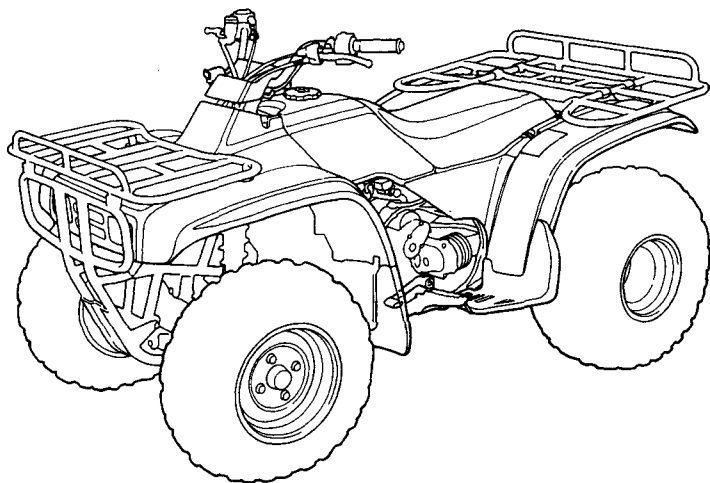


**1995
TRX 300**

**HONDA FOURTRAX 300
OWNER'S MANUAL**



FOR OFF-ROAD USE ONLY

This vehicle is designed and manufactured for off-road use only. It conforms to US EPA Noise Emission regulations, but does not conform to Federal Motor Vehicle Safety Standards or US EPA Exhaust Emission regulations, and operation on public streets, roads, or highways is illegal. The vehicle is equipped with a USDA qualified spark arrester. Obey local laws and regulations.

PREFACE

Thank you for buying a Honda FOURTRAX. Honda takes pride in a worldwide reputation for quality—in research, design, production and service. Quality is the hallmark of all Honda products and one reason why Honda is the leading manufacturer of ATVs.

To get the best service from your FOURTRAX, we recommend that during the first few days you operate your vehicle so the engine does not labor or approach maximum rpm in any gear. Avoid full throttle operation, and shift gears frequently to vary engine speed. Careful break-in procedures will extend the service life of your engine.

For replacement parts and accessories, we recommend genuine Honda products. They've been specially designed for your vehicle and manufactured to meet Honda's demanding standards.

This manual contains a Maintenance Schedule and information on basic maintenance procedures. If you have the required skills and tools, your Honda dealer can supply you with an Official Honda Service Manual to help you perform more advanced maintenance and repairs. When you need service, remember that your Honda dealer knows your vehicle best and is interested in your complete satisfaction.

We wish you many years of safe and enjoyable riding.

While reading this manual, remember:

WARNING

Indicates a strong possibility that serious injury or death may result if instructions are not followed.

All information in this publication is based on the latest product information available at the time of approval for printing. Honda Motor Co., Ltd. reserves the right to make changes at any time without notice and without incurring any obligation.

© Honda Motor Co., Ltd. 1994. No part of this publication may be reproduced without written permission from Honda Motor Co., Ltd.

CONTENTS

	Page
FOURTRAX SAFETY	1
Special Safety Messages	1
Warning Information	6
PARTS LOCATION AND OPERATION	10
Parts Location	10
Parts Operation	13
Power Controls	13
Lights	20
Gearshift Controls	23
Brake Controls	25
Fuel Tank Controls	26
Engine Oil	28
Additional Features	29
RIDING YOUR FOURTRAX	34
Before Riding	34
Rider Preparation	34
Vehicle Preparation	36
Safe Riding Rules	44
Riding	56
Starting the Engine	57
Shifting Gears	59
Riding in Reverse	60
Making Turns	62
Riding Up Hills	65
Riding Down Hills	72
Crossing Slopes	74
Making Turns on Slopes	75
Riding Over Obstacles	76
Riding Through Water	77
Parking	78

(cont'd)

CONTENTS (cont'd)

MAINTENANCE AND REPAIRS	79
Maintenance Schedule	79
Maintenance Precautions	80
Tool Kit	82
Fuel System	84
Lubrication	98
Engine	104
Electrical System	108
Brakes	113
Wheels and Tires	124
Seat Removal	129
Skid Plates	130
Spark Arrester	132
TRANSPORTING YOUR FOURTRAX	134
STORING YOUR FOURTRAX	137
SPECIFICATIONS	140
WIRING DIAGRAM	142
CONSUMER INFORMATION	143
WARRANTY SERVICE	144
SERIAL NUMBERS	145
INDEX	146
SERVICE MANUALS	151

FOURTRAX SAFETY

SPECIAL SAFETY MESSAGES

AN ATV IS NOT A TOY AND CAN BE HAZARDOUS TO OPERATE.

An ATV handles differently from other vehicles including motorcycles and cars. A collision or rollover can occur quickly, even during routine maneuvers such as turning and driving on hills or over obstacles, if you fail to take proper precautions.

SEVERE INJURY OR DEATH can result if you do not follow these instructions:

- * Read this manual and all labels carefully and follow the operating procedures described.
- * Never operate an ATV without proper instruction.
Take a training course. Beginners should receive training from a certified instructor. Contact an authorized ATV dealer or call 1—800—447—4700 to find out about the training courses nearest you.
- * Always follow this age recommendation: A child under 16 years old should never operate an ATV with engine size greater than 90 cc.
- * Never allow a child under age 16 to operate an ATV without adult supervision, and never allow continued use of an ATV by a child if he or she does not have the abilities to operate it safely.

- * Never carry a passenger on an ATV.
- * Never operate an ATV on any paved surfaces, including sidewalks, driveways, parking lots and streets.
- * Never operate an ATV on any public street, road or highway, even a dirt or gravel one.
- * Never operate an ATV without wearing an approved motorcycle helmet that fits properly. You should also wear eye protection (goggles or face shield), gloves, boots, long-sleeved shirt or jacket, and long pants.
- * Never consume alcohol or drugs before or while operating this ATV.
- * Never operate at excessive speeds. Always go at a speed that is proper for the terrain, visibility, and operating conditions, and your experience.
- * Never attempt wheelies, jumps, or other stunts.
- * Always inspect your ATV each time you use it to make sure it is in safe operating condition. Always follow the inspection and maintenance procedures and schedules described in this manual.
- * Always keep both hands on the handlebars and both feet on the footpegs of the ATV during operation.

- * Always go slowly and be extra careful when operating on unfamiliar terrain. Always be alert to changing terrain conditions when operating the ATV.
- * Never operate on excessively rough, slippery or loose terrain until you have learned and practiced the skills necessary to control the ATV on such terrain. Always be especially cautious on these kinds of terrain.
- * Always follow proper procedures for turning as described in this manual. Practice turning at low speeds before attempting to turn at faster speeds. Do not turn at excessive speed.
- * Never operate the ATV on hills too steep for the ATV or for your abilities. Practice on smaller hills before attempting larger hills.
- * Always follow proper procedures for climbing hills as described in this manual. Check the terrain carefully before you start up any hill. Never climb hills with excessively slippery or loose surfaces. Shift your weight forward. Never open the throttle suddenly or make sudden gear changes. Never go over the top of any hill at high speed.
- * Always follow proper procedures for going down hills and for braking on hills as described in this manual. Check the terrain carefully before you start down any hill. Shift your weight backward. Never go down a hill at high speed. Avoid going down a hill at an angle that would cause the vehicle to lean sharply to one side. Go straight down the hill where possible.

- * Always follow proper procedures for crossing the side of a hill as described in this manual. Avoid hills with excessively slippery or loose surfaces. Shift your weight to the uphill side of the ATV. Never attempt to turn the ATV around on any hill until you have mastered the turning technique described in this manual on level ground. Avoid crossing the side of a steep hill if possible.
- * Always use proper procedures if you stall or roll backwards when climbing a hill. To avoid stalling, use the proper gear and maintain a steady speed when climbing a hill. If you stall or roll backwards, follow the special procedure for braking described in this manual. Dismount and follow the procedures provided in this manual.
- * Always check for obstacles before operating in a new area. Never attempt to operate over large obstacles, such as large rocks or fallen trees. Always follow proper procedures when operating over obstacles as described in this manual.
- * Always be careful when skidding or sliding. Learn to safely control skidding or sliding by practicing at low speeds and on level, smooth terrain. On extremely slippery surfaces, such as ice, go slowly and be very cautious in order to reduce the chance of skidding out of control.

- * Never operate an ATV in fast flowing water or in water deeper than that specified in this manual. Remember that wet brakes may have reduced stopping ability. Test your brakes after leaving water. If necessary, apply them several times to let friction dry out the linings.
- * Always be sure there are no obstacles or people behind you when you operate in reverse. When it is safe to proceed in reverse, go slowly.
- * Always use the size and type tires specified in this manual. Always maintain proper tire pressure as described in this manual.
- * Never modify an ATV through improper installation or use of accessories.
- * Never exceed the stated load limits for an ATV. Cargo should be properly distributed and securely attached. Reduce speed and follow instructions in this manual for carrying cargo or pulling a trailer. Allow greater distance for braking.

FOR MORE INFORMATION ABOUT ATV SAFETY, call the Consumer Product Safety Commission at 1—800—638—2772, or the ATV Distributors' Safety Hotline at 1—800—852—5344.

WARNING INFORMATION

Your FOURTRAX comes with a hang tag and several labels containing important safety information. Anyone who rides the vehicle should read and understand this information before riding.

The labels should be considered as permanent parts of the vehicle. If a label comes off or becomes hard to read, contact your Honda dealer for replacements.

⚠ WARNING

THIS VEHICLE CAN BE HAZARDOUS TO OPERATE. A collision or rollover can occur quickly, even during routine maneuvers such as turning and driving on hills or over obstacles, if you fail to take proper precautions.

SEVERE INJURY OR DEATH can result if you do not follow these instructions:

- **BEFORE YOU OPERATE THIS ATV, READ THE OWNER'S MANUAL AND ALL LABELS.**
- **NEVER OPERATE THIS ATV WITHOUT PROPER INSTRUCTION.** Beginners should complete a certified training course.
- **NEVER CARRY A PASSENGER.** You increase your risk of losing control if you carry a passenger.
- **NEVER OPERATE THIS ATV ON PAVED SURFACES.** You increase your risk of losing control if you operate this ATV on pavement.
- **NEVER OPERATE THIS ATV ON PUBLIC ROADS.** You can collide with another vehicle if you operate this ATV on a public road.
- **ALWAYS WEAR AN APPROVED MOTORCYCLE HELMET,** eye protection, and protective clothing.
- **NEVER CONSUME ALCOHOL OR DRUGS** before or while operating this ATV.
- **NEVER OPERATE THIS ATV AT EXCESSIVE SPEEDS.** You increase your risk of losing control if you operate this ATV at speeds too fast for the terrain, visibility conditions, or your experience.
- **NEVER ATTEMPT WHEELIES, JUMPS, OR OTHER STUNTS.**

U UTILITY MODEL

**THIS ATV IS FOR
UTILITY USE**

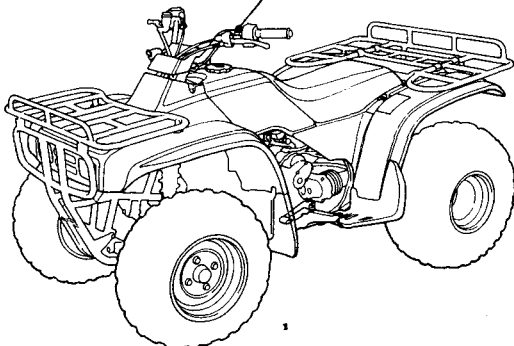
**OPERATOR ONLY-NO PASSENGERS
NO OPERATOR UNDER AGE 16**

THIS CATEGORY U (UTILITY) ATV IS FOR OFF ROAD USE ONLY. IT IS MAINLY FOR UTILITY USE BUT IT MAY ALSO BE USED FOR GENERAL RECREATION.

TRAINING COURSES TO TEACH ATV RIDING SKILLS ARE AVAILABLE. FOR INFORMATION CONTACT YOUR DEALER.

CHECK WITH YOUR DEALER TO FIND OUT ABOUT STATE OR LOCAL LAWS REGARDING ATV OPERATION

THIS HANGTAG IS NOT TO BE REMOVED BEFORE SALE

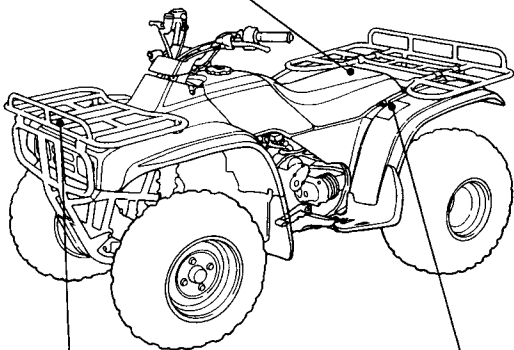


⚠ WARNING

Riding as a passenger can cause the ATV to go out of control.

Loss of control can cause a collision or rollover, which can result in severe injury or death.

NEVER ride as a passenger.



⚠ WARNING

Overloading this ATV or carrying cargo improperly can change handling, stability, and braking performance and can lead to an accident.

Never exceed the maximum front cargo limit of: **66 lbs (30 kg)**.

Refer to instructions in the Owner's Manual.

⚠ WARNING

Improper tire pressure or overloading can cause loss of control.

Loss of control can result in severe injury or death.

● Cold tire pressure :

Front : **2.9 ± 0.4 psi 0.20 ± 0.03 kg/cm²**

Rear : **2.9 ± 0.4 psi 0.20 ± 0.03 kg/cm²**

● Maximum weight capacity: **460 lbs. (210 kg)**

⚠ WARNING



Operating this ATV if you are under the age of 16 increases your chance of severe injury or death.

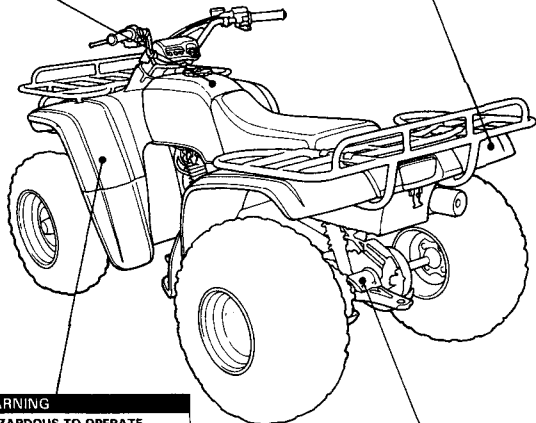
NEVER operate this ATV if you are under age 16.

⚠ WARNING

Overloading this ATV or carrying cargo improperly can change handling, stability, and braking performance and can lead to an accident.

Never exceed the maximum rear cargo limit (combined weight on the rear rack and in the storage area) of: **133 lbs (60 kg)**.

Refer to instructions in the Owner's Manual.



⚠ WARNING

THIS VEHICLE CAN BE HAZARDOUS TO OPERATE. A collision or rollover can occur quickly, even during routine maneuvers such as turning and driving on hills or over obstacles, if you fail to take proper precautions.

SEVERE INJURY OR DEATH can result if you do not follow these instructions:

- **BEFORE YOU OPERATE THIS ATV, READ THE OWNER'S MANUAL AND ALL LABELS.**
- **NEVER OPERATE THIS ATV WITHOUT PROPER INSTRUCTION.** Beginners should complete a certified training course.
- **NEVER CARRY A PASSENGER.** You increase your risk of losing control if you carry a passenger.
- **NEVER OPERATE THIS ATV ON PAVED SURFACES.** You increase your risk of losing control if you operate this ATV on pavement.
- **NEVER OPERATE THIS ATV ON PUBLIC ROADS.** You can collide with another vehicle if you operate this ATV on a public road.
- **ALWAYS WEAR AN APPROVED MOTORCYCLE HELMET,** eye protection, and protective clothing.
- **NEVER CONSUME ALCOHOL OR DRUGS** before or while operating this ATV.
- **NEVER OPERATE THIS ATV AT EXCESSIVE SPEEDS.** You increase your risk of losing control if you operate this ATV at speeds too fast for the terrain, visibility conditions, or your experience.
- **NEVER ATTEMPT WHEELIES, JUMPS, OR OTHER STUNTS.**

⚠ WARNING

Towing an improperly loaded trailer can cause loss of control.

- Read owner's manual.
- Tow weight limit : **850 lbs (385 kg)**
- Tongue weight : **30 lbs (14 kg)**

PARTS LOCATION AND OPERATION

PARTS LOCATION

- (1) Rear brake lever
Parking brake
- (2) Reverse selector knob
- (3) Headlight switches
Engine stop switch
Starter button
Choke lever
- (4) Reverse indicator lamp
Neutral indicator lamp
Oil high temperature indicator lamp
- (5) Ignition switch
- (6) Throttle lever
- (7) Front brake lever

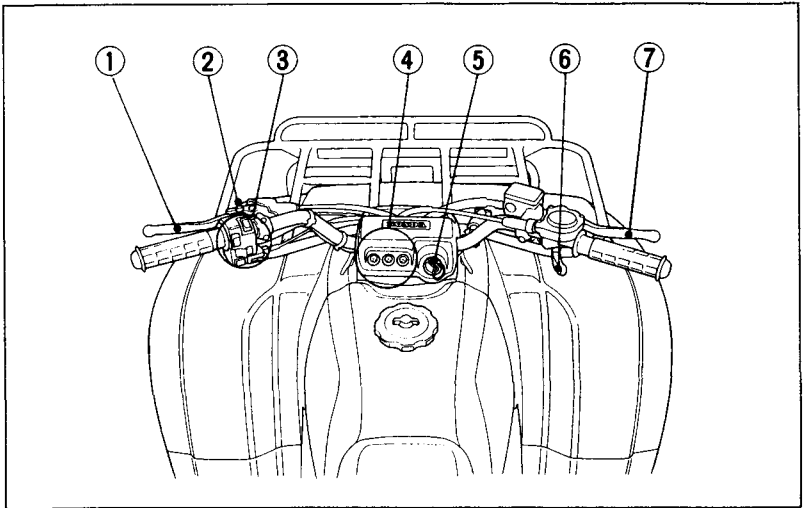


Fig. 2-1

Handlebars, from rider's point of view

- (8) Rear cargo rack
- (9) Flag pole bracket
- (10) Fuel tank cap
- (11) 12V DC receptacle and special plug
- (12) Front cargo rack
- (13) Kick starter (behind the right side cover)
- (14) Oil filler cap/dipstick
- (15) Right footpeg
- (16) Rear brake pedal
- (17) Headlights

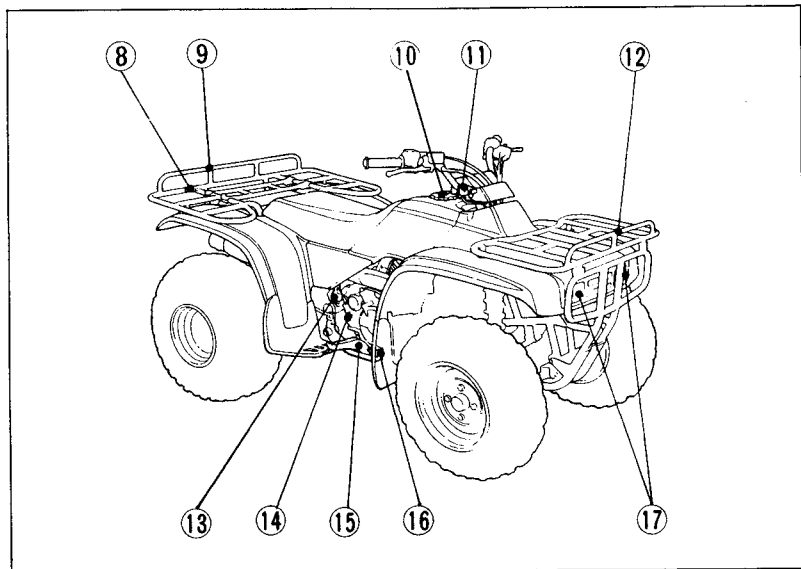


Fig. 2-2

Right side of FOURTRAX

- (18) Helmet holder
- (19) Storage compartment, containing:
 - Tool kit
 - Air pressure gauge
 - Owner's manual
- (20) Fuel valve
- (21) Gearshift pedal
- (22) Starting primer knob
- (23) Left footpeg
- (24) Trailer hitch

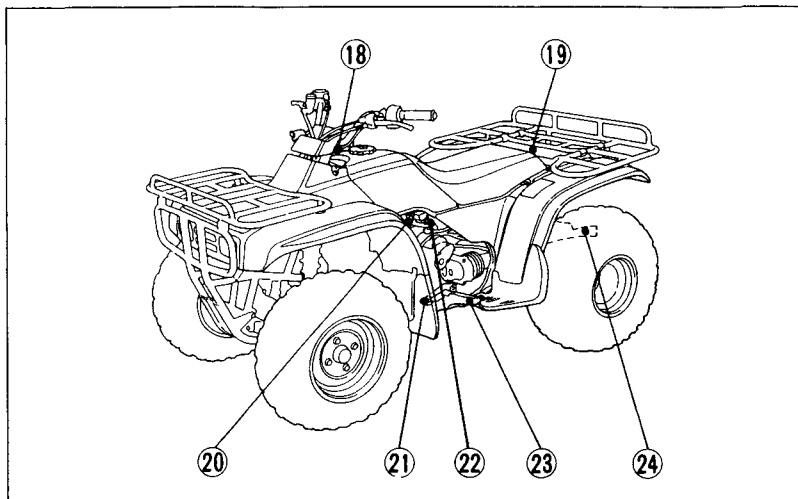


Fig. 2-3

Left side of FOURTRAX

PARTS OPERATION

POWER CONTROLS

Ignition Switch

The ignition switch (Fig. 2-4) is in the center of the handlebars directly in front of the seat.

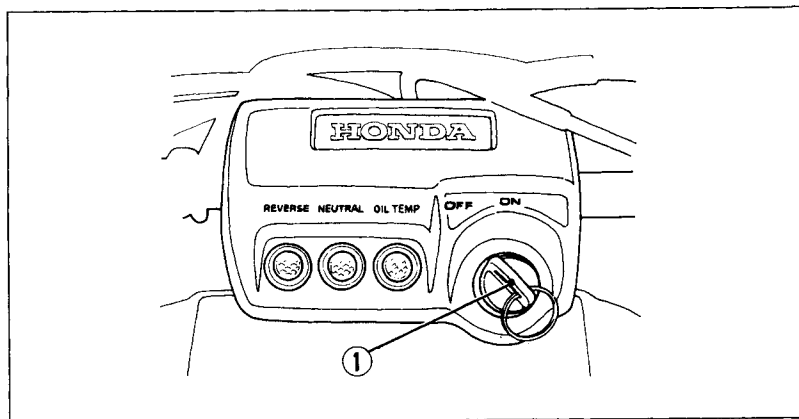


Fig. 2-4

(1) Ignition switch

Key Position	Function	Key Removal
OFF	The engine and headlights cannot be operated.	The key can be removed.
ON	The headlights can be turned on. With the engine stop switch at RUN and the transmission in neutral, the engine can be started.	The key cannot be removed.

Engine Stop Switch

The engine stop switch (Fig. 2-5) is next to the left handgrip, and it has three positions. When the switch is in the RUN position, the engine will operate. When the switch is in either OFF position, the engine will not operate.

This switch is intended primarily as a safety or emergency control, and it should normally remain in the RUN position.

NOTE:

If you stop your FOURTRAX by turning the engine stop switch OFF, be sure to turn the ignition switch OFF to prevent battery discharge.

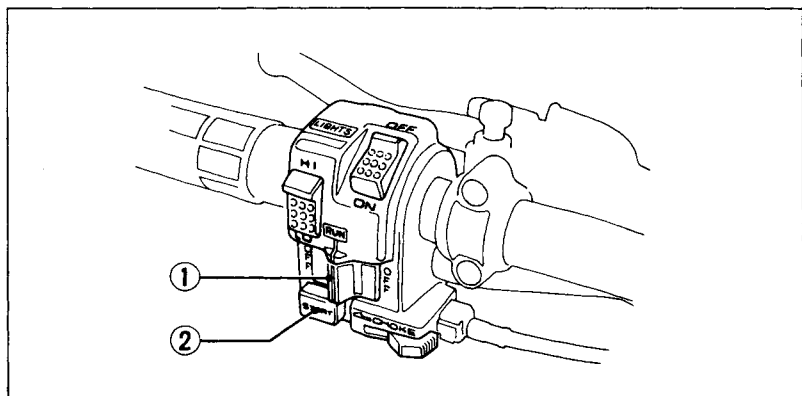


Fig. 2-5 (1) Engine stop switch (2) Starter button

Choke Lever

The choke lever (Fig. 2-6) is next to the starter button. The choke has three positions: full choke (A), half choke (B), and off (C).

To start a cold engine when air temperature is 50—90°F (10—35°C), move the choke lever left to the half choke position before pressing the starter button. At colder air temperatures, set the choke at the full choke position before pressing the starter button. As the engine warms, move the lever to the half choke position. After the engine is warm, move the choke right to the off position.

CAUTION:

Extended use of the choke may impair piston and cylinder wall lubrication and shorten the life of the engine.

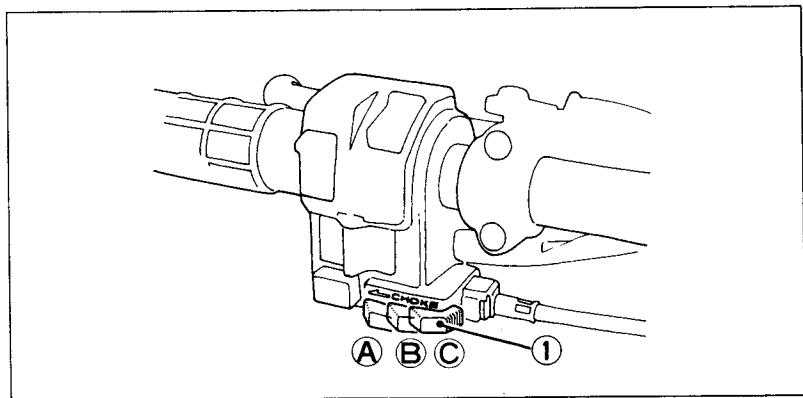


Fig. 2-6

(1) Choke lever

(A) Full choke position

(B) Half choke position

(C) Off position

Starting Primer Knob

The starting primer knob (Fig. 2-7) is on the carburetor float bowl on the left side of the FOURTRAX. To start the engine when air temperature is below 5°F (-15°C), push the knob in once or twice before pressing the starter button.

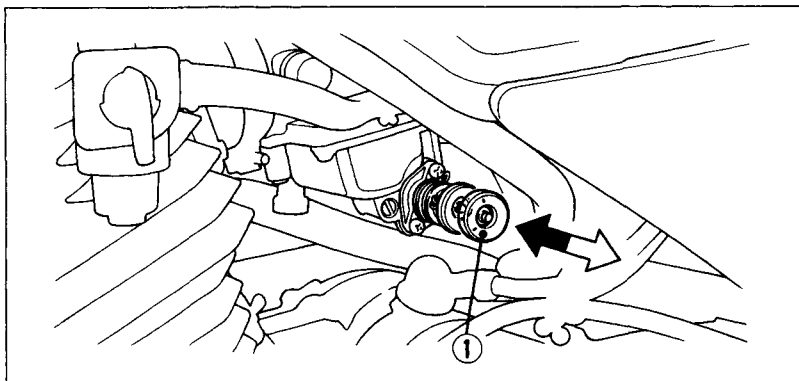


Fig. 2-7

(1) Starting primer knob

Starter Button

The starter button (Fig. 2-8) is below the engine stop switch. To start the engine, press the starter button (1), with the transmission in neutral, the ignition switch ON and the engine stop switch at RUN.

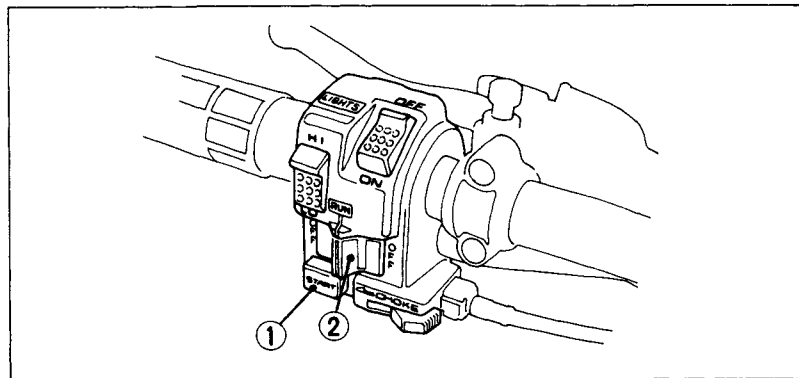


Fig. 2-8

(1) Starter button

(2) Engine stop switch

Kick Starter

The kick starter (Fig. 2-9) is on the right side of the FOURTRAX. It is used to start the engine when the battery is low. To operate the kick starter:

1. Unsnap and remove the right side cover (2).
2. Rotate the kick starter (1) outward.

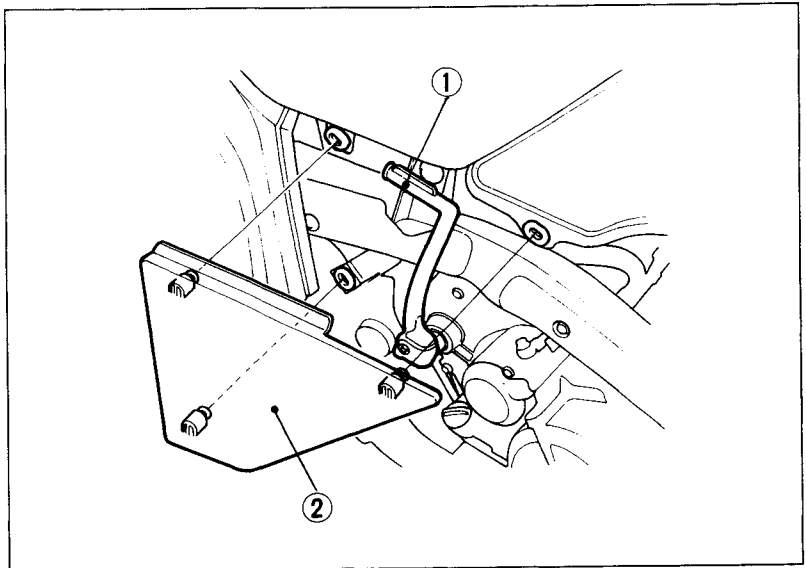


Fig. 2-9

(1) Kick starter

(2) Right side cover

3. If the engine is cold, move the choke lever left to the full choke position (see Fig. 2-6).
4. Raise the decompression lever (Fig. 2-10), located on the right side of the engine, to the "Decomp" position (2).
5. Put your foot on the kick starter and depress the pedal from the top of the stroke all the way to the bottom with a rapid, continuous motion. The decompression lever will automatically return to the lowered position.

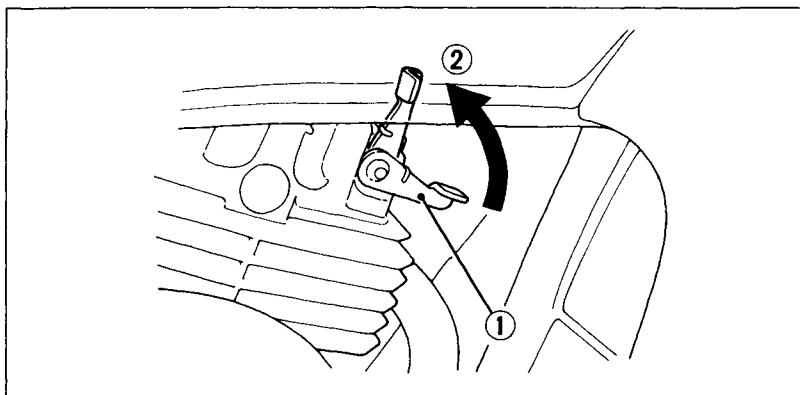


Fig. 2-10 (1) Decompression lever (2) "Decomp" position

Throttle Lever

The throttle lever (Fig. 2-11) is next to the right handgrip, and it is operated by the thumb. Pressing the lever opens the throttle. When pressure is released, spring tension automatically closes the throttle.

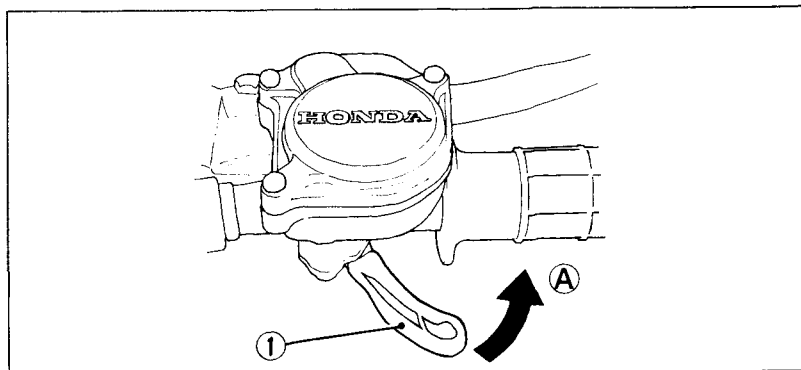


Fig. 2-11

- (1) Throttle lever
- (A) To open the throttle

LIGHTS

Headlight and Dimmer Switches

The headlight and dimmer switches (Fig. 2-12) are above the engine stop switch, next to the left handgrip.

Turning the headlight switch (1) ON turns the headlights on. Use the dimmer switch (2) to select either high beam (HI) or low beam (LO).

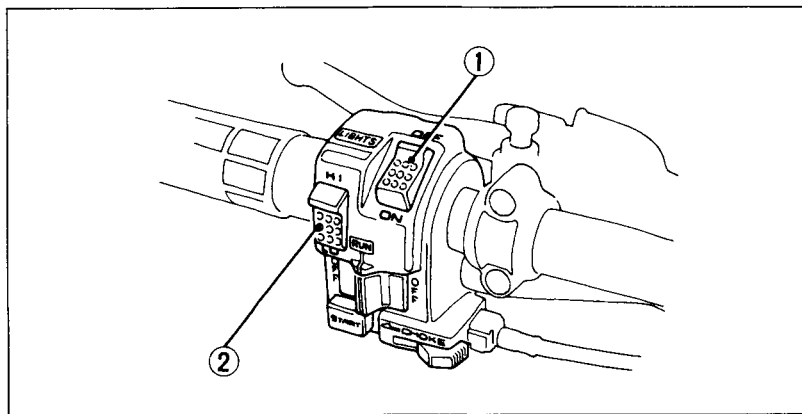


Fig. 2-12 (1) Headlight switch (2) Dimmer switch

Oil High Temperature indicator Lamp

If the engine oil gets too hot, the oil high temperature indicator lamp (Fig. 2-13) will light.

NOTE:

The oil high temperature indicator lamp should come on when the ignition switch is turned ON. This is not a problem. The light should go off a few seconds after the engine is started.

CAUTION:

If the light does not come on with ignition switch ON: check the bulb and replace it if it is burned out.

Contact your authorized Honda dealer for assistance if you cannot correct the problem.

If the oil high temperature indicator lamp comes on while you are riding, immediately bring the vehicle to a stop, turn the engine off and let it cool.

CAUTION:

- * **Failure to stop the engine immediately after the oil high temperature indicator lamp comes on will adversely affect the service life of the engine.**
- * **Do not carry or store articles on the front bumper. This may restrict air flow through the engine, causing it to overheat.**

If the oil high temperature indicator lamp comes on often, have your FOURTRAX inspected by your Honda dealer. To provide more air flow under adverse conditions, a heavy duty cooling fan is available as an optional part.

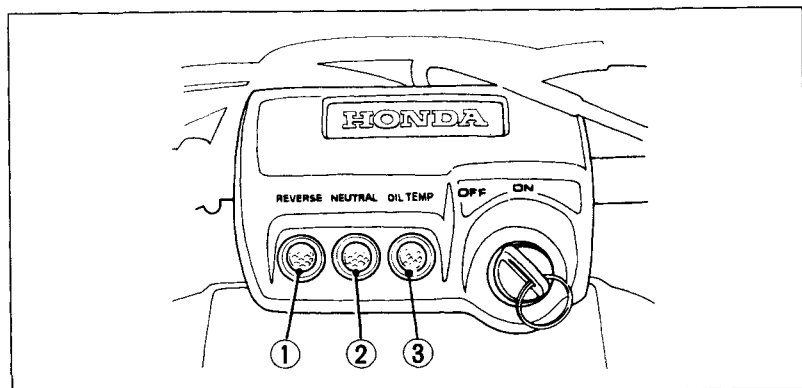


Fig. 2-13

- (1) Reverse indicator lamp
- (2) Neutral indicator lamp
- (3) Oil high temperature indicator lamp

Reverse and Neutral Indicator Lamps

The reverse indicator lamp and the neutral indicator lamp (Fig. 2-13) are next to the ignition switch.

The reverse indicator lamp will light when the transmission is in reverse and the ignition switch is ON. The neutral indicator lamp will light when the transmission is in neutral and the ignition switch is ON.

GEARSHIFT CONTROLS

Gearshift Pedal

The gearshift pedal is near the left footpeg. One full stroke of the pedal shifts the transmission to the next higher or lower gear in the shifting sequence (Fig. 2-14). The pedal automatically returns to the horizontal position when released.

Your FOURTRAX has five forward gears (SL, 1, 2, 3 and 4). To upshift to a higher gear, put the toe of your boot under the gearshift pedal and raise the pedal one full stroke. To downshift, step on the gearshift pedal and depress the pedal one full stroke. (For further operational instructions, see pages 59—60.)

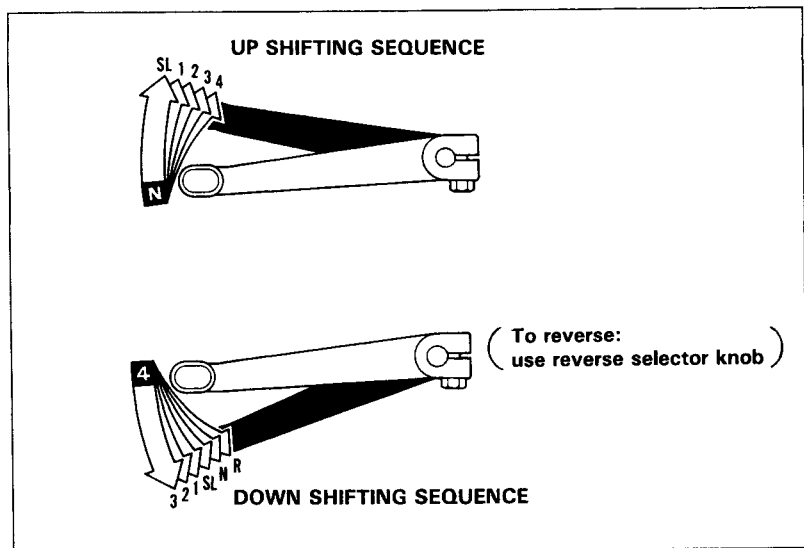


Fig. 2-14

Gearshifting sequence

Reverse Selector Knob

The reverse selector knob (Fig. 2-15) is on the rear brake lever.

To shift into reverse, first bring the FOURTRAX to a complete stop and make sure the transmission is in neutral. While pushing the reverse selector knob (1) in, squeeze the rear brake lever (2), then depress the gearshift pedal.

CAUTION:

Bring the FOURTRAX to a complete stop before shifting the transmission into reverse. If the transmission is shifted into reverse while the vehicle is moving, the transmission will be damaged.

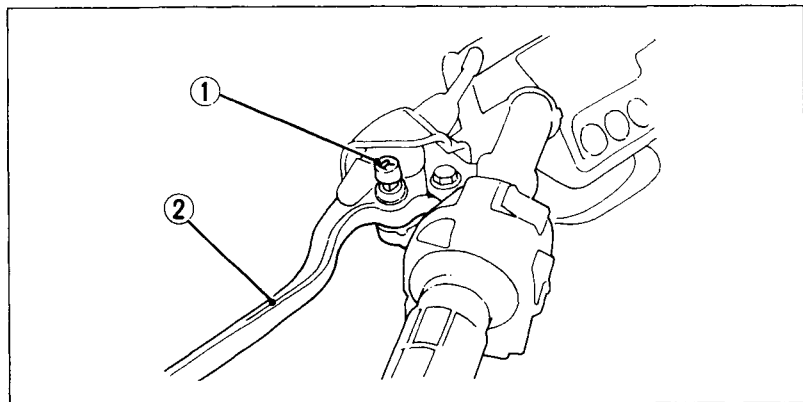


Fig. 2-15

- (1) Reverse selector knob
- (2) Rear brake lever

BRAKE CONTROLS

Front Brakes

The front brakes are operated by squeezing the front brake lever, near the right handgrip.

Rear Brake

The rear brake is operated either by depressing the brake pedal or by squeezing the rear brake lever (Fig. 2-16).

Parking Brake

The rear brake lever has a lock which allows it to be used as a parking brake.

To set the parking brake, squeeze the rear brake lever (1) and lock it with the lock lever (2). Always set the parking brake when parking and before starting the engine.

To unlock the parking brake, squeeze the rear brake lever (1) until the lock lever releases.

NOTE:

Using the parking brake in freezing weather may cause the brakes to freeze in the locked position.

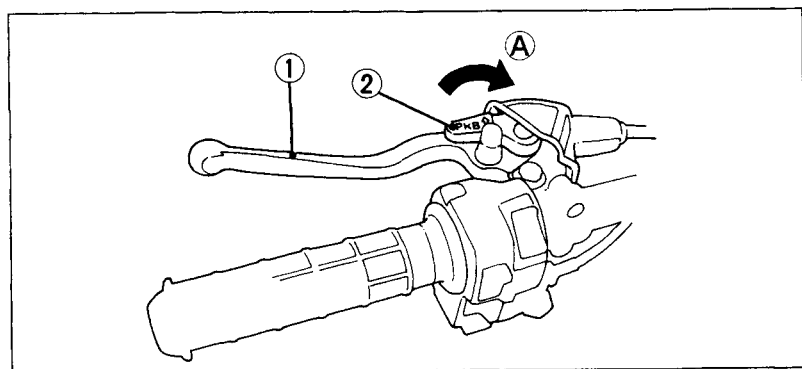


Fig. 2-16 (1) Rear brake lever/Parking brake (2) Lock lever (A) To lock

FUEL TANK CONTROLS

Fuel Fill Cap

The fuel fill cap (Fig. 2-17) has a fuel cap vent lever (2) with ON and OFF positions. The lever should be turned to ON to allow fuel to flow when running the engine. Turn the vent lever to OFF to prevent fuel from flowing out the vent hole when transporting the FOURTRAX.

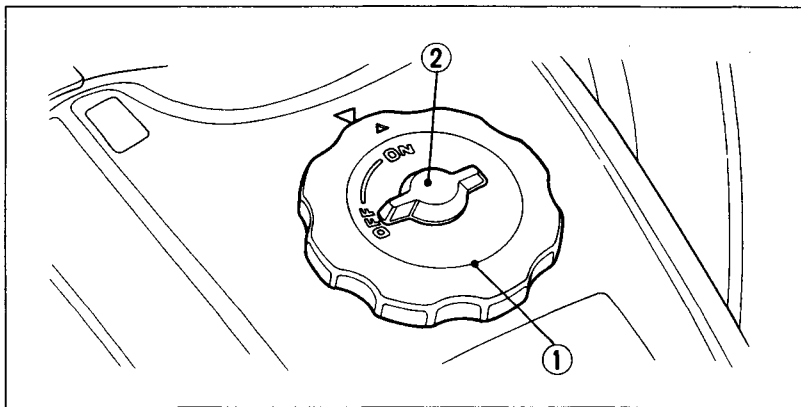


Fig. 2-17 (1) Fuel fill cap (2) Fuel cap vent lever

Fuel Valve

The fuel valve (Fig. 2-18) is on the left side of the fuel tank, and it has three positions:

OFF

When the fuel valve is in the OFF position, fuel cannot flow to the carburetor. Turn the valve OFF whenever the FOURTRAX is not in use.

ON

When the fuel valve is in the ON position, fuel will flow from the main fuel supply to the carburetor.

RES

When the fuel valve is in the RES position, fuel will flow from the reserve fuel supply to the carburetor. Use the reserve fuel only when the main supply is gone.

Refill the tank as soon as possible after switching to RES. The reserve fuel supply is 0.7 gal (2.5 ℓ).

NOTE:

After refueling, do not operate the FOURTRAX with the fuel valve in the RES position. If you run out of fuel, there will be no reserve supply.

For gasoline recommendations and refueling instructions, see pages 84—87.

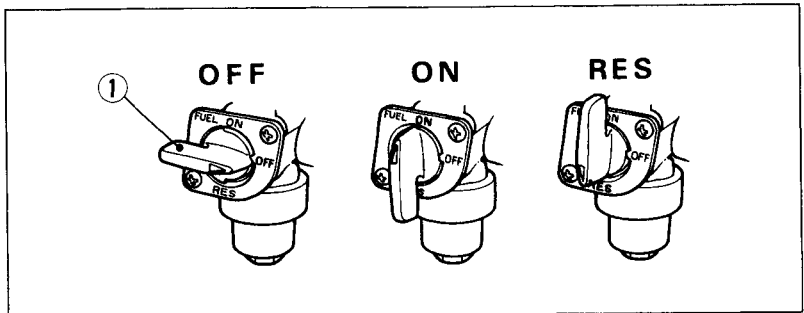


Fig. 2-18

(1) Fuel valve

ENGINE OIL

Oil Filler Cap/Dipstick

The oil filler cap/dipstick (Fig. 2-19), on the right crankcase cover, is used to measure the oil level. The oil should be checked each day before operating the FOURTRAX and maintained between the upper level mark (2) and the lower level mark (3).

For oil recommendations and instructions on checking, adding and changing oil, see pages 98—102.

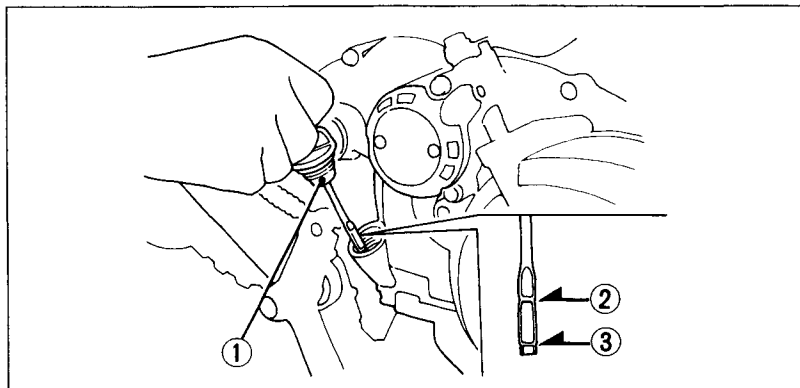


Fig. 2-19

(1) Oil filler cap/dipstick

(2) Upper level mark

(3) Lower level mark

While reading this manual, remember:

▲ WARNING

Indicates a strong possibility that serious injury or death may result if instructions are not followed.

ADDITIONAL FEATURES

Helmet Holder

The helmet holder (Fig. 2-20) is a bracket near the left side of the handlebar cover (1). To use the holder, hang the D-ring on your helmet strap over the bracket. Use the helmet holder only when the FOURTRAX is parked.

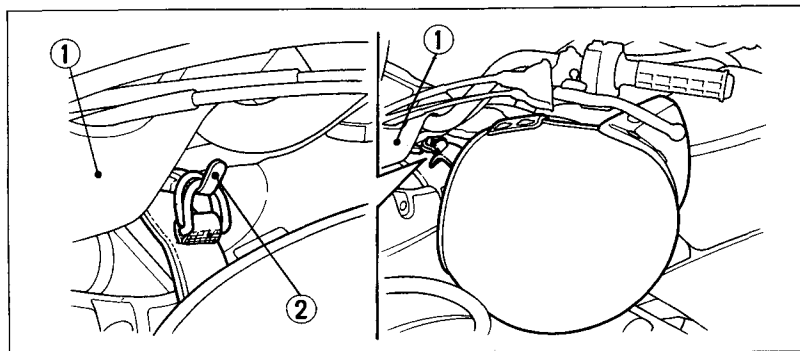


Fig. 2-20

- (1) Handlebar cover
- (2) Helmet holder

▲ WARNING

POTENTIAL HAZARD

Operating this ATV with a helmet attached to the helmet holder.

WHAT CAN HAPPEN

Can impair your ability to steer the vehicle.

HOW TO AVOID THE HAZARD

Never ride this ATV with a helmet attached to the helmet holder.
Use the helmet holder only while the ATV is parked.

Flag Pole Bracket

The flag pole bracket (Fig. 2-21) is on the rear cargo rack. Flag poles are optional equipment available from your Honda dealer. To mount a pole in the bracket, follow the instructions that come with the flag pole kit.

NOTE:

Flag poles are required in some riding areas. Check local regulations before riding.

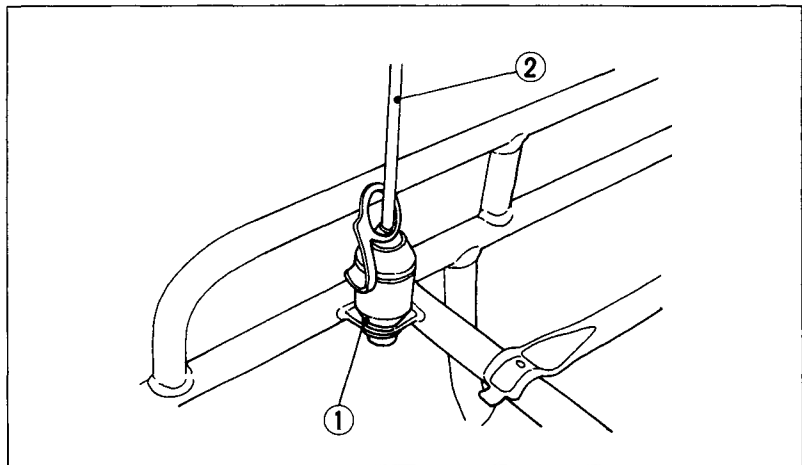


Fig. 2-21 (1) Flag pole bracket (2) An example flag pole

Trailer Hitch

The trailer hitch is located on the rear axle housing. As illustrated in Fig. 2-22, to use the hitch, you'll need a proper size ball as specified by the trailer manufacturer.

To attach the ball and properly hook up a trailer, follow the trailer manufacturer's instructions. For load limits and operational guidelines, see pages 39—41.

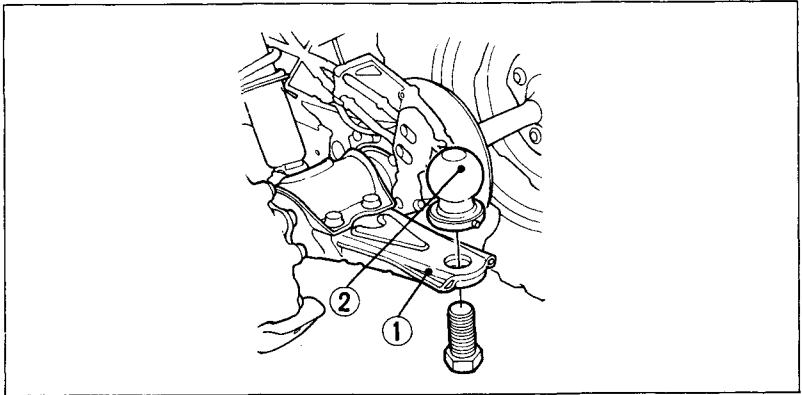


Fig. 2-22

(1) Trailer hitch

(2) An example ball

Storage Compartment

The storage compartment (Fig. 2-23) is behind the seat. To open the compartment, unhook the rubber straps (3) and lift the rear rack (4). The owner's manual (5), tool kit (6), and air pressure gauge (7) should be stored in the storage compartment.

Be careful not to flood this area when washing your FOURTRAX.

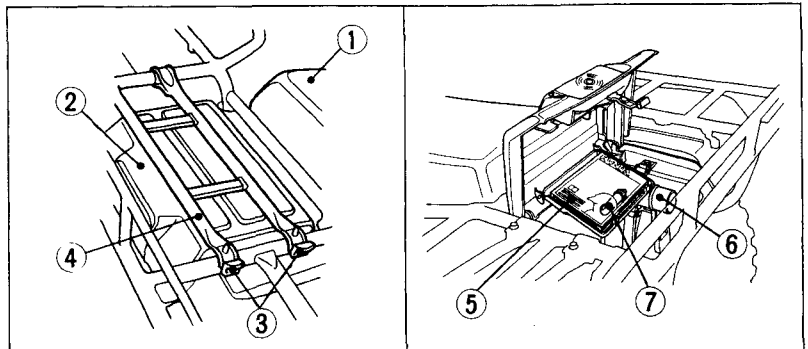


Fig. 2-23

(1) Seat

(2) Storage compartment

(3) Rubber straps

(4) Rear rack

(5) Owner's manual

(6) Tool kit

(7) Air pressure gauge

12 V DC Power Supply

The DC receptacle (1) (Fig. 2-24) is attached to the right handlebar, near the handlebar cover (2). The receptacle provides 12 V DC power at a maximum of 180 watts (15 amps). If you exceed this limit, you may blow the fuse. (For information on fuses, and how to replace a fuse, see pages 111—112.)

NOTE:

If your FOURTRAX is equipped with an optional cooling fan, the receptacle provides 12 V DC power at a maximum of 120 watts (10 amps).

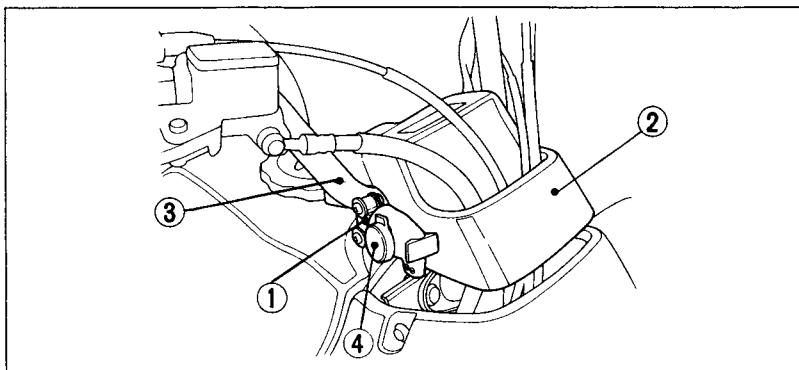


Fig. 2-24

(1) 12 V DC receptacle

(2) Handlebar cover

(3) Right handlebar

(4) Special DC plug

Electrical accessories may be connected to the receptacle by using the special DC plug (4) (Fig. 2-24) that comes attached to the receptacle. Be sure to use only accessories that are designed for 12 V DC power.

To wire the special DC plug to an accessory:

1. Remove the plug (4) from the receptacle (1) (Fig. 2-24).
2. Remove the plug cover (2) from the plug (Fig. 2-25).
3. Thread the positive and negative accessory leads through the plug cover as indicated in Fig. 2-25.
4. Attach the leads to the plug (1). Make sure to connect the positive lead (3) and the negative lead (4) to the proper terminals (Fig. 2-25).

NOTE:

Use AWG18-AWG20 electrical wire for attaching an accessory to the special plug. Make sure the accessory leads are properly insulated, and keep them away from hot engine parts and sharp edges.

CAUTION:

Use of an improper wire size may damage the system.

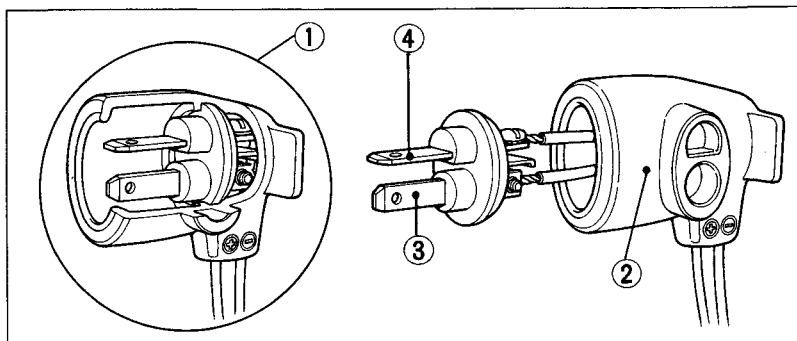


Fig. 2-25

(1) Special DC plug

(2) Plug cover

(3) Positive lead

(4) Negative lead

5. Replace the plug cover.

6. With the ignition switch OFF, insert the plug into the receptacle. Be careful not to twist the accessory leads. Make sure the leads extend from the bottom of the plug.

CAUTION:

To avoid possible damage to electrical components, make sure the ignition switch is OFF when inserting or removing the special DC plug.

When the receptacle is not being used, cover it with the rubber cap attached to the receptacle to keep out dust, water and sand.

RIDING YOUR FOURTRAX

This part of the Owner's Manual discusses how to ride your FOURTRAX safely. Please review the special safety messages on pages 1—5. While reading this manual, remember:



Indicates a strong possibility that serious injury or death may result if instructions are not followed.

BEFORE RIDING

You need to be prepared before riding. This includes getting proper instruction, making sure your FOURTRAX is in good operating condition, and learning some basic safe-riding rules.

RIDER PREPARATION

Age Recommendation

The minimum recommended age for this FOURTRAX model is 16. For safety, never let children under 16 years old operate this vehicle.

▲ WARNING

POTENTIAL HAZARD

Failure to follow the age recommendation for this ATV.

WHAT CAN HAPPEN

If children use ATVs that are not recommended for their age, severe injury or death can result.

Even though a child may be within the age group for which an ATV is recommended, he or she may not have the skills, abilities, or judgment needed to operate the ATV safely and may be involved in a serious accident.

HOW TO AVOID THE HAZARD

A child under 16 should never operate an ATV with engine size greater than 90 cc.

Rider Training

Beginning and inexperienced riders should get proper instruction on how to operate this FOURTRAX safely. A hands-on rider training course is available in your area. For information, contact your Honda dealer.

▲ WARNING

POTENTIAL HAZARD

Operating this ATV without proper instruction.

WHAT CAN HAPPEN

The risk of an accident is greatly increased if the operator does not know how to operate the ATV properly in different situations and on different types of terrain.

HOW TO AVOID THE HAZARD

Beginning and inexperienced operators should complete the certified training course offered by Honda. They should then regularly practice the skills learned in the course and the operating techniques described in this Owner's Manual.

For more information about the training course, contact an authorized Honda dealer or call 1-800-447-4700.

VEHICLE PREPARATION

Pre-Ride Inspection

Inspect your FOURTRAX every day before you ride it. Checking the items below will take only a few minutes, and in the long run, they can save time, expense, and possibly your life.

1. **Engine oil level.** Check the oil level and add oil if required (pages 98—102). Check for leaks.

2. **Fuel level.** Fill the fuel tank when necessary (pages 84—87). Check for leaks.
3. **Brakes.** Check operation. Make sure there is no brake fluid leakage. If necessary, adjust free play (pages 113—123).
4. **Tires.** Check condition and pressure (pages 125—127).
5. **Throttle.** Check for smooth opening and closing in all steering positions.
6. **Headlight and headlight dimmer switches.** Check for proper function (page 20).
7. **Engine stop switch.** Check for proper function (page 14).
8. **Nuts, bolts, fasteners.** Check the wheels to see that the axle nuts are tightened. Check the security of all other nuts, bolts and fasteners.
9. **Steering.** Check that the wheels turn properly as you steer the handlebars.
10. **Cargo.** Check that all cargo is properly secured.
11. **Underbody and exhaust system.** Check for, and remove, any dirt, vegetation or other debris that could be a fire hazard or interfere with the proper operation of the vehicle.
12. **Air cleaner Case Drain Tube.** Check for, deposits in the Drain Tube. If necessary, clean the Tube (page 94) and check the air cleaner case.

▲ WARNING

POTENTIAL HAZARD

**Failure to inspect the ATV before operating.
Failure to properly maintain the ATV.**

WHAT CAN HAPPEN

Increases the possibility of an accident.

HOW TO AVOID THE HAZARD

Always inspect your ATV each time you use it to make sure the ATV is in safe operating condition.

Always follow the inspection and maintenance procedures and schedules described in this Owner's Manual.

Correct any problem before you ride. If you can't correct a problem, contact your Honda dealer for assistance.

If your FOURTRAX has overturned or been involved in a collision, do not ride the vehicle until it has been inspected by an authorized Honda dealer. There may be damage or other problems you cannot see.

Tires

Before riding, make sure your FOURTRAX has the proper tires and that they are in good condition. Also be sure the tires are inflated to the proper air pressure (see page 125).

▲ WARNING

POTENTIAL HAZARD

Operating this ATV with improper tires, or with improper or uneven tire pressure.

WHAT CAN HAPPEN

Use of improper tires on this ATV, or operation of this ATV with improper or uneven tire pressure, may cause loss of control, increasing your risk of an accident.

HOW TO AVOID THE HAZARD

Always use the size and type tires specified in the Owner's Manual for this vehicle.

Always maintain proper tire pressure as described in this Owner's Manual.

Loading

Load Limits

There are limits to how much weight can be carried on your FOURTRAX and be pulled in a trailer.

NOTE:

The following weight limits apply to standard equipment only. Modifying your FOURTRAX, using non-standard equipment or riding on terrain that is not flat and smooth could further reduce these limits.

Maximum weight capacity (Combined weight of the rider, all accessories and all cargo)	= 460 lbs (210 kg) maximum
Front cargo rack weight limit	= 66 lbs (30 kg) maximum
Rear cargo rack weight limit	= 133 lbs (60 kg) maximum
Tow weight limit (Combined weight of the trailer and all cargo in the trailer)	= 850 lbs (385 kg) maximum
Tongue weight (Weight on the trailer tongue)	= 30 lbs (14 kg) recommended
Tongue and rear cargo weight (Combined weight on the trailer tongue and on the rear cargo rack)	= 133 lbs (60 kg) maximum

Loading and Operational Guidelines

Carrying cargo or pulling a trailer will affect how your FOURTRAX handles and greatly reduce its ability in accelerating, braking and making turns and other maneuvers.

Be sure to observe the weight limits above and follow these guidelines:

1. Do not place cargo anywhere on the FOURTRAX other than on the front and rear racks. Otherwise, operating stability may be adversely affected.
2. Never ride with a passenger on the front or rear cargo racks. The FOURTRAX is not designed to carry a passenger.
3. Do not tow another vehicle or a trailer with a rope or cable attached to the rear rack. Use the trailer hitch.
4. Load cargo on the rear rack as far forward as possible. Make sure cargo on the front rack does not interfere with handlebar movement.
5. Do not allow cargo to extend beyond the edges of either the front or rear racks.
6. Make sure all cargo is secured.
7. When towing a trailer, take care to maintain balance and stability. Distribute cargo between the front and rear of the trailer to obtain the recommended tongue weight.

NOTE:

Tongue weight can be measured with ordinary bathroom scales. Place the scales under the tongue, using either the tongue jack or other support to keep the trailer level.

8. Allow extra room for starting, stopping and turning whenever you carry cargo or pull a trailer.
9. Avoid riding on steep slopes when carrying cargo or pulling a trailer.
10. Never cross a slope when towing a trailer.

▲ WARNING

POTENTIAL HAZARD

Overloading this ATV or carrying or towing cargo improperly.

WHAT CAN HAPPEN

Could cause changes in vehicle handling, stability and braking which could lead to an accident.

HOW TO AVOID THE HAZARD

Never exceed the stated load limits for this ATV.

Cargo should be properly distributed and securely attached.

Reduce speed when carrying cargo or pulling a trailer. Allow greater distance for braking.

Use extra care when operating on hills and riding over obstacles. Never cross a slope when pulling a trailer.

Always follow the instructions in this Owner's Manual for carrying cargo or pulling a trailer.

Accessories

Genuine Honda accessories have been specifically designed for and tested on this vehicle. Because Honda cannot test all other accessories, you are personally responsible for properly selecting, installing, and using non-Honda accessories. Always follow the loading instructions above, plus the following:

1. Carefully inspect the accessory to make sure it does not block any lights, reduce ground clearance, or limit suspension travel, steering travel, or other controls.
2. Make sure the accessory does not interfere with your ability to shift body position on the seat or operate hand and foot controls.
3. Do not add electrical equipment that will exceed the vehicle's electrical system capacity. A blown fuse could cause a loss of lights or engine power.

▲ WARNING

POTENTIAL HAZARD

Operating this ATV with improper modifications.

WHAT CAN HAPPEN

Improper installation of accessories or modification of this vehicle may cause changes in handling which could lead to an accident.

HOW TO AVOID THE HAZARD

Never modify this ATV through improper installation or use of accessories. All parts and accessories added to this vehicle should be genuine Honda or equivalent components designed for use on this ATV and should be installed and used according to instructions. If you have questions, consult an authorized Honda dealer.

While reading this manual, remember:

▲ WARNING

Indicates a strong possibility that serious injury or death may result if instructions are not followed.

No Modifications

Modifying this FOURTRAX or removing original equipment may render the vehicle unsafe or illegal. Spark arresters and mufflers are required in most areas. Don't modify your exhaust system. Remember, excessive noise bothers everyone and creates a bad image for off-road vehicles.

SAFE RIDING RULES

Protective Apparel

Always wear an approved motorcycle helmet when riding your FOURTRAX. You should also always wear goggles or a face shield, gloves, boots, a long-sleeved shirt or jacket, and long pants.

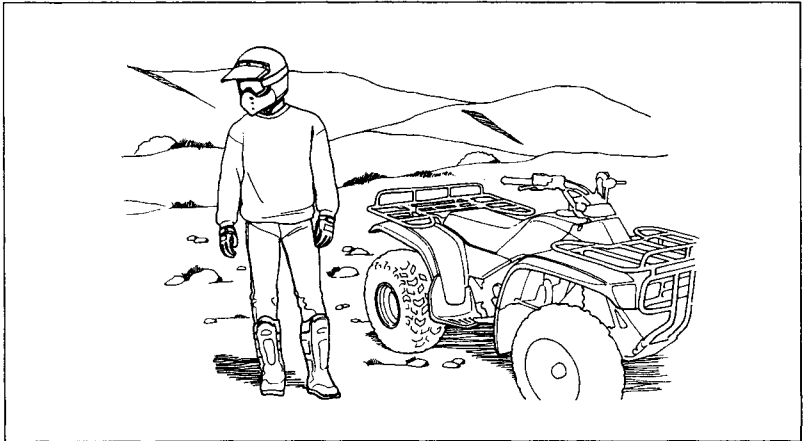


Fig. 3-1

An example of a properly dressed rider.

▲ WARNING

POTENTIAL HAZARD

Operating this ATV without wearing an approved motorcycle helmet, eye protection and protective clothing.

WHAT CAN HAPPEN

Operating without an approved motorcycle helmet increases your chances of a severe head injury or death in the event of an accident.

Operating without eye protection can result in an accident and increases your chances of a severe injury in the event of an accident.

Operating without protective clothing increases your chances of severe injury in the event of an accident.

HOW TO AVOID THE HAZARD

Always wear an approved motorcycle helmet that fits properly.

You should also wear: eye protection (goggles or face shield), gloves, boots, long-sleeved shirt or jacket and long pants.

No Passengers

This FOURTRAX is designed as an operator-only vehicle. The long seat is to allow the rider to change body position, not for carrying a passenger. Never let a passenger ride on the seat or on the front or rear cargo racks.

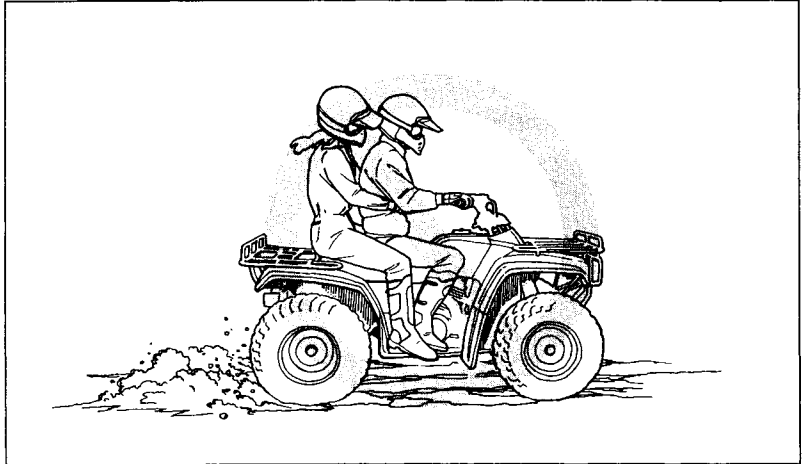


Fig. 3-2

Never carry a passenger on your FOURTRAX.

▲ WARNING

POTENTIAL HAZARD

Carrying a passenger on this ATV.

WHAT CAN HAPPEN

Greatly reduces your ability to balance and control this ATV.

Could cause an accident, resulting in harm to you and/or your passenger.

HOW TO AVOID THE HAZARD

Never carry a passenger. The long seat is to allow the operator to shift position as needed during operation. It is not for carrying passengers.

No Alcohol or Drugs

Alcohol, drugs and FOURTRAXs don't mix. Even a small amount of alcohol can impair your ability to operate a FOURTRAX safely. Likewise, drugs—even if prescribed by a physician—can be dangerous while operating a FOURTRAX. Consult your doctor to be sure it is safe to operate a vehicle after taking medication.

▲ WARNING

POTENTIAL HAZARD

Operating this ATV after consuming alcohol or drugs.

WHAT CAN HAPPEN

Could seriously affect your judgment.

Could cause you to react more slowly.

Could affect your balance and perception.

Could result in an accident.

HOW TO AVOID THE HAZARD

Never consume alcohol or drugs before or while driving this ATV.

Off-Road Only

Your FOURTRAX is designed and manufactured for off-road use only, not for pavement. Riding on pavement can affect handling and control. You should not ride your FOURTRAX on pavement.

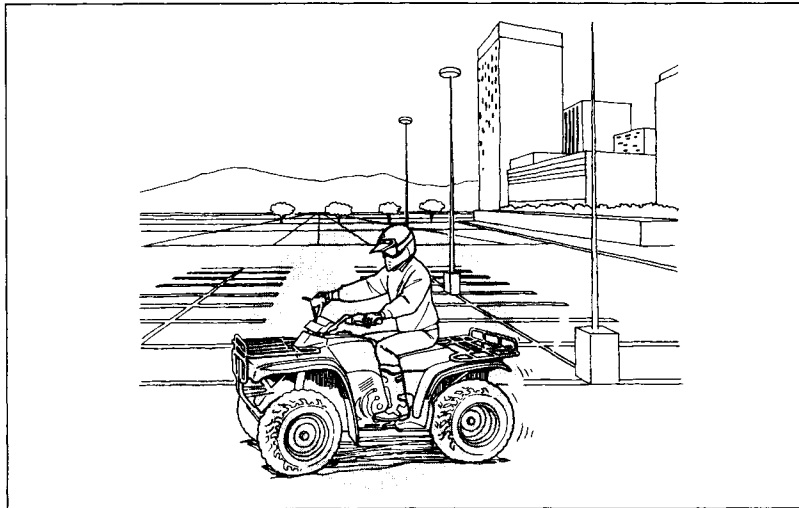


Fig. 3-3

Never ride on paved surfaces.

▲ WARNING

POTENTIAL HAZARD

Operating this ATV on paved surfaces.

WHAT CAN HAPPEN

The ATV and its tires are designed for off-road use only, not for use on pavement. Paved surfaces may seriously affect handling and control of the ATV, and may cause the vehicle to go out of control.

HOW TO AVOID THE HAZARD

Never operate the ATV on any paved surfaces, including sidewalks, driveways, parking lots and streets.

You should never ride your FOURTRAX on public streets, roads or highways, even if they are not paved. Drivers of street vehicles may have difficulty seeing and avoiding you, which could lead to a collision.

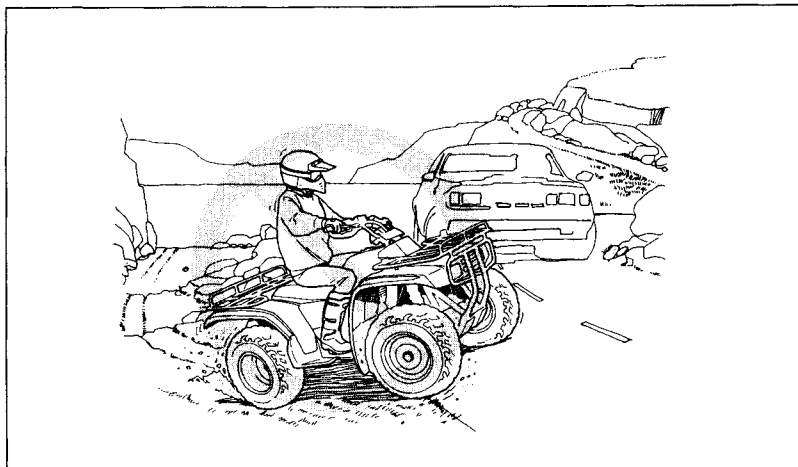


Fig. 3-4

Never ride on public roads or highways.

▲ WARNING

POTENTIAL HAZARD

Operating this ATV on public streets, roads or highways.

WHAT CAN HAPPEN

You can collide with another vehicle.

HOW TO AVOID THE HAZARD

Never operate this ATV on any public street, road or highway, even a dirt or gravel one.

In many states it is illegal to operate ATVs on public streets, roads and highways.

FOR OFF-ROAD USE ONLY

This vehicle is designed and manufactured for off-road use only. It does not conform to Federal Motor Vehicle Safety Standards or US EPA Exhaust Emission regulations, and operation on public streets, roads, or highways is illegal. The vehicle is equipped with a USDA qualified spark arrester. Obey local laws and regulations.

When riding off-road, also remember to always obey local off-road riding laws and regulations. Obtain permission to ride on private property. Avoid posted areas and obey "no trespassing" signs.

Keep Hands and Feet on Controls

Always keep both hands on the handlebars and both feet on the footpegs when riding your FOURTRAX. This is important to maintain your balance and to control the vehicle. If you put your feet on the ground while the FOURTRAX is moving, they could come in contact with the rear wheels, causing injury.

▲ WARNING

POTENTIAL HAZARD

Removing hands from handlebars or feet from footpegs during operation.

WHAT CAN HAPPEN

Removing even one hand or foot can reduce your ability to control the ATV or could cause you to lose your balance and fall off of the ATV. If you remove a foot from the footpeg, your foot or leg may come into contact with the rear wheels, which could injure you or cause an accident.

HOW TO AVOID THE HAZARD

Always keep both hands on the handlebars and both feet on the footpegs of your ATV during operation.

Control Speed

Riding at excessive speed increases the chance of an accident. In choosing a proper speed, you need to consider the capability of your vehicle, the terrain, visibility and other operating conditions, plus your own skills and experience.

⚠ WARNING

POTENTIAL HAZARD

Operating this ATV at excessive speeds.

WHAT CAN HAPPEN

Increases your chances of losing control of the ATV, which can result in an accident.

HOW TO AVOID THE HAZARD

Always go at a speed that is proper for your vehicle, the terrain, visibility and other operating conditions, and your experience.

No Stunts

When riding, you should keep all four wheels of your FOURTRAX on the ground. Avoid "wheelies," jumps and other stunts, as they could cause loss of control.

▲ WARNING

POTENTIAL HAZARD

Attempting wheelies, jumps, and other stunts.

WHAT CAN HAPPEN

Increases the chance of an accident, including an overturn.

HOW TO AVOID THE HAZARD

**Never attempt stunts, such as wheelies or jumps.
Don't try to show off.**

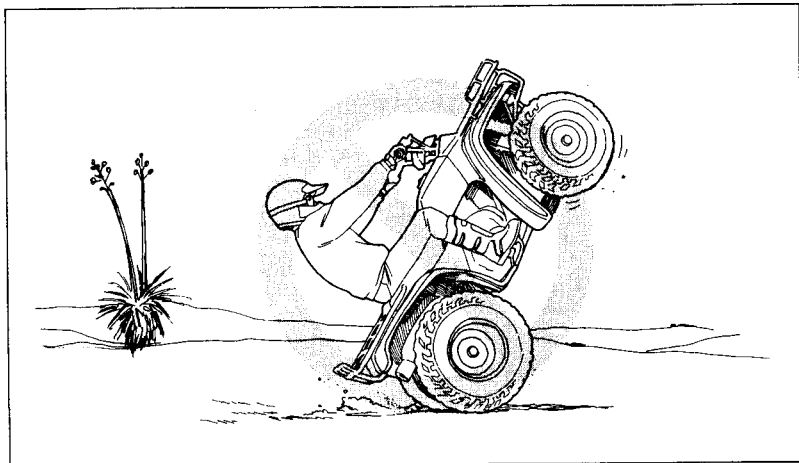


Fig. 3-5

Never attempt wheelies or other stunts.

Use Care on Unfamiliar Terrain

Before riding in a new area, always check the terrain thoroughly. Don't ride fast on unfamiliar terrain or when visibility is limited. (It's sometimes difficult to see obstructions.)

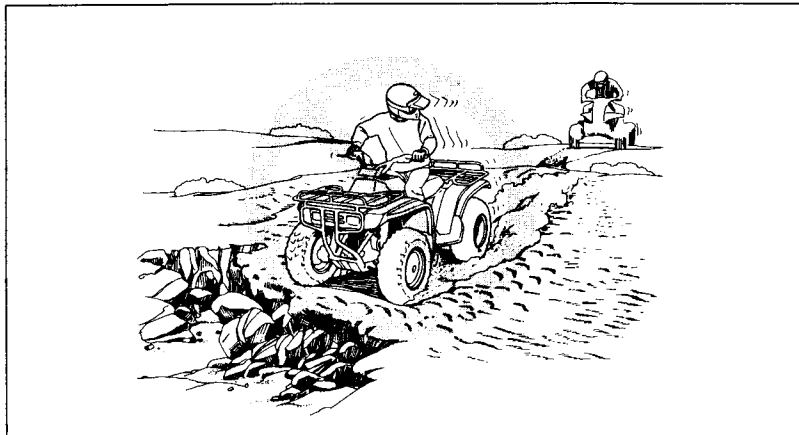


Fig. 3-6

Be alert for changes in the terrain.

▲ WARNING

POTENTIAL HAZARD

Failure to use extra care when operating this ATV on unfamiliar terrain.

WHAT CAN HAPPEN

You can come upon hidden rocks, bumps, or holes without enough time to react.

Could result in the ATV overturning or going out of control.

HOW TO AVOID THE HAZARD

Go slowly and be extra careful when operating on unfamiliar terrain.

Always be alert to changing terrain conditions when operating the ATV.

Never ride past your limit of visibility. Maintain a safe distance between your FOURTRAX and other off-road vehicles. Always exercise caution, and use extra care on rough, slippery and loose terrain.

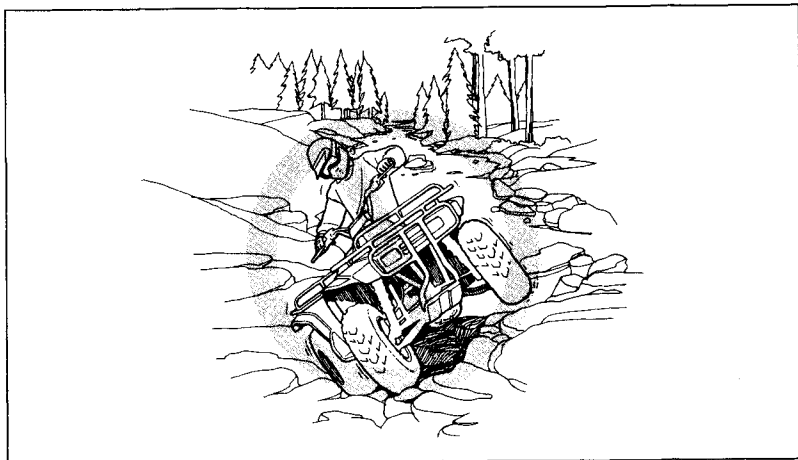


Fig. 3-7

Use extra care on rough terrain.

▲ WARNING

POTENTIAL HAZARD

Failure to use extra care when operating on excessively rough, slippery or loose terrain.

WHAT CAN HAPPEN

Could cause loss of traction or vehicle control, which could result in an accident, including an overturn.

HOW TO AVOID THE HAZARD

Do not operate on excessively rough, slippery or loose terrain until you have learned and practiced the skills necessary to control the ATV on such terrain.

Always be especially cautious on these kinds of terrain.

RIDING

For your initial riding practice, select a safe area free of obstacles with a level surface of dirt or sand. Practice at low speed until you are confident in shifting gears, braking, and making turns.

▲ WARNING

POTENTIAL HAZARD

Running the engine in an enclosed area.

WHAT CAN HAPPEN

Engine exhaust contains carbon monoxide gas that can cause loss of consciousness and may lead to death.

HOW TO AVOID THE HAZARD

Never operate the ATV engine in an enclosed area, such as a garage.

STARTING THE ENGINE

Following are the procedures for starting a cold engine when air temperature is 50—95°F (10—35°C). (If you need help locating the controls, refer to pages 10—28 or the Index.)

1. Lock the parking brake, and make sure the transmission is in neutral. (The starter will not operate unless the transmission is in neutral.)
2. Turn the fuel valve, the fuel cap vent lever and the ignition switch ON.
3. Turn the engine stop switch to RUN.
4. Set the choke lever at the half choke position. Keep the throttle fully closed.
5. Press the starter button.

CAUTION:

Pressing the electric starter button for more than 5 seconds at a time may cause the starter to overheat and damage the starter. Release the starter button for approximately 10 seconds before pressing it again.

6. After the engine has warmed up, turn the choke OFF.

If the engine is already warm, or if air temperature is above 95°F (35°C), do not use the choke, but open the throttle slightly before pressing the starter button.

If air temperature is below 50°F (10°C), move the choke lever to the full choke position before starting the engine. Keep the throttle fully closed. As the engine warms, move the choke to the half choke position. After the engine is warm, turn the choke OFF.

When air temperature is below 5°F (-15°C), push the starting primer knob once or twice before pressing the starter button.

If the engine doesn't start after pushing the starter button several times, use the kick starter.

Flooded Engine

If the engine does not start after several attempts, it may have become flooded with excess fuel. To clear the engine:

1. Turn the engine stop switch OFF.
2. Move the choke lever to the OFF position.
3. Hold the throttle fully open and briefly press the starter button or operate the kick starter several times.
4. When the engine is cleared, wait 10 seconds. Then turn the engine stop switch to RUN and repeat the normal starting procedure, but don't use the choke.

SHIFTING GEARS

After starting the engine and letting it warm up, follow these procedures:

1. With the transmission in neutral, release the parking brake, but continue squeezing the rear brake lever.
2. With the throttle closed, raise the gearshift pedal one full stroke to shift into SL (super low) gear.
3. Release the rear brake lever and increase engine speed by gradually opening the throttle.
4. When speed increases, release the throttle and shift to 1st gear by raising the gearshift pedal one full stroke.
5. Repeat this sequence to progressively upshift to 2nd, 3rd and 4th (top) gear.
6. To downshift, reverse this sequence. Remember to close the throttle each time you shift to the next lower gear.

▲ WARNING

POTENTIAL HAZARD

Shifting gears without releasing the throttle.

WHAT CAN HAPPEN

Could cause loss of control or cause the ATV to overturn.

HOW TO AVOID THE HAZARD

Always release the throttle when shifting gears.

RIDING IN REVERSE

To shift into reverse, first bring the vehicle to a complete stop and make sure the transmission is in neutral. Then follow these procedures:

1. Be sure there are no obstacles or people in the way.
2. While pushing the reverse selector knob in, squeeze the rear brake lever, then depress the gearshift pedal.
3. Release the rear brake lever.
4. Open the throttle gradually and ride slowly. Do not open the throttle suddenly or make abrupt turns.
5. To stop, close the throttle and gradually apply both the front and rear brakes. Do not abruptly apply the rear brake by itself.
6. To shift out of reverse and into neutral, raise the gearshift pedal one stroke.

While reading this manual, remember:



Indicates a strong possibility that serious injury or death may result if instructions are not followed.

⚠ WARNING

POTENTIAL HAZARD

Improperly operating in reverse.

WHAT CAN HAPPEN

You could hit an obstacle or person behind you, resulting in serious injury.

HOW TO AVOID THE HAZARD

When you select reverse gear, make sure there are no obstacles or people behind you. When it is safe to proceed, go slowly.

⚠ WARNING

POTENTIAL HAZARD

Applying only the rear brake abruptly when operating in reverse gear.

WHAT CAN HAPPEN

The front wheels could lift off the ground and the ATV could overturn backwards.

HOW TO AVOID THE HAZARD

Carefully apply both the front and rear brakes when stopping in reverse gear.

MAKING TURNS

To make a turn on level ground, steer the handlebars and lean your body toward the inside of the turn. (Fig 3-8) Leaning helps balance the vehicle, and it feels more comfortable. Leaning into a turn is an important technique to master in riding a FOURTRAX.

To make a sharp turn at low speed, it helps to shift your body slightly forward on the seat (Fig 3-8), and lean inside, as you steer the handlebars. Shifting weight forward allows the rear wheels to turn easier, and it also improves front-wheel steering. Remember to shift your body forward to make sharp low-speed turns and whenever you turn while accelerating from a full stop.

Apply the throttle slowly and gradually when you turn and start up at the same time. During other turns, use the throttle to maintain the desired speed throughout the turn. Practice these techniques on level ground until you are confident in making turns.

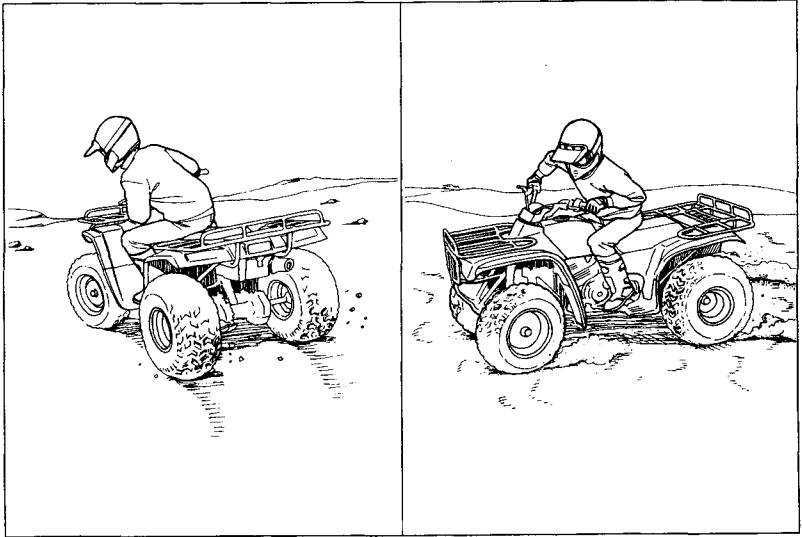


Fig. 3-8

Lean your body to the inside of a turn and forward.

▲ WARNING

POTENTIAL HAZARD

Turning improperly.

WHAT CAN HAPPEN

The ATV can go out of control, causing a collision or overturn.

HOW TO AVOID THE HAZARD

Always follow proper procedures for turning as described in this Owner's Manual.

Practice turning at low speeds before attempting to turn at faster speeds.

Do not turn at excessive speeds.

The terrain surface can be a major factor affecting turns. Skidding during a turn is more likely to occur on slippery surfaces, such as snow, ice, mud and loose gravel. If you skid on ice, you may lose all directional control. To avoid skidding on slippery terrain, keep your speed low and ride with caution.

If your FOURTRAX skids sideways during a turn, steer in the direction of the skid. Avoid hard braking or accelerating until you have regained directional control.

▲ WARNING

POTENTIAL HAZARD

Skidding or sliding improperly.

WHAT CAN HAPPEN

You may lose control of this ATV.

You may also regain traction unexpectedly, which may cause the ATV to overturn.

HOW TO AVOID THE HAZARD

Learn to safely control skidding by practicing at low speeds and on level, smooth terrain.

On extremely slippery surfaces, such as ice, go slowly and be very cautious in order to reduce the chance of skidding or sliding out of control.

RIDING UP HILLS

The FOURTRAX's ability to safely climb hills largely depends on the rider's skill and judgment. Begin by practicing on smooth, gentle slopes. As you gain experience, you'll learn the hazards and your own limitations. You may then proceed to ride on more difficult terrain. However, you must be able to decide which hills or hazards might cause the FOURTRAX to overturn. Avoid excessively steep hills.

▲ WARNING

POTENTIAL HAZARD

Operating on excessively steep hills.

WHAT CAN HAPPEN

The vehicle can overturn more easily on extremely steep hills than on level surfaces or small hills.

HOW TO AVOID THE HAZARD

Never operate the ATV on hills too steep for the ATV or for your abilities.

Practice on smaller hills before attempting larger hills.

When climbing hills, you must shift weight toward the front wheels to help keep them on the ground. To do this, shift your body slightly forward on the seat and lean forward. For greater weight shift, move your body farther forward and lean forward.

To climb a hill, take a running start in an appropriate gear and speed for the conditions. Maintain a steady speed as you ascend the hill.

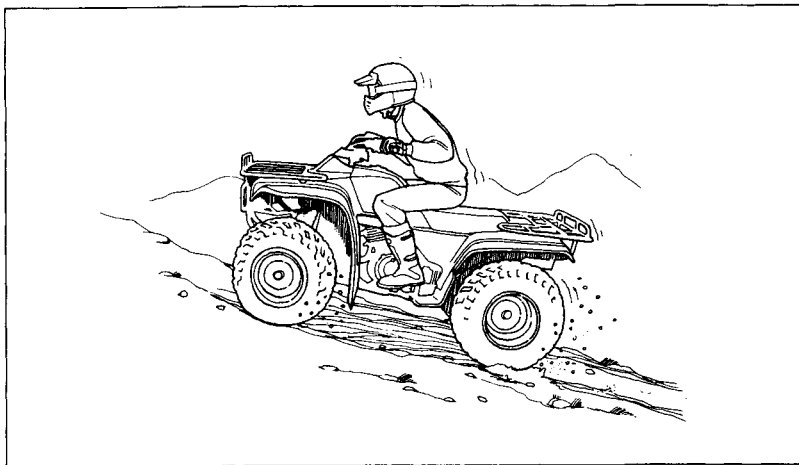


Fig. 3-9

Shift weight forward when climbing hills.

▲ WARNING

POTENTIAL HAZARD

Climbing hills improperly.

WHAT CAN HAPPEN

Could cause loss of control or cause the ATV to overturn.

HOW TO AVOID THE HAZARD

Always follow proper procedures for climbing hills as described in this Owner's Manual.

Always check the terrain carefully before you start up any hill.

Never climb hills with excessively slippery or loose surfaces.

Shift your weight forward.

Never open the throttle suddenly or make sudden gear changes. The ATV could flip over backward.

Never go over the top of any hill at high speed. An obstacle, a sharp drop, or another vehicle or person could be on the other side of the hill.

If you incorrectly estimate climbing capability or terrain conditions, the FOURTRAX may not have enough power or traction to continue uphill.

If you are about to lose all forward speed:

1. Using the front and rear brakes together, bring the FOURTRAX to a stop with the vehicle pointed straight uphill.

2. Get off the FOURTRAX while you continue holding the brakes.
3. Set the parking brake, shift into neutral and turn the engine off.
4. Then assess the situation.

If the FOURTRAX starts rolling backwards before you begin braking, keep your weight uphill, apply the front brakes first, then carefully apply the rear brake as well. Do not apply the rear brake only or abruptly if you are rolling backwards, or the vehicle may overturn.

If the FOURTRAX continues sliding backwards after you've applied the brakes, get off and away from the vehicle.

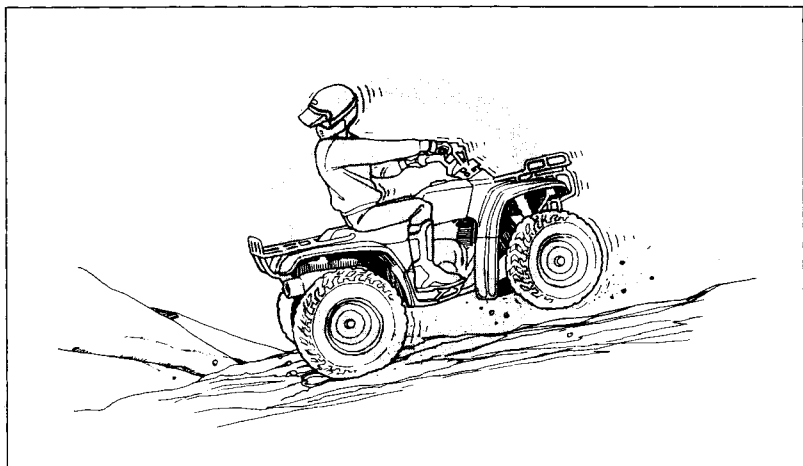


Fig. 3-10

If you roll backwards down a hill, don't apply the rear brake abruptly.

▲ WARNING

POTENTIAL HAZARD

Stalling, rolling backwards or improperly dismounting while climbing a hill.

WHAT CAN HAPPEN

Could result in ATV overturning.

HOW TO AVOID THE HAZARD

Use proper gear and maintain steady speed when climbing a hill.

If you lose all forward speed:

Keep weight uphill.

Apply the brakes.

Lock parking brake, after you are stopped.

If you begin rolling backwards:

Keep weight uphill.

Never apply the rear brake abruptly while rolling backwards.

Apply the front brake.

When fully stopped, apply rear brake as well, and then lock parking brake.

Dismount on the uphill side if the vehicle is not pointed straight uphill.

Back the vehicle down the hill, following the instructions in this Owner's Manual.

If the hill is not too steep and you have good footing, you may be able to walk the FOURTRAX back down the hill. Make sure your intended path is clear in case you lose control of the FOURTRAX.

If you decide you can walk the FOURTRAX safely:

1. Stand with your body facing downhill, beside the vehicle so you can reach the rear brake lever with your right hand (See Figure 3-11.)
2. Be sure your legs are clear of the wheels.
3. Check your footing.
4. Then slowly and carefully back the FOURTRAX down the hill using the rear brake lever to control speed.
5. If you lose control of the FOURTRAX, for your safety, get away from the vehicle.

If the hill is too steep or too slippery, or if you have any doubt whether you can safely walk the FOURTRAX back down the hill, leave the vehicle where it is and get help. If possible, block the wheels so the vehicle won't roll backwards.

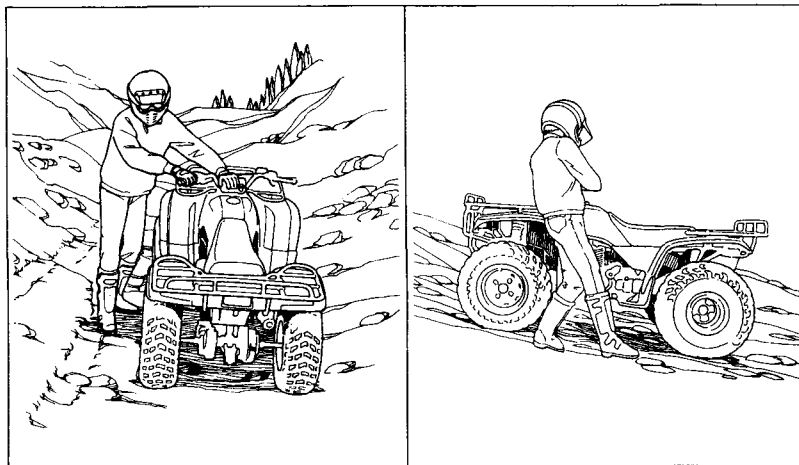


Fig. 3-11 Be sure your legs are clear of the wheels.

Body position for backing down a hill.

While reading this manual, remember:



WARNING

Indicates a strong possibility that serious injury or death may result if instructions are not followed.

RIDING DOWN HILLS

It's usually advisable to descend hills with the FOURTRAX pointed straight downhill. Avoid angles that would cause the vehicle to lean sharply to one side.

As you approach a downhill, stop and survey the terrain below. Never ride past the limit of your visibility.

When you've selected a safe downhill path, shift into a low gear, sit back on the seat with arms extended and braced against the handlebars, then go down slowly with the throttle closed.

Use mainly the rear brake to control speed. Avoid using the front brake hard or abruptly when riding down hills.

Remember, braking effectiveness is reduced on any hill with a loose surface.

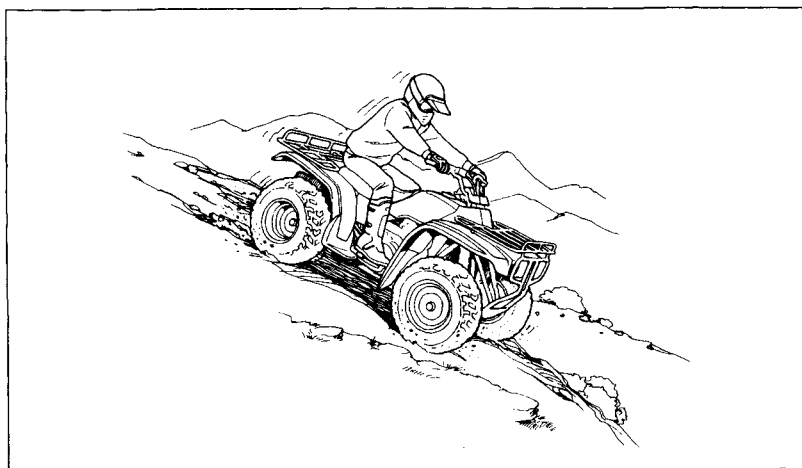


Fig. 3-12

On downhills, sit back on the seat.

▲ WARNING

POTENTIAL HAZARD

Going down a hill improperly.

WHAT CAN HAPPEN

Could cause loss of control or cause ATV to overturn.

HOW TO AVOID THE HAZARD

Always follow proper procedures for going down hills as described in this Owner's Manual. Note: a special technique is required when braking as you go down a hill.

Always check the terrain carefully before you start down any hill.

Shift your weight backward.

Never go down a hill at high speed.

Avoid going down a hill at an angle that would cause the vehicle to lean sharply to one side. Go straight down the hill where possible.

CROSSING SLOPES

To maintain balance and stability when riding across a slope, you need to shift weight toward the uphill side of the vehicle. To do this, move your body off the center of the seat and lean toward the uphill side. On a slippery or loose surface, you may also need to steer slightly uphill to maintain a straight course across the slope. Avoid crossing hills that are excessively steep, slippery or rough.

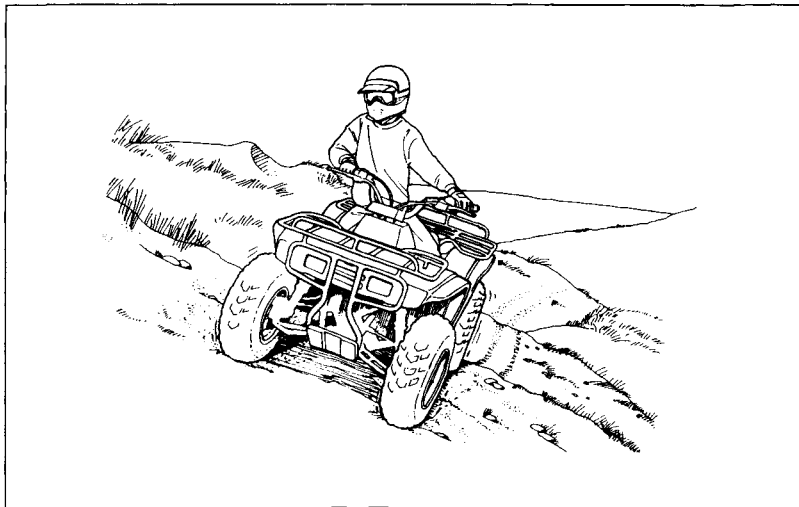


Fig. 3-13

Shift weight uphill when crossing slopes.

MAKING TURNS ON SLOPES

Compared to riding on level ground, you may need to shift more weight and lean more when making turns on slopes. Do not make turns on any slopes until you have first mastered the techniques for making turns on level terrain.

Begin by practicing turning on gentle, smooth slopes before attempting turns on steeper or more difficult terrain. Avoid making turns on very steep, rough or slippery hills.

▲ WARNING

POTENTIAL HAZARD

Improperly crossing hills or turning on hills.

WHAT CAN HAPPEN

Could cause loss of control or cause ATV to overturn.

HOW TO AVOID THE HAZARD

Never attempt to turn the ATV around on any hill until you have mastered the turning technique as described in this Owner's Manual on level ground.

Be very careful when turning on any hill.

Avoid crossing the side of a steep hill if possible.

When crossing the side of a hill:

Always follow proper procedures as described in this Owner's Manual.

Avoid hills with excessively slippery or loose surfaces.

Shift your weight to the uphill side of the ATV.

RIDING OVER OBSTACLES

Watch out for bumps, rain ruts, potholes and other obstacles in the terrain. When you approach any obstacle, reduce your speed and be prepared to stop.

Never try to ride over large obstacles, such as large rocks or fallen logs.

▲ WARNING

POTENTIAL HAZARD

Improperly operating over obstacles.

WHAT CAN HAPPEN

Could cause loss of control or a collision. Could cause the ATV to overturn.

HOW TO AVOID THE HAZARD

Before operating in a new area, check for obstacles.

Never attempt to ride over large obstacles, such as large rocks or fallen trees.

When you go over obstacles, always follow proper procedures as described in this Owner's Manual.

RIDING THROUGH WATER

Your FOURTRAX is designed to travel through water up to approximately 10 inches deep. Before crossing a stream, make sure the water is not too deep or flowing too fast.

Choose a path where both banks have gradual slopes, then proceed through the water at a slow, steady speed. Watch out for submerged obstacles and slippery rocks. Avoid getting the spark plug or air cleaner wet, as this would cause the engine to stop.

Riding through water can make the brakes less effective than normal. After leaving water, always test both the front and rear brakes. If necessary, apply the brakes repeatedly until they dry out and operate normally. If the brakes don't regain effectiveness, stop your FOURTRAX and follow the procedures on page 123.

▲ WARNING

POTENTIAL HAZARD

Operating this ATV through deep or fast flowing water.

WHAT CAN HAPPEN

Tires may float, causing loss of traction and loss of control, which could lead to an accident.

HOW TO AVOID THE HAZARD

Never operate this ATV in fast flowing water or in water deeper than that specified in this Owner's Manual.

Remember that wet brakes may have reduced stopping ability. Test your brakes after leaving water. If necessary, apply them several times to let friction dry out the linings.

PARKING

Always choose a level place to park. After bringing your FOURTRAX to a stop, hold the brakes while you shift into neutral. Then set the parking brake and turn the ignition switch OFF. If you're through riding for the day, also turn the fuel valve and the fuel cap vent lever OFF.

While reading this manual, remember:



Indicates a strong possibility that serious injury or death may result if instructions are not followed.

MAINTENANCE AND REPAIRS

MAINTENANCE SCHEDULE

		EVERY	SERVICE PERIOD		Refer to page
			INITIAL (First week of operation or 30 operating hours) (NOTE 1)	REGULAR (Every 30 operating days or 100 operating hours) (NOTE 1)	
I: Inspect and Clean, Adjust, Lubricate or Replace if necessary. C: Clean R: Replace A: Adjust L: Lubricate					
*	FUEL LINE	YEAR I			—
*	FUEL STRAINER SCREEN	YEAR C			88, 89
*	THROTTLE OPERATION		I	I	90
*	CARBURETOR CHOKE			I	95
	AIR CLEANER	(NOTE 2)		C	91—93
	AIR CLEANER CASE DRAIN TUBE	(NOTE 3)		I	94
	SPARK PLUG			I	104, 105
*	VALVE CLEARANCE		I	I	105
	ENGINE OIL		R	R	28, 98—102
	ENGINE OIL FILTER		R	R	100—102
*	ENGINE IDLE SPEED		I	I	95—97
	REAR FINAL GEAR CASE OIL	YEAR I, 2 YEARS R			103
	BRAKE FLUID	(NOTE 4)		I	117, 118

		SERVICE PERIOD		Refer to page	
		INITIAL (First week of operation or 30 operating hours) (NOTE 1)	REGULAR (Every 30 operating days or 100 operating hours) (NOTE 1)		
I: Inspect and Clean, Adjust, Lubricate or Replace if necessary. C: Clean R: Replace A: Adjust L: Lubricate		EVERY			
*	BRAKE SHOE WEAR	YEAR 1 (NOTE 3)			113—116 119—122
	BRAKE SYSTEM		I	I	25, 113—123
*	REVERSE LOCK SYSTEM		I	I	107
*	CLUTCH SYSTEM		I	I	106
	SKID PLATES			I	130
*	SUSPENSION			I	—
*	SPARK ARRESTER			C	132, 133
*	NUTS, BOLTS, FASTENERS		I	I	—
**	WHEELS/TIRES		I	I	124—128
**	STEERING SHAFT HOLDER BEARINGS	YEAR 1			—
**	STEERING SYSTEM	YEAR 1			—

* SHOULD BE SERVICED BY YOUR AUTHORIZED HONDA DEALER, UNLESS THE OWNER HAS PROPER TOOLS AND SERVICE DATA AND IS MECHANICALLY QUALIFIED. REFER TO THE OFFICIAL HONDA SERVICE MANUAL.

** IN THE INTEREST OF SAFETY, WE RECOMMEND THESE ITEMS BE SERVICED ONLY BY YOUR AUTHORIZED HONDA DEALER.

NOTES: 1. Whichever comes first.

2. Service more frequently when riding in dusty areas, sand or snow.

3. Service more frequently after riding in very wet or muddy conditions.

4. Replace every 2 years. Replacement requires mechanical skill.

MAINTENANCE PRECAUTIONS

Before beginning any maintenance or repairs, read the appropriate instructions and warnings and make sure you have all the tools and materials you will need.

Choose a clean area that is level and has good ventilation and good light. Make sure the engine is off unless otherwise instructed. If you need to replace any parts, remember to use only new genuine Honda parts or their equivalents.

▲ WARNING

POTENTIAL HAZARD

Failure to properly maintain the ATV.

WHAT CAN HAPPEN

Increases the possibility of an accident or equipment damage.

HOW TO AVOID THE HAZARD

Always follow the inspection and maintenance procedures and schedules described in this Owner's Manual.

Use only genuine Honda replacement parts or parts of equivalent quality.

▲ WARNING

POTENTIAL HAZARD

Performing maintenance operations with the engine running.

WHAT CAN HAPPEN

Increases the chances of injury from moving parts or hot surfaces.

HOW TO AVOID THE HAZARD

Unless otherwise stated, always turn the engine off before performing any maintenance operations.

TOOL KIT

A tool kit (Fig. 4-1) is provided with your FOURTRAX and stored in the storage compartment behind the seat. The tools in the kit are sufficient to perform routine maintenance and simple repairs. Any extensive work requiring additional tools should be performed by your authorized Honda dealer.

The tool kit includes the following items:

- * Standard/Phillips screwdriver
- * Screwdriver handle
- * 10 × 12 mm open end wrench
- * 14 × 17 mm open end wrench
- * Pliers
- * Spark plug wrench and handlebar
- * Tool case

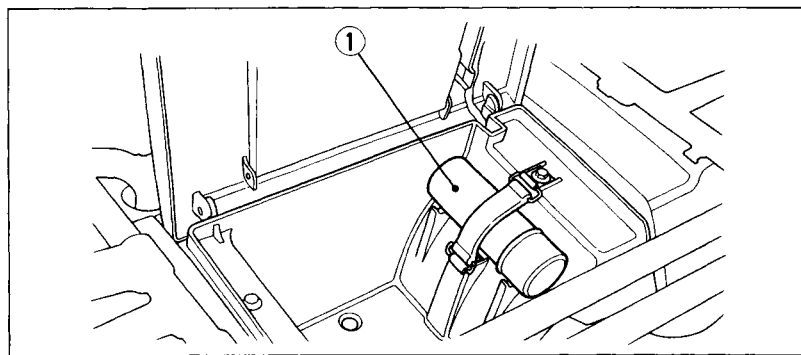


Fig. 4-1

(1) Tool kit

While reading this manual, remember:



Indicates a strong possibility that serious injury or death may result if instructions are not followed.

FUEL SYSTEM

FUEL

Refueling

Fuel tank capacity is 3.3 US gal (12.5 ℓ), including 0.7 US gal (2.5 ℓ) in the reserve supply.

To refuel, remove the fuel fill cap (Fig. 4-2) by twisting it counterclockwise. Do not overfill (make sure there is no fuel in the filler neck). After adding fuel, tighten the fuel fill cap firmly by turning it clockwise. Align the arrow (2) on the cap with the reference mark (3) on the fuel tank.

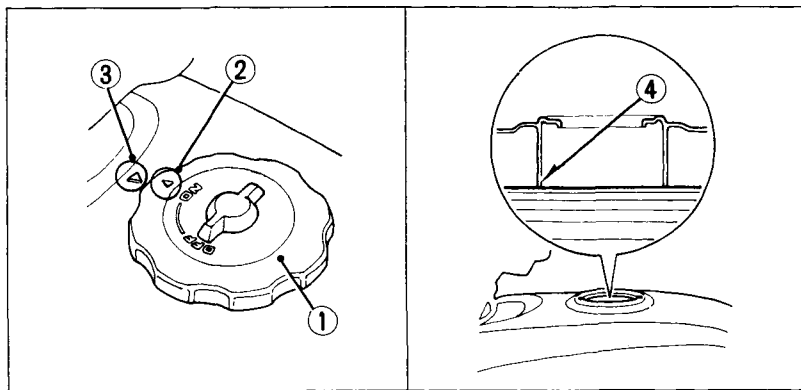


Fig. 4-2

(1) Fuel fill cap

(2) Arrow

(3) Reference mark

(4) Filler neck

▲ WARNING

POTENTIAL HAZARD

Refueling this ATV or handling fuel improperly.

WHAT CAN HAPPEN

The fuel could explode or ignite.

HOW TO AVOID THE HAZARD

Always refuel this ATV and handle fuel in a well-ventilated area with the engine off. Do not smoke or allow flames or sparks in the area where fuel is handled.

Do not overfill the tank. Be careful not to spill fuel when refueling. After refueling, make sure the fuel fill cap is closed properly and securely.

If any fuel is spilled, make sure the area is dry before starting the engine.

▲ WARNING

POTENTIAL HAZARD

Prolonged contact of fuel with the skin.
Breathing fuel vapor.

WHAT CAN HAPPEN

The fuel can cause skin irritation.
Fuel vapor could cause lung damage.

HOW TO AVOID THE HAZARD

Avoid repeated or prolonged contact of fuel with the skin or breathing of fuel vapor.

KEEP OUT OF REACH OF CHILDREN.

Fuel Recommendations

Your engine is designed to use any gasoline that has a pump octane number of 86 or higher. (Gasoline pumps at service stations normally display the pump octane number.)

We recommend unleaded fuel because it produces fewer engine and spark plug deposits and extends the life of the exhaust system. Never use stale or contaminated gasoline or an oil/gasoline mixture. Avoid getting dirt, dust or water in the fuel tank.

Using a lower octane than recommended can cause persistent “pinging” or heavy “spark knock” (a metallic rapping noise). If severe, these can lead to engine damage.

CAUTION:

If “spark knock” or “pinging” occurs at a steady engine speed under normal load, change brands of gasoline. If spark knock or pinging persists, consult your authorized Honda dealer. Failure to do so is considered misuse, and damage caused by misuse is not covered by Honda’s Limited Warranty.

Oxygenated Fuels

Some conventional gasolines are being blended with alcohol or an ether compound. These gasolines are collectively referred to as oxygenated fuels. To meet clean air standards, some areas of the United States and Canada use oxygenated fuels to help reduce emissions.

If you use an oxygenated fuel, be sure it is unleaded and meets the minimum octane rating requirement.

Before using an oxygenated fuel, try to confirm the fuel's contents. Some states/provinces require this information to be posted on the pump.

The following are the EPA approved percentages of oxygenates:

ETHANOL (ethyl or grain alcohol) 10% by volume

You may use gasoline containing up to 10% ethanol by volume. Gasoline containing ethanol may be marketed under the name "Gasohol".

MTBE (Methyl Tertiary Butyl Ether) 15% by Volume

You may use gasoline containing up to 15% MTBE by volume.

METHANOL (methyl or wood alcohol) 5% by Volume

You may use gasoline containing up to 5% methanol by volume as long as it also contains cosolvents and corrosion inhibitors to protect the fuel system. Gasoline containing more than 5% methanol by volume may cause starting and/or performance problems. It may also damage metal, rubber, and plastic parts of your fuel system.

If you notice any undesirable operating symptoms, try another service station or switch to another brand of gasoline.

Fuel system damage or performance problems resulting from the use of an oxygenated fuel containing more than the percentages of oxygenates mentioned above are not covered under warranty.

FUEL STRAINER SCREEN

The fuel strainer (Fig. 4-3) is in the fuel valve. The strainer has a fine mesh screen (2) which prevents dirt from entering the carburetor passages. Dirt which accumulates in the screen must be removed periodically, or the fuel flow will eventually be restricted.

To clean the fuel strainer screen:

1. Turn the fuel valve OFF.
2. Remove the fuel strainer cup (1).
3. Remove the strainer screen (2).
4. Wash the screen in nonflammable or high flash point solvent.

▲ WARNING

POTENTIAL HAZARD

Using gasoline or low flash point solvents for cleaning ATV parts.

WHAT CAN HAPPEN

A fire or explosion could result.

HOW TO AVOID THE HAZARD

Use only a nonflammable or high flash point solvent to clean ATV parts.

5. Reassemble by reversing the disassembly sequence.
6. Turn the fuel valve and fuel cap vent lever ON, and check for leaks. Correct if necessary.

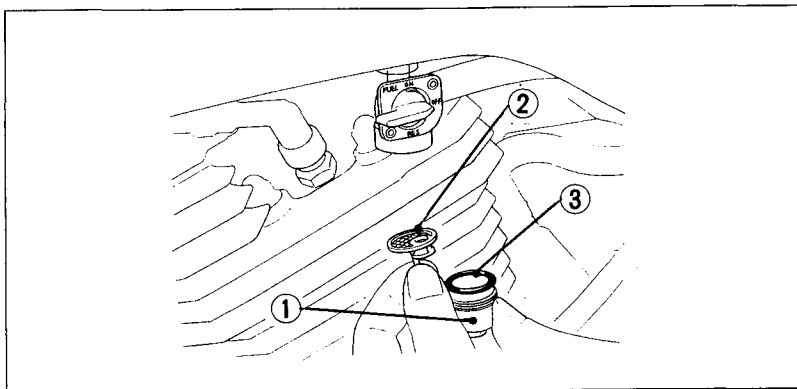


Fig. 4-3

(1) Fuel strainer cup

(2) Strainer screen

(3) O-ring

While reading this manual, remember:

▲ WARNING

Indicates a strong possibility that serious injury or death may result if instructions are not followed.

THROTTLE

Throttle Cable and Lever

Check the condition of the throttle cable and the operation of the throttle lever. Make sure the cable does not bind or interfere with smooth operation of the throttle in any steering position. If the cable is worn or kinked, have it replaced by your Honda dealer.

Throttle Free Play

Throttle free play, measured at the tip of the throttle lever (Fig. 4-4), should be maintained at $1/8$ — $5/16$ in (3—8 mm).

To adjust throttle free play:

1. Slide the rubber sleeve (1) back to expose the throttle cable adjuster (2).
2. Loosen the lock nut (3), then turn the adjuster to obtain the correct free play.
3. Tighten the lock nut and reinstall the sleeve.

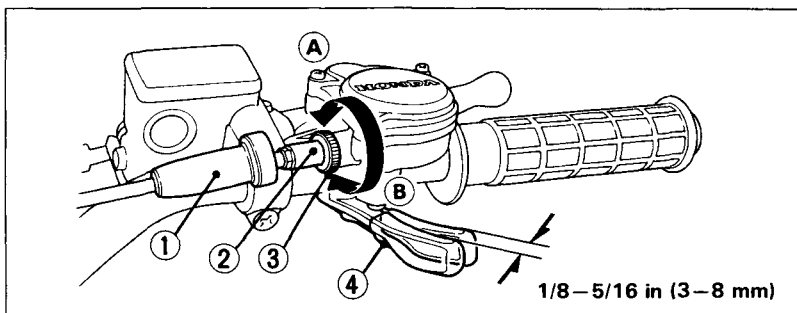


Fig. 4-4

- (1) Rubber sleeve
- (2) Cable adjuster

- (3) Lock nut
- (4) Throttle lever
- (A) To decrease free play
- (B) To increase free play

AIR CLEANER

Air Cleaner Filter

The air cleaner filter accumulates dust and must be cleaned periodically. If the FOURTRAX is ridden in dusty areas, the filter must be cleaned at more frequent intervals than specified in the Maintenance Schedule.

To clean the air cleaner filter:

1. Remove the seat by pulling up the seat lock lever (Fig. 4-5).
2. Unlatch the four retainer clips (2) and remove the air cleaner housing cover (3).

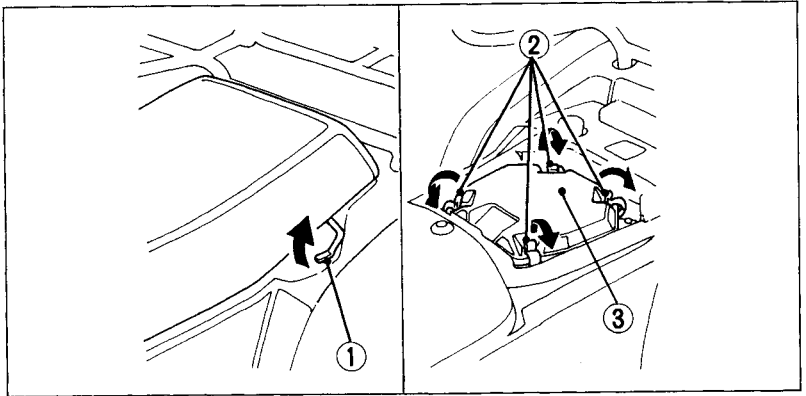


Fig. 4-5

(1) Seat lock lever

(2) Retainer clips

(3) Air cleaner housing cover

3. Remove the screws (Fig. 4-6) and remove the air cleaner assembly (2) from the case.
4. Unscrew the clamp (3) and remove the mounting bracket (4).
5. Remove the filter (5) from the air cleaner body (6).

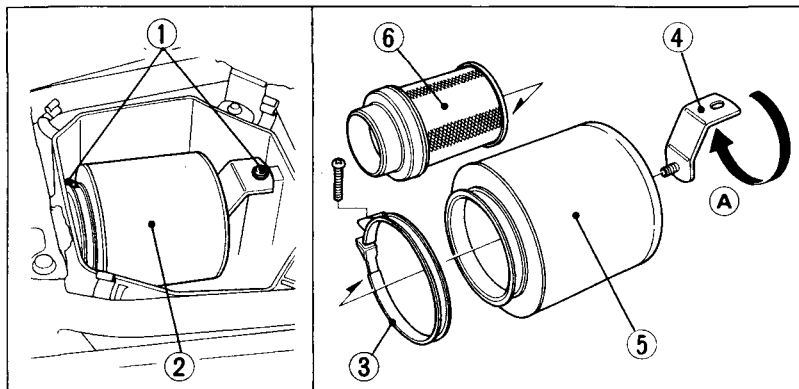


Fig. 4-6

- (1) Screws
- (2) Air cleaner assembly
- (3) Clamp

- (4) Mounting bracket
- (5) Filter
- (6) Air cleaner body
- (A) To release

6. Wash the filter in nonflammable or high flash point solvent and allow it to dry thoroughly.

⚠ WARNING

POTENTIAL HAZARD

Using gasoline or low flash point solvents for cleaning ATV parts.

WHAT CAN HAPPEN

A fire or explosion could result.

HOW TO AVOID THE HAZARD

Use only a nonflammable or high flash point solvent for cleaning ATV parts.

7. Soak the filter in Pro Honda Foam Filter oil or an equivalent until saturated, then squeeze out the excess oil.

CAUTION:

Do not twist the filter element when squeezing out excess oil. Twisting could damage the filter.

8. Reassemble by reversing the disassembly sequence.

Air Cleaner Case Drain Tube

The air cleaner case drain tube (Fig. 4-7) should be serviced in accordance with the Maintenance Schedule. If deposits can be seen in the drain tube, the tube must be cleaned before starting the vehicle.

To clean the drain tube:

1. Remove the drain tube (1) by removing the clip (2).
2. Drain the deposits.
3. Reinstall the drain tube, securing it with the clip.

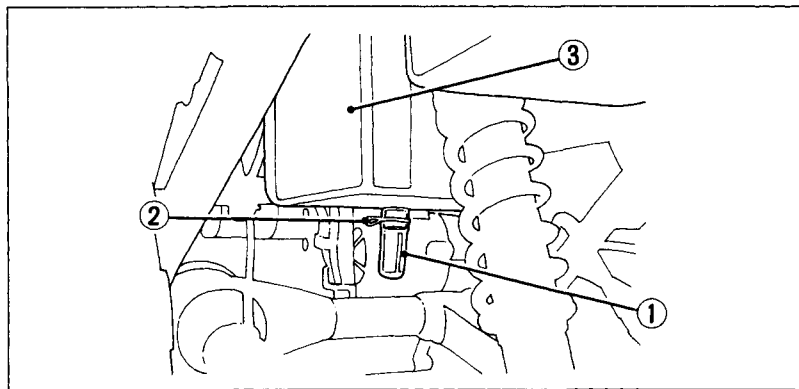


Fig. 4-7

(1) Drain tube

(2) Clip

(3) Air cleaner case

CARBURETOR

Choke Cable and Lever

Check the condition of the choke cable (Fig. 4-8) and the operation of the choke lever (2). If the cable is damaged or kinked, have it replaced by your Honda dealer.

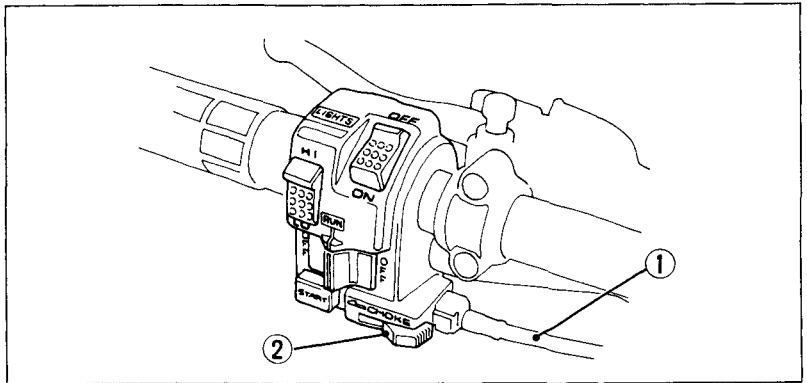


Fig. 4-8

(1) Choke cable

(2) Choke lever

Adjusting Idle Speed and Air-Fuel Mixture

NOTE:

Do not try to compensate for faults in other systems by adjusting the carburetor.

To adjust the idle speed:

1. Warm up the engine. The engine must be warm for accurate idle adjustment. Ten minutes of stop-and-go riding is sufficient.

2. Adjust idle speed by turning the throttle stop screw (Fig. 4-9).
Idle Speed: $1,400 \pm 100$ rpm.

To adjust the air-fuel mixture:

1. Turn the pilot screw (2) clockwise until you hear the engine miss or decrease in speed.
2. Then turn the screw counterclockwise until the engine misses or decreases in speed again.
3. Center the pilot screw exactly between the two extreme positions. Usually, the correct setting (between extremes of rich and lean) will be found at 2-1/4 turns open from a fully closed position.
4. If idle speed changes after adjusting the fuel mixture, readjust the throttle stop screw.

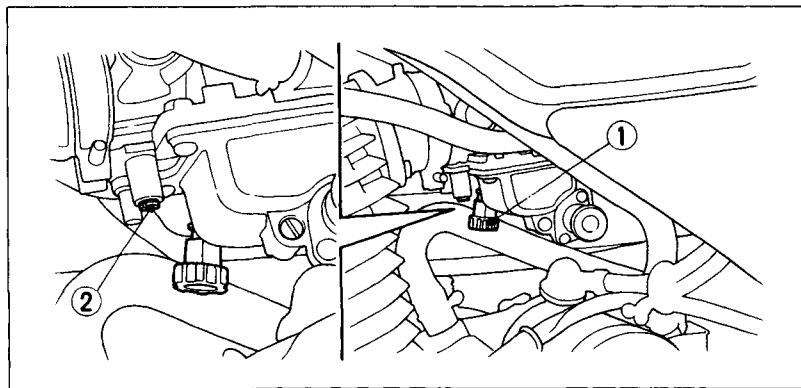


Fig. 4-9

(1) Throttle stop screw

(2) Pilot screw

High Altitude Adjustment

When operating this FOURTRAX above 3,000 feet (1,000 m), the air-fuel mixture becomes overly rich. This may result in poor engine performance and increased fuel consumption.

A high altitude jet is available to compensate for high altitude richness (see the table below). For those who are mechanically proficient and have the necessary tools, installation and adjustment procedures are given in the official Honda Service Manual available from your Honda dealer. All others should have this carburetor modification performed by an authorized Honda dealer.

CAUTION:

Sustained operation with the high altitude jet at altitudes below 5,000 feet (1,500 m) may cause engine overheating and damage.

Altitude range	Main jet	Pilot screw
0—5,000 feet (0—1,500 m)	No. 125	Factory preset
3,000—8,000 feet or higher (1,000—2,500 m)	No. 120	Screw in 3/4 turn from factory preset

LUBRICATION

ENGINE OIL

Checking Engine Oil Level and Adding Oil

Check the engine oil level each day before operating your FOURTRAX and add oil if needed.

To check the oil level:

1. Make sure the vehicle is on level ground.
2. Start the engine and let it idle for a few minutes.
3. Stop the engine.
4. After a few minutes, remove the oil filler cap/dipstick (Fig. 4-10) from the right crankcase cover and wipe it clean.
5. Insert the dipstick without screwing it in, then remove the dipstick and check the oil level. The oil level should be between the upper level mark (2) and the lower level mark (3) on the dipstick.
6. If required, add the specified oil into the filler cap hole, up to the upper level mark on the dipstick. Do not overfill.
7. Reinstall the oil filler cap/dipstick.

CAUTION:

Running the engine with improper oil level can cause serious engine damage.

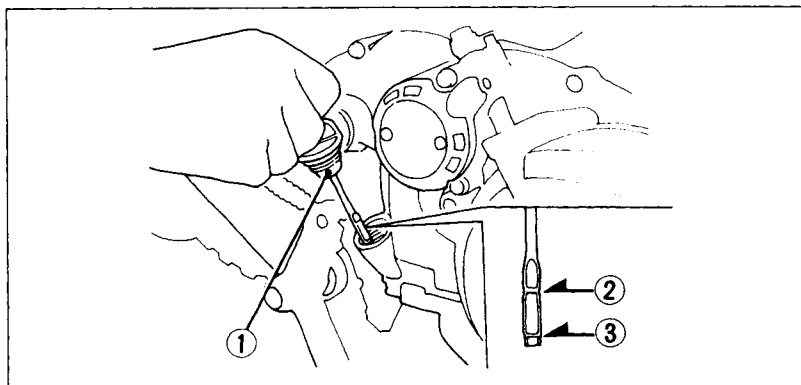


Fig. 4-10

(1) Oil filler cap/dipstick

(2) Upper level mark

(3) Lower level mark

Engine Oil Recommendations

Recommended Oil Viscosity: SAE 10W-40. Other viscosities shown in Fig. 4-11 may be used when the average temperature in your riding area is within the indicated range.

USE PRO HONDA GN4 4-STROKE OIL OR AN EQUIVALENT

Do not use oils with graphite or molybdenum additives. They may adversely affect clutch operation. Use only high detergent, premium quality motor oil certified to meet API Service Classification SF or SG. Motor oils intended for Service SF or SG will show this designation on the container. The use of special oil additives is unnecessary and will only increase operating expenses.

NOTE:

- * Engine oil is a major factor affecting the performance and service life of the engine. Nondetergent, vegetable, or castor based racing oils are not recommended.

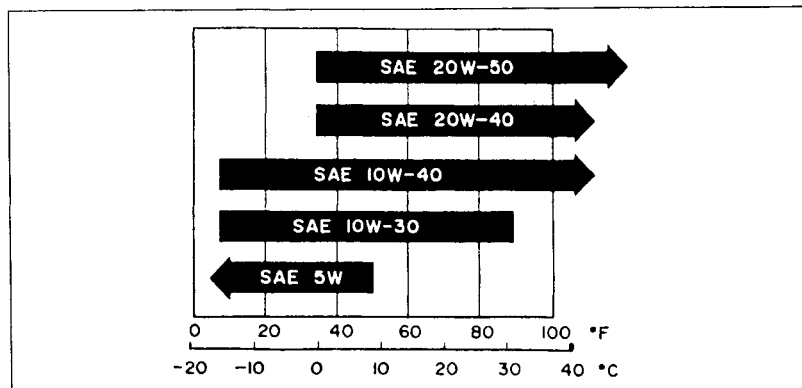


Fig. 4-11

Recommended oil viscosities

Changing the Engine Oil and Oil Filter

Engine oil should be changed in accordance with the Maintenance Schedule. Use motor oils of the grade and viscosity recommended.

When changing oil, drain the oil from the crankcase while the engine is still warm. This will ensure complete and rapid draining.

To change the oil and oil filter:

1. With the FOURTRAX on level ground, remove the oil filler cap/dipstick from the right crankcase cover (Fig. 4-10).
2. Place an oil drain pan under the crankcase and remove the oil drain plug (Fig. 4-12).

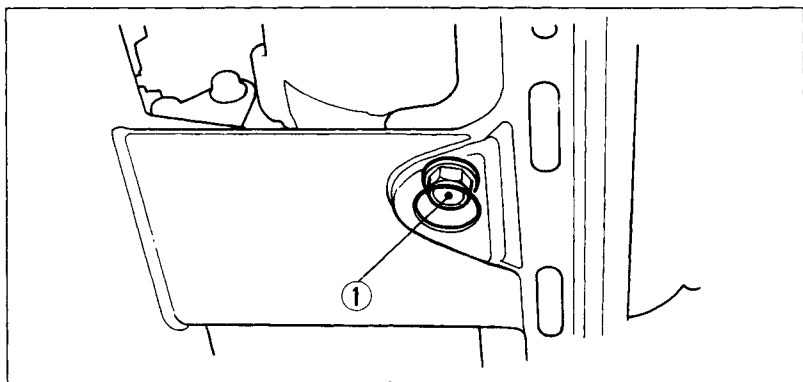


Fig. 4-12

(1) Oil drain plug

3. Remove the oil filter cover (Fig. 4-13) by removing the screws. Let the remaining oil drain out.
Discard the oil filter (2).
4. Check that the oil filter cover O-rings (3) are in good condition and then install a new oil filter. Use only the Honda genuine oil filter or a filter of equivalent quality specified for your model. Using the wrong Honda filter or a non-Honda filter which is not of equivalent quality may cause engine damage.
5. Install the filter with the rubber seal facing out, away from the engine. You will see the "OUT-SIDE (TOWARDS FILTER COVER)" mark on the filter body, near the seal.

CAUTION:

Improper installation of the oil filter can cause serious engine damage.

6. Reinstall the oil filter cover (1), making sure the bolts are tightened securely.

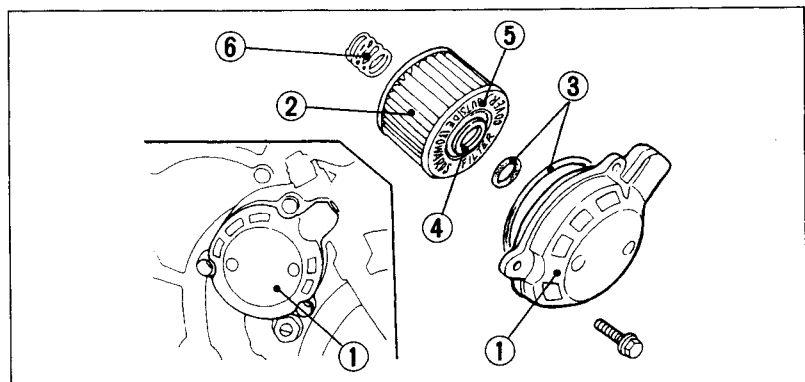


Fig. 4-13

(1) Oil filter cover

(2) Oil filter

(3) O-rings

(4) Rubber seal

(5) OUT-SIDE mark

(6) Spring

7. Check that the drain plug sealing washer is in good condition, then reinstall the oil drain plug securely.
8. Fill the crankcase with approximately 2.3 US qt (2.2 ℓ) of the recommended oil.
9. Reinstall the oil filler cap/dipstick.
10. Start the engine and let it idle for a few minutes.
11. Stop the engine and check the oil level. Make sure the oil is between the upper and lower level marks on the dipstick.
If necessary, add more oil but do not overfill.

CAUTION:

Running the engine with improper oil level can cause serious engine damage.

NOTE:

To protect the environment, please dispose of used engine oil properly. We suggest you place used oil in a sealed container and take it to your local service station for reclamation. Do not put it in the trash or pour it on the ground.

REAR FINAL GEAR CASE OIL

Change the oil in the rear final gear case when specified by the Maintenance Schedule. Change the oil with the final gear case warm, and the FOURTRAX on level ground to assure complete and rapid draining.

To change the rear final gear case oil:

1. To drain the oil, first place an oil drain pan under the oil drain plug (Fig. 4-14).
2. Remove the oil filler cap (1) and the drain plug (2).
3. After the oil has completely drained, reinstall the drain plug. Drain Plug Torque: 9 ft-lb (12 N·m, 1.2 kg-m).
4. Fill the gear case with the recommended oil.

Rear final gear case oil: 3.0 US oz (90 cc).

Recommended oil: Honda shaft drive oil or equivalent HYPOID GEAR OIL SAE 80

Make sure the oil level reaches the lower edge of the inspection hole (3).

5. Install the oil filler cap.

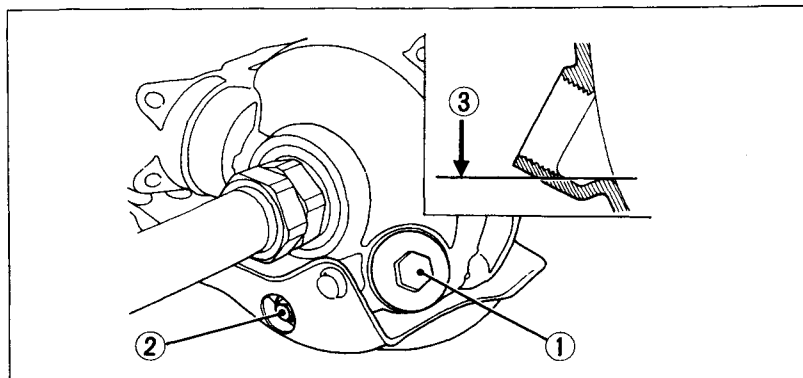


Fig. 4-14

- (1) Oil filler cap
- (2) Drain plug
- (3) Lower edge of inspection hole

ENGINE

SPARK PLUG

The standard spark plug is DPR8EA-9 (NGK)
or X24EPR-U9 (NIPPONDENSO).

For cold climate (Below 5°C, 41°F): DPR7EA-9 (NGK) or
X22EPR-U9 (NIPPONDENSO)

For extended high speed riding: DPR9EA-9 (NGK) or
X27EPR-U9 (NIPPONDENSO)

CAUTION:

Using a spark plug of incorrect size or heat range can cause serious engine damage.

To check and change the spark plug:

1. Disconnect the spark plug cap.
2. Clean any dirt from around the spark plug base.
3. Remove the plug with the wrench provided in the tool kit.
4. Visually inspect the spark plug electrodes for wear. The center electrode (Fig. 4-15) should have a flat tip and sharp edges, and the side electrode (2) should not be eroded. If the electrodes and insulator tip appear unusually fouled or burned, we suggest that you contact your authorized Honda dealer.
5. Discard the spark plug if there is apparent wear or if the insulator is cracked or chipped.
6. Using a wire-type feeler gauge, make sure that the spark plug gap is 0.031—0.035 in (0.8—0.9 mm). If adjustment is necessary, bend the side electrode carefully.
7. With the plug washer attached, thread the spark plug in by hand to prevent cross-threading.
8. After threading by hand, tighten a new spark plug 1/2 turn with the spark plug wrench to compress the washer. If you are reusing a plug, it should only take 1/8—1/4 turn after the plug seats.

CAUTION:

The spark plug must be securely tightened. An improperly tightened plug can become very hot and possibly damage the engine.

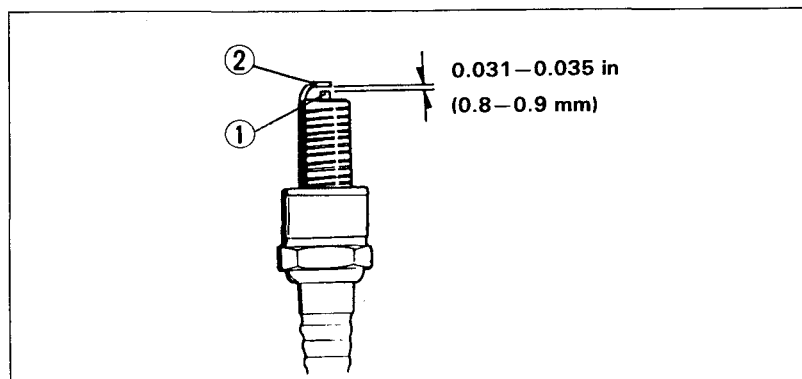


Fig. 4-15 (1) Center electrode (2) Side electrode

VALVES

Valve clearance should be maintained at 0.006 in (0.15 mm). Excessive clearance will cause noise. Insufficient clearance will cause loss of power and possibly damage the valves.

For those who are mechanically proficient and have the proper tools, instructions on adjusting valve clearances are given in the official Honda Service Manual. All others should have valves adjusted by an authorized Honda dealer.

CLUTCH

Clutch Adjustment

To adjust the clutch:

1. Make sure the ignition switch is OFF.
2. Loosen the lock nut (Fig. 4-16), and turn the clutch adjuster (2) counterclockwise until you feel slight resistance.
3. Then turn the adjuster 1/4 turn clockwise, and tighten the lock nut to hold the adjuster in this position.
4. After adjustment, start the engine and test ride the FOURTRAX to be sure the clutch is operating properly.

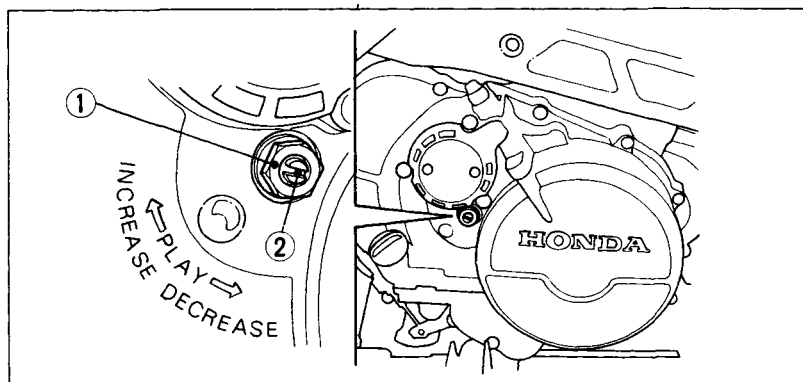


Fig. 4-16 (1) Lock nut

(2) Clutch adjuster

Reverse Lock System

Measure the reverse assist lever (2) free play. Free play, measured at the lever (2) end near the cable (Fig. 4-17), should be within 1/16—1/8 in (2—4 mm).

To adjust, loosen the lock nut (3) and turn the adjusting nut (4). Tighten the lock nut securely.

Other Checks:

Check the reverse assist lever and cable for loose connections or other damage. If the cable is worn or kinked, have it replaced by your Honda dealer.

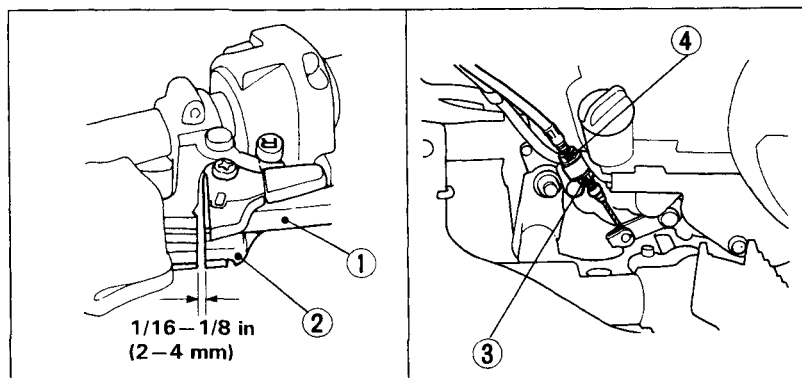


Fig. 4-17

(1) Rear brake lever
(2) Reverse assist lever

(3) Lock nut
(4) Adjusting nut

ELECTRICAL SYSTEM

BATTERY

Your FOURTRAX battery is located in a compartment under the seat. The battery is sealed, so it is not necessary to check the electrolyte level or add distilled water. If the battery seems weak, see your authorized Honda dealer for information on recharging or replacement. If you replace the battery, choose one that is sealed and equivalent to the original. Be sure to read and follow all safety precautions indicated on the battery.

CAUTION:

Do not attempt to remove the caps from the battery cells as this may damage the battery.

Although the battery is sealed, it vents explosive gases and should be handled with appropriate care.

▲ WARNING

POTENTIAL HAZARD

Allowing open flames or sparks near the battery.

WHAT CAN HAPPEN

Gases may explode and possibly cause injury.

HOW TO AVOID THE HAZARD

Do not allow open flames or sparks near the battery.

When the FOURTRAX is to be stored for an extended period, remove the battery from the vehicle and charge it fully. Then store it in a cool, dry place. If the battery is to be left on the vehicle, disconnect the negative cable from the battery terminal.

Battery Removal

1. Make sure the ignition switch is OFF.
2. Remove the seat (page 129).
3. Remove the battery box cover (1) by removing the mount bolts (2).
4. Remove the battery holder (3) by removing the mount bolts (4).
5. Disconnect the negative (-) terminal lead (5) from the battery (6) first, then disconnect the positive (+) terminal lead (7).
6. Remove the battery.
 - * Install in the reverse order of removal.
 - * After installing the battery, check to see if the battery cables are routed correctly as shown on the label (8).
 - * Check all bolts and other fasteners are secure.

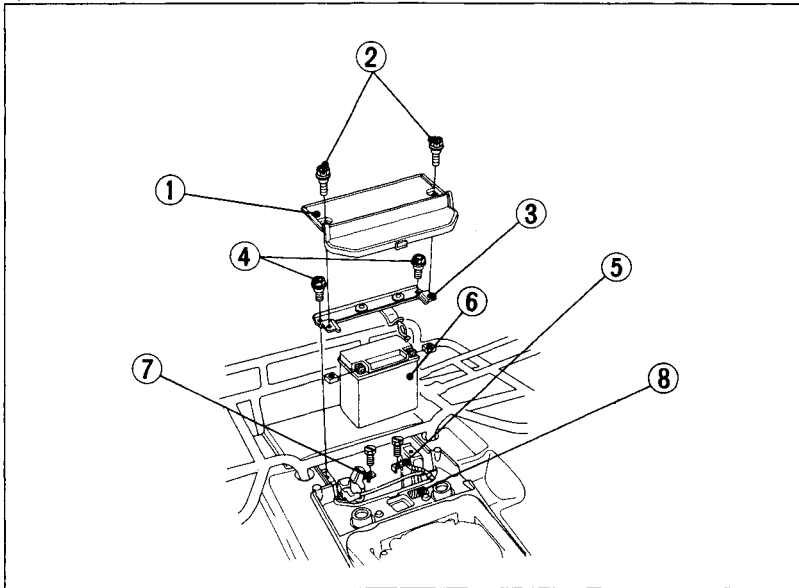


Fig. 4-18

- (1) Battery box cover
- (2) Mount bolts
- (3) Battery holder
- (4) Mount bolts
- (5) Negative (-) terminal lead
- (6) Battery
- (7) Positive (+) terminal lead
- (8) Caution label

FUSES

As illustrated in Fig. 4-19, the main fuse (1), the sub fuse (2) and the spare fuse (3) are located in the battery compartment. Both the main fuse and the sub fuse are 15 A. (The main fuse is connected to the red wire.)

If a fuse fails frequently, it usually indicates a short circuit or an overload in the electrical system. See your authorized Honda dealer for repair.

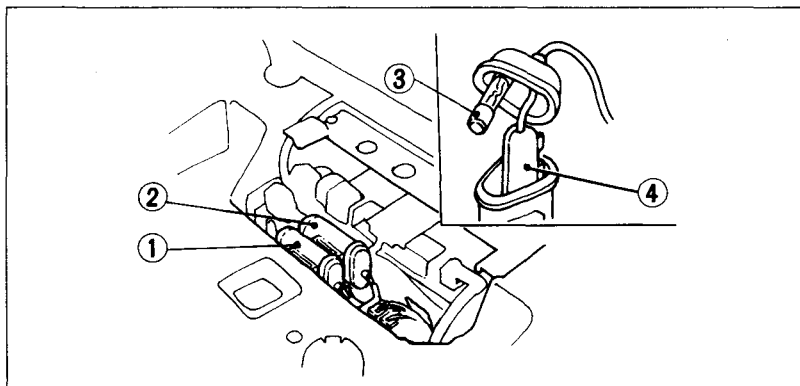


Fig. 4-19 (1) Main fuse (Red wire) (3) Spare fuse
 (2) Sub fuse (Pink wire) (4) Fuse holder

To replace a fuse:

1. Make sure the ignition switch is OFF.

CAUTION:

Turn the ignition switch OFF before checking or replacing the fuse to prevent accidental short-circuiting which could damage the electrical system.

2. Open the fuse holder (Fig. 4-20) and lift out the fuse with the clips (2).
3. Slide the old fuse out of the clips and discard it.
4. Slide the clips onto the ends of the new fuse, push them back into the fuse holder, and close the fuse holder.

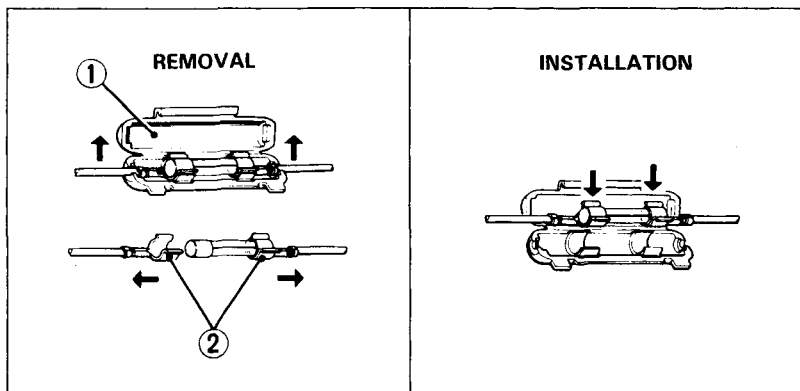


Fig. 4-20

- (1) Fuse holder
- (2) Clips

▲WARNING

POTENTIAL HAZARD

Improperly replacing a fuse.

WHAT CAN HAPPEN

Serious damage to the electrical system, which could cause a fire or a loss of lights or engine power, which could lead to an accident.

HOW TO AVOID THE HAZARD

Never use a fuse with a different rating from that specified in this Owner's Manual.

Do not pry the clips open to get a fuse out, as a loose fuse could cause damage to the electrical system or start a fire.

BRAKES

FRONT BRAKES

This FOURTRAX has hydraulic front drum brakes on both front wheels. Each day before riding you should check the brake lever free play and inspect the system for fluid leaks. The brake fluid level should be checked frequently, and the brake shoe linings should be inspected periodically.

To check lever free play and shoe lining clearance:

1. Measure the distance the brake lever (Fig. 4-21) moves before the brakes start to take hold. Free play, measured at the tip of the front brake lever (1) should be within 1—1-1/4 in (25—30 mm).

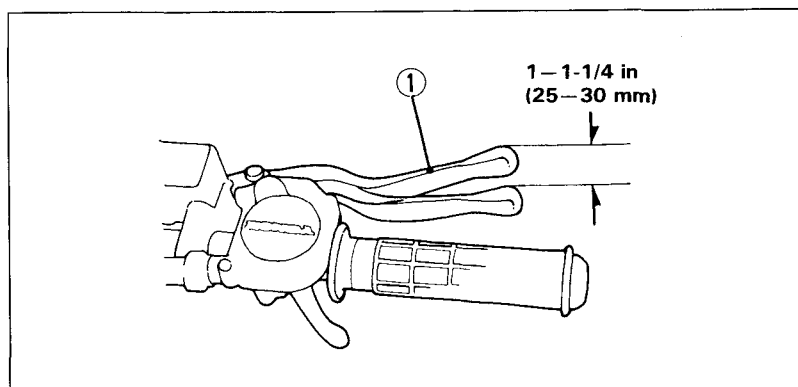


Fig. 4-21

(1) Front brake lever

2. Remove the inspection hole plug (Fig. 4-22) and measure the lining thickness (2) on both front wheels.

Lining Thickness: Standard: 0.16 in (4.0 mm)

Service Limit: 0.04 in (1.0 mm)

If either lining is worn beyond the limit, both brake shoes must be replaced by an authorized Honda dealer.

3. If the brake lever free play and the brake shoe lining thicknesses are within the recommended limits, reinstall the inspection hole plugs, seating them into the inspection holes as shown in Fig. 4-22.
4. If the brake lever free play is excessive but the linings are not worn beyond the service limit, adjust the brake lining clearance.

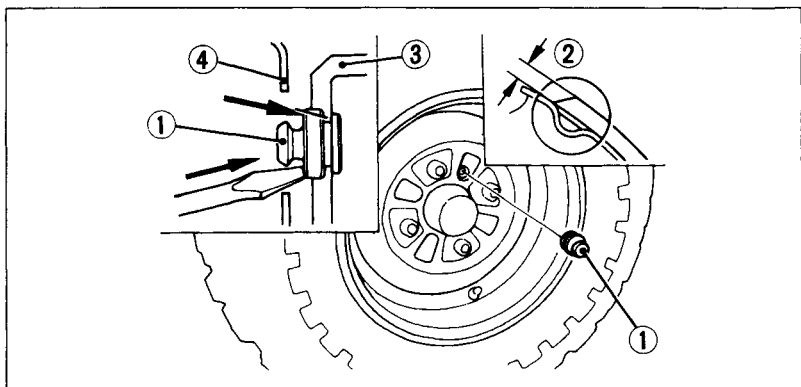


Fig. 4-22

(1) Inspection hole plug

(2) Lining thickness

(3) Front brake drum

(4) Front wheel rim

To adjust the brake lining clearance:

1. Squeeze the brake lever firmly two or three times then release it.
2. Raise the front wheels off the ground by placing a support block under the vehicle.
3. Beginning with either the left or right front wheel, remove the inspection hole plug (Fig. 4-22) and line up the hole with one of the brake adjusters (Fig. 4-23).
4. Using a screwdriver, turn up the brake shoe adjuster (1) until the front brake locks.

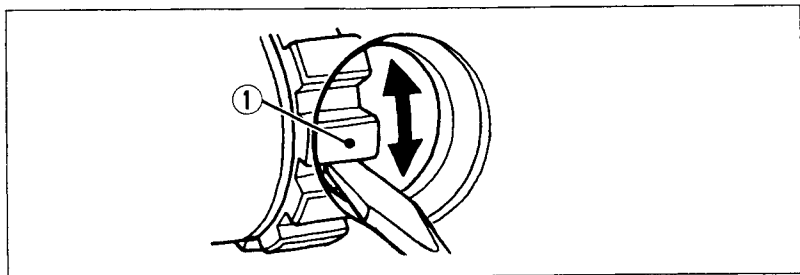


Fig. 4-23

(1) Brake adjuster

5. Back the adjuster off three clicks, then squeeze the brake lever several times. Spin the wheel manually to make sure the brake does not drag.
6. Line up the inspection hole with the second adjuster and repeat steps 3 through 5.
7. Reinstall the inspection hole plug, seating it into the inspection hole as shown in Fig. 4-22.
8. Follow steps 3 through 7 to adjust the other front brake.
9. Recheck the brake lever free play. If free play is still excessive after adjusting the brake lining clearance, there is probably air in the brake system and it must be bled out. See your authorized Honda dealer for this service.

While reading this manual, remember:



Indicates a strong possibility that serious injury or death may result if instructions are not followed.

To check the brake fluid level:

Brake fluid must be added to the reservoir (Fig. 4-24) whenever the fluid level approaches the lower level mark (7). Use only DOT 3 or 4 brake fluid.

NOTE:

If the fluid level approaches the lower level mark (7), the brake system should be inspected by your authorized Honda dealer. A low fluid level may indicate fluid leakage. Brake failure may occur if this condition exists and is not corrected.

CAUTION:

- * **To prevent damage to the brake system, use only fluid from a sealed container. Never allow contaminants (dirt, water, etc.) to enter the brake fluid reservoir.**
 - * **Brake fluid can damage paint and plastic, so handle the fluid with care. When adding brake fluid, be sure the reservoir is horizontal before removing the cover to prevent accidental spilling.**
1. Remove the screws (1), reservoir cap (2), diaphragm plate (3), diaphragm (4) and float (5).
 2. Fill the reservoir with the recommended brake fluid up to the upper level mark (6).
 3. Reinstall the parts in the reverse order of removal.

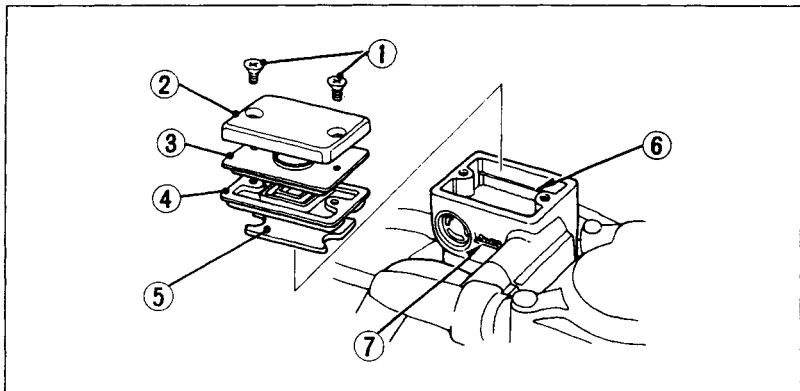


Fig. 4-24

- | | |
|---------------------|----------------------|
| (1) Screws | (5) Float |
| (2) Reservoir cap | (6) Upper level mark |
| (3) Diaphragm plate | (7) Lower level mark |
| (4) Diaphragm | |

▲ WARNING

POTENTIAL HAZARD

Brake fluid contacting the skin or eyes.

WHAT CAN HAPPEN

May cause irritation.

HOW TO AVOID THE HAZARD

Avoid contacting brake fluid with the skin or eyes. In case of contact, flush thoroughly with water and call a doctor if your eyes were exposed.

Other Checks:

1. Make sure there are no fluid leaks.
2. Check the condition of brake hoses and fittings. If the hoses are worn or cracked, have them replaced by an authorized Honda dealer.

REAR BRAKE

This FOURTRAX has a single mechanical drum brake on the rear axle housing. Each day before riding you should check the operation of both the rear brake pedal and the rear brake lever. You should also periodically check the brake shoes for wear.

To check and adjust brake pedal free play:

Measure the distance the rear brake pedal moves before the brake starts to take hold. Free play, measured at the end of the pedal (Fig. 4-25), should be $5/8$ — $3/4$ in (15—20 mm).

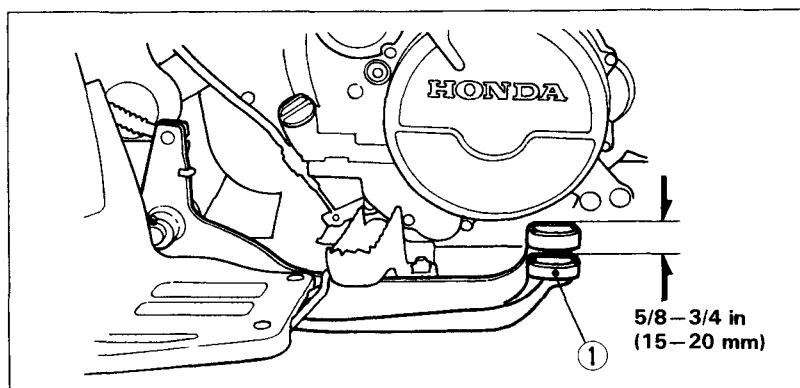


Fig. 4-25

(1) Rear brake pedal

To adjust the free play, turn the brake pedal adjusting nut (Fig. 4-26), located on the brake operating rod at the rear of the frame.

NOTE:

Make sure the cut-out on the adjusting nut is properly seated on the brake arm pin (3).

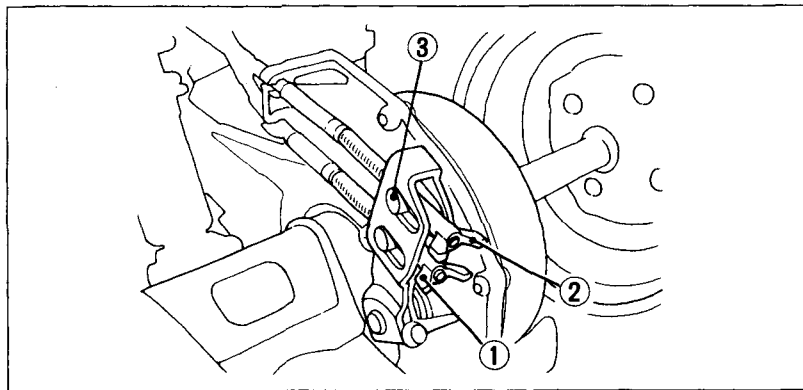


Fig. 4-26

- (1) Brake pedal adjusting nut
- (2) Brake lever adjusting nut
- (3) Brake arm pin

To check and adjust brake lever free play:

Measure the distance the rear brake lever moves before the brake starts to take hold. Free play, measured at the tip of the brake lever (Fig. 4-27), should be within 5/8—3/4 in (15—20 mm).

Minor adjustments can be made with the adjuster (2) on the brake lever. Loosen the lock nut (3) and turn the adjuster. Major adjustments should be made using the brake lever adjusting nut on the brake arm (Fig. 4-28).

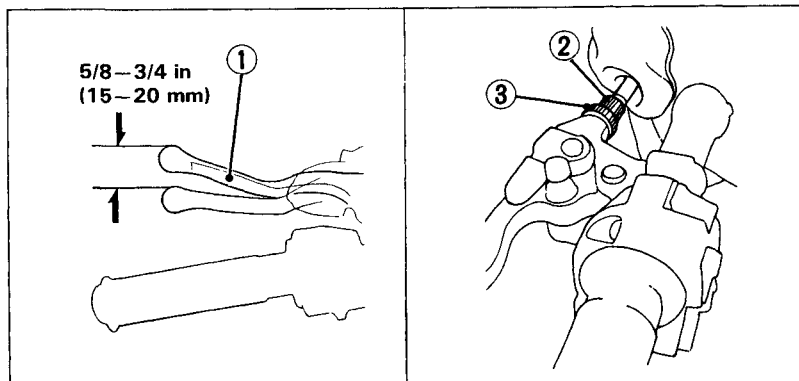


Fig. 4-27

(1) Brake lever

(2) Adjuster

(3) Lock nut

To check rear brake shoe wear:

When the brake is applied, an arrow (3) attached to the brake arm (2) moves toward a reference mark (4) on the brake panel (see Fig. 4-28).

If the arrow aligns with the reference mark on full application of the brake, the brake shoes must be replaced. See your authorized Honda dealer for this service.

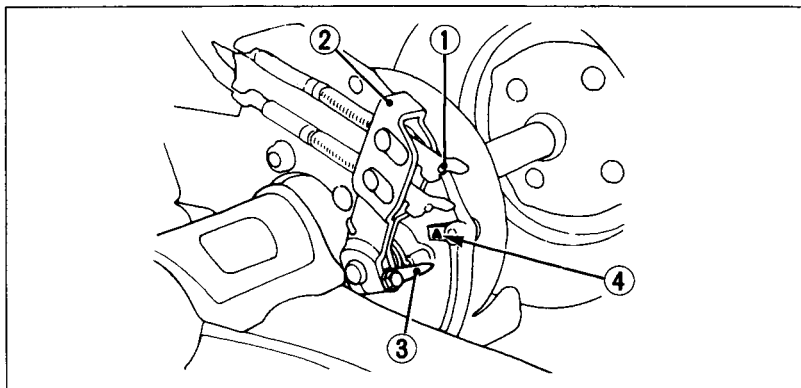


Fig. 4-28

(1) Brake lever adjusting nut

(2) Brake arm

(3) Arrow

(4) Reference mark

Other Checks:

Check the condition of the brake cables. If there are kinks or signs of wear that could cause sticking or failure, have the cables replaced by an authorized Honda dealer. Make sure the brake arm, spring, and fasteners are in good condition.

DRAINING WATER FROM BRAKES

Make sure the engine is off and the parking brake is set. Then remove the inspection hole plug (Fig. 4-29) from the front brakes, and the drain bolt (Fig. 4-30) from the bottom of the rear brake cover. If any water drains, the brake seals must be replaced by your Honda dealer as soon as possible.

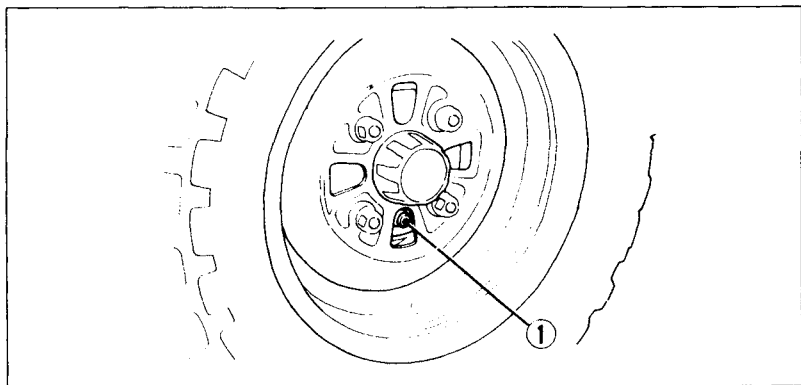


Fig. 4-29

(1) Front brake inspection hole plug

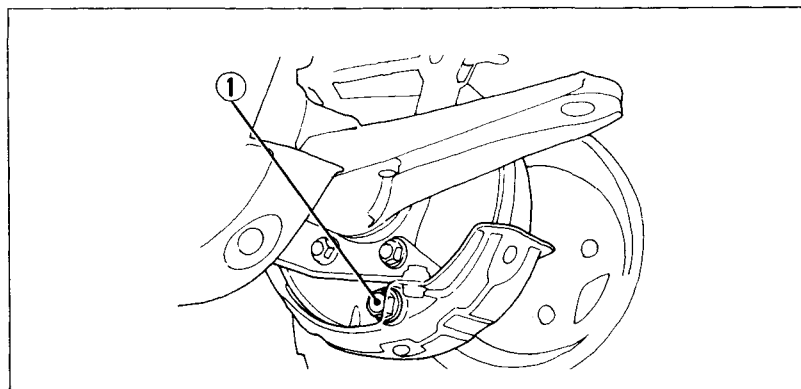


Fig. 4-30

(1) Rear brake drain bolt

WHEELS AND TIRES

WHEEL REMOVAL

If you need to remove a wheel from your FOURTRAX, follow these procedures:

1. Raise the front (or rear) wheels off the ground and place a support securely under the vehicle.
2. Loosen the wheel nuts (Fig. 4-31) with a 17 mm socket wrench.
3. Remove the wheel.

When reinstalling a wheel, tighten the wheel nuts in a crisscross (rather than a circular) pattern to 47 ft-lb (65 N·m, 6.5 kg-m). Be sure the tapered side of the wheel nuts face the wheel rim (2).

▲ WARNING

POTENTIAL HAZARD

Installing wheels improperly.

WHAT CAN HAPPEN

A wheel may come loose, possibly leading to an accident.

HOW TO AVOID THE HAZARD

Carefully follow the instructions in this Owner's Manual when installing wheels.

NOTE:

If a torque wrench was not used for installation, see your authorized Honda dealer before operating the vehicle to verify proper assembly.

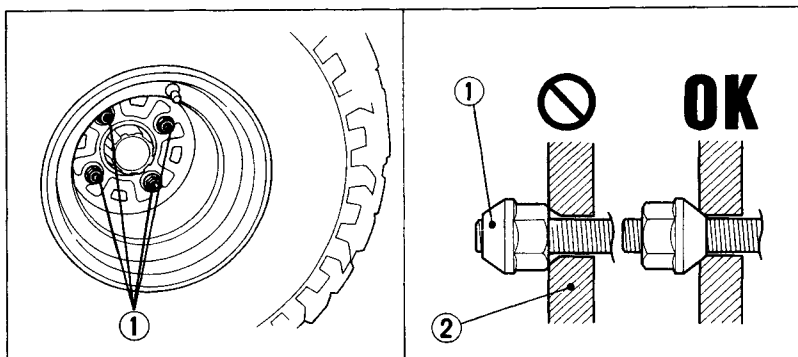


Fig. 4-31 (1) Wheel nuts

(2) Wheel rim

TIRES

This FOURTRAX is equipped with low pressure tubeless tires. Although the tires are designed specifically for off-road use, they are not immune to punctures. Always select your riding area with care.

Tire Pressure

Check the tire pressure frequently with the air pressure gauge supplied with the vehicle. For normal use, the tires should be inflated to the pressure recommended in Fig. 4-32.

NOTE:

- * Tire pressure should be checked before you ride, when the tires are "cold." Be sure to check tire pressure at the riding site, since changes in altitude can affect air pressure.

- * A manually operated tire pump should be used rather than the high pressure systems found in service stations. This will minimize the possibility of tire damage from overinflation.

	FRONT	REAR
TIRE SIZE	AT 23 × 8-11 ★★	AT 25 × 11-9 ★
TIRE BRAND	ATT 911 GOOD YEAR	ATT 912 GOOD YEAR
RECOMMENDED PRESSURE	2.9 psi (20 kPa, 0.20 kg/cm ²)	2.9 psi (20 kPa, 0.20 kg/cm ²)
MAXIMUM PRESSURE	3.3 psi (23 kPa, 0.23 kg/cm ²)	3.3 psi (23 kPa, 0.23 kg/cm ²)
MINIMUM PRESSURE	2.5 psi (17 kPa, 0.17 kg/cm ²)	2.5 psi (17 kPa, 0.17 kg/cm ²)

Fig. 4-32

Tire specifications

▲ WARNING

POTENTIAL HAZARD

Operating this ATV with improper tires, or with uneven tire pressure.

WHAT CAN HAPPEN

Use of improper tires on this ATV, or operation of this ATV with improper or uneven tire pressure, may cause loss of control, increasing your risk of an accident.

HOW TO AVOID THE HAZARD

Always use the size and type tires specified in this Owner's Manual for this vehicle.

Always maintain proper tire pressure as described in this Owner's Manual.

Tire Tread Condition

To check the condition of a tire tread, measure the groove depth (1) in the center of the tire, or check the wear indicator (2) as shown in Fig. 4-33. The minimum tread depth is 0.16 in (4 mm). When the tread depth is less than recommended, the tire should be replaced.

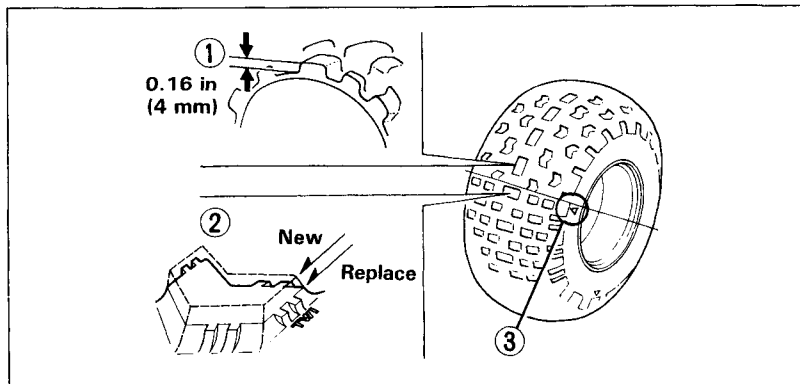


Fig. 4-33

(1) Groove depth

(2) Wear indicator

(3) Wear indicator location mark

Repairing a Flat Tire

If you have a flat tire, use the plug method to make a temporary repair. (The plug method is applied from the outside of the tire and is the same as that for conventional tubeless tires.)

A plug-type repair kit, available at most auto parts stores or service stations, provides a plug, an installation tool, tire cement, and an instruction sheet. Follow the instructions provided with the repair kit to make a temporary repair.

As soon as possible, have the tire permanently repaired by an authorized Honda dealer. Any tire that cannot be repaired should be replaced.

Whenever the FOURTRAX is to be operated far from service facilities or available transportation, we recommend that you carry a tire pump and a repair kit with the vehicle.

SEAT REMOVAL

To remove the seat (Fig. 4-34), pull up the seat lock lever (1) at the left side of the seat, then slide the seat backwards and lift it up.

To reinstall the seat, slide the front prong (3) into the recess (4) and press the seat down until it locks.

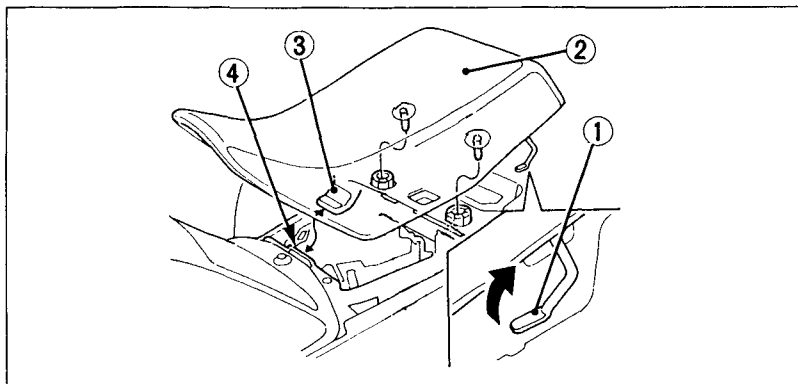


Fig. 4-34

(1) Seat lock lever

(2) Seat

(3) Front prong

(4) Recess

SKID PLATES

The skid plate (Fig. 4-35) protect the frame, lower arm, rear final gear case and the rear brake. Check the plates for cracks, damage or looseness at intervals shown in the Maintenance Schedule.

Have the skid plate replaced if it is cracked or damaged. If the plate bolts are loose, tighten them securely.

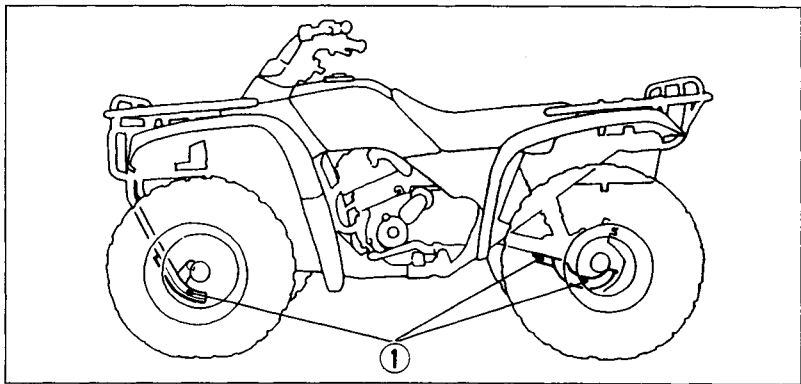


Fig. 4-35

(1) Skid plates

While reading this manual, remember:

⚠ WARNING

Indicates a strong possibility that serious injury or death may result if instructions are not followed.

SPARK ARRESTER

The exhaust system must be periodically purged of accumulated carbon. To purge the system:

1. Select a well-ventilated area and make sure the exhaust pipe is cool.
2. Remove the bolt. (Fig. 4-36)
3. Start the engine and rev it up approximately twenty times while momentarily creating exhaust system back pressure by blocking the end of the muffler with a shop towel.
4. Stop the engine and allow the exhaust pipe to cool.
5. Reinstall the bolt securely.

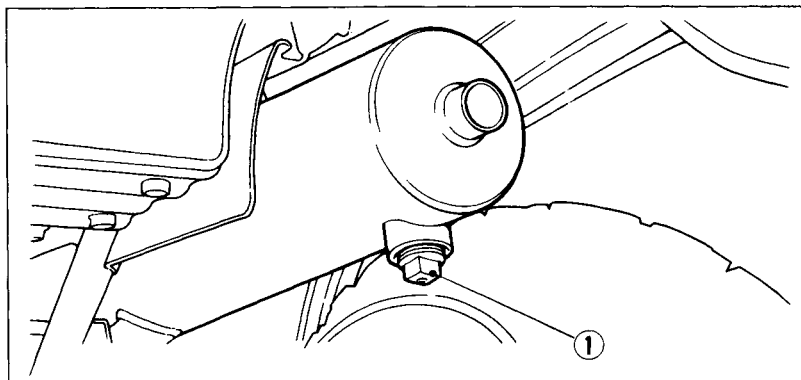


Fig. 4-36

(1) Bolt

▲ WARNING

POTENTIAL HAZARD

Improperly purging the exhaust system.

WHAT CAN HAPPEN

Could injure the eyes.

Could cause burns.

Could cause carbon monoxide poisoning, possibly leading to death.

Could start a fire.

HOW TO AVOID THE HAZARD

When purging the exhaust system:

Always wear eye protection, and make sure no one stands behind the vehicle.

Always let the exhaust system cool before performing this operation.

Never run the engine in an enclosed area.

Make sure there are no combustible materials in the area.

TRANSPORTING YOUR FOURTRAX

When you transport your FOURTRAX, we recommend that you carry the vehicle in its normal operating position (on all four wheels) and follow these procedures:

1. Set the parking brake and place the transmission in gear.
2. Turn the fuel cap lever and fuel valve OFF.
3. Secure the vehicle with "tie downs" in the areas shown. Suitable "tie downs" are available from your Honda dealer. Ordinary rope is not recommended because it can stretch under load.

CAUTION:

Using tie downs in any other areas can damage your FOURTRAX.

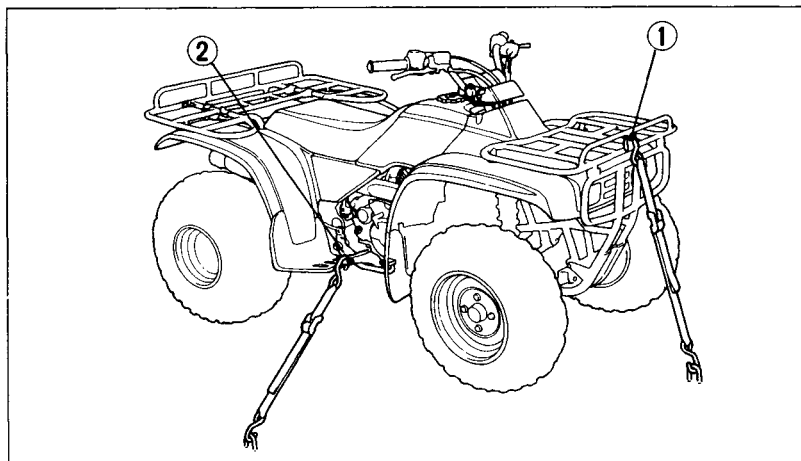


Fig 4-37 Points to secure (1) Front cargo rack
FOURTRAX with (2) Right footpeg
tie downs

▲ WARNING

POTENTIAL HAZARD

Inclining this ATV without first draining fuel from the carburetor.

WHAT CAN HAPPEN

The fuel could explode or ignite.

HOW TO AVOID THE HAZARD

Always drain fuel from the carburetor before inclining this ATV.

Always handle fuel in a well-ventilated area with the engine off. Do not smoke or allow flames or sparks in the area where fuel is handled.

If any fuel is spilled, make sure the area is dry before starting the engine.

▲ WARNING

POTENTIAL HAZARD

**Prolonged contact of fuel with the skin.
Breathing fuel vapor.**

WHAT CAN HAPPEN

**The fuel can cause skin irritation.
Fuel vapor could cause lung damage.**

HOW TO AVOID THE HAZARD

Avoid repeated or prolonged contact of fuel with the skin or breathing of fuel vapor.

KEEP OUT OF REACH OF CHILDREN.

STORING YOUR FOURTRAX

STORAGE

Before storing your FOURTRAX for an extended time, be sure you thoroughly check the vehicle for needed repairs and have them corrected. Otherwise, the repairs may be forgotten by the time you remove the vehicle from storage.

In addition, extended storage requires that you take the following steps to reduce the effects of deterioration from non-use of the vehicle:

1. Change the engine oil and oil filter.
2. Drain the fuel tank and carburetor. Be sure to drain the fuel in a well-ventilated area, not in a garage.

▲ WARNING

POTENTIAL HAZARD

Refueling this ATV or handling fuel improperly.

WHAT CAN HAPPEN

The fuel could explode or ignite.

HOW TO AVOID THE HAZARD

Always refuel this ATV and handle fuel in a well-ventilated area with the engine off. Do not smoke or allow flames or sparks in the area where fuel is handled.

Do not overfill the tank. Be careful not to spill fuel when refueling. After refueling, make sure the tank cap is closed properly and securely.

If any fuel is spilled, make sure the area is dry before starting the engine.

▲ WARNING

POTENTIAL HAZARD

Prolonged contact of fuel with the skin.
Breathing fuel vapor.

WHAT CAN HAPPEN

The fuel can cause skin irritation.
Fuel vapor could cause lung damage.

HOW TO AVOID THE HAZARD

Avoid repeated or prolonged contact of fuel with the skin or breathing of fuel vapor.

KEEP OUT OF REACH OF CHILDREN.

3. Spray the inside of the fuel tank with an aerosol rust-inhibiting oil. Reinstall the fuel cap.
4. Remove the spark plug and pour one tablespoon (15—20 cc) of clean engine oil into the cylinder.
Operate the starter for a few seconds to distribute the oil, then reinstall the spark plug. (Make sure the engine stop switch is OFF before pressing the starter button.)
5. Remove the battery and store it in an area protected from freezing temperatures and direct sunlight and out of the reach of children. Slow charge the battery once a month.

▲ WARNING

POTENTIAL HAZARD

Allowing open flames or sparks near the battery.

WHAT CAN HAPPEN

Gases may explode and possibly cause injury.

HOW TO AVOID THE HAZARD

Do not allow open flames or sparks near the battery.

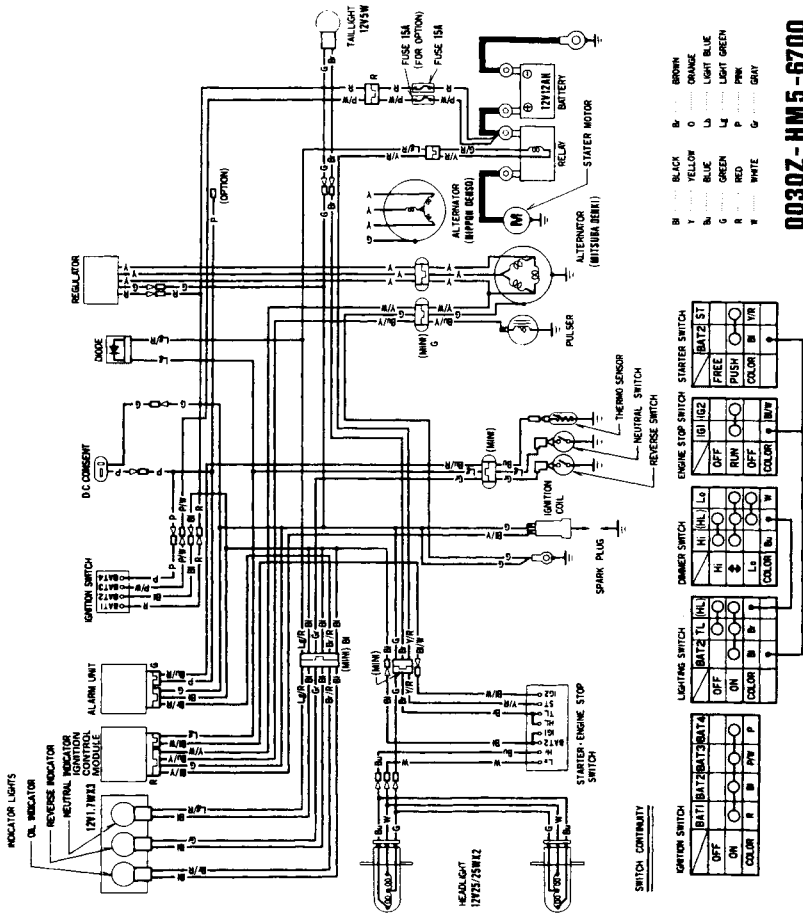
6. Wash and dry the FOURTRAX, and wax all painted surfaces.
7. Inflate the tires to their recommended pressures.
8. Place the FOURTRAX on blocks to raise all four tires off the ground.

SPECIFICATIONS

DIMENSIONS	
Overall length	75.2 in (1,910 mm)
Overall width	43.9 in (1,115 mm)
Overall height	42.8 in (1,088 mm)
Wheelbase	48.8 in (1,239 mm)
WEIGHT	
Dry Weight	487 lbs (221 kg)
CAPACITIES	
Engine oil	2.6 US qt (2.5 ℓ)
Fuel tank	3.3 US gal (12.5 ℓ)
Fuel reserve	0.7 US gal (2.5 ℓ)
ENGINE	
Bore and stroke	2.9 × 2.6 in (74.0 × 65.5 mm)
Compression ratio	9.0:1
Displacement	17.2 cu-in (281.7 cc)
Spark plug gap	0.031—0.035 in (0.8—0.9 mm)
Valve clearance	0.006 in (0.15 mm)
CHASSIS AND SUSPENSION	
Caster angle	7 deg
Trail length	1.26 in (33 mm)
Tire size, Front	AT 23 × 8-11★ ★
Rear	AT 25 × 11-9★
POWER TRANSMISSION	
Primary reduction	2.407
Final reduction	5.684
Gear ratio, SL	4.083
1st	2.388
2nd	1.608
3rd	1.178
4th	0.848
Reverse gear ratio	5.396

ELECTRICAL	
Battery	12 V—12 AH
Generator	0.24 KW/5,000 rpm
LIGHTS	
Head light (Low/High)	12 V 25/25 W × 2
Tail light	12 V 5 W
Neutral indicator light	12 V 1.7 W
Reverse indicator light	12 V 1.7 W
Oil high temperature indicator light	12 V 1.7 W
Fuse	
Sub fuse	15 A
Main fuse	15 A

WIRING DIAGRAM



0030Z-HM5-6700

CONSUMER INFORMATION (USA ONLY)

NOISE EMISSION CONTROL SYSTEM

TAMPERING WITH THE NOISE CONTROL SYSTEM IS PROHIBITED: Federal law prohibits the following acts at the causing thereof: (1) The removal or rendering inoperative by any person, other than for purposes of maintenance, repair, or replacement, of any device or element of design incorporated into any new vehicle for the purpose of noise control prior to its sale or delivery to the ultimate purchaser or while it is in use; or (2) the use of the vehicle after such device or element of design has been removed or rendered inoperative by any person.

AMONG THOSE ACTS PRESUMED TO CONSTITUTE TAMPERING ARE THE ACTS LISTED BELOW:

1. Removal of, or puncturing the muffler, baffles, header pipes or any other component which conducts exhaust gases.
2. Removal of, or puncturing any part of the intake system.
3. Lack of proper maintenance.
4. Replacing any moving parts of the vehicle, or parts of the exhaust or intake system, with parts other than those specified by the manufacturer.

WARRANTY SERVICE

Your satisfaction and goodwill are important to American Honda and to your Honda dealer. All Honda warranty details are explained in the Distributor's Limited Warranty.

Normally, any problems with the product will be handled by your dealer's service department. Sometimes, however, despite the best intentions of all concerned, misunderstandings can occur. If your problem has not been handled to your satisfaction, we suggest you take the following action:

- * Discuss your problem with a member of the dealership management. Often, complaints can be quickly resolved at that level. If the problem has already been reviewed with the Service Manager, contact the owner of the dealership or the General Manager.
- * If your problem still has not been resolved to your satisfaction, contact the Motorcycle Customer Service Department of American Honda Motor Co., Inc. The address is P.O. Box 2220, Torrance, CA 90509-2220. Telephone: (310) 532-9811. We will need the following information in order to assist you:
 1. Your name, address, and telephone number.
 2. The model number and serial number of your FOURTRAX.
 3. Date of purchase.
 4. Dealer's name and address.
 5. The nature of your problem.

After reviewing all the facts, we will advise you of what action can be taken. Please bear in mind that your problem will likely be resolved at the dealership level, using the dealer's facilities, equipment and personnel. So it is very important that your initial contact be with the dealer.

We appreciate your purchase of a Honda FOURTRAX. Both American Honda and your Honda dealer want to assist you in every way possible to assure your complete satisfaction.

SERIAL NUMBERS

The frame, engine and key numbers (Fig 5-1) will be needed when you order replacement parts. Record the numbers here for your reference.

The frame serial number (2) is stamped on the front of the frame. The engine serial number (3) is stamped on the right crankcase.

KEY NO. _____

FRAME NO. _____

ENGINE NO. _____

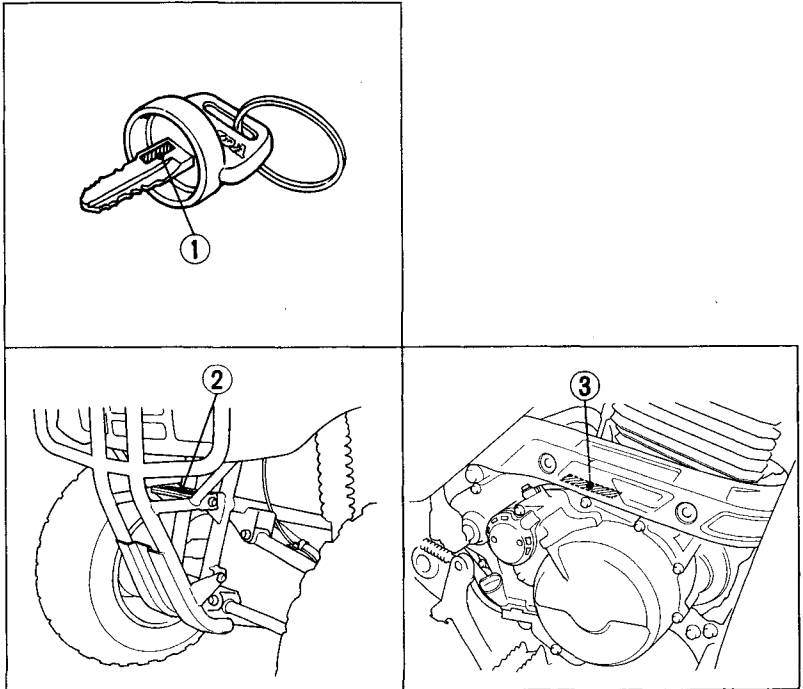


Fig. 5-1 (1) Key number (2) Frame number (3) Engine number

INDEX

A

Accessories	32, 42
Age recommendation	34
Air cleaner	
Case drain tube	94
Filter	91
Air pressure gauge	31
Apparel, recommended	44

B

Battery	108
Brakes	
Brake cables	122
Brake fluid	117
Front brakes	
Adjustment	113
Brake lever	25
Brake lever free play	113
Brake shoes	113
Parking brake	25
Rear brake	
Brake lever	25
Brake lever free play	121
Brake pedal	25
Brake pedal free play	119
Break-in procedures	ii

C

Carburetor	
Air-fuel mixture adjustment	96
High altitude adjustment	97
Idle speed adjustment	95
Cargo carrying	
Loading and operational guidelines	40
Weight limits	39
Choke	
Cable	95
Lever	15, 95

Climbing hills	65
Clutch adjustment	106
Crossing slopes	74
Customer service	144

D

Decompressor lever	18
Dimmer switch	20
Dipstick	28, 98
Direct current (DC) power	
Receptacle	32
Special plug	32

E

Engine	
Idle speed adjustment	95
Break-in procedures	ii
Flooded engine	58
Starting the engine	57
Engine oil	
Changing oil	100
Checking oil level and adding oil	98
Oil filler cap/dipstick	28
Oil filter	100
Oil high temperature indicator lamp	20
Recommendations	99
Engine stop switch	14
Exhaust system	
Cleaning	37
Purging	132

F

Flag pole bracket	30
Flooded engine	58
Fuel	
Fuel recommendations	86
Fuel strainer screen	88
Fuel fill cap	26, 84
Fuel tank cap vent lever	26
Fuel tank capacity	84
Fuel valve	26

High altitude fuel mixture adjustment	97
Refueling	84
Reserve fuel supply	27
Fuses	
Location	111
Replacement	111

G

Gasoline (see Fuel)	
Gearshift pedal	23
Gearshifting	23, 59

H

Headlight switches	20
Helmet holder	29
High altitude fuel mixture adjustment	97
Hills	
Riding across slopes	74
Riding down hills	72
Riding up hills	65
Stopping on hills	67
Turning on slopes	75

I

Idle speed adjustment	95
Ignition switch	13
Indicator lamps	
Neutral indicator lamp	22
Reverse indicator lamp	22
Inspection, pre-ride	36

K

Kick starter	17
--------------------	----

L

Loading	
Loading guidelines and procedures	40
Weight limits	39
Lubrication (see Engine oil and Final drive oil)	

M

Maintenance

Precautions	80
Schedule	79
Modifications	44
N	
Neutral indicator lamp	22
O	
Obstacles, riding over	76
Oil (see Engine oil and Final drive oil)	
Oil filler cap/dipstick	28
Oil filter, changing	100
Owner's manual compartment	31
P	
Parking	78
Parts location	10
Parking brake	25
Passenger carrying	46
Pavement, no riding on	48
Pinging	86
Power supply, 12 V DC	32
Pre-ride inspection	36
R	
Rear final gear case oil	103
Reverse	
Assist cable	107
Assist lever	107
Gear, shifting into	24, 60
Indicator lamp	22
Riding in reverse	60
Selector knob	24
Rider training course	1, 36
S	
Safety messages, special	1
Seat removal and installation	129
Serial numbers	145
Shifting gears	23, 59
Skid plates	130
Skidding	64
	149

Spark arrester	132
Spark knock	86
Spark plug	104
Specifications	140
Stalling on a hill	67, 69
Starter button	16
Starting primer knob	16
Storage compartment	31
Storing procedures	137

T

Throttle	
Cable	90
Lever	19, 90
Tires	
Inflation and air pressure	125
Repairing	128
Specifications	125
Tread condition	127
Tool kit	82
Trailer hitch	30
Trailer towing	
Operational guidelines	40
Weight limits	39
Transporting procedures	134
Turning	
On level ground	62
On slopes	75

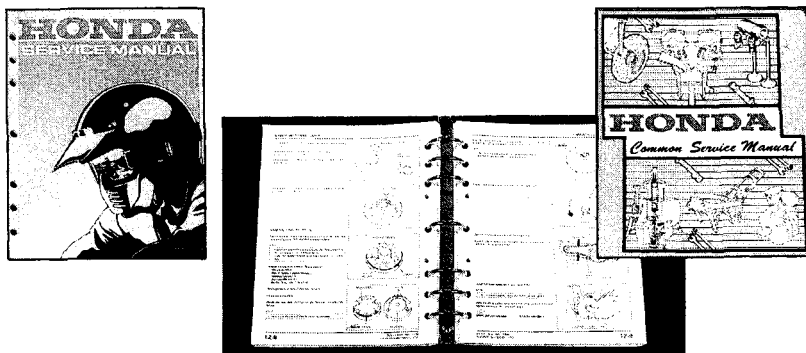
V

Valve clearance	105
-----------------------	-----

W

Warning labels	7
Warranty service	144
Water	
Draining from brakes	123
Riding through	77
Weight limits	39
Wheel removal	124
Wiring diagram	142

SERVICE MANUALS



The Service Manual (Part Number: 61HM400) used by your authorized Honda dealer is available from your dealer's parts department.

Also available, but not necessary to service your model:

- * The Honda Common Service Manual (Part Number: 61CM000) explains the theory of operation and provides basic service information for various systems common to all Honda motorcycles, scooters, ATVs and Pilots.

These Honda manuals are written for the professional technician, but most mechanically-capable owners should find them easy to use if they have the proper tools and observe proper safety standards. Special Honda tools are necessary for some procedures.

