

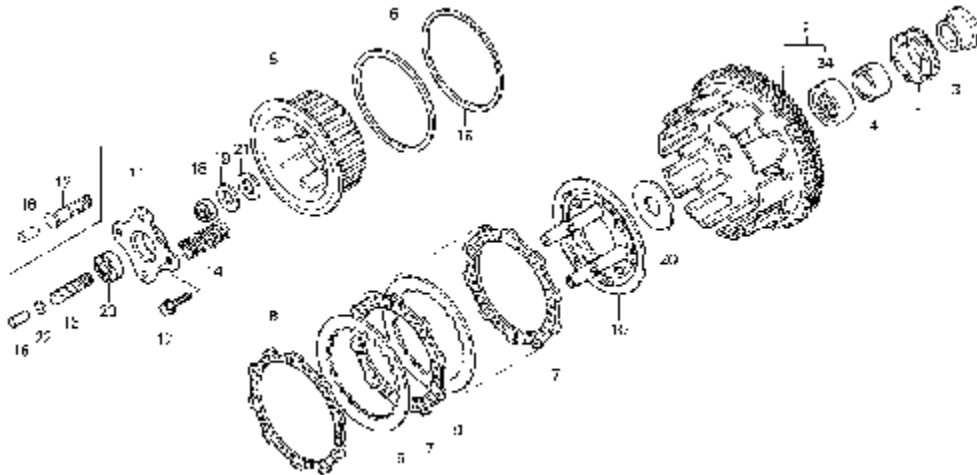
# Manual Despiece BMW F650


**Modelo 2008**

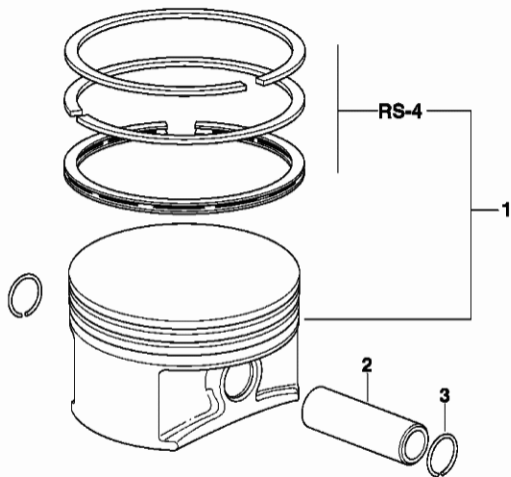


**Email** [manuales\\_motos@hotmail.com](mailto:manuales_motos@hotmail.com)

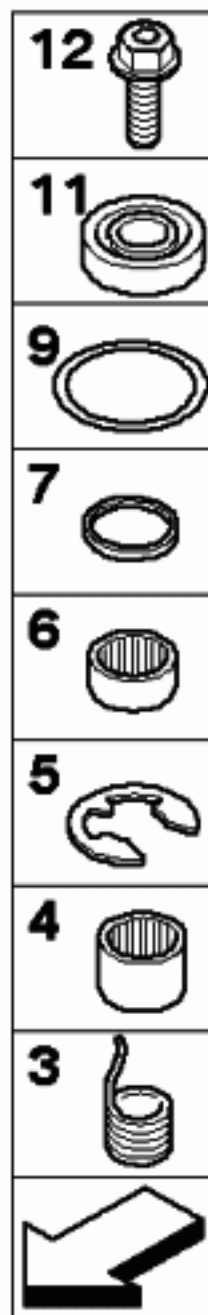
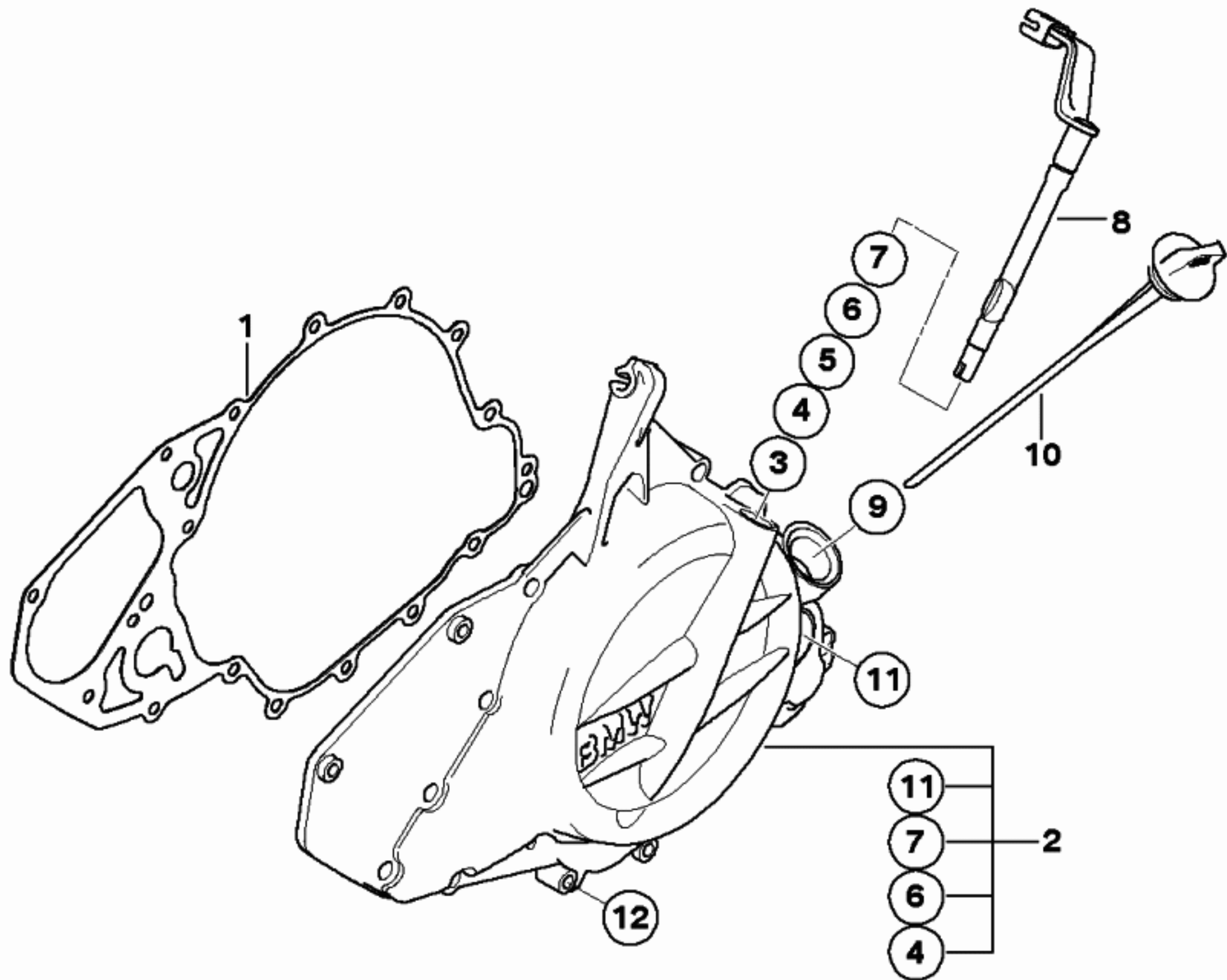
**Pagina web:** <http://www.manuales.nodosud.com.ar>



No	Part Number	Description	Qty 
01	11257690407	piston (81,95)	2
02	11257690412	gudgeon pin	2
03	11257690413	lock ring	4
04	11257702433	repair kit piston rings	2

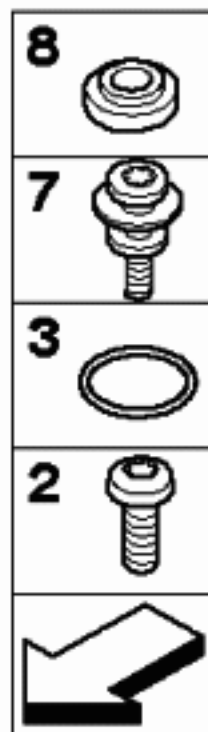
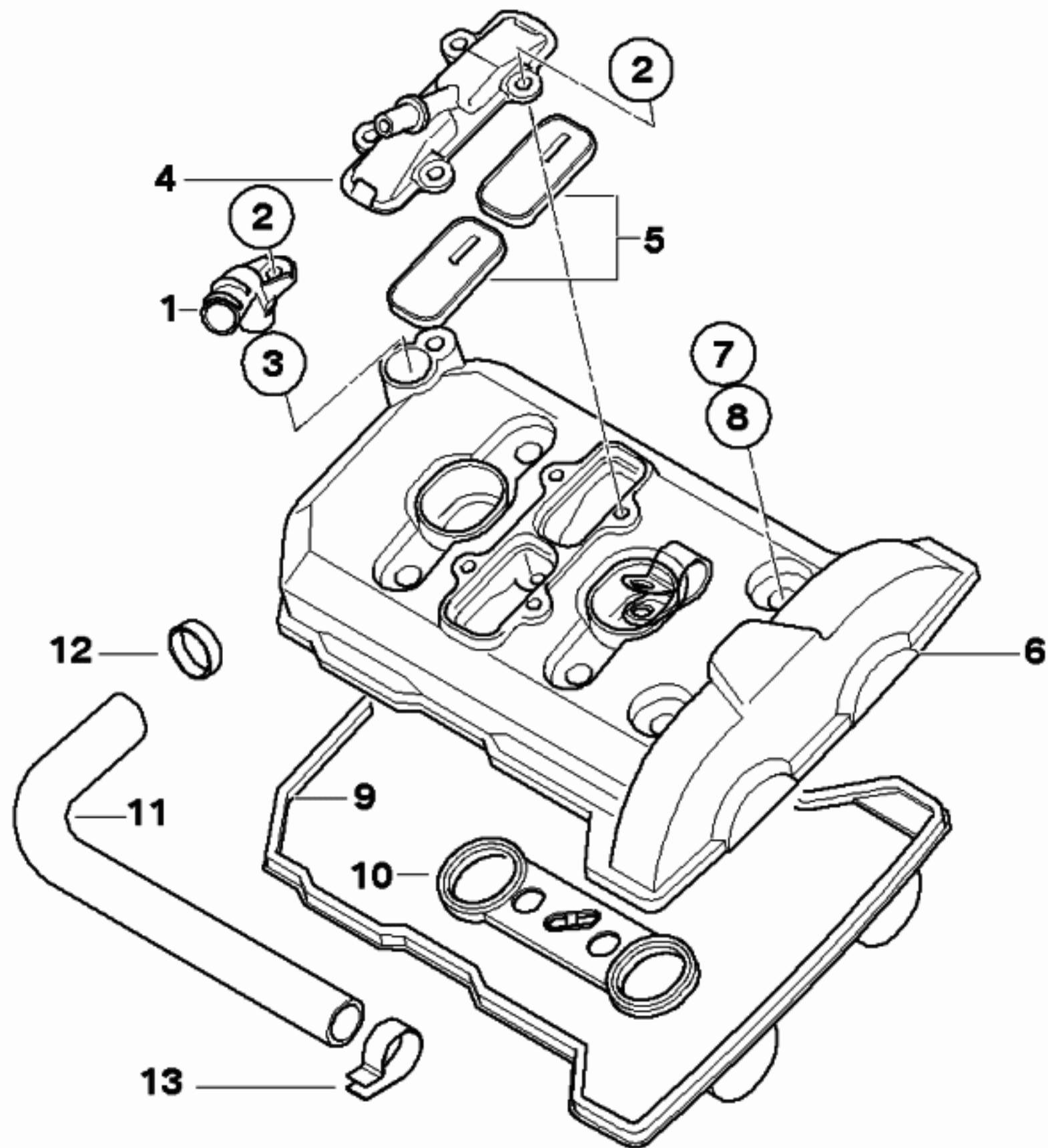


No	Part Number	Description	Qty 
01	11117707906	gasket left	1
02	11147712188	engine housing cover, black, left	1
03	21217686585	spring	1
04	21217670693	needle sleeve (10X14X12)	1
05	21212343258	circlip	1
06	11142343037	needle sleeve (12X16X10)	1
07	21212343259	shaft seal (12X18X4,5)	1
08	21217708143	clutch rel.fork lever	1
09	11437689572	o-ring (21,83X2,53)	1
10	11437708131	dipstick	1
11	11142343038	shaft seal (12X28X7)	1
12	11117672243	torx bolt (M6X25)	17



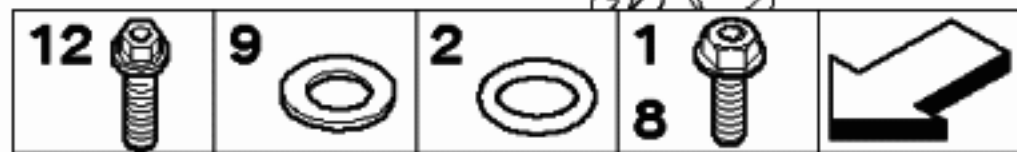
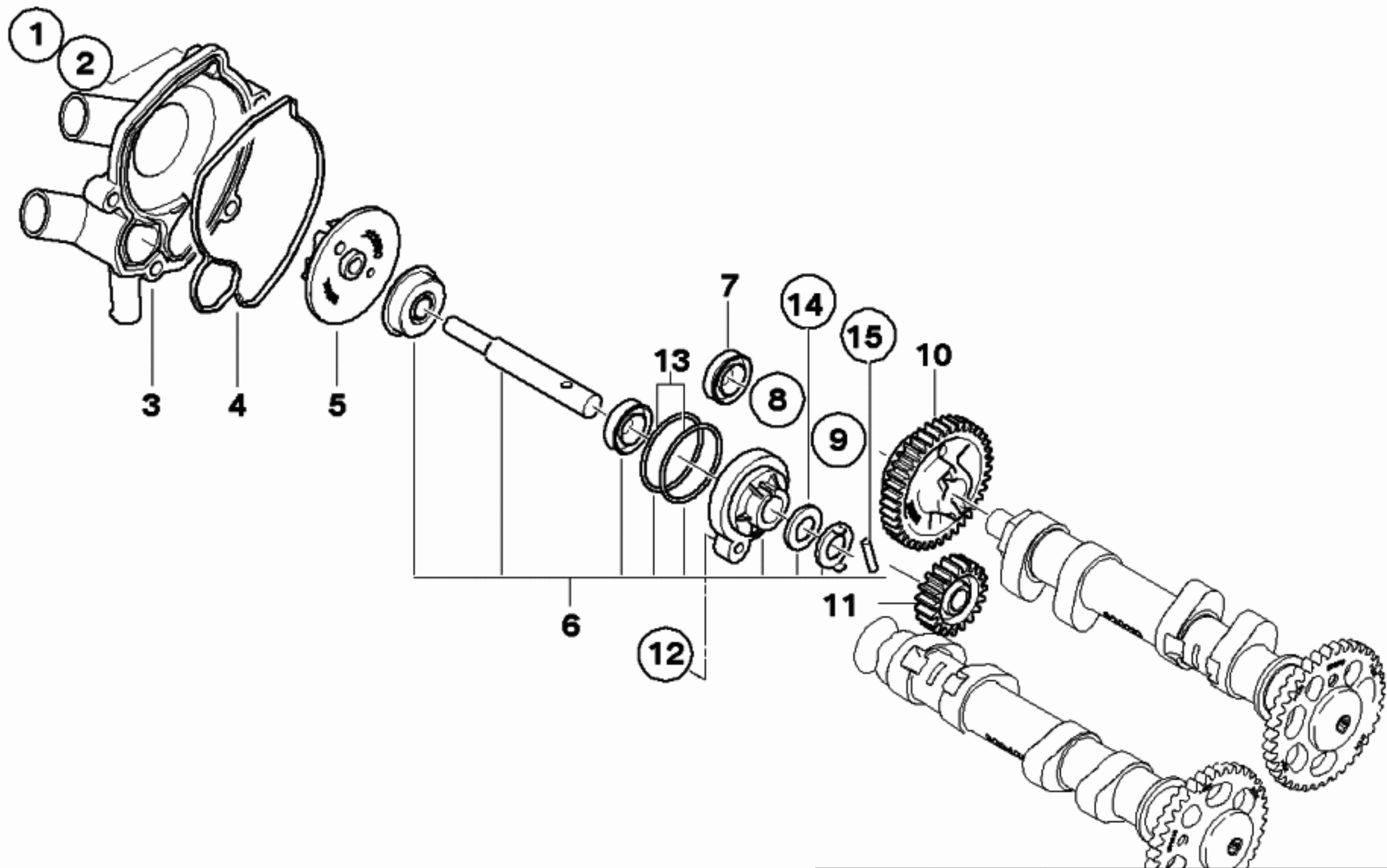
00156889

No	Part Number	Description	Qty 
01	11127689562	union	1
02	11127689564	fillister head screw (M6X16)	5
03	11127689563	o-ring (16X2)	1
06	11127708064	cylinder head cover black	1
07	11127674653	screw	4
08	11127674654	rubber bush	4
09	11127690479	exterior gasket	1
10	11127690477	interior gasket	1
11	11157679328	vent hose	1
12	61681386662	hose clamp (D=24MM)	1
13	64216924276	spring ring slight (A25X12)	1




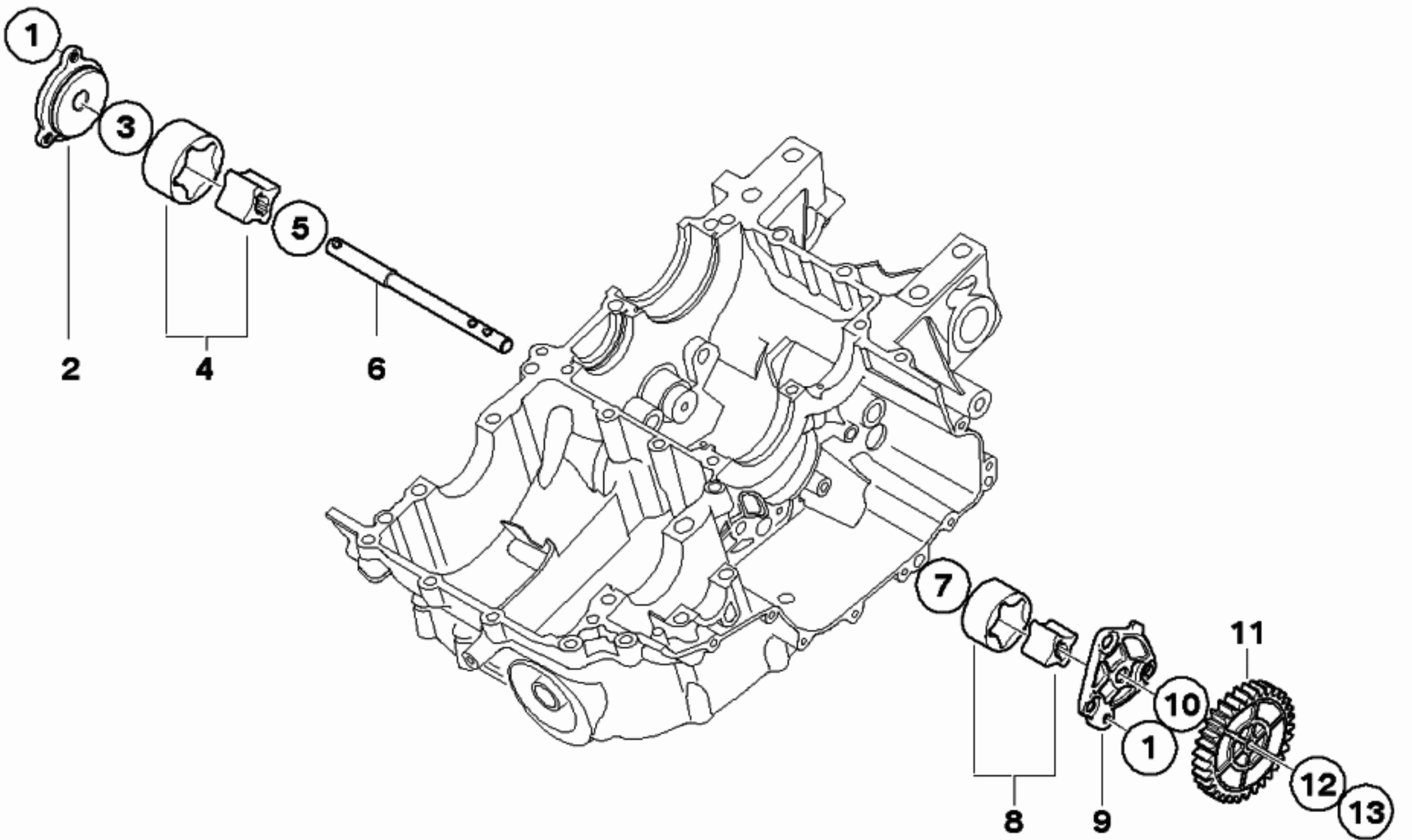
00159991




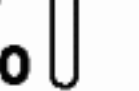



No	Part Number	Description	Qty 
01	11117672243	torx bolt (M6X25)	5
02	11142343240	gasket ring (A6X10)	1
03	11517715439	waterpump housing	1
04	11517690490	gasket	1
05	11517690484	rotor	1
06	11517702425	water pump	1
07	11517690488	gasket	1
08	11517698875	screw (M8X25-10.9)	1
09	11517699680	washer (9,2X23X3)	1
10	11517690480	gear wheel (34Z)	1
11	11517711040	gear wheel (16Z)	1
12	23007690404	torx bolt (M6X16)	1
13	11517690492	o-ring (34X2)	2
14	11517699107	stop disk (10,1X22X1)	1
15	11517699219	roll pin (4X21,8)	1




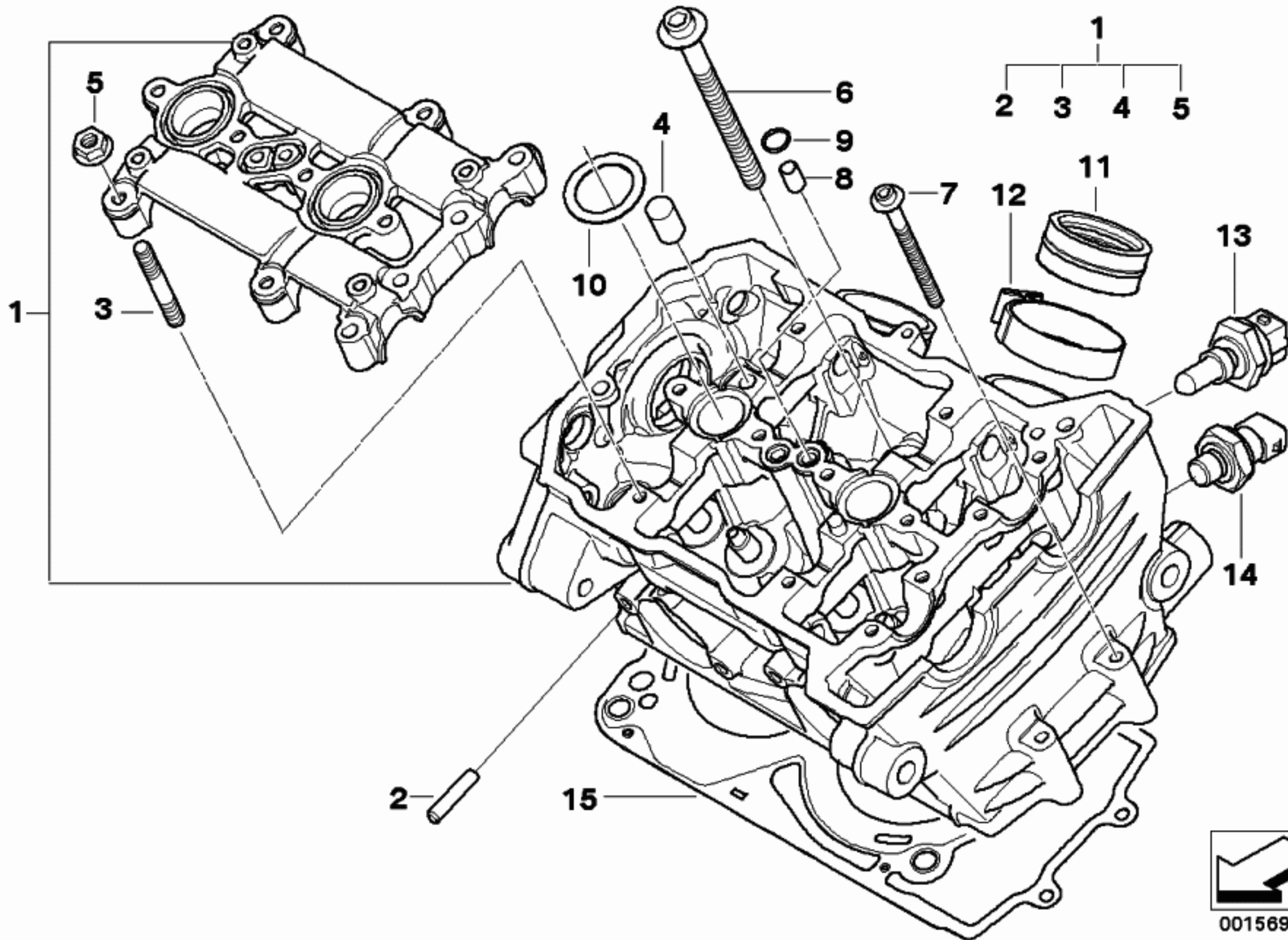
00159134

No	Part Number	Description	Qty 
01	23007690404	torx bolt (M6X16)	6
02	11417708144	cover black	1
03	11417687894	o-ring (46X2,5)	1
04	11417690438	set rotor, suction side	1
05	11417687398	pin (5X16,8)	1
06	11417690440	oil pump shaft	1
07	11412343105	roll pin (4X15,8)	1
08	11417652927	set rotor, pressure side	1
09	11417690292	cover left	1
10	11412343108	roll pin (4X29,8)	1
11	11417690441	oil pump gearwheel (Z=33)	1
12	11412343107	stop disk (10,1X17X1)	1
13	11412343458	lock ring	1




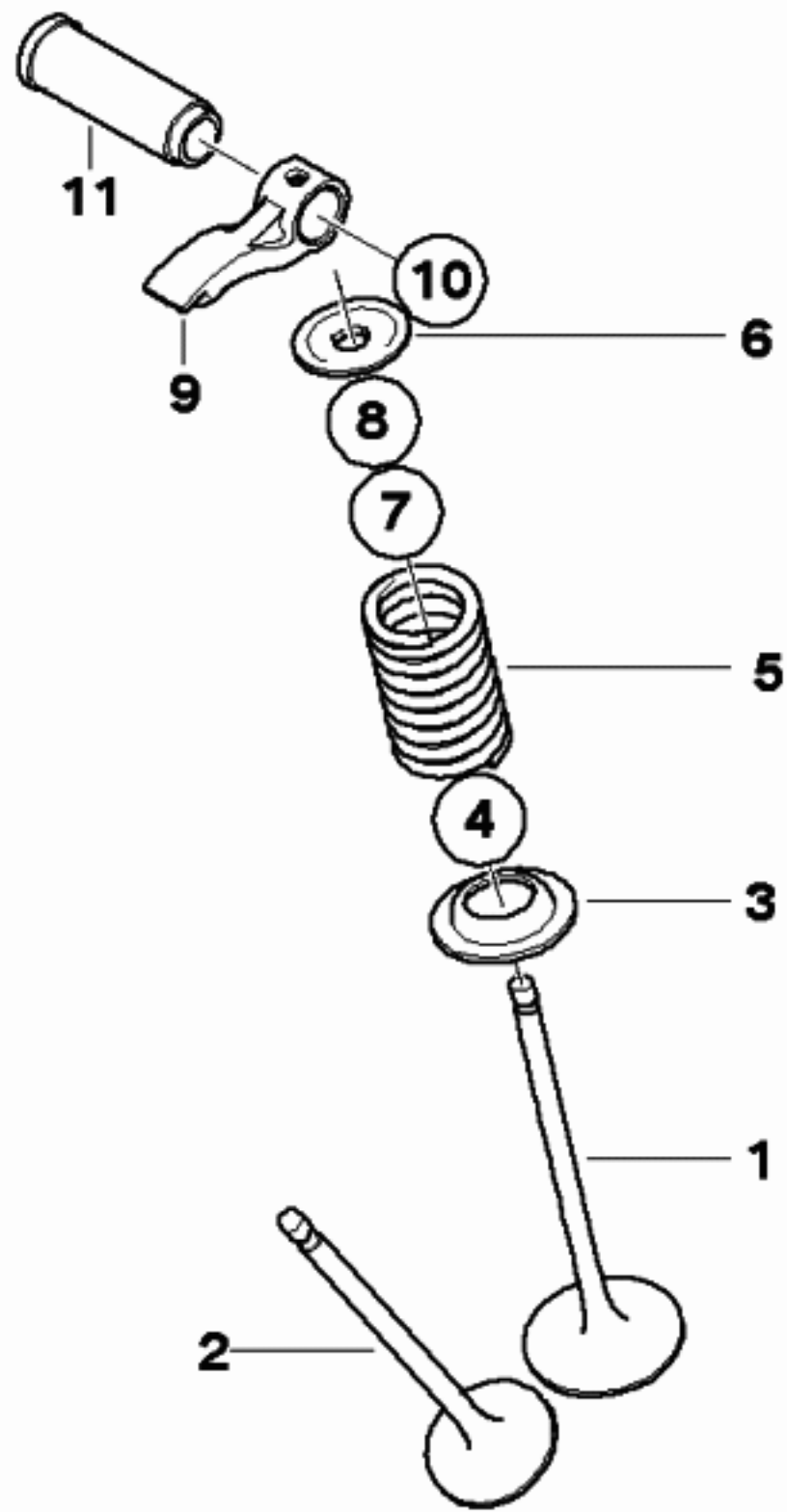
<b>13</b> 	<b>12</b> 	<b>7</b> 	<b>5</b> <b>10</b> 	<b>3</b> 	<b>1</b> 	
--	--	---	--	---	---	---

No	Part Number	Description	Qty 
01	11127709450	cylinder head, black	1
02	11127690468	threaded bolt (7X30)	4
03	11127690459	threaded bolt (6X45)	12
04	11112343233	roll pin (M8X12)	2
05	11127690460	hex nut (M6)	12
06	11127688361	isa screw (M10X1,25X117 T5)	6
07	11117690495	torx screw with collar (M6X65)	2
08	11127652917	spacer sleeve, right (5,2/7/6,5MM)	2
09	11127697307	o-ring (7X2)	2
10	11317690476	o-ring (23,4 X 3,53)	2
11	13547698190	rubber grommet	2
12	32131092152	hose clamp (D=59MM)	2
13	13621433076	temperature sensor water/oil	1
14	12617568480	oil pressure switch (M12X1,5)	1
15	11127690461	cyl.head gasket	1



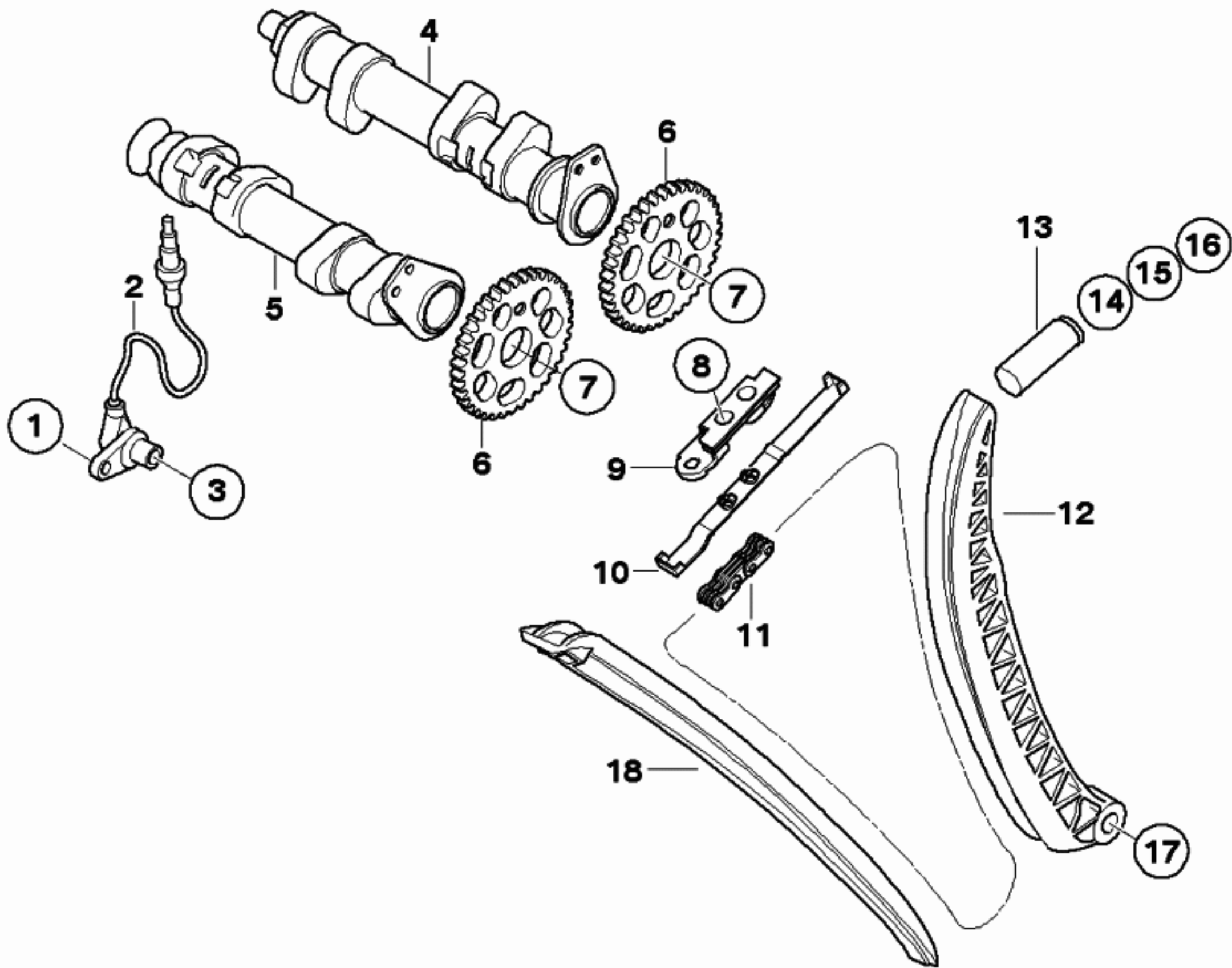
00156933

No	Part Number	Description	Qty 
01	11347690470	intake valve (D=31MM)	4
02	11347690469	exhaust valve (D=27,5MM)	4
03	11347690472	spring pocket	8
04	11347687602	valve seal ring (D=5)	8
05	11347688358	valve spring	8
06	11347671928	upper spring plate	8
07	11347690473	valve collet	16
08	11347676515	semi-sphere (4.60)	8
08	11347676516	semi-sphere (4.65)	8
08	11347676517	semi-sphere (4.70)	8
08	11347676518	semi-sphere (4.75)	8
08	11347676519	semi-sphere (4.80)	8
08	11347676520	semi-sphere (4.85)	8
08	11347676521	semi-sphere (4.90)	8
08	11347676522	semi-sphere (4.95)	8
08	11347676523	semi-sphere (5.00)	8
08	11347676524	semi-sphere (5.05)	8
08	11347676525	semi-sphere (5.10)	8
08	11347676526	semi-sphere (5.15)	8
08	11347676527	semi-sphere (5.20)	8
08	11347676528	semi-sphere (5.25)	8
08	11347676529	semi-sphere (5.30)	8
08	11347676530	semi-sphere (5.35)	8
08	11347676531	semi-sphere (5.40)	8
08	11347676532	semi-sphere (5.45)	8
08	11347676533	semi-sphere (5.50)	8
08	11347676534	semi-sphere (5.55)	8
08	11347676535	semi-sphere (5.60)	8
08	11347676536	semi-sphere (5.65)	8
08	11347676537	semi-sphere (5.70)	8
09	11337711887	drag lever	8
10	11337707547	circlip	8
11	11347699522	rocker arm shaft	4




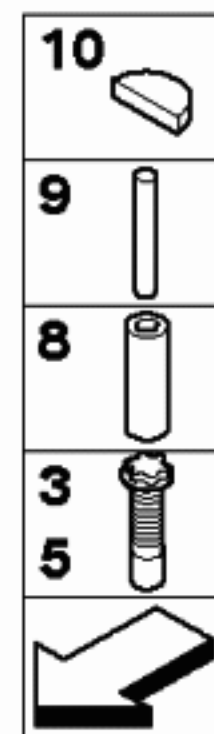
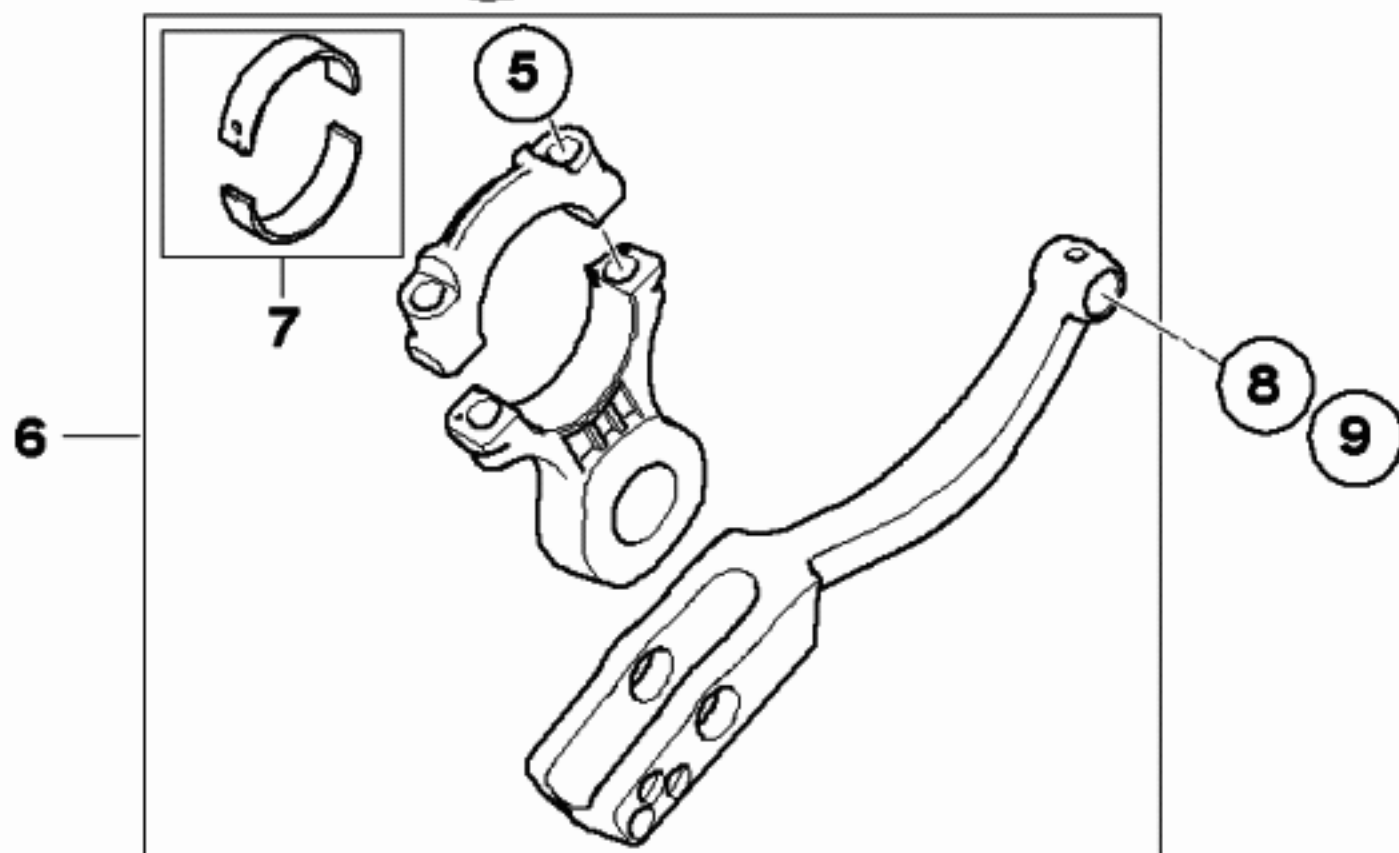
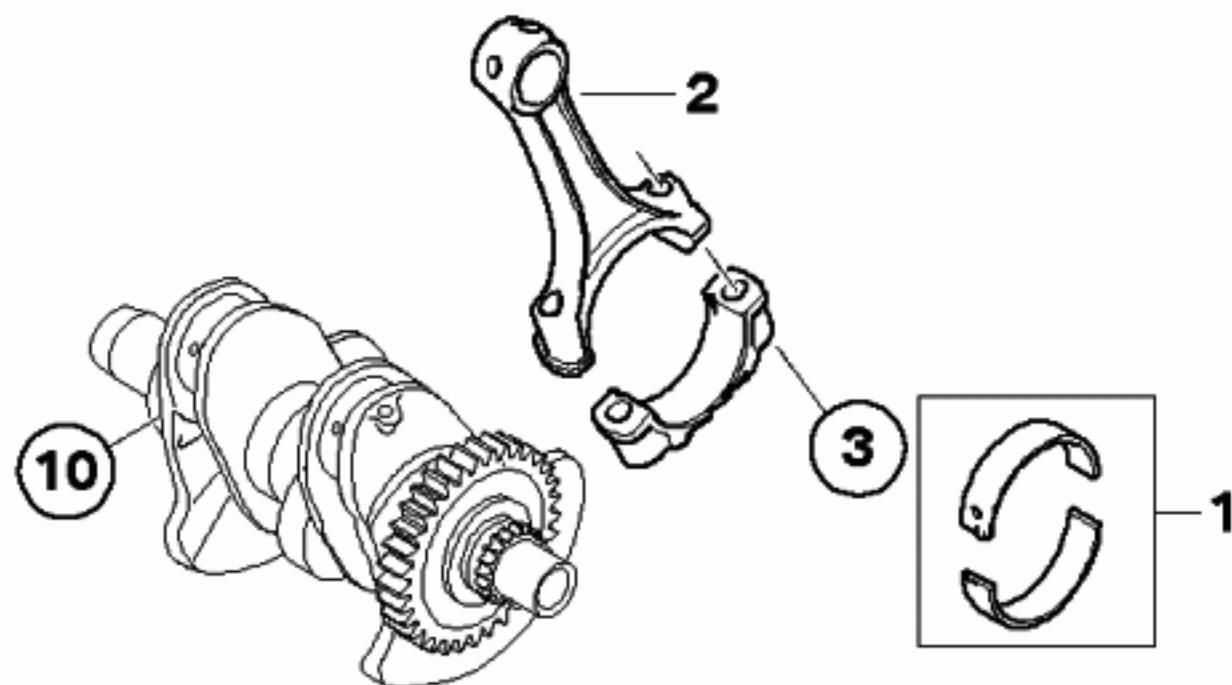
00156946

No	Part Number	Description	Qty 
01	23007690404	torx bolt (M6X16)	1
02	12727674768	camshaft speed sensor	1
03	12727694010	o-ring (17X2)	1
04	11317708477	inlet camshaft	1
05	11317708478	camshaft exhaust	1
06	11317708198	gear wheel (Z=38)	2
07	11317690464	screw plug (M18X1,5)	2
08	11127690460	hex nut (M6)	2
09	11317689533	bracket	1
10	11317689494	sliding piece	1
11	11317690475	timing chain	1
12	11317690493	chain tensioner	1
13	11317695823	chain tensioner	1
14	11117715438	spring	1
15	11312343091	gasket ring (18,2X24X1)	1
16	11317710985	hex bolt (M18X1,5X9)	1
17	11317676592	bearing screw (M6)	1
18	11317690494	guide rail	1



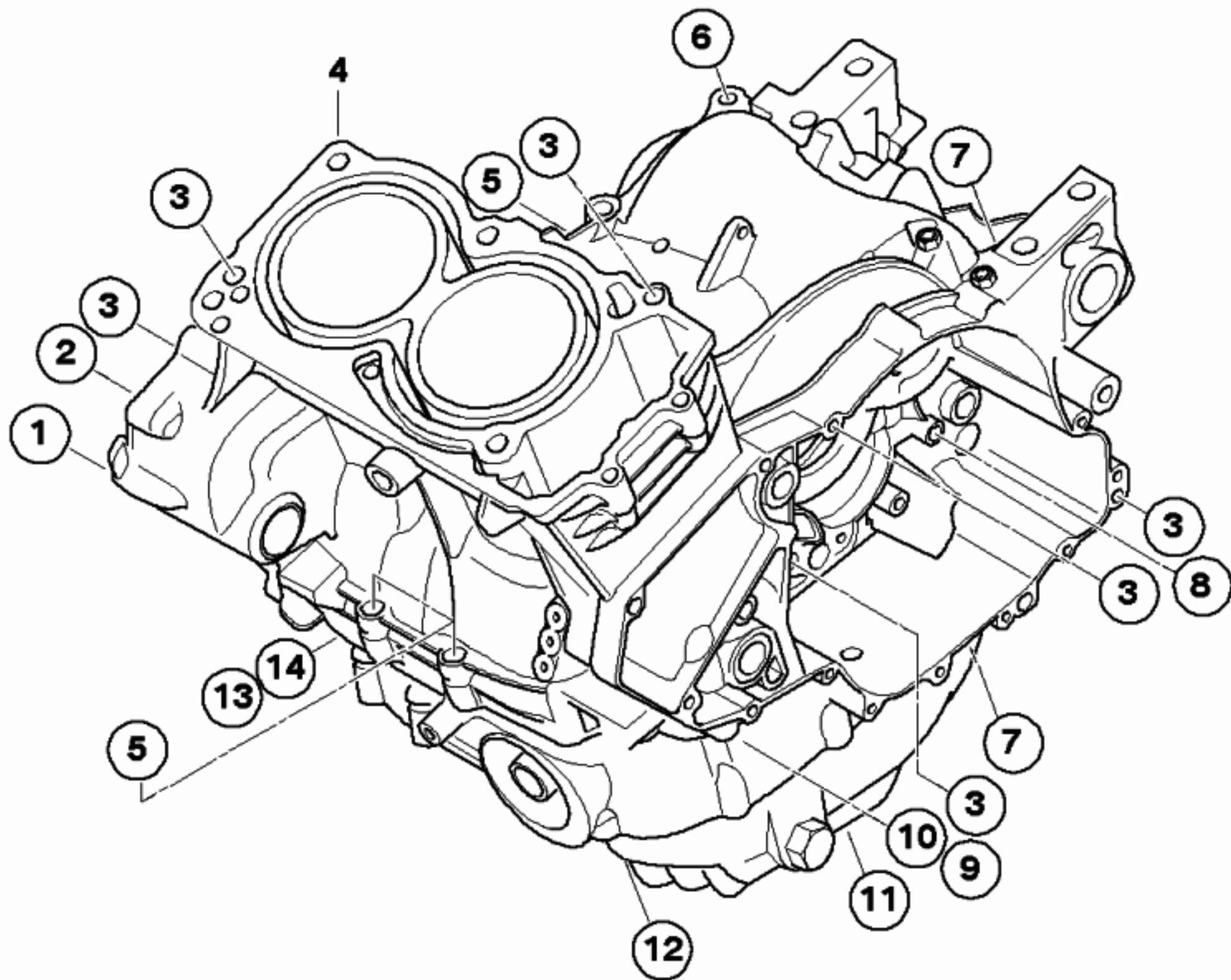
- |    |  |
|----|--|
| 17 |  |
| 16 |  |
| 15 |  |
| 14 |  |
| 8  |  |
| 7  |  |
| 3  |  |
| 1  |  |
|    |  |

No	Part Number	Description	Qty 
01	11247690500	connecting rod bearing	4
02	11247690405	connecting rod	2
03	11247688359	connecting rod bolt (M9)	4
05	11277688360	connecting rod bolt (M12X1,25)	2
06	11277702426	balance rod with rocker	1
07	11277690501	bearing slight	2
08	11277686577	bearing bolt	1
09	11412343108	roll pin (4X29,8)	1
10	11272343243	woodruff key (4X5)	1




00156968

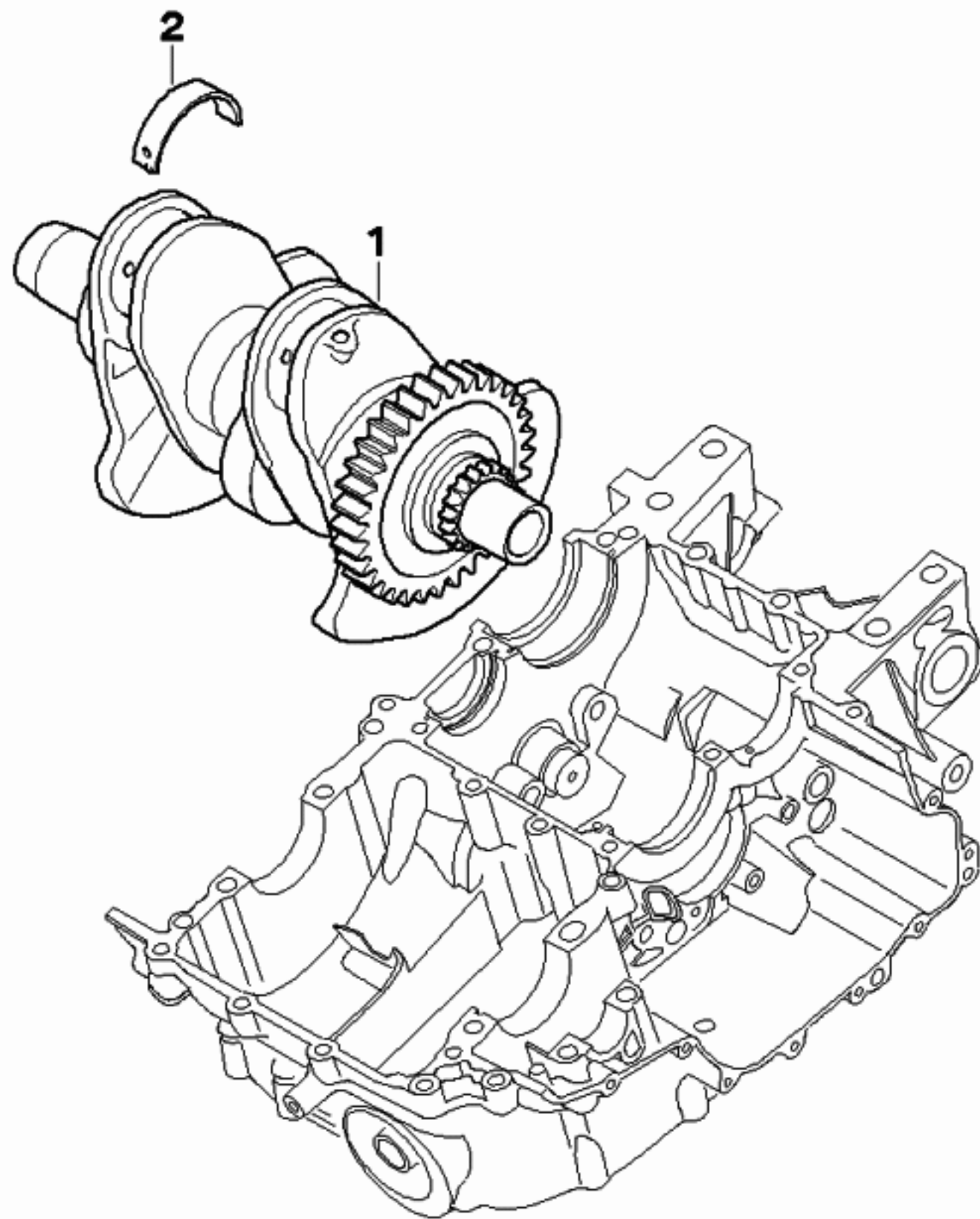
No	Part Number	Description	Qty 
01	12417690433	dowel pin (6X40)	1
02	11112343234	dowel pin (10X50)	1
03	11112343233	roll pin (M8X12)	17
04	11117712179	engine housing, black	1
06	11117690508	torx screw with collar (M8X70)	2
07	11117690495	torx screw with collar (M6X65)	11
08	11117690503	dowel pin (M6X40)	1
09	11117699121	torx screw with collar (M8X16)	1
10	11112343010	gasket ring (A8X13)	1
11	11147699125	roll pin (12X12)	1
12	11117690507	hex screw with collar (M8X130)	4
13	23007690404	torx bolt (M6X16)	1
14	11142343240	gasket ring (A6X10)	1



14	
10	
13	
12	
11	
9	
6	
7	
5	
3	
2	
1	
8	

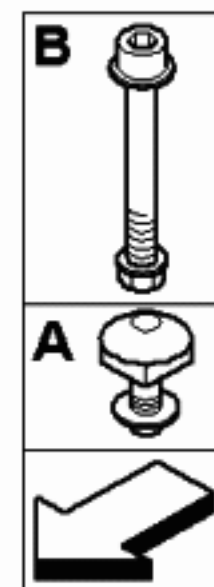
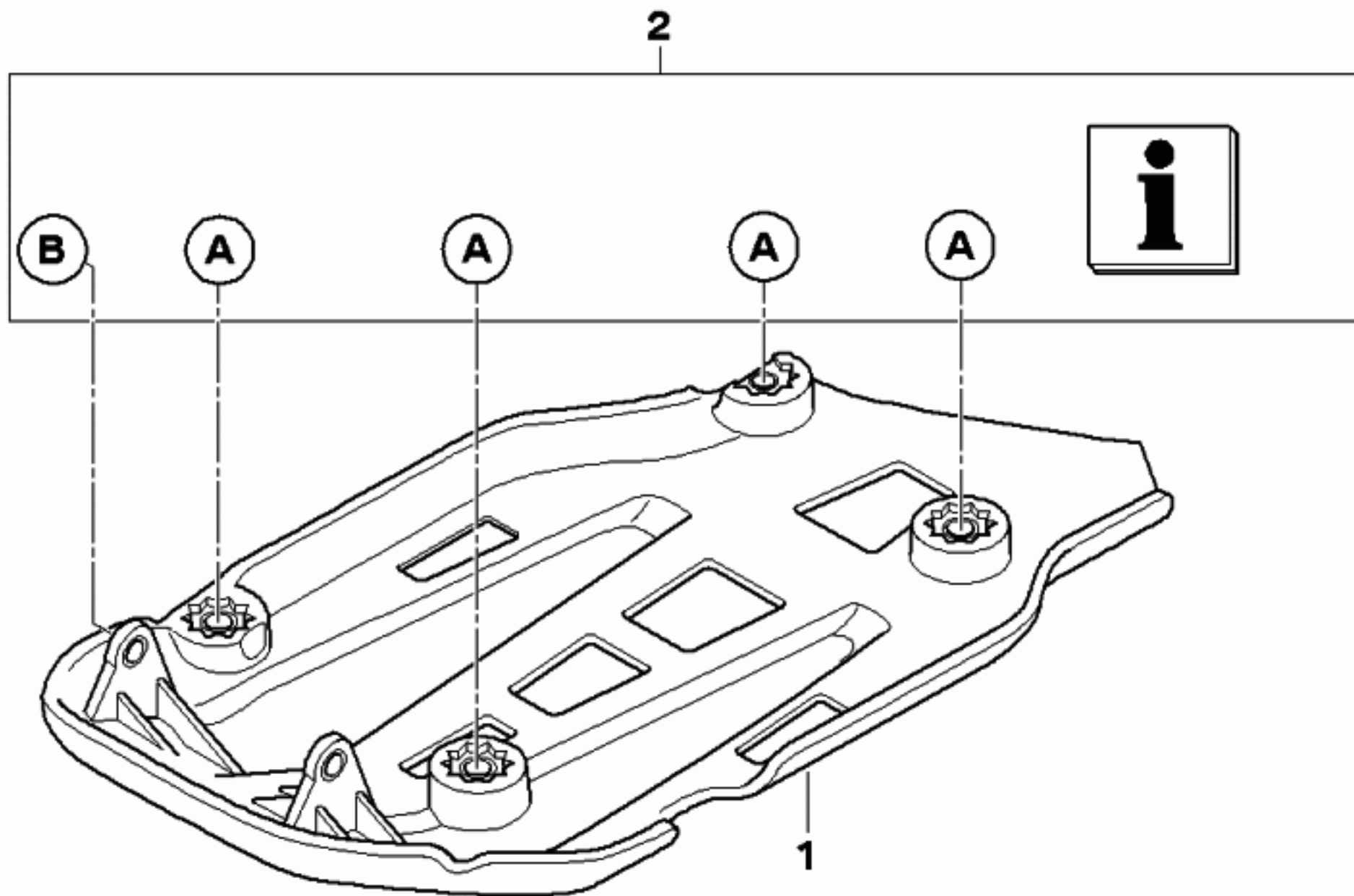
00157166

No	Part Number	Description	Qty 
01	11217702432	crankshaft	1
02	11217690499	guide bearing slight (50X54X14)	8



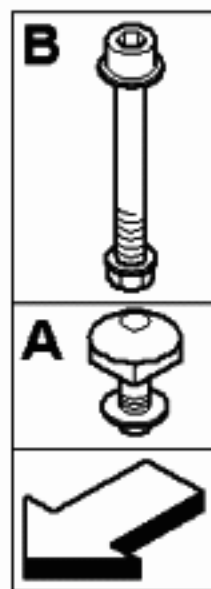
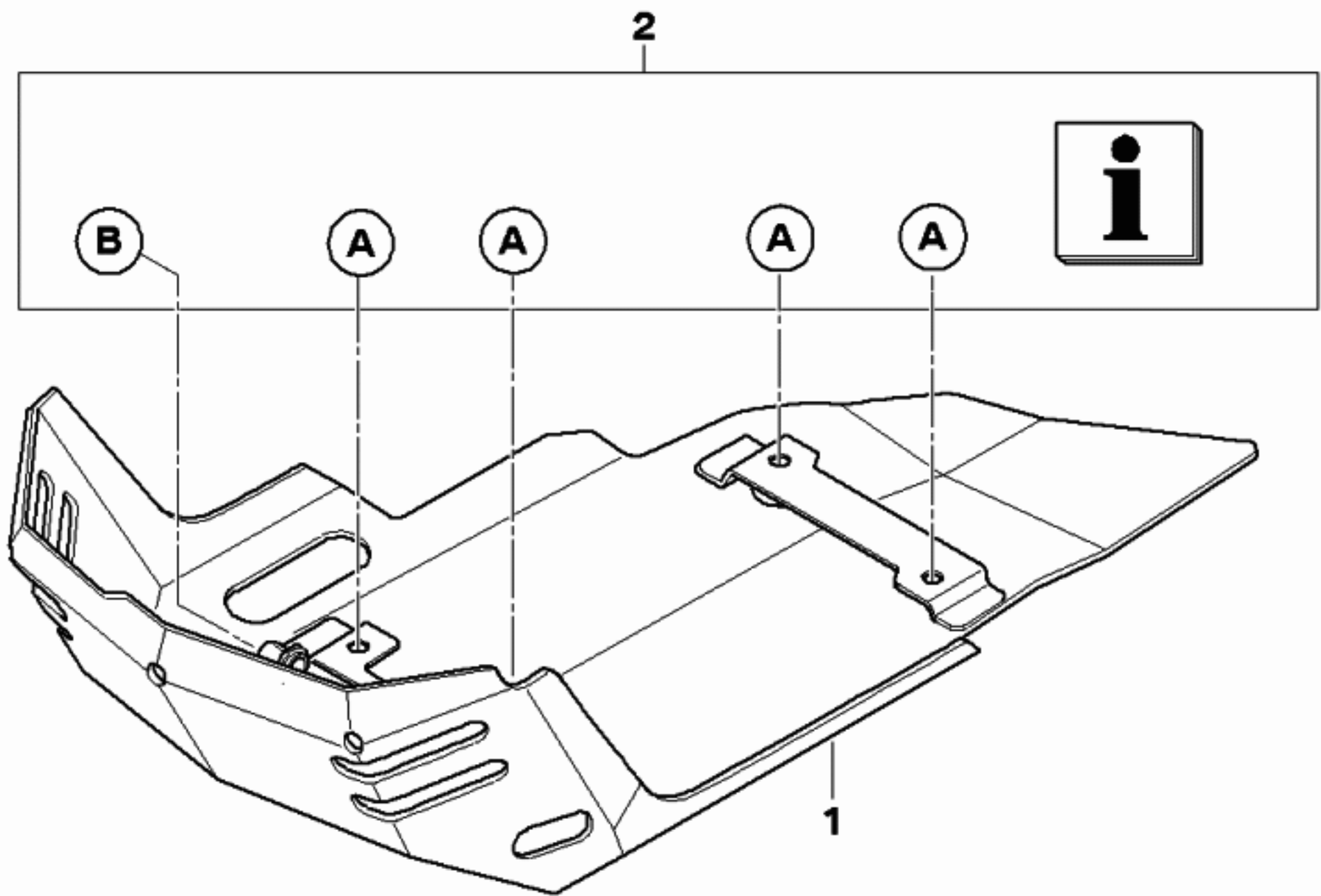
00169966

No	Part Number	Description	Qty
01	<a href="#">11117700809</a>	engine guard, plastic	1
02	71607704773	mounting parts set	1



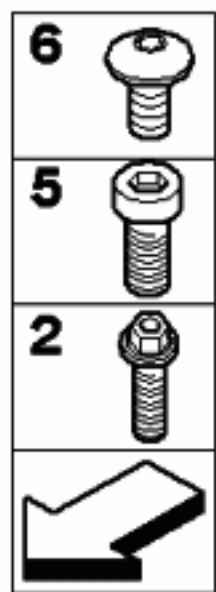
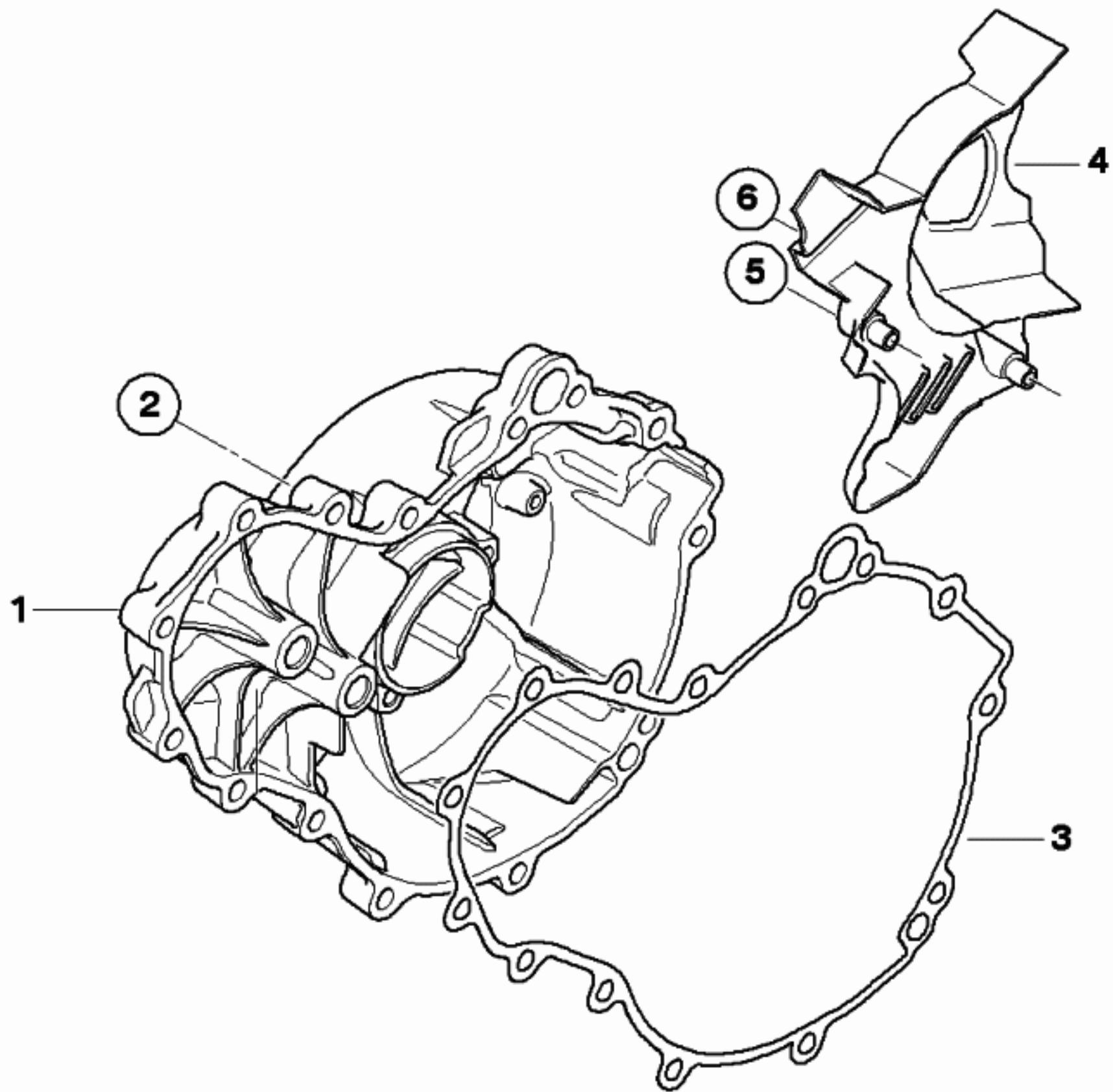
00169724

No	Part Number	Description	Qty
01	<a href="#">71607702951</a>	engine guard, aluminum, large	1
02	71607704773	mounting parts set	1




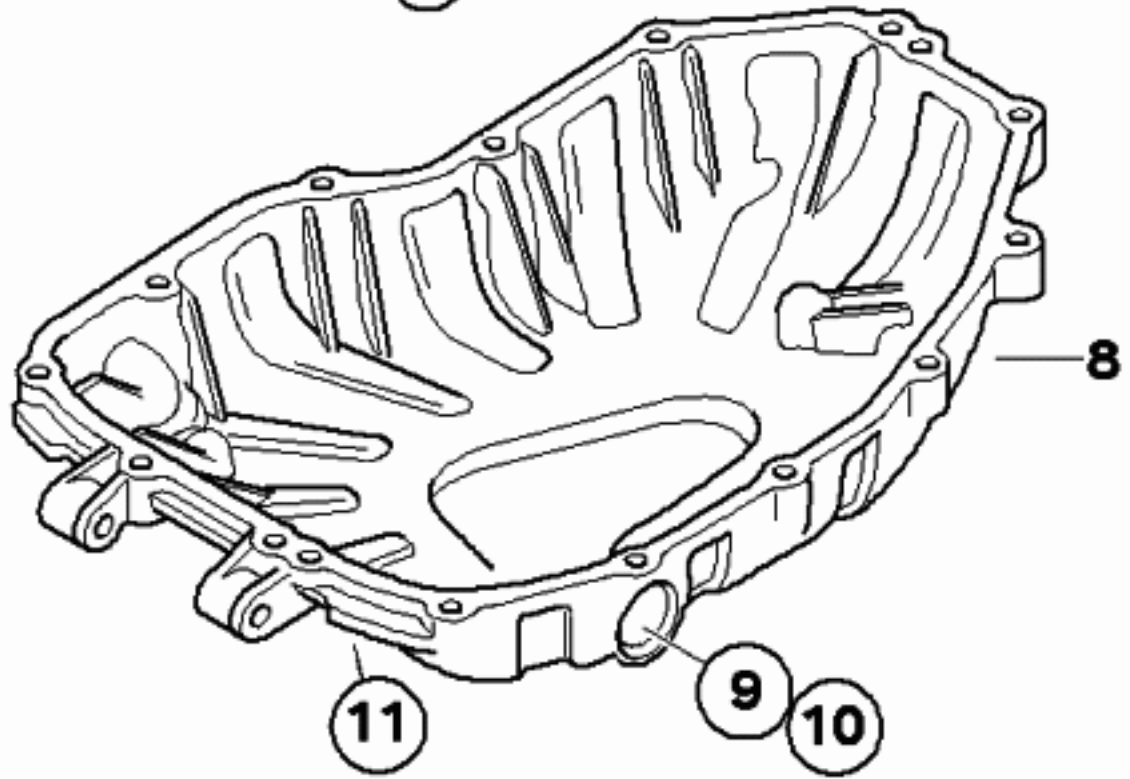
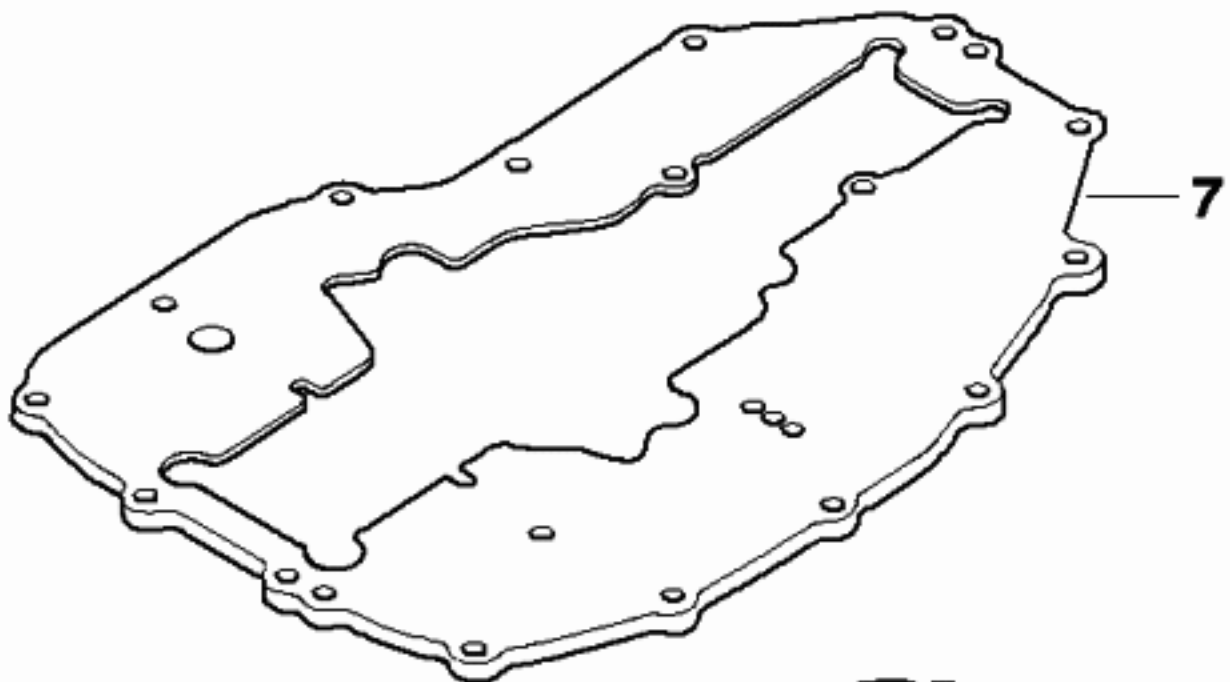
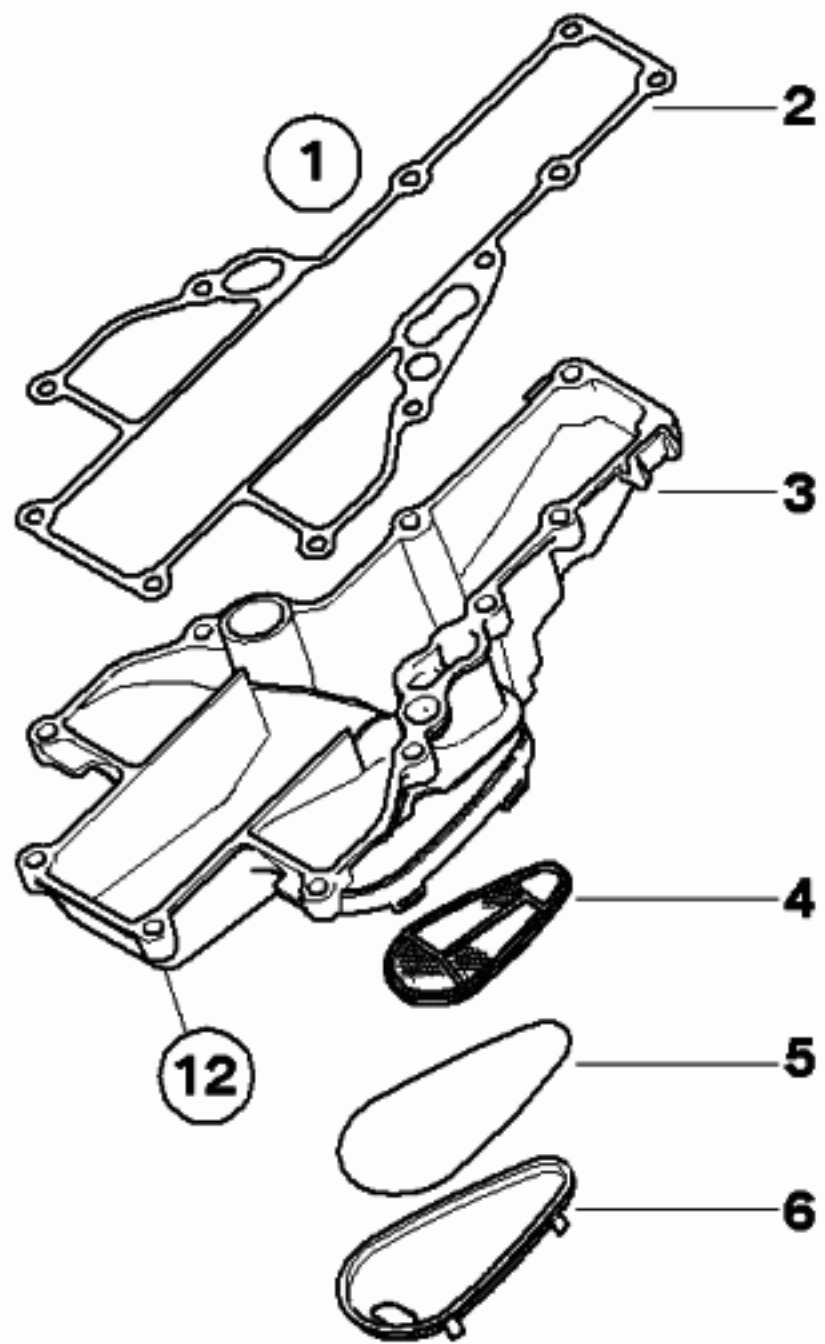
00169785

No	Part Number	Description	Qty 
01	11147708306	engine housing cover, black, right	1
02	11117672244	torx bolt (M6X30)	14
03	11147670688	gasket right	1
04	11147679327	cover	1
05	07129903784	mounting screw (M5X25)	2
06	06327651211	fillister head screw (M5X12)	1




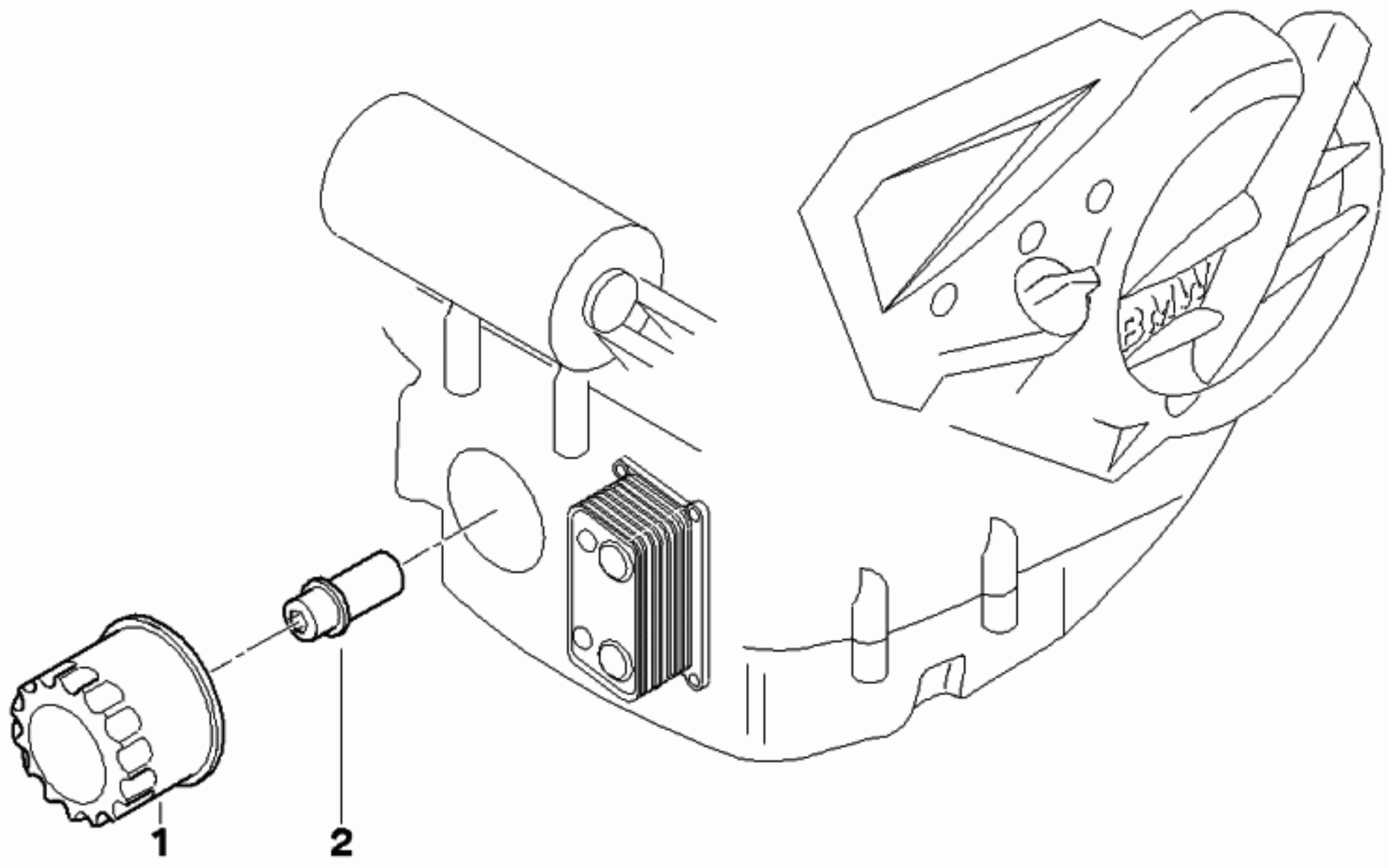
00171870

No	Part Number	Description	Qty 
01	11417702429	constant pressure valve	1
02	11117686581	gasket	1
03	11147708072	cover	1
04	11417690445	oil strainer	1
05	11417690447	o-ring (75X2,5)	1
06	11417708132	cover	1
07	11117707905	gasket, oil pan	1
08	11137708307	oil pan	1
09	11417652949	gasket ring (24X30X1,5)	1
10	11137690496	screw plug, magnetic (M24X2)	1
11	11117672245	torx bolt (M6X35)	1
12	11147700067	hex bolt (M6X25)	1



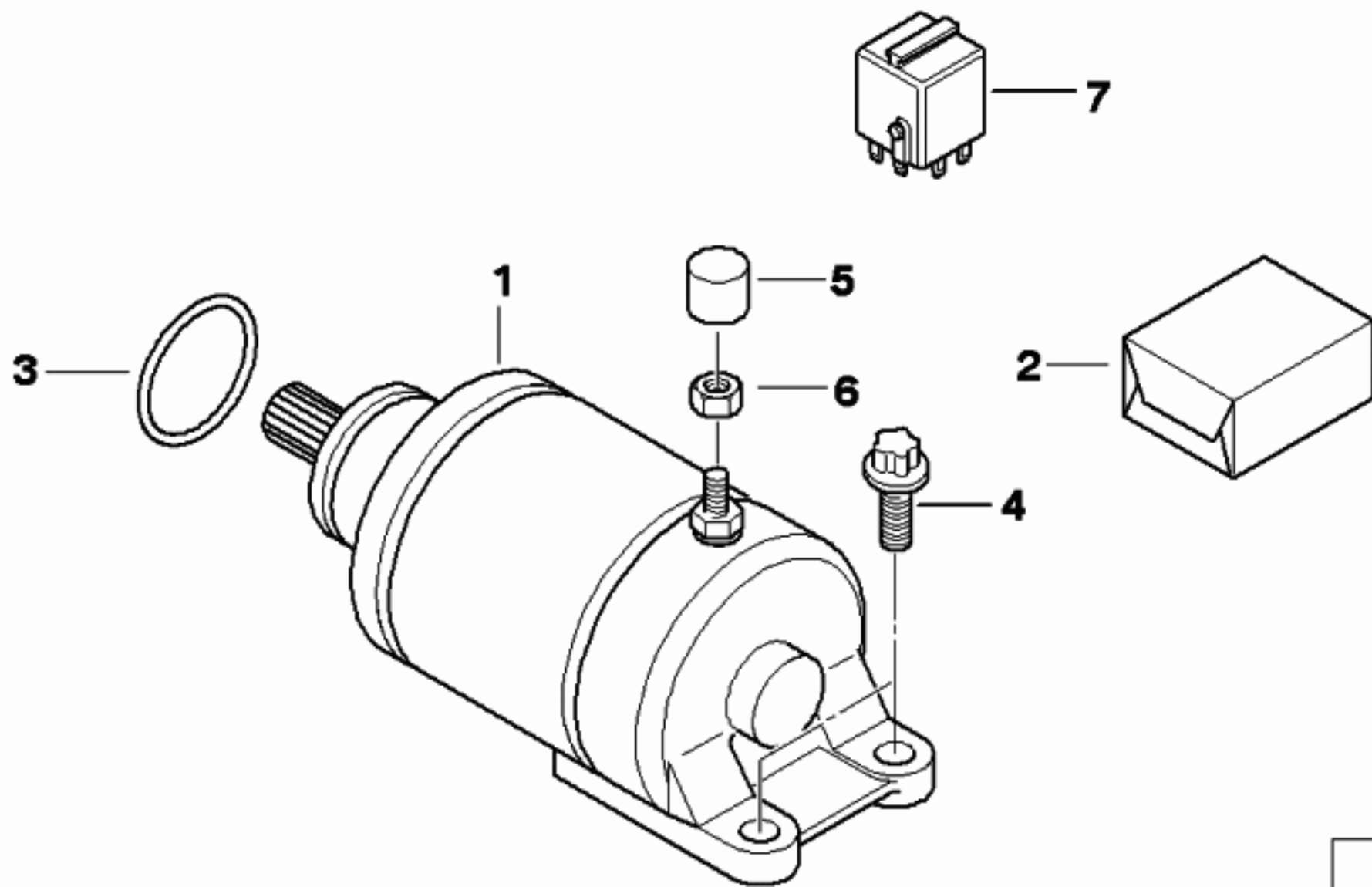
00173686

No	Part Number	Description	Qty 
01	11427673541	oil filter for catalyst	1
02	11447708130	nipple	1




00176771

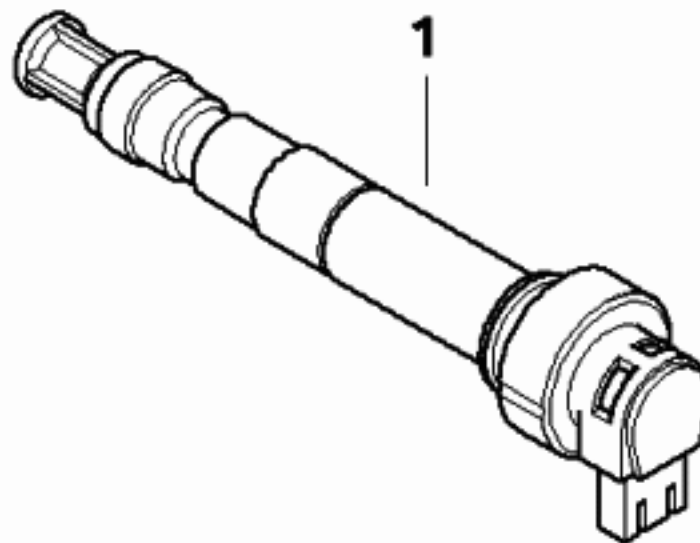
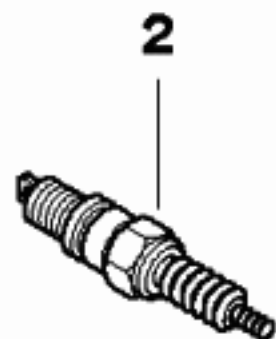
No	Part Number	Description	Qty 
01	11447709449	starter	1
03	12412343252	o-ring (24,4X3,1)	1
04	11117672244	torx bolt (M6X30)	2
05	61137704173	protection cap	1
06	61138367756	self-locking hex nut (M 6)	1
07	61367661503	relay	1



00164513

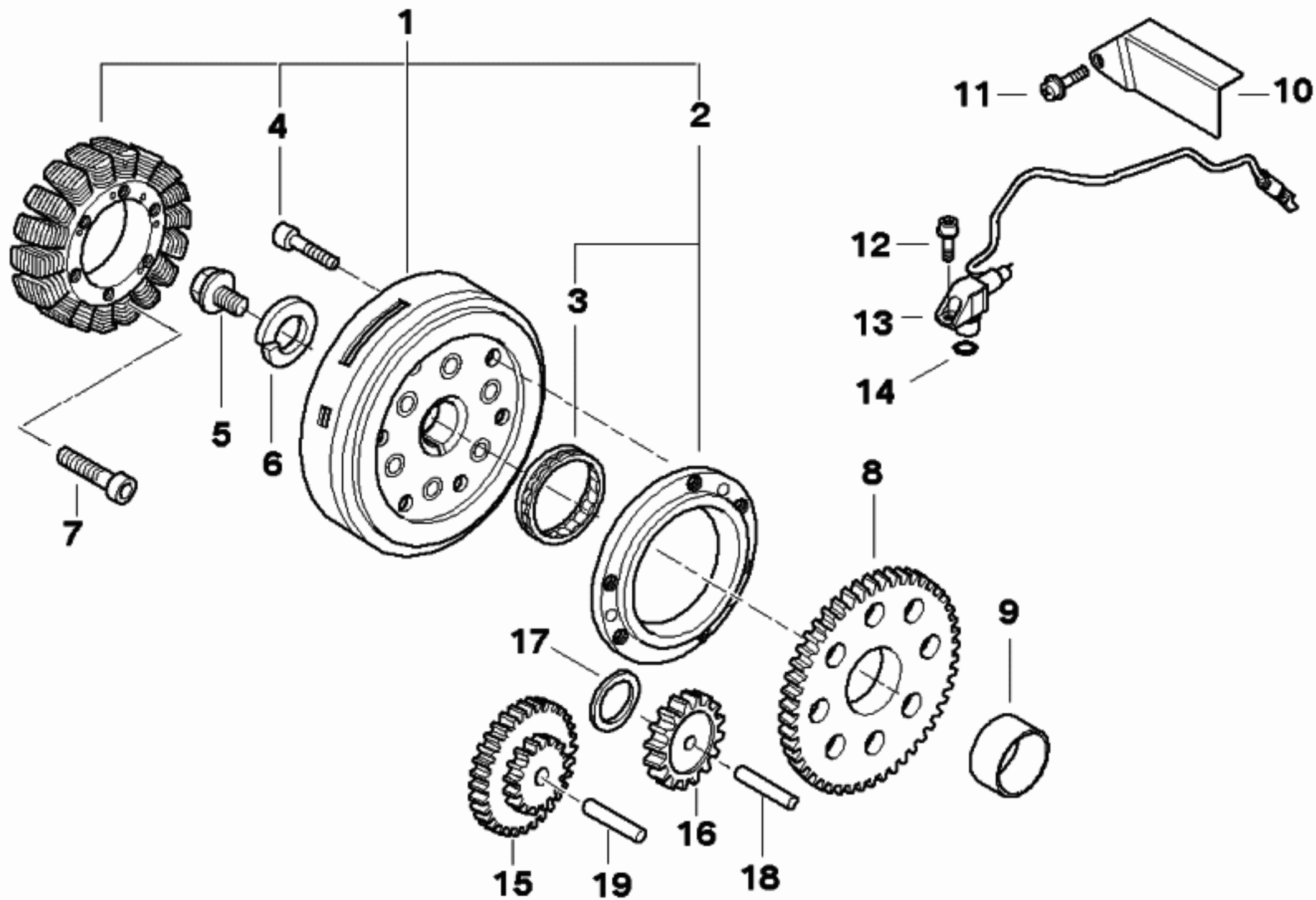


No	Part Number	Description	Qty 
01	12137709080	ignition coil	2
02	12127690603	spark plug (DCPR8E)	2




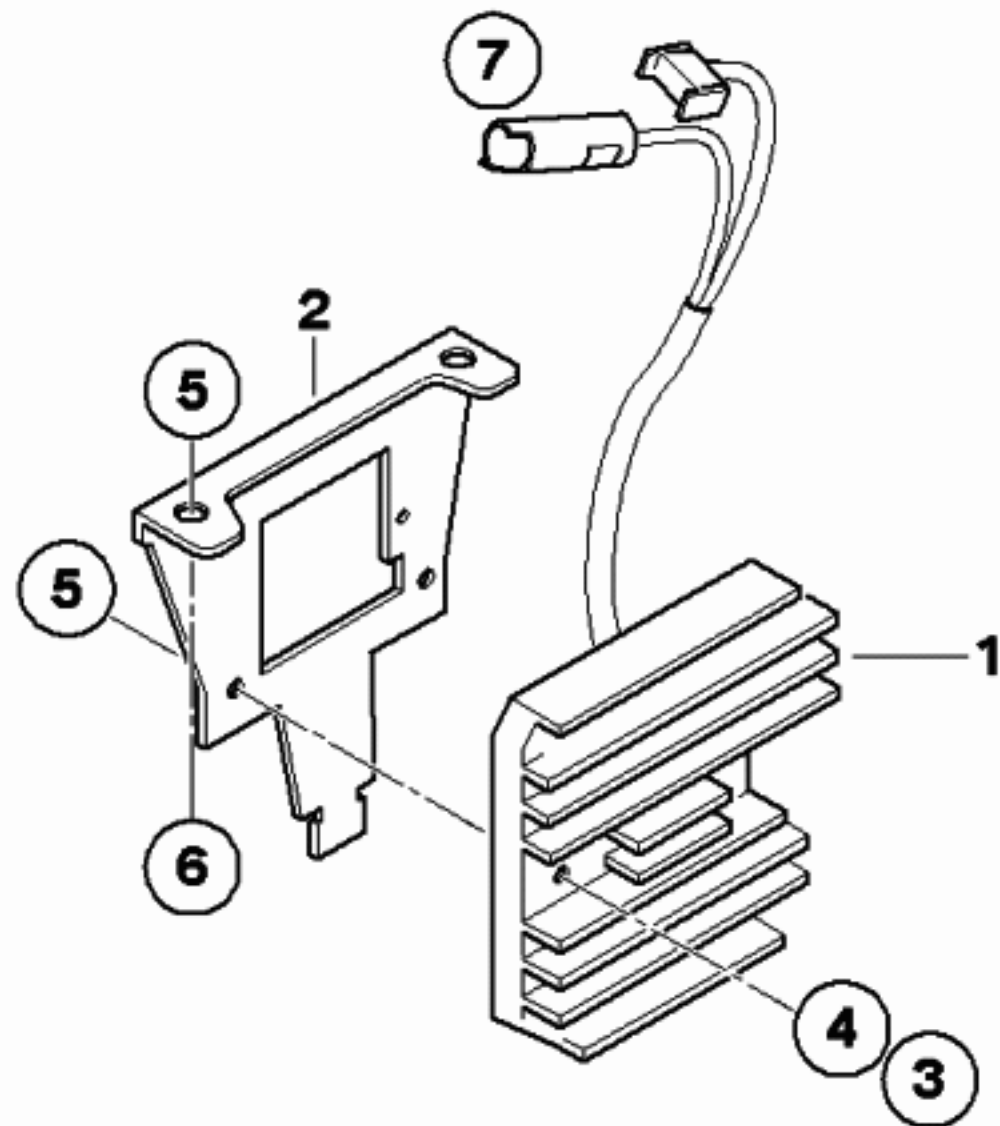
00141398

No	Part Number	Description	Qty 
01	12317690427	generator	1
03	12117687777	free wheel	1
04	12317690428	fillister-head screw (M8X16)	3
05	11117704757	fillister-head screw (16X35)	1
06	12317690432	washer (A17)	1
07	11117672245	torx bolt (M6X35)	3
08	11267702428	free wheel (64Z)	1
09	11267689493	needle sleeve	1
11	12112343133	screw (M4X8)	2
12	23007690404	torx bolt (M6X16)	1
13	12727674201	inductive sensor, crankshaft	1
14	12727694011	o-ring (14X2)	1
15	11267690437	gear wheel (11/49Z)	1
16	11267695827	gear wheel (30Z)	1
17	11267699106	stop disk (10,1X64,7X1,5)	1
18	12417690433	dowel pin (6X40)	1
19	11112343234	dowel pin (10X50)	1




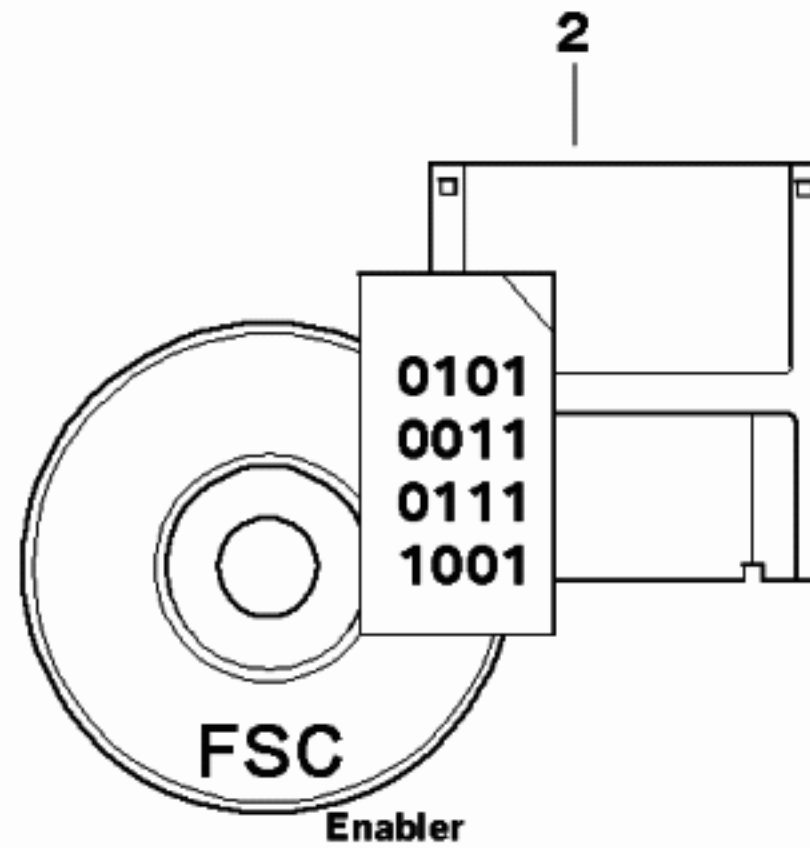
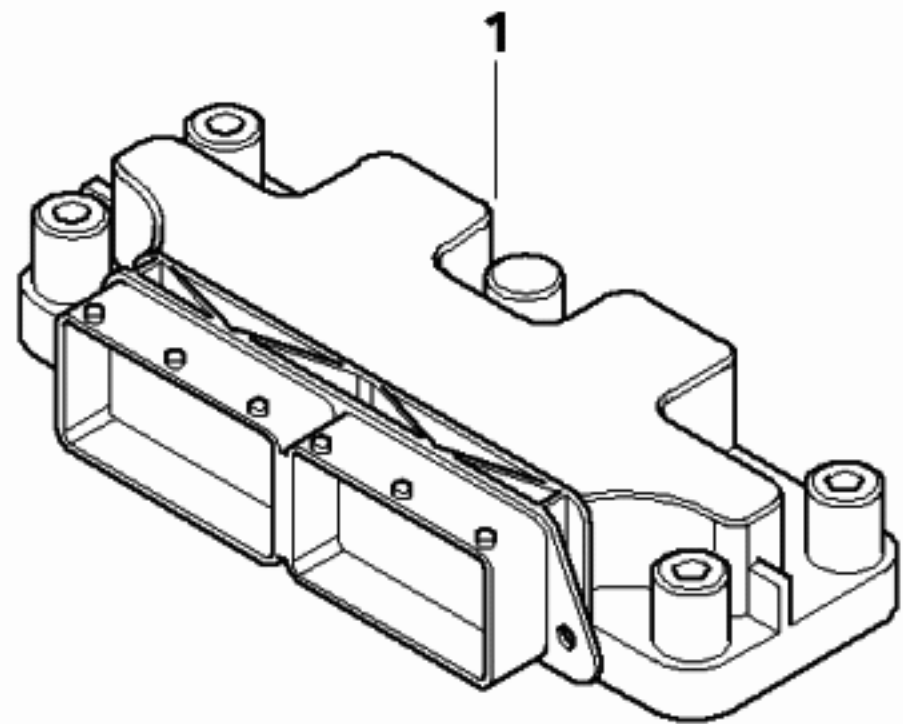
00155885

No	Part Number	Description	Qty 
01	61312346550	voltage regulator	1
02	61317699992	bracket, generator regulator	1
03	07129905123	isa screw (M6X30-8.8-ZNS3)	2
04	07119904606	flat washer (6-200 HV-ZNS3)	2
05	51127070202	clip nut (M6-ZNS3)	2
06	06327651203	fillister head screw (M6X12)	2
07	61139123604	plug-in connection bracket	1



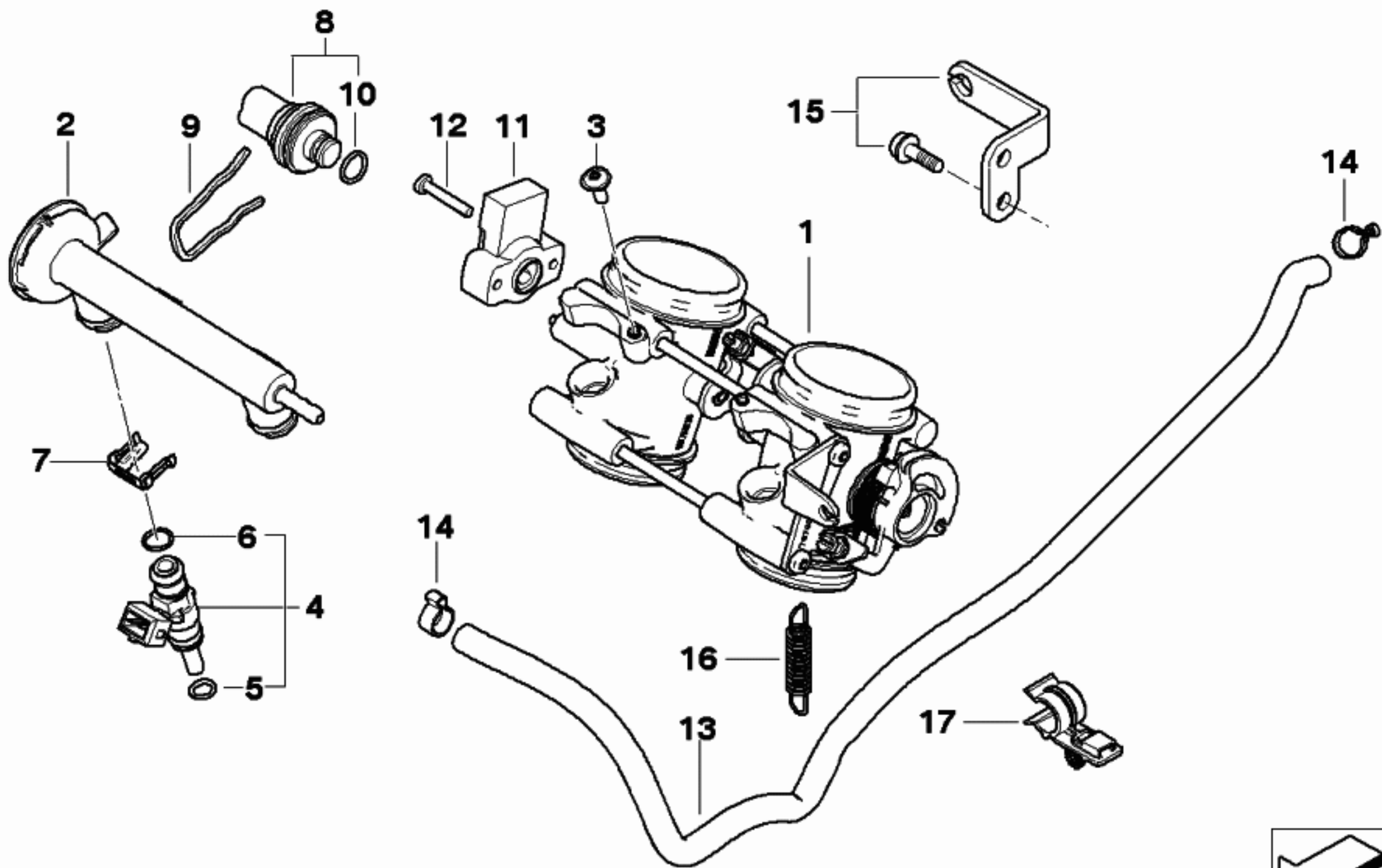
00169963

No	Part Number	Description	Qty 
01	13617718303	programmed bmsk control unit	1



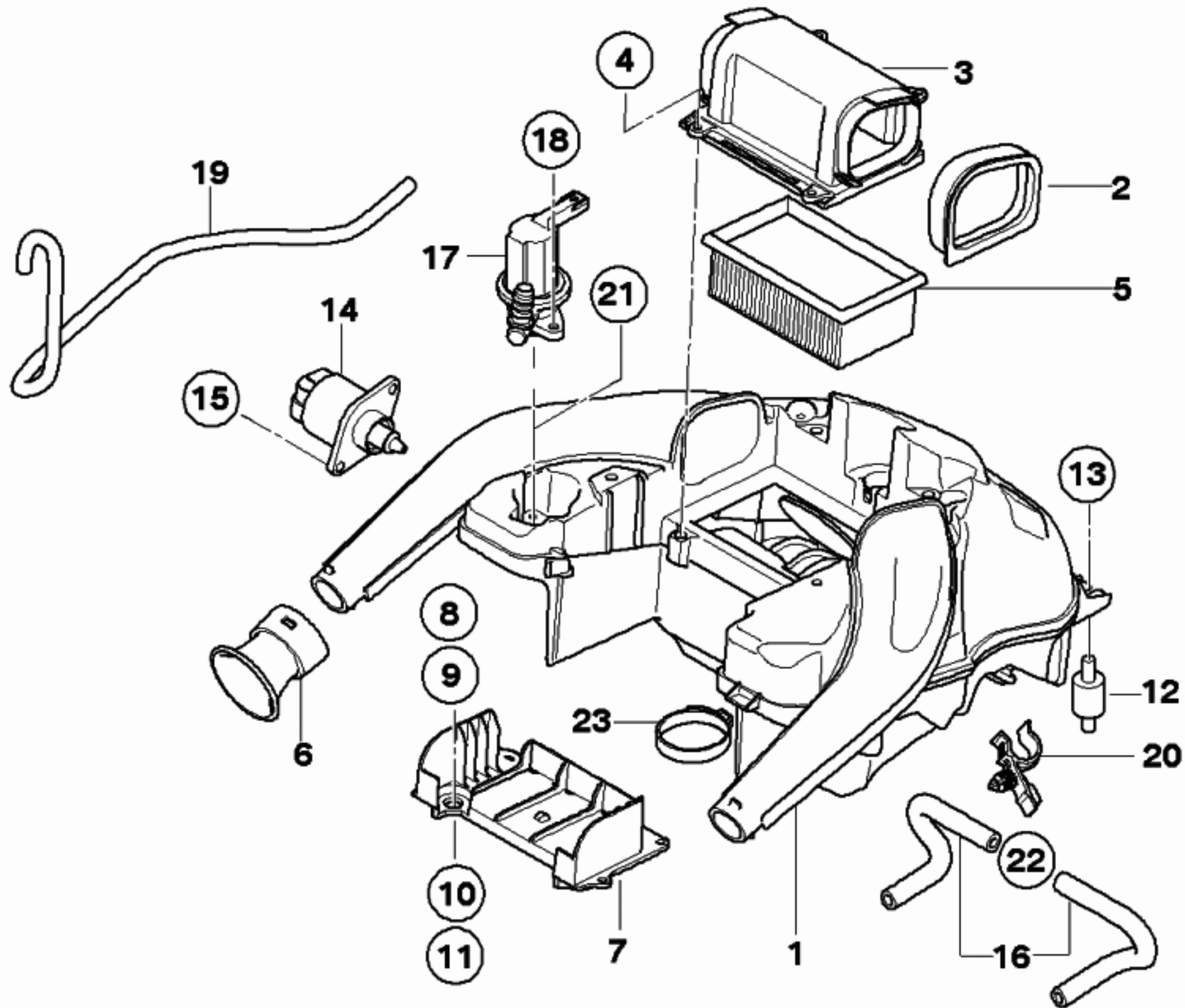
00161126

No	Part Number	Description	Qty 
--	32737700908	accelerator cable	1
--	13547655405	torx bolt (M5X14)	1
--	13547702371	bracket for accelerator bowden cable (25KW)	1
--	13547713348	tension spring	1
--	13547655405	torx bolt (M5X14)	2
--	32737716115	accelerator cable	1
--	13547655405	torx bolt (M5X14)	2
01	13547713034	throttle housing assy (25KW)	1
01	13547716114	throttle housing assy	1
02	13547680105	injection rail	1
03	07129903323	torx bolt (M5X12)	2
04	13617672335	injection valve (EV14)	2
05	13647675557	o-ring (8,3X3)	2
06	13641437474	o-ring (7,52X3,51)	2
07	13537688795	spring clip	2
08	13537694579	pressure sensor	1
09	13531341694	clamping spring	1
10	13537688284	o-ring pressure sensor (9,25X1,7)	1
11	13547696412	throttle valve switch (4 KOHM)	1
12	13547678225	isa screw (M4X25)	2
13	13547709426	fuel hose (6X11)	1
14	<a href="#">11731277848</a> 	hose clamp (11,1-13,1)	2
15	13547702371	bracket for accelerator bowden cable (25KW)	1
15	13547716113	bracket for accelerator bowden cable	1
16	13547713348	tension spring	1
17	13547711470	cable holder (D=11,5)	1






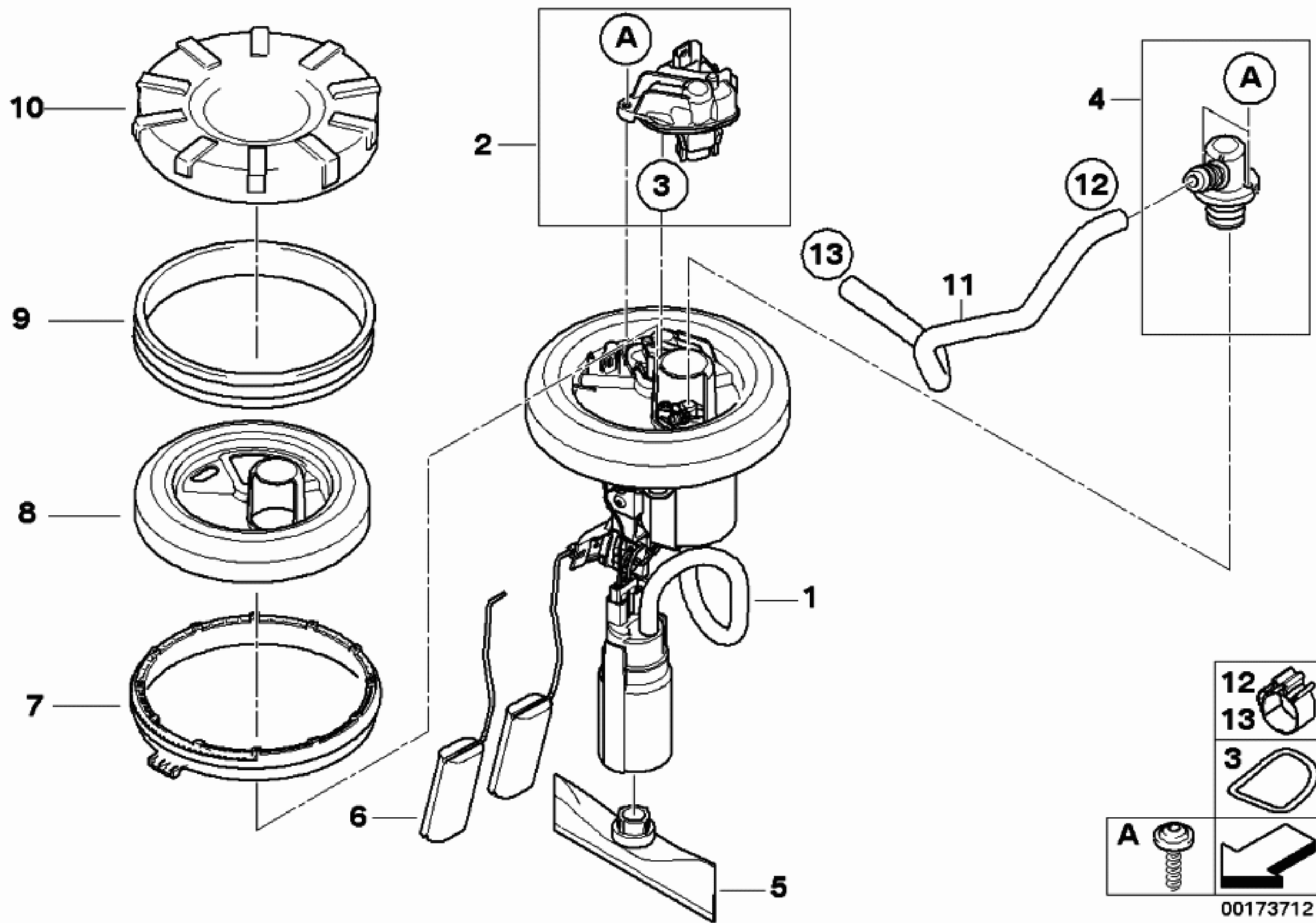
00170567

No	Part Number	Description	Qty 
01	13717679333	air cleaner housing	1
02	13717716029	rubber grommet	1
03	13717679339	holder frame	1
04	06327651204	fillister head screw (M6X16 A2)	4
05	13717679366	air filter element	1
06	13717716640	intake manifold, front	1
07	13717708013	battery tray	1
08	07129905279	isa screw (M6X25-U1-ZNS3)	2
09	07146977329	flat washer (6,4 ZNS3)	2
10	46631451277	grommet	2
11	46631451275	bush	2
12	52537696126	rubber mounting	2
13	07129904381	hex nut with plate (M5-8-ZNNIV SI)	2
14	13717702755	idle control device	1
15	07147133620	torx bolt (ISA TS 5X20)	2
16	13717716027	set, hose, idle actuator	1
20	13547711470	cable holder (D=11,5)	1
21	13717711228	pushrod seal	1
22	13717705608	cap	1
23	13547682115	hose clamp (D=58MM)	2



4	
8	
9	
10	
11	
13	
15	
18	
22	
21	

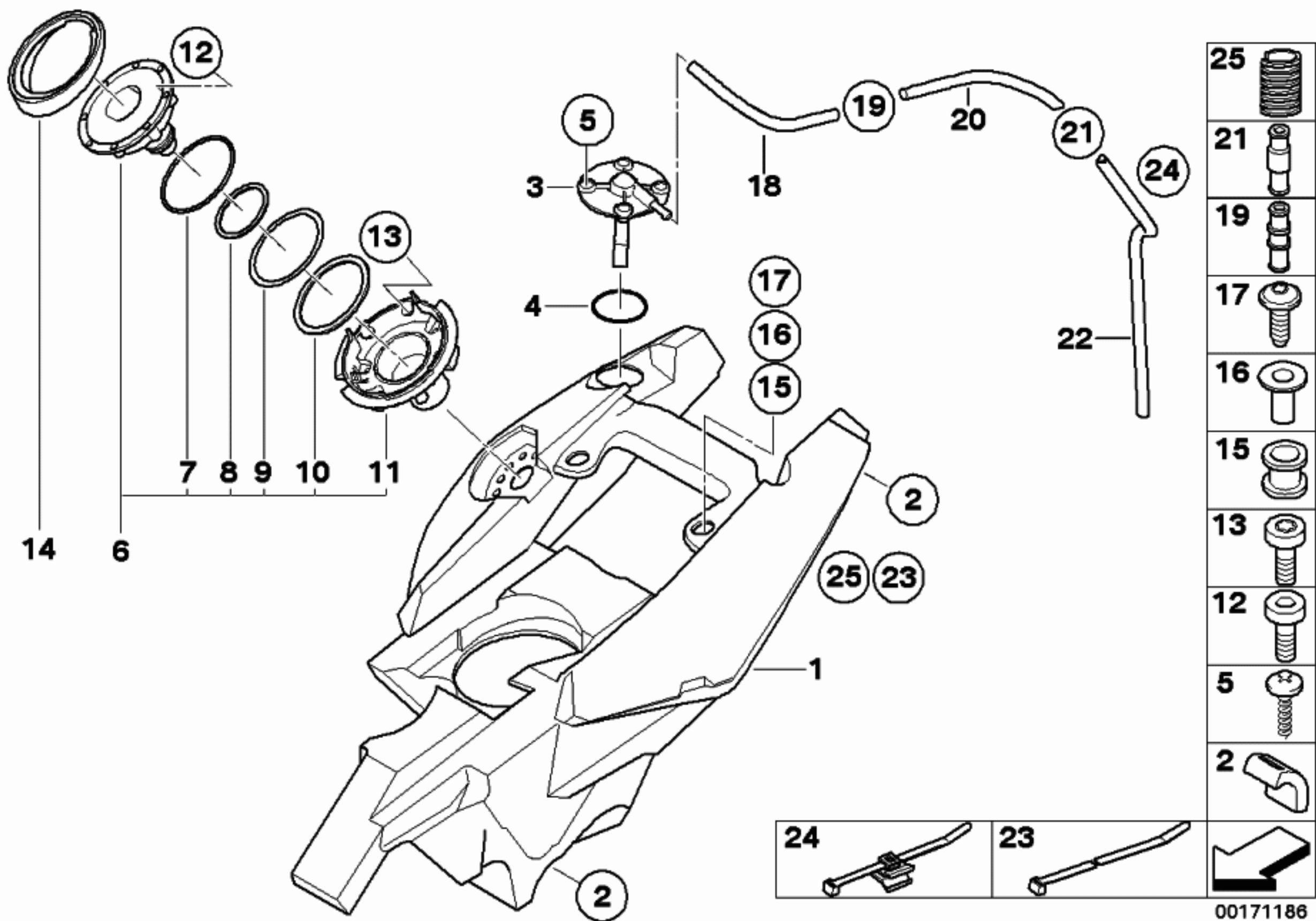
No	Part Number	Description	Qty 
01	16147697696	fuel pump assy	1
02	16147708312	fuel pump, electronic	1
05	16147708314	strainer	1
07	16141182903	supporting ring	1
08	16147693055	cover for fuel pump	1
10	16116760285	screw cap	1
11	13547709426	fuel hose (6X11)	1
12	<a href="#">11731277848</a> 	hose clamp (11,1-13,1)	1
13	<a href="#">11731277848</a> 	hose clamp (11,1-13,1)	1










12	
13	
3	
A	

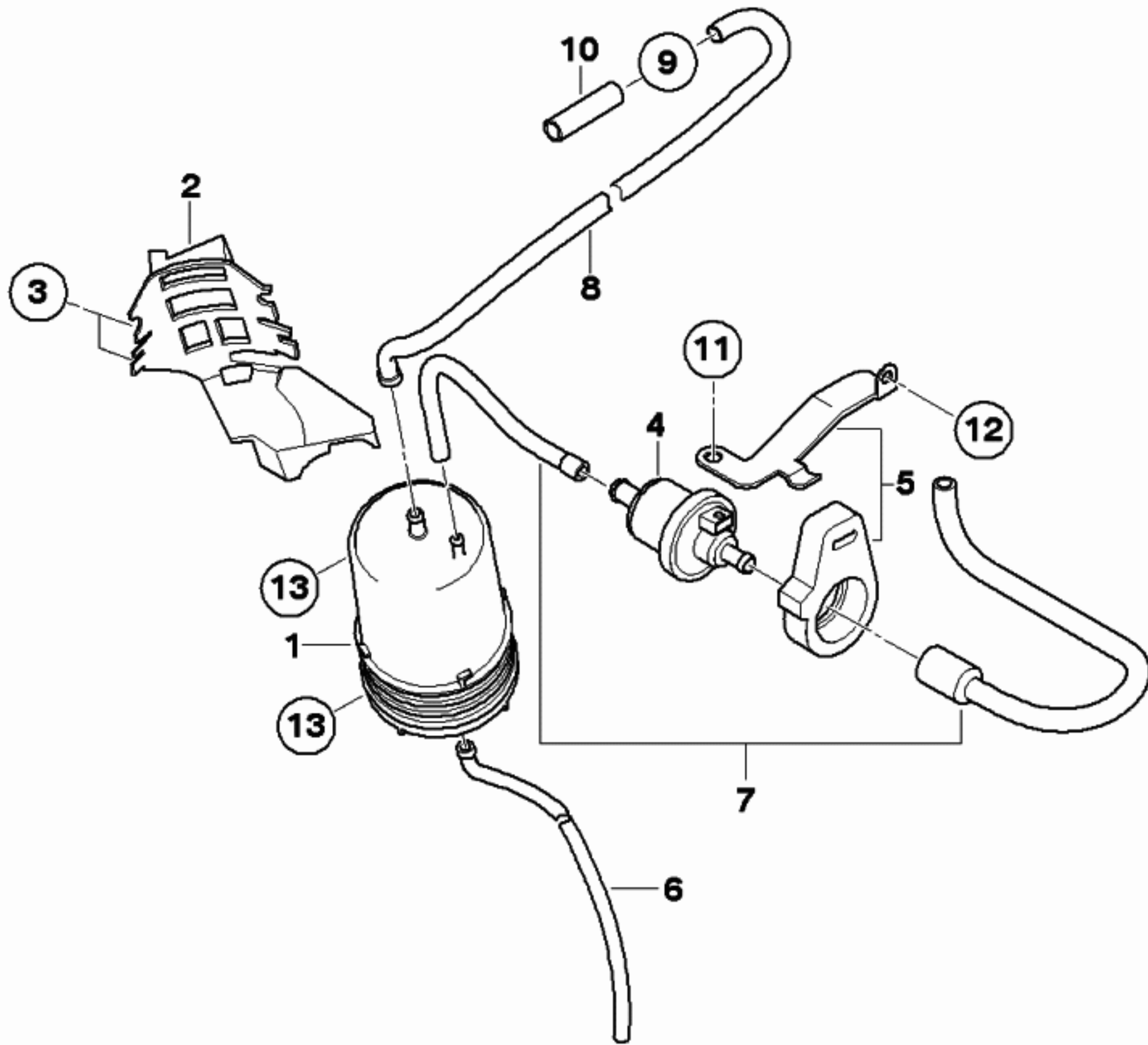
00173712

No	Part Number	Description	Qty 
01	16117704798	fuel tank	1
02	16117686771	tank guide, top	4
03	16117691397	safety valve	1
04	16117691511	gasket	1
05	07146986087	torx-bolt for plastic material (ISA L=20MM)	4
06	16117691502	filler cap	1
07	16117691677	o-ring	1
08	16117691676	cover	1
09	16117691508	gasket, filler cap	1
10	16117691675	wave washer	1
11	16117714671	filler tube	1
12	16117691510	isa screw (M5X20)	4
13	07129903324	isa screw (M5X16)	3
14	46637687667	cover black	1
15	16117692467	rubber grommet	2
16	16117701996	collar bush (20X10X20)	2
17	63127699141	fillister head screw (M6X40)	2
18	11747797115	hose (4,5X9MM)	1
19	61661382908	connection piece	1
21	16117711112	ventilation valve	1
23	61131367599	cable strap (L=200MM/B=3,6MM)	2
24	61136918644	cable strap with bracket (L=200MM)	1
25	16117706736	rubber element	2



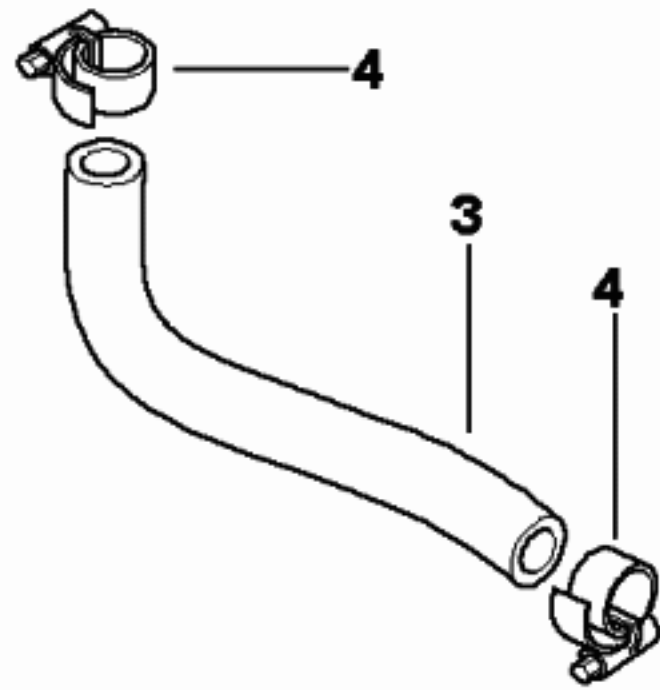
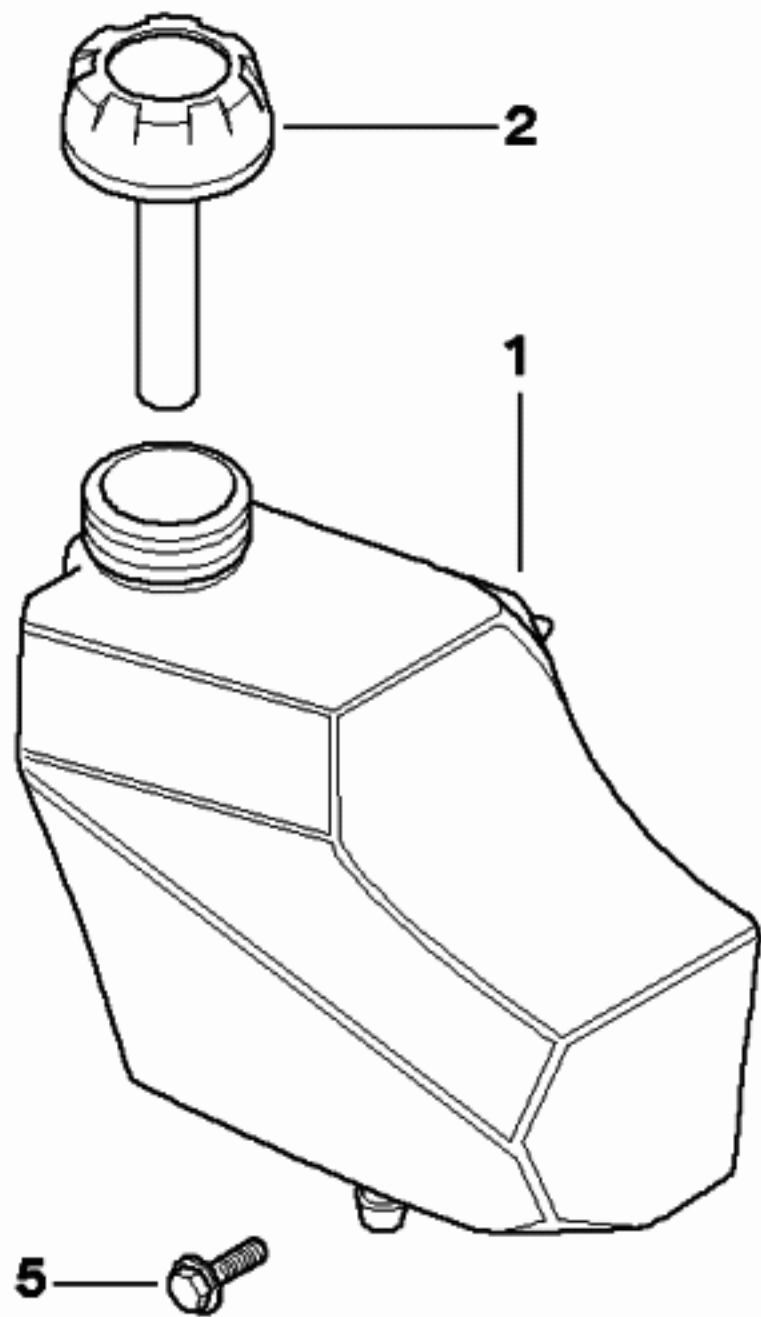
- 25 
- 21 
- 19 
- 17 
- 16 
- 15 
- 13 
- 12 
- 5 
- 2 
- 24 
- 23 

No	Part Number	Description	Qty 
01	16137676361	activated carbon filter	1
02	16137699225	bracket activated carbon container	1
03	16131465035	cable strap	2
04	13901465030	fuel tank breather valve	1
05	13907716641	bracket ventilation valve	1
06	16137699445	hose line	1
07	16137716643	hose line	1
08	16137712950	hose line	1
09	16117716642	ventilation valve	1
10	11747797115	hose (4,5X9MM)	1
11	16137704562	oval head screw (M5X10)	1
12	16137704563	oval head screw (M5X14)	1
13	61136918644	cable strap with bracket (L=200MM)	1




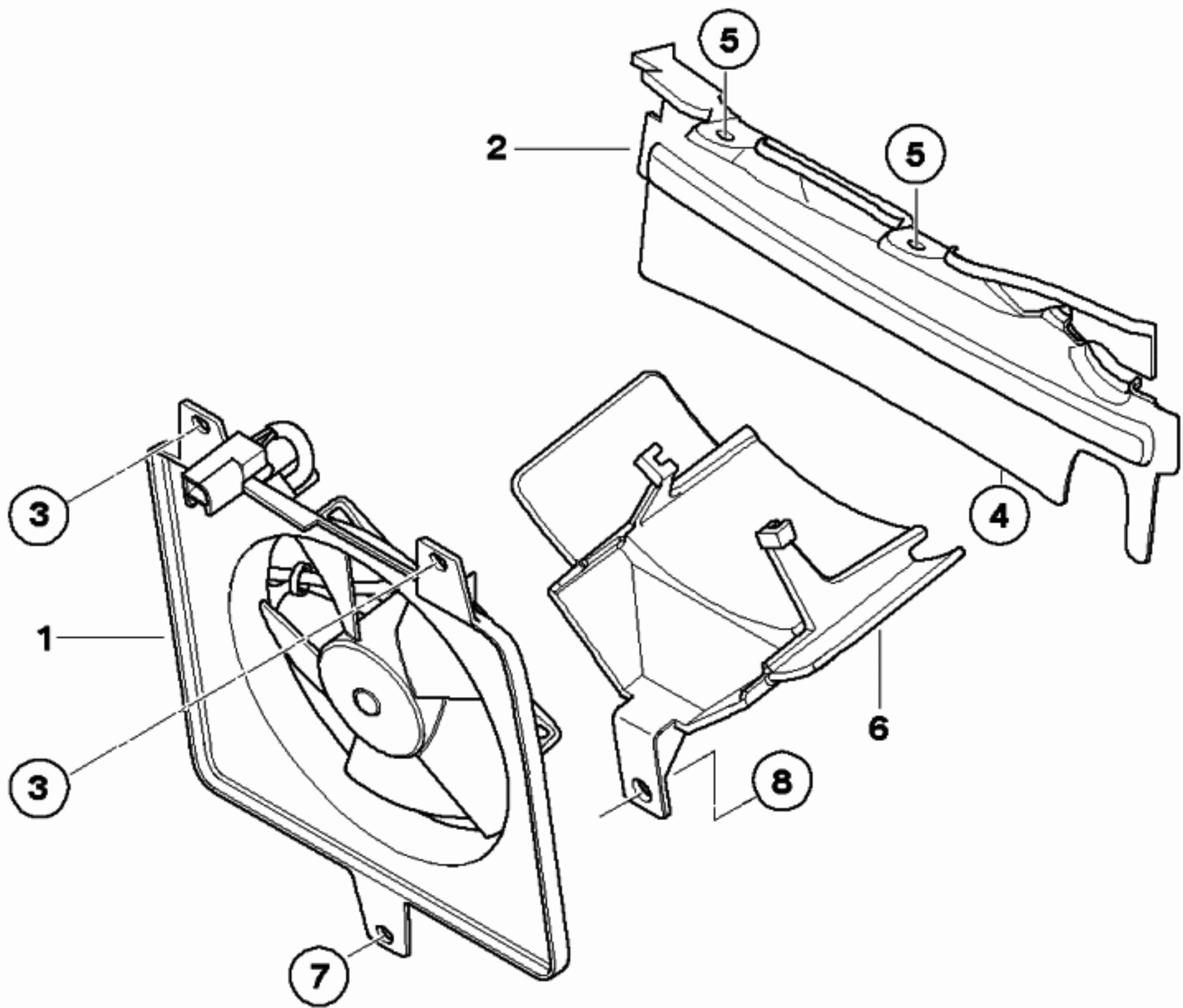
00172327







No	Part Number	Description	Qty 
01	17117679343	expansion tank	1
02	17117672750	cover lid	1
03	17117701027	hose	1
04	07129952104	hose clamp (L12-15)	2
05	46637659459	fillister head screw (M6X16)	2




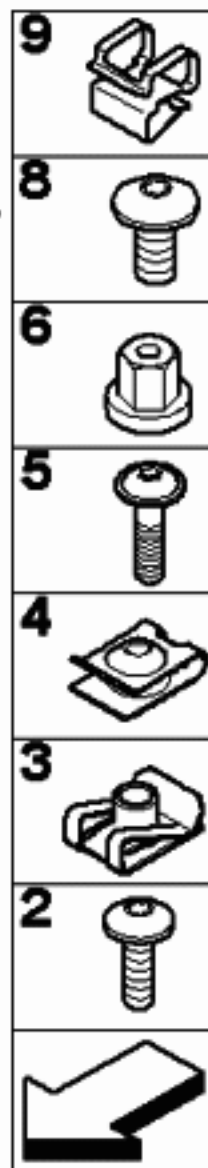
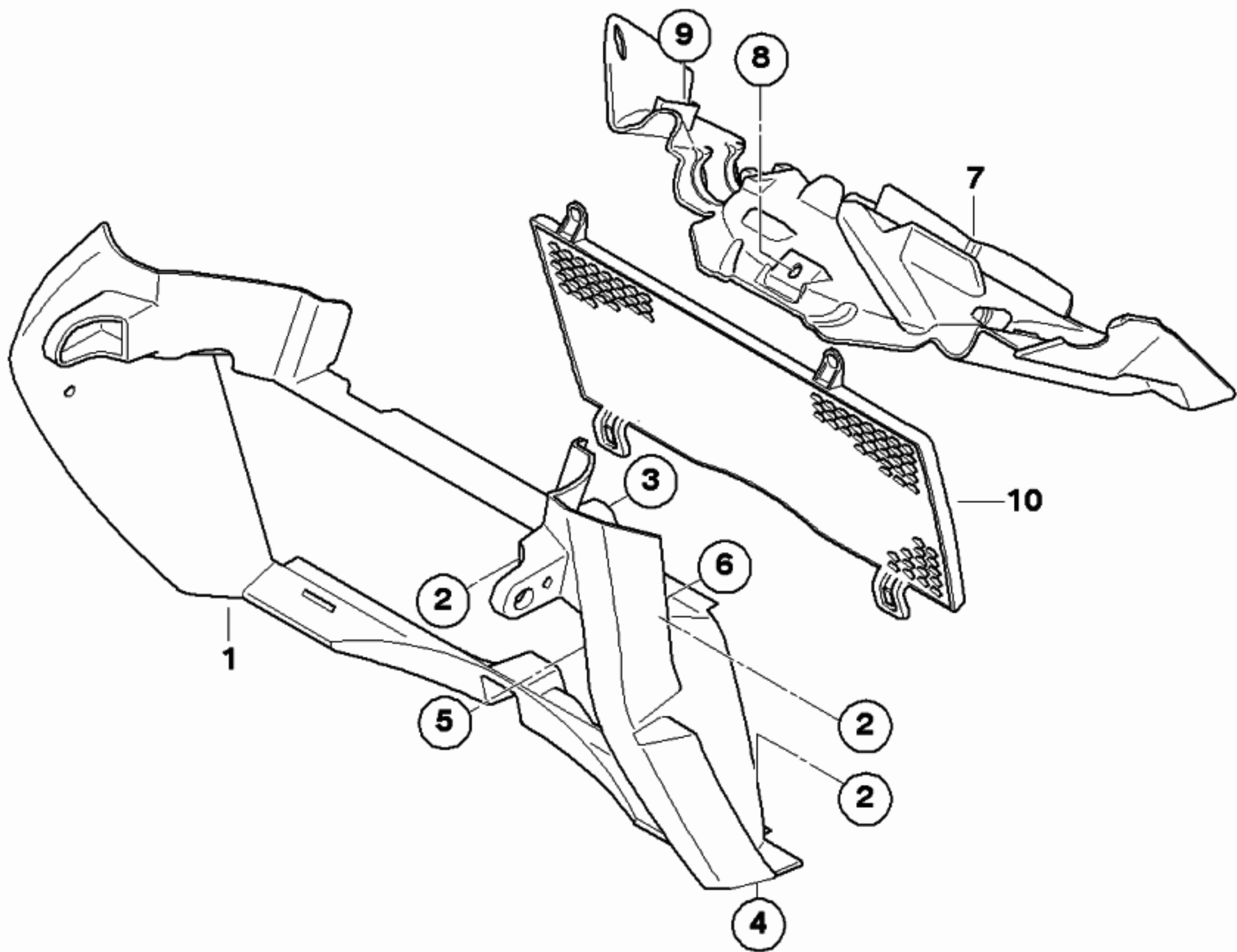
00153070

No	Part Number	Description	Qty 
01	17117705649	fan	1
03	51498237075	expanding rivet	3



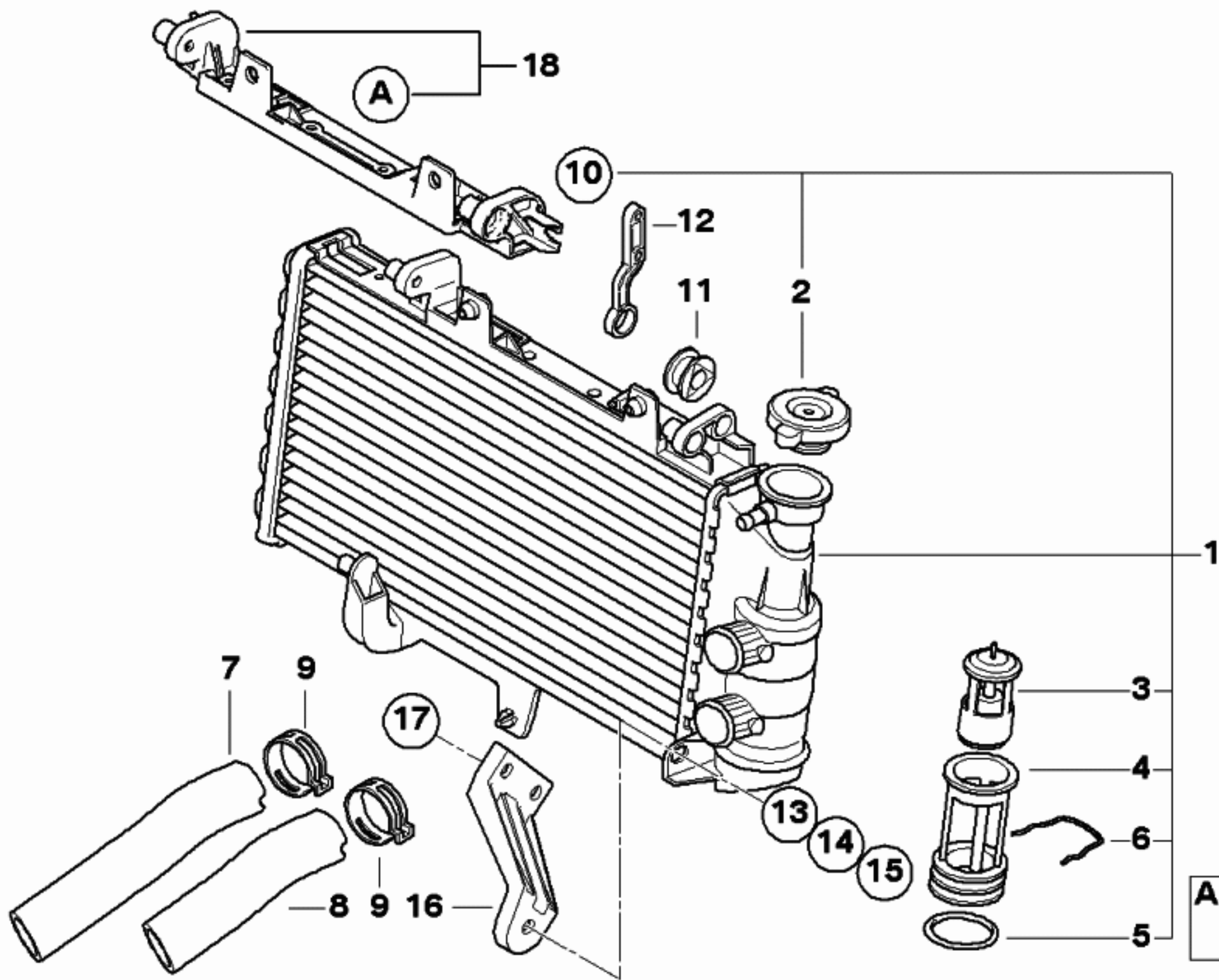
- 8 
- 7 
- 5 
- 4 
- 3 
- 

No	Part Number	Description	Qty 
07	46637685182	heat shield	1
08	06327651211	fillister head screw (M5X12)	1



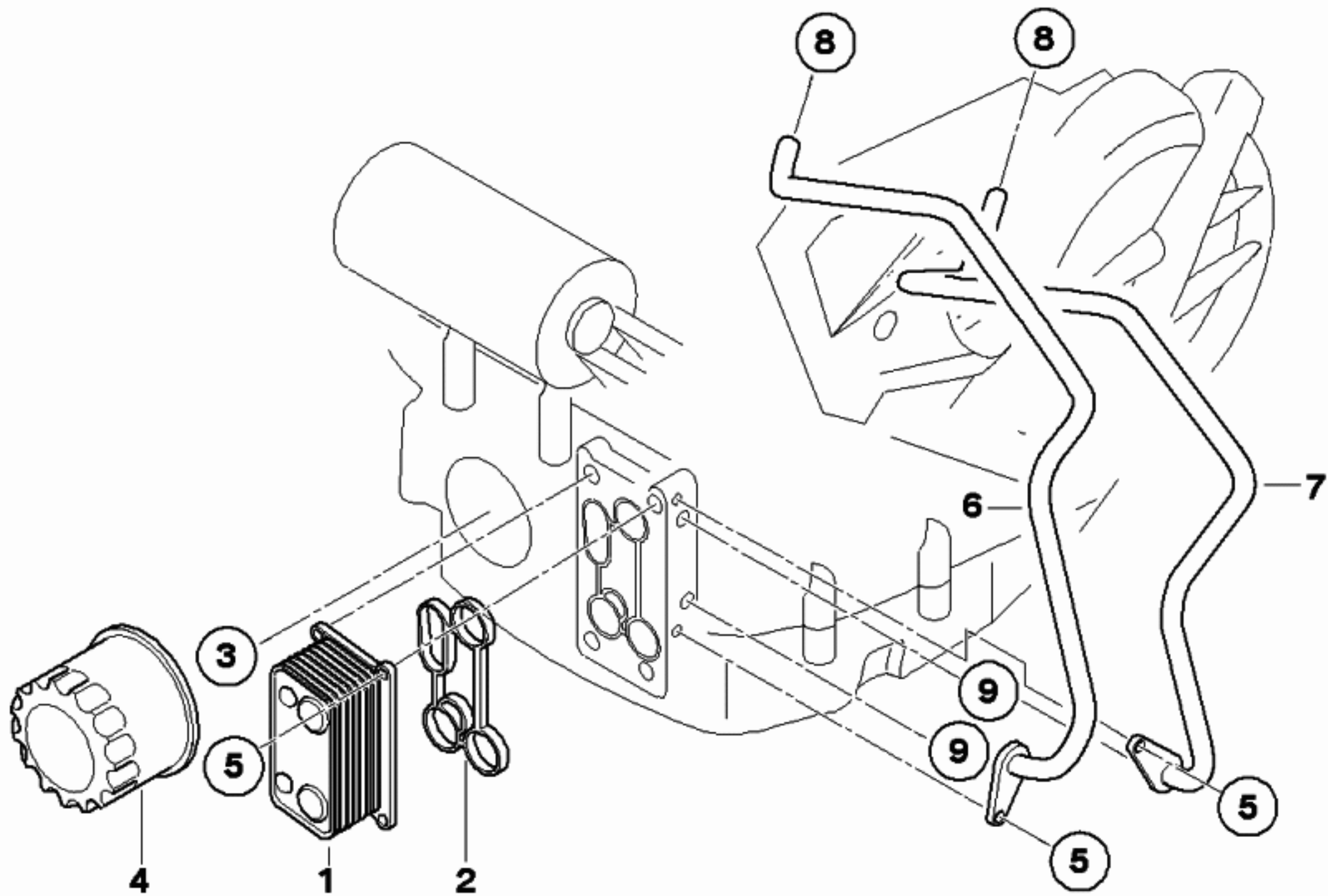
00176326

No	Part Number	Description	Qty 
01	17117678284	radiator	1
02	17117695769	cover lid	1
03	17111464985	thermostat	1
04	17117692439	cover, thermostat housing	1
05	17111464984	o-ring (36X4 EPDM)	1
06	17117679296	spring clip	1
07	17127701024	water hose inlet	1
08	17127701025	water hose outlet	1
09	17127696320	spring ring slight (D=32)	4
10	61131378997	bracket, plug connection white	1
11	13712343569	rubber grommet	2
12	17117702123	bracket upper	2
13	46717676553	bush	1
14	31421236240	rubber grommet	2
15	11117653180	fillister head screw (M6X20)	1
16	17117698305	bracket lower left	1
16	17117700857	bracket, radiator bottom right	1
17	07129904876	hex nut (M6-8-ZNS3)	5
18	17117709754	repair kit for radiator bracket	1




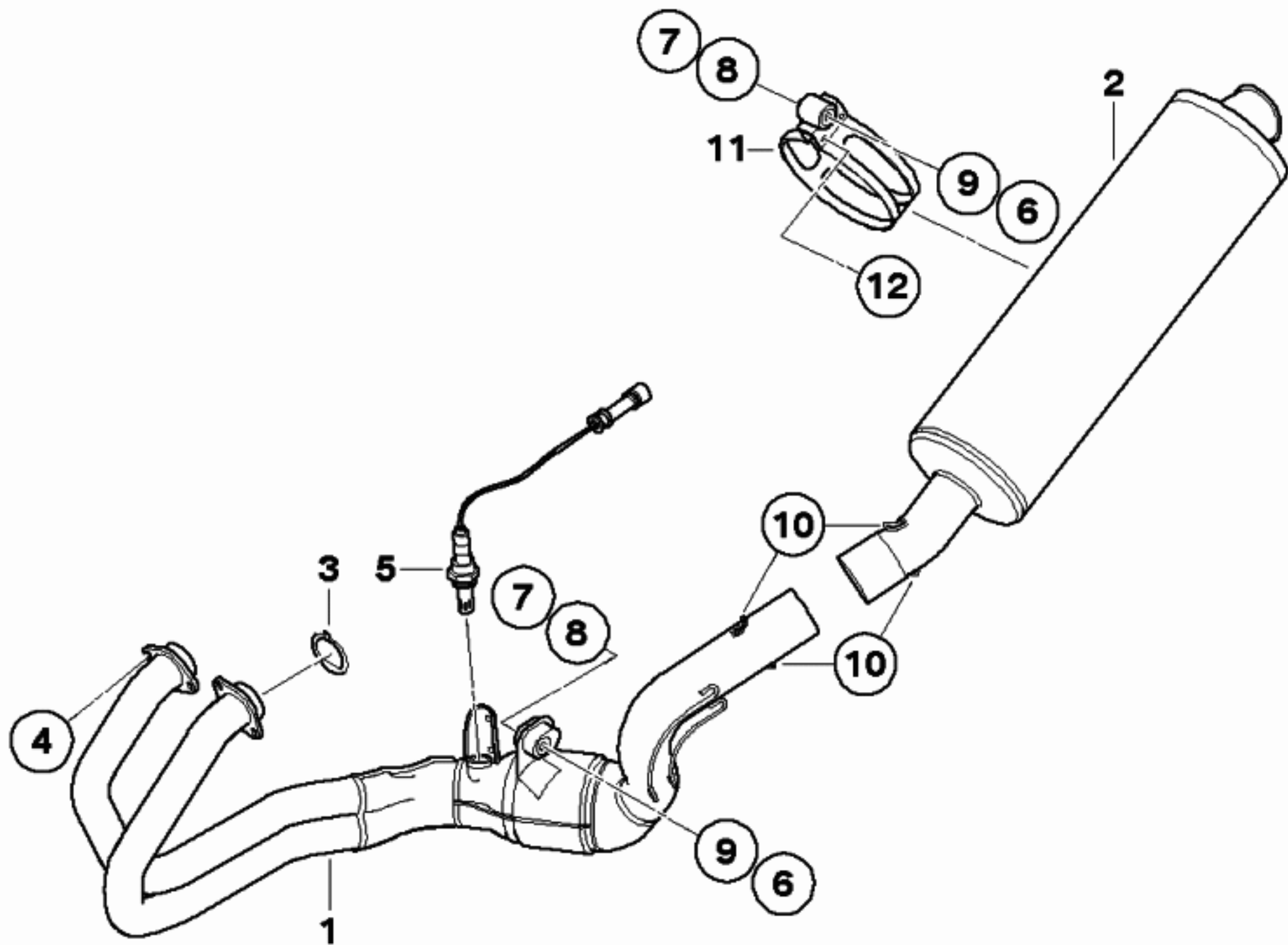
17	
15	
14	
13	
10	
A	

No	Part Number	Description	Qty 
01	11447710882	heat exchanger	1
02	11447708310	preformed seal	1
03	11447708130	nipple	1
04	11427673541	oil filter for catalyst	1
05	23007690404	torx bolt (M6X16)	6
06	11447708309	pipe	1
07	11447708308	pipe	1
08	17127696377	spring ring slight (D=19)	4
09	11117694729	o-ring (12X2,5)	2



00170208

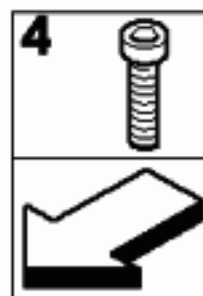
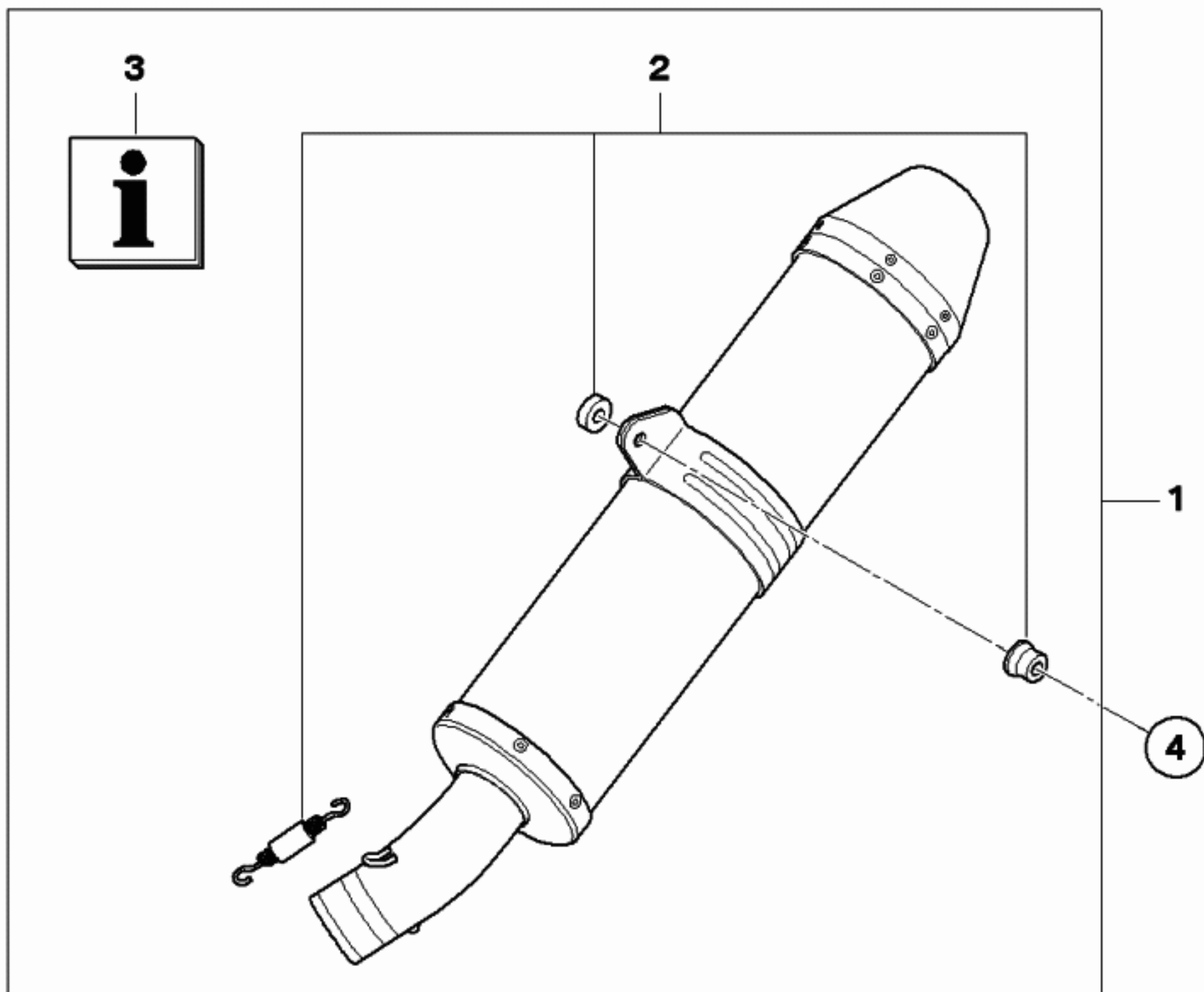
No	Part Number	Description	Qty 
01	18117679347	exhaust manifold	1
02	18127679350	muffler	1
03	18217672804	exhaust gasket	2
04	18217676551	securing nut (M7)	4
05	11787672785	oxygen sensor	1
06	07129905978	screw (M8X50)	2
07	07119905977	hex nut (M8)	1
08	18127673764	spacer sleeve	2
09	18127688981	washer	2
10	18117690266	spring	2
11	18127698065	bracket	1
12	18127711990	screw (M6X31)	2



- |    |  |
|----|--|
| 10 |  |
| 9  |  |
| 8  |  |
| 7  |  |
| 6  |  |
| 12 |  |
| 4  |  |
|    |  |

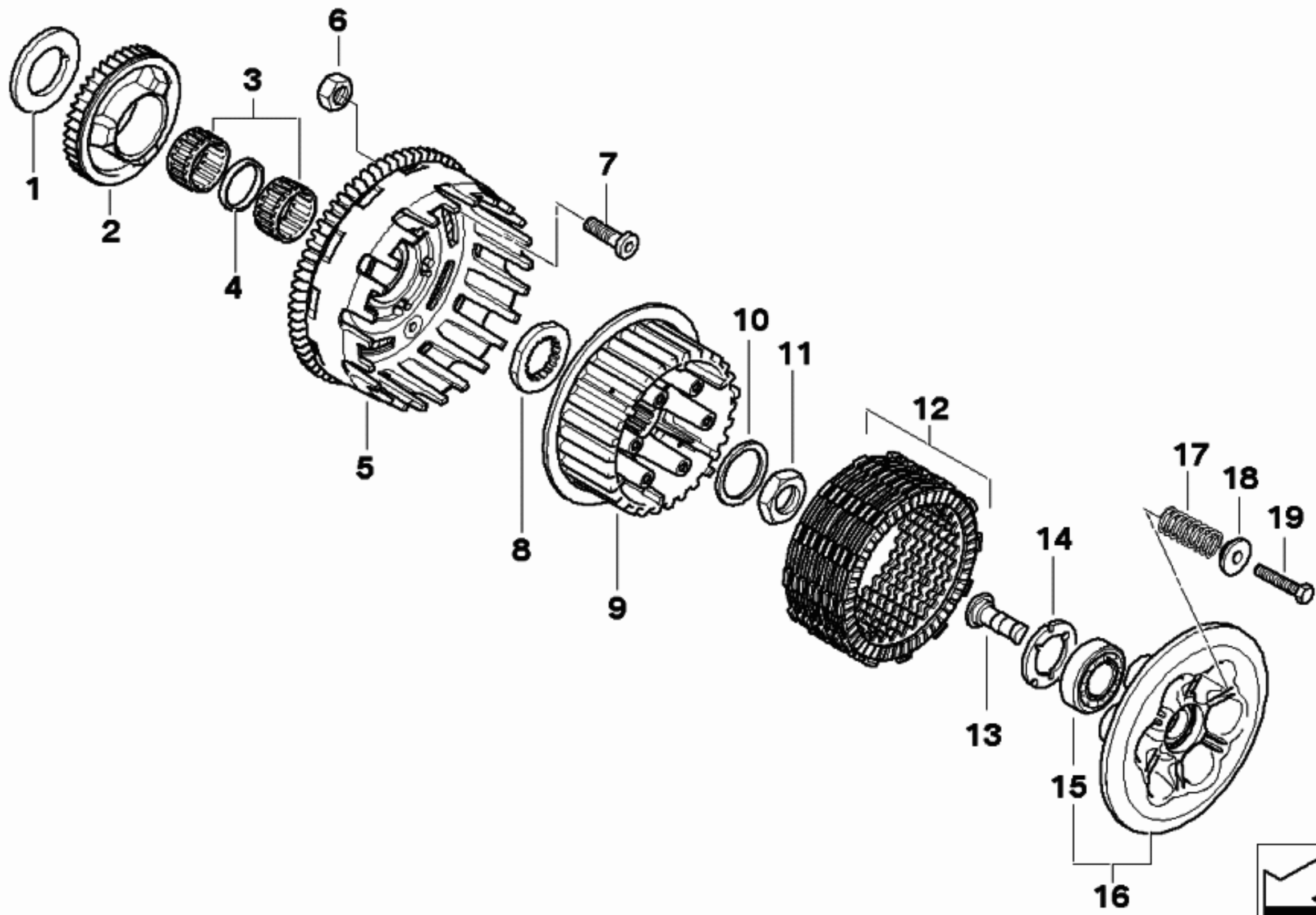
00163128

No	Part Number	Description	Qty 
01	<a href="#">71607713339</a> 	sports rear silencer (AKRAPOVIC)	1
02	71607709424	set mounting parts	1
03	71607709425	installation instructions, sport muffler	1
04	07129905978	screw (M8X50)	1



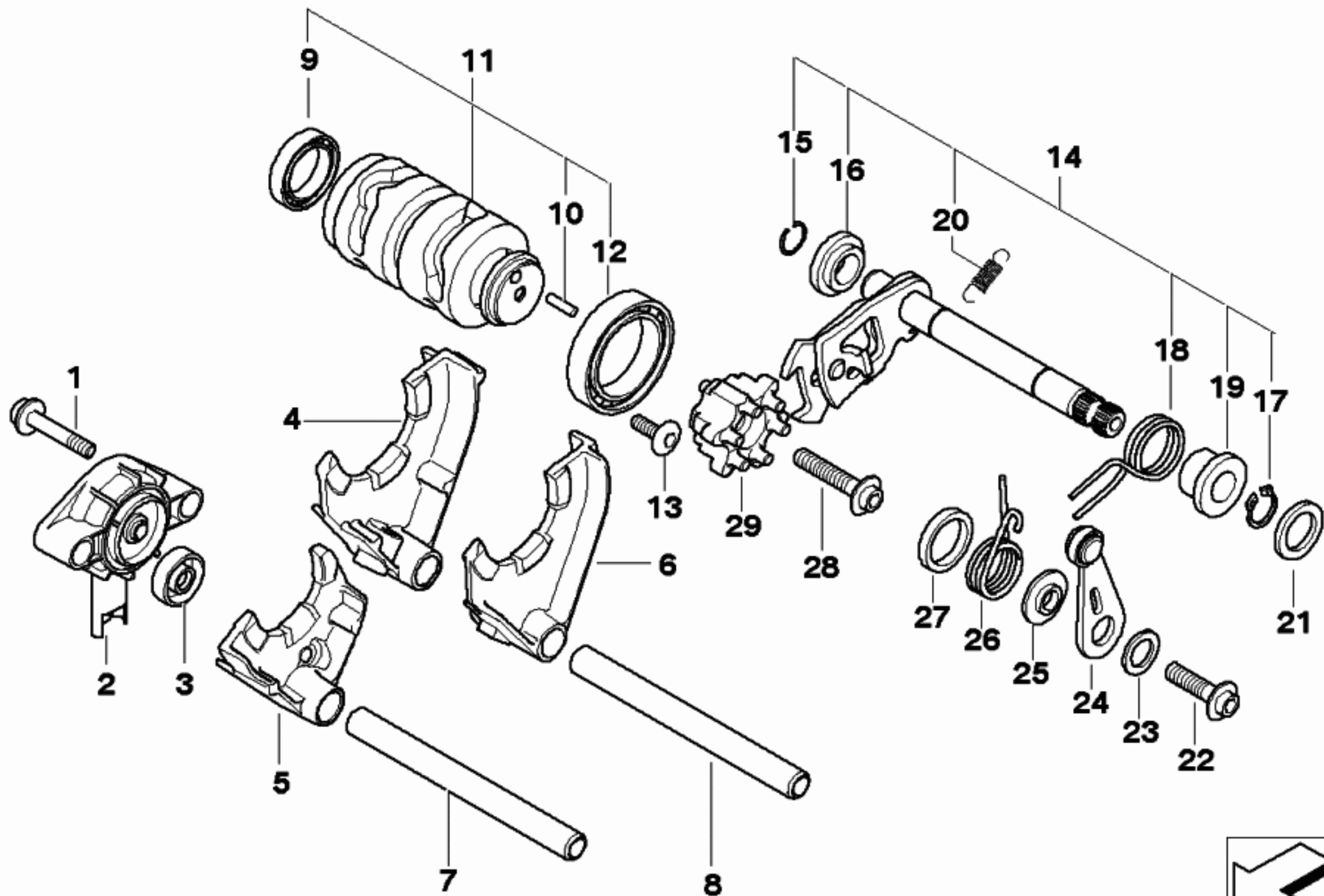
00166505

No	Part Number	Description	Qty 
--	21217699586	set of clutch disks / clutch springs (13MM)	1
01	21217690415	stop disk (30,2X50X2,5)	1
01	21217701769	stop disk (30,2X50X2,52)	1
01	21217701770	stop disk (30,2X50X2,54)	1
01	21217701771	stop disk (30,2X50X2,56)	1
01	21217701772	stop disk (30,2X50X2,58)	1
01	21217701773	stop disk (30,2X50X2,60)	1
01	21217701774	stop disk (30,2X50X2,62)	1
01	21217701775	stop disk (30,2X50X2,64)	1
01	21217701776	stop disk (30,2X50X2,66)	1
01	21217701777	stop disk (30,2X50X2,68)	1
01	21217701778	stop disk (30,2X50X2,70)	1
01	21217701779	stop disk (30,2X50X2,72)	1
02	11417690442	oil pump gearwheel (42 Z)	1
03	21217699576	needle cage (30X35X13 B)	2
04	21217708128	spacer ring	1
05	21217699581	clutch housing	1
06	21217690310	hex nut (M8)	3
07	21217690309	countersunk head screw (M8X25)	3
08	21217690414	interm.ring (25X43,6X5)	1
09	21217690423	driving dog	1
10	21217690426	wave washer (24,5X40X1,8)	1
11	21217690425	hex nut (M24X1,5)	1
12	21217699586	set of clutch disks / clutch springs (13MM)	1
13	21217670692	release bearing	1
14	21217711092	stop disk (18,2/27/1,2)	1
15	21217690421	grooved ball bearing (20X42X8)	1
16	21217690420	support	1
17	21217695826	clutch spring (18,5X2,2X63MM)	6
18	21217708122	step plate	6
19	07119905779	fillister-head screw (M6X45-8.8-PHR)	6




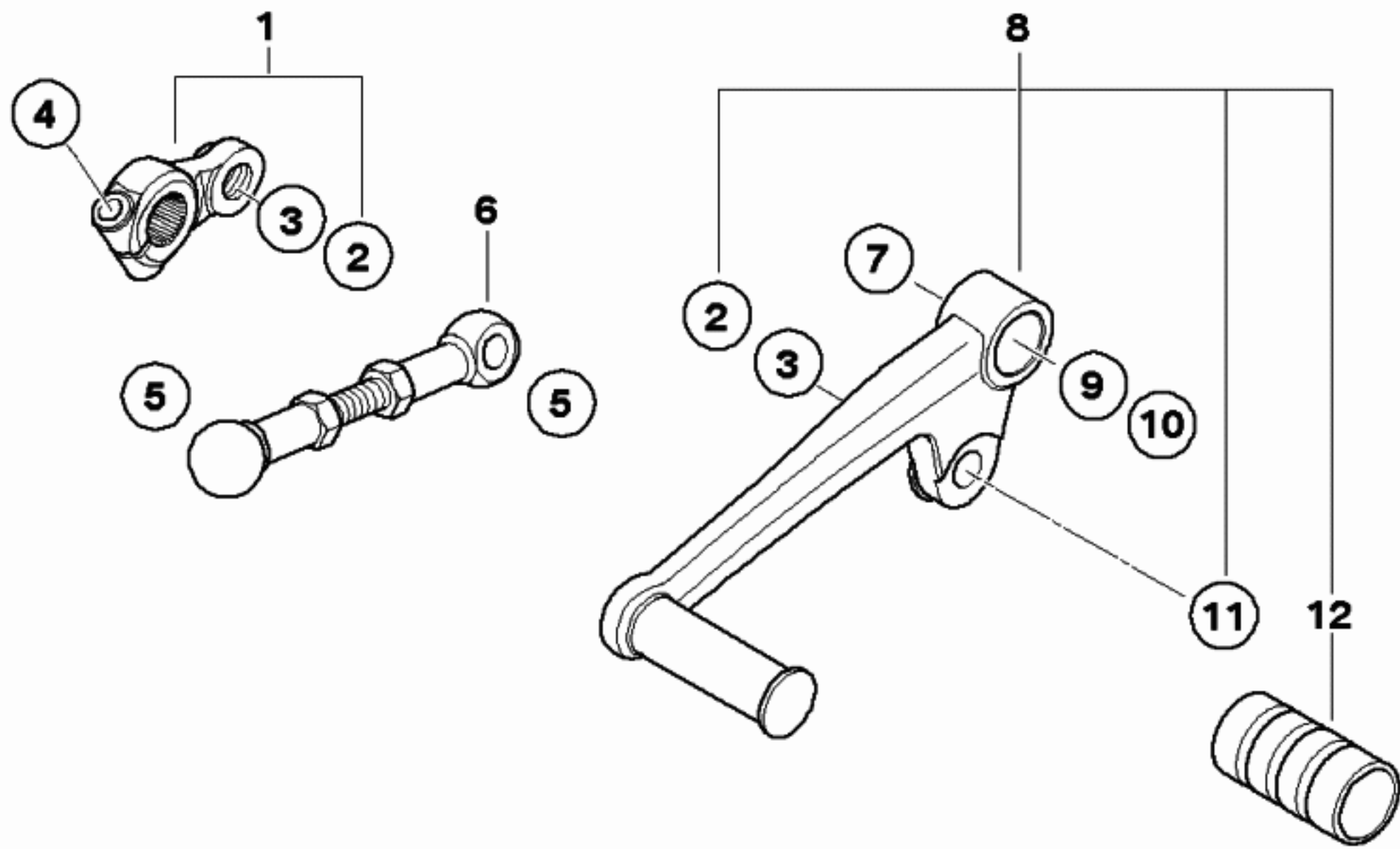
00157115

No	Part Number	Description	Qty 
--	23007711960	potentiometer with wire - 05/2008 and above	1
01	11117672244	torx bolt (M6X30)	2
02	23007680581	potentiometer - Up to 05/2008	1
02	23007711960	potentiometer with wire - 05/2008 and above	1
03	11117689534	shaft seal (6X22X7)	1
04	23007704815	shifting fork 2nd and 4th gear	1
05	23007690381	shifting fork 5nd and 6th gear	1
06	23007704813	shifting fork 1st and 3rd gear	1
07	23007693543	selector rod	1
08	23007690383	selector rod	1
09	23007690505	grooved ball bearing	1
10	23007699058	roll pin (B4X34,8)	1
11	23007711037	shifting roll - 05/2008 and above	1
12	23007690504	grooved ball bearing (30X55X9)	1
13	11117686583	torx screw (M6X13)	1
14	23007706750	selector shaft cpl.	1
15	23007690394	snap ring	1
16	23007690391	spacer ring	1
17	23007690396	lock ring (12X1)	2
18	23007690392	spring	1
19	23007690395	spacer sleeve	1
20	23007690393	tension spring	1
21	11117699218	stop disk (12,5X21,5X0,5)	1
22	23007690404	torx bolt (M6X16)	1
23	23007690399	washer (6,4)	1
24	23007690400	locking lever	1
25	23007690397	support	1
26	23007712975	spring	1
28	11117672243	torx bolt (M6X25)	1
29	23007712973	shift gear	1




00156985

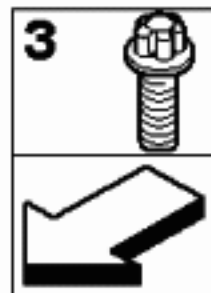
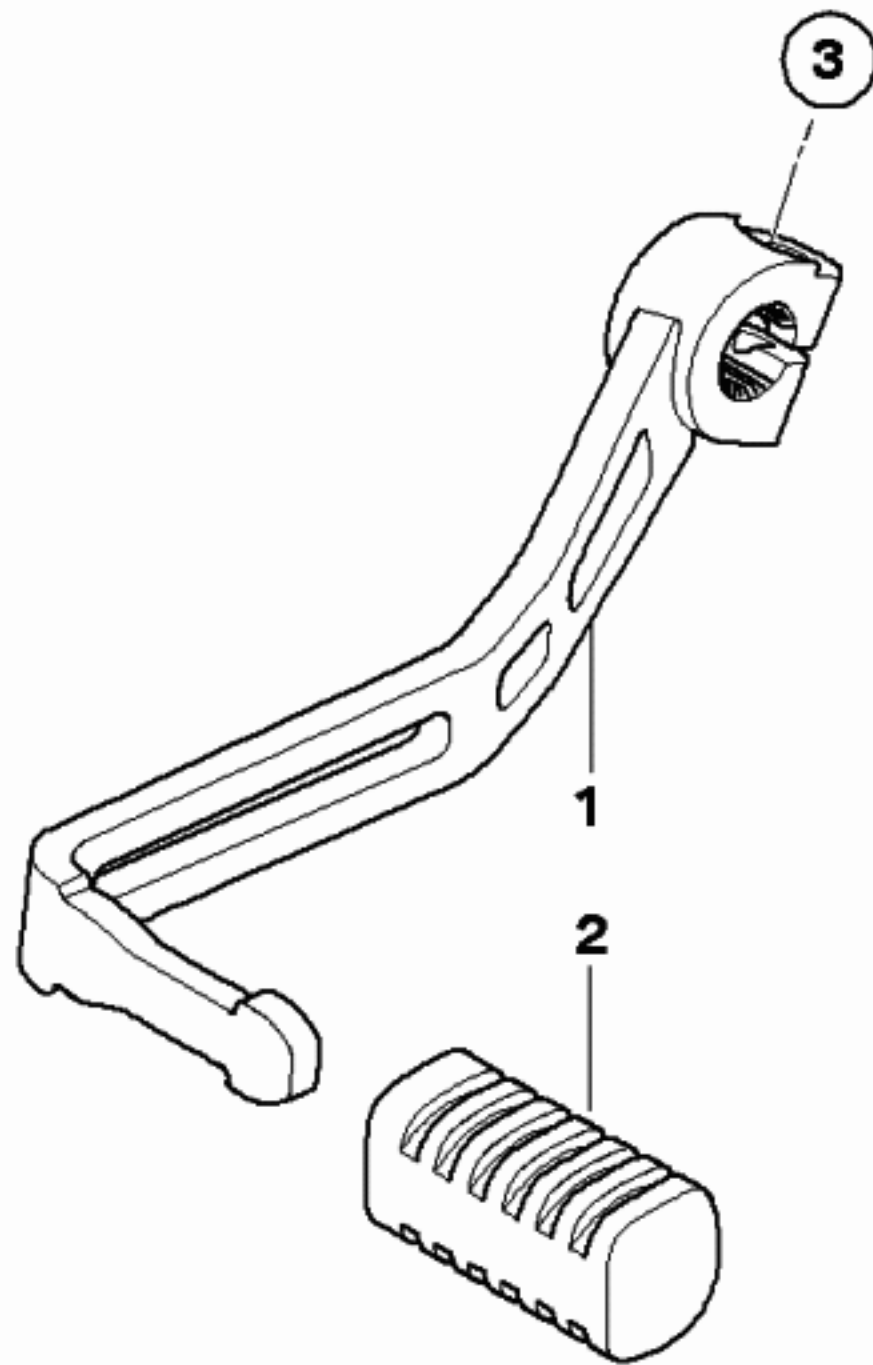
No	Part Number	Description	Qty 
08	23417692232	shift lever	1
12	23417655284	rubber grommet	1




- |    |  |
|----|--|
| 11 |  |
| 10 |  |
| 9  |  |
| 7  |  |
| 5  |  |
| 4  |  |
| 3  |  |
| 2  |  |
|    |  |

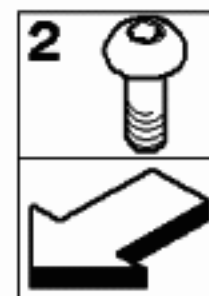
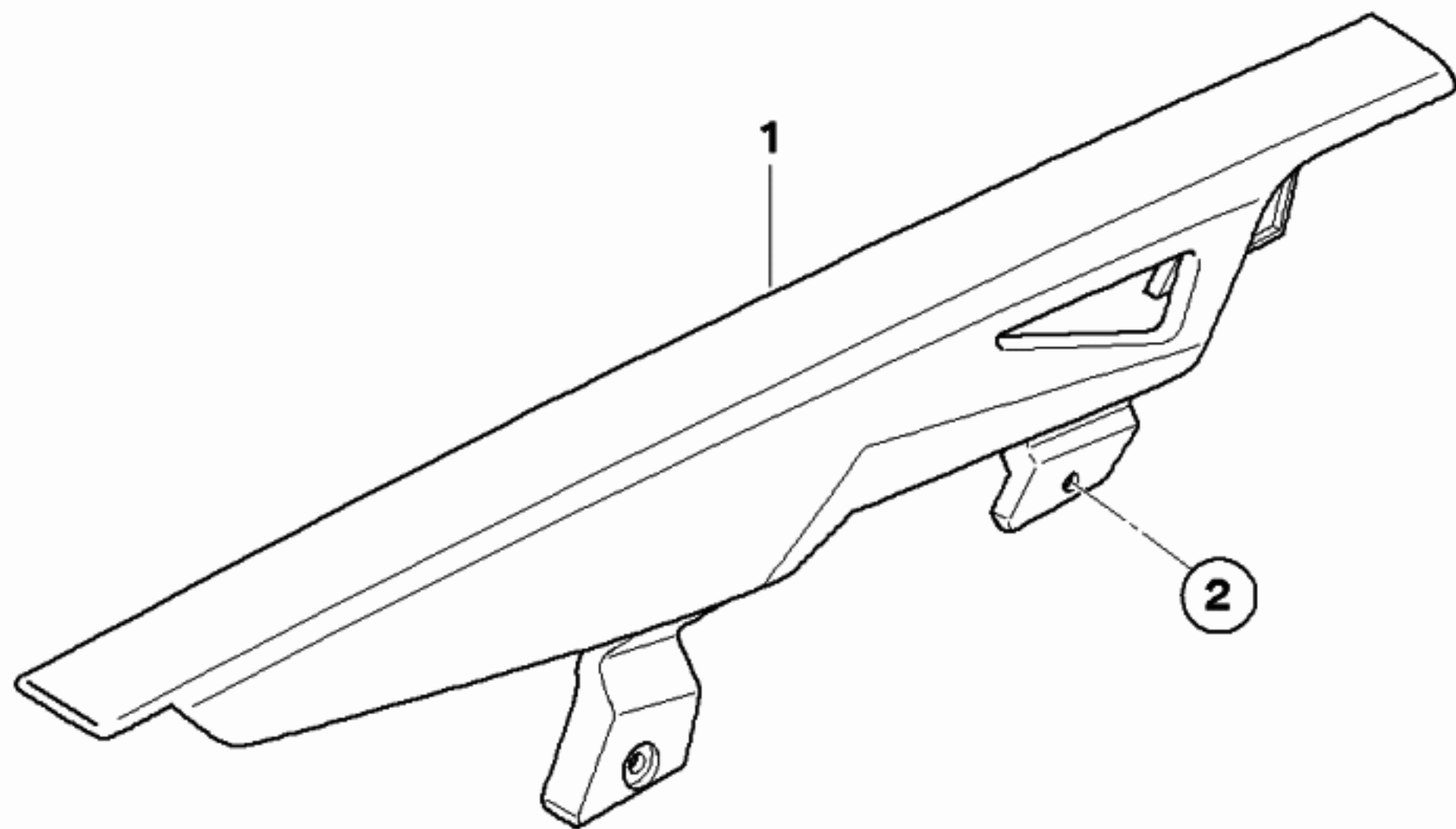
00157714

No	Part Number	Description	Qty 
01	23417692232	shift lever	1
02	23417655284	rubber grommet	1
03	07129903970	asa-bolt (M6X25)	1




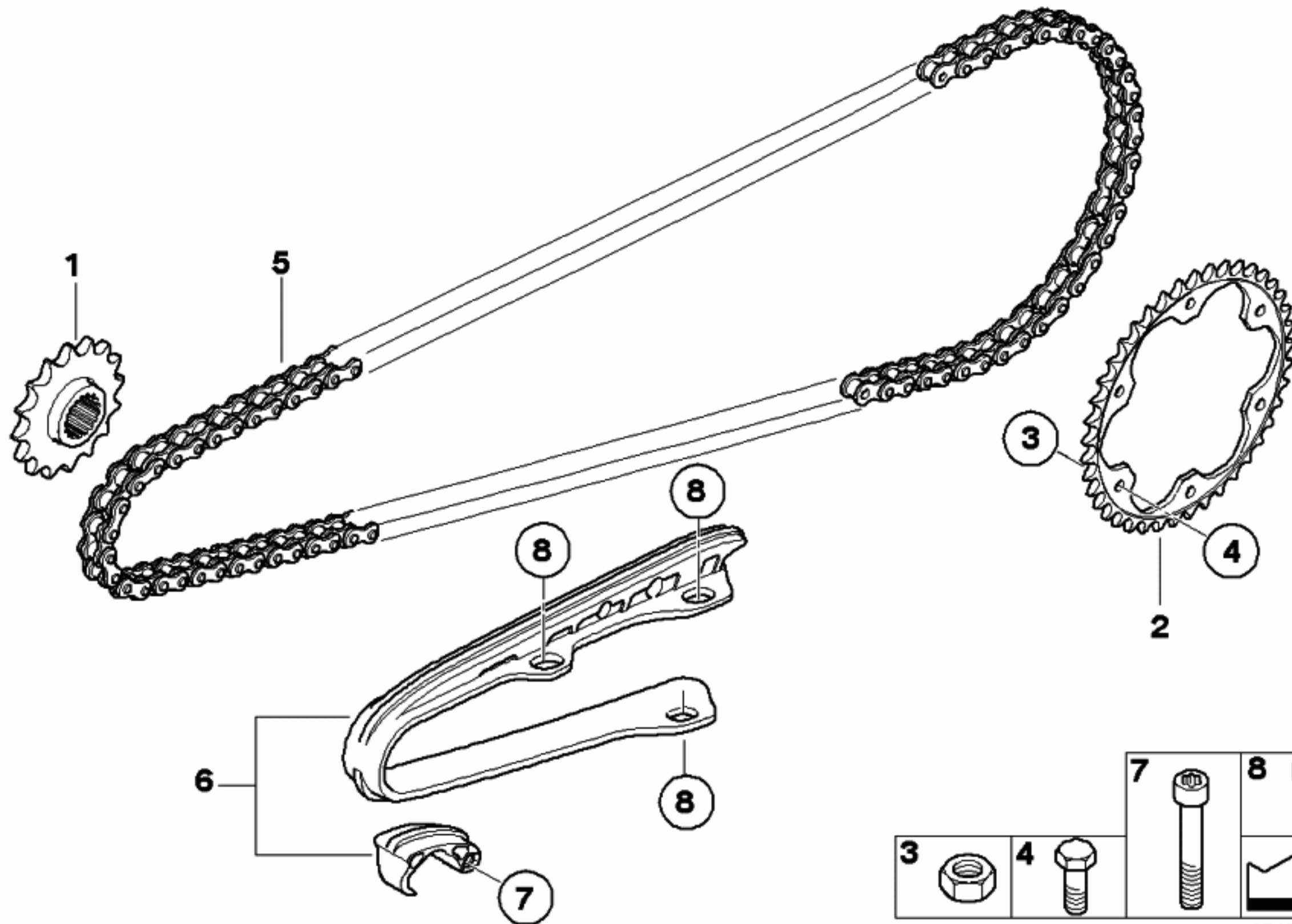
00170009

No	Part Number	Description	Qty 
01	46637687690	cover	1
02	46637659459	fillister head screw (M6X16)	4

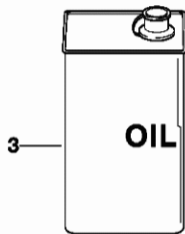
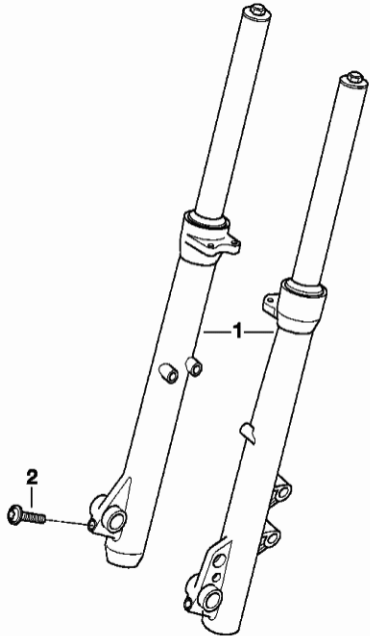


00164652


No	Part Number	Description	Qty 
01	27717708480	sprocket (Z=17)	1
02	27727679373	sprocket (Z=41)	1
03	07119905977	hex nut (M8)	6
04	07119906181	hex bolt (M8X25-8.8-ZNNIV)	6
05	27727679351	chain (116)	1
06	27727712277	set of chain guide rails	1
07	07129903809	isa screw (M6X40)	1
08	07129904849	isa screw (M5X12)	3

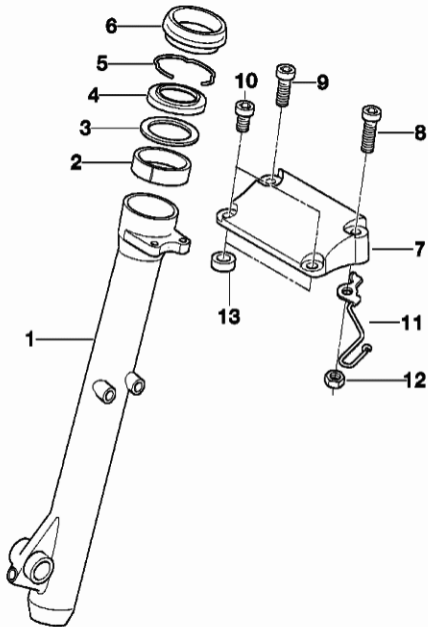


No	Part Number	Description	Qty 
01	31427708911	fork leg left	1
01	31427708912	fork leg right	1
02	07129904066	isa screw (M8X25)	1
03	31427652283	telescoping fork oil (5000ML SAE10)	1
03	31429062158	telescoping fork oil (1000ML SAE10)	1



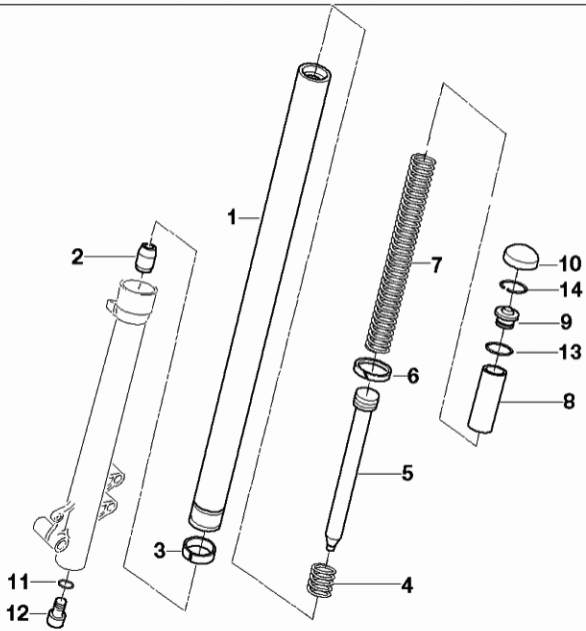
00055921

No	Part Number	Description	Qty 
01	31427708913	left fork slider	1
01	31427708914	right fork slider	1
02	31427666227	guide bush	2
03	31427666226	shim	2
04	31427666225	gasket ring	2
05	31427666224	supporting ring	2
06	31427666223	dust protection collar (D=41MM)	2
07	31427703417	stabilizer	1
08	07129904066	isa screw (M8X25)	4




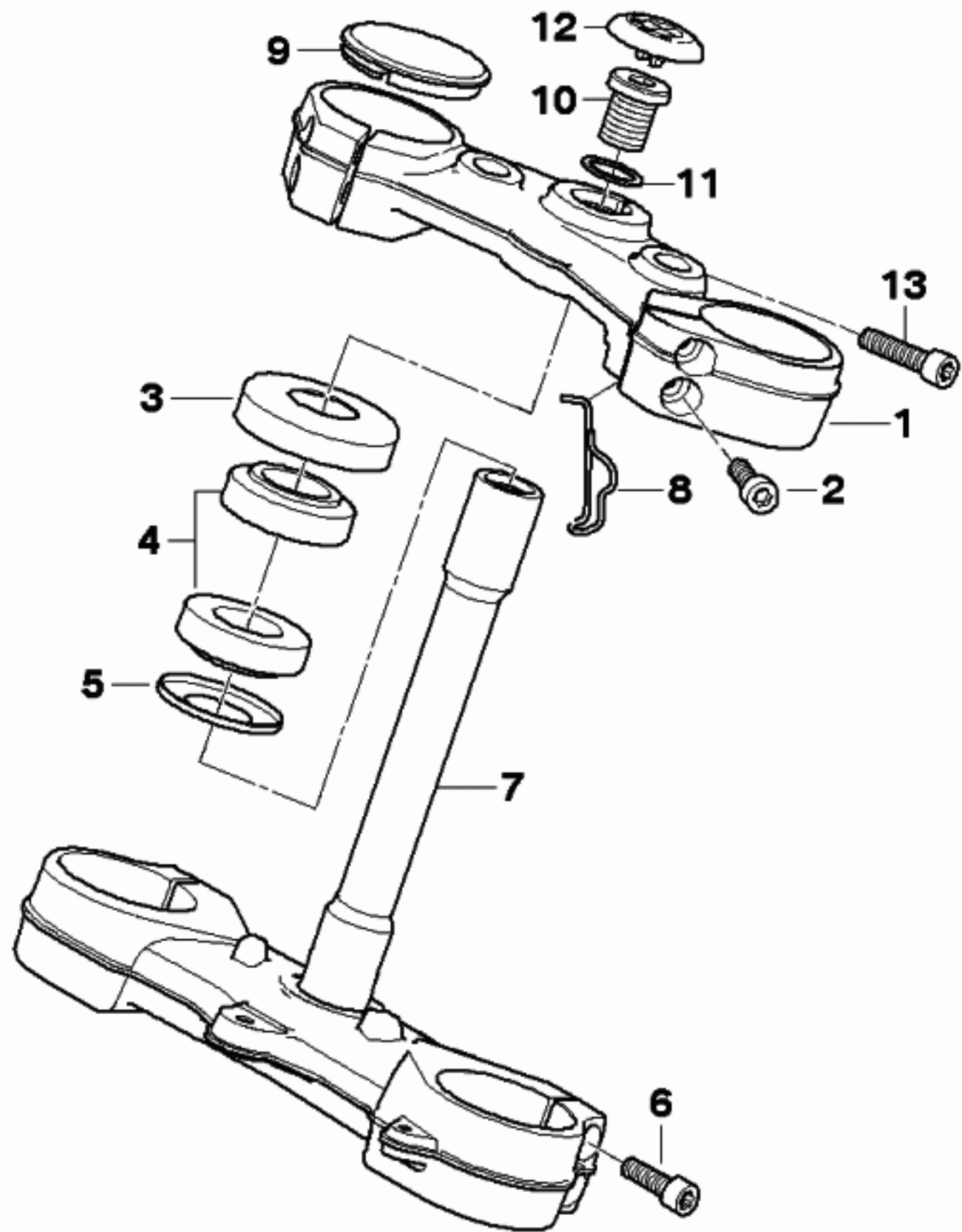
00068242

No	Part Number	Description	Qty 
01	31427698392	stanchion (D=41MM)	2
02	31427666238	stopper	2
03	31427708142	lower bush	2
04	31427666229	compression spring	2
05	31427705922	absorber	2
06	31427666228	gasket	2
07	31427705923	compression spring	2
08	31427705924	spacer tube	2
09	31427666218	plug	2
10	31427666216	covering cap	2
11	31427666239	gasket ring	2
12	31427666240	fillister-head screw (M10X30)	2
13	31427666219	o-ring	2
14	31427666217	snap ring	2




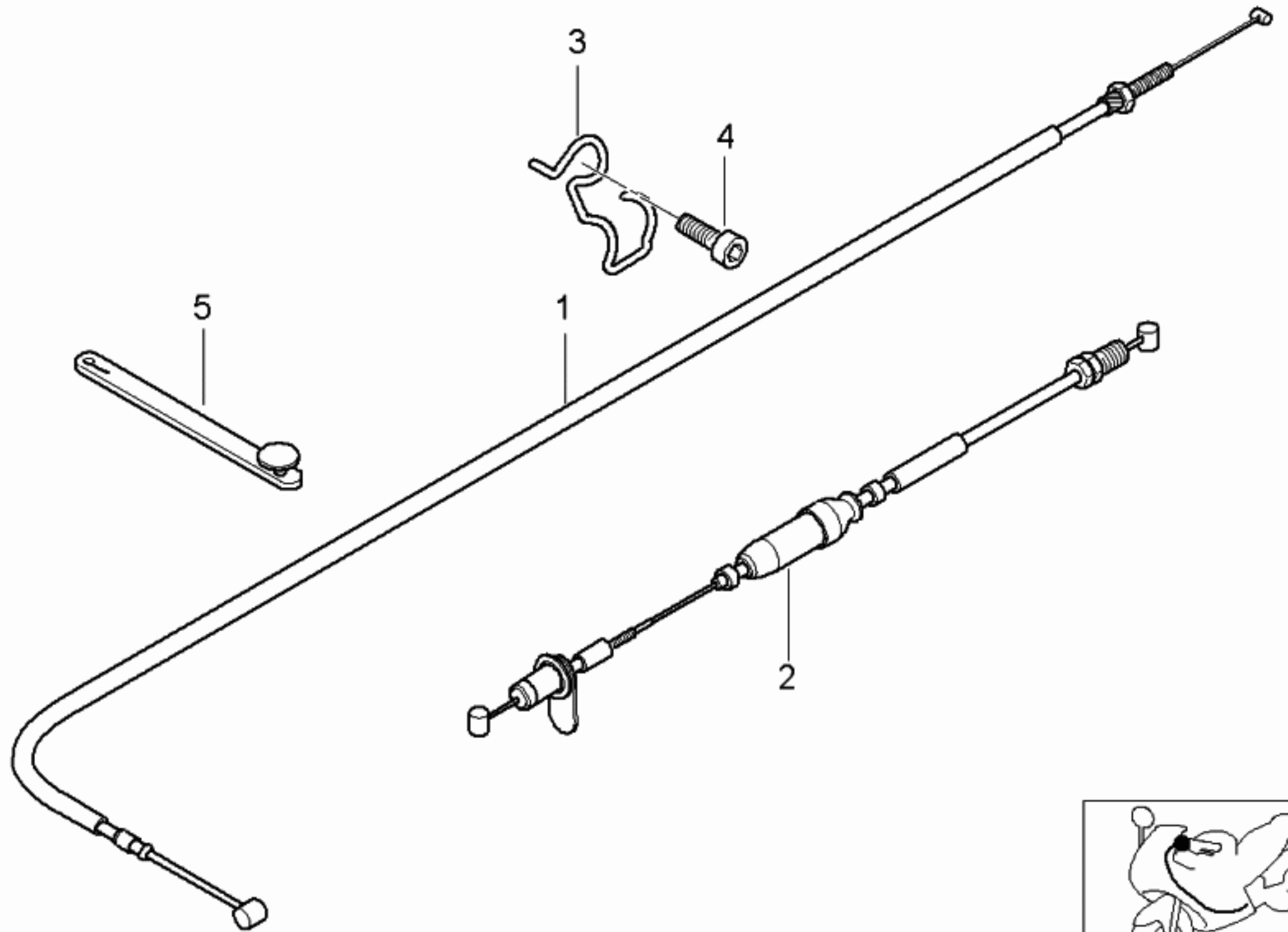
00125351

No	Part Number	Description	Qty 
01	31427703852	fork brace, complete, upper	1
02	07129904066	isa screw (M8X25)	2
03	31427692248	cap	1
04	07119985070	tapered roller bearing (28X52X16)	2
05	31421234509	ring	2
06	07129904066	isa screw (M8X25)	4
07	31427711469	lower fork cross brace	1
08	31427708326	wire-strap	1
09	31427666216	covering cap	1
10	31427658563	adjusting screw	1
11	31427658261	flat washer	1
12	31427668189	covering cap	1
12	51142328447	badge (D=27MM)	1
13	07129904704	isa screw (M8X40)	1




00170147

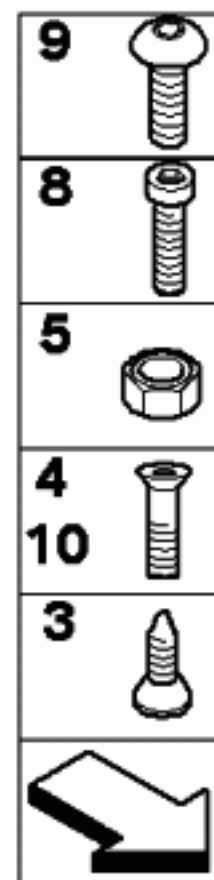
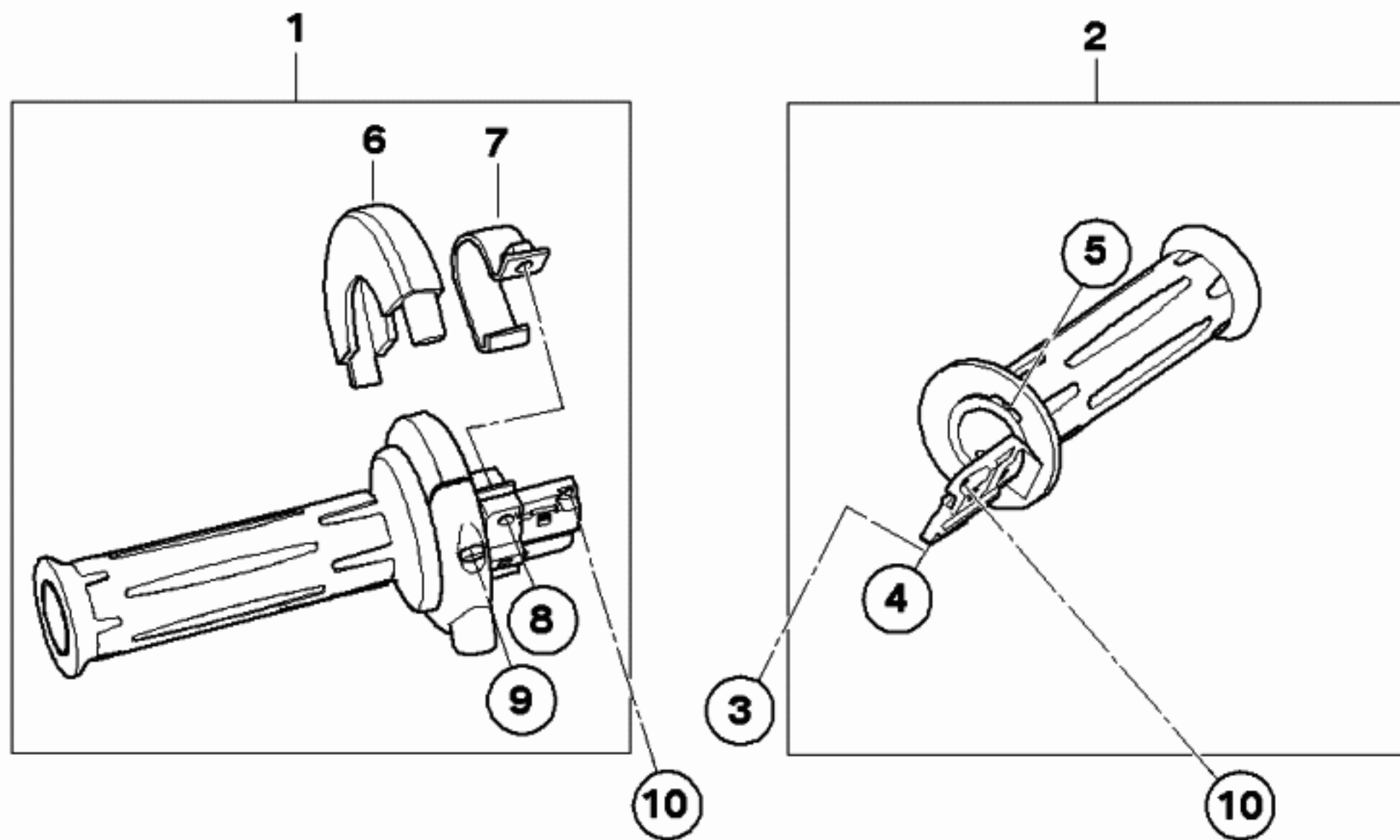
No	Part Number	Description	Qty 
01	32737716115	accelerator cable	1
02	32737700904	clutch cable	1
03	32737679354	guide strap	1
05	32737687119	tension strap (L=75MM)	1




00170367

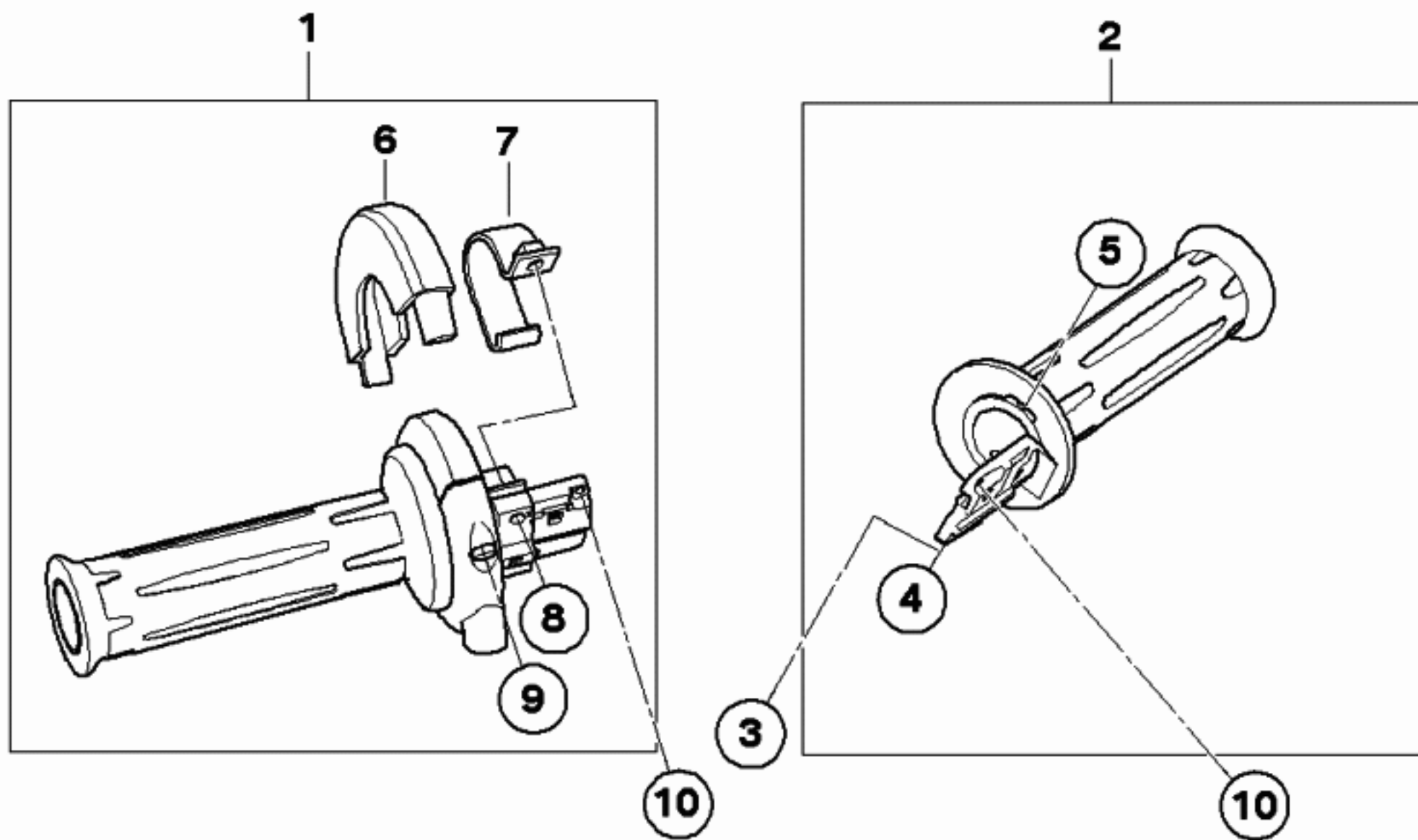


No	Part Number	Description	Qty 
01	61317675090	handle right	1
01	61317708288	handle right	1
02	61317714225	handle left	1
04	07119906567	csk.fillister head screw (M3,5X32)	1
05	07119906568	hex nut (M3,5-A2-70)	1
06	61317674606	cover	1
07	61317674609	pipe clamp	1
08	63217654464	fillister head screw (M5X20)	1
09	61317678741	oval head screw	1
10	61317682091	fillister head screw with collar (3X10)	2








00170352

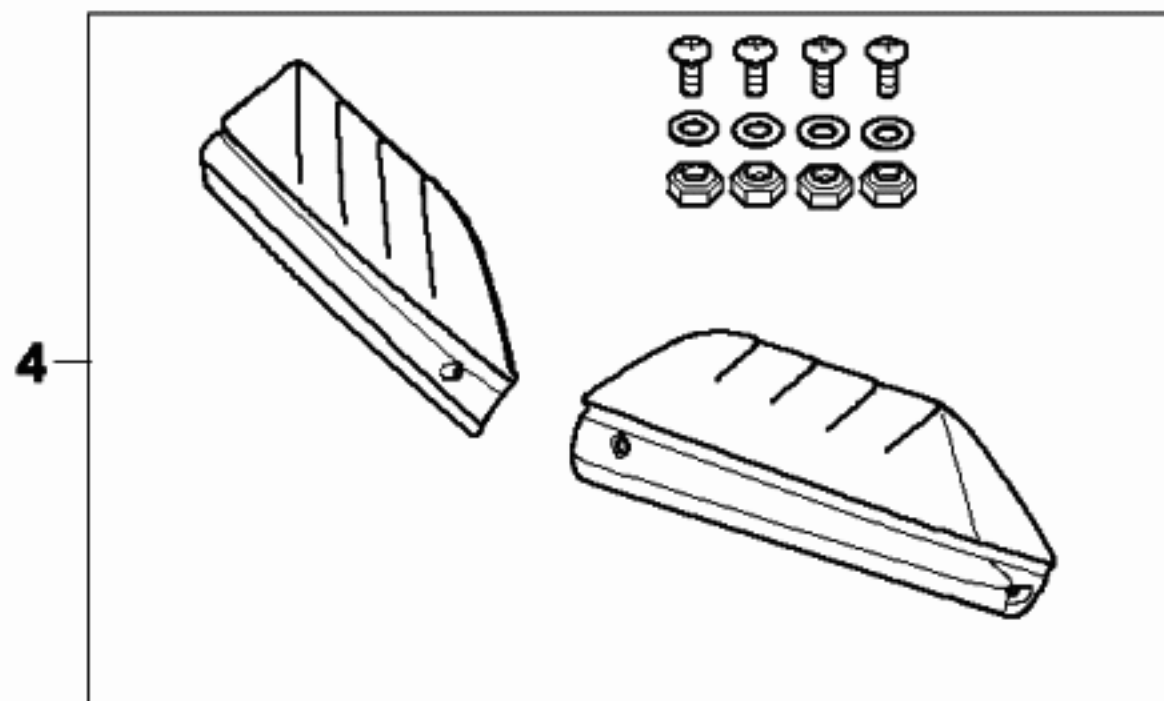
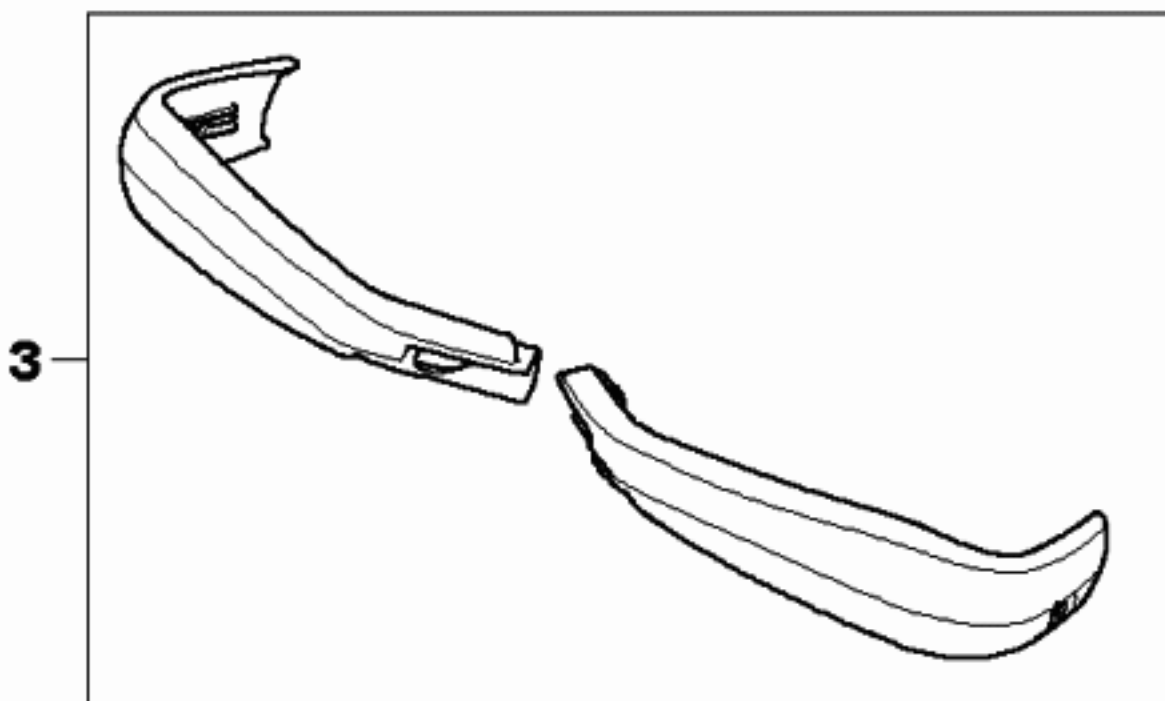
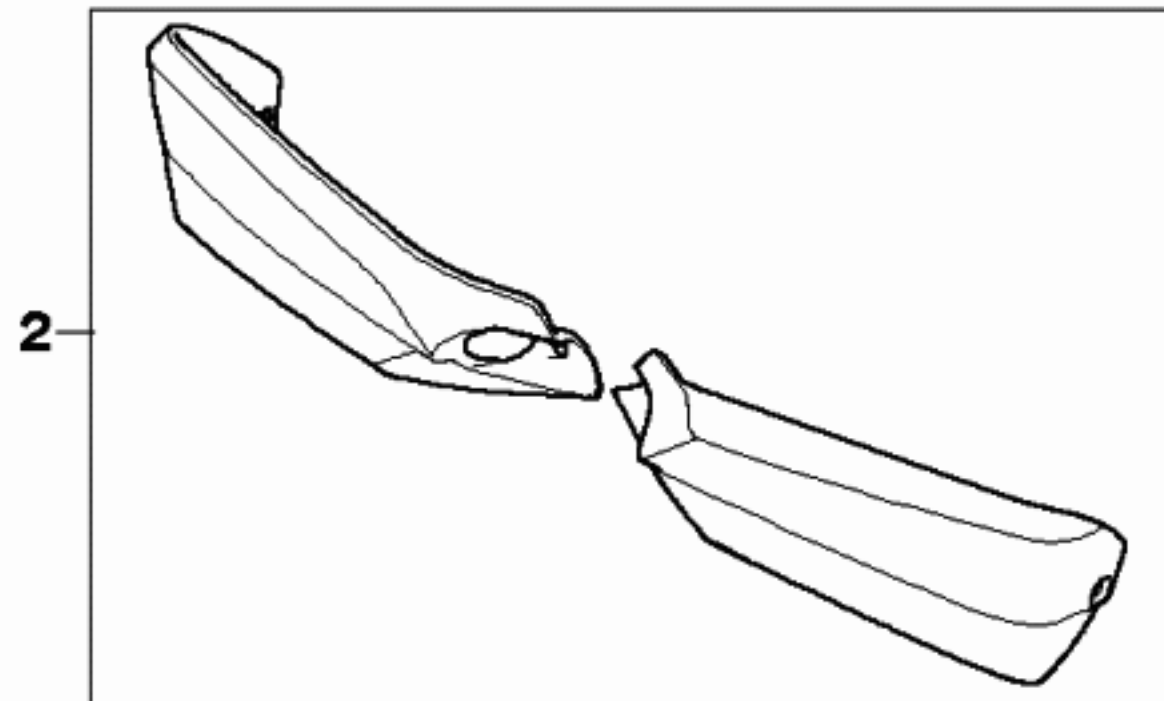
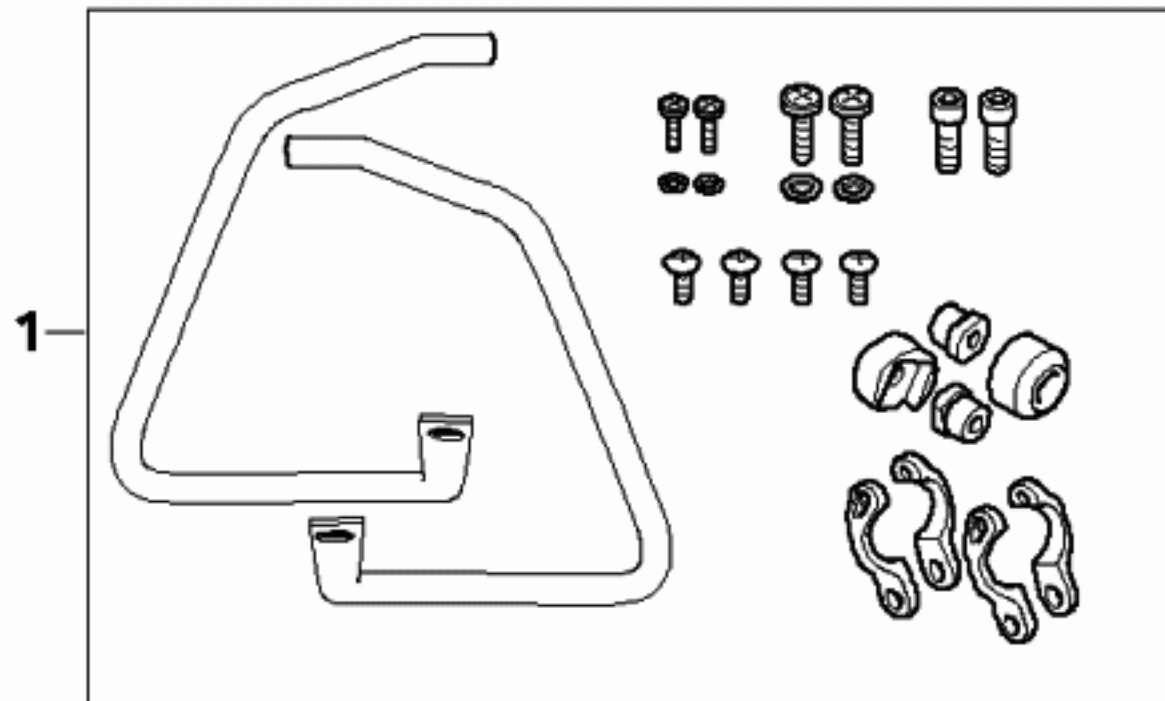
No	Part Number	Description	Qty 
01	61317708286	handle right	1
02	61317702381	handle left	1
04	07119906567	csk.fillister head screw (M3,5X32)	1
05	07119906568	hex nut (M3,5-A2-70)	1
06	61317674606	cover	1
07	61317674609	pipe clamp	1
08	63217654464	fillister head screw (M5X20)	1
09	61317678741	oval head screw	1
10	61317682091	fillister head screw with collar (3X10)	2
11	01297699819	install.instruct.,heated handlebar grips	1




**i** —11

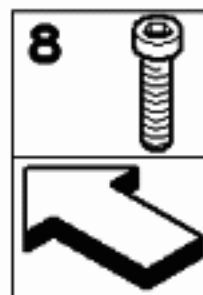
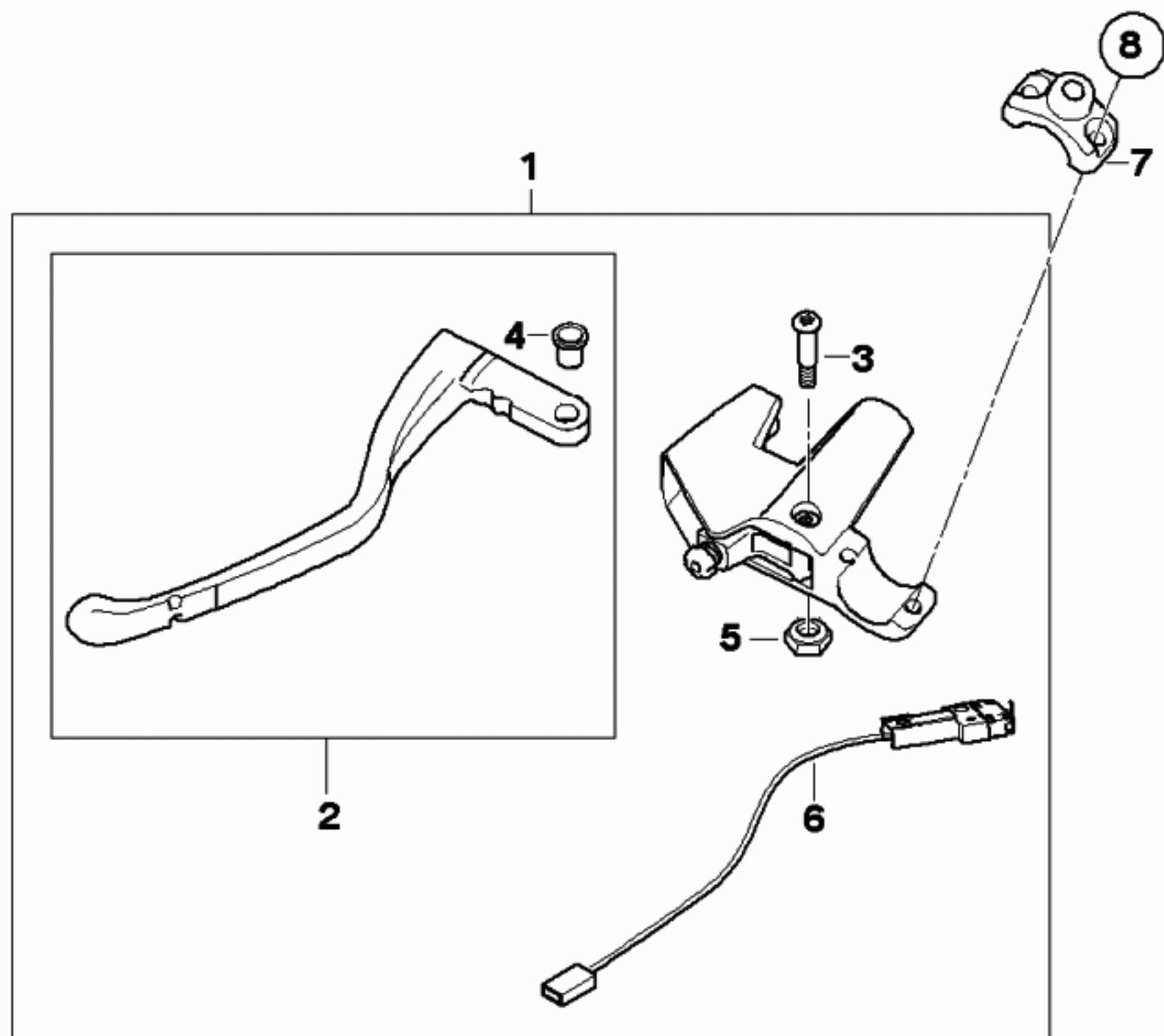
9	
8	
5	
4	
10	
3	

No	Part Number	Description	Qty 
--	32717712836	countersunk head screw (M12X65)	2
01	<a href="#">71607716043</a> 	set of hand guards	1
02	<a href="#">71607715135</a> 	set of hand guards, large	1
03	<a href="#">71607705963</a> 	set of hand protectors, small	1
04	<a href="#">71607705964</a> 	set of mount. hand guards, large	1



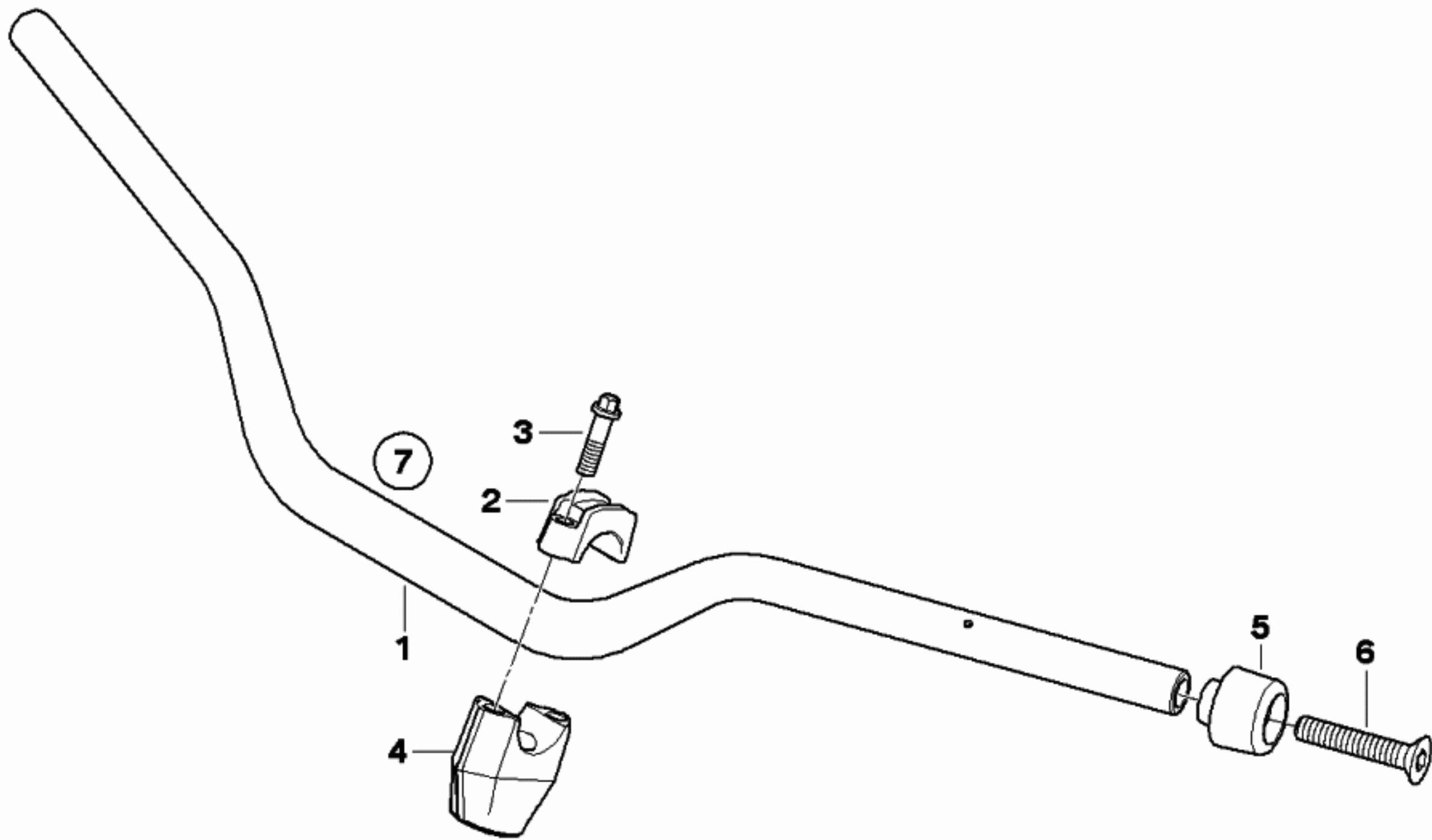
00166480

No	Part Number	Description	Qty 
01	21527681703	clutch handlebar fitting	1
02	32727705606	clutch lever	1
03	32727673989	countersunk head screw (M5X30)	1
04	32727673990	sleeve	1
05	07119903070	hex nut (M5-A2-70)	1
06	61317671111	microswitch	1
07	32727673917	clamp	1
08	07129904792	isa screw (M5X20)	2



00169920

No	Part Number	Description	Qty 
01	32717711766	handlebar, tubular (B=759MM)	1
02	31427701262	clamping support (D=22,2)	2
03	07129906204	asa-bolt (M8X30)	4
05	32717712796	handlebar vibration absorber	2
06	32717717803	countersunk head screw (M12X65)	2



7

3

2

1

4

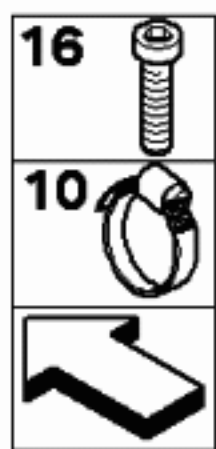
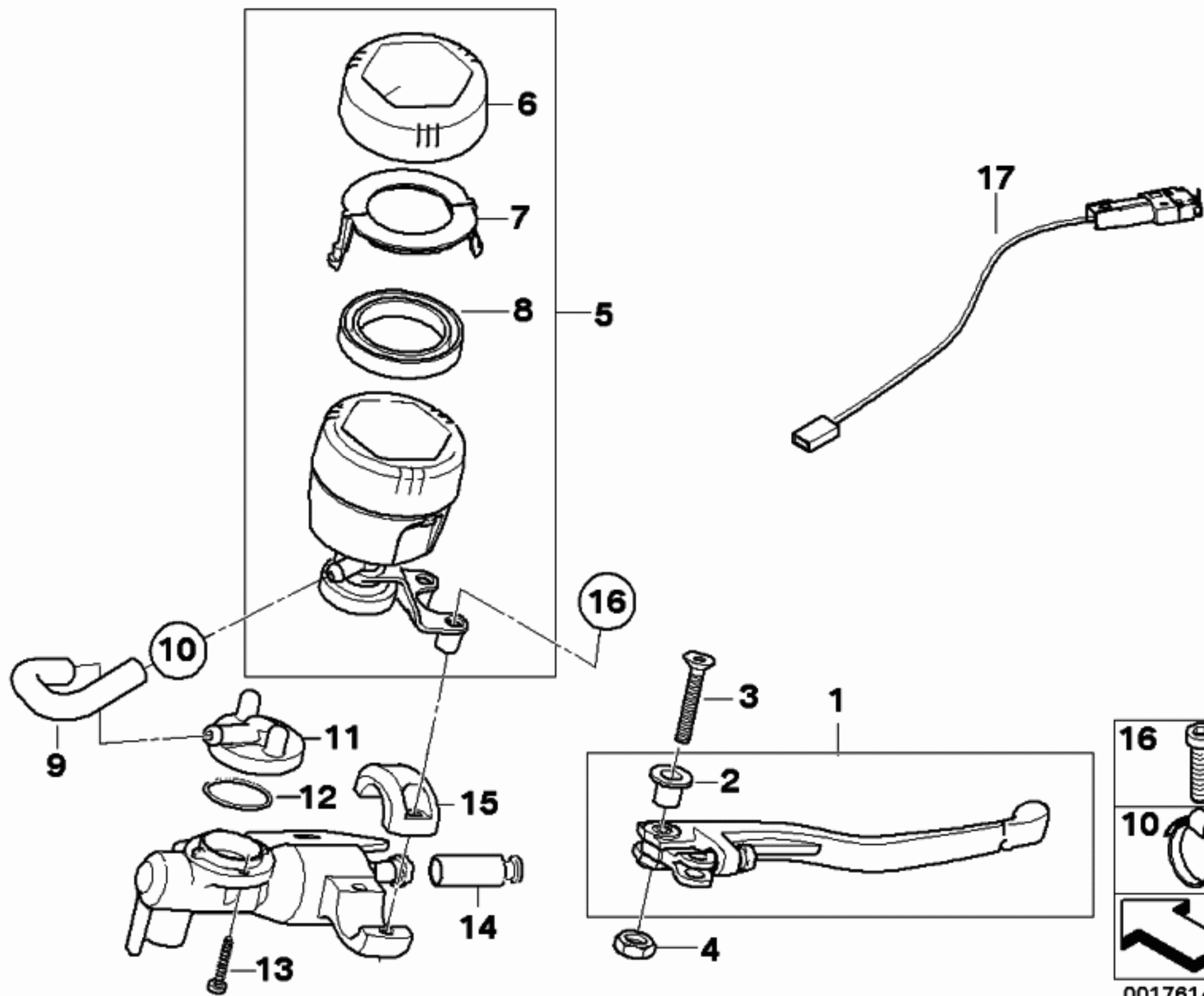
5

6




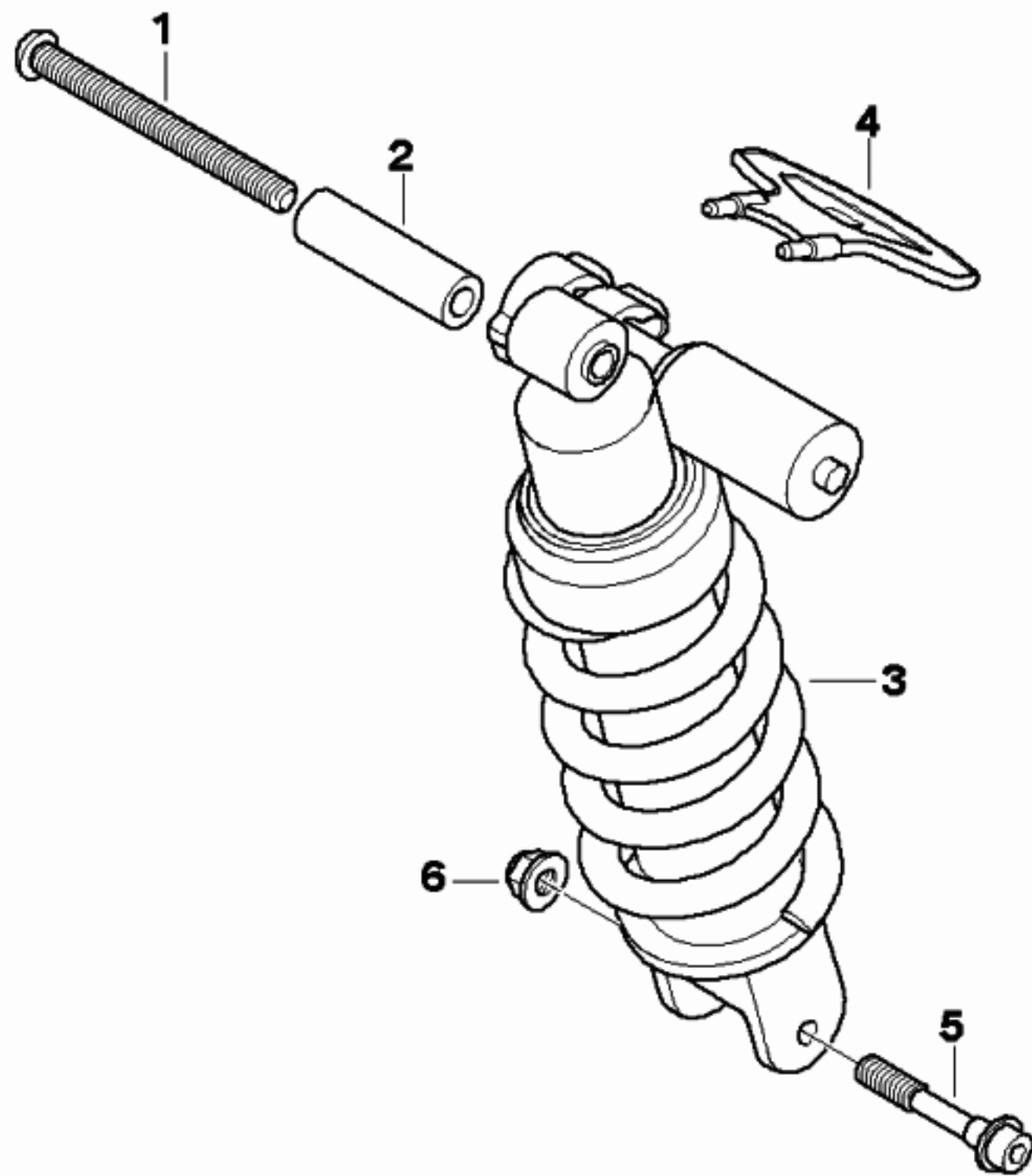
00173886

No	Part Number	Description	Qty 
--	32727673996	adjusting screw	1
--	32727675747	securing bolt	1
01	32727691942	handbrake lever	1
02	32727673990	sleeve	1
03	32727673989	countersunk head screw (M5X30)	1
04	07119904028	hex nut (M5)	1
06	32727673998	cover	1
07	32727674000	circlip	1
08	32727673999	rubber boot	1
09	32727704761	hose	1
10	32727702049	hose clamp	2
11	32727704760	connector	1
12	32727675117	o-ring	1
13	32727675118	plastic bolt	2
14	32727673919	dust protection collar	1
15	32727673917	clamp	1
16	32727705874	isa screw (M5X35 A4-70)	2
17	61317671111	microswitch	1



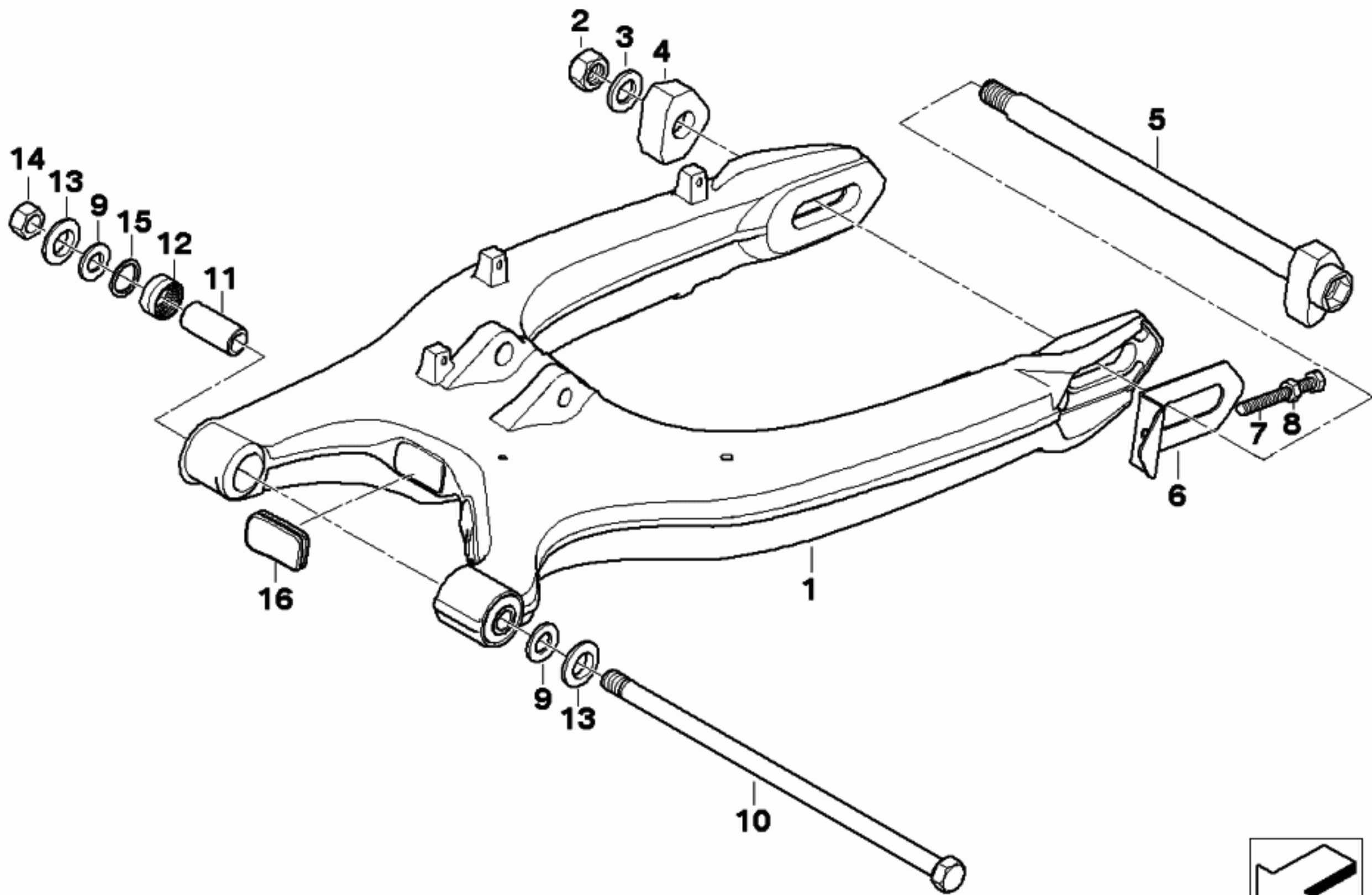
00176146

No	Part Number	Description	Qty 
01	07129906442	isa screw (M12X120-10.9)	1
02	33537709923	bush	1
02	33537713130	sleeve	1
03	33537698358	spring strut, rear	1
03	33537709132	strut, low, rear	1
04	33537686445	hand lever	1
05	33537709575	isa screw (M12X1,5X60 D19)	1




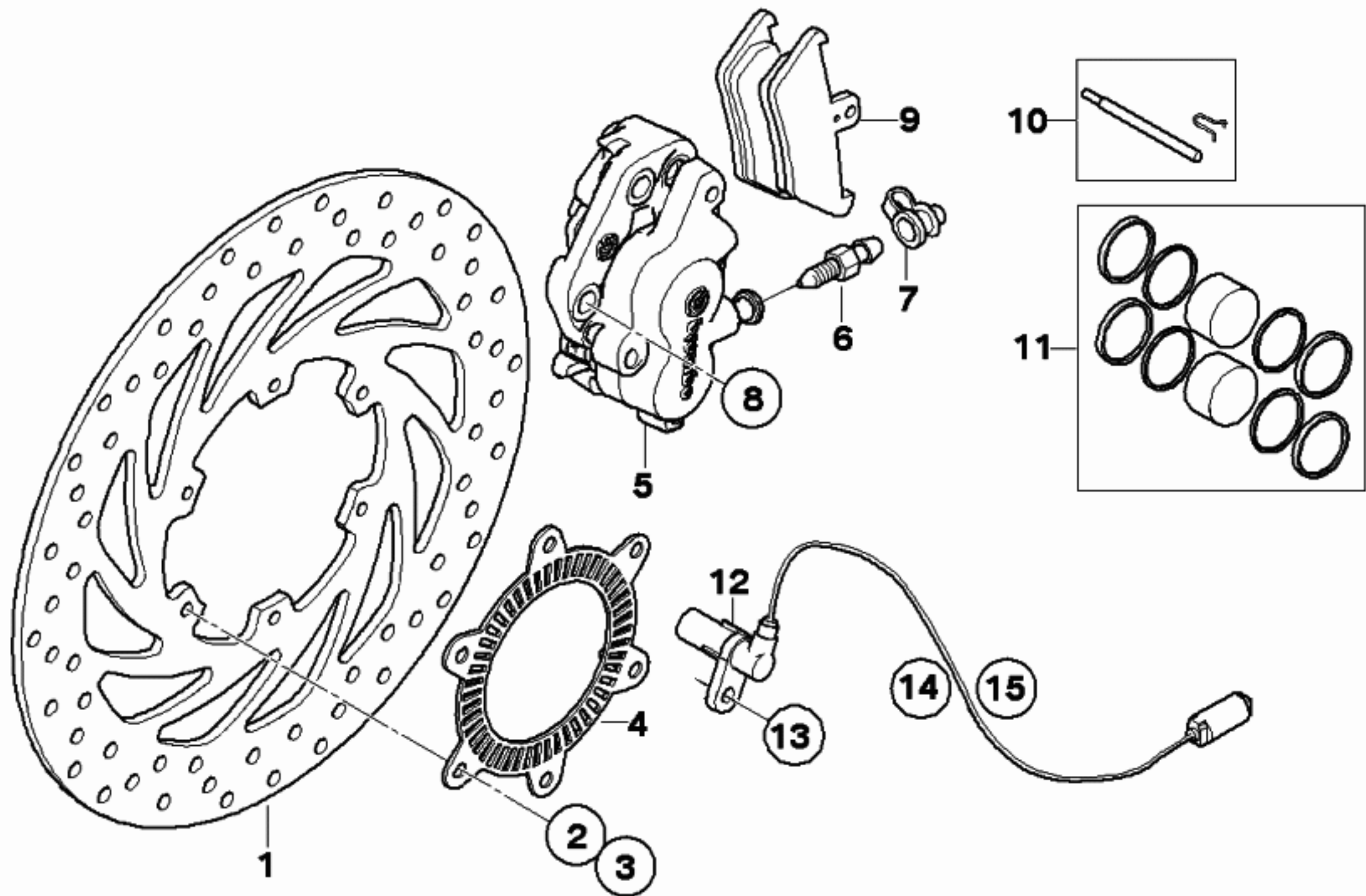
00154731

No	Part Number	Description	Qty 
01	33177708021	rear wheel fork	1
02	36317704461	hex nut (M16)	1
03	07119906046	washer (16-200)	1
04	36317698731	chain tensioner	1
05	36317718602	axle shaft rear	1
06	33177699749	shield	2
07	07119906001	hex bolt (M8X70-8.8-ZNS3)	2
08	07119904032	hex nut (M8-8-ZNS3)	2
09	07119900530	flat washer (A15)	4
09	07119905829	flat washer (A15 ZNS3)	4
10	33177695830	swinging fork pivot	1
11	33177695543	bush bearing	2
12	33537650093	needle sleeve (22X28X16)	4
13	33177659190	stop disk	2
14	07129906047	self-locking hex nut (M14X1,5-8-ZNS3)	1
15	33177650203	gasket ring	2
16	33177686884	covering cap	2





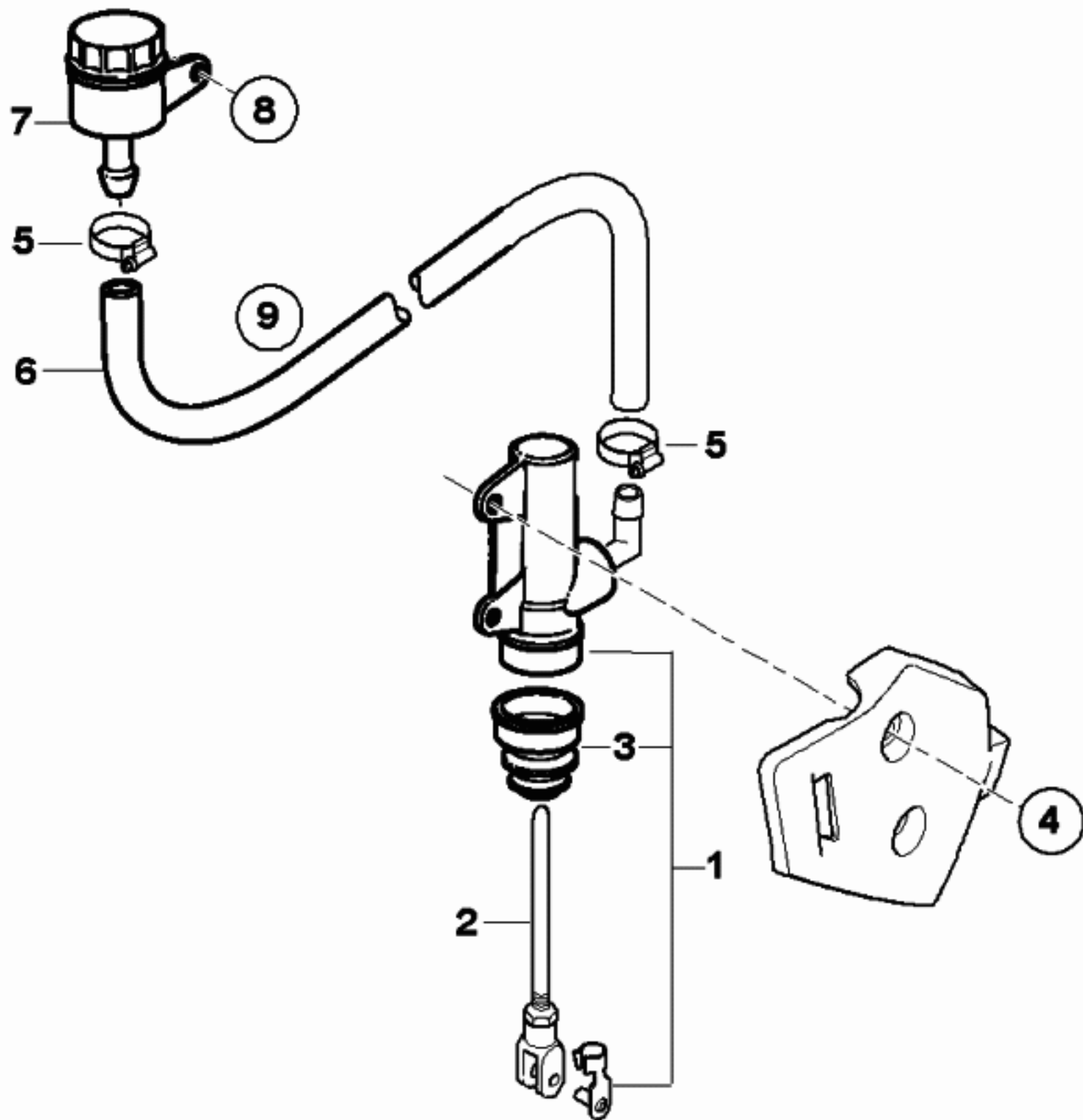
00169880

No	Part Number	Description	Qty 
01	34112345824	front brake disc (D=300MM)	1
02	34117661879	anti-squeak rotor	6
03	34117709137	fillister head screw (M6X18-8.8 ZNS3)	1
04	34512345822	sensor ring abs, front	1
05	34117712296	caliper with out brake pads right	1
06	<a href="#">34212330310</a> 	vent screw (M10)	1
07	34211236794	dust cap	1
08	07129903799	torx screw (M10X40)	2
08	46517655585	isa screw (M10X35)	2
09	34117705216	brake pads kit, front	1
10	34117651954	mounting parts set	1
11	34117651956	set of gaskets	1
12	34527687528	rotational-speed sensor	1
13	07129904588	isa screw (M6X16)	1
14	07147566122	clip retainer	1
15	34527705925	bracket	1



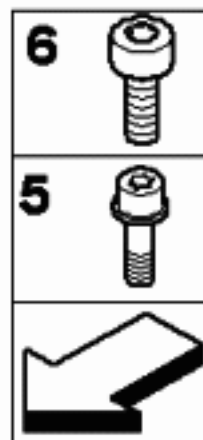
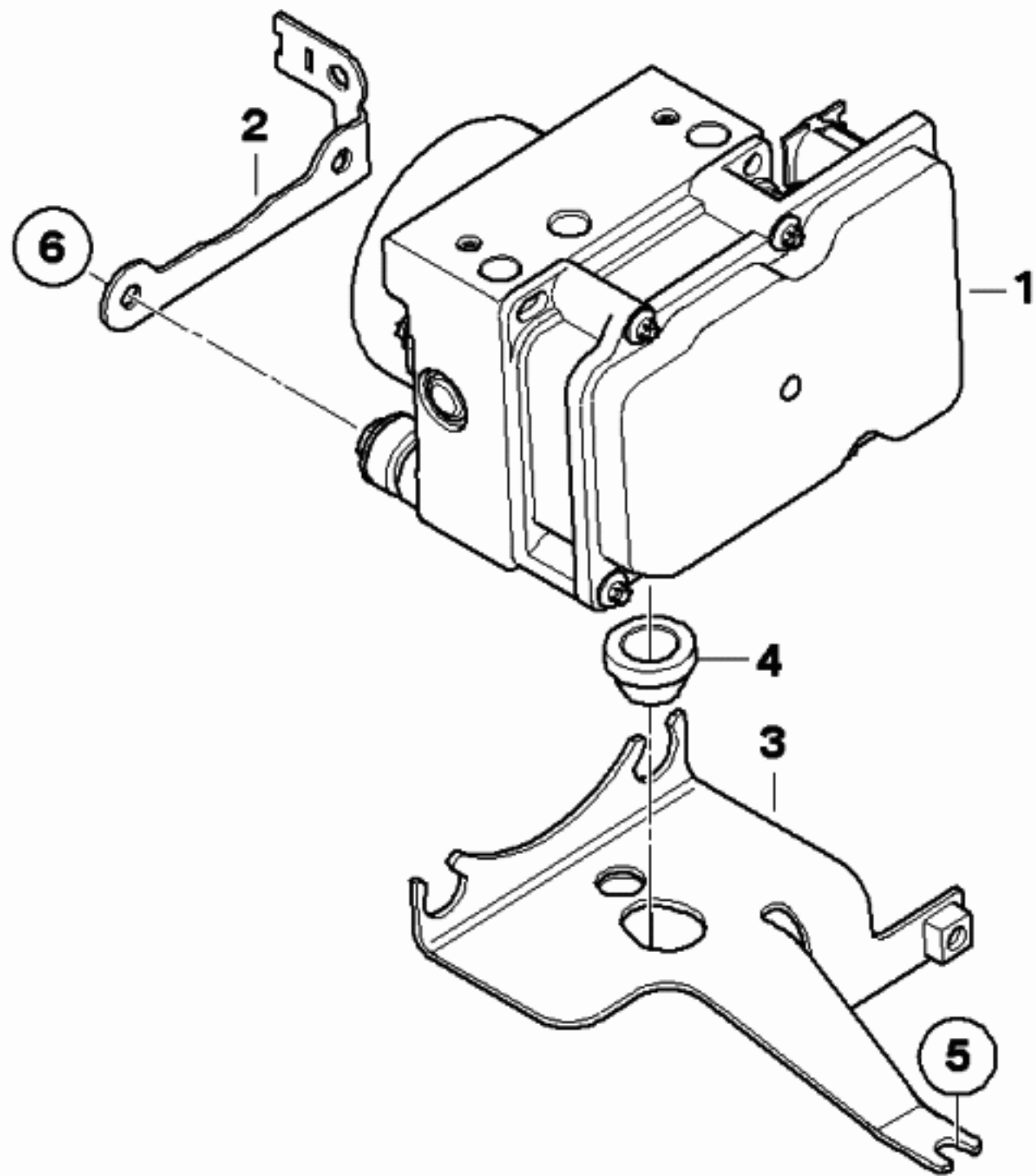
- |    |  |
|----|--|
| 15 |  |
| 14 |  |
| 13 |  |
| 8  |  |
| 3  |  |
| 2  |  |
|    |  |

No	Part Number	Description	Qty 
01	34217692190	rear brake master cylinder (D=13MM)	1
01	34217666157	rear brake master cylinder (D=13MM)	1
02	34312332007	rod	1
03	34312314289	rubber boot	1
04	46717675692	isa screw (M6X25 MK)	2
05	<a href="#">17111460922</a> 	hose clamp (D=12,3MM)	2
06	34317684309	hose (L=360MM)	1
07	34217686685	expansion tank	1
08	46637659459	fillister head screw (M6X16)	1
09	22116758925	cable clamp	2
10	46637687966	cover for brake cylinder	1




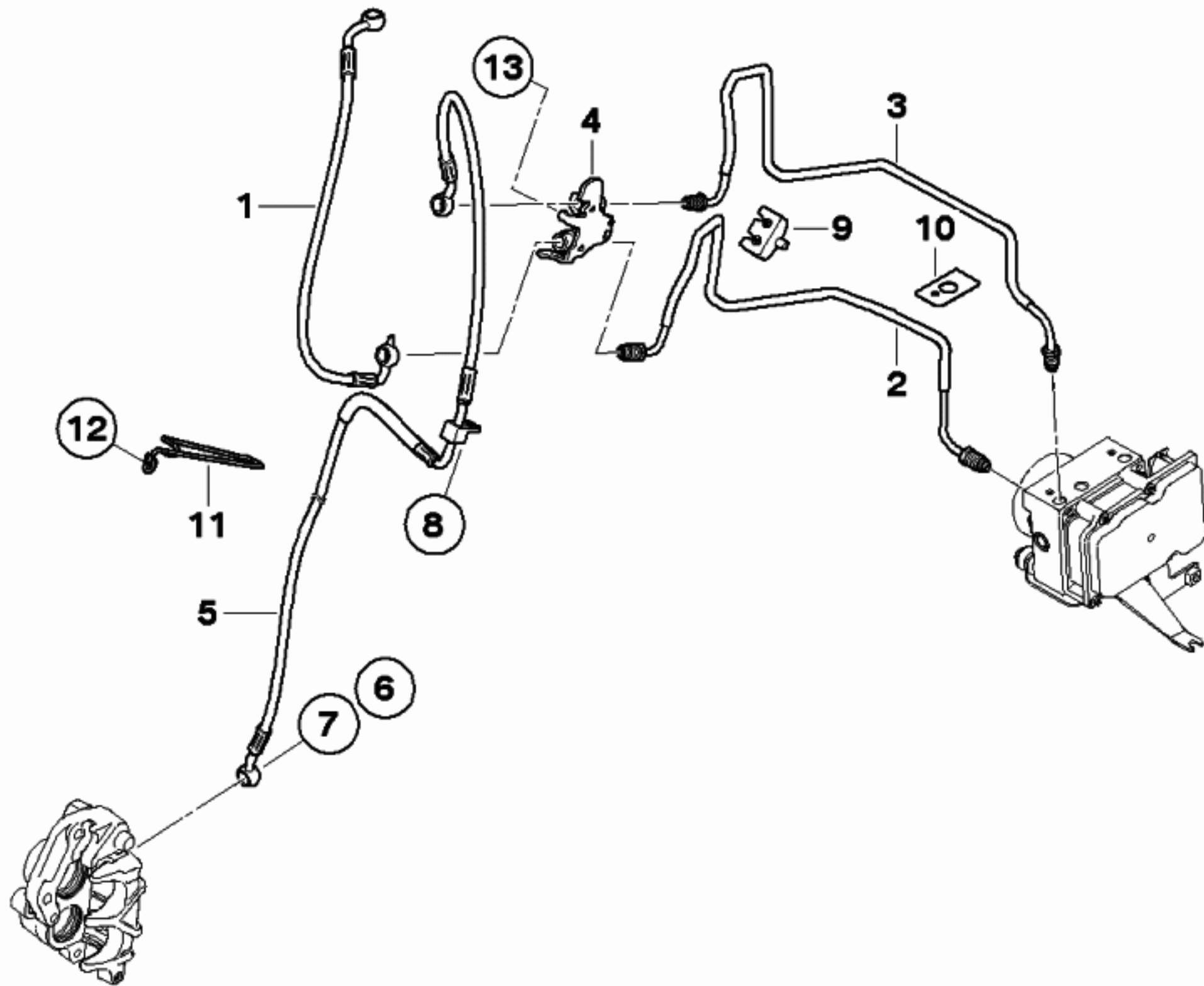
00169967

No	Part Number	Description	Qty 
01	34517710736	pressure modulator	1
02	34517692706	bracket (ABS)	1
03	34517698166	bracket, pressure modulator	1
04	34517691928	damper rubber	1
05	07129905261	torx-countersunk head screw (M6X16 MK ZNS3)	2
06	46547699779	fillister head screw (M6X40)	1



00169784

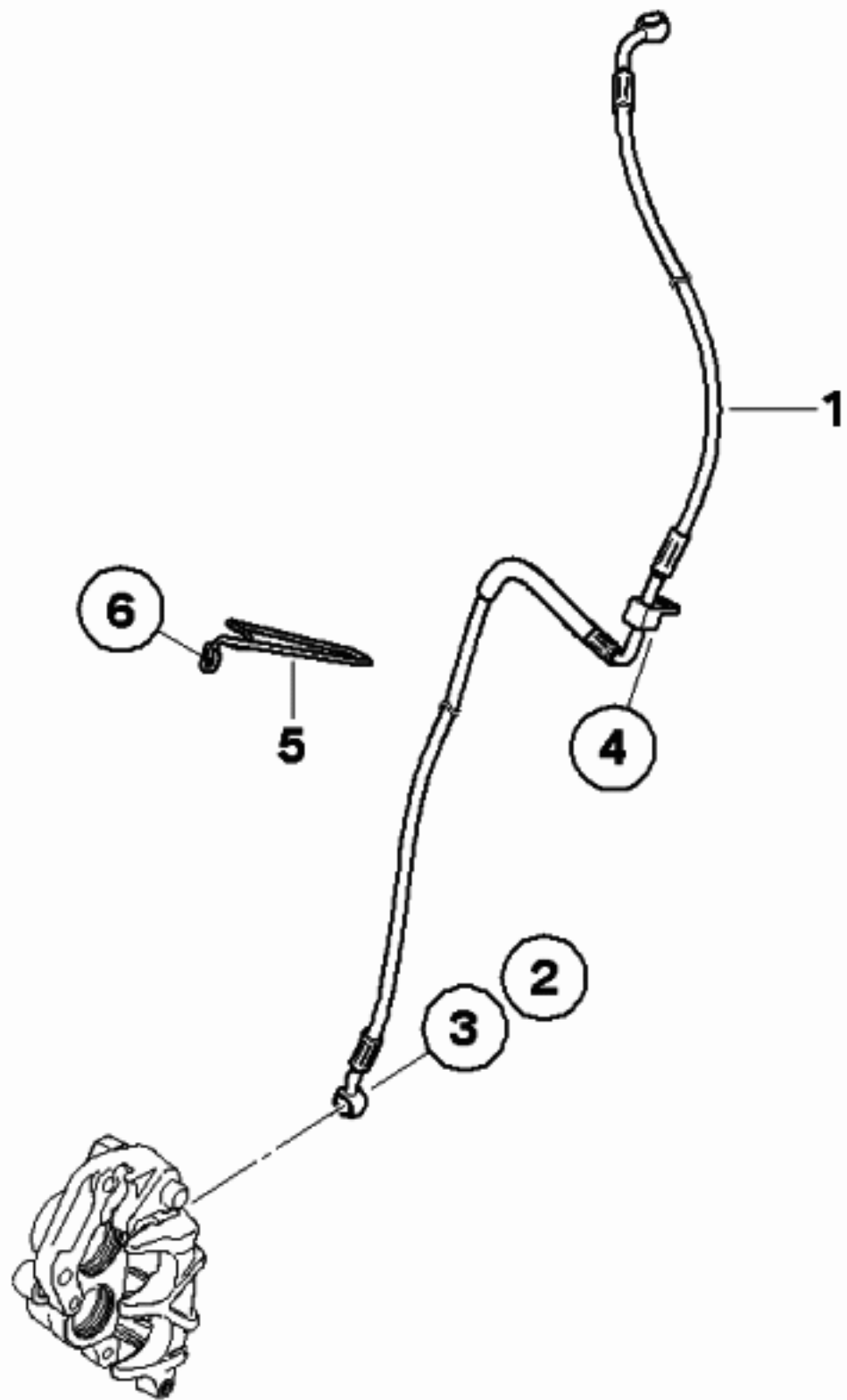
No	Part Number	Description	Qty 
01	34327700780	brake-line control circuit, front	1
02	34327707263	brake pipe control circuit, front	1
03	34327707264	brake circuit pipe, front	1
04	34327700788	distribution piece	1
05	34327700786	brake circuit hose, front	1
06	34327667316	hollow bolt (M10X1)	1
07	07119963072	gasket ring (A10X13,5-CU)	1
08	07129904588	isa screw (M6X16)	1
09	34327661760	bracket	1
10	46542315901	foil	1
11	34327706082	brake pipe bracket	1
12	34317680001	countersunk screw (M6X25)	1
13	07129903805	isa screw (M6X12)	1




12	
13	
8	
7	
6	

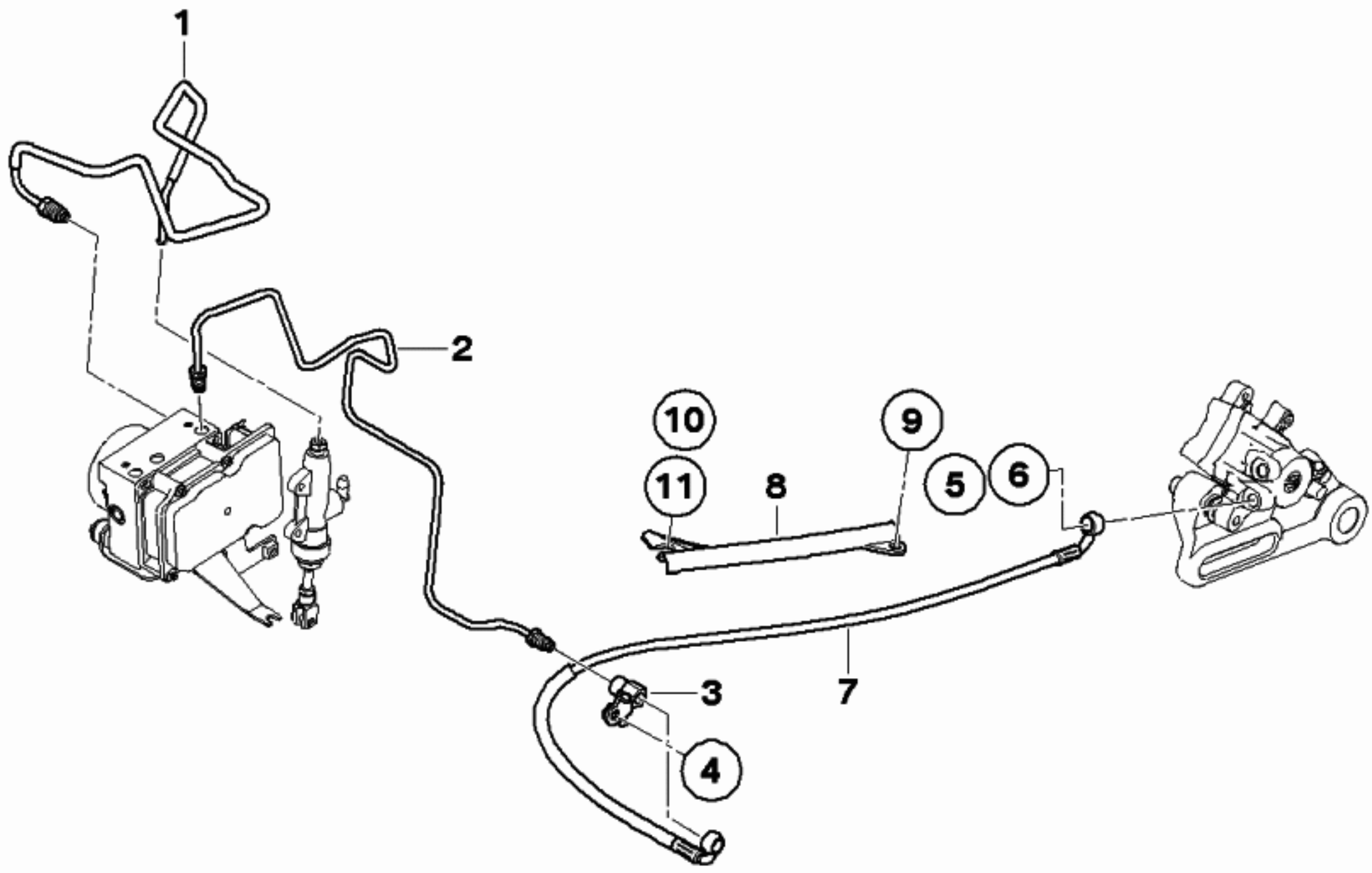
00169804








No	Part Number	Description	Qty 
01	34327700783	brake hose front	1
02	34327667316	hollow bolt (M10X1)	2
03	07119963072	gasket ring (A10X13,5-CU)	4
04	07129904588	isa screw (M6X16)	1
05	34327706082	brake pipe bracket	1
06	34317680001	countersunk screw (M6X25)	1




00169823

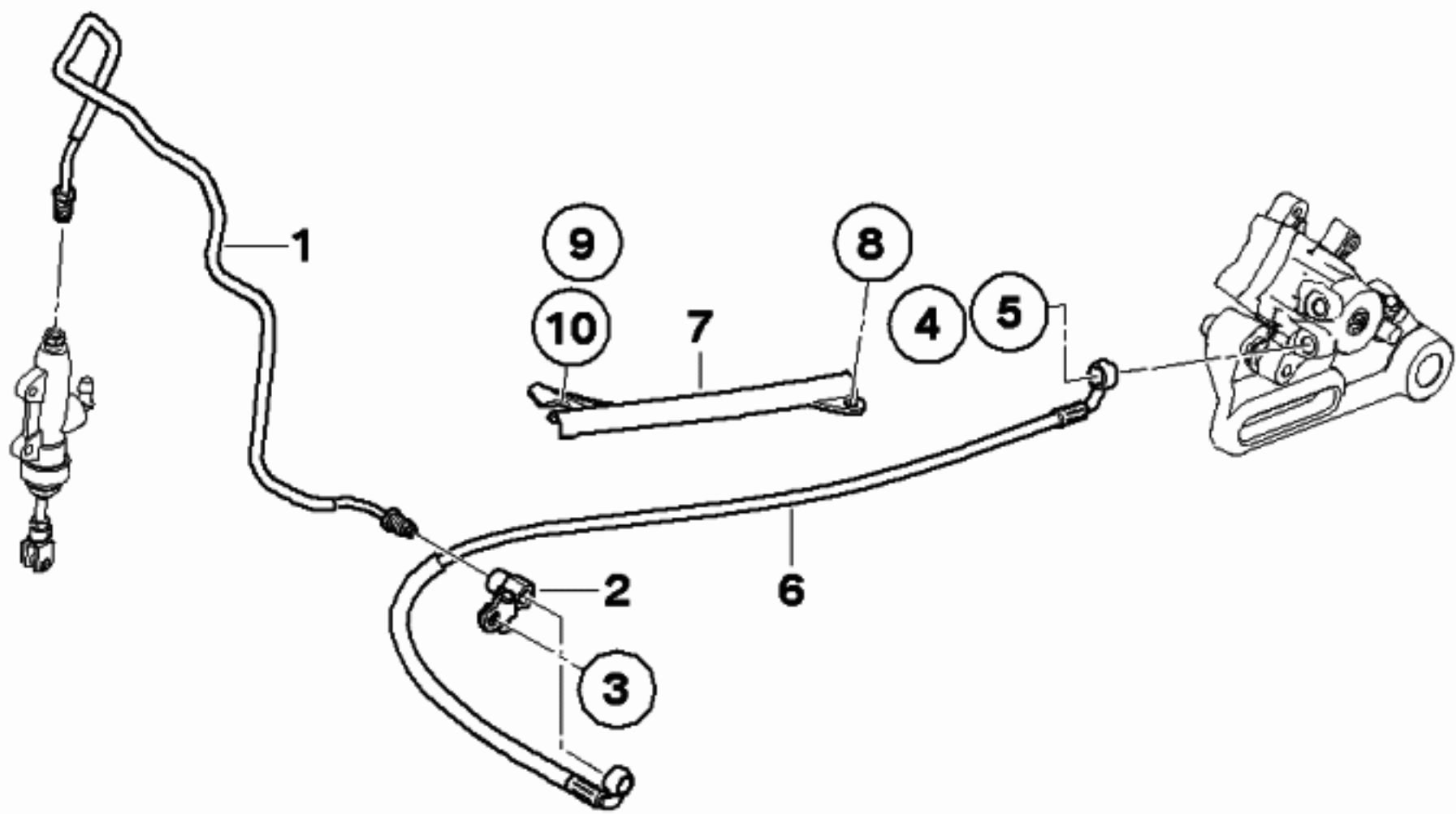
No	Part Number	Description	Qty 
01	34327707265	brake pipe control circuit, rear	1
02	34327707266	brake circuit pipe, rear	1
03	34327700789	distribution piece	1
04	52537652690	torx-countersunk head screw (6X30)	1
05	34327667316	hollow bolt (M10X1)	2
06	07119963072	gasket ring (A10X13,5-CU)	1
07	34327700785	brake circuit hose, rear	1
08	34327704456	brake hose guide	1
09	07146957269	oval-head screw with anti-rotation lock (M6X14)	2
10	07146957269	oval-head screw with anti-rotation lock (M6X14)	1
11	34327704656	spacer bush	1



11	
10	
9	
6	
5	
4	
	



00169848

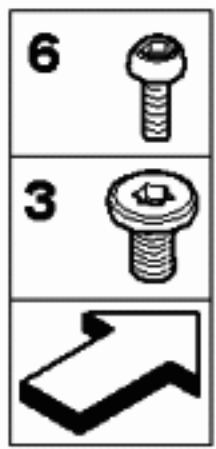
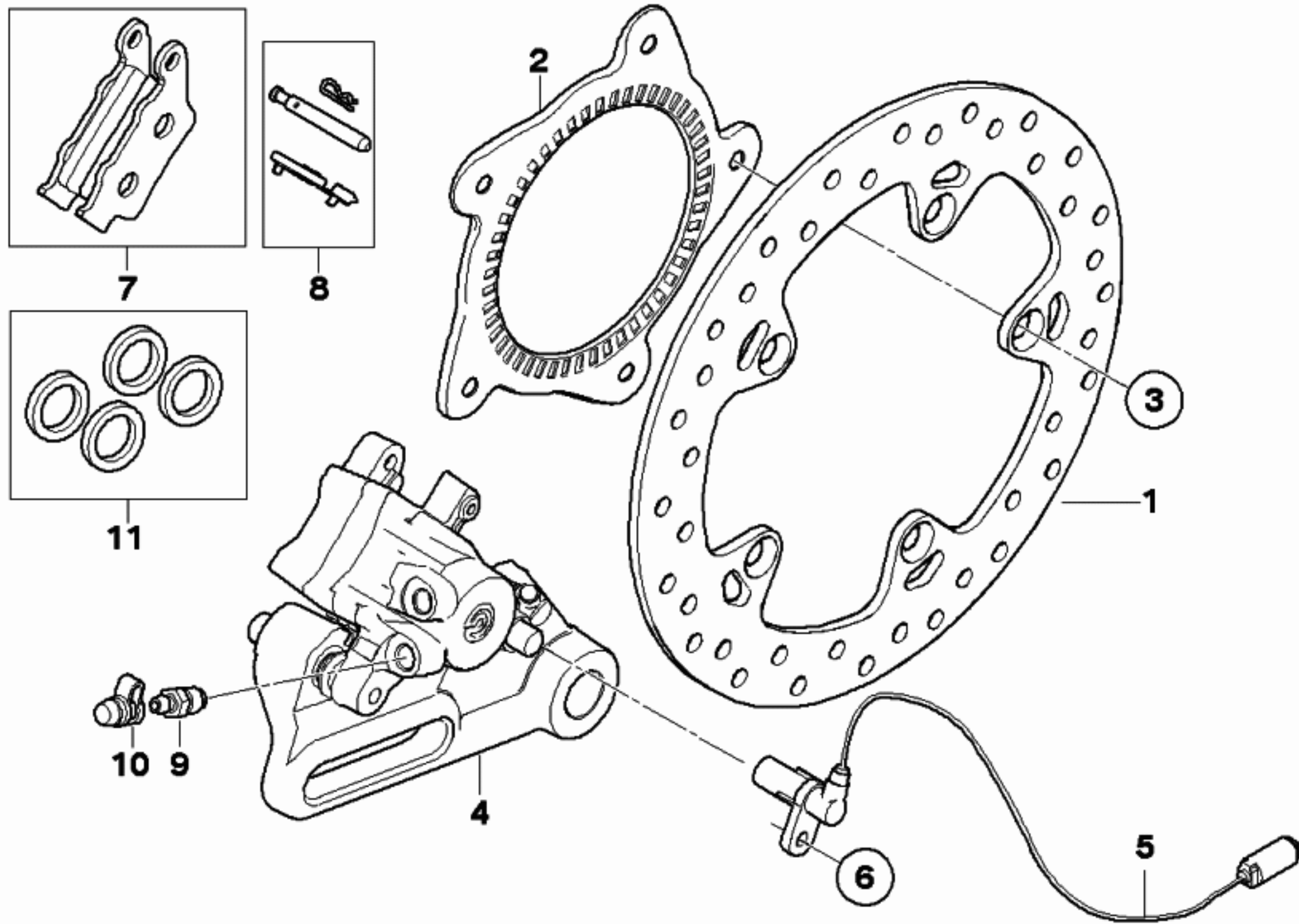
No	Part Number	Description	Qty 
01	34327707267	brake pipe rear	1
02	34327700789	distribution piece	1
03	52537652690	torx-countersunk head screw (6X30)	1
04	34327667316	hollow bolt (M10X1)	2
05	07119963072	gasket ring (A10X13,5-CU)	4
06	34327700785	brake circuit hose, rear	1
07	34327704456	brake hose guide	1
08	07146957269	oval-head screw with anti-rotation lock (M6X14)	2
09	07146957269	oval-head screw with anti-rotation lock (M6X14)	1
10	34327704656	spacer bush	1



- |    |  |
|----|--|
| 10 |  |
| 9  |  |
| 8  |  |
| 5  |  |
| 4  |  |
| 3  |  |
|    |  |

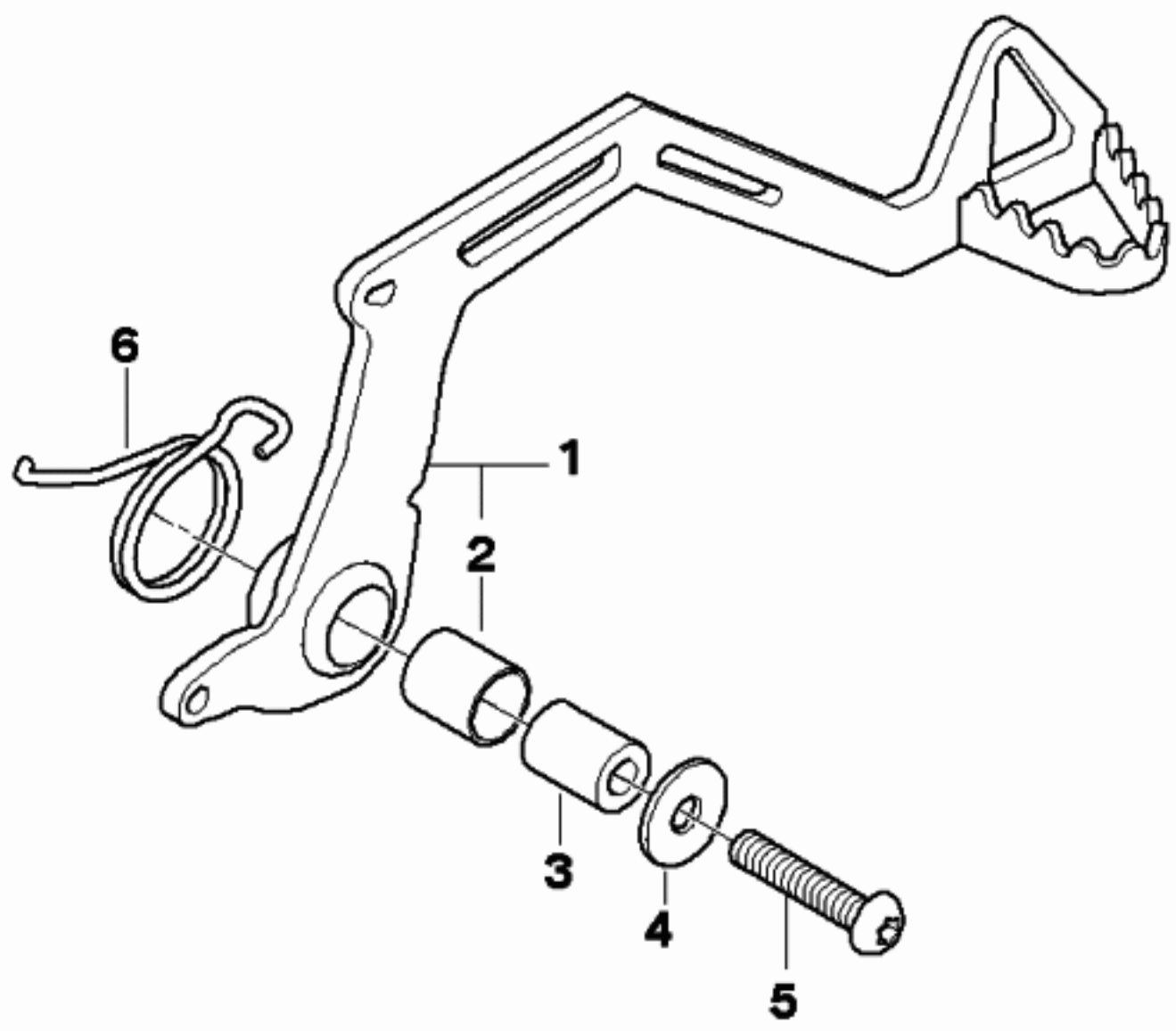
00169877

No	Part Number	Description	Qty 
01	34217664102	rear brake disc	1
02	34527685866	sensor ring, rear	1
03	33177709205	screw (M8X18,5 ZNS3)	5
04	34217717627	brake caliper without pads, rear	1
05	34527687528	rotational-speed sensor	1
06	07129904588	isa screw (M6X16)	1
07	34217664983	repair kit, brake pads	1
08	34217666422	mounting parts set	1
09	<a href="#">34212330310</a> 	vent screw (M10)	1
10	34211236794	dust cap	1
11	34217651957	seal kit, brake caliper, rear	1




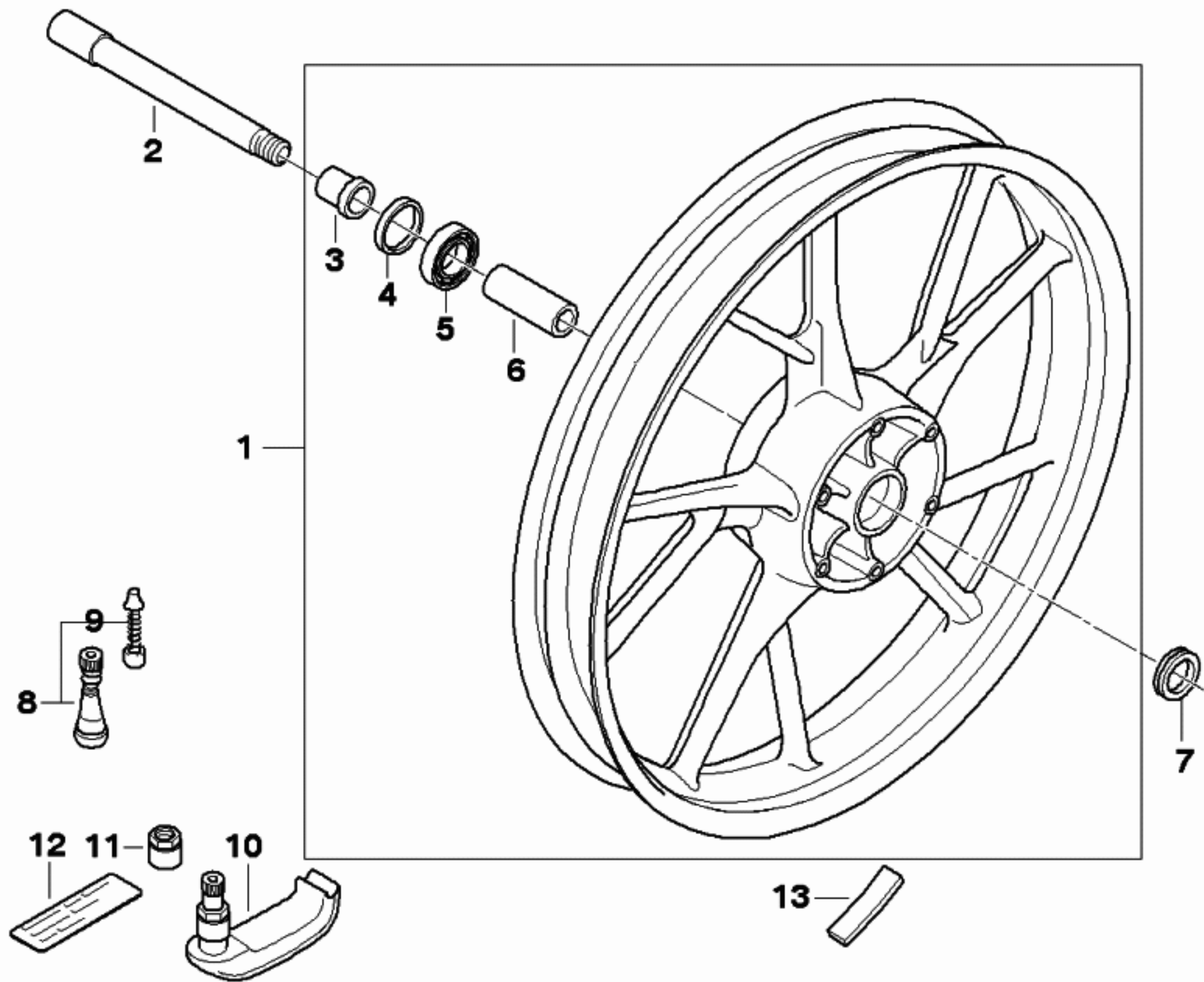
00169879

No	Part Number	Description	Qty 
01	35217708022	brake pedal	1
02	35211450231	bush bearing	1
03	35212338162	bush	1
04	07119904164	washer (8,4X24X2-ZNS3)	1
05	34117672808	oval head screw (ISA M8X35 MK)	1
06	35217705366	retainer spring	1



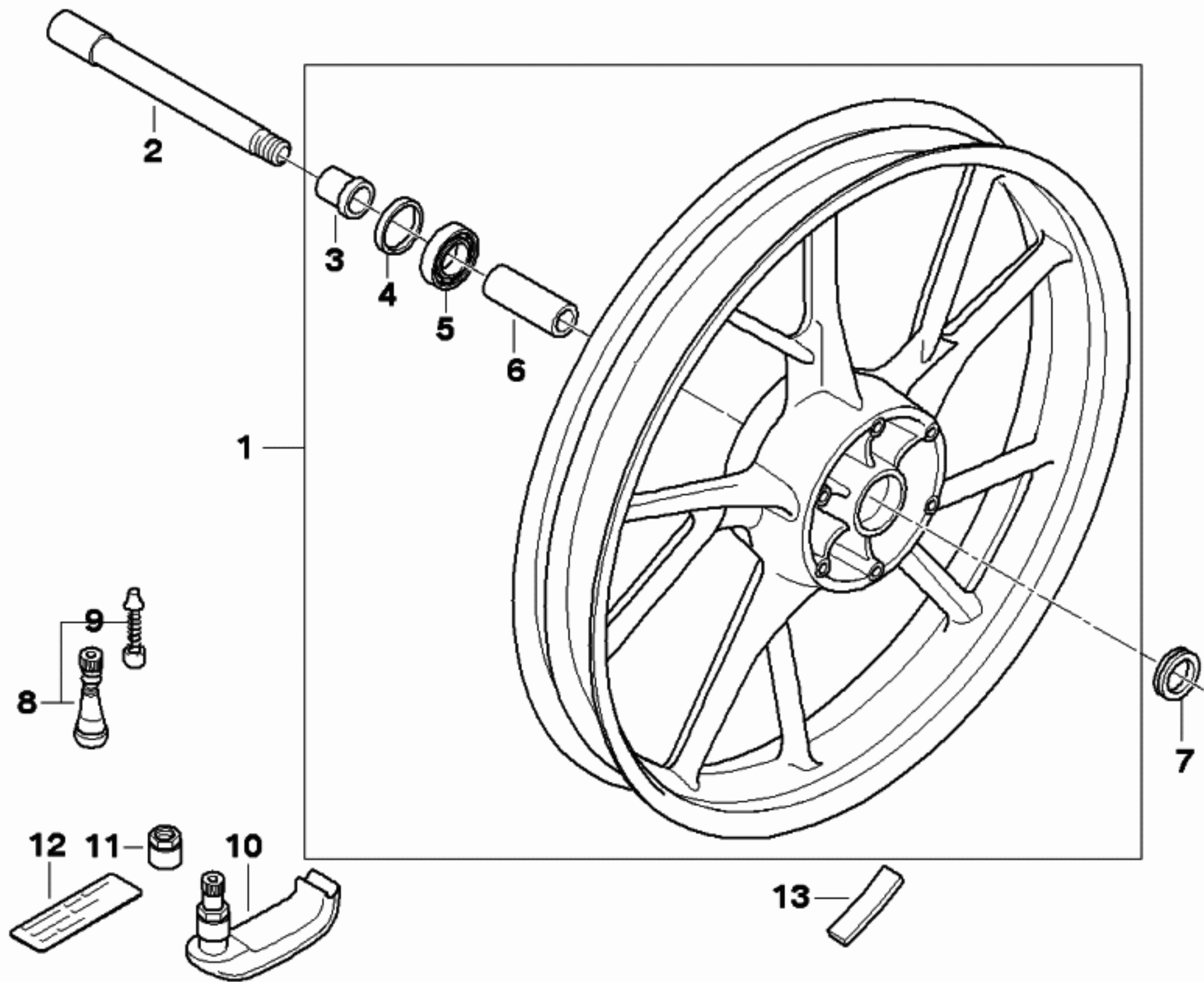
00169922

No	Part Number	Description	Qty 
01	36317705525	front wheel (2,5X19)	1
02	36317650586	axle shaft front	1
03	36317661196	spacer bushing, exterior	1
04	07119902384	shaft seal (AS25X40X7)	1
05	31422314724	grooved ball bearing (17X40X12)	2
06	36312345821	spacer shims, inner	2
07	36312345823	spacer bush	1
08	36317653064	valve (D=15MM)	1
09	36317683236	valve	1
10	36237694420	sensor with valve (RDC)	1
11	36217694440	cap nut (RDC)	1
12	71217698971	label (RDC)	1
13	36311451958	balance weight (5G)	1
13	36311451959	balance weight (10G)	1
13	36311451960	balance weight (20G)	1
13	36311451961	balance weight (30 G)	1
13	36311454310	balance weight (15 G)	1
13	36311454311	balance weight (25 G)	1





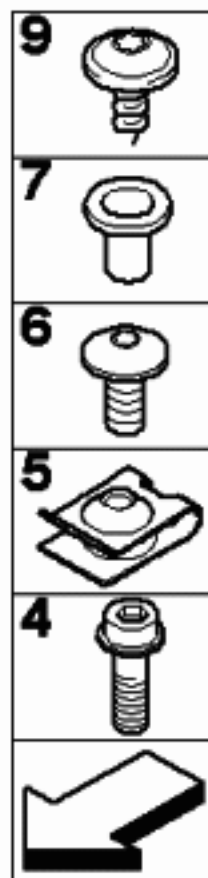
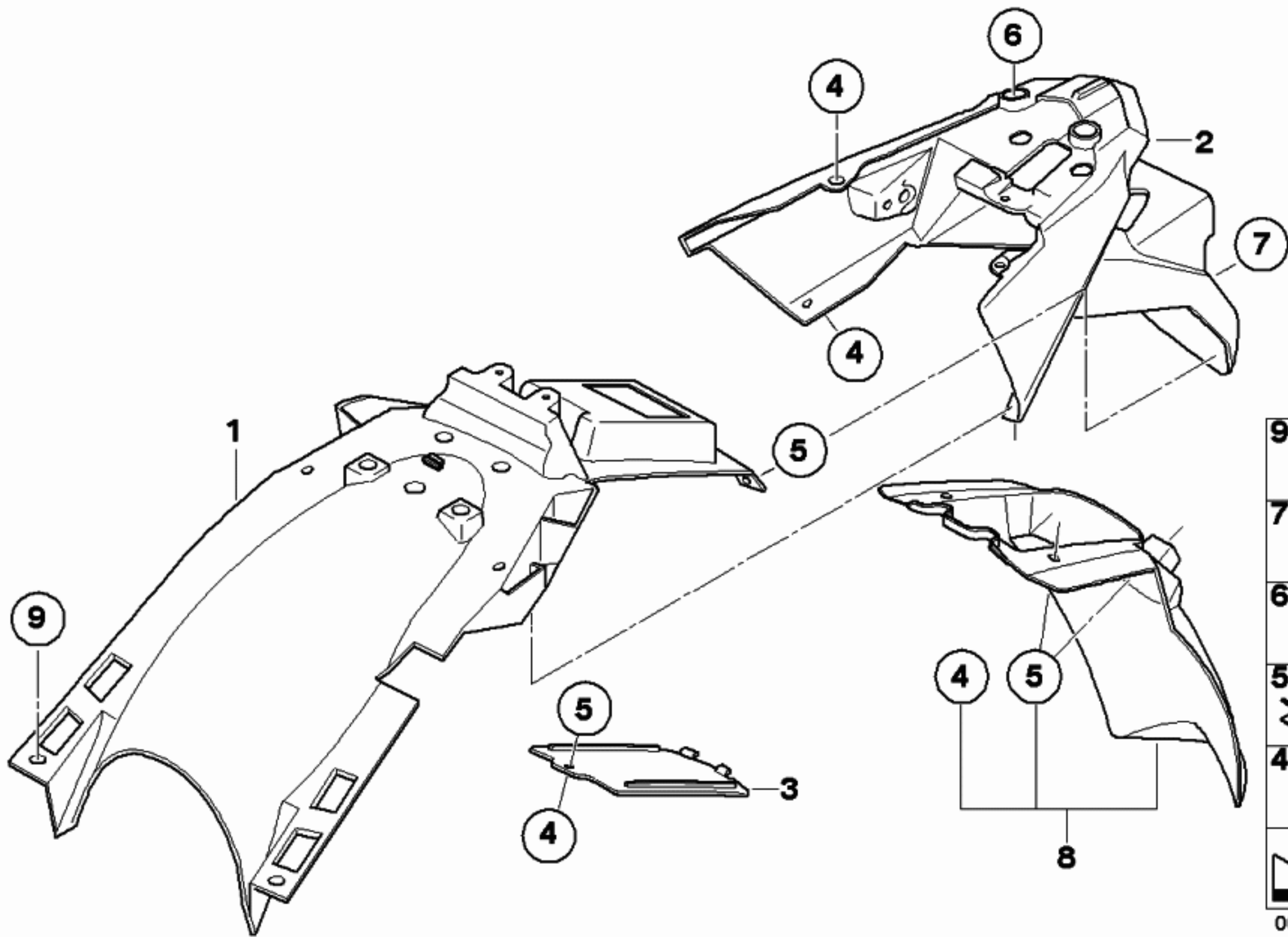
00169945

No	Part Number	Description	Qty 
01	36317705793	rear wheel (3,5X17)	1
02	36317718602	axle shaft rear	1
03	36317653136	spacer sleeve, exterior	1
04	07119906005	shaft seal (AS30X47X7)	1
05	07119934719	lock ring (47X1,75)	1
06	07119903603	grooved ball bearing (20X47X14)	2
07	36317705918	protection tube	1
08	36317695888	spacer sleeve, interior	1
09	36317653064	valve (D=15MM)	1
10	36317683236	valve	1
11	36237694420	sensor with valve (RDC)	1
12	36217694440	cap nut (RDC)	1
13	71217698971	label (RDC)	1
14	07119906046	washer (16-200)	1
15	36317704461	hex nut (M16)	1
16	33117679356	sprocket hub	1
17	33117701224	absorber	4
18	27727679373	sprocket (Z=41)	1
19	07119905977	hex nut (M8)	6
20	07119906181	hex bolt (M8X25-8.8-ZNNIV)	6
21	07119906005	shaft seal (AS30X47X7)	1
22	07119981221	grooved ball bearing (6204-2RS)	1
23	33117679359	bush	1
24	07119934719	lock ring (47X1,75)	1
25	33117679358	spacer bush	1
26	36311451958	balance weight (5G)	1
26	36311451959	balance weight (10G)	1
26	36311451960	balance weight (20G)	1
26	36311451961	balance weight (30 G)	1
26	36311454310	balance weight (15 G)	1
26	36311454311	balance weight (25 G)	1



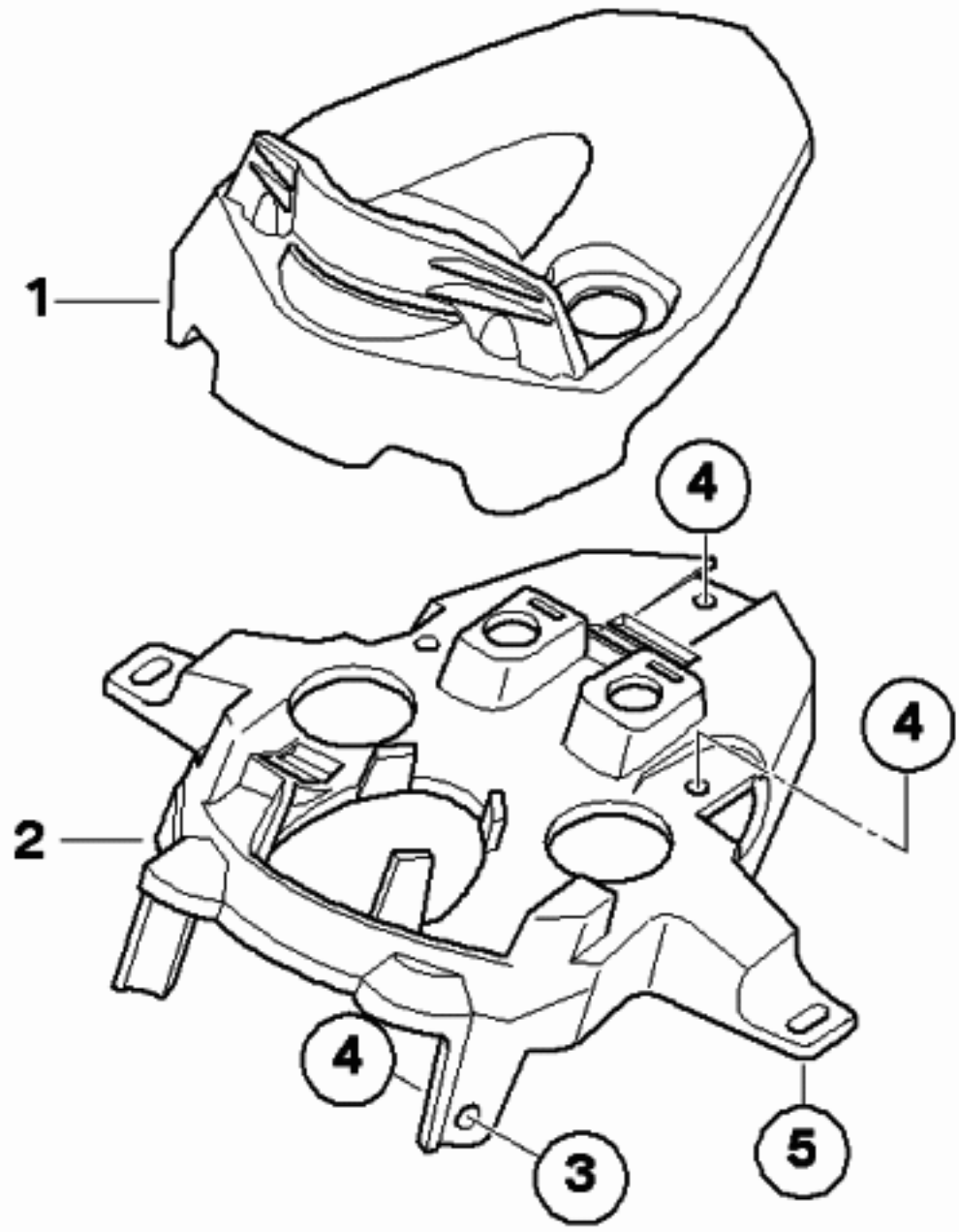
00169945

No	Part Number	Description	Qty 
01	46637695017	rear wheel cover	1
02	46627695030	license plate holder	1
03	46627702457	cover, rear	1
04	06327651212	fillister head screw (M5X16 SI)	8
05	46637694548	self-locking plug nut (M5)	8
06	07129905589	isa screw (M8X16-U1-8.8)	2
07	46632347012	plug-in nut (M5)	3
08	<a href="#">71607695031</a> 	set of splash guard extensions	1
09	07119905016	countersunk screw (M5X10)	4




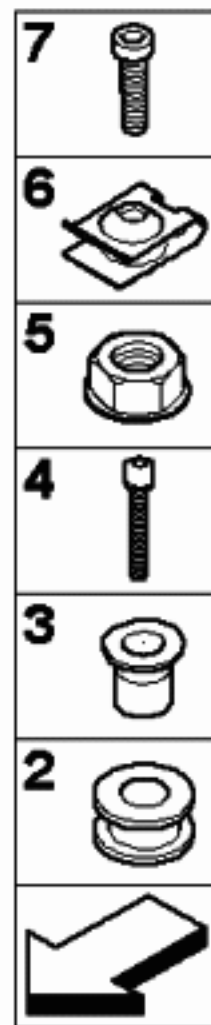
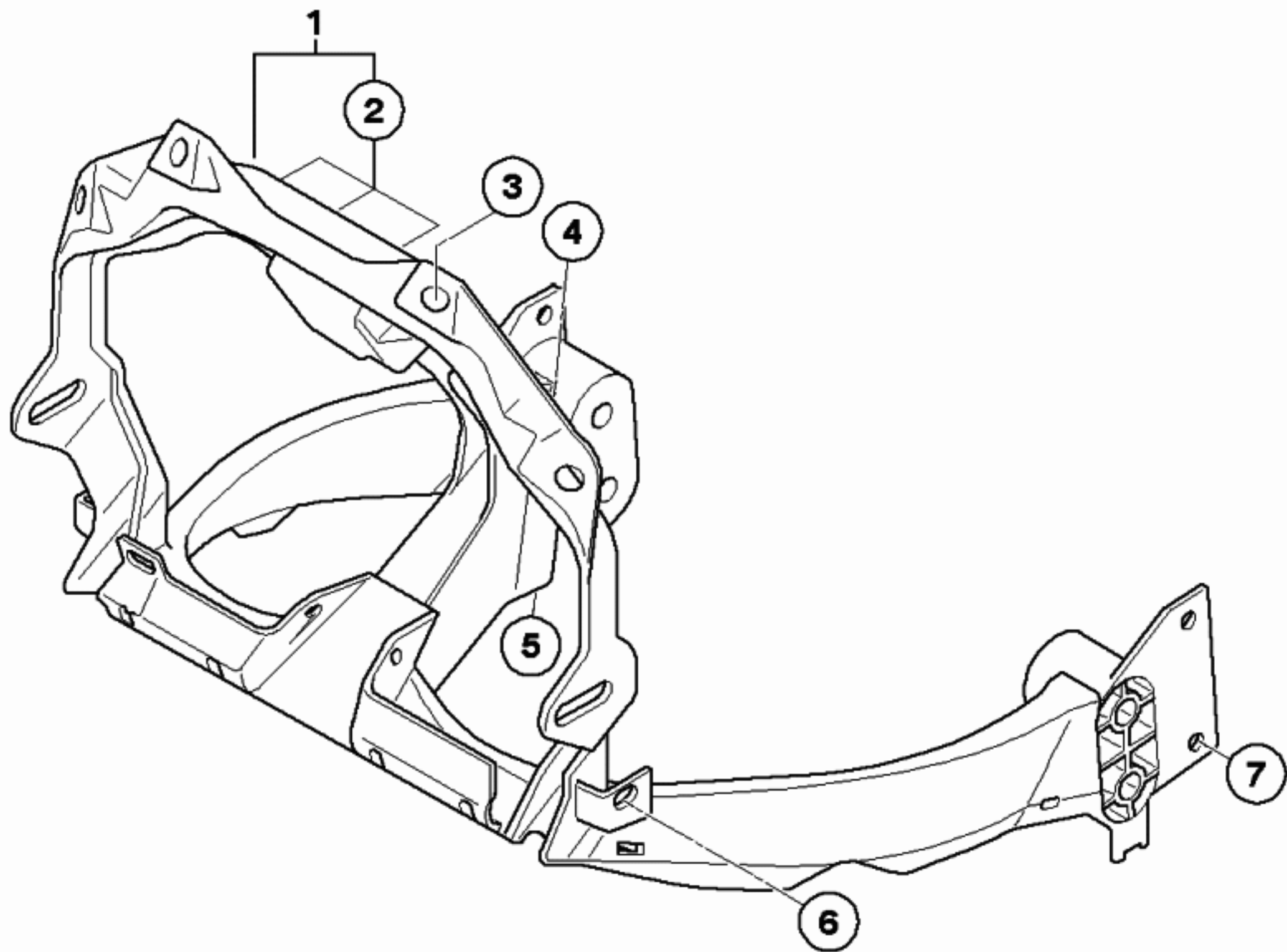
00176769

No	Part Number	Description	Qty 
01	46637708317	cover, ignition lock	1
02	46637698217	covering lower part	1
03	06327651211	fillister head screw (M5X12)	5
04	46637658638	nut (M5)	5
05	63137655661	oval head screw (M5X25)	2




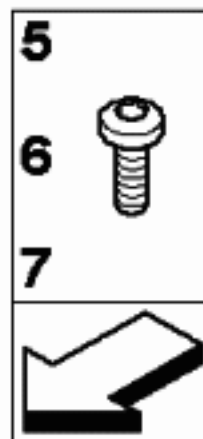
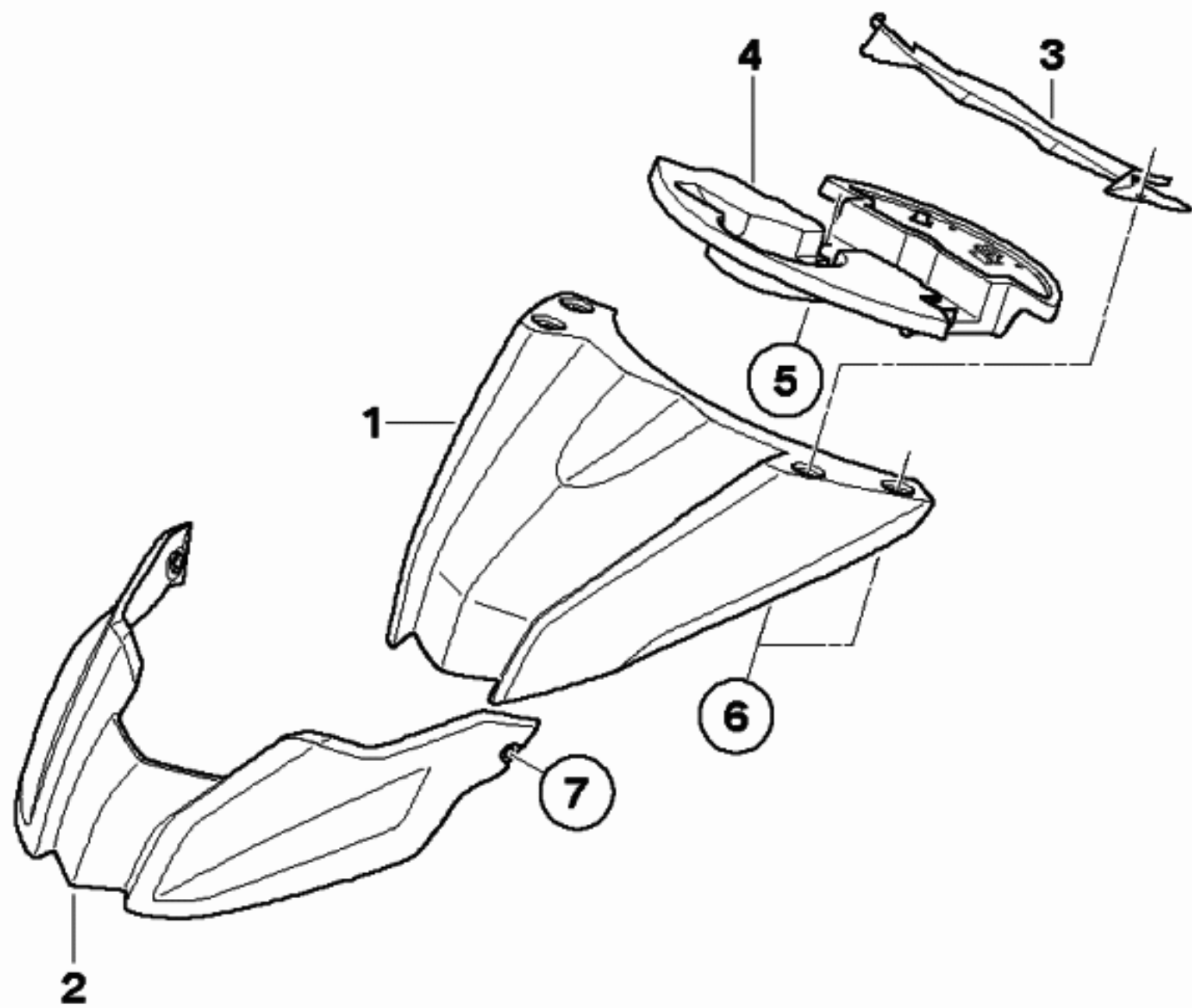
00162956

No	Part Number	Description	Qty 
01	46637694988	front panel carrier	1
02	46631233200	grommet	3
03	46632347012	plug-in nut (M5)	3
04	07129905488	isa screw with washer (M6X75-U0-ZNS3)	1
05	07129904858	hex nut with plate (AM6-8-ZNS3)	1
06	46637658638	nut (M5)	2
07	07129904710	isa screw (M6X50)	4




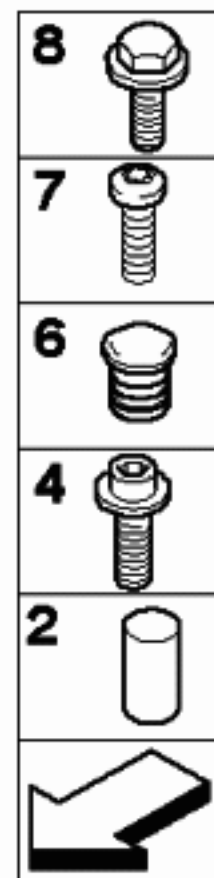
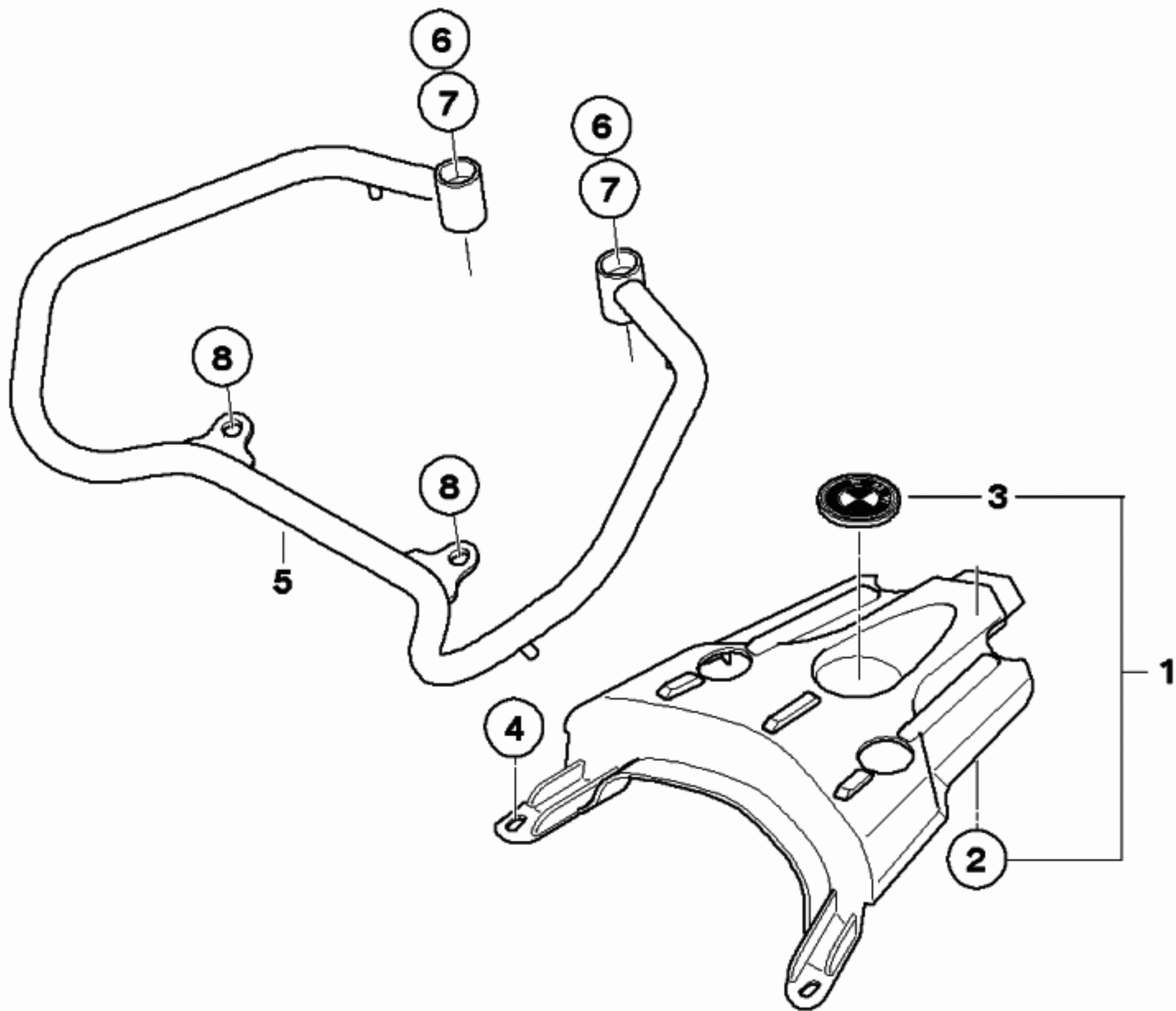
00163033

No	Part Number	Description	Qty 
01	46617712447	wheel cover (M158)	1
01	46617712446	wheel cover (M926)	1
01	46617712445	wheel cover (U291)	1
03	46637704363	covering center	1
04	46617712495	fork bridge cover	1
05	46637659459	fillister head screw (M6X16)	2
06	06327657966	fillister head screw (M5X20SI)	4



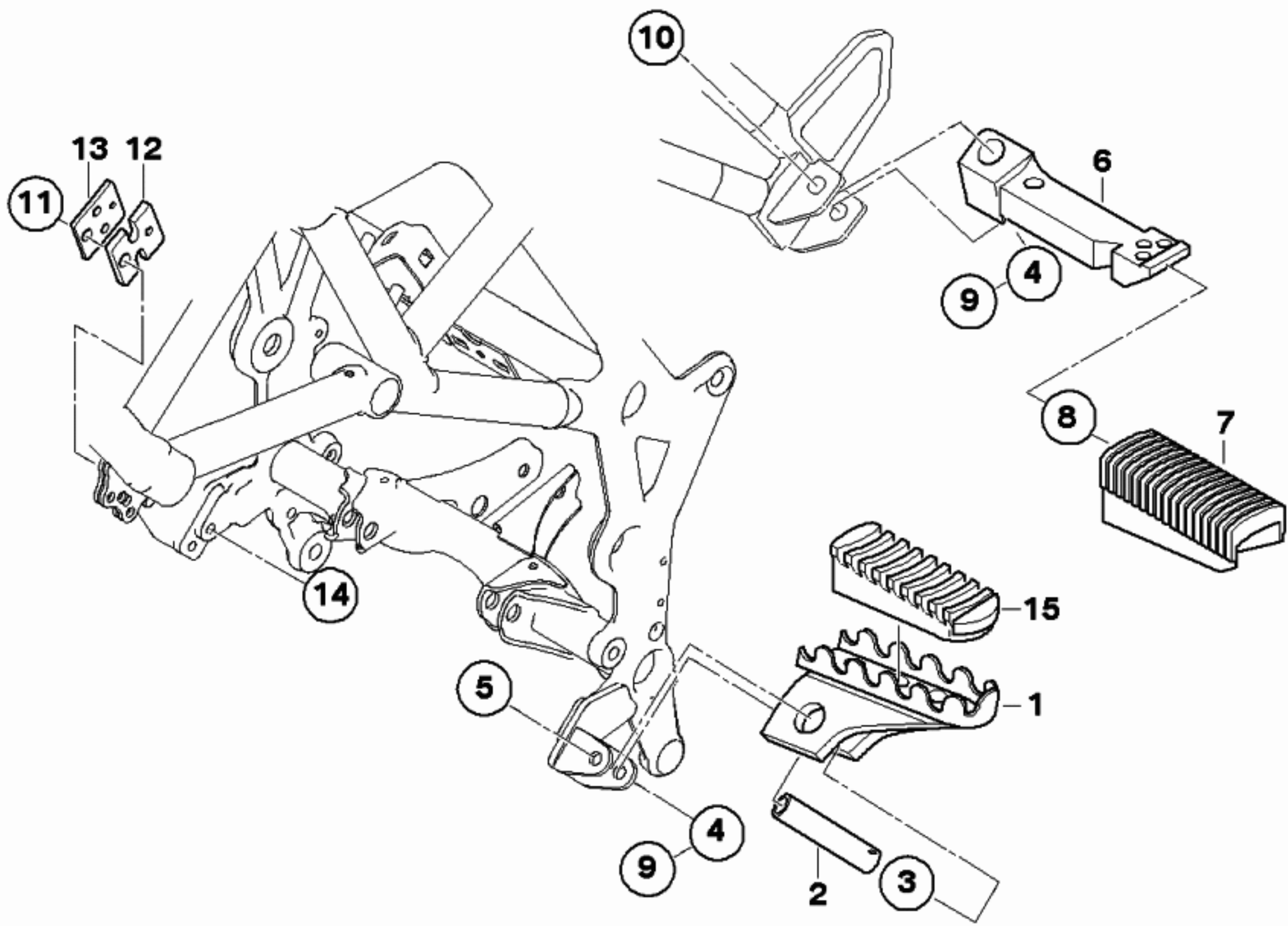
00163174

No	Part Number	Description	Qty 
01	46547704771	luggage grid	1
02	46632301767	bump stop	2
03	46542300045	badge	1
04	06327651211	fillister head screw (M5X12)	2
05	46547699874	handle rear	1
06	46517683083	plug	2
07	07129903768	isa screw (M8X35)	2
08	07131166764	torx bolt (M8)	1





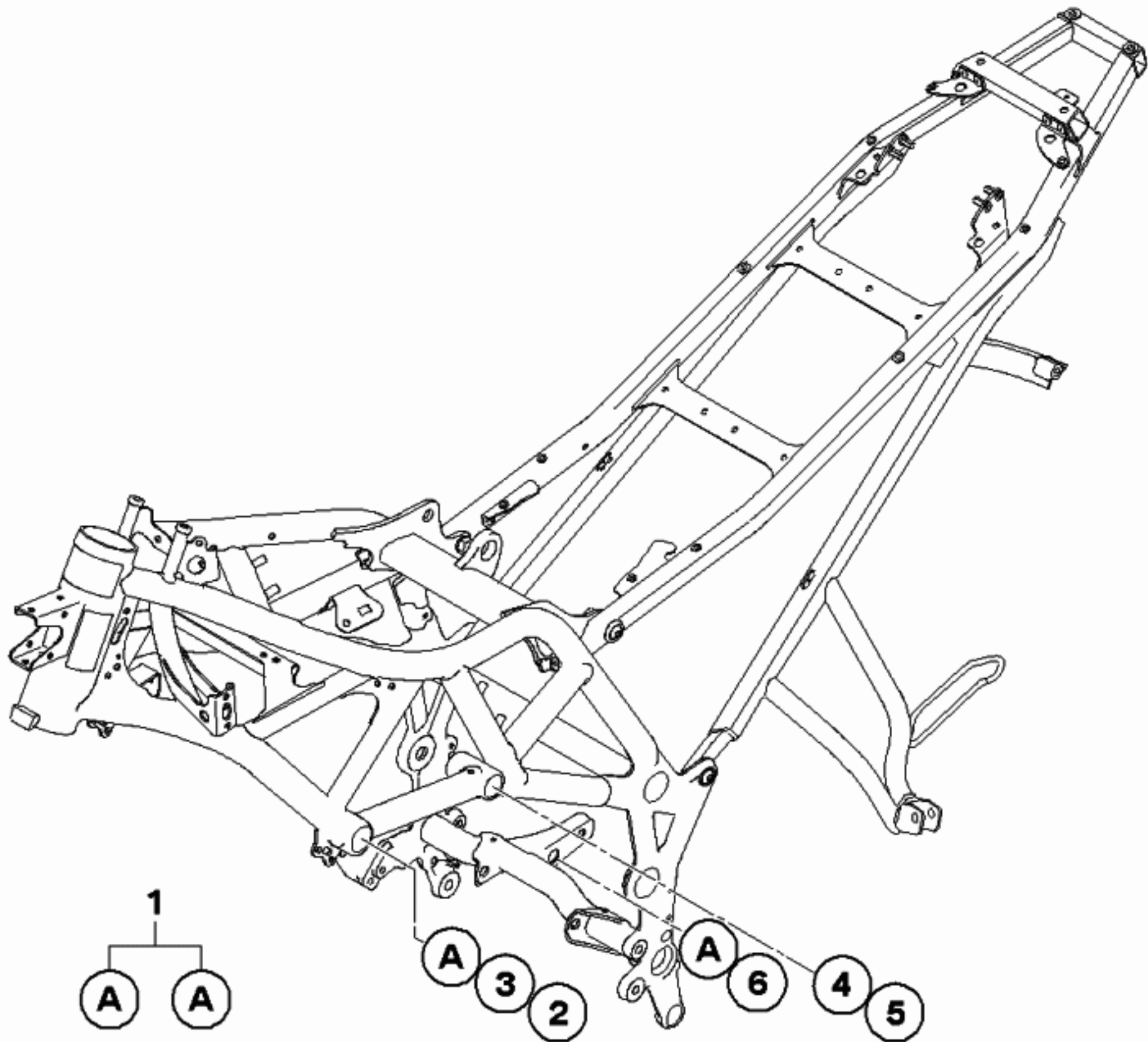
00164541

No	Part Number	Description	Qty 
01	46717701199	footrest, left	1
01	46717701200	footrest, right	1
02	46711242019	spacer tube	2
03	46717673821	retainer spring	2
04	07119906667	flat washer (D=8MM)	4
05	46717717832	pin (D=8MM/L=41MM)	1
05	46717717830	pin (D=8MM/L=45MM)	1
06	46717705653	footrest, rear left	1
06	46717705654	footrest, rear right	1
07	46717664225	footrest rubber	2
08	46717687107	thrust washer, left	1
08	46717687108	thrust washer, right	1
09	07119945076	split pin (2X16)	4
10	46717717831	pin (D=8MM/L=36MM)	2
11	63127699141	fillister head screw (M6X40)	1
12	46717708009	shim for two foot pegs, front right	1
13	46717708008	shim for foot peg, front right	1
14	07119905128	hex nut (M6-8-ZNS3)	1
15	46717716028	set of foot peg rubber covers, front	1




- |    |  |
|----|--|
| 14 |  |
| 11 |  |
| 9  |  |
| 8  |  |
| 5  |  |
| 10 |  |
| 4  |  |
| 3  |  |
|    |  |

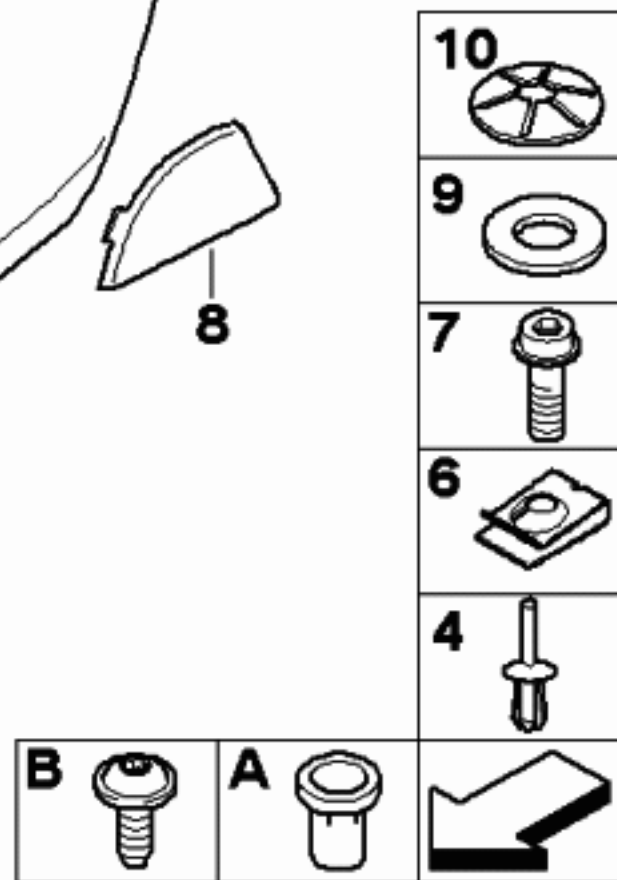
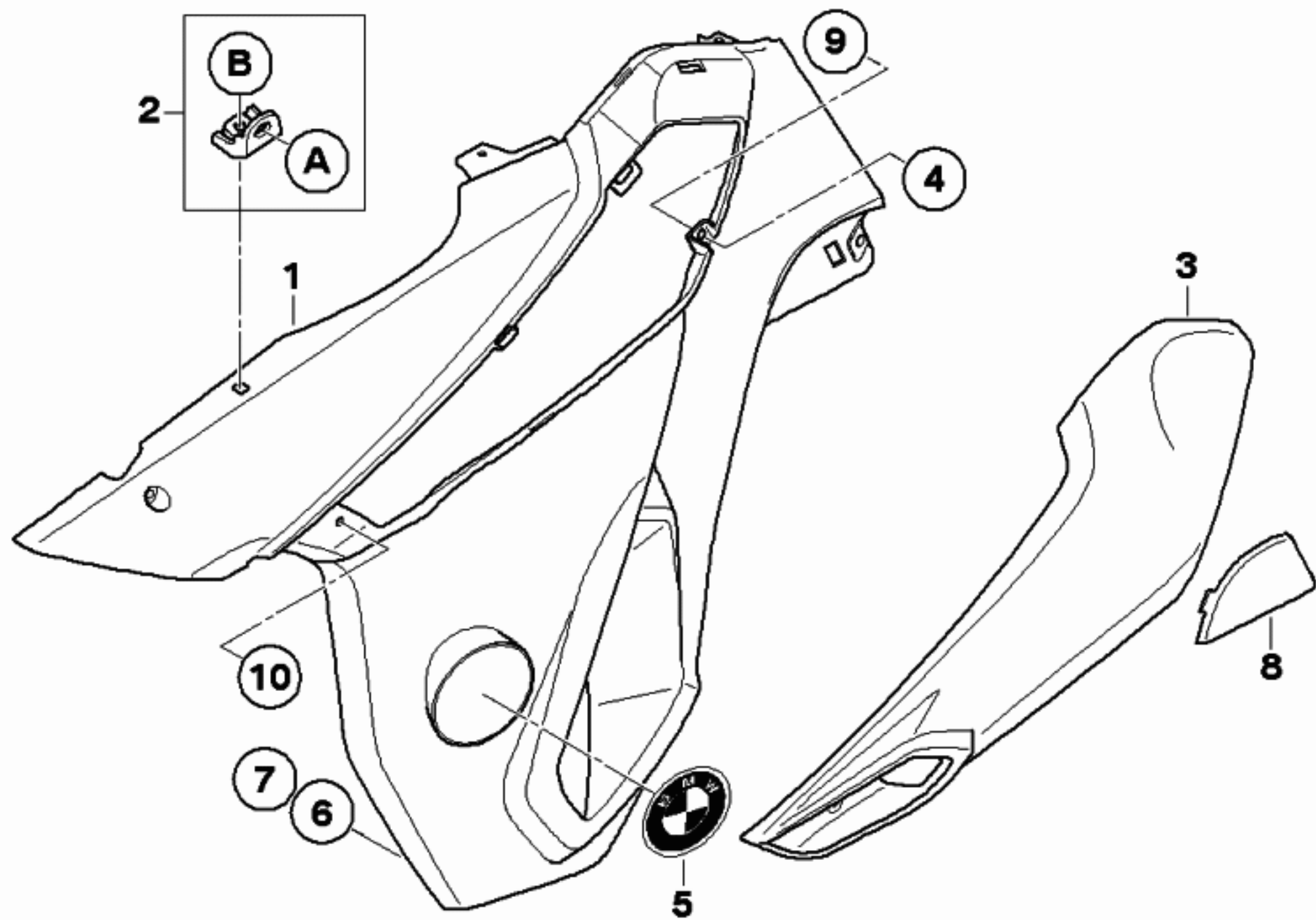
No	Part Number	Description	Qty 
01	46717716030	spacer rings set	1
02	07129906088	isa screw (M12X50-8.8 ZNS3)	2
03	07119906063	washer	2
04	<a href="#">07129905074</a> 	isa screw (M10X65)	1
04	07129903801	isa screw (M10X40-8.8-ZNS3)	1
06	07129903801	isa screw (M10X40-8.8-ZNS3)	2





- |   |  |
|---|--|
| 6 |  |
| 5 |  |
| 3 |  |
| 2 |  |
| 4 |  |
| A |  |

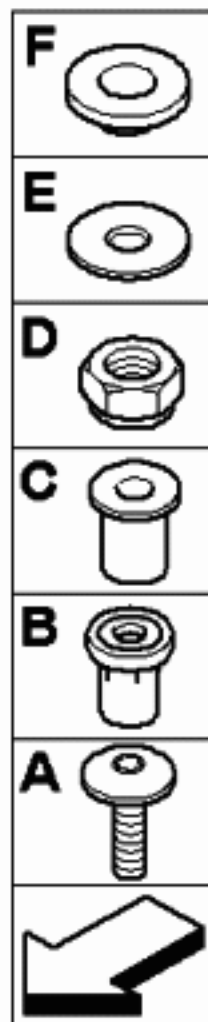
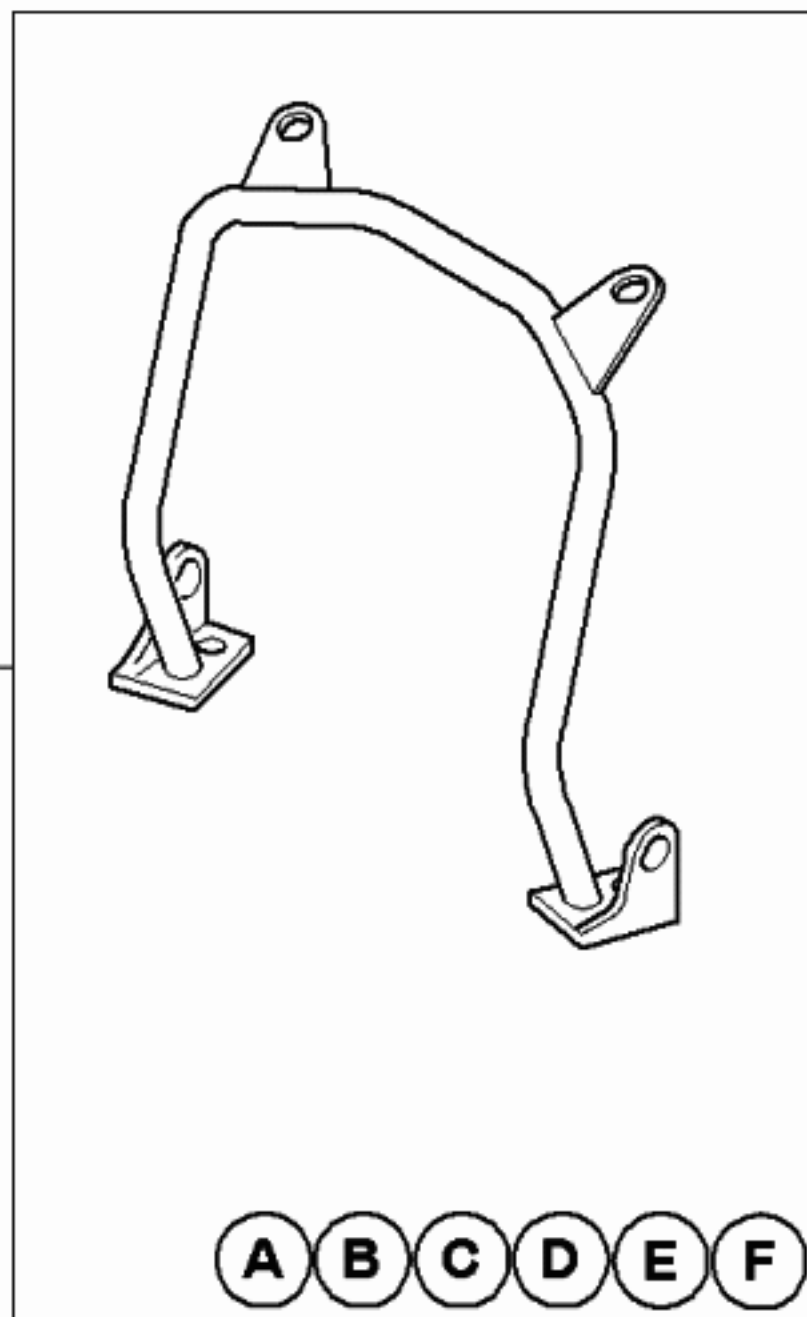
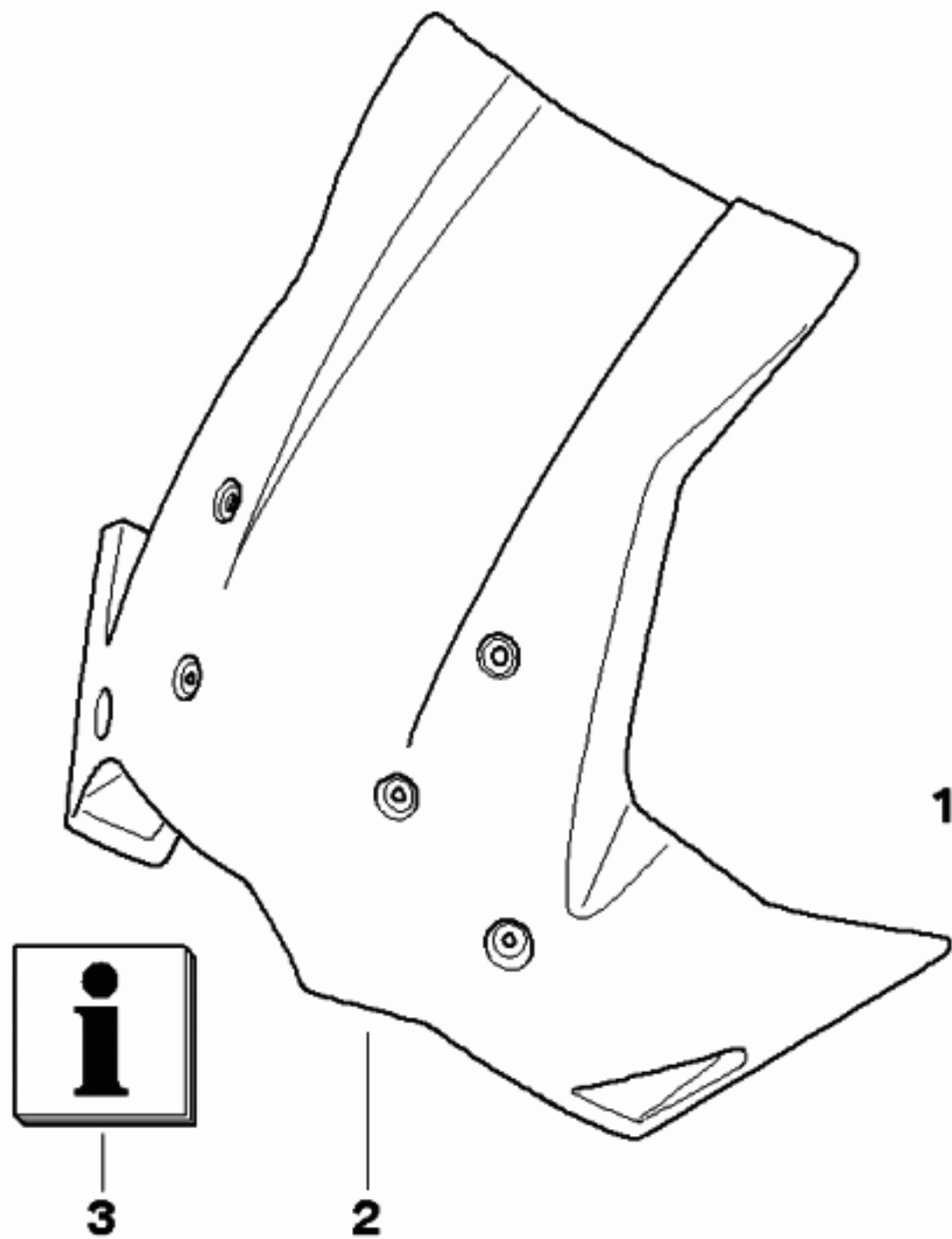
00165213

No	Part Number	Description	Qty 
01	46637712481	lateral trim panel front left	1
01	46637712482	lateral trim panel front right	1
01	46637712479	lateral trim panel front left	1
01	46637712480	lateral trim panel front right	1
01	46637712477	lateral trim panel front left	1
01	46637712478	lateral trim panel front right	1
05	51148164924	badge (D=50MM)	2
06	46637694548	self-locking plug nut (M5)	3
07	06327651212	fillister head screw (M5X16 SI)	3
08	46637716310	set of covers	1

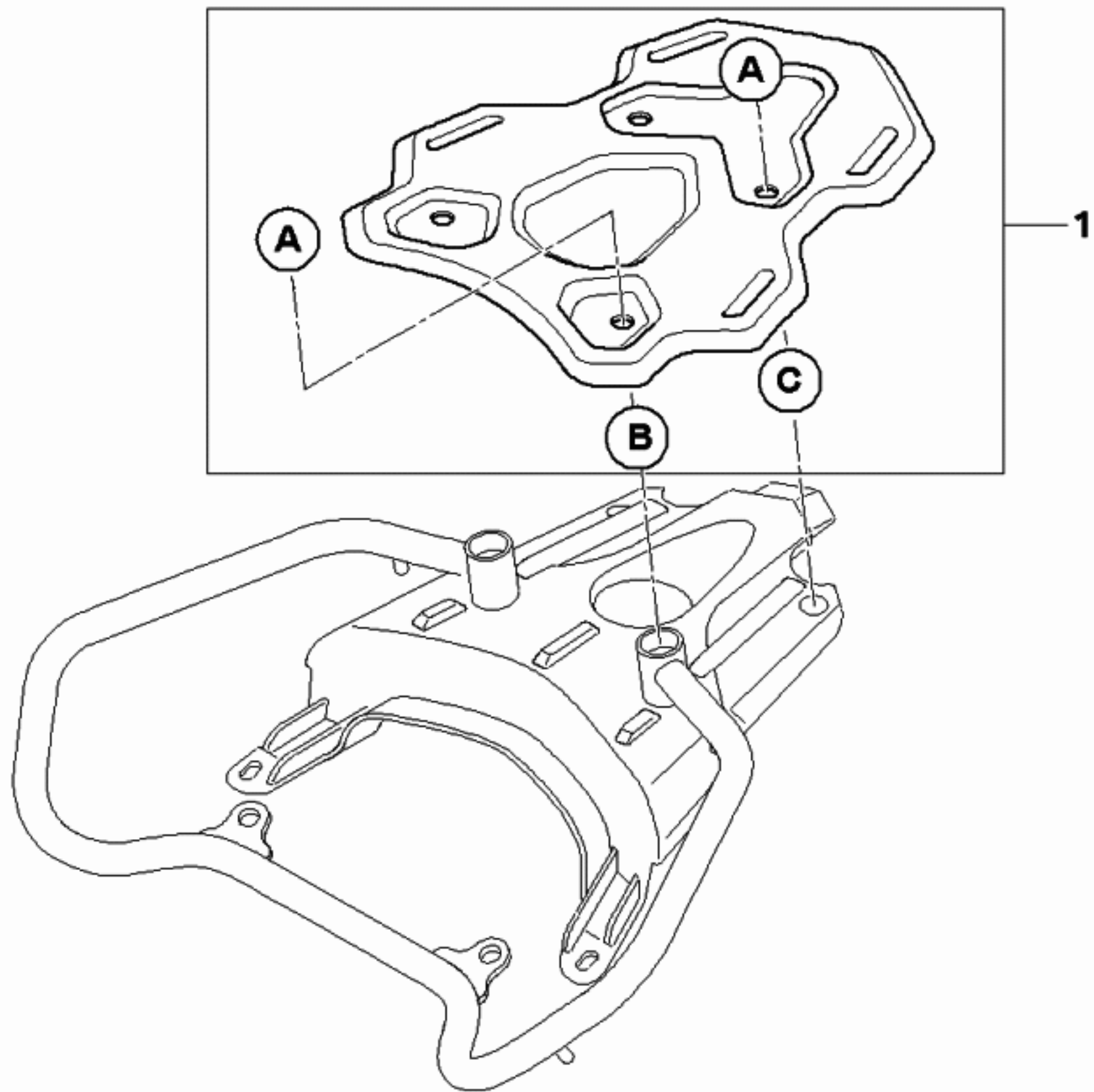




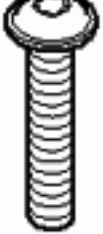

00176686

No	Part Number	Description	Qty 
01	71607701957	set, windshield holders	1
02	<a href="#">71607683059</a> 	touring windshield	1
03	01297701958	install.instructions, windshield high	1

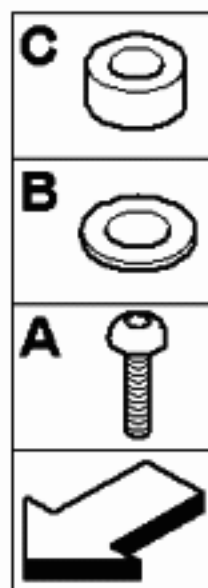
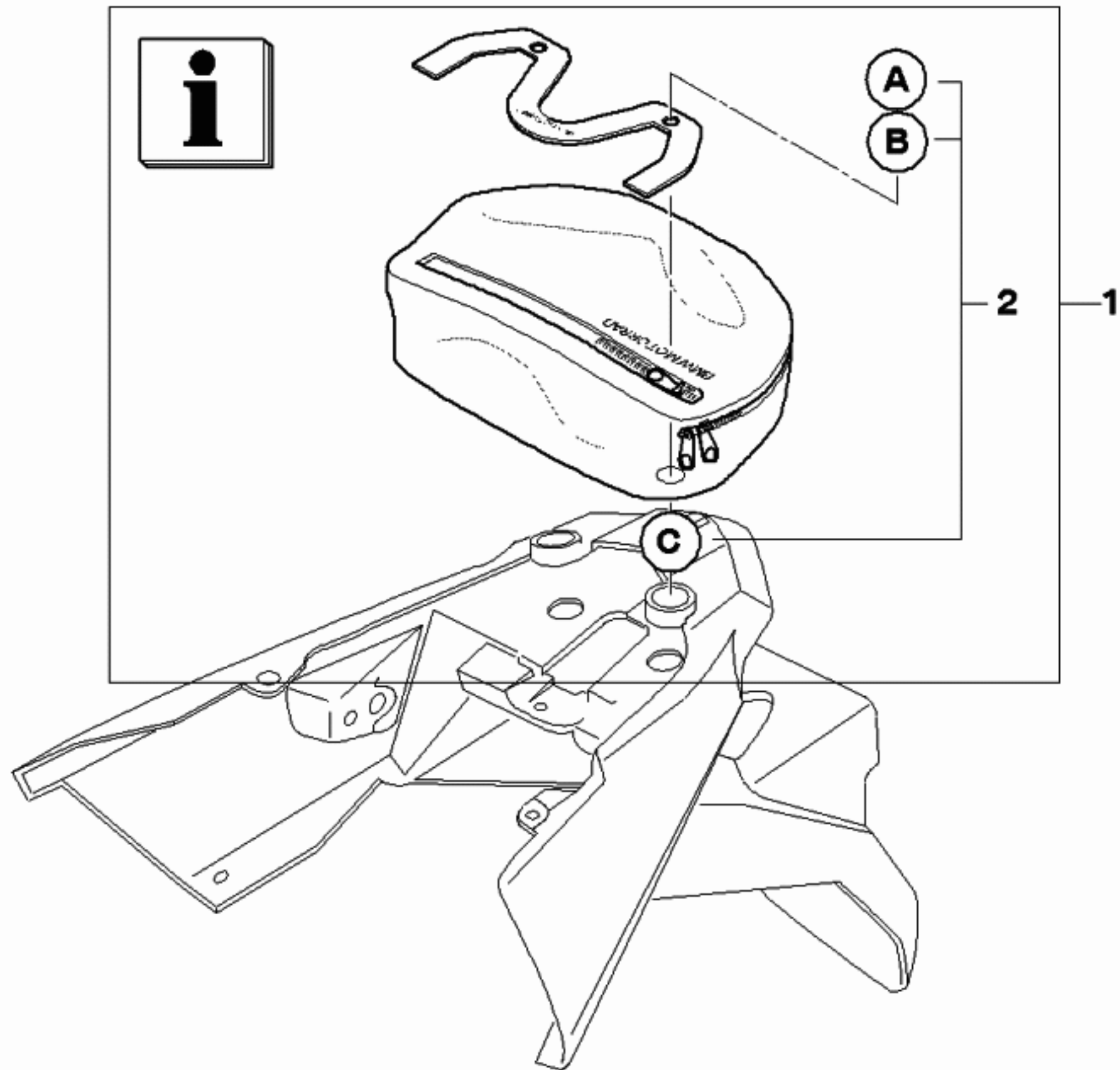


No	Part Number	Description	Qty
01	<a href="#">71607701810</a>	satz gepaeckbruecke klein	1



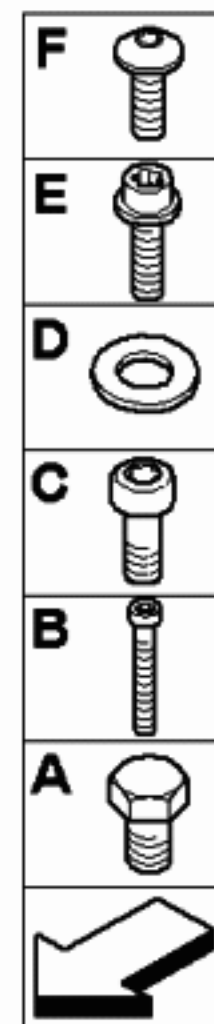
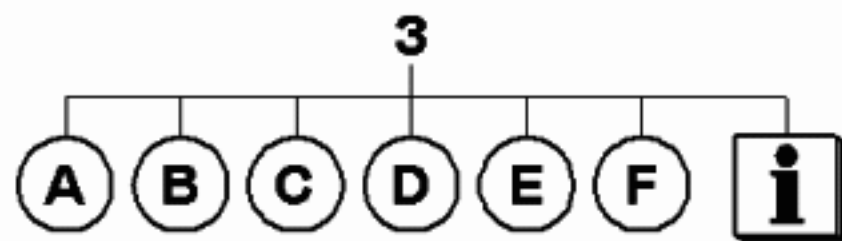
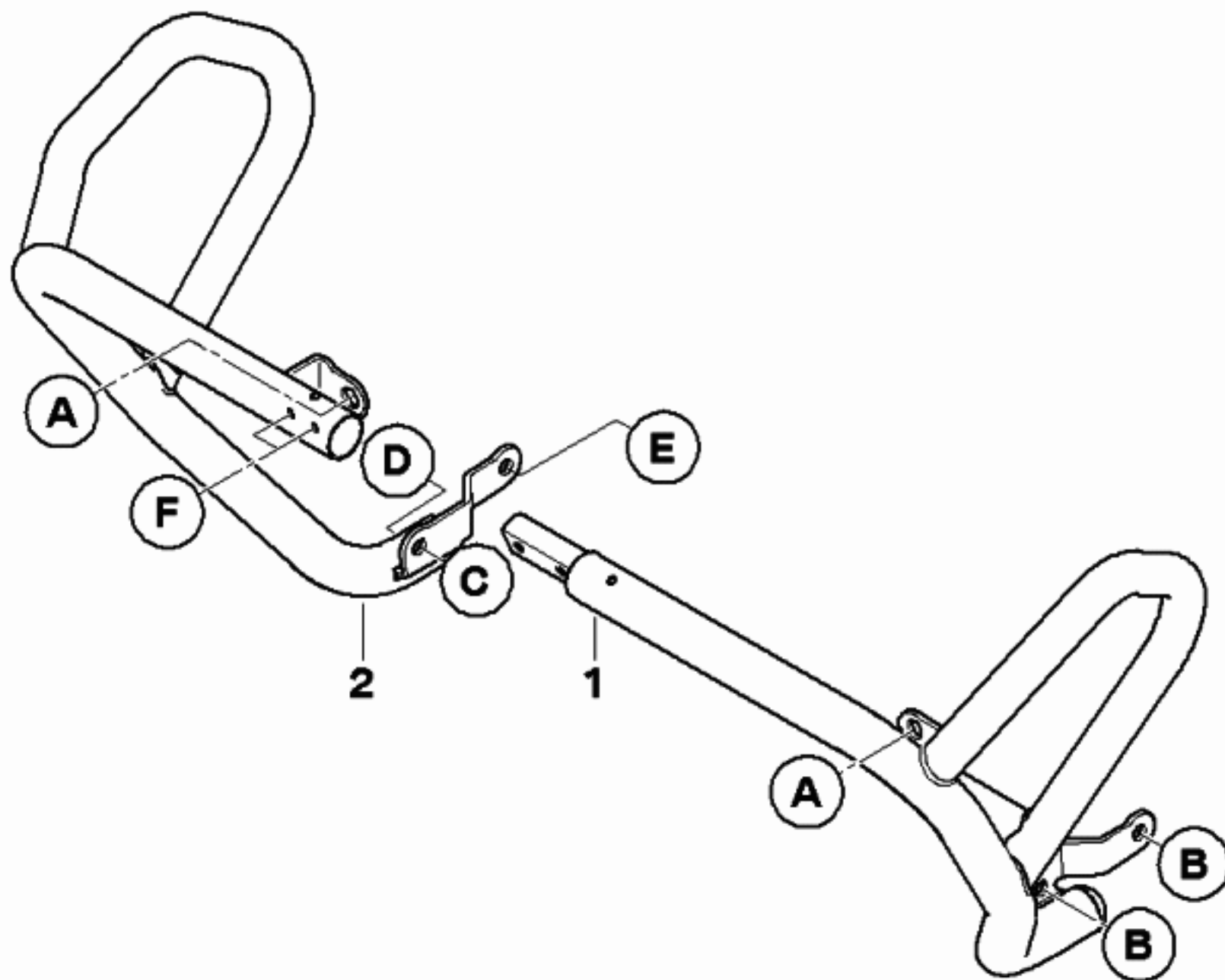
- |          |   |
|----------|---|
| <b>C</b> |   |
| <b>B</b> |  |
| <b>A</b> |  |
|          |  |

No	Part Number	Description	Qty
01	<a href="#">71607711245</a>	rear pocket	1
02	71607711246	fittings, reinforcement	1




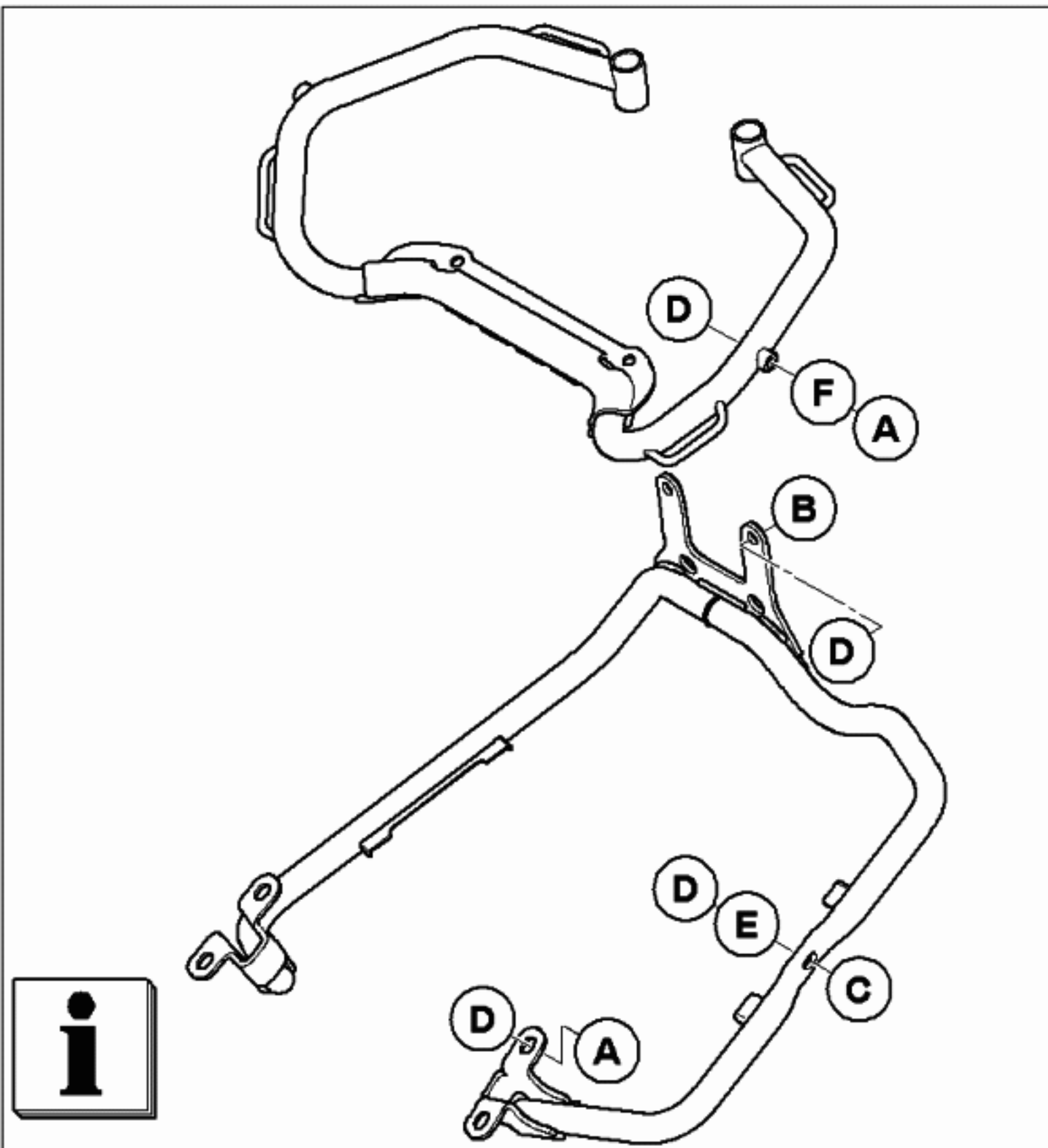
00168191

No	Part Number	Description	Qty
01	<a href="#">71607699437</a>	crash bar, left	1
02	<a href="#">71607699438</a>	crash bar, right	1
03	71607702395	set mounting kit for crash bar	1



00168746

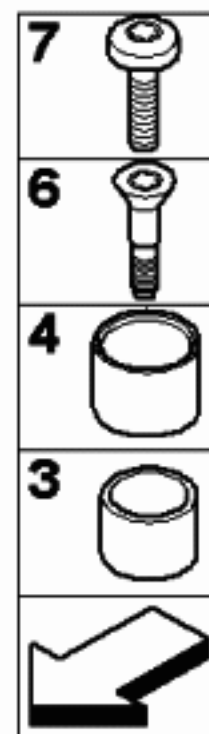
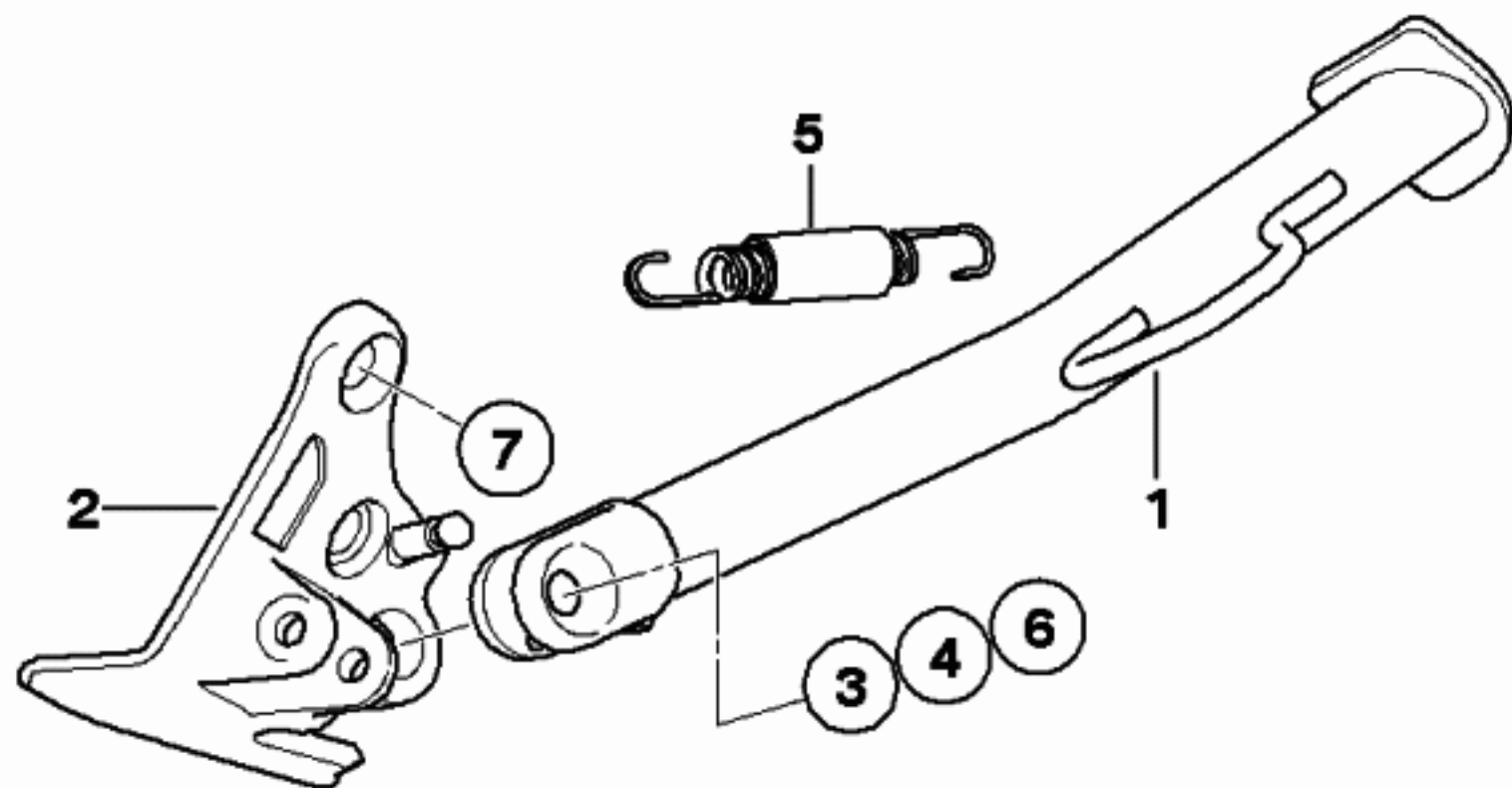
No	Part Number	Description	Qty 
01	71607696301	set case holder	1




- |   |  |
|---|--|
| F |  |
| E |  |
| D |  |
| C |  |
| B |  |
| A |  |
|   |  |

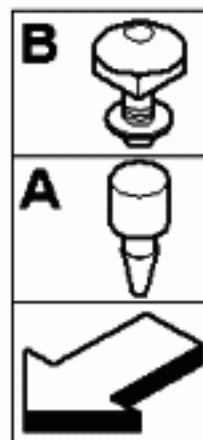
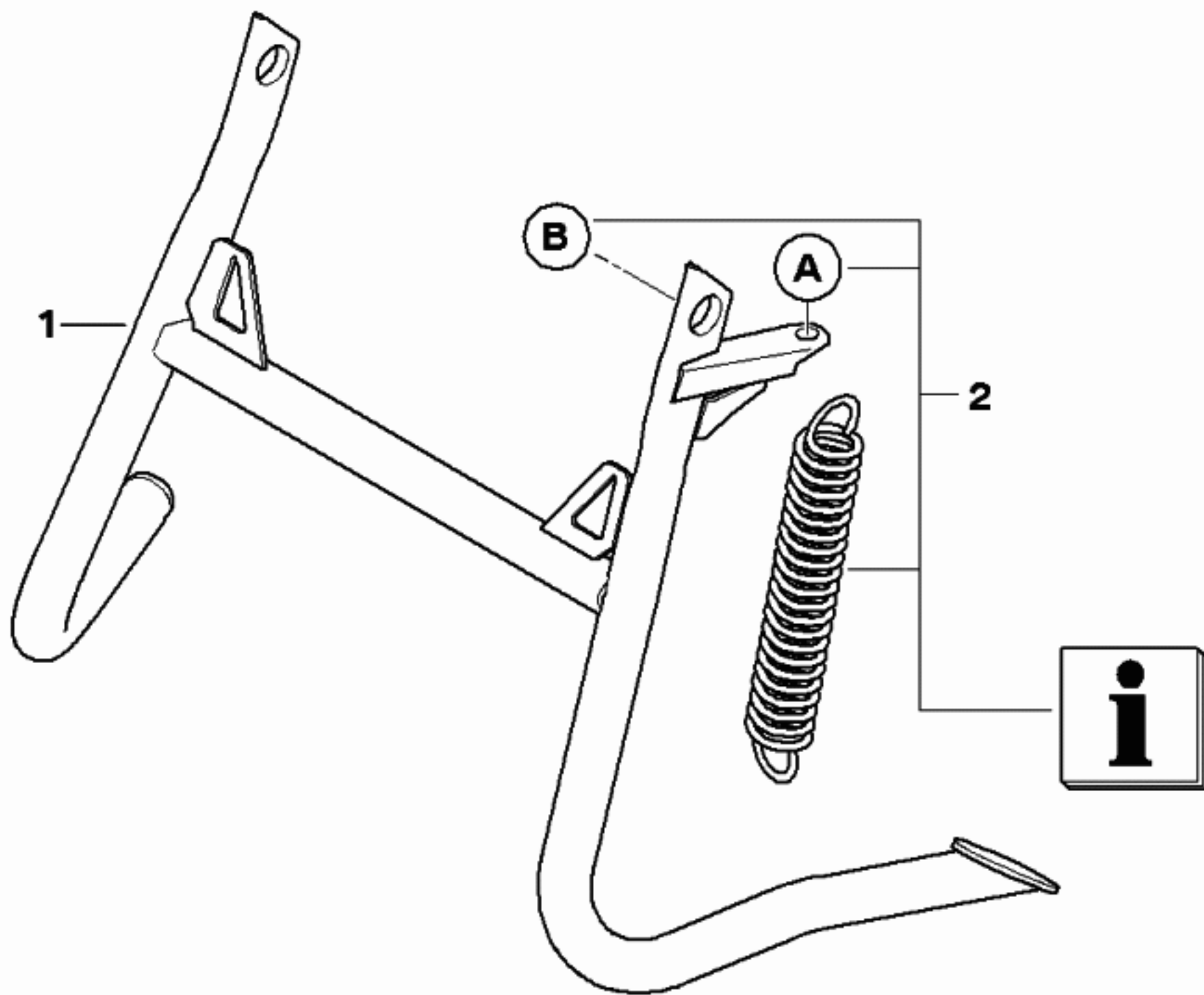
00168772

No	Part Number	Description	Qty 
01	46537701215	side stand	1
01	46537713838	side brace, short	1
02	46537704044	supporting bracket f side stand	1
03	46537678011	bush bearing (D=14MM)	1
04	46537678010	bush bearing (D=16MM)	1
05	46537715118	spring with grommet	1
06	46537681211	countersunk screw (M10)	1
07	46537715130	oval head screw (M10X20)	2




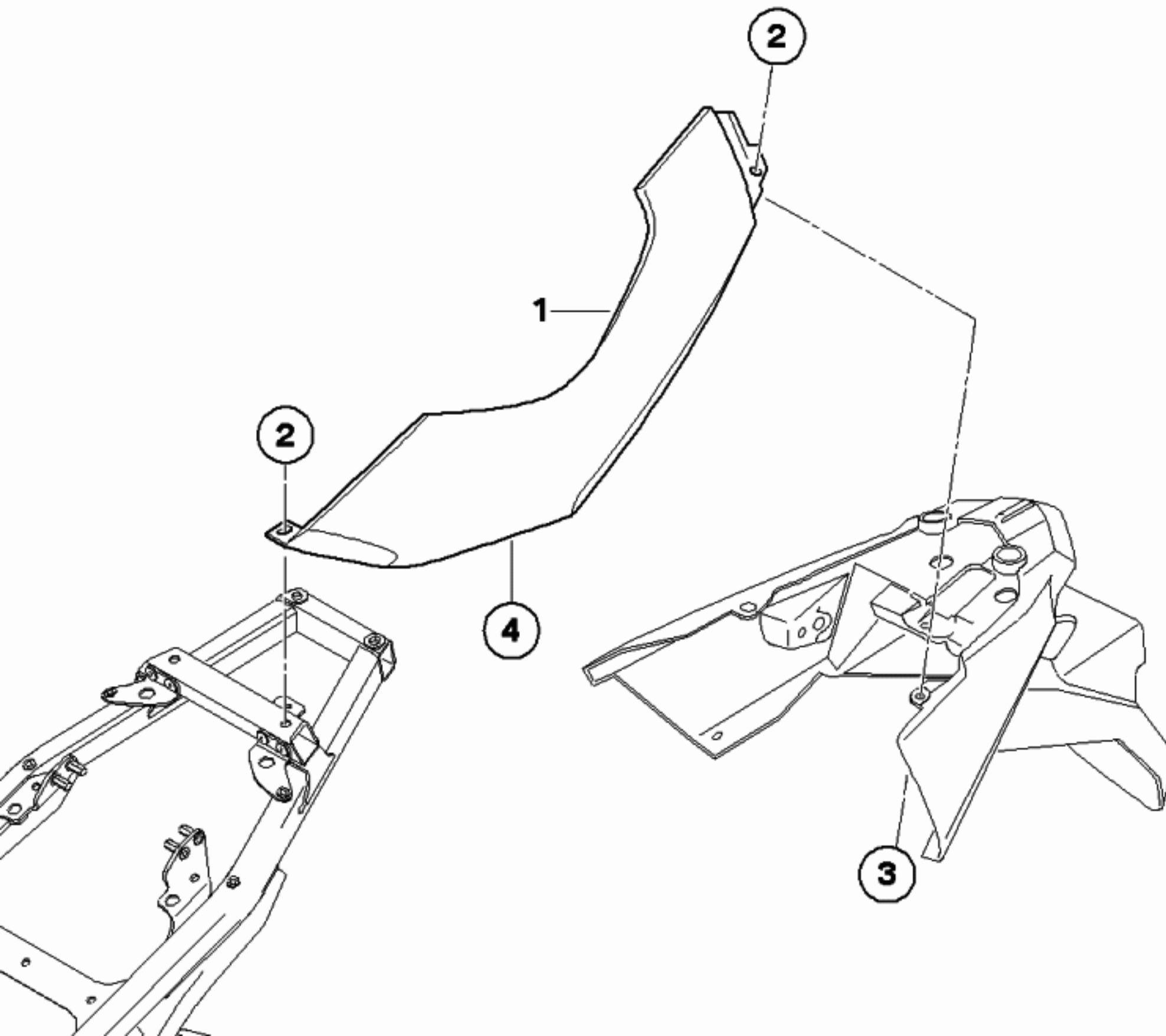
00169803





No	Part Number	Description	Qty 
01	46527700864	main stand	1
02	71607706738	set of mounting parts main stand	1



00169805

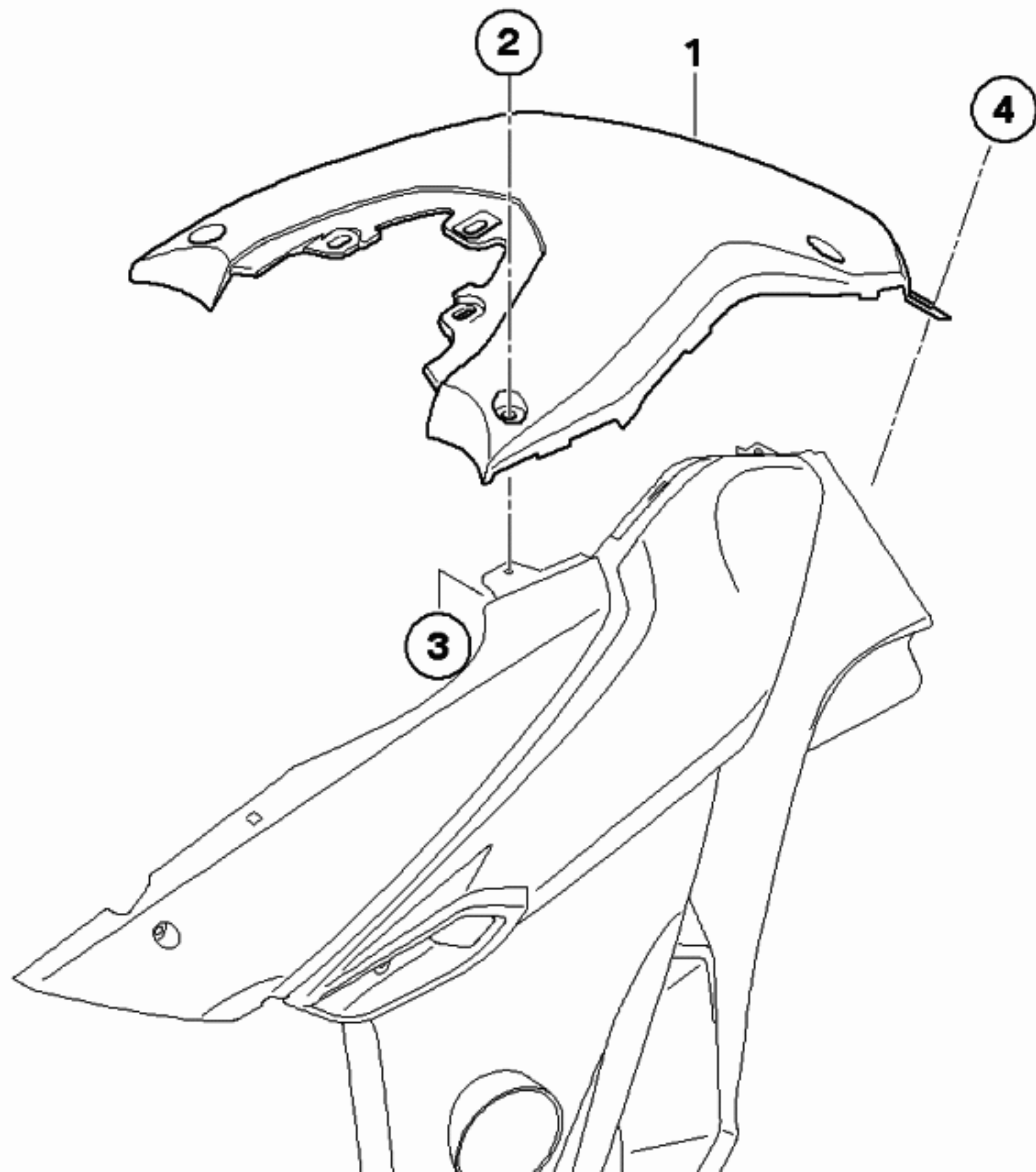
No	Part Number	Description	Qty 
01	46637712453	lateral body part,rr left, with sticker	1
01	46637712454	lateral body part,rr left, with sticker	1
01	46637712451	lateral body part,rr left, with sticker	1
01	46637712452	lateral body part,rr right, with sticker	1
01	46637712449	lateral body part,rr left, with sticker	1
01	46637712450	lateral body part,rr right, with sticker	1
02	06327651211	fillister head screw (M5X12)	4
03	46637707389	self-locking plug nut (M5)	2
04	11317675270	o-ring (20X2.62)	2



- 4 
- 3 
- 2 
- 

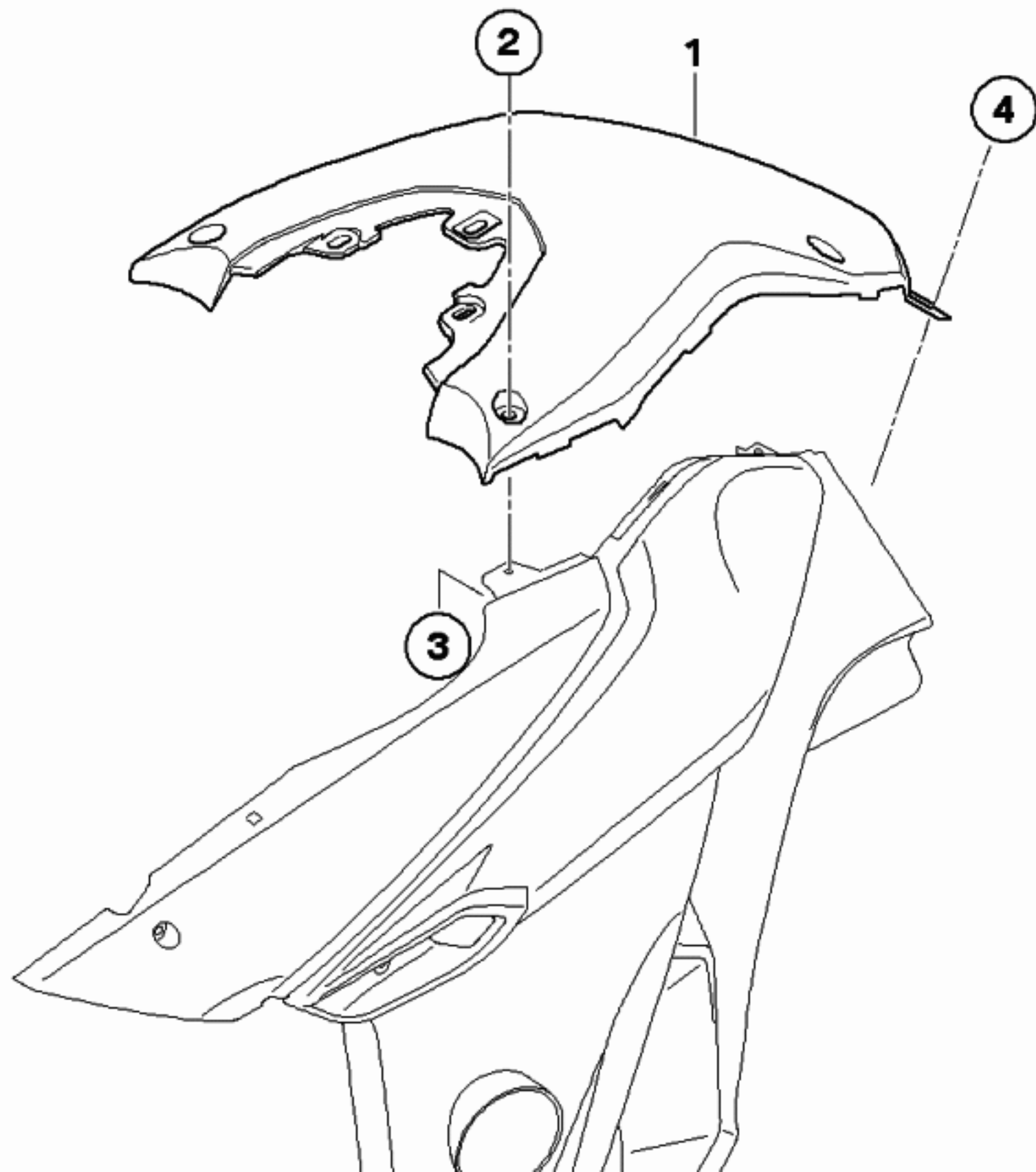
00169906

No	Part Number	Description	Qty 
01	46637712474	tank trim, center	1
01	46637712473	tank trim, center	1
01	46637712448	tank trim, center	1
02	63137655661	oval head screw (M5X25)	4
03	46637707389	self-locking plug nut (M5)	4
04	61357693145	grommet (8X16X8MM)	2






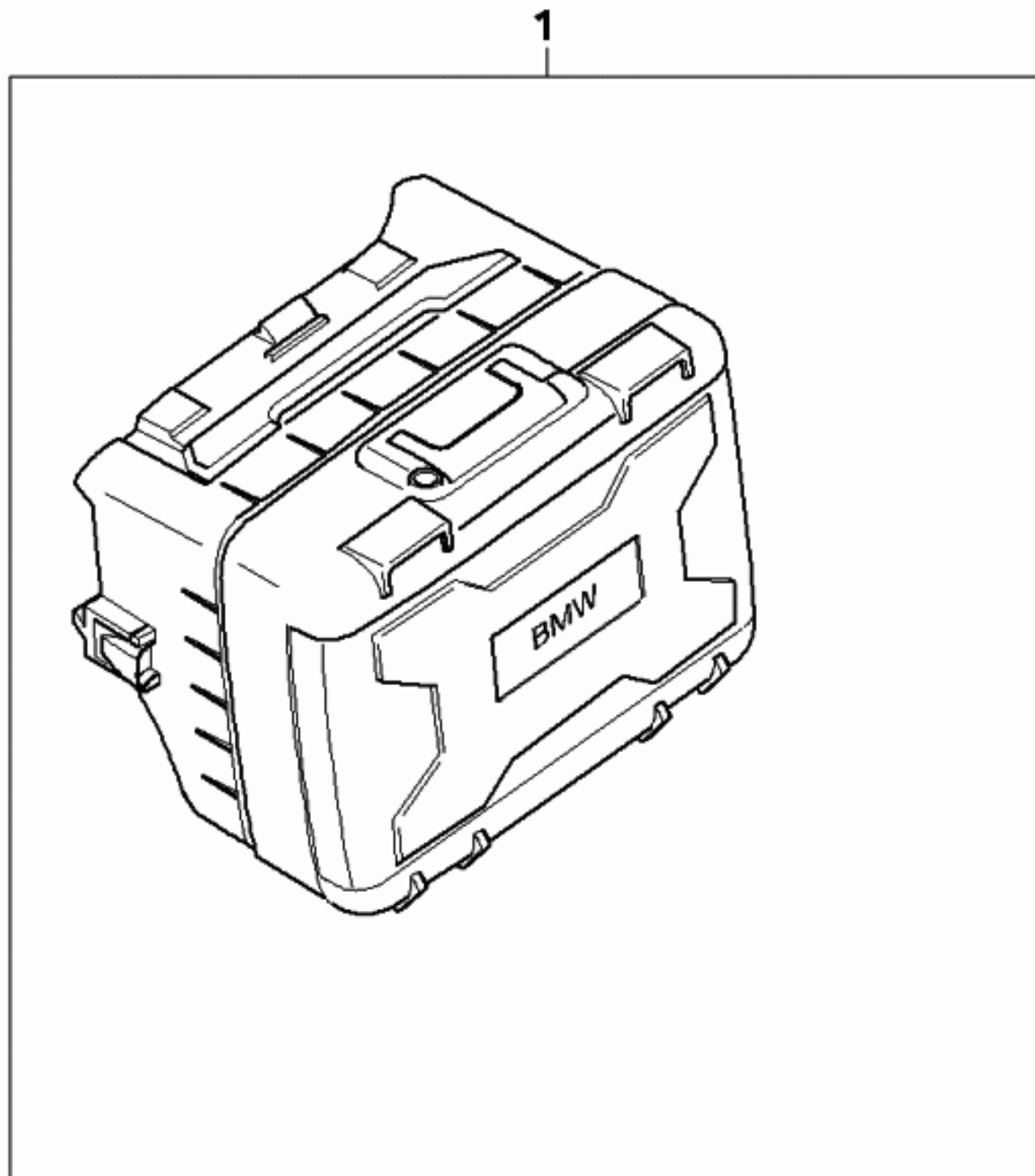
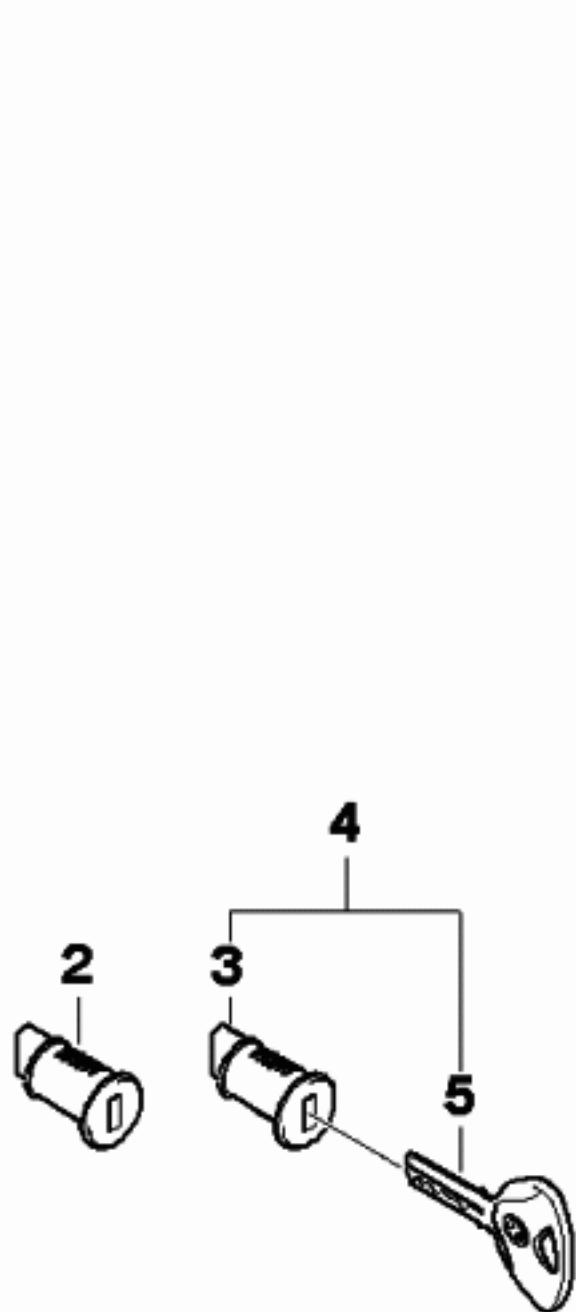
00169916

No	Part Number	Description	Qty 
01	46637712474	tank trim, center	1
01	46637712473	tank trim, center	1
01	46637712448	tank trim, center	1
02	63137655661	oval head screw (M5X25)	4
03	46637707389	self-locking plug nut (M5)	4
04	61357693145	grommet (8X16X8MM)	2




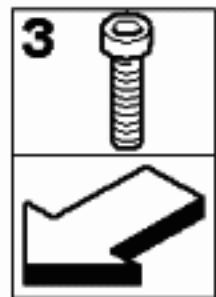
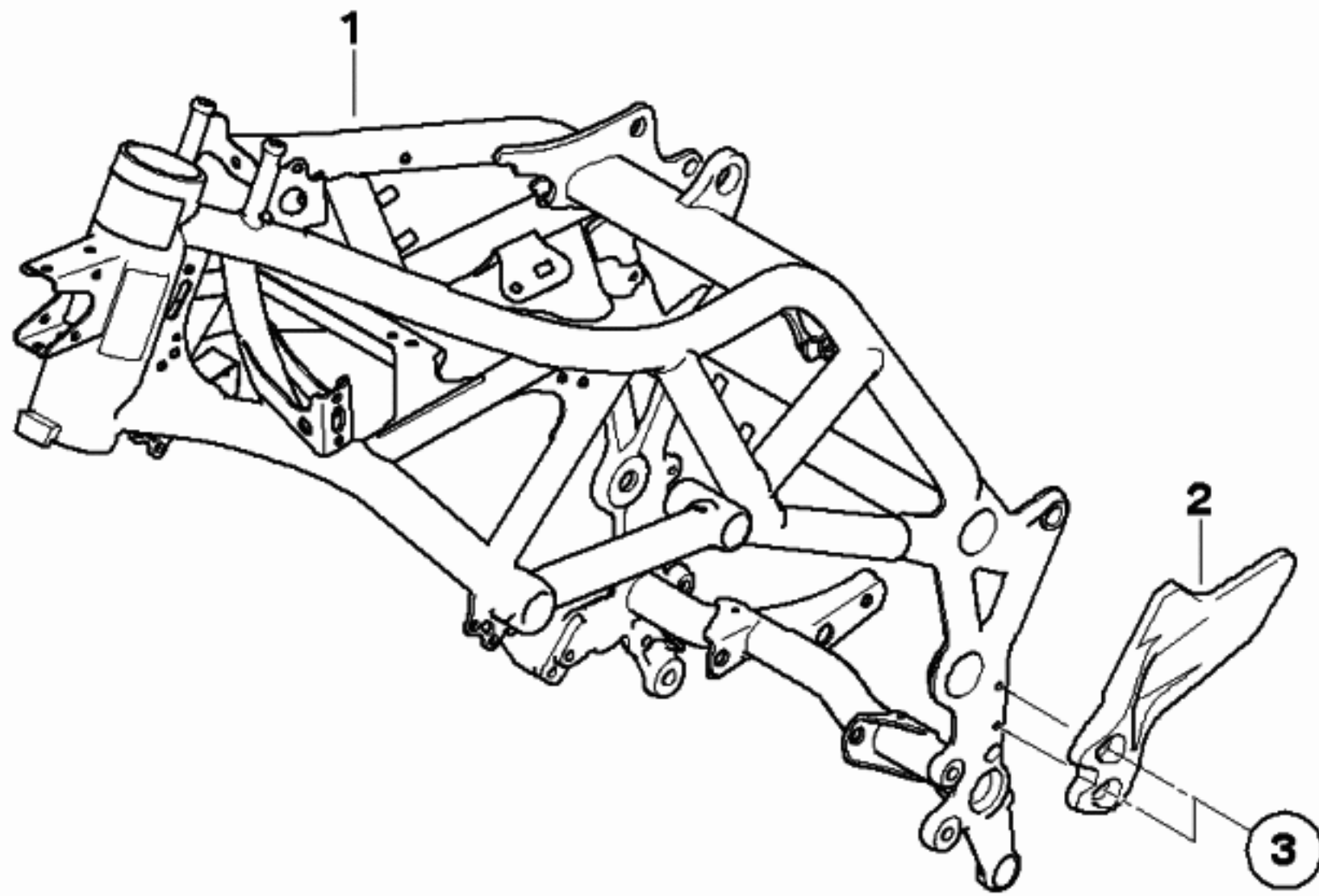
00169916

No	Part Number	Description	Qty 
--	51257688566	set of suitcase locks	1
--	51257688567	set of locks case/top case	1
01	<a href="#">71607696299</a> 	variable case, left, without lock cyl.	1
01	<a href="#">71607696300</a> 	variable case, right, without lock cyl.	1
02	51257681199	lock cylinder with vin code	1
03	51257692176	case lock cylinder/top case w key code	1
04	51257688566	set of suitcase locks	1
04	51257688567	set of locks case/top case	1
05	51257688726	general key without transponder to code (GRAY)	1
05	51257681198	general key (code)	1



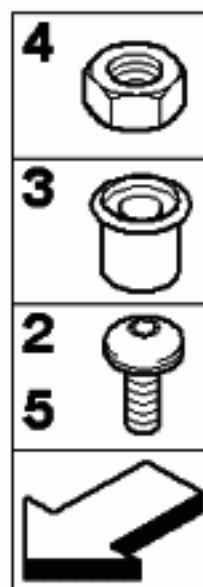
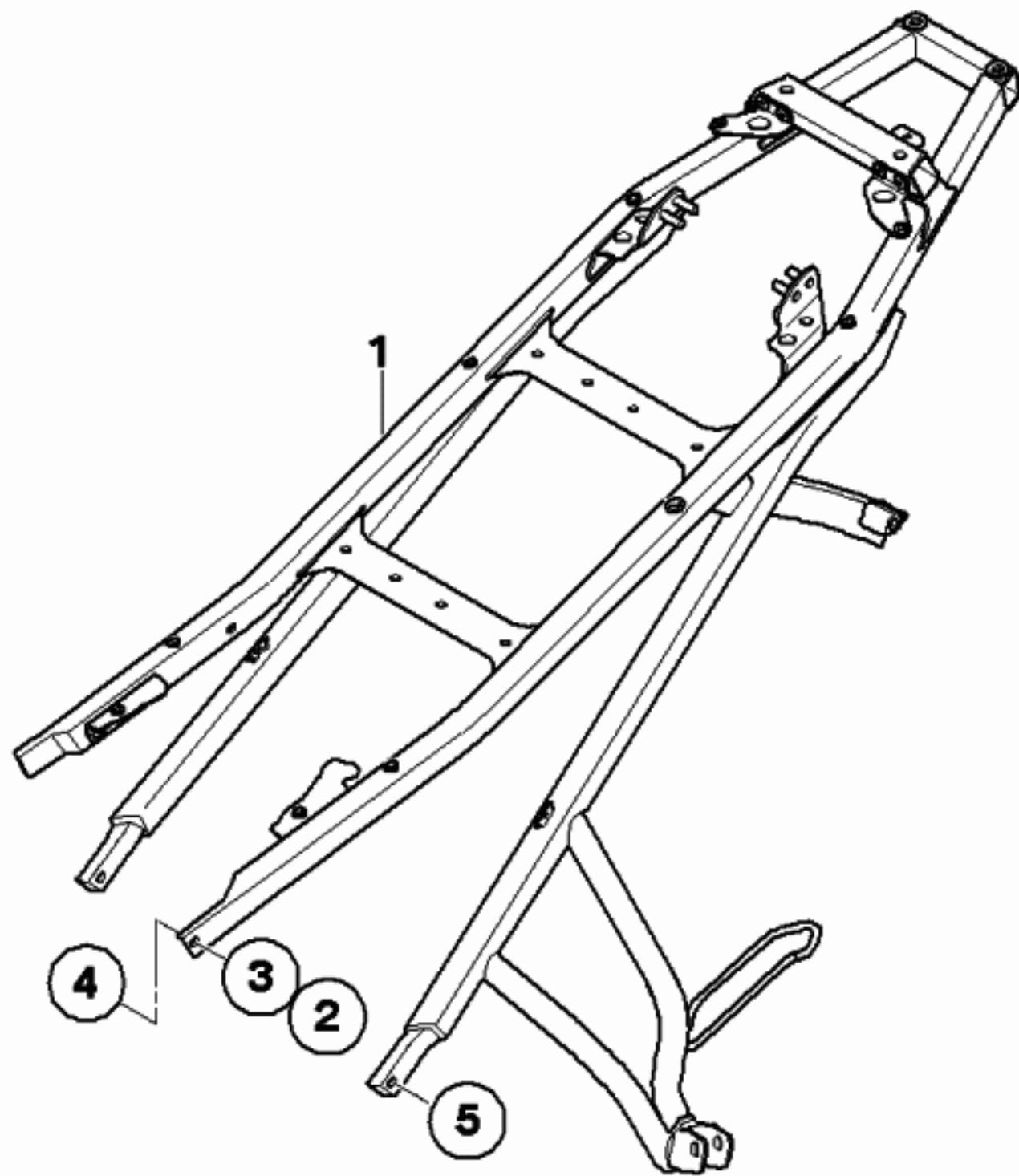
00174427

No	Part Number	Description	Qty 
01	46517676539	front frame black	1
02	46637716066	guard cover	1
03	07129905494	isa screw (M6X16)	4



00169948

No	Part Number	Description	Qty 
01	46517694996	rear frame black	1
02	46517712833	isa screw (M10X40 ZNS3-MK)	2
03	46517700047	collar bush (D=10,2/D=19)	2
04	07119904025	hex nut (M10)	2
05	46517712832	isa screw (M10X18 ZNS3-MK)	2

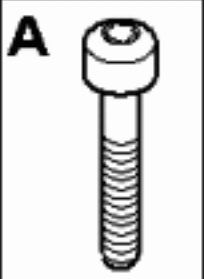
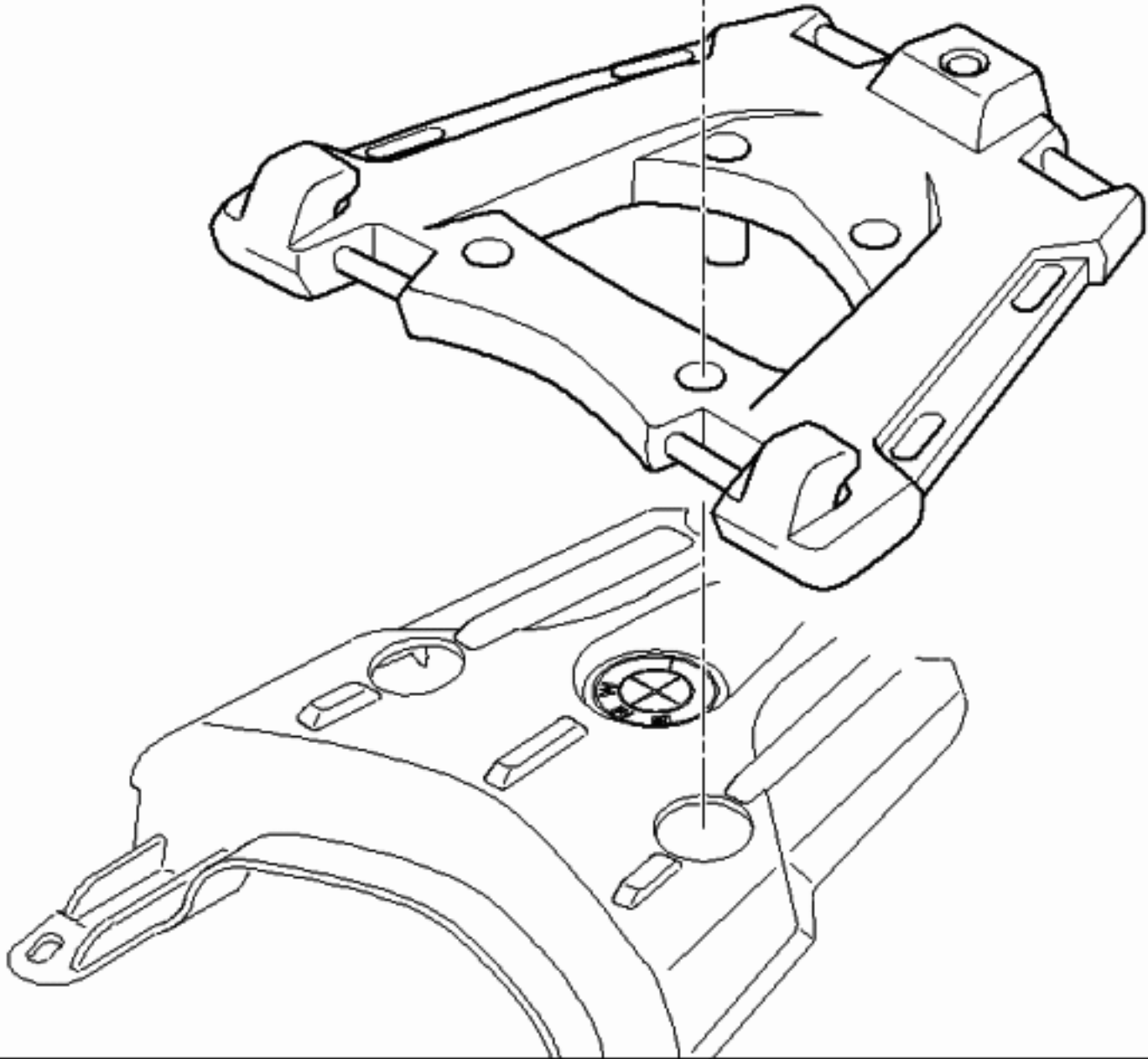


00169958


No	Part Number	Description	Qty
01	<a href="#">71607696303</a>	retrofit kit, top case bracket	1

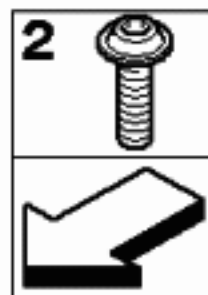
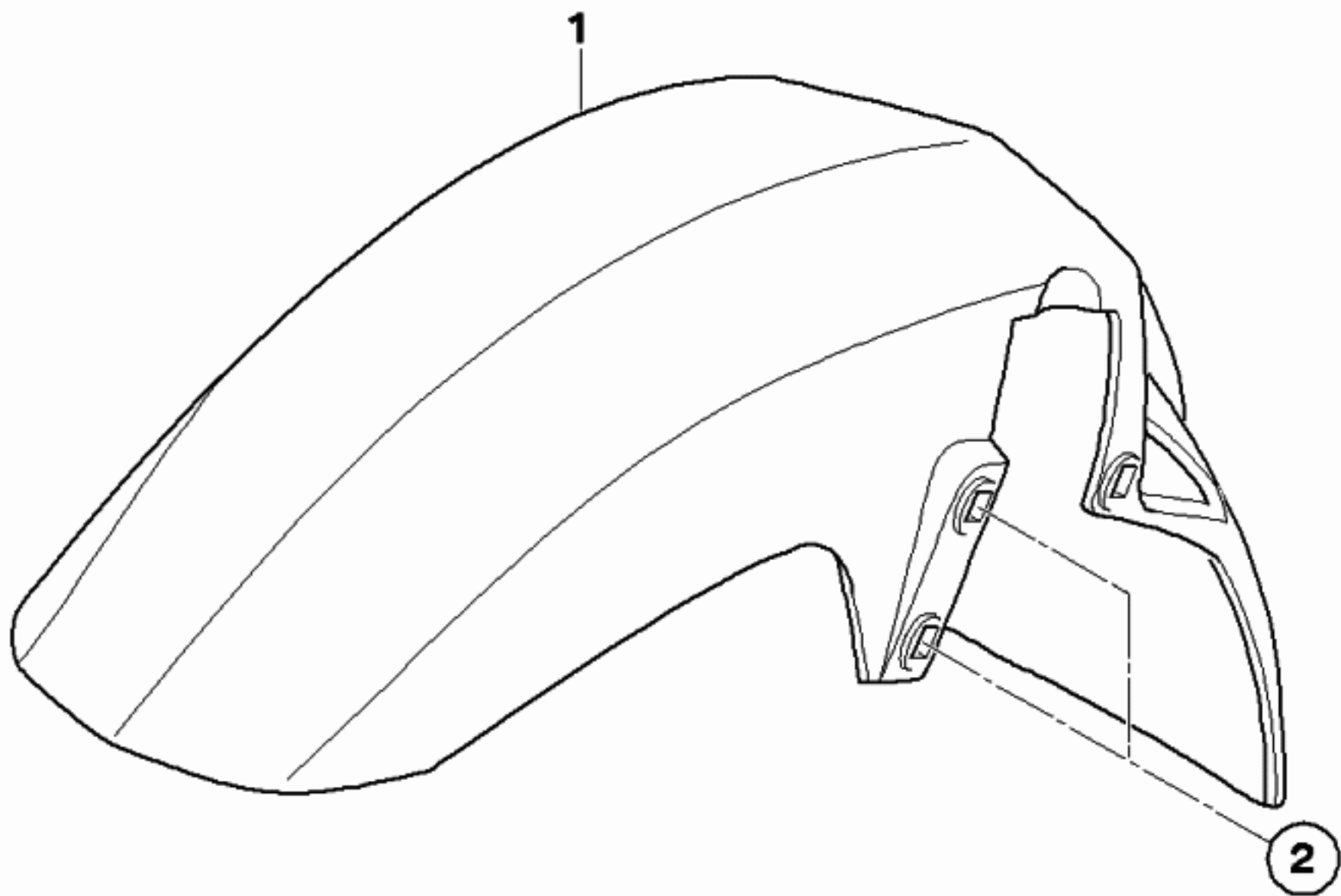
1

A




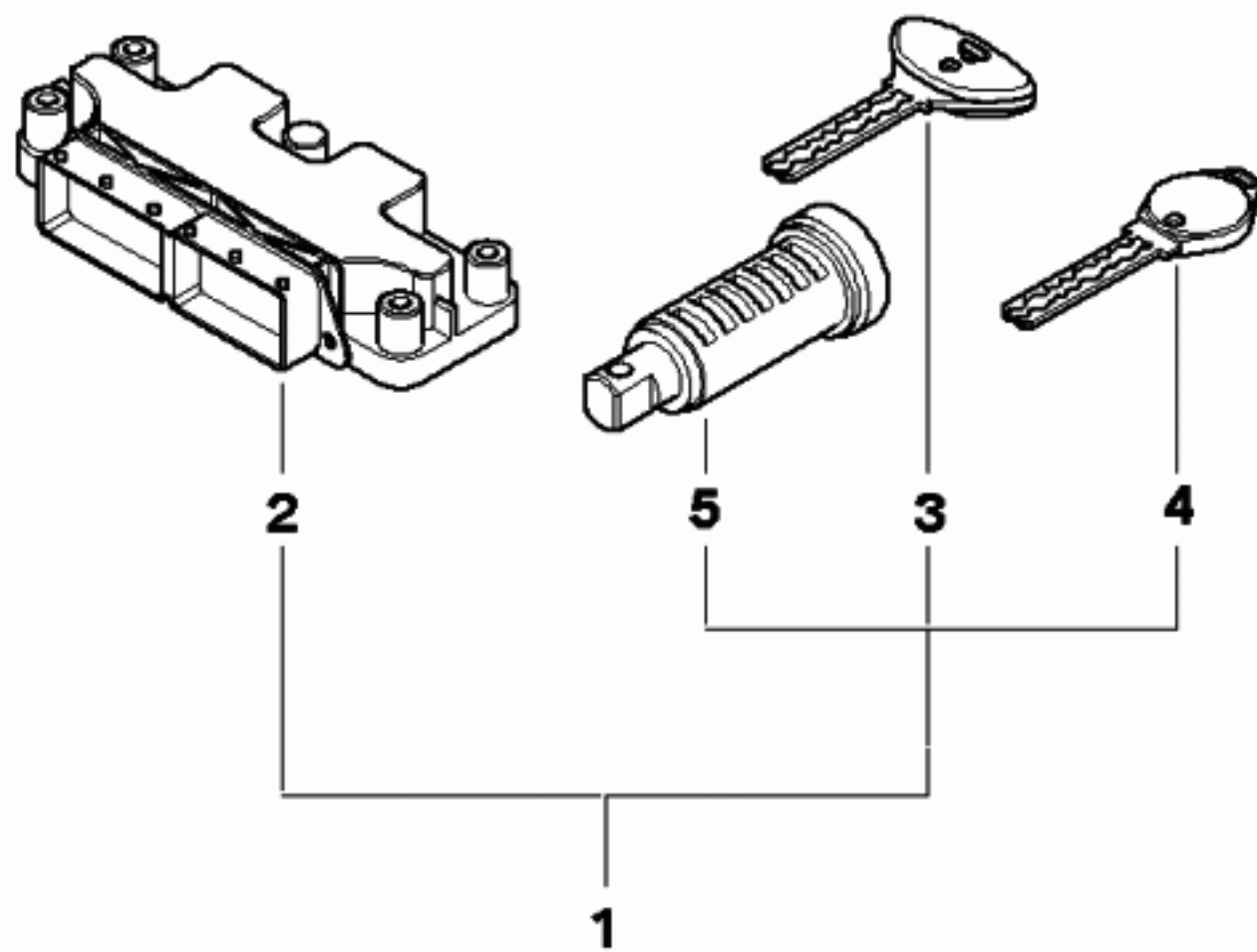
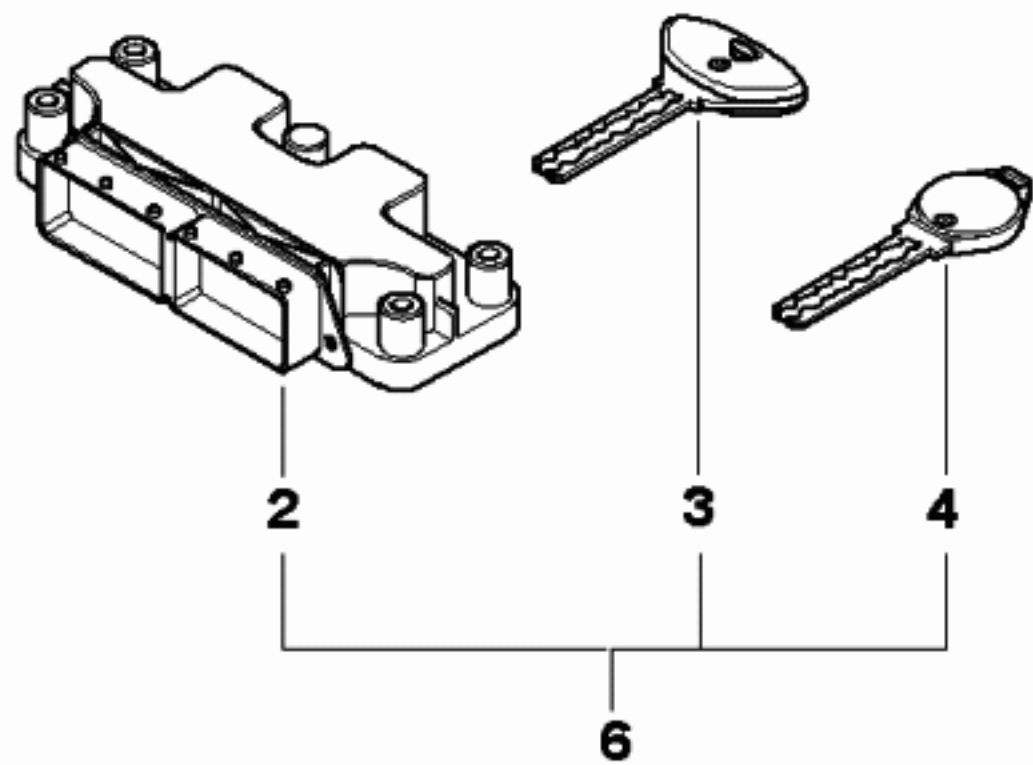
00169959

No	Part Number	Description	Qty 
01	46617700653	wheel cover, wheel proximity	1
02	46547685133	fillister head screw (M6X30)	4



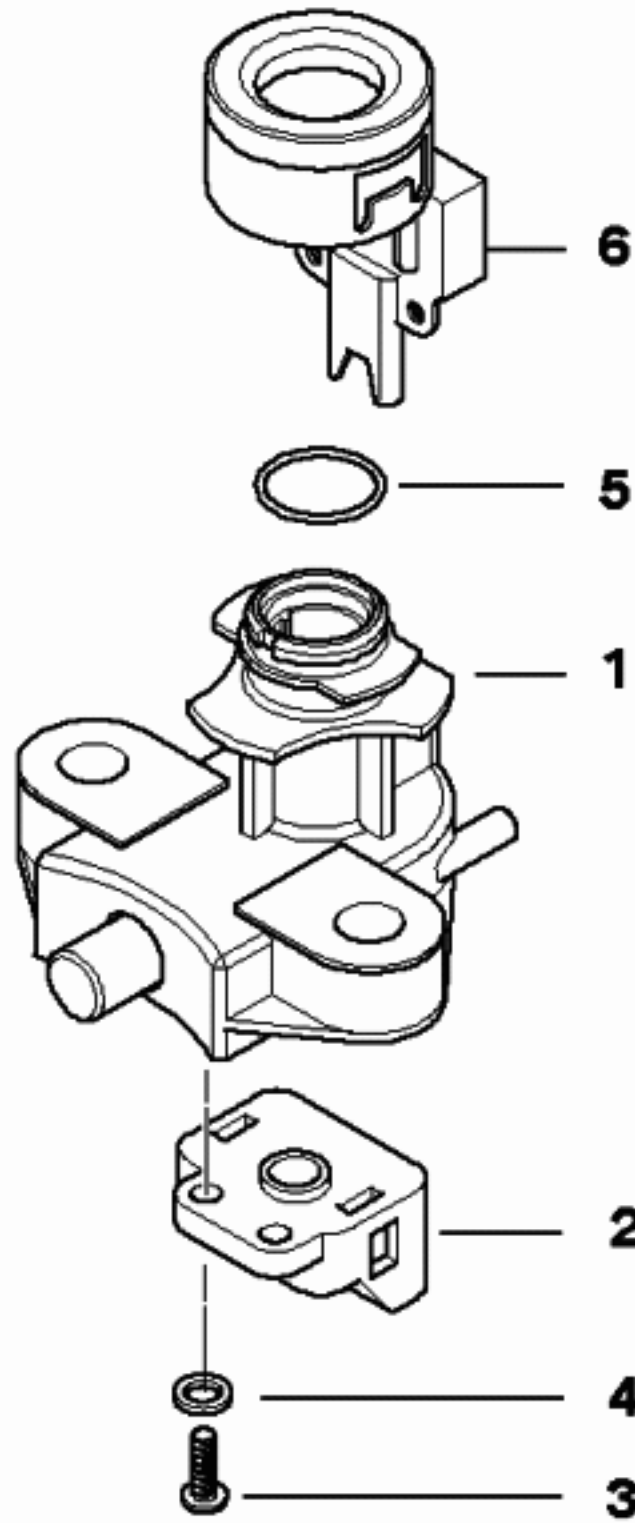
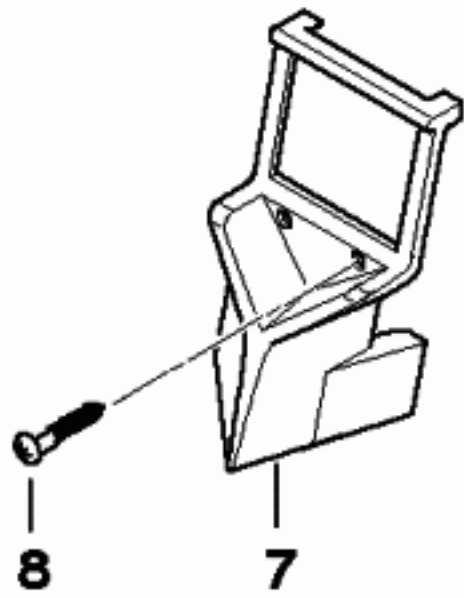
00176447

No	Part Number	Description	Qty 
01	51257700971	set unif.lock.syst.w/ews ctrl unit(code) (USA)	1
02	13617718303	programmed bmsk control unit	1
03	51257681198	general key (code)	1
04	51257681197	spare key (code)	1
05	51257681196	steering lock (with key code)	1
05	51257703004	lock cylinder with vin code	1




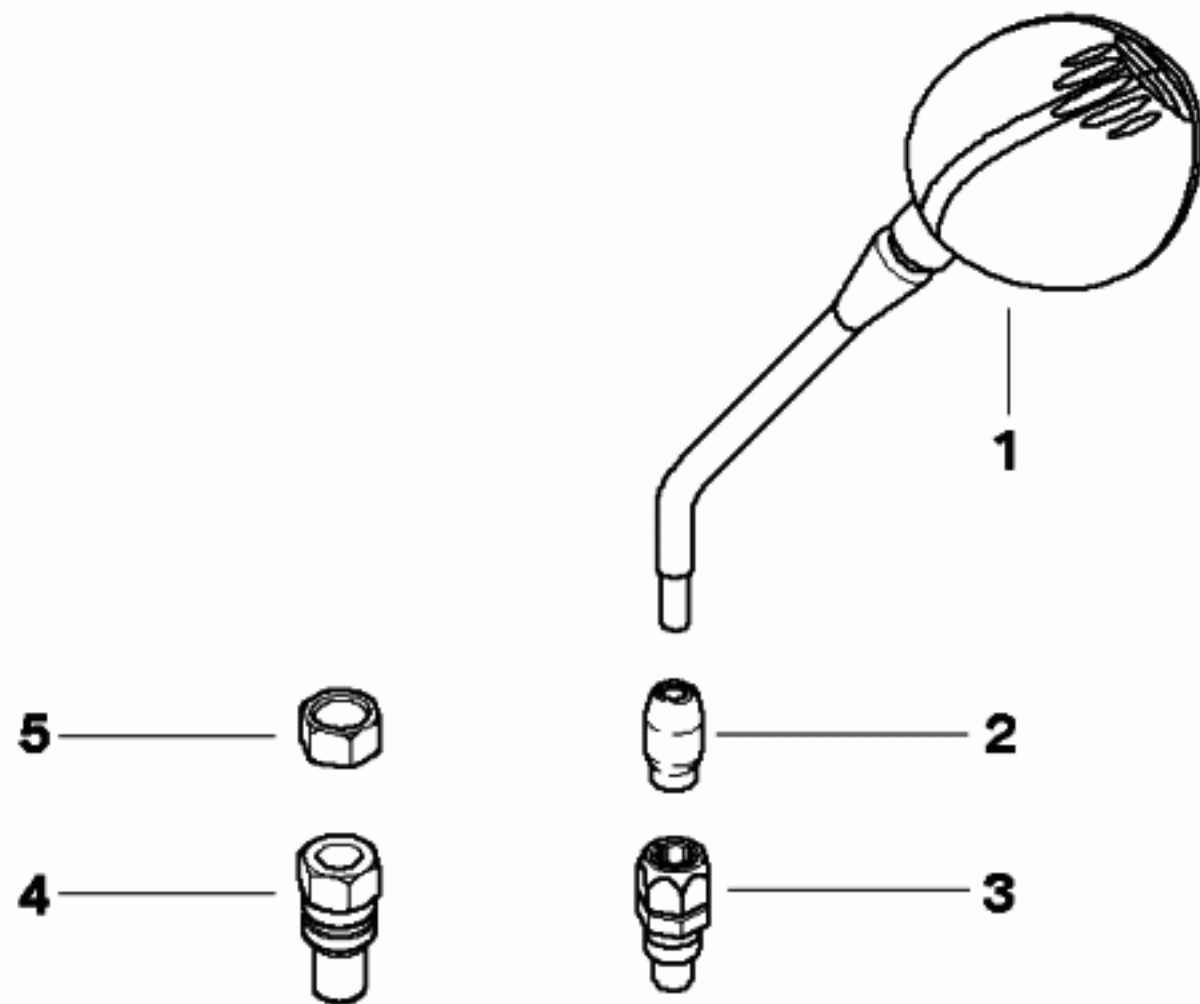
00147632

No	Part Number	Description	Qty 
01	51257700072	steering lock housing	1
02	61317681555	ignition switch	1
02	61317708211	ignition/light switch	1
03	51257705033	securing bolt (M8X40)	2
03	51257711811	lock screw	2
04	07119904919	flat washer	2
05	51252313185	o-ring	1
06	61357717136	ring antenna	1
07	51257677808	covering cap	1




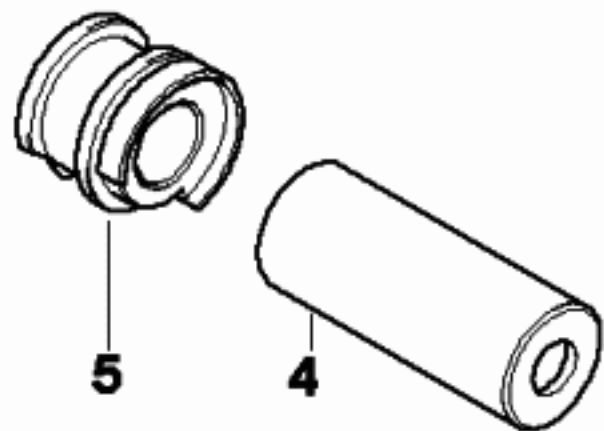
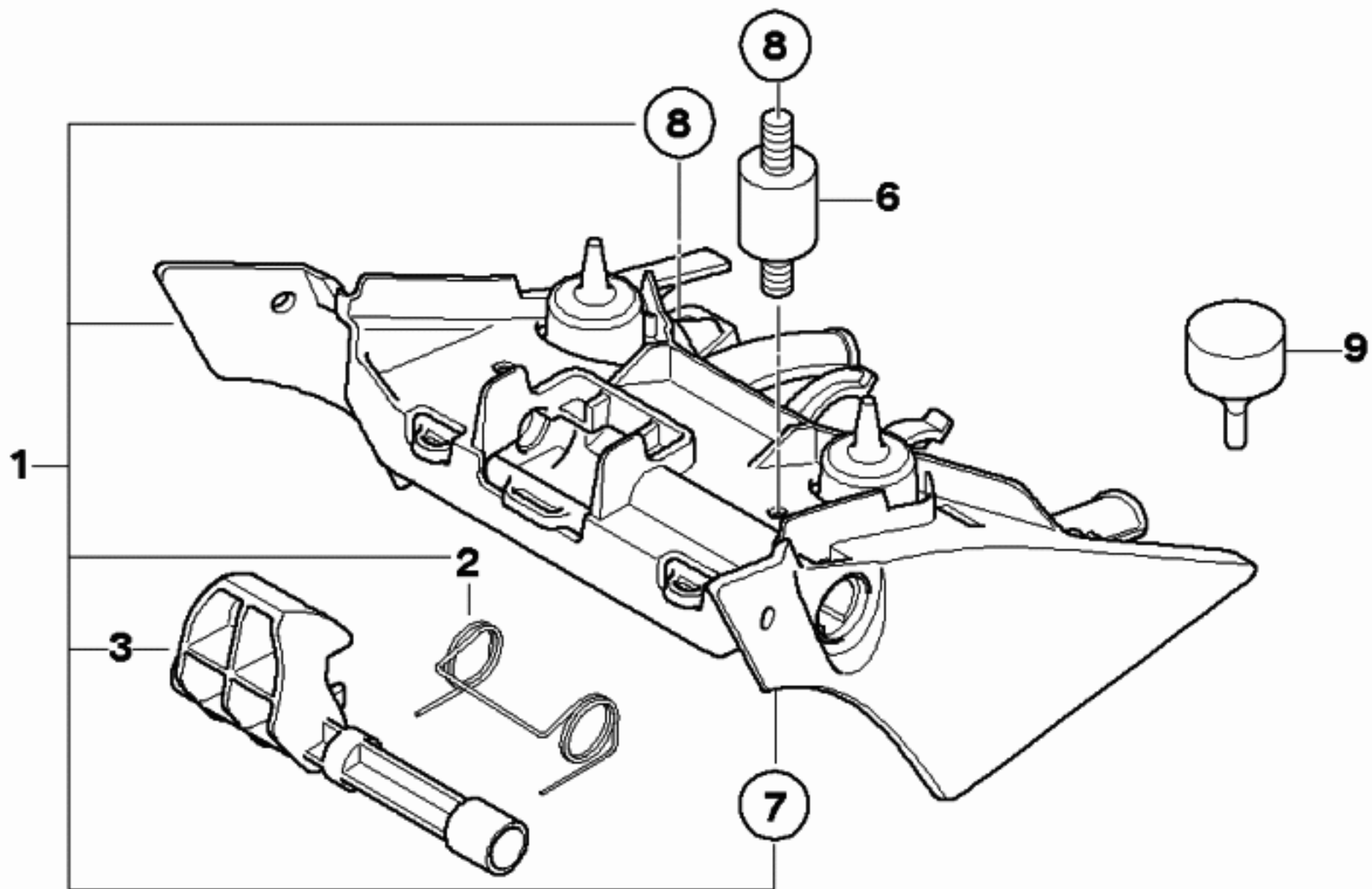
00133110

No	Part Number	Description	Qty 
01	51167715861	mirror left	1
01	51167715862	mirror right	1



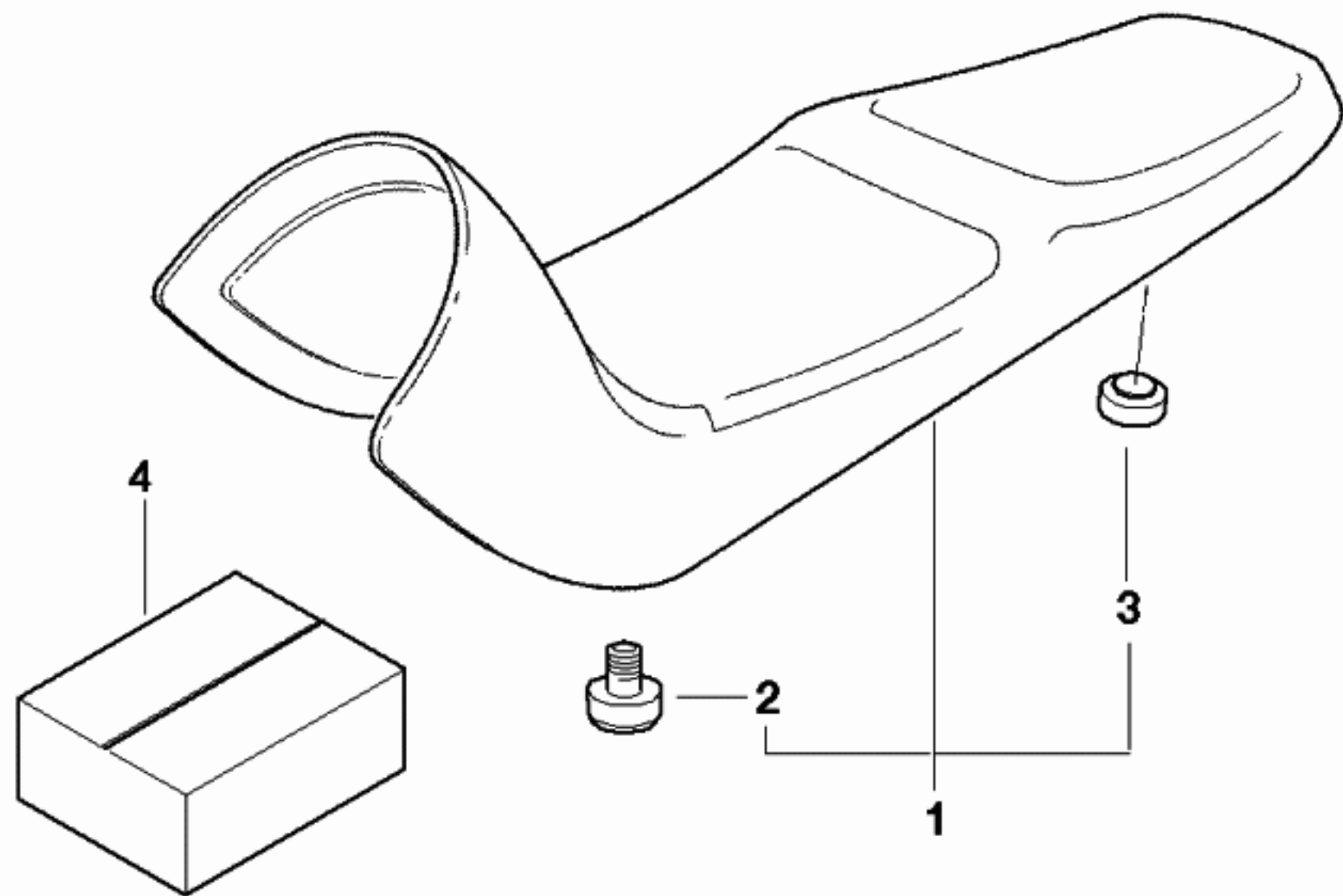
00159345

No	Part Number	Description	Qty 
01	52537705678	seat bench locking system	1
02	46627675422	return spring	1
03	52537687665	locking bracket	1
04	52537700032	rubber mounting left	1
05	52537701034	rubber mounting right	1
06	52537696126	rubber mounting	2
07	46637658638	nut (M5)	2
08	07129904381	hex nut with plate (M5-8-ZNNIV SI)	4
09	52537664664	bump stop	2




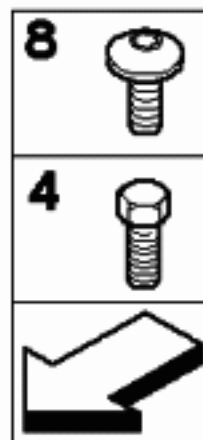
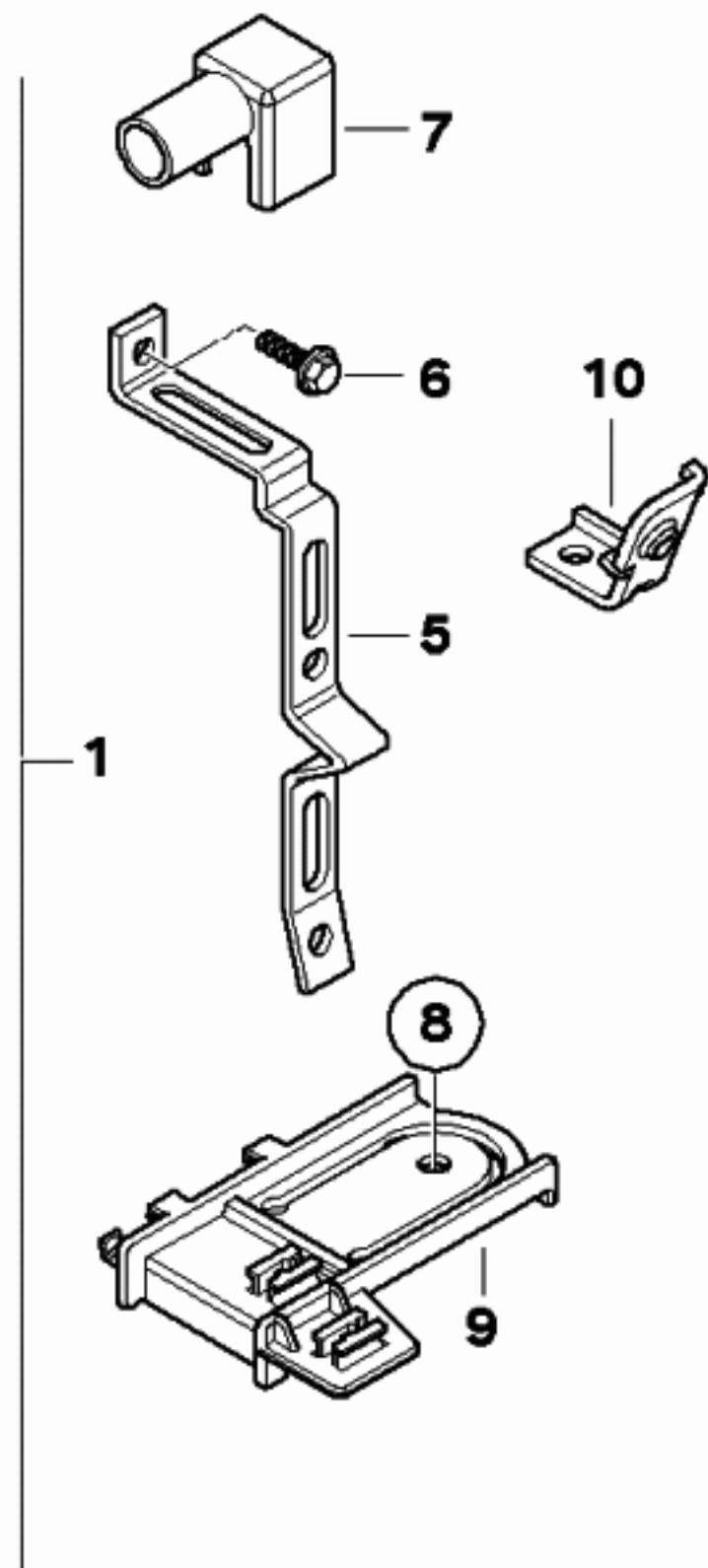
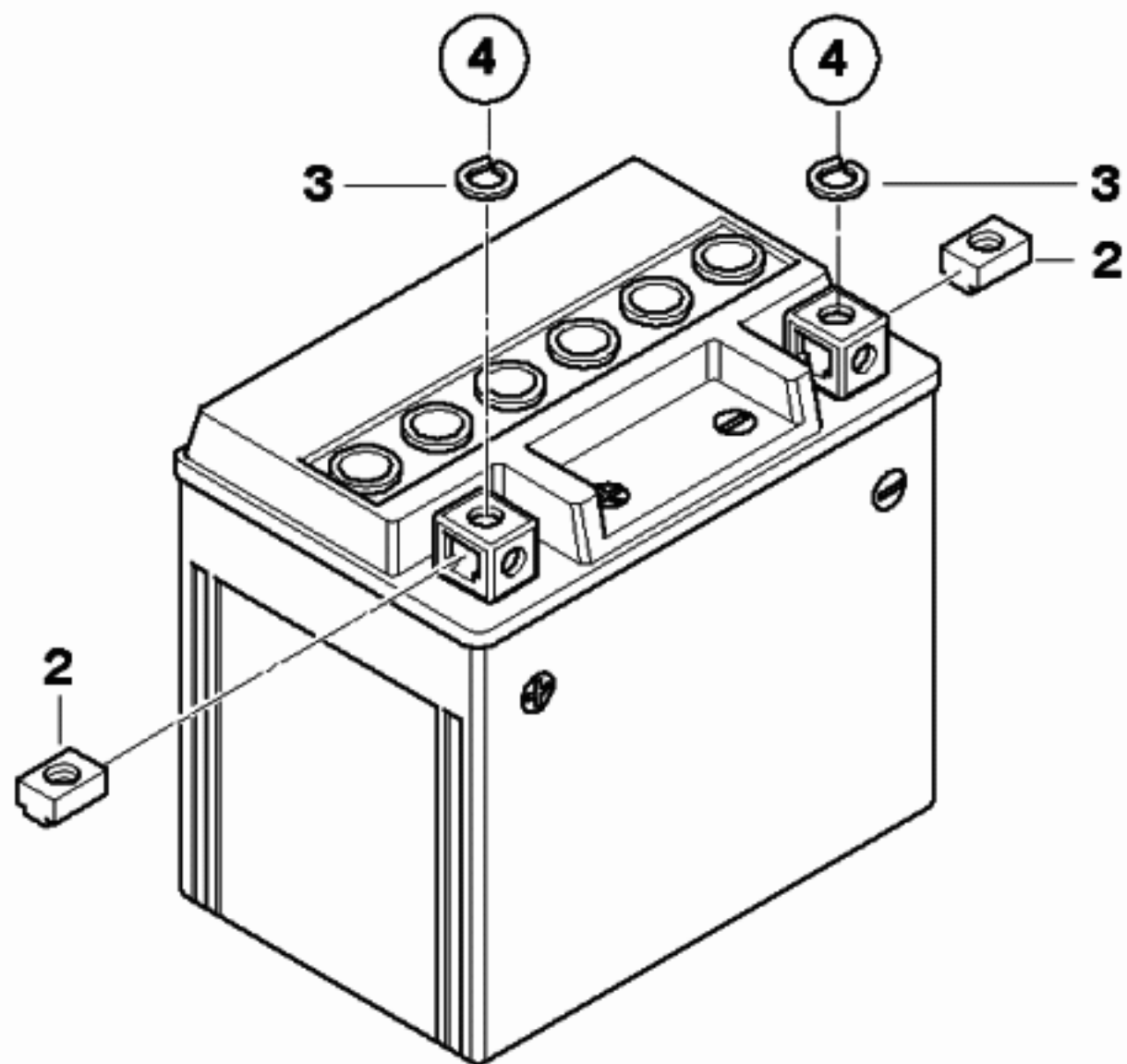
00162897

No	Part Number	Description	Qty 
01	52537695000	seat bench, high, black	1
01	52537695013	seat bench, low, black	1
02	52532307579	bump stop	6
03	52537651036	grommet	2
04	71117698786	car tool	1



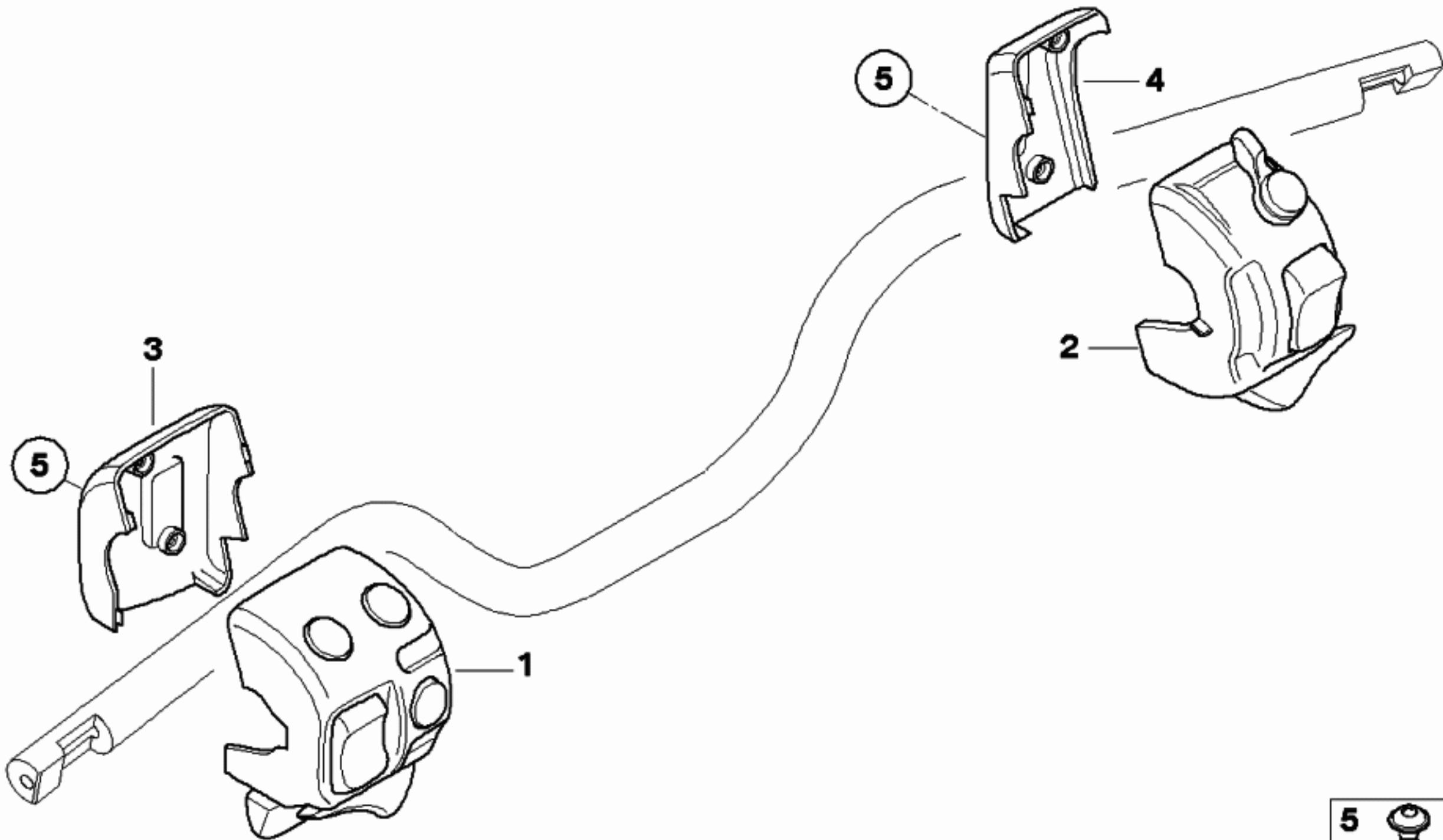
00164486

No	Part Number	Description	Qty 
--	51127070202	clip nut (M6-ZNS3)	1
01	61217705652	battery agm	1
02	61217674522	square nut (M6)	2
03	61211459658	spring washer (B6)	2
04	61217654271	hex bolt (M6X11 PB)	2
08	06327651204	fillister head screw (M6X16 A2)	1
09	61217678697	support	1




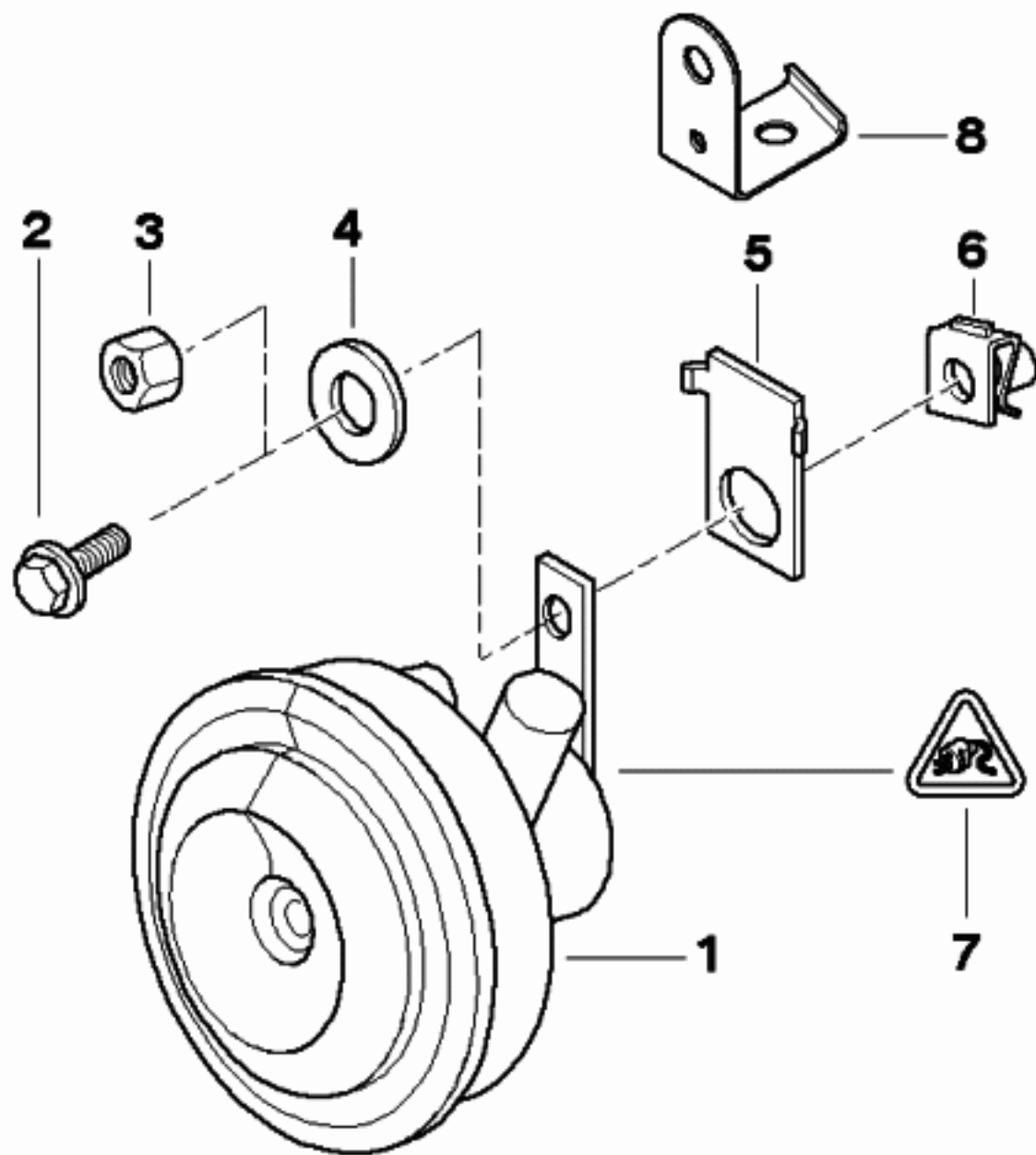
00162415

No	Part Number	Description	Qty 
01	61317704575	combination switch left (INFO)	1
01	61317704615	combination switch left	1
01	61317704620	combination switch left	1
01	61317698453	combination switch left	1
02	61317697742	combination switch right	1
02	61317698424	combination switch f htd handlebar grip	1
03	61317670033	covering cap left	1
04	61317670034	covering cap right	1
05	61317682091	fillister head screw with collar (3X10)	8



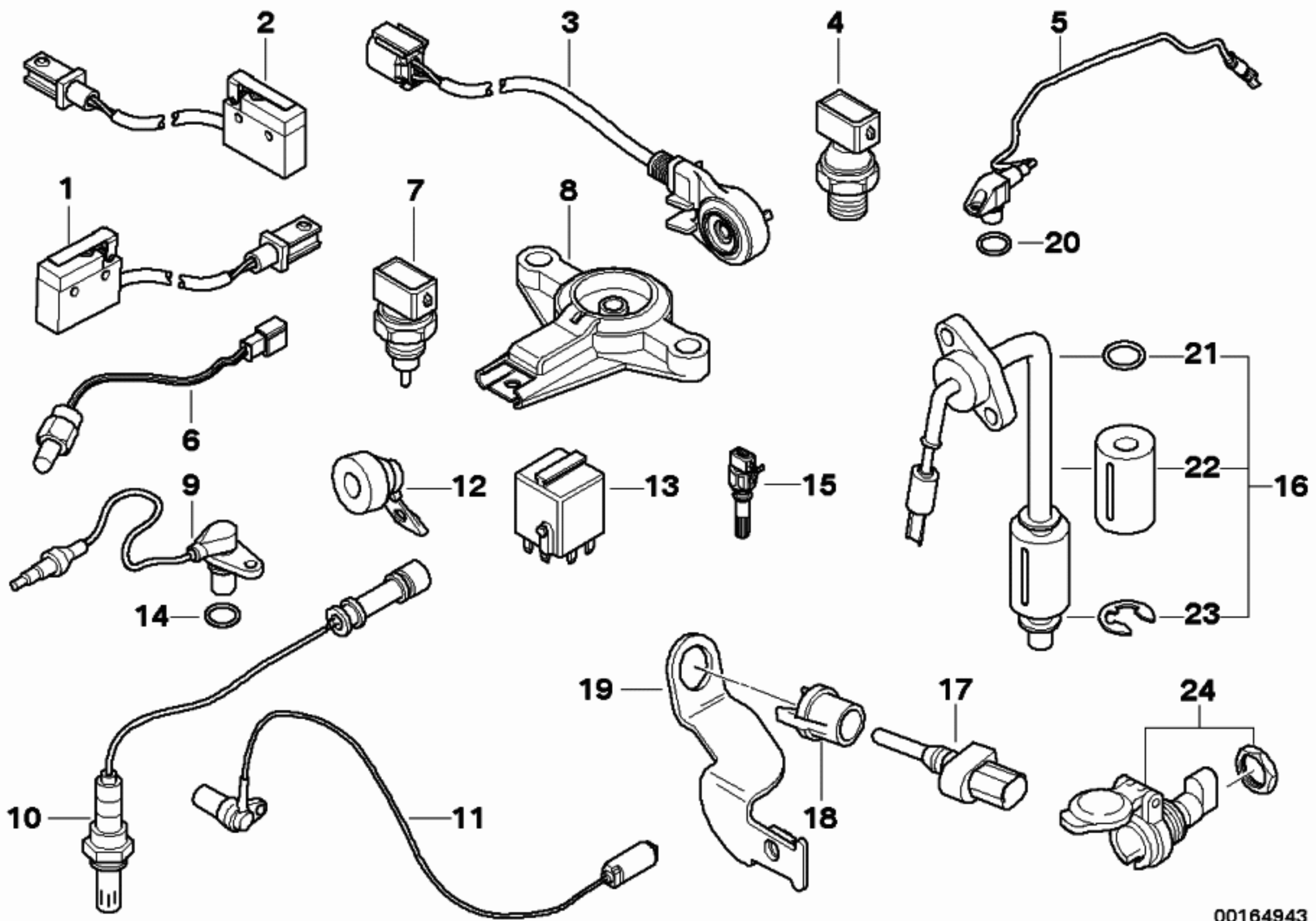
00169940


No	Part Number	Description	Qty 
01	61337691448	horn	1
02	07131166764	torx bolt (M8)	1

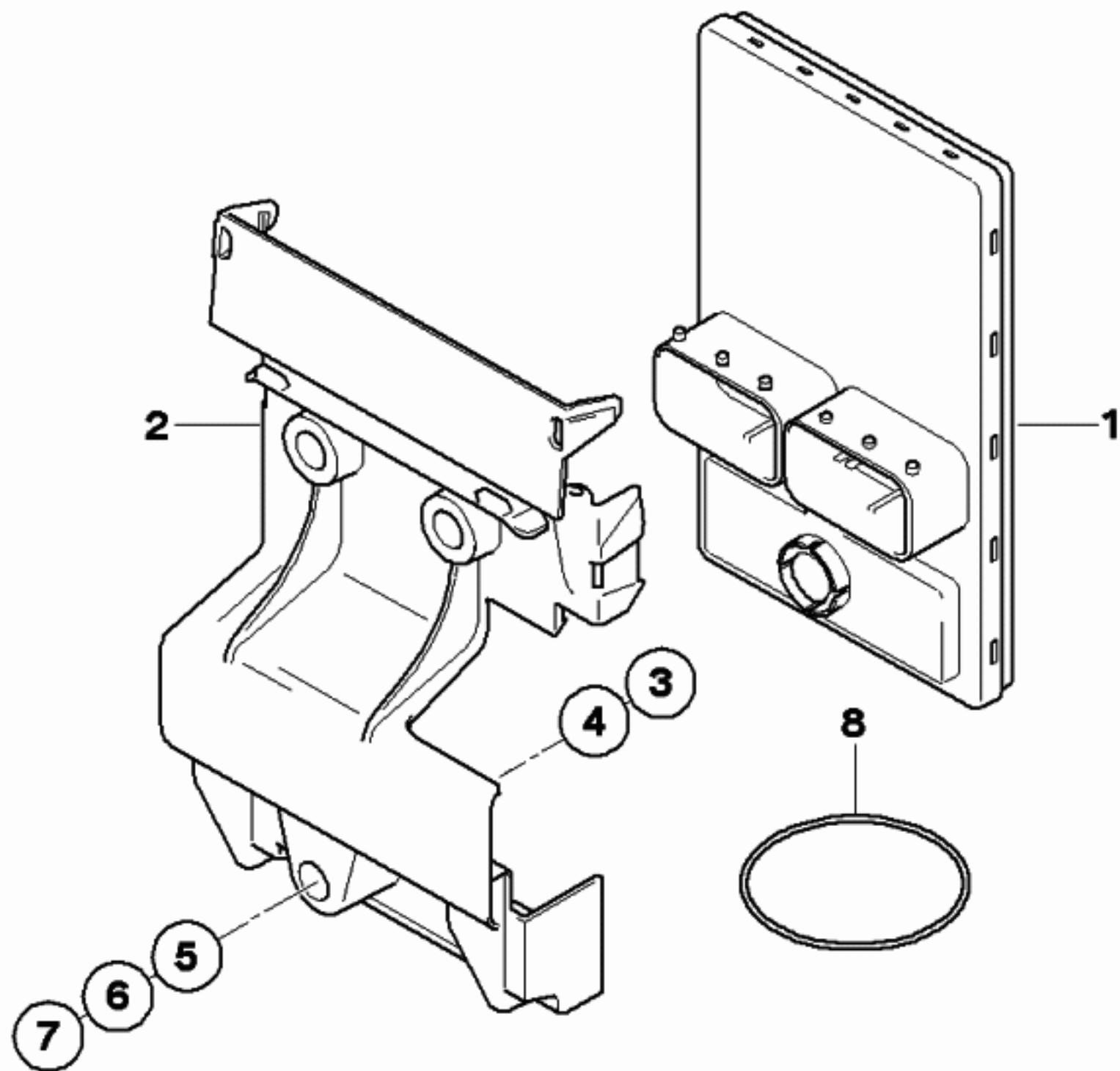


00153026


No	Part Number	Description	Qty 
--	32727673996	adjusting screw	2
--	32727675747	securing bolt	2
--	07129903804	isa screw (M6X10)	1
--	07119902745	nut (M5)	1
--	07119904606	flat washer (6-200 HV-ZNS3)	1
--	23007690404	torx bolt (M6X16)	1
--	23007690404	torx bolt (M6X16)	1
--	51161459068	bump stop	1
--	51161459069	pin	1
--	13621743299	o-ring (8X3)	1
01	61317671111	microswitch	2
02	<a href="#">61312305988</a> 	microswitch	1
03	61317654603	switch, kickstand (L=530MM)	1
04	12617568480	oil pressure switch (M12X1,5)	1
05	12727674201	inductive sensor, crankshaft	1
07	13621433076	temperature sensor water/oil	1
09	12727674768	camshaft speed sensor	1
10	11787672785	oxygen sensor	1
13	61367661503	relay	1
14	12727694010	o-ring (17X2)	1
15	13621739510	temperature sensor air	1
20	12727694011	o-ring (14X2)	1
24	61347694306	plug-in socket	1

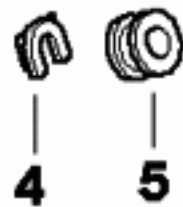
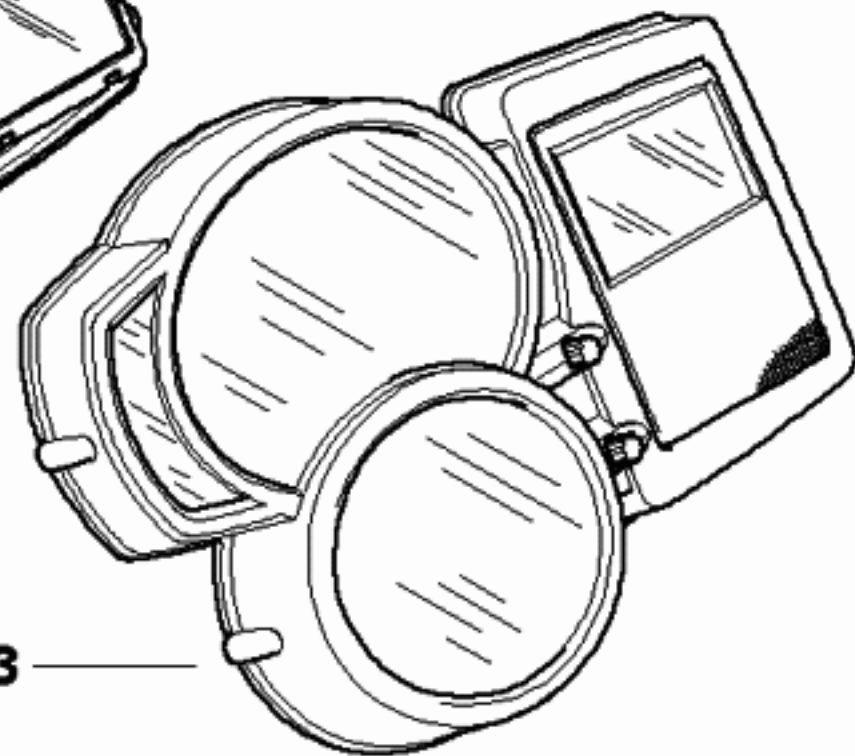
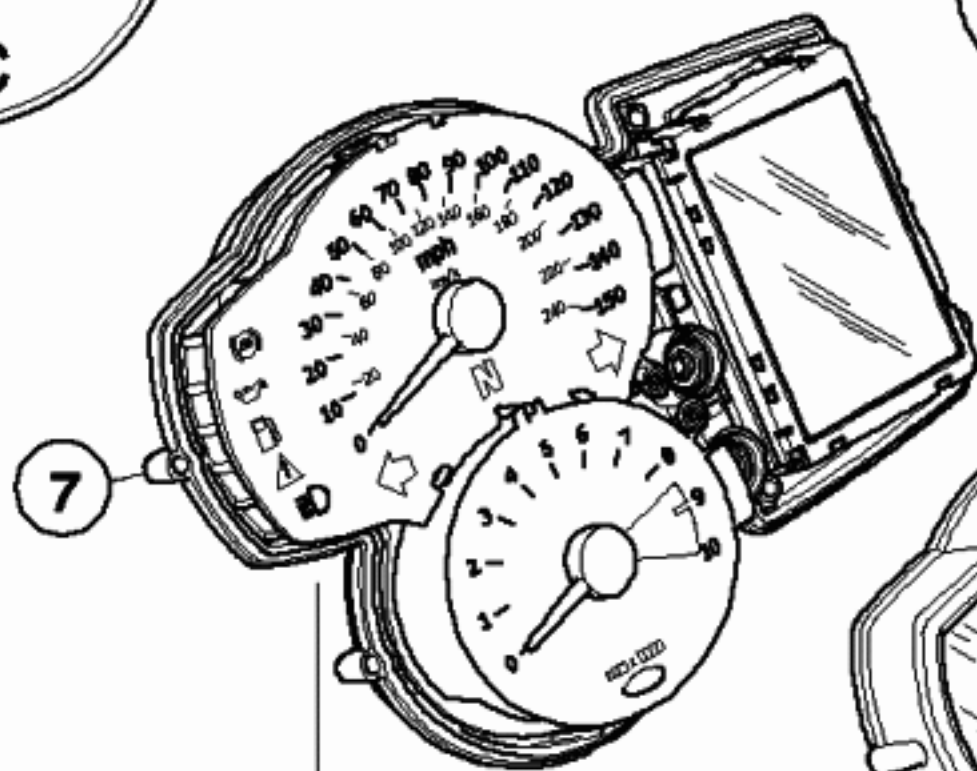
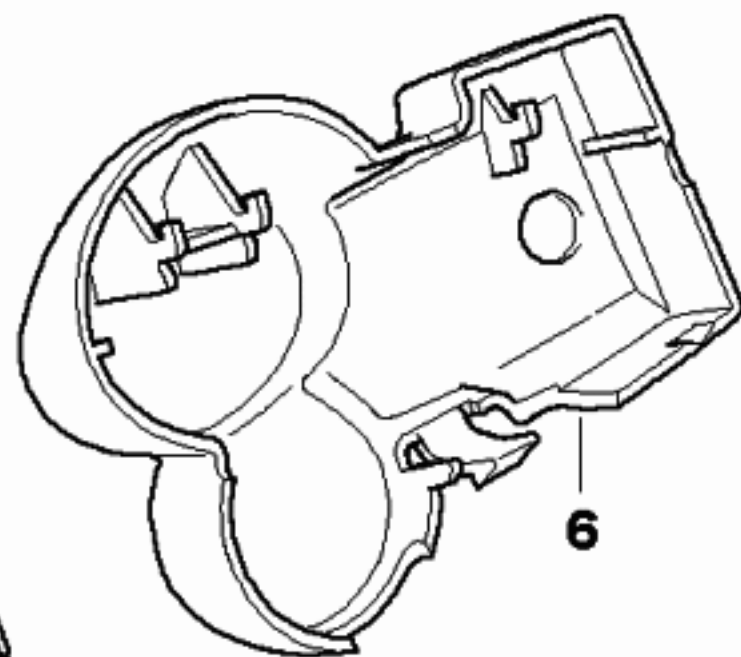
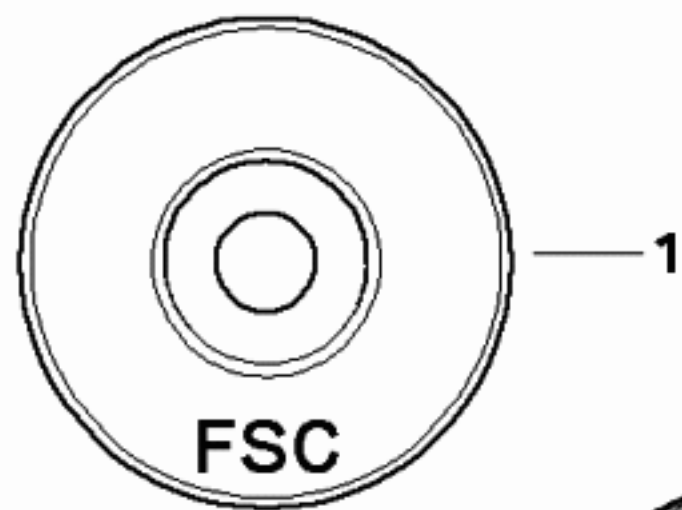


No	Part Number	Description	Qty 
01	61357718033	central vehicle electronics (BASIC LOW 34.0)	1
02	61357699990	bracket	1
03	63127680859	fillister head screw (M6X30)	3
04	07146977329	flat washer (6,4 ZNS3)	3
05	31421232245	rubber grommet	3
06	61357707360	collar bush	3
07	51127070202	clip nut (M6-ZNS3)	3
08	61357684057	o-ring (70X4MM)	1



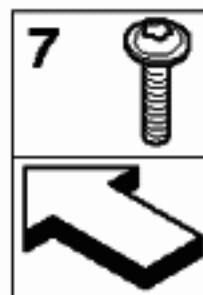
00170130

No	Part Number	Description	Qty 
--	62117701481	instrument cluster (KM/H 30.0)	1
--	62117701482	instrument cluster (MPH 30.0)	1
01	65757704419	activation code repair rdc cd	1
01	65757704420	activation code repair rdc asap	1
02	62117701480	instrument cluster (HIGH I-30.0 US)	1
02	62117701479	instrument cluster (LOW I-30.0 US)	1
02	62117701478	instrument cluster (HIGH I-30.0)	1
02	62117701477	instrument cluster (LOW I-30.0)	1
03	62117712822	instruments combination covering (LOW)	1
03	62117712824	instruments combination covering (HIGH)	1
04	07129902360	lock ring (8-ZNS)	3
05	46631233200	grommet	3
07	62117693137	torx bolt (30X16)	7



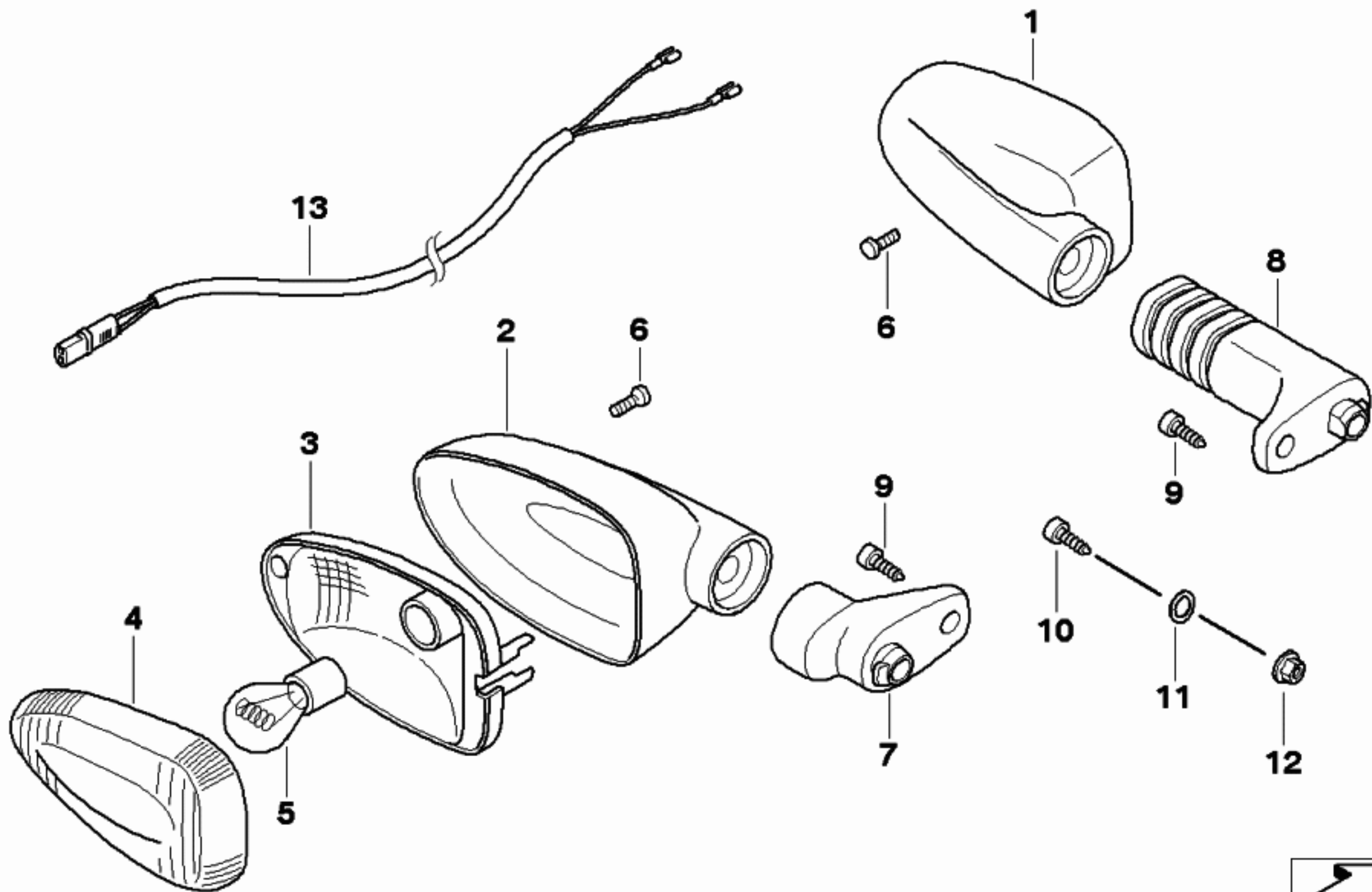
2

3



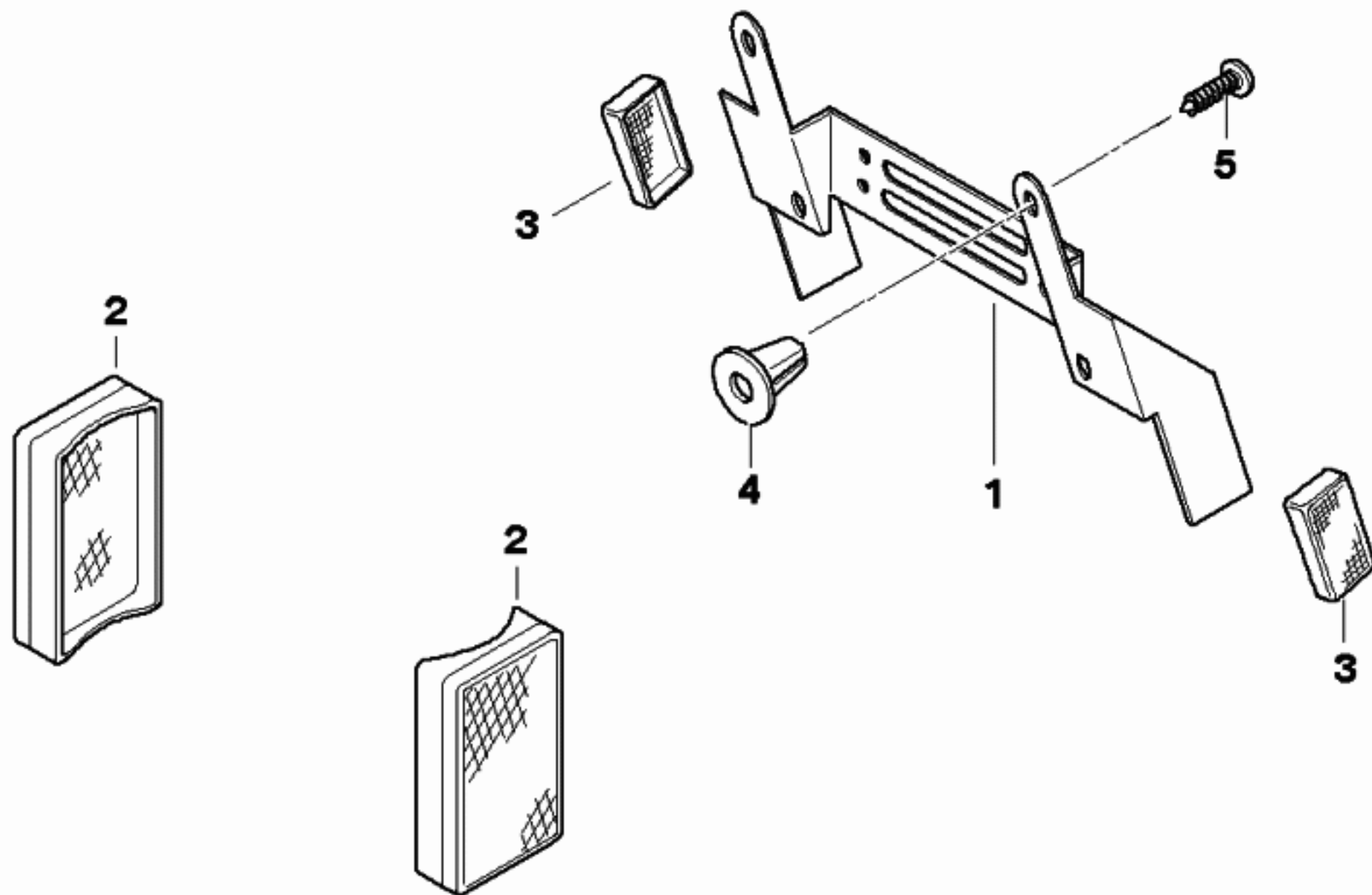
00162006

No	Part Number	Description	Qty
01	<a href="#">63137667771</a>	housing	2
02	<a href="#">63137667772</a>	housing	2
03	63137667777	reflector	4
03	63137684950	reflector (WHITE)	4
04	<a href="#">63137667767</a>	lamp lens	4
04	63137684528	lamp lens (WHITE)	4
05	<a href="#">07119905337</a>	bulb (12V 10W)	4
05	63217169203	bulb (12V 10W)	4
06	63137654275	fillister head screw (D=2,9X25)	4
07	63137676316	turn indicator holder	4
10	11117653180	fillister head screw (M6X20)	4
12	07129900191	self-locking hex nut (M6)	2
13	61127699594	connection cable	1



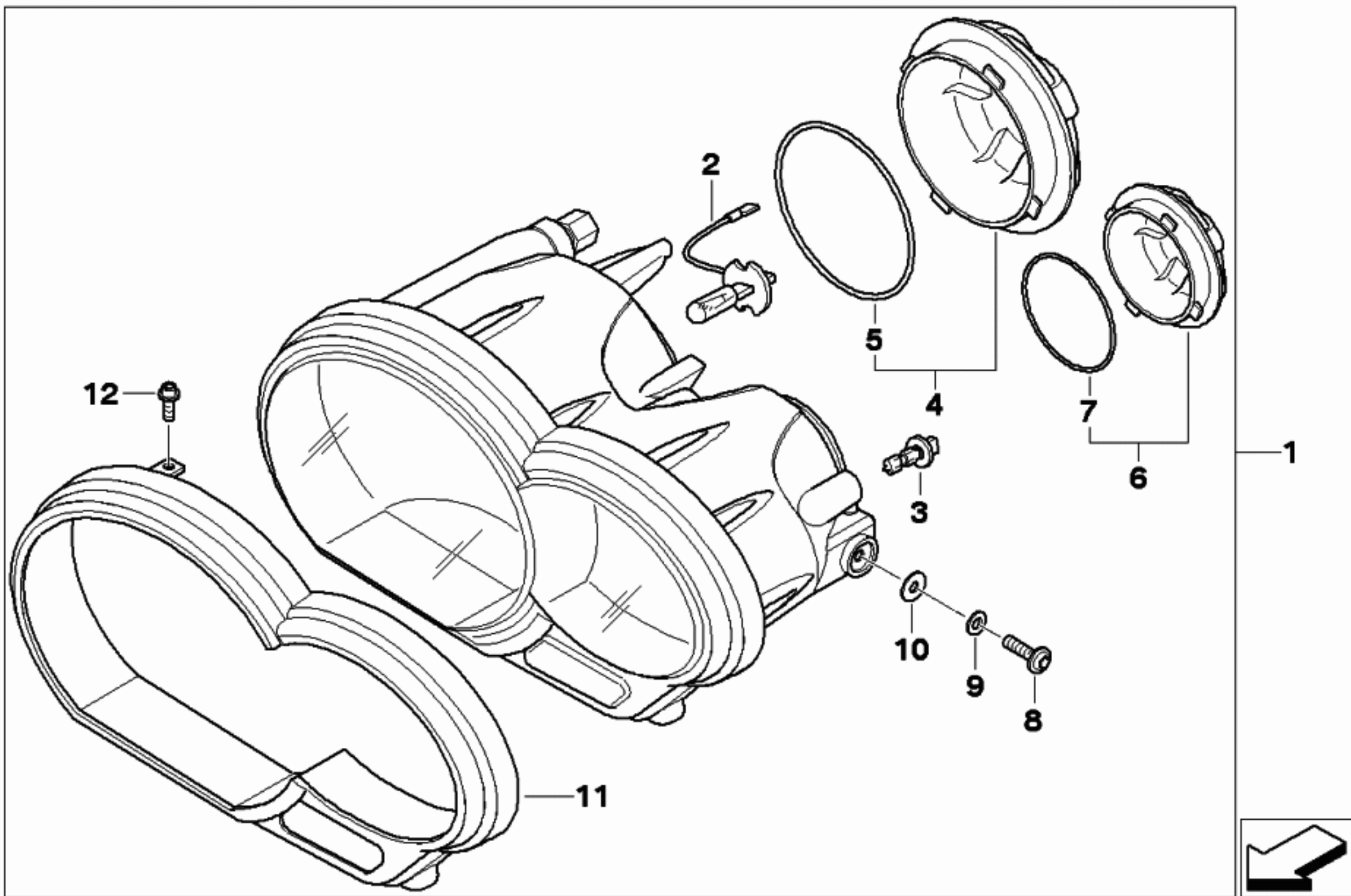
00164999

No	Part Number	Description	Qty 
02	63147671350	side marker (YELLOW)	2
03	63147671349	side marker (RED)	3



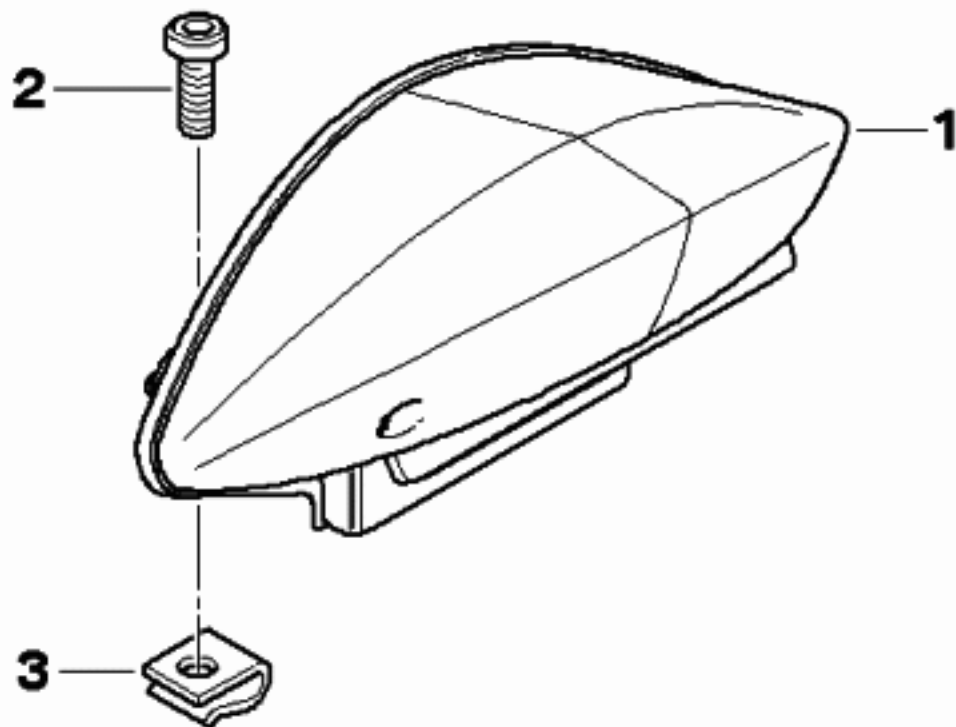
00161107

No	Part Number	Description	Qty 
01	63127697751	headlight	1
01	63127697752	headlight (LV/RHD)	1
02	63217160780	bulb (12V 55W H7)	2
03	63217160797	longlife bulb (12V 5W)	1
04	63127698600	headlight cover (D=70)	1
05	63127697761	gasket (D=70)	1
06	63127698599	headlight cover (D=50)	1
07	63127697762	gasket (D=50)	1
08	63127698303	fillister head screw (M8X16)	2
09	07119903292	flat washer (8,4-140 SW)	2
10	63127696407	rubber washer (D=10)	2
11	63127697757	headlight cover	1
12	63127692386	torx bolt (3,0X10)	2




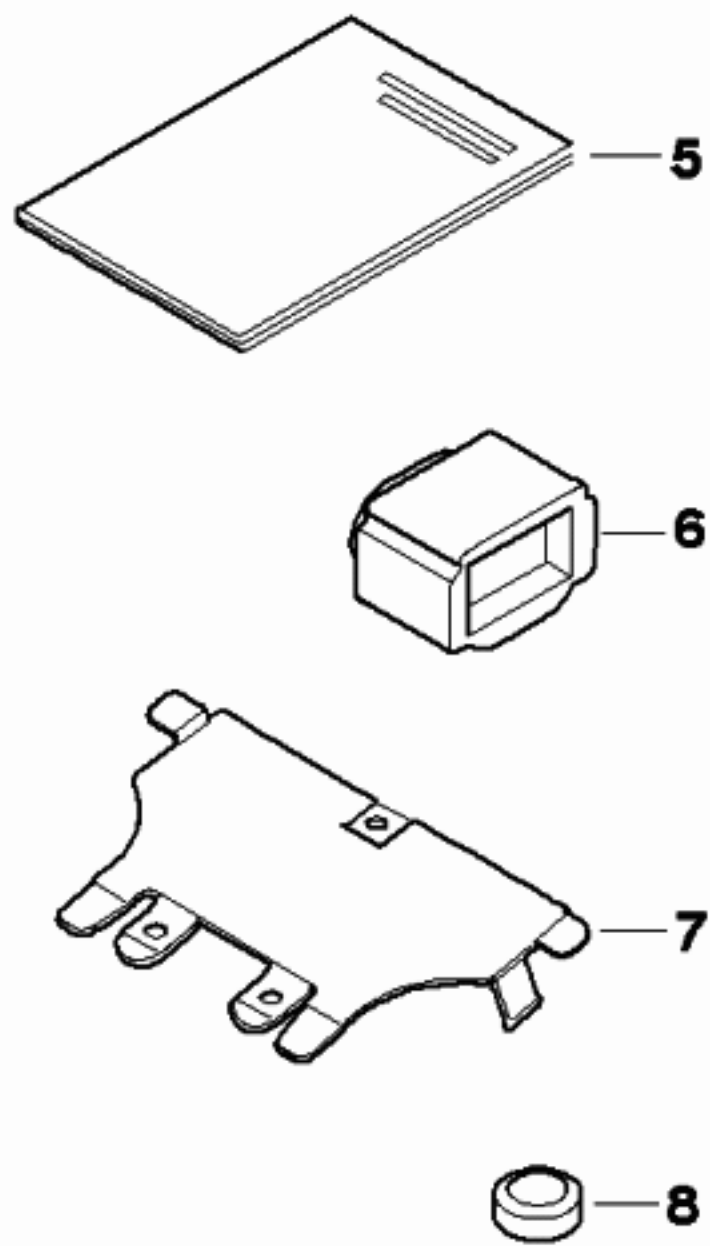
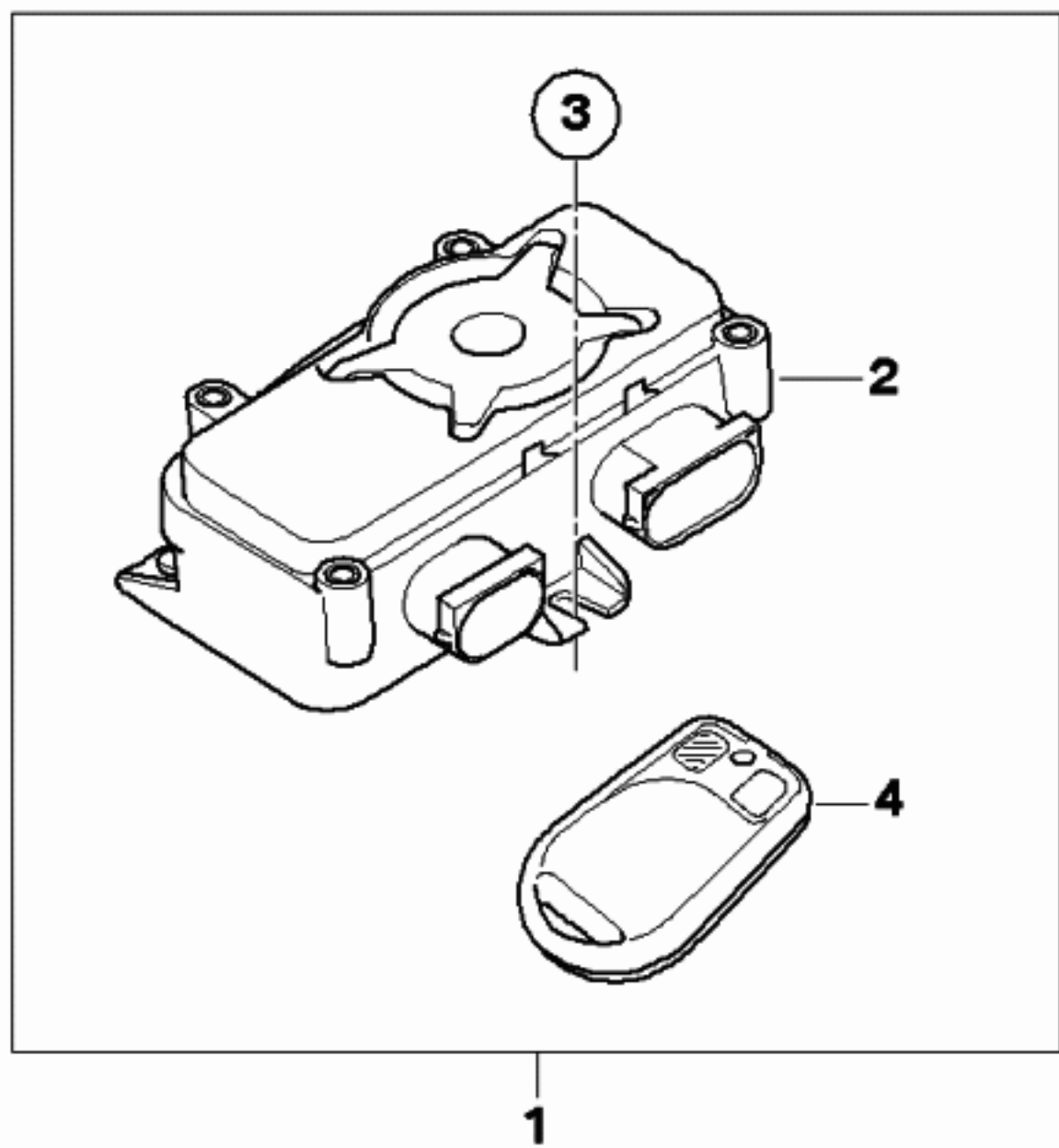
00170134

No	Part Number	Description	Qty 
01	63217703801	tail light, led (ECE)	1
02	06327651211	fillister head screw (M5X12)	2
03	46637658638	nut (M5)	2



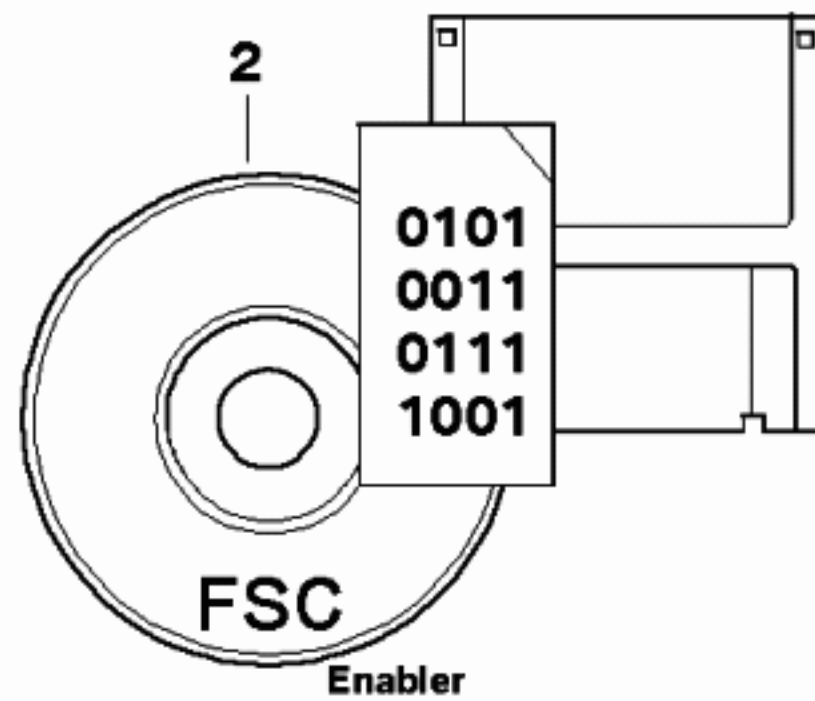
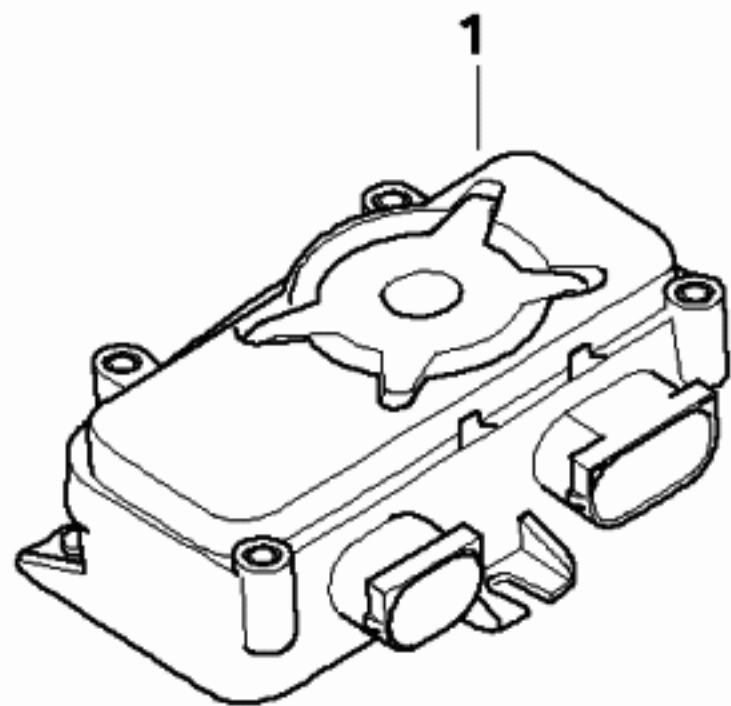
00174568

No	Part Number	Description	Qty 
--	62217670749	grommet	1
--	01477712207	operating instructions, alarm systems (EN US)	1
01	65757715287	retrofit kit, theft alarm	1
02	65757713340	control unit for alarm system/rdc (433MHZ) - Up to 03/2008	1
02	65757718057	control unit for alarm system/rdc (433MHZ) - 03/2008 and above	1
03	07147119858	screw (4X10,5)	3
04	65752337407	transmitter (433 MHZ)	2
06	61137668405	resistor (120 OHM)	1
07	65757707271	bracket	1
08	65752337504	battery (3V)	1




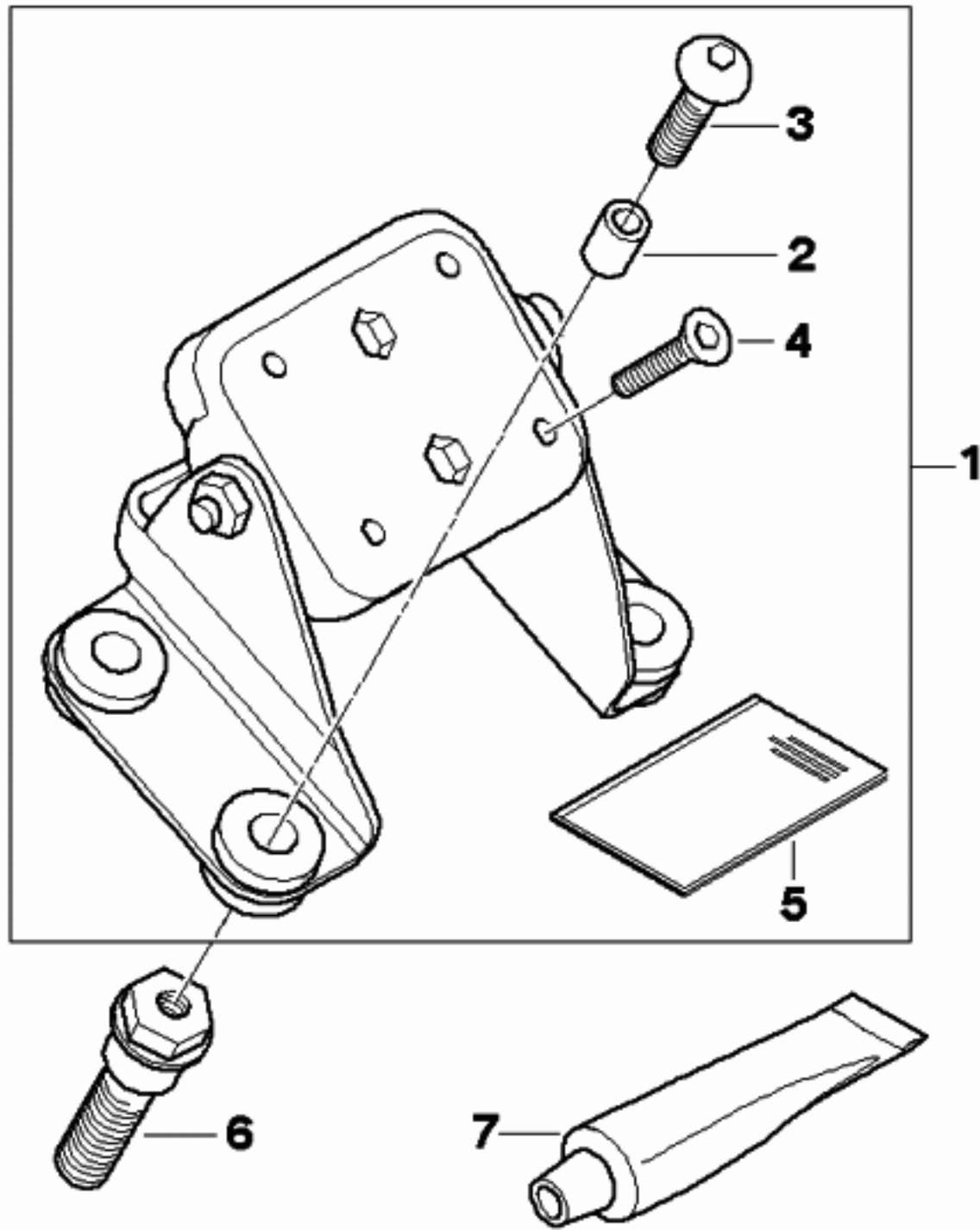
00176467

No	Part Number	Description	Qty 
01	65757713340	control unit for alarm system/rdc (433MHZ)	1
01	65757707330	control unit rdc	1
01	65757715794	control unit rdc	1
02	65757704419	activation code repair rdc cd	1
02	65757704420	activation code repair rdc asap	1



00162480

No	Part Number	Description	Qty 
--	07559062476	paste mp 3 (100G)	1
01	71607697785	set of retaining fixture, navigator	1
02	71607680518	spacer bush (5,3X8X9)	4
03	46637686286	flanged cap screw (5X16)	4
04	72607687735	countersunk head screw (M4X25)	4
05	01297697801	inst. instr., holder navigator	1
06	32717652161	screw (M8X30)	4
07	07559062476	paste mp 3 (100G)	1



00166831