



Parts Manual

Model Sheet-Sav™ Push/Pull

Serial Number 45E-PAB-149

cascade®
corporation

For Technical Assistance call: 800-227-2233, Fax: 888-329-8207

To Order Parts call: 888-227-2233, Fax: 888-329-0234

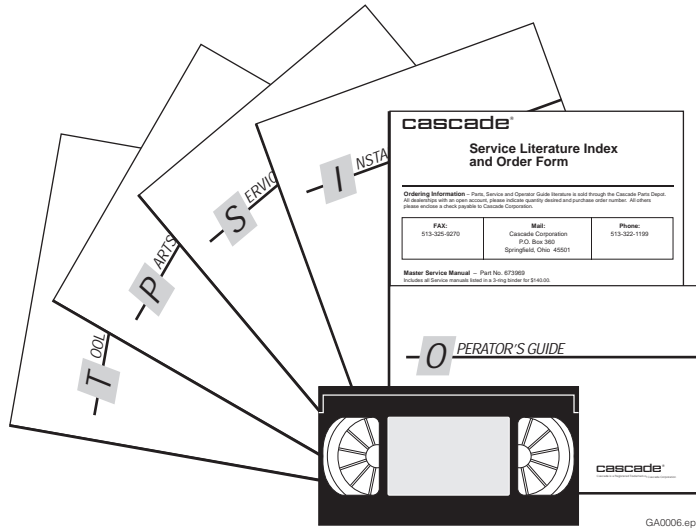
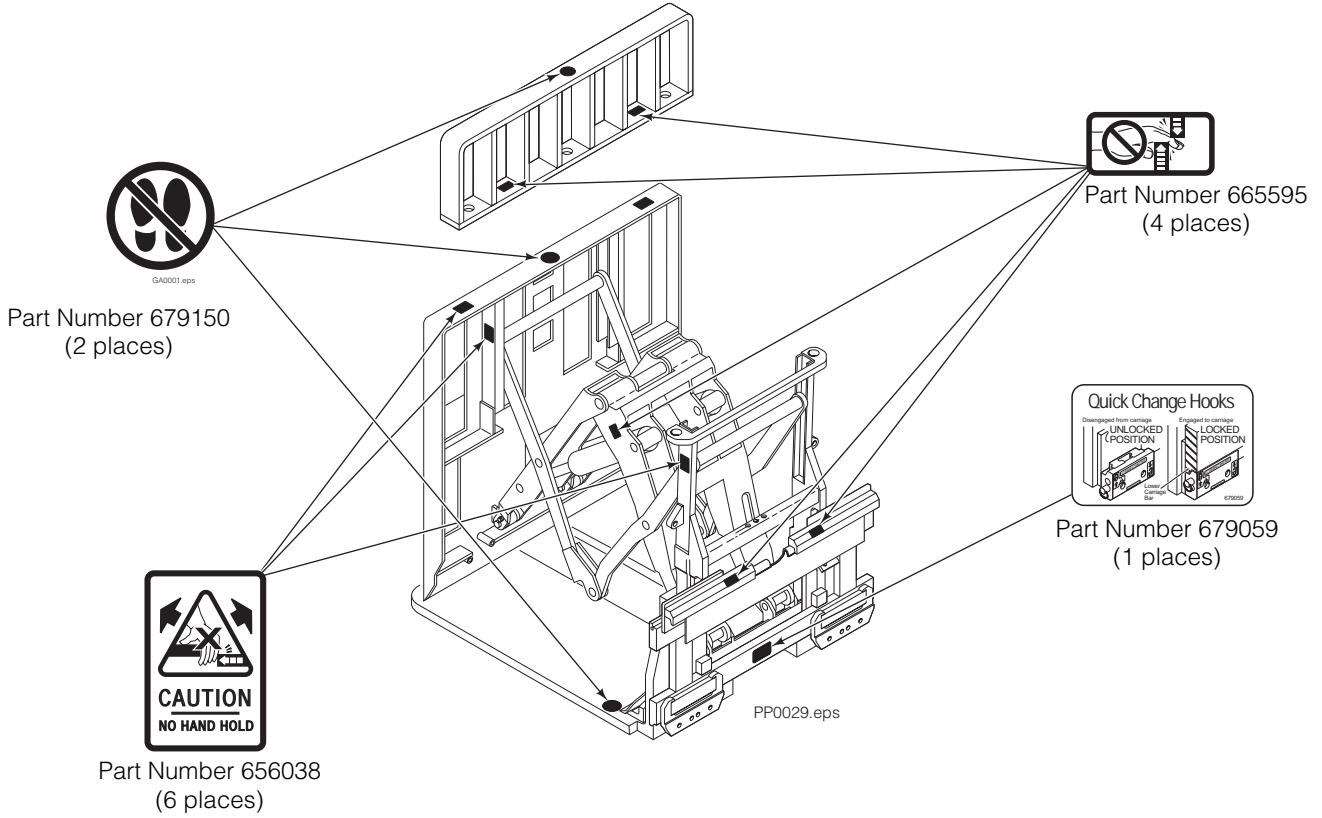
OR

Write: Cascade Corporation, P.O. Box 20187, Portland, OR 97220

Internet: www.cascorp.com

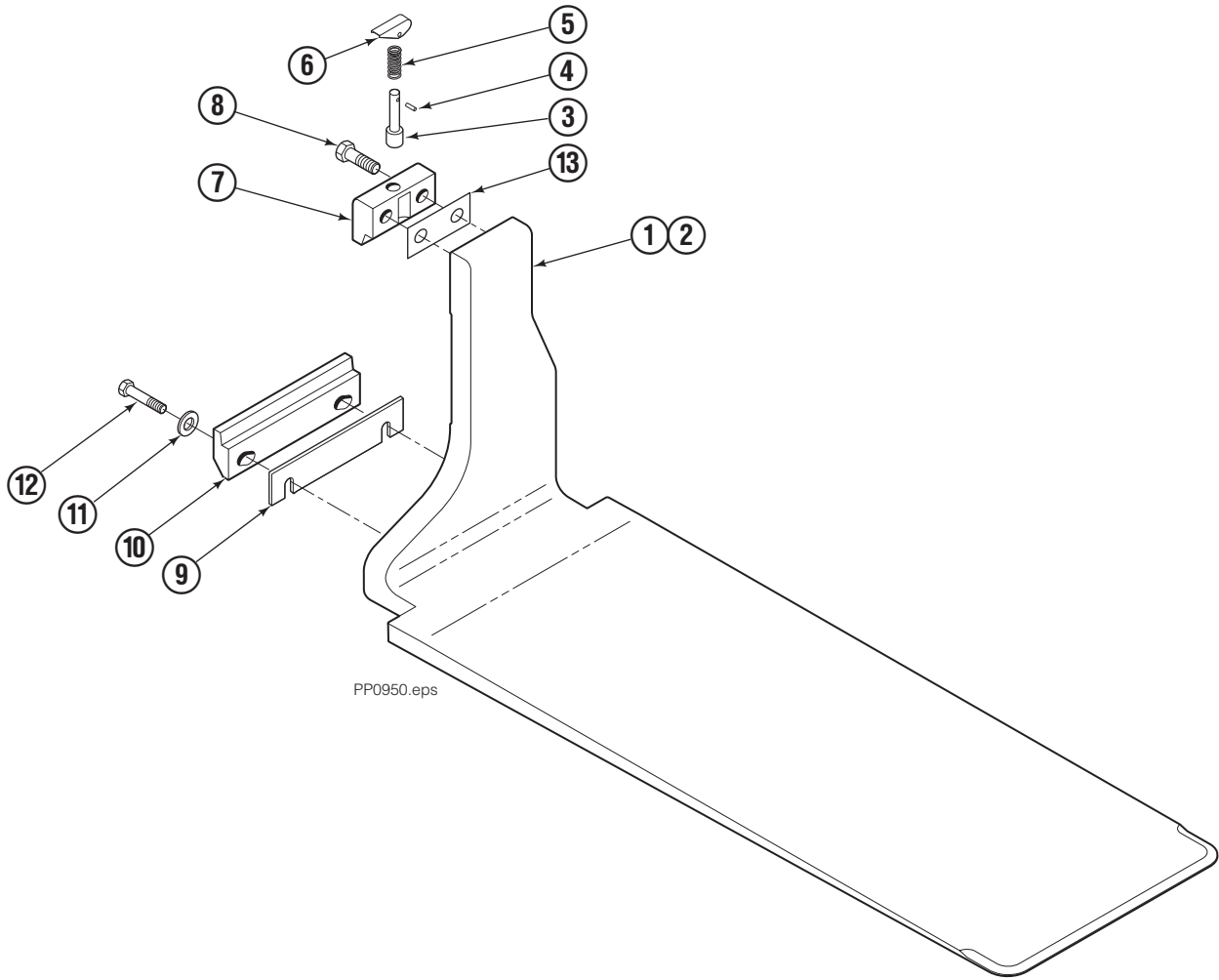
Decals

35E/45E Sheet-Sav



PART NO.	DESCRIPTION
	Parts Manual
686455	Service Manual
684945	Operators Guide
685531	Operators Pocket Guide
684944	Installation Instructions
680664	Servicing Cascade Cylinders-VHS
679929	Tool Catalog
673964	Literature Index Order Form

Platen Group

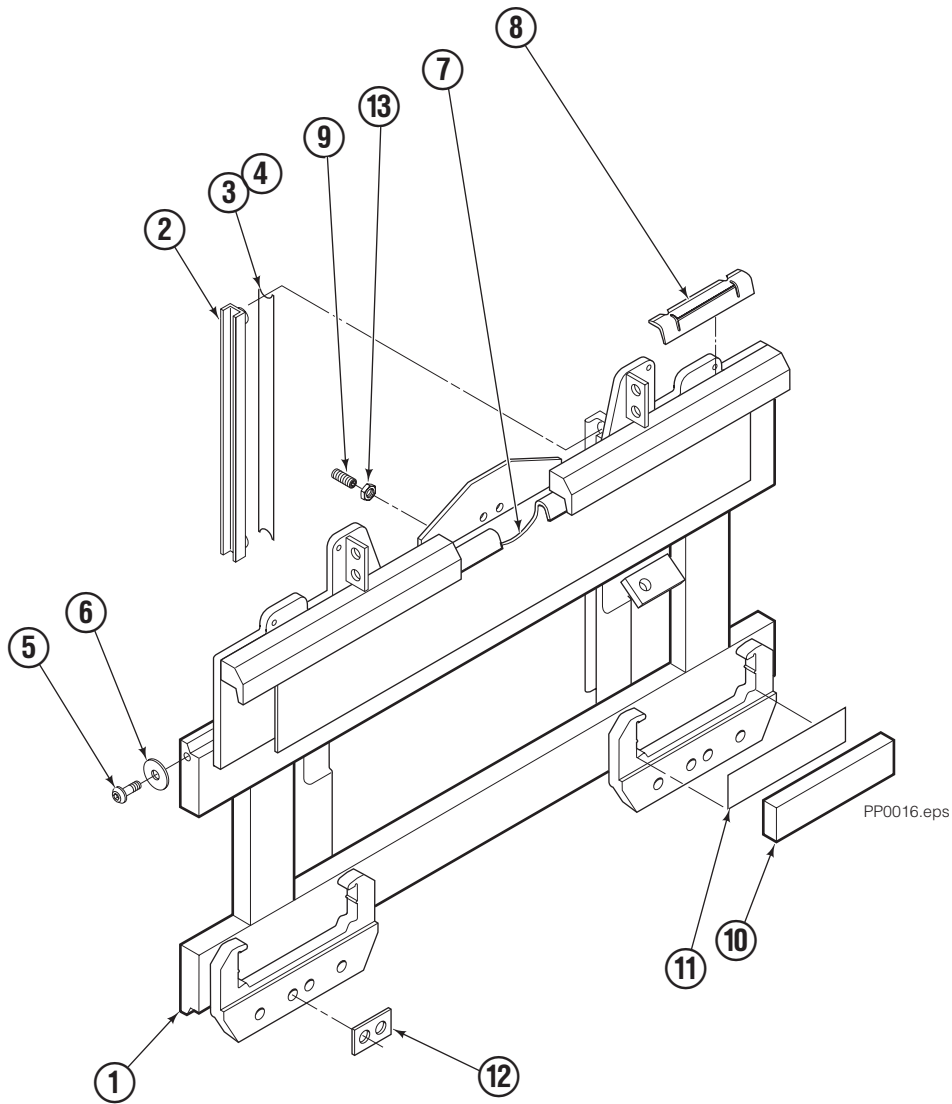


PP0950.eps

REF	QTY	PART NO.	DESCRIPTION
		6064364	Platen Group
1	1	6064366	Platen - LH
2	1	6064365	Platen - RH
3	2	622907	◆ Pin
4	2	8007	◆ Rivet
5	2	622908	◆ Spring
6	2	622897	◆ Handle
7	2	685533	◆ Upper Hook
8	4	685534	Capscrew, M16 x 50
9	■	206969	Shim (.030)
10	2	682851	Lower Hook
11	4	667225	Washer
12	4	779010	Capscrew, M16 x 35
13	●	688379	Shim (.060)

- ◆ Included in Upper Hook Assembly 688386.
- As required for proper adjustment.
- As required (2 maximum).

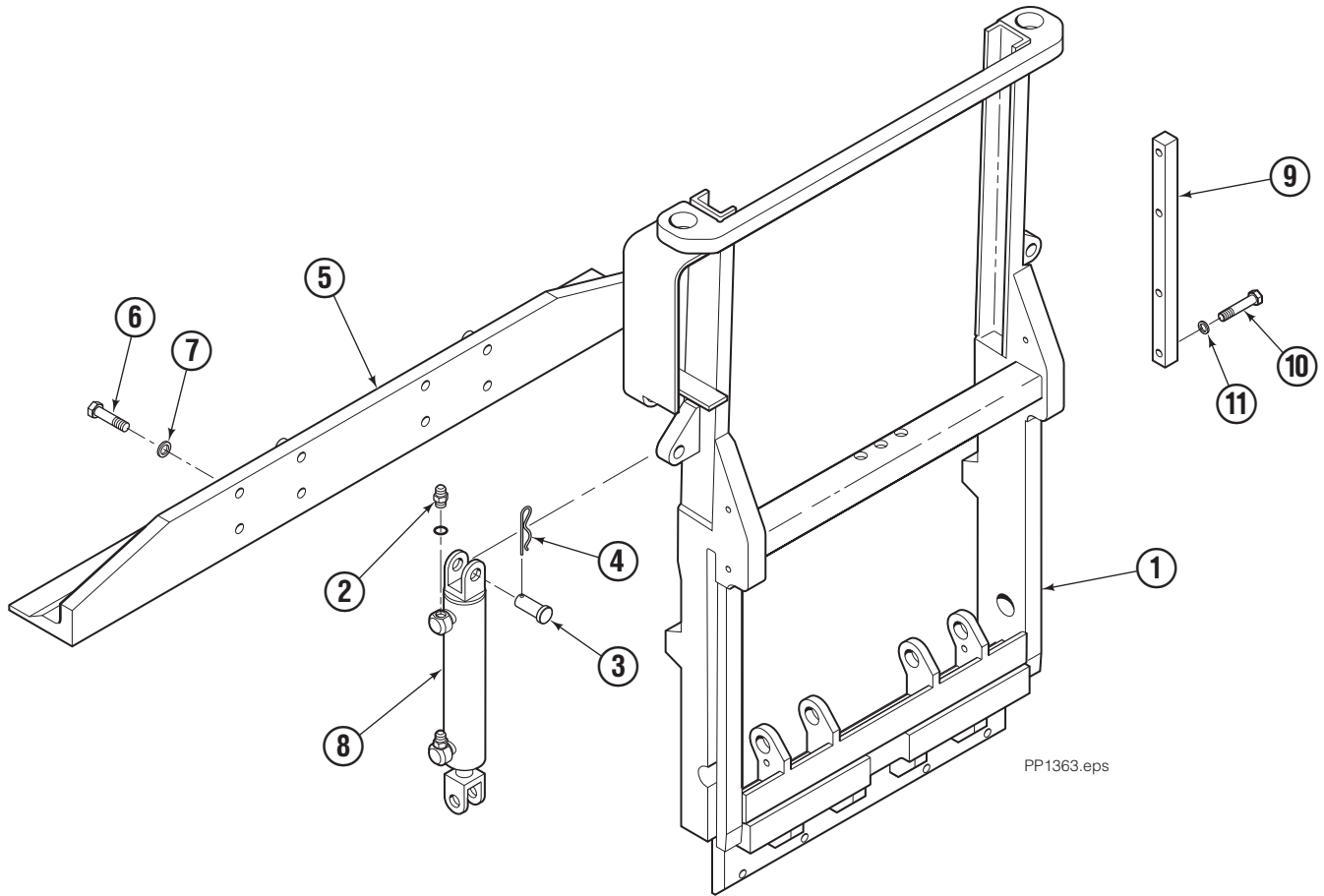
Non S/S Platen Carrier Group ITA III



35E/45E			
REF	QTY	PART NO.	DESCRIPTION
		6072981	Platen Carrier Group
1	1	6064776	Platen Carrier
2	2	6079205	Bearing
3	■	674298	Shim (.015)
4	■	674299	Shim (.020)
5	2	683142	Capscrew
6	2	683001	Washer
7	1	682552	◆ Anchor Bracket
8	2	672018	◆ Bearing
9	2	768759	◆ Setscrew
10	2	682814	◆ Bearing
11	2	683250	◆ Strip
12	2	683218	◆ Spacer
13	2	688387	Jam Nut

■ As required, maximum 1 per side.
 ◆ Included in Mounting Group 6042251.
 Reference: SK-5385.

Frame Group

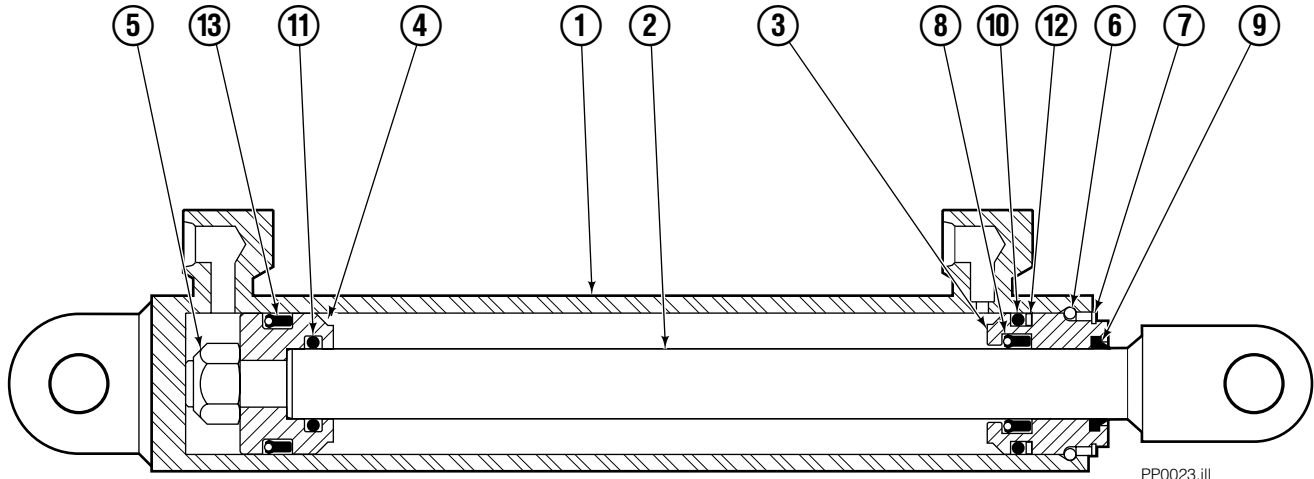


PP1363.eps

35E/45E			
REF	QTY	PART NO.	DESCRIPTION
		6061450	Frame Group
1	1	6063208	Frame
2	4	617915	Fitting, 4-4
3	4	678525	Clevis Pin
4	4	672726	Cotter Pin
5	1	206955	Foot
6	8	766929	Capscrew, M12 x 40
7	8	678991	Lockwasher, M12
8	2	583942	Cylinder ♦
9	1	206954	Bar
10	2	768525	Capscrew, M8 x 40
11	2	686119	Lockwasher, M8

♦ See Cylinder page for parts breakdown.
Reference: SK-5986, SK-8713.

Sheet-Sav Cylinder



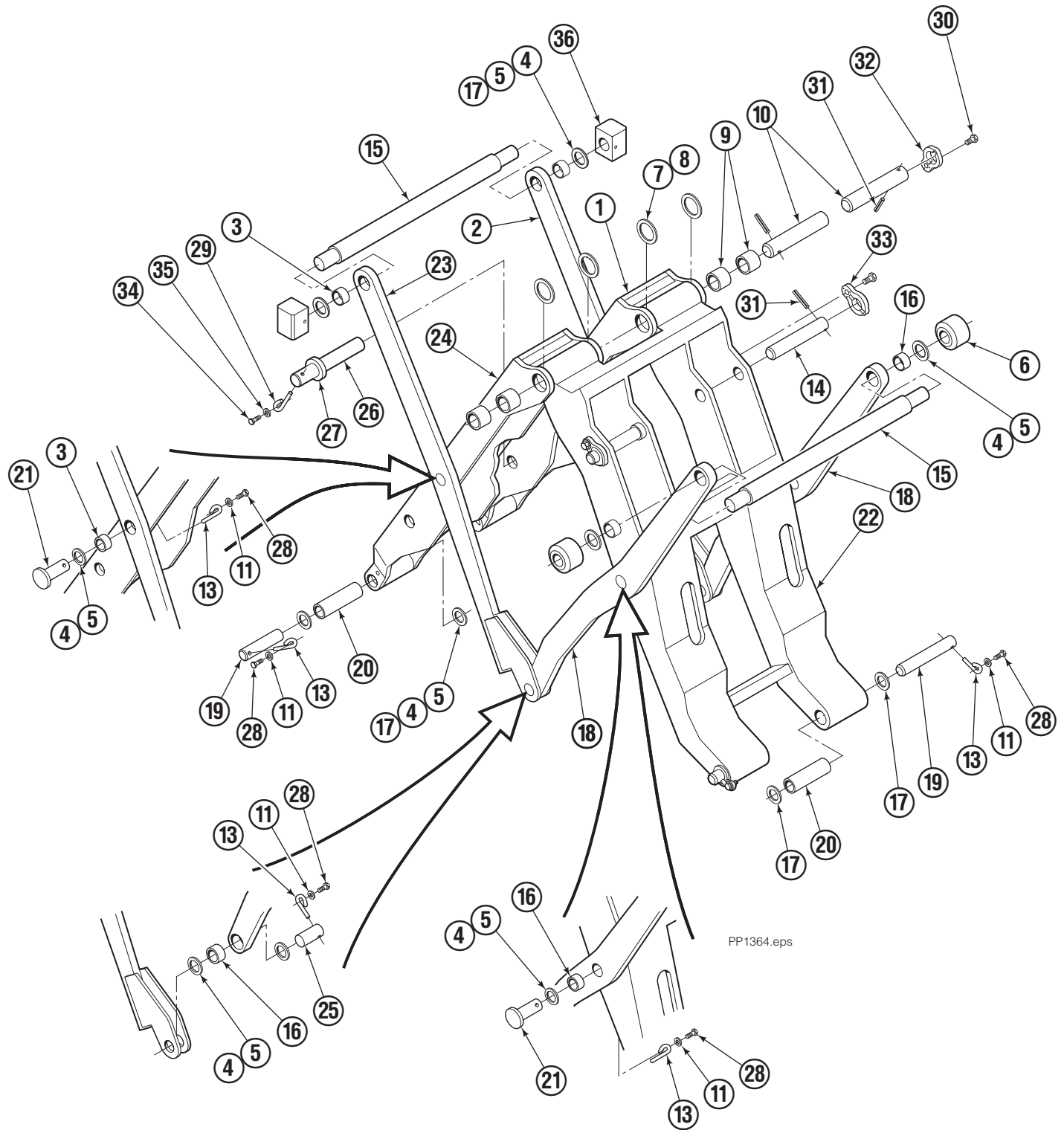
PP0023.ill

35E/45E

REF	QTY	PART NO.	DESCRIPTION
		583942	Cylinder Assembly
1	1	564162	Shell
2	1	564165	Rod
3	1	685664	Retainer
4	1	685665	Piston
5	1	563462	Nut
6	1	563916	Seal
7	1	3137	Retaining Ring
8	1	646540	■ Seal
9	1	636850	■ Wiper
10	1	2718	■ O-Ring
11	1	2710	■ O-Ring
12	1	615122	■ Back-up Ring
13	1	663728	■ Seal

■ Included in Service Kit 684827.

Mechanism Group



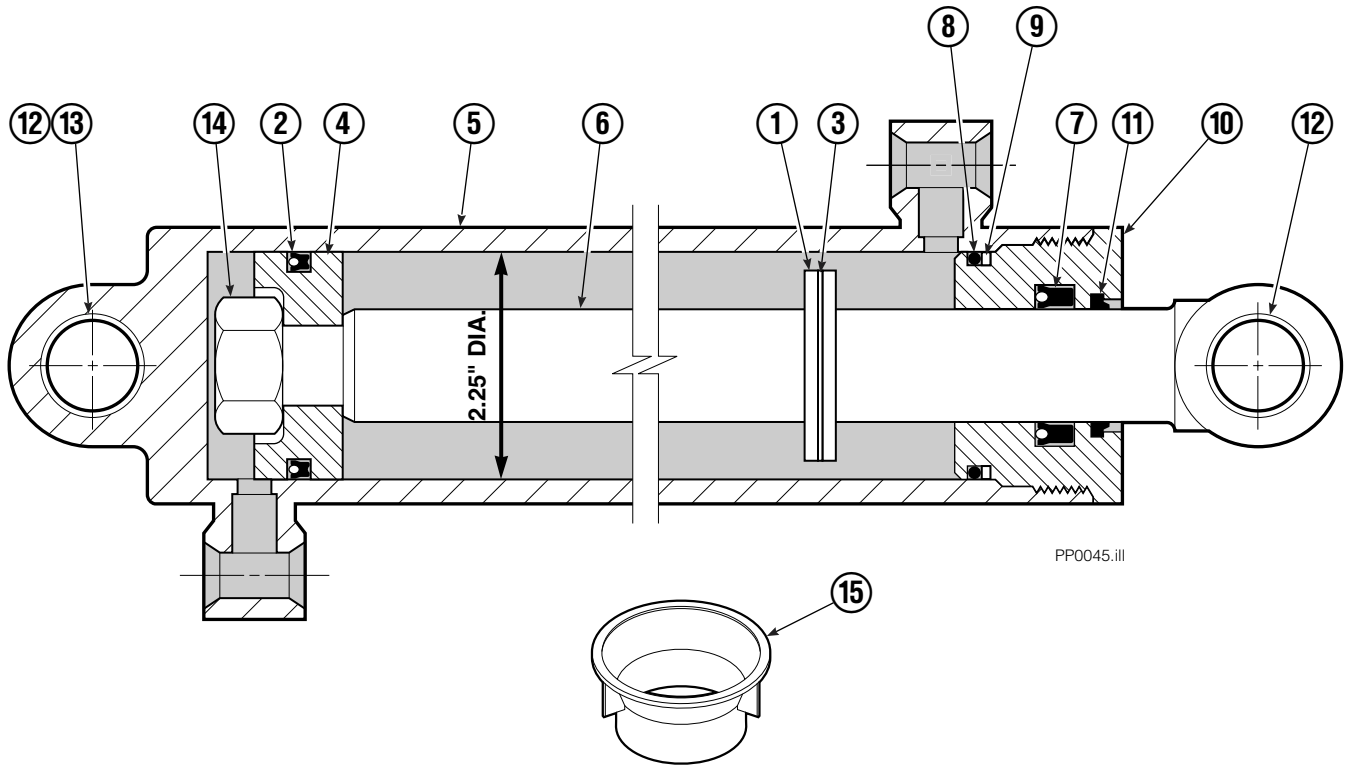
PP1364.eps

Mechanism Group

35E/45E			
REF	QTY	PART NO.	DESCRIPTION
		6061190	Mechanism Group
1	1	6052743	Arm – Secondary Inner – RH
2	1	204692	Arm – Secondary Outer – RH
3	4	683154	◆ Bushing
4	●	683161	Shim (.030)
5	●	683162	Shim (.060)
6	2	205070	Roller
7	●	683163	Shim (.030)
8	●	683164	Shim (.060)
9	4	683155	◆ Bushing
10	2	6052034	Pin – Primary/Secondary Inner
11	10	6229	Washer
12	2	685661	Capscrew, M8 x 14
13	10	6020429	Eye Pin
14	2	682822	Pin – Head
15	2	205065	Pin
16	6	683153	◆ Bushing
17	●	204532	Shim (.120)
18	2	204694	Arm – Outer Primary
19	4	204533	Pin – Frame
20	4	204535	◆ Bushing
21	4	204695	Pin – Primary Outer
22	1	204604	Arm – Inner Primary
23	1	204693	Arm – Secondary Outer – LH
24	1	6052744	Arm – Secondary Inner – LH
25	2	204696	Pin – Primary/Secondary Outer
26	2	6052711	Pin – Rod
27	2	683165	Spacer
28	10	767961	Capscrew, M8 x 16
29	2	6045586	Eye Pin
30	4	6047151	Capscrew, M8 x 16
31	4	7913	Roll Pin
32	2	6047125	Retainer
33	2	6045015	Retainer
34	2	684594	Capscrew, M10 x 20
35	2	209021	Washer, M10
36	2	6061191	Block Roller

- Quantity as required.
- ◆ Included in Bushing Service Kit 205075.

Cylinder

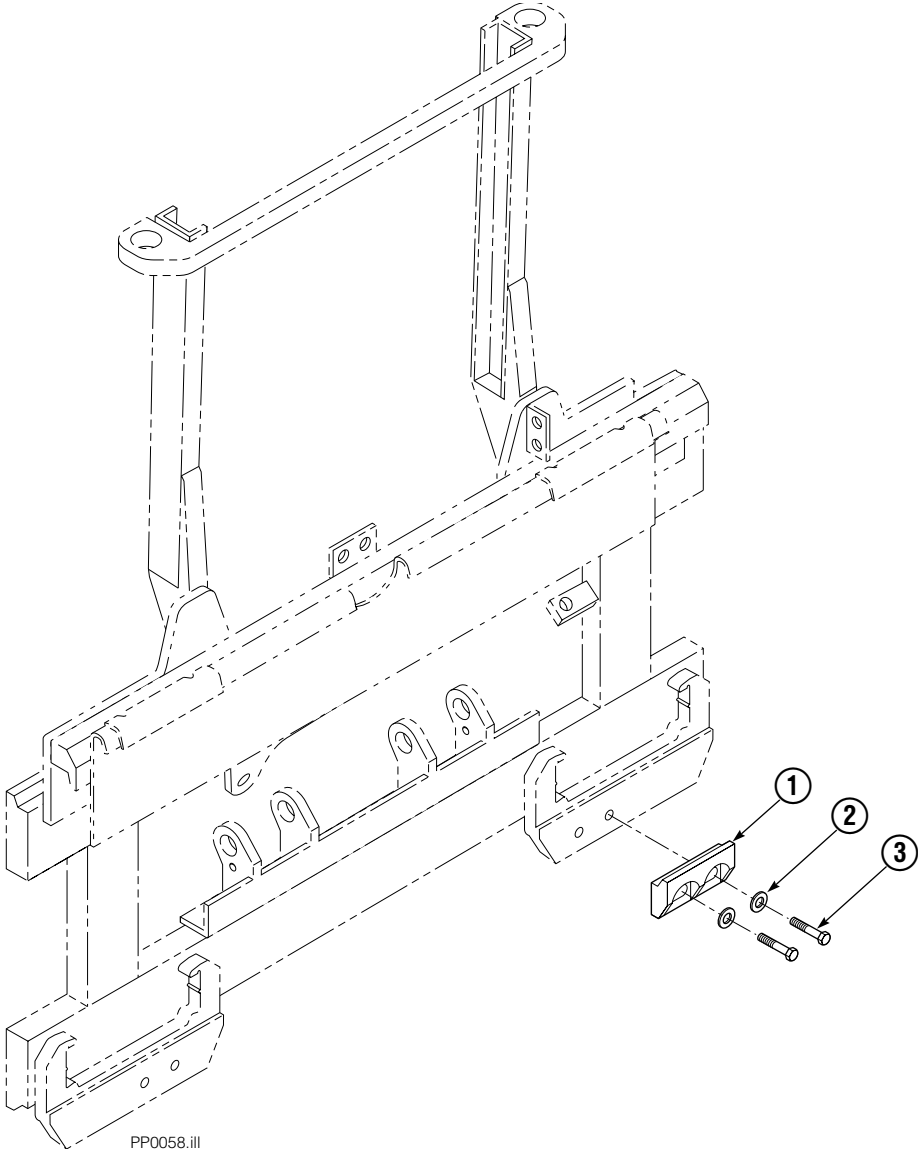


35E/45E			
REF	QTY	PART NO.	DESCRIPTION
		200989	Cylinder Assembly
1	1	685382	Spacer
2	1	562553	■ Seal
3	1	7348	Snap Ring
4	1	562333	Piston
5	1	562717	Shell
6	1	558626	Rod
7	1	662448	■ Seal
8	1	2787	■ O-Ring
9	1	615130	■ Back-up Ring
10	1	558628	Retainer
11	1	636853	■ Wiper
12	4	559697	Bearing
13	1	559698	Spacer
14	1	678019	Nut
15	1	671048	■ Seal Loader Kit

■ Included in Service Kit 562339.

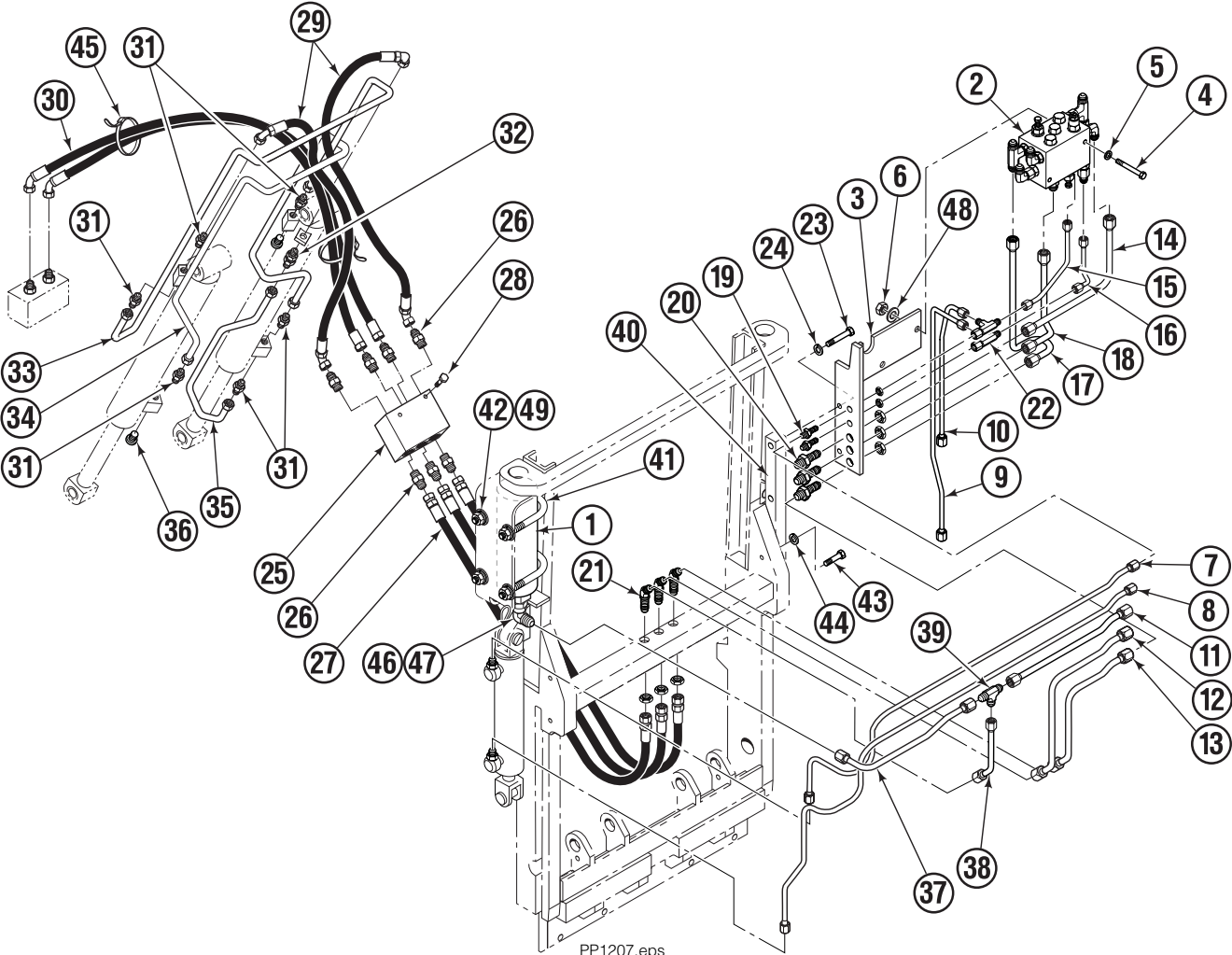
Reference: S-3424.

Bolt-On Lower Hook Group – ITA III



35E/45E			
REF	QTY	PART NO.	DESCRIPTION
		683180	Lower Hook Group ITA III
1	2	679361	Hook
2	4	667225	Washer
3	4	779010	Capscrew

Hydraulic Group



PP1207.eps

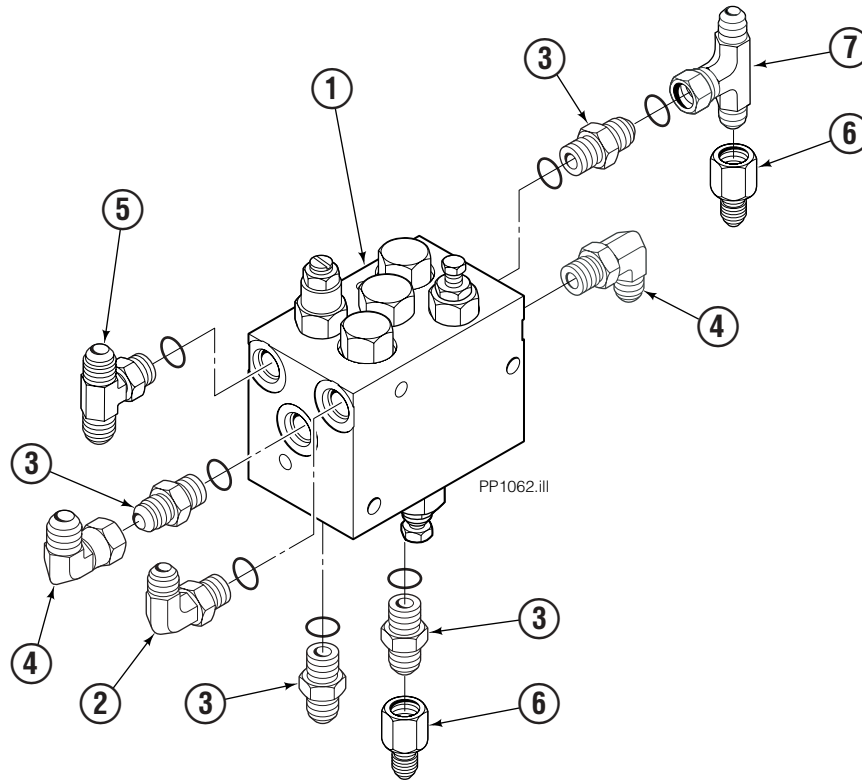
Hydraulic Group

35E/45E							
REF	QTY	PART NO.	DESCRIPTION	REF	QTY	PART NO.	DESCRIPTION
		6073299	Hydraulic Group	25	1	206927	Junction Block
1	1	6033052	Accumulator	26	7	604511	Fitting, 6-6
2	1	6034715	Valve ■	27	3	209670	Hose, 21.00 in.
3	1	372775	Valve Bracket	28	2	765329	◆ Capscrew, M8 x 20
4	2	768521	Capscrew, M6 x 80	29	2	209669	◆ Hose, 15.50 in.
5	2	202346	Washer, M6	30	1	6061018	Hose, Twinline
6	2	685906	Nut, M6	31	6	604511	◆ Fitting, 6-6
7	1	6073300	Tube	32	1	2375	◆ Fitting, 6-6
8	1	6073298	Tube	33	1	209668	◆ Tube
9	1	6073303	Tube	34	1	209667	◆ Tube
10	1	6073301	Tube	35	1	200647	◆ Tube
11	1	6033053	Tube	36	2	604510	◆ Fitting, 6
12	1	206936	Tube	37	1	6033055	Tube
13	1	6034721	Tube	38	1	6033054	Tube
14	1	372780	Tube	39	1	2576	Fitting, 6
15	1	372782	Tube	40	1	6023224	Bar
16	1	6034716	Tube	41	2	364099	U-bolt
17	1	374648	Tube	42	4	6288	Lockwasher
18	1	372779	Tube	43	2	765352	Capscrew, M8 x 30
19	2	2373	Fitting, 4-4	44	2	686119	Lockwasher, M8
20	3	2375	Fitting, 6-6	45	2	684956	Wire Tie
21	3	2492	Fitting, 6-6	46	1	205855	Fitting, 12-6
22	2	617923	Fitting, 4-4	47	1	2680	Fitting, 6-6
23	2	768525	Capscrew, M8 x 40	48	2	6229	Washer
24	2	678991	Lockwasher, M12	49	4	6230	Washer

■ See Valve page for parts breakdown.
Reference: SK-9862.

◆ Included in Hydraulic Components Group 209672.

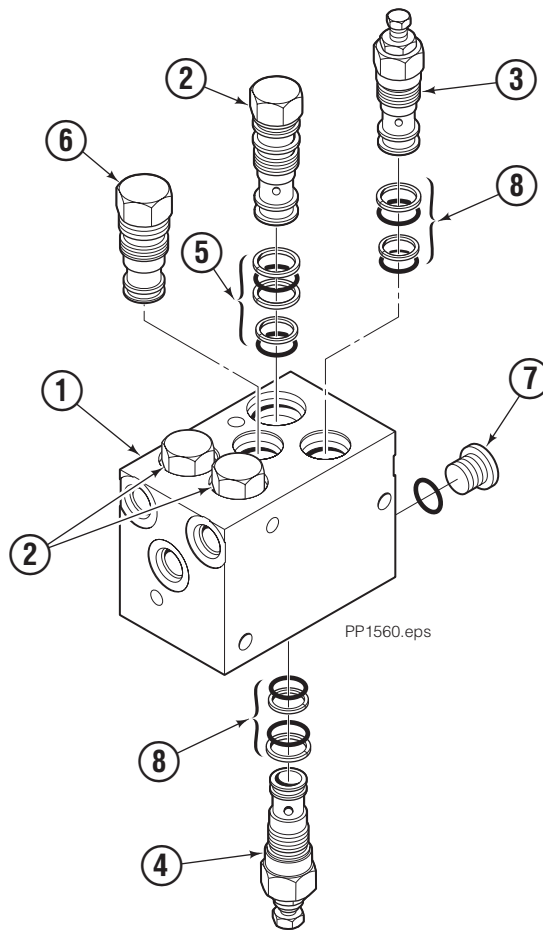
Valve Assembly



REF	QTY	PART NO.	DESCRIPTION
		6034715	Valve Assembly
1	1	6022757	Valve, Sheet Save ■
2	2	601676	Fitting, 6-6
3	4	604511	Fitting, 6-6
4	1	2680	Fitting, 6-6
5	1	611311	Fitting, 6-6
6	2	2669	Fitting, 6-4
7	1	610892	Fitting, 6-6

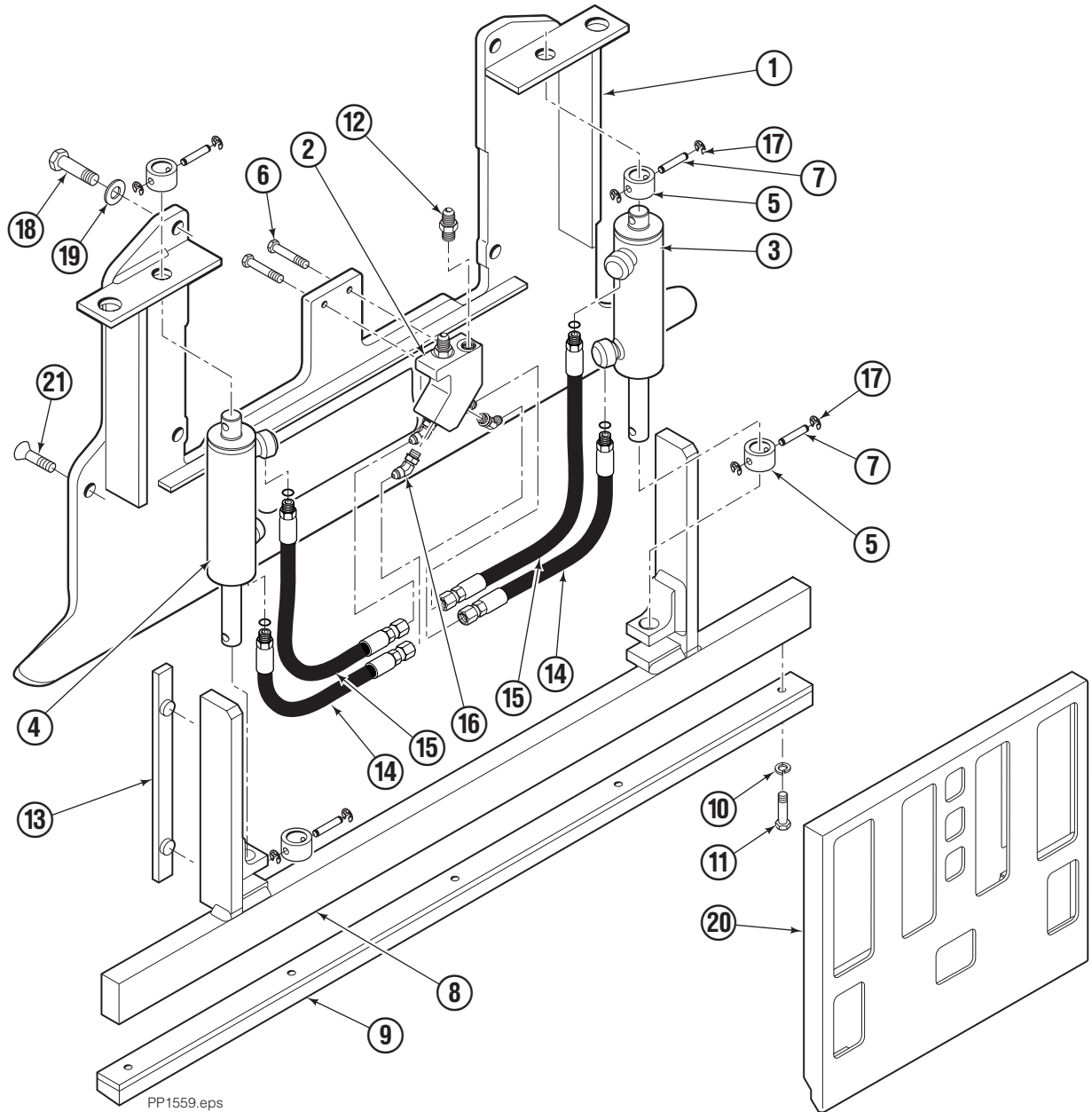
■ See Valve Assembly page for parts breakdown.

Valve Assembly



REF	QTY	PART NO.	DESCRIPTION
		6022757	Valve Assembly
1	1	677784	Body
2	3	6038929	Check Valve - PO
3	1	333363	Relief Valve
4	1	677124	Relief Valve
5	3	667516	Service Kit
6	1	677786	Check Valve
7	1	604510	Plug
8	2	661312	Service Kit

Faceplate Group



35E/45E

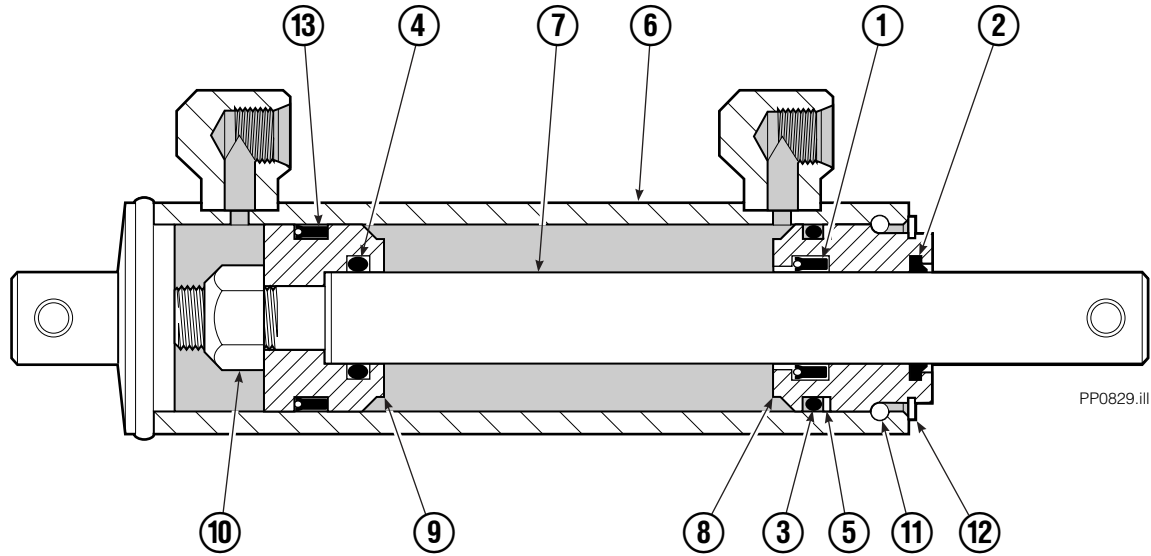
REF	QTY	PART NO.	DESCRIPTION	REF	QTY	PART NO.	DESCRIPTION
		6029838	Faceplate Group (R5)	11	5	787375	Capscrew, M8 x 20
		6020440	Gripper Jaw Assembly (R5) ●	12	2	604511	Fitting, 6-6
1	1	206396	Gripper Jaw	13	2	686573	Bearing
2	1	6002134	Valve	14	2	6002138	Hose, 315 mm
3	1	6020444	Gripper Cylinder, LH ◆	15	2	6002139	Hose, 450 mm
4	1	6020443	Gripper Cylinder, RH ◆	16	4	617918	Fitting, 4-4
5	4	6020462	Collar	17	8	669894	Retaining Ring
6	2	787373	Capscrew, M8 x 20	18	4	225346	Capscrew, M6 x 60
7	4	6014089	Pin	19	4	675620	Washer
8	1	6002135	Gripper Bar	20	1	6019106	Faceplate, 40 x 40 in. ■
9	1	672712	Gripper Pad	21	2	768714	Capscrew, M16 x 60
10	5	680253	Lockwasher, M8				

◆ See Gripper Cylinder page for parts breakdown.

■ Width x height.

● Includes items 1-17.

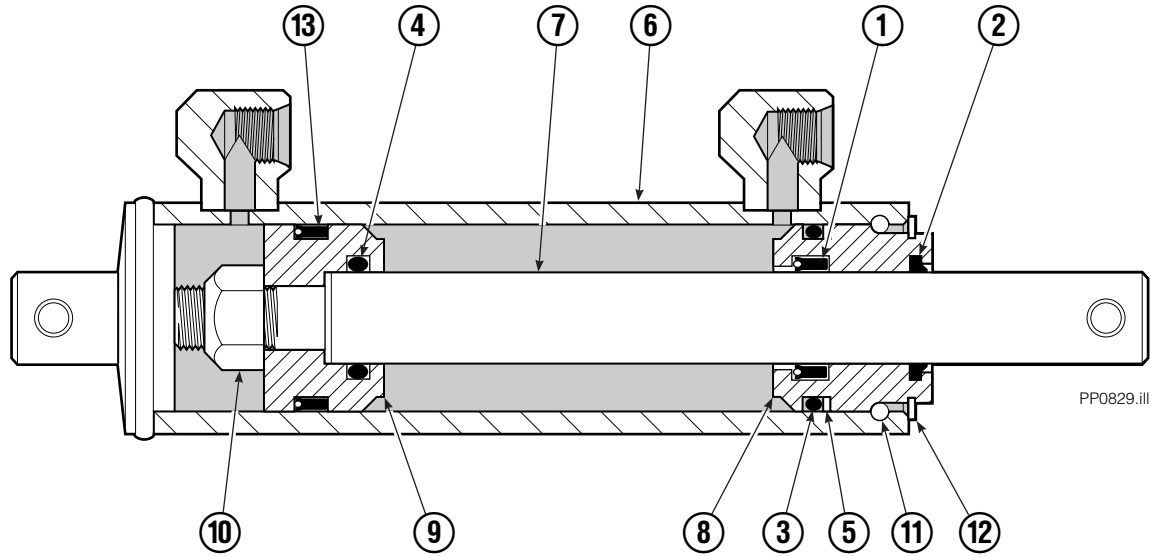
Gripper Cylinder Left Hand



REF	QTY	PART NO.	DESCRIPTION
		6020444	Gripper Cylinder - LH
1	1	646540	▼ Seal
2	1	636850	▼ Wiper
3	1	2718	▼ O-Ring
4	1	2710	▼ O-Ring
5	1	615122	▼ Back-Up Ring
6	1	6020453	Shell
7	1	6020461	Rod
8	1	685664	Retainer
9	1	685665	Piston
10	1	563462	Nut
11	1	563916	Ring
12	1	3137	Ring
13	1	663728	▼ Piston Seal

▼ Included in Service Kit 684827.

Gripper Cylinder Right Hand



REF	QTY	PART NO.	DESCRIPTION
		6020443	Gripper Cylinder – RH
1	1	646540	▼ Seal
2	1	636850	▼ Wiper
3	1	2718	▼ O-Ring
4	1	2710	▼ O-Ring
5	1	615122	▼ Back-Up Ring
6	1	6020452	Shell
7	1	6020461	Rod
8	1	685664	Retainer
9	1	685665	Piston
10	1	563462	Nut
11	1	563916	Ring
12	1	3137	Ring
13	1	663728	▼ Piston Seal

▼ Included in Service Kit 684827.

Do you have questions you need answered right now? Call your nearest Cascade Parts Department. Visit us online at www.cascorp.com

**Cascade Corporation
U.S. Headquarters**
2201 NE 201st
Fairview, OR 97024-9718
Tel: 800-CASCADE (227-2233)
FAX: 888-329-8207

Cascade Canada Inc.
5570 Timberlea Blvd.
Mississauga, Ontario
Canada L4W-4M6
Tel: 905-629-7777
FAX: 905-629-7785

Cascade GmbH
Niederwippekühl 1
58579 Schalksmühle
Germany
Tel: 02355-50900
FAX: 02355-509020

Cascade Finland
A. Petreliuksenkatu 3
01370 Vantaa
Finland
Tel: 09-8361925
FAX: 09-8361935

**Cascade N.V.
Benelux Sales and Service**
Damsluisweg 56
PO Box 3009
1300 El Almere
The Netherlands
Tel: 036-5492950
FAX: 036-5492974

Cascade Kenhar Ltd.
3 Kelbrook Road
Parkhouse Ind. Estate
Openshaw,
Manchester M11 2DD
England
Tel: 0161-438-4020
FAX: 0161-438-4055

**Sales Scotland
Macade Systems Ltd.**
18 Melford Road
Righead Ind. Estate
Bellshill ML4 3LR
Scotland
Tel: 01698-845777
FAX: 01698-845888

Cascade (Africa) Pty. Ltd.
PO Box 625, Isando 1600
60A Steel Road
Sparton, Kempton Park
South Africa
Tel: 27-11-975-9240
FAX: 27-11-394-1147

Cascade Scandinavia AB
Hammarvägen 10
PO Box 124
S-56723 Vaggeryd
Sweden
Tel: 039-336950
FAX: 039-336959

**Cascade France
S.A.R.L. MHP**
1D Rue De Charaintru BP 18,
91360 Epinay-Sur-Orge
France
Tel: 01-6454-7500
FAX: 01-6454-7501

Cascade Hispania S.A.
Carrer 5, Sector C
Zona Franca Duanera
Poligono de la Zona Franca
08040 Barcelona, Spain
Tel: 93-264-07-30
FAX: 93-264-07-31

Cascade Italia S.R.L.
Via Dell'Artigianato 1
37050 Vago di Lavagno (VR)
Italy
Tel: 39-045-8989111
FAX: 39-045-8989160

Movimenta Lda.
Parque Industrial
Vale do Alecrim, Lote 108
2950-403 Palmela
Portugal
Tel: 351-212387340
FAX: 351-212387349

**Sales Switzerland
Fahrzeugbedarf**
8810, Horgen
Switzerland
Tel: 01-7279797
FAX: 01-7279798

Sales Poland
Targowa 35/61
03-728 Warszawa
Tel: 022-619 00 49
FAX: 022-619 00 49
Mobile Tel: 0501-27 29 55

Sales Russia
EMCG Material Handling
Equipment
Moscow
Tel: 095-795-2400
FAX: 095-795-2475
Email: emcg@emcg.ru

Cascade Japan Ltd.
5-5-41,
Torikai Kami
Settsu, Osaka
Japan, 566
Tel: 81-726-53-3490
FAX: 81-726-53-3497

Cascade Korea
121B 9L Namdong Ind.
Complex, 691-8 Gojan-Dong
Namdong-Ku
Inchon, 405-310 Korea
Tel: 82-32-821-2051
FAX: 82-32-821-2055

Cascade Australia
1445 Ipswich Road
Rocklea, QLD 4107
Australia
Tel: 1-800-227-223
FAX: 617-3373-7333

Cascade New Zealand
15 Ra Ora Drive
East Tamaki, Auckland
New Zealand
Tel: 64-9-273-9136
FAX: 64-9-273-9137

Cascade-Xiamen
No. 668 Yangguang Rd.
Xinyang Industrial Zone
Haicang, Xiamen City
Fujian Province
P.R. China 361026
Tel: 86-592-651-2500
FAX: 86-592-651-2571

**Sunstream Industries
Pte Ltd.**
No. 3 Tuas Link 1
2263
Singapore
Tel: 65-6863-3488
FAX: 65-6863-1368

**Cascade do Brasil
Distribuidora de Garras
e Garfos LTDA**
R. Joao Guerra, 134
Macuco-Santos
Sao Paulo - SP
Brasil 11015-130
Tel: 55-11-5016-2484
Fax: 55-11-5013-2809

