



PARTS CATALOG

TRX350FE'04
FOURTRAX RANCHER 4X4 ES

TRX350FM'04
FOURTRAX RANCHER 4X4

TRX350TE'04
FOURTRAX RANCHER ES

TRX350TM'04
FOURTRAX RANCHER

AUGUST, 2003

American Honda Motor Co., Inc.

14HN44E1M (Fiche Version)

TABLE OF CONTENTS

Introduction	Grid / Page	
• HOW TO USE THIS CATALOG	A2	4
• LOCATION OF SERIAL NUMBER	A2	5
• SERIAL NUMBERS	A3	7
• CONSTRUCTION OF VEHICLE IDENTIFICATION NUMBER	A4	8
• COLOR TABLE	A4	9
• BULK HOSE PART NUMBER PATTERN.....	A8	17
• MASTER INDEX	A9	18
Part Groups		
• ENGINE SECTION	1-C1	1-1
• FRAME SECTION.....	1-E1	2-1
Index		
• PART NUMBER INDEX	B1	3-1
• DESCRIPTION INDEX	1-H1	4-1

HOW TO USE THIS CATALOG

This parts catalog is to be used when ordering replacement parts for the model (s) specified on the microfiche strip.

CATALOG PAGE BREAKDOWN (Generic layout-sample data only)

4= MODEL 5= MODEL 6= MODEL 7= MODEL		E-1							
④				Engine Serial Number					
Ref.	Description	MODEL-ID	From	To	AREA	ORG	QTY	Part Number	H/C
1	COVER SET, CYLINDER HEAD	4	15240057	-----	AC	JPN	1	12310-PE2-020	2031797
	COVER SET, CYLINDER HEAD		-----	12234811	A	USA	1	12310-PE2-030	2210888
①	②	③	⑤	⑥	⑦	⑧	⑨	⑩	

KEY TO CATALOG PAGE BREAKDOWN

1. **Ref.** - Reference numbers correspond to the reference numbers on the illustrations. All illustrations are representative only and do not necessarily correspond exactly to the actual part. "NI" signifies the part is not illustrated.

2. **Description*** - Describes the part for the related part number.

Abbreviations:

ASSY.	- Assembly	V	- Volt
COMP.	- Complete	W	- Watt
L(100L)	- Link(100Links)	A.C.	- Alternating Current
R.	- Right	D.C.	- Direct Current
L.	- Left	KPH	- Kilometers Per Hour
IN.	- Inlet	MPH	- Miles Per Hour
EX.	- Exhaust	A.M.	- Attaching Mark
FR.	- Front	T.M.	- Transcript Mark
RR.	- Rear	A	- Ampere
HEX.	- Hexagonal	WL	- With Labeling
STD.	- Standard	WOL	- Without Labeling
MM	- Millimeter	T (22T)	- Tooth
G	- Gram	C.D.I.	- Capacitive Discharge Ignition

3. **MODEL-ID*** - Model indicator code is unique per catalog (not consistent with other catalogs).

4. Each catalog will be represented with applicable model indicators and models.

5. **Serial Number** - Applies to Engine or Frame serial numbers depending on the section. The serial numbers of the vehicle (frame, engine, carburetor) should be checked prior to ordering parts for a specific unit. In cases where a part has been modified, the serial number of the vehicle bearing the modification is listed in the 'SERIAL NUMBER' column. The modification parts are controlled by each pertinent serial number below.

Engine serial number - Engine group parts (Block numbers beginning with 'E').

Carburetor identification number - Carburetor component parts.

Frame serial number - Frame group parts (Block numbers beginning with 'F').

A serial number chart and serial number locations are provided.

Note - Some models may be controlled by one serial number only.

6. **AREA*** - Applicable area code type is defined in the serial number chart.

7. **ORG*** - Manufacturing origin of the unit.

8. **QTY** - Quantity required per unit as specified.

A. "AR" in place of the quantity indicates AS REQUIRED.

B. "(" Parentheses in the quantity required indicate "optional".

9. **Part Number** - Part number corresponds to the reference number and application. Several part numbers may be listed under one (1) reference number. For your convenience the current supersede chain, as of print date, has been listed. Supersede chains are subject to change without notice.

10. **H/C** - The Honda Code and Part Number share a 1 to 1 relationship.

MAKE-UP OF PART NUMBERS

All parts are classified into two groups consisting of "GENERAL PARTS" and "STANDARD PARTS". All parts are numbered in accordance with the system described below:

General Parts

Example: Driver Seat Assembly Part No.	77400-634-671ZA
Function No.	77
Component No.	400
Model Code No.	-634-
Modification Process Design	671
Color Code**	ZA

A. Additional Information - The section index located at the bottom of each microfiche grid lists section titles. The Engine and Frame sections have separate section indexes.

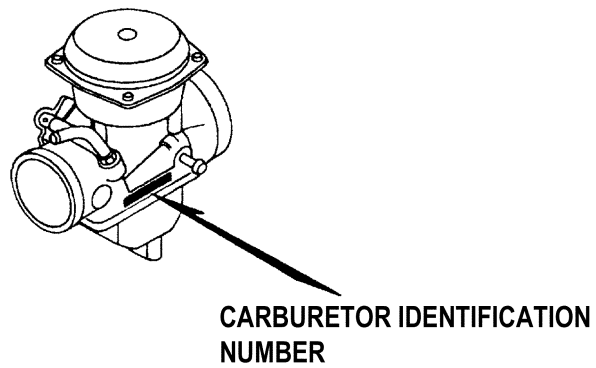
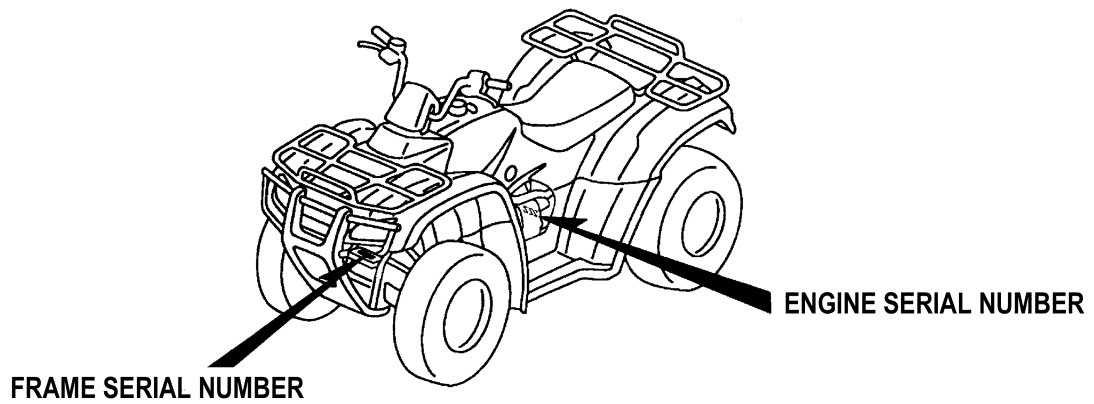
Note:

1. Rear view mirrors are standard equipment on all street legal models.

*When columns become full, additional data is displayed on a second line.

**The color code at the end of a part number indicates a color. Color codes such as ZA, ZB, ZC . . . , except ZZ, do not indicate the actual color. Actual colors are represented in code, between asterisks in the part description.

LOCATION OF SERIAL NUMBER



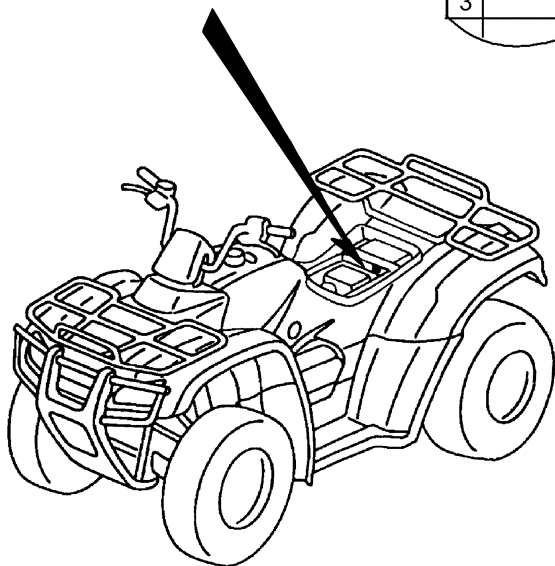
LOCATION OF SERIAL NUMBER

INSTRUCTION OF COLOR LABEL

Color Label

When ordering parts, check the model name, main color and by code observing the color label on the vehicle.
When ordering a colored part, use the Color Chart in the INSTRUCTION FOR USE OF PARTS CATALOG.

	TRX350TE	MODEL				
COLOR	R-232	COLOR				
CODE	R232	CODE				
No.	Name of colored parts	Basic part No.				
1						
2						
3						



SERIAL NUMBERS

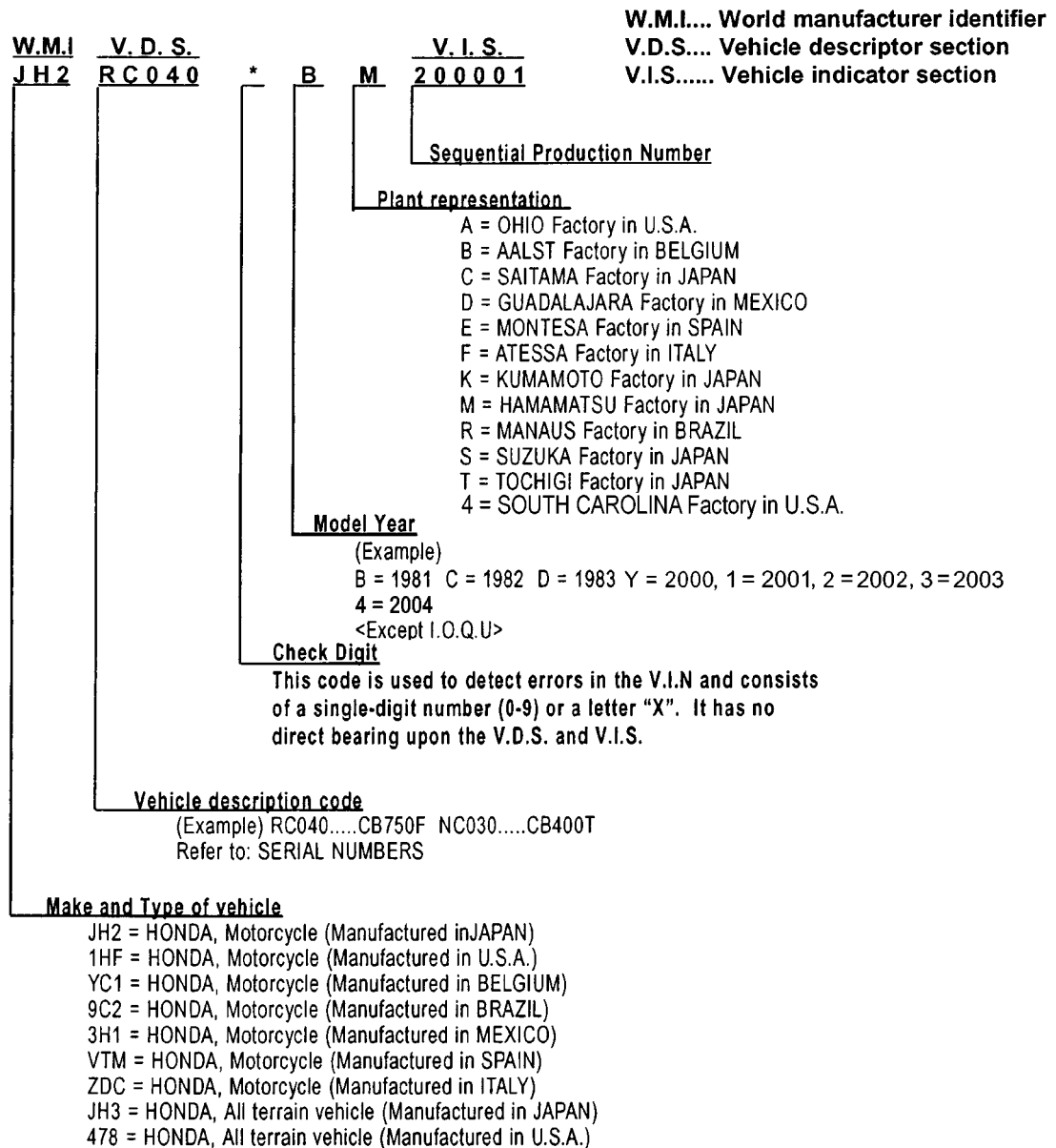
Models and applicable serial numbers

Models and applicable serial numbers given in this parts catalog can be identified as follows.

**2A = AREA CODE "A" MANUFACTURED AT THE SOUTH CAROLINA FACTORY.
IDENTIFY BY THE FRAME SERIAL NUMBER.**

Model	Area Code	Engine Serial No.	Frame Serial No.	Carburetor Serial No.
TRX350FE'04	A	TE25E-8700001~	478TE254*4A400001~	VE94E A
TRX350FE'04	2A	TE25E-8700001~	478TE254*44300001~	VE94E A
TRX350FM'04	A	TE25E-8700001~	478TE250*4A400001~	VE94E A
TRX350FM'04	2A	TE25E-8700001~	478TE250*44300001~	VE94E A
TRX350TE'04	A	TE24E-8700001~	478TE244*4A400001~	VE94E A
TRX350TE'04	2A	TE24E-8700001~	478TE244*44300001~	VE94E A
TRX350TM'04	A	TE24E-8700001~	478TE240*4A400001~	VE94E A
TRX350TM'04	2A	TE24E-8700001~	478TE240*44300001~	VE94E A

CONSTRUCTION OF VEHICLE IDENTIFICATION NUMBER



Any change or modification of parts is directly related to the V.D.S. and V.I.S.
 A V.I.S. number will appear in the "Serial No." column of the Parts Catalog if a part is changed or modified.

COMMENT:

This example is generic and applies to 1981 and newer vehicles. 1980 models and prior are referred to as "FRAME NUMBERS" and the construction is designed by using the model designation or code followed by a sequential number.

COLOR TABLE

When ordering a colored part:

1. Confirm the color code for the required part from the color table according to the part name and color type.
2. Select the corresponding part number from the appropriate PAGE/GRID.
3. Parts marked "X" are unused.
4. "*" = Basic Part Number, no extension (i.e. ZA, ZB).

TRX350FE'04 2004

No.	DESCRIPTION	COLOR CODE	G152	R232	Y151	A R E A
		BASE COLOR	Adventure green G152	Patriot red R232	Starburst yellow Y151R	
		BASIC PART NO.				
1	CARRIER, FR. LUGGAGE	81100-HN7-000	ZA	ZA	ZA	
2	CARRIER, RR. LUGGAGE	81300-HN7-000	ZA	ZA	ZA	
3	CLIP, PANEL FIXING	91549-MW0-790	ZA	ZA	ZA	
4	COVER, FUEL TANK TOP	83700-HN7-000	ZA	ZB	ZC	
5	COVER, HANDLE	53205-HN7-000	ZA	ZA	ZA	
6	COVER, L. CARBURETOR SIDE	80126-HN7-000	ZA	ZA	ZA	
7	COVER, L. TANK SIDE (WOL)	83600-HN5-M40	ZA	ZB	ZC	
8	COVER, R. CARBURETOR SIDE	80125-HN7-000	ZA	ZA	ZA	
9	COVER, R. TANK SIDE	83500-HN7-000	ZA	ZB	ZC	
10	EMBLEM, L. FUEL TANK COVER	87122-HN7-000	ZC	ZA	ZB	
11	EMBLEM, R. FUEL TANK COVER	87121-HN7-000	ZC	ZA	ZB	
12	FENDER, FR.	61100-HN7-000	ZA	ZB	ZC	
13	FENDER, RR.	80100-HN7-000	ZA	ZB	ZC	
14	GRILLE, FR.	66300-HN7-000	ZA	ZA	ZA	
15	GUARD, FR. PIPE	81170-HN7-000	ZA	ZA	ZA	
16	LABEL, COLOR	87565-HN5-M50	ZC	ZA	ZB	
17	LEVER, PETCOCK	16963-HM8-000	ZA	ZA	ZA	
18	LID, RR. FENDER	80311-HN7-000	ZA	ZB	ZC	
19	LID, TOOL BOX	80211-HN7-000	ZA	ZA	ZA	
20	LID, UTILITY BOX	83670-HN5-M40	ZA	ZB	ZC	
21	MARK	87124-HN7-000	ZC	ZA	ZB	
22	MARK, HONDA	87127-HN7-000	ZC	ZA	ZB	
23	MARK, RR.	87123-HN7-000	ZA	ZA	ZA	
24	MARK, SIDE COVER	87126-HN5-M50	ZC	ZA	ZB	
25	MUDGUARD, L. CENTER	80122-HN7-000	ZA	ZA	ZA	
26	MUDGUARD, L. FR. (LOWER)	61868-HN5-M50	ZA	ZA	ZA	
27	MUDGUARD, L. FR. SIDE	61866-HN7-000	ZA	ZA	ZA	
28	MUDGUARD, L. RR.	80251-HN7-000	ZA	ZA	ZA	
29	MUDGUARD, L. RR. SIDE	80221-HN7-000	ZA	ZA	ZA	
30	MUDGUARD, R. CENTER	80121-HN5-M50	ZA	ZA	ZA	
31	MUDGUARD, R. FR. (LOWER)	61863-HN5-M50	ZA	ZA	ZA	
32	MUDGUARD, R. FR. SIDE	61861-HN7-000	ZA	ZA	ZA	
33	MUDGUARD, R. RR.	80250-HN7-000	ZA	ZA	ZA	
34	MUDGUARD, R. RR. SIDE	80220-HN7-000	ZA	ZA	ZA	
35	PIPE, FR. CARRY	81150-HN7-000	ZA	ZA	ZA	
36	PLATE, FR. SKID	81160-HN7-000	ZA	ZA	ZA	
37	SEAT	77100-HN7-000	ZB	ZB	ZB	
38	SPACER, ACCESSORY SOCKET (INNER)	61104-HN5-670	ZA	ZA	ZA	

COLOR TABLE

TRX350FE'04 2004

No.	DESCRIPTION	COLOR CODE	G152	R232	Y151	A R E A
		BASE COLOR	Adventure green G152	Patriot red R232	Starburst yellow Y151R	
		BASIC PART NO.				
39	SPACER, ACCESSORY SOCKET (OUTER)	61103-HN5-670	ZB	ZB	ZB	
40	WHEEL SET, RR.	42650-HN5-M40	ZA	ZA	ZA	
41	WHEEL SUB-ASSY., FR.	44650-HN7-000	ZA	ZA	ZA	

COLOR TABLE

When ordering a colored part:

1. Confirm the color code for the required part from the color table according to the part name and color type.
2. Select the corresponding part number from the appropriate PAGE/GRID.
3. Parts marked "X" are unused.
4. "***" = Basic Part Number, no extension (i.e. ZA, ZB).

TRX350FM'04 2004

No.	DESCRIPTION	COLOR CODE	G152	R232	Y151	A R E A
		BASE COLOR	Adventure green G152	Patriot red R232	Starburst yellow Y151R	
		BASIC PART NO.				
1	CAP, HANDLE COVER	53206-HM8-000	ZA	ZA	ZA	
2	CARRIER, FR. LUGGAGE	81100-HN7-000	ZA	ZA	ZA	
3	CARRIER, RR. LUGGAGE	81300-HN7-000	ZA	ZA	ZA	
4	CLIP, PANEL FIXING	91549-MW0-790	ZA	ZA	ZA	
5	COVER, FUEL TANK TOP	83700-HN7-000	ZA	ZB	ZC	
6	COVER, HANDLE	53205-HN5-A10	ZA	ZA	ZA	
7	COVER, HANDLE	53205-HN5-672	ZA	ZA	ZA	
8	COVER, L. TANK SIDE (WOL)	83600-HN5-M40	ZA	ZB	ZC	
9	COVER, R. CARBURETOR SIDE	80125-HN7-000	ZA	ZA	ZA	
10	COVER, R. TANK SIDE	83500-HN7-000	ZA	ZB	ZC	
11	EMBLEM, L. FUEL TANK COVER	87122-HN7-000	ZC	ZA	ZB	
12	EMBLEM, R. FUEL TANK COVER	87121-HN7-000	ZC	ZA	ZB	
13	FENDER, FR.	61100-HN7-000	ZA	ZB	ZC	
14	FENDER, RR.	80100-HN7-000	ZA	ZB	ZC	
15	GRILLE, FR.	66300-HN7-000	ZA	ZA	ZA	
16	GUARD, FR. PIPE	81170-HN7-000	ZA	ZA	ZA	
17	LABEL, COLOR	87565-HN5-M40	ZC	ZA	ZB	
18	LEVER, PETCOCK	16963-HM8-000	ZA	ZA	ZA	
19	LID, RR. FENDER	80311-HN7-000	ZA	ZB	ZC	
20	LID, TOOL BOX	80211-HN7-000	ZA	ZA	ZA	
21	LID, UTILITY BOX	83670-HN5-M40	ZA	ZB	ZC	
22	MARK	87124-HN7-000	ZC	ZA	ZB	
23	MARK, HONDA	87127-HN7-000	ZC	ZA	ZB	
24	MARK, RR.	87123-HN7-000	ZA	ZA	ZA	
25	MARK, SIDE COVER	87126-HN5-M40	ZC	ZA	ZB	
26	MUDGUARD, L. CENTER	80122-HN5-M40	ZA	ZA	ZA	
27	MUDGUARD, L. FR. (LOWER)	61868-HN5-M50	ZA	ZA	ZA	
28	MUDGUARD, L. FR. SIDE	61866-HN7-000	ZA	ZA	ZA	
29	MUDGUARD, L. RR.	80251-HN7-000	ZA	ZA	ZA	
30	MUDGUARD, L. RR. SIDE	80221-HN7-000	ZA	ZA	ZA	
31	MUDGUARD, R. CENTER	80121-HN5-M50	ZA	ZA	ZA	
32	MUDGUARD, R. FR. (LOWER)	61863-HN5-M50	ZA	ZA	ZA	
33	MUDGUARD, R. FR. SIDE	61861-HN7-000	ZA	ZA	ZA	
34	MUDGUARD, R. RR.	80250-HN7-000	ZA	ZA	ZA	
35	MUDGUARD, R. RR. SIDE	80220-HN7-000	ZA	ZA	ZA	
36	PIPE, FR. CARRY	81150-HN7-000	ZA	ZA	ZA	
37	PLATE, FR. SKID	81160-HN7-000	ZA	ZA	ZA	
38	SEAT	77100-HN7-000	ZB	ZB	ZB	
39	SPACER, ACCESSORY SOCKET (INNER)	61104-HN5-670	ZA	ZA	ZA	

COLOR TABLE

TRX350FM'04 2004

No.	DESCRIPTION	COLOR CODE	G152	R232	Y151	A R E A
		BASE COLOR	Adventure green G152	Patriot red R232	Starburst yellow Y151R	
		BASIC PART NO.				
40	SPACER, ACCESSORY SOCKET (OUTER)	61103-HN5-670	ZB	ZB	ZB	
41	WHEEL SET, RR.	42650-HN5-M40	ZA	ZA	ZA	
42	WHEEL SUB-ASSY., FR.	44650-HN7-000	ZA	ZA	ZA	

COLOR TABLE

When ordering a colored part:

1. Confirm the color code for the required part from the color table according to the part name and color type.
2. Select the corresponding part number from the appropriate PAGE/GRID.
3. Parts marked "X" are unused.
4. "***" = Basic Part Number, no extension (i.e. ZA, ZB).

TRX350TE'04 2004

No.	DESCRIPTION	COLOR CODE	G152	R232	Y151	A R E A
		BASE COLOR	Adventure green G152	Patriot red R232	Starburst yellow Y151R	
		BASIC PART NO.				
1	CARRIER, FR. LUGGAGE	81100-HN7-000	ZA	ZA	ZA	
2	CARRIER, RR. LUGGAGE	81300-HN7-000	ZA	ZA	ZA	
3	CLIP, PANEL FIXING	91549-MW0-790	ZA	ZA	ZA	
4	COVER, FUEL TANK TOP	83700-HN7-000	ZA	ZB	ZC	
5	COVER, HANDLE	53205-HN7-000	ZA	ZA	ZA	
6	COVER, L. CARBURETOR SIDE	80126-HN7-000	ZA	ZA	ZA	
7	COVER, L. TANK SIDE (WOL)	83600-HN5-M40	ZA	ZB	ZC	
8	COVER, R. CARBURETOR SIDE	80125-HN7-000	ZA	ZA	ZA	
9	COVER, R. TANK SIDE	83500-HN7-000	ZA	ZB	ZC	
10	EMBLEM, L. FUEL TANK COVER	87122-HN7-000	ZC	ZA	ZB	
11	EMBLEM, R. FUEL TANK COVER	87121-HN7-000	ZC	ZA	ZB	
12	FENDER, FR.	61100-HN7-000	ZA	ZB	ZC	
13	FENDER, RR.	80100-HN4-M00	ZA	ZB	ZC	
14	GRILLE, FR.	66300-HN7-000	ZA	ZA	ZA	
15	GUARD, FR. PIPE	81170-HN7-000	ZA	ZA	ZA	
16	LABEL, COLOR	87565-HN4-M10	ZC	ZA	ZB	
17	LEVER, PETCOCK	16963-HM8-000	ZA	ZA	ZA	
18	LID, RR. FENDER	80311-HN7-000	ZA	ZB	ZC	
19	LID, TOOL BOX	80211-HN7-000	ZA	ZA	ZA	
20	LID, UTILITY BOX	83670-HN5-M40	ZA	ZB	ZC	
21	MARK, HONDA	87127-HN7-000	ZC	ZA	ZB	
22	MARK, SIDE COVER	87126-HN5-M50	ZC	ZA	ZB	
23	MUDGUARD, L. CENTER	80122-HN7-000	ZA	ZA	ZA	
24	MUDGUARD, L. FR. (LOWER)	61868-HN5-M50	ZA	ZA	ZA	
25	MUDGUARD, L. FR. SIDE	61866-HN7-000	ZA	ZA	ZA	
26	MUDGUARD, L. RR.	80251-HN7-000	ZA	ZA	ZA	
27	MUDGUARD, L. RR. SIDE	80221-HN7-000	ZA	ZA	ZA	
28	MUDGUARD, R. CENTER	80121-HN5-M50	ZA	ZA	ZA	
29	MUDGUARD, R. FR. (LOWER)	61863-HN5-M50	ZA	ZA	ZA	
30	MUDGUARD, R. FR. SIDE	61861-HN7-000	ZA	ZA	ZA	
31	MUDGUARD, R. RR.	80250-HN7-000	ZA	ZA	ZA	
32	MUDGUARD, R. RR. SIDE	80220-HN7-000	ZA	ZA	ZA	
33	PIPE, FR. CARRY	81150-HN7-000	ZA	ZA	ZA	
34	PLATE, FR. SKID	81160-HN7-000	ZA	ZA	ZA	
35	SEAT	77100-HN7-000	ZB	ZB	ZB	
36	SPACER, ACCESSORY SOCKET (INNER)	61104-HN5-670	ZA	ZA	ZA	
37	SPACER, ACCESSORY SOCKET (OUTER)	61103-HN5-670	ZB	ZB	ZB	
38	WHEEL SUB-ASSY., FR.	44650-HN4-M00	ZA	ZA	ZA	

COLOR TABLE

TRX350TE'04 2004

No.	DESCRIPTION	COLOR CODE	G152	R232	Y151	A R E A
		BASE COLOR	Adventure green G152	Patriot red R232	Starburst yellow Y151R	
		BASIC PART NO.				
39	WHEEL SUB-ASSY., RR.	42650-HN4-M00	ZA	ZA	ZA	

COLOR TABLE

When ordering a colored part:

1. Confirm the color code for the required part from the color table according to the part name and color type.
2. Select the corresponding part number from the appropriate PAGE/GRID.
3. Parts marked "X" are unused.
4. "*" = Basic Part Number, no extension (i.e. ZA, ZB).

TRX350TM'04 2004

No.	DESCRIPTION	COLOR CODE	G152	R232	Y151	A R E A
		BASE COLOR	Adventure green G152	Patriot red R232	Starburst yellow Y151R	
		BASIC PART NO.				
1	CAP, HANDLE COVER	53206-HM8-000	ZA	ZA	ZA	
2	CARRIER, FR. LUGGAGE	81100-HN7-000	ZA	ZA	ZA	
3	CARRIER, RR. LUGGAGE	81300-HN7-000	ZA	ZA	ZA	
4	CLIP, PANEL FIXING	91549-MW0-790	ZA	ZA	ZA	
5	COVER, FUEL TANK TOP	83700-HN7-000	ZA	ZB	ZC	
6	COVER, HANDLE	53205-HN5-A10	ZA	ZA	ZA	
7	COVER, HANDLE	53205-HN5-672	ZA	ZA	ZA	
8	COVER, L. TANK SIDE (WOL)	83600-HN5-M40	ZA	ZB	ZC	
9	COVER, R. CARBURETOR SIDE	80125-HN7-000	ZA	ZA	ZA	
10	COVER, R. TANK SIDE	83500-HN7-000	ZA	ZB	ZC	
11	EMBLEM, L. FUEL TANK COVER	87122-HN7-000	ZC	ZA	ZB	
12	EMBLEM, R. FUEL TANK COVER	87121-HN7-000	ZC	ZA	ZB	
13	FENDER, FR.	61100-HN7-000	ZA	ZB	ZC	
14	FENDER, RR.	80100-HN4-M00	ZA	ZB	ZC	
15	GRILLE, FR.	66300-HN7-000	ZA	ZA	ZA	
16	GUARD, FR. PIPE	81170-HN7-000	ZA	ZA	ZA	
17	LABEL, COLOR	87565-HN4-M00	ZC	ZA	ZB	
18	LEVER, PETCOCK	16963-HM8-000	ZA	ZA	ZA	
19	LID, RR. FENDER	80311-HN7-000	ZA	ZB	ZC	
20	LID, TOOL BOX	80211-HN7-000	ZA	ZA	ZA	
21	LID, UTILITY BOX	83670-HN5-M40	ZA	ZB	ZC	
22	MARK, HONDA	87127-HN7-000	ZC	ZA	ZB	
23	MARK, SIDE COVER	87126-HN5-M40	ZC	ZA	ZB	
24	MUDGUARD, L. CENTER	80122-HN5-M40	ZA	ZA	ZA	
25	MUDGUARD, L. FR. (LOWER)	61868-HN5-M50	ZA	ZA	ZA	
26	MUDGUARD, L. FR. SIDE	61866-HN7-000	ZA	ZA	ZA	
27	MUDGUARD, L. RR.	80251-HN7-000	ZA	ZA	ZA	
28	MUDGUARD, L. RR. SIDE	80221-HN7-000	ZA	ZA	ZA	
29	MUDGUARD, R. CENTER	80121-HN5-M50	ZA	ZA	ZA	
30	MUDGUARD, R. FR. (LOWER)	61863-HN5-M50	ZA	ZA	ZA	
31	MUDGUARD, R. FR. SIDE	61861-HN7-000	ZA	ZA	ZA	
32	MUDGUARD, R. RR.	80250-HN7-000	ZA	ZA	ZA	
33	MUDGUARD, R. RR. SIDE	80220-HN7-000	ZA	ZA	ZA	
34	PIPE, FR. CARRY	81150-HN7-000	ZA	ZA	ZA	
35	PLATE, FR. SKID	81160-HN7-000	ZA	ZA	ZA	
36	SEAT	77100-HN7-000	ZB	ZB	ZB	
37	SPACER, ACCESSORY SOCKET (INNER)	61104-HN5-670	ZA	ZA	ZA	
38	SPACER, ACCESSORY SOCKET (OUTER)	61103-HN5-670	ZB	ZB	ZB	

COLOR TABLE

TRX350TM'04 2004

No.	DESCRIPTION	COLOR CODE	G152	R232	Y151	A R E A
		BASE COLOR	Adventure green G152	Patriot red R232	Starburst yellow Y151R	
		BASIC PART NO.				
39	WHEEL SUB-ASSY., FR.	44650-HN4-M00	ZA	ZA	ZA	
40	WHEEL SUB-ASSY., RR.	42650-HN4-M00	ZA	ZA	ZA	

BULK HOSE PART NUMBER PATTERN

Construction of Fuel and Vacuum Hose Part Number

Example: 9 5 0 0 1 - 7 5 0 0 1 - 4 0 M

Roll Hose

All roll hose part numbers have an "M" in this position

Appearance Code

Fuel Hose:

- 2 = Red, braided exterior
- 3 = Red
- 4 = Ash Gray with red stripe
- 5 = Black, braided interior
- 6 = Black

Vinyl Hose:

- 1 = Ash Gray
- 2 = Black
- 3 = Light Red
- 6 = Light Red
- 7 = Pale Black

Vacuum Hose:

- 1 = Ash Gray
- 2 = Ash Gray
- 3 = Black
- 5 = Black

Length

Cut Hose length is in *Millimeters (mm)*

Bulk Hose length is in *Meters (M)*

Inside Diameter

Fuel and Vacuum Hose

- | | |
|-----------------------|------------------------------|
| 35 = 3.5 mm | 11 = 11 mm |
| 45 = 4.5 mm | 91 = 12 (outside dia. 15) mm |
| 50 = 5.0 mm | 92 = 12 (outside dia. 16) mm |
| 55 = 5.3 mm or 5.5 mm | 12 = 12 (outside dia. 17) mm |
| 65 = 6.5 mm | 14 = 14 mm |
| 70 = 7.0 mm | 17 = 17 mm |
| 75 = 7.3 mm or 7.5 mm | |
| 80 = 8.0 mm | |

ID./OD. Code : Vinyl Hose

- | | | |
|--------------------------|----------------------------|----------------------------|
| 01 = ID. 2.9, OD. 6.8 mm | 14 = ID. 6.0, OD. 9.0 mm | 37 = ID. 11.0, OD. 15.0 mm |
| 03 = ID. 3.0, OD. 6.0 mm | 17 = ID. 7.0, OD. 9.0 mm | 38 = ID. 12.0, OD. 13.0 mm |
| 05 = ID. 3.5, OD. 6.5 mm | 19 = ID. 7.0, OD. 11.0 mm | 39 = ID. 12.0, OD. 14.0 mm |
| 07 = ID. 4.0, OD. 7.0 mm | 21 = ID. 8.0, OD. 9.0 mm | 40 = ID. 12.0, OD. 16.0 mm |
| 08 = ID. 4.5, OD. 6.5 mm | 23 = ID. 8.0, OD. 12.0 mm | 43 = ID. 13.0, OD. 15.0 mm |
| 09 = ID. 4.5, OD. 8.0 mm | 25 = ID. 9.0, OD. 11.0 mm | 45 = ID. 14.0, OD. 18.0 mm |
| 12 = ID. 5.0, OD. 7.0 mm | 27 = ID. 9.0, OD. 13.0 mm | 50 = ID. 16.0, OD. 19.0 mm |
| 10 = ID. 5.0, OD. 8.0 mm | 33 = ID. 10.0, OD. 14.0 mm | 55 = ID. 17.5, OD. 20.5 mm |
| 11 = ID. 5.0, OD. 9.0 mm | 36 = ID. 11.0, OD. 13.0 mm | 60 = ID. 22.0, OD. 27.0 mm |

Hose Type:

- 1 = Fuel Hose
- 3 = Vinyl Hose
- 5 = Vacuum Hose

CAUTION: Never use vacuum / or vinyl hose in place of fuel hose or vice versa

MASTER INDEX

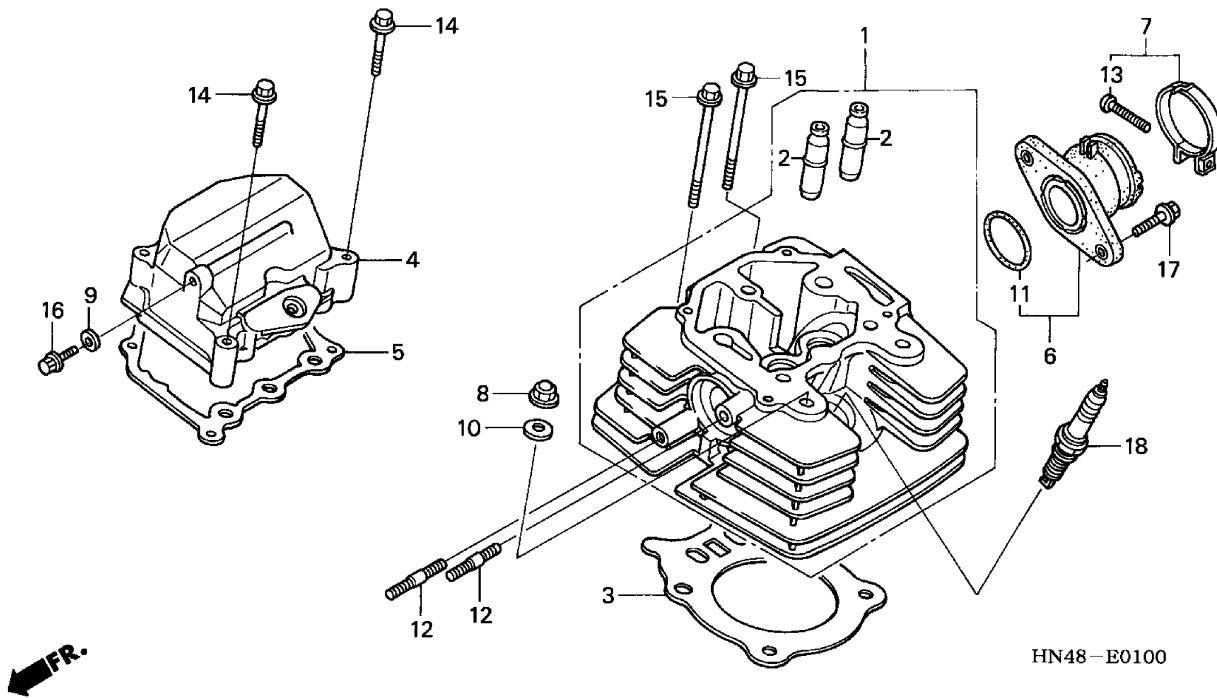
Title	Grid	Page	Title	Grid	Page
ENGINE SECTION			REAR FENDER	1-F10	2-52
CYLINDER HEAD	1-C1	1-2	TAILLIGHT	1-F11	2-54
CAMSHAFT	1-C2	1-4	BATTERY	1-F11	2-55
CAM CHAIN	1-C3	1-6	WIRE HARNESS	1-F12	2-56
CYLINDER	1-C3	1-7	FRAME	1-F13	2-58
FRONT CRANKCASE COVER (TE/FE)	1-C4	1-8	OIL COOLER	1-F14	2-60
FRONT CRANKCASE COVER (TM/FM)	1-C5	1-10	COOLING FAN	1-F14	2-61
CLUTCH	1-C6	1-12	CARRIER	1-F15	2-62
OIL PUMP	1-C7	1-14	TOOLS	1-F15	2-63
REAR CRANKCASE COVER	1-C8	1-16	LABELS	1-F16	2-64
ALTERNATOR	1-C9	1-18	MARKS	1-G1	2-66
STARTING CLUTCH	1-C9	1-19	METER	1-G2	2-68
STARTER MOTOR	1-C10	1-20	COOLING FAN KIT	1-G3	2-70
CRANKCASE	1-C10	1-21			
CRANKSHAFT • PISTON	1-C11	1-23			
TRANSMISSION	1-C12	1-25			
GEARSHIFT FORK	1-C14	1-28			
FINAL SHAFT	1-C15	1-30			
RECOIL STARTER	1-C15	1-31			
CARBURETOR	1-C16	1-33			
FRAME SECTION					
HEADLIGHT	1-E1	2-2			
METER	1-E1	2-3			
HANDLE LEVERS • SWITCHES • CABLES	1-E2	2-4			
FR. BRAKE MASTER CYLINDER	1-E3	2-6			
HANDLEBAR (1)	1-E4	2-8			
HANDLEBAR (2)	1-E4	2-9			
STEERING SHAFT	1-E5	2-11			
TIE ROD	1-E6	2-13			
FRONT FENDER	1-E7	2-14			
FRONT SHOCK ABSORBER	1-E8	2-16			
FRONT ARM (2WD)	1-E8	2-17			
FRONT ARM (4WD)	1-E9	2-18			
KNUCKLE (2WD)	1-E9	2-19			
KNUCKLE (4WD)	1-E10	2-20			
FRONT FINAL GEAR	1-E11	2-22			
FRONT BRAKE PANEL	1-E13	2-26			
FRONT WHEEL	1-E14	2-28			
REAR WHEEL	1-E15	2-30			
REAR BRAKE PANEL	1-E15	2-31			
FINAL DRIVEN GEAR	1-F1	2-34			
FUEL TANK	1-F2	2-37			
BODY COVER	1-F3	2-39			
SEAT	1-F5	2-42			
AIR CLEANER	1-F5	2-43			
MUFFLER	1-F6	2-45			
STEP	1-F7	2-47			
SWINGARM	1-F8	2-49			
REAR SHOCK ABSORBER	1-F9	2-51			

ENGINE SECTION

Chapter Table of Contents

Page Title	Grid	Page
CYLINDER HEAD	1-C1	1-2
CAMSHAFT	1-C2	1-4
CAM CHAIN	1-C3	1-6
CYLINDER	1-C3	1-7
FRONT CRANKCASE COVER (TE/FE)	1-C4	1-8
FRONT CRANKCASE COVER (TM/FM)	1-C5	1-10
CLUTCH	1-C6	1-12
OIL PUMP	1-C7	1-14
REAR CRANKCASE COVER	1-C8	1-16
ALTERNATOR	1-C9	1-18
STARTING CLUTCH	1-C9	1-19
STARTER MOTOR	1-C10	1-20
CRANKCASE	1-C10	1-21
CRANKSHAFT • PISTON	1-C11	1-23
TRANSMISSION	1-C12	1-25
GEARSHIFT FORK	1-C14	1-28
FINAL SHAFT	1-C15	1-30
RECOIL STARTER	1-C15	1-31
CARBURETOR	1-C16	1-33

CYLINDER HEAD



HN48E0100

4A=TRX350TM'04
4B=TRX350TE'04
4C=TRX350FM'04
4D=TRX350FE'04

E-1

Engine
Serial Number

Ref	Description	Model	From	To	AREA	QTY	Part Number	H/C
1	CYLINDER HEAD.....	4A 4B 4C 4D	-----	-----		1	12200-HN5-M00	7075922
2	GUIDE, VALVE (OS)	4A 4B 4C 4D	-----	-----		2	12204-HN0-305	6815963
3	GASKET, CYLINDER HEAD	4A 4B 4C 4D	-----	-----		1	12251-HN5-671	6312615
4	COVER, CYLINDER HEAD	4A 4B 4C 4D	-----	-----		1	12311-HN5-670	6312631
5	GASKET, HEAD COVER	4A 4B 4C 4D	-----	-----		1	12315-HN5-671	6312649
6	INSULATOR, CARBURETOR	4A 4B 4C 4D	-----	-----		1	16210-HN5-671	6313126
7	BAND, INSULATOR.....	4A 4B 4C 4D	-----	-----		1	16219-HC4-000	2724904
8	NUT, FLANGE CAP (10MM)	4A 4B 4C 4D	-----	-----		2	90201-HA0-000	2049757
	NUT, FLANGE CAP (10MM)	4A 4B 4C 4D	-----	-----		2	90202-HA0-000	2049765
9	WASHER, SEALING (6MM).....	4A 4B 4C 4D	-----	-----		1	90441-706-000	0163600
10	WASHER (10MM).....	4A 4B 4C 4D	-----	-----		2	90465-MM9-000	2902229
11	O-RING (33.7X2.4).....	4A 4B 4C 4D	-----	-----		1	91305-HN5-671	6314876
12	BOLT, STUD (8X25).....	4A 4B 4C 4D	-----	-----		2	92900-08025-0B	1715747
13	SCREW, PAN (5X28).....	4A 4B 4C 4D	-----	-----		1	93500-05028-0G	0923821
14	BOLT, FLANGE (6X40)	4A 4B 4C 4D	-----	-----		4	95701-06040-00	2410942
15	BOLT, FLANGE (6X110)	4A 4B 4C 4D	-----	-----		2	95701-06110-00	2519759
16	BOLT, FLANGE (6X12)	4A 4B 4C 4D	-----	-----		1	96001-06012-00	2105930
17	BOLT, FLANGE (6X22)	4A 4B 4C 4D	-----	-----		2	96001-06022-00	2112191

CYLINDER HEAD

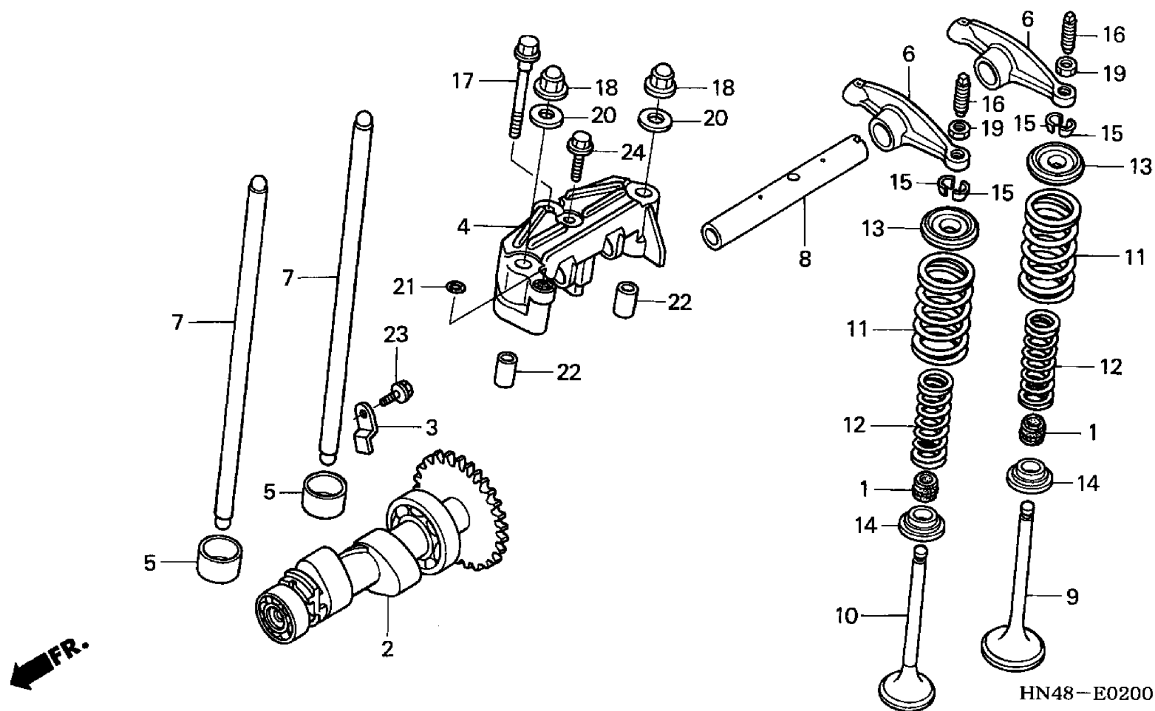
4A=TRX350TM'04
 4B=TRX350TE'04
 4C=TRX350FM'04
 4D=TRX350FE'04

E-1

Engine
 Serial Number

Ref	Description	Model	From	To	AREA	QTY	Part Number	H/C
18	SPARK PLUG (DPR6EA-9) (NGK).....	4A 4B 4C 4D	-----	-----		(1)	98069-56916	1938646
	SPARK PLUG (X20EPR-U9) (DENSO)	4A 4B 4C 4D	-----	-----		(1)	98069-56926	1938653
	SPARK PLUG (DPR7EA-9) (NGK).....	4A 4B 4C 4D	-----	-----		1	98069-57916	1103076
	SPARK PLUG (X22EPR-U9) (DENSO)	4A 4B 4C 4D	-----	-----		1	98069-57926	1096817

CAMSHAFT



HN48E0200

4A=TRX350TM'04
4B=TRX350TE'04
4C=TRX350FM'04
4D=TRX350FE'04

E-2

Engine
Serial Number

Ref	Description	Model	From	To	AREA	QTY	Part Number	H/C
1	SEAL, VALVE STEM	4A 4B 4C 4D	-----	-----		2	12209-KL4-005	1777879
2	CAMSHAFT	4A 4B 4C 4D	-----	-----		1	14100-HN5-M00	7118342
3	PLATE, CAM FIXING	4A 4B 4C 4D	-----	-----		1	14115-HN5-670	6312854
4	HOLDER, ROCKER ARM	4A 4B 4C 4D	-----	-----		1	14411-HN5-670	6312870
5	FOLLOWER, CAM	4A 4B 4C 4D	-----	-----		2	14421-HM7-000	4686606
6	ARM, VALVE ROCKER	4A 4B 4C 4D	-----	-----		2	14431-HM8-000	5307798
7	ROD, PUSH	4A 4B 4C 4D	-----	-----		2	14440-HN5-670	6312888
8	SHAFT, ROCKER ARM	4A 4B 4C 4D	-----	-----		1	14451-HN5-670	6312896
9	VALVE, IN.	4A 4B 4C 4D	-----	-----		1	14711-HN5-M00	7076193
10	VALVE, EX.	4A 4B 4C 4D	-----	-----		1	14721-HN5-M00	7076201
11	SPRING, VALVE (OUTER)	4A 4B 4C 4D	-----	-----		2	14751-HN0-A00	5746409
12	SPRING, VALVE (INNER)	4A 4B 4C 4D	-----	-----		2	14761-HM8-000	5307863
13	RETAINER, VALVE SPRING	4A 4B 4C 4D	-----	-----		2	14771-KE5-000	1819648
14	SEAT, VALVE SPRING	4A 4B 4C 4D	-----	-----		2	14775-HN0-670	6815971
15	COTTER, VALVE	4A 4B 4C 4D	-----	-----		4	14781-HA0-770	2419612
16	SCREW, TAPPET ADJ.	4A 4B 4C 4D	-----	-----		2	90012-426-000	0768499
17	BOLT, SPECIAL (8MM)	4A 4B 4C 4D	-----	-----		1	90081-HB3-000	2132173
18	NUT, FLANGE CAP (10MM)	4A 4B 4C 4D	-----	-----		2	90201-HA0-000	2049757

CAMSHAFT

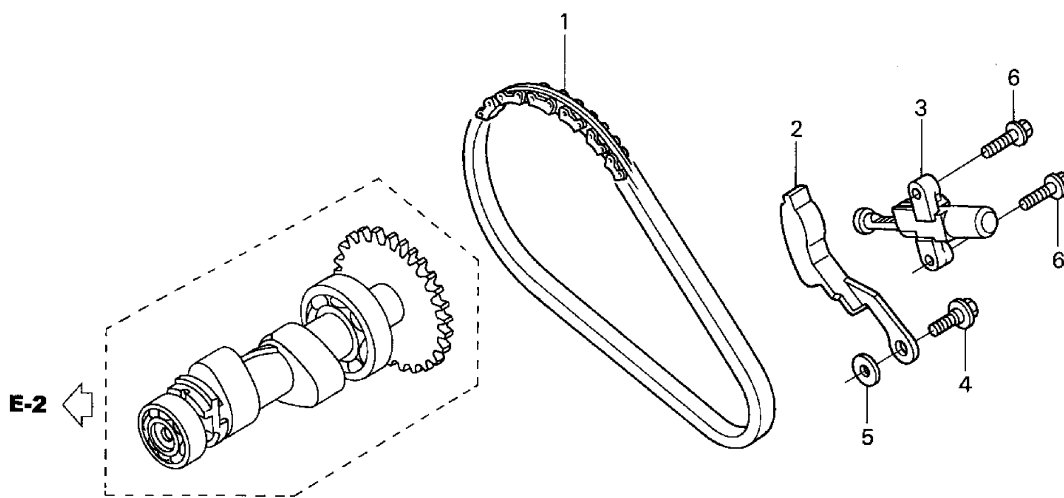
4A=TRX350TM'04
 4B=TRX350TE'04
 4C=TRX350FM'04
 4D=TRX350FE'04

E-2

Engine
 Serial Number

Ref	Description	Model	From	To	AREA	QTY	Part Number	H/C
18	NUT, FLANGE CAP (10MM)	4A 4B 4C 4D	-----	-----		2	90202-HA0-000	2049765
19	NUT, TAPPET ADJ.	4A 4B 4C 4D	-----	-----		2	90206-250-000	0040139
20	WASHER (10MM).....	4A 4B 4C 4D	-----	-----		2	90465-MM9-000	2902229
21	O-RING (7.7X2.5).....	4A 4B 4C 4D	-----	-----		1	91303-428-003	0685016
22	PIN, KNOCK (12X16).....	4A 4B 4C 4D	-----	-----		2	94301-12160	0165316
23	BOLT, FLANGE (6X16)	4A 4B 4C 4D	-----	-----		1	95701-06016-00	2410892
24	BOLT, FLANGE (6X18)	4A 4B 4C 4D	-----	-----		1	95700-06018-00	0481184
	BOLT, FLANGE (6X18)	4A 4B 4C 4D	-----	-----		1	95701-06018-00	2410900

CAM CHAIN



HN48-E0300

HN48E0300

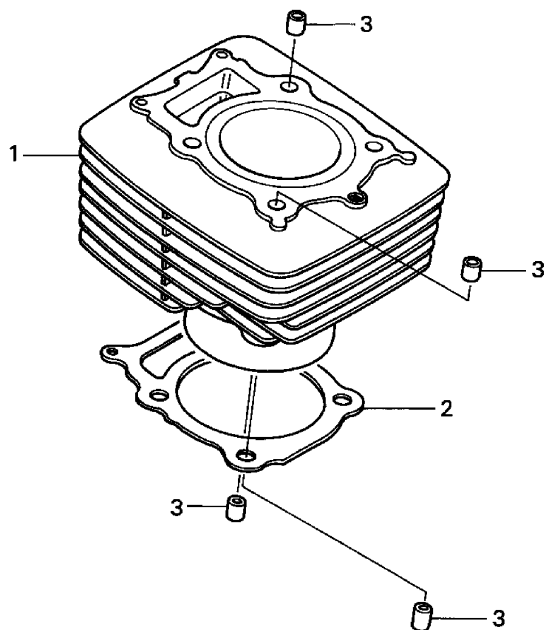
4A=TRX350TM'04
4B=TRX350TE'04
4C=TRX350FM'04
4D=TRX350FE'04

E-3

Engine
Serial Number

Ref	Description	Model	From	To	AREA	QTY	Part Number	H/C
1	CHAIN, CAM (DIDSCR-0409SDH-52LE)....	4A 4B 4C 4D	-----	-----		1	14401-HN5-671	6312862
2	TENSIONER, CAM CHAIN.....	4A 4B 4C 4D	-----	-----		1	14510-HN5-670	6312904
3	ADJUSTER, TENSIONER	4A 4B 4C 4D	-----	-----		1	14540-HN5-671	6312912
4	PIVOT, SHIFT DRUM STOPPER ARM	4A 4B 4C 4D	-----	-----		1	90022-MG8-000	2045862
5	WASHER (6.1MM)	4A 4B 4C 4D	-----	-----		1	90435-HB3-000	2137719
6	BOLT, FLANGE (6X22)	4A 4B 4C 4D	-----	-----		2	95701-06022-08	2129682

CYLINDER



HN44-E0400

HN44E0400

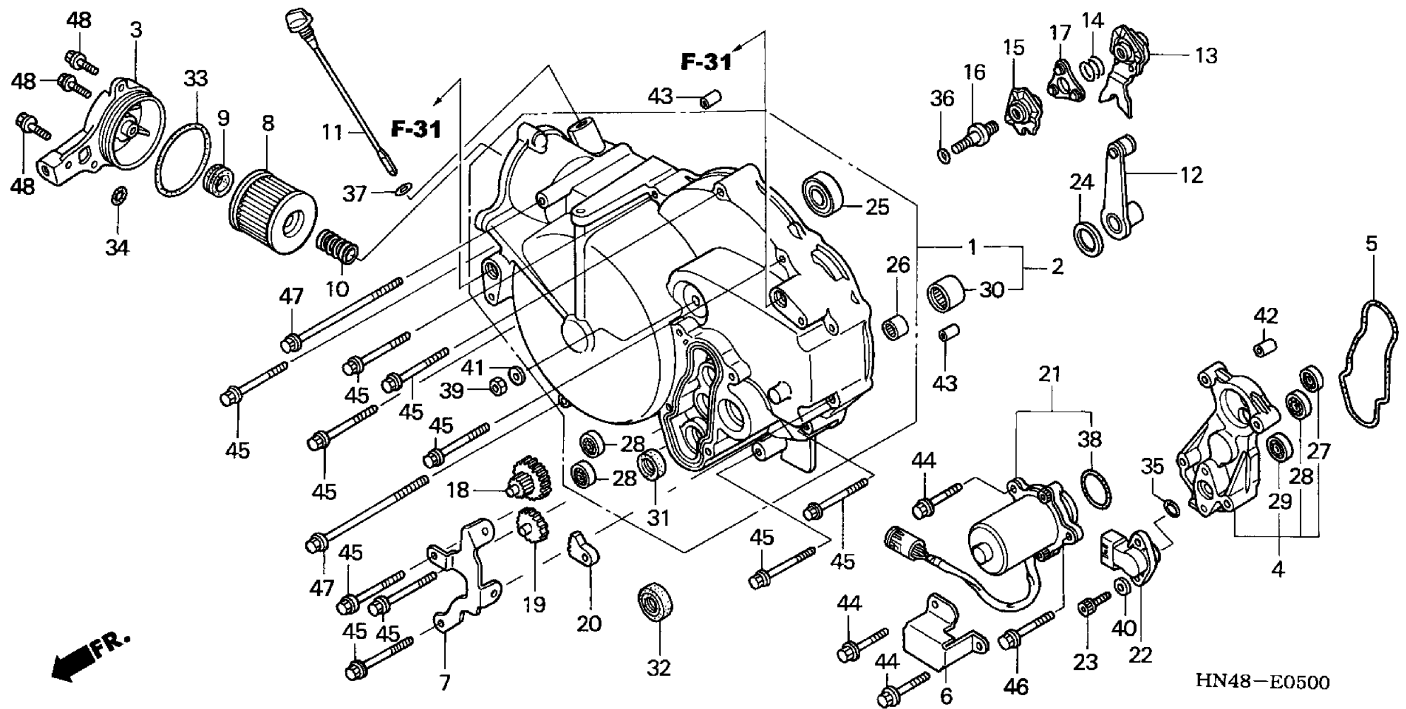
4A=TRX350TM'04
 4B=TRX350TE'04
 4C=TRX350FM'04
 4D=TRX350FE'04

E-4

Engine
 Serial Number

Ref	Description	Model	From	To	AREA	QTY	Part Number	H/C
1	CYLINDER	4A 4B 4C 4D	-----	-----		1	12100-HN5-670	6312581
2	GASKET, CYLINDER	4A 4B 4C 4D	-----	-----		1	12191-HN5-670	6312599
3	PIN, KNOCK (12X16)	4A 4B 4C 4D	-----	-----		4	94301-12160	0165316

FRONT CRANKCASE COVER (TE/FE)



HN48E0500

4A=TRX350TM'04
 4B=TRX350TE'04
 4C=TRX350FM'04
 4D=TRX350FE'04

E-5

Engine
 Serial Number

Ref	Description	Model	From	To	AREA	QTY	Part Number	H/C
1	COVER, FR. CRANKCASE	4B	-----	-----		1	11330-HN4-A70	7076425
2	COVER, FR. CRANKCASE	4D	-----	-----		1	11330-HN5-M10	7075880
3	COVER, OIL FILTER	4B 4D	-----	-----		1	11333-HN5-670	6312466
4	COVER, REDUCTION GEAR	4B 4D	-----	-----		1	11335-HN5-A10	6312474
5	O-RING, REDUCTION GEAR COVER	4B 4D	-----	-----		1	11337-HN5-A10	6312482
6	PROTECTOR, ANGLE SENSOR.....	4B 4D	-----	-----		1	11339-HN5-A10	6312490
7	STAY, L. FR. ENGINE COVER	4B 4D	-----	-----		1	11380-HN5-670	6312557
8	ELEMENT, OIL FILTER	4B 4D	-----	-----		1	15412-HM5-A10	5419221
9	RUBBER, FILTER	4B 4D	-----	-----		1	15413-MC8-000	1233907
10	SPRING, OIL FILTER ELEMENT SETTING	4B 4D	-----	-----		1	15414-KF0-000	1417229
11	DIPSTICK, OIL	4B 4D	-----	-----		1	15650-HN5-670	6372320
12	LEVER, CLUTCH	4B 4D	-----	-----		1	22810-HM7-700	4806238
13	PLATE, CLUTCH CAM.....	4B 4D	-----	-----		1	22820-HN5-670	6313316
14	SPRING, CAM PLATE SIDE	4B 4D	-----	-----		1	22825-HN0-671	7094469
15	PLATE, CLUTCH LIFTER	4B 4D	-----	-----		1	22830-HN5-670	6313324
16	BOLT, CLUTCH ADJUSTING	4B 4D	-----	-----		1	22841-HC4-000	2725380
17	RETAINER, BALL.....	4B 4D	-----	-----		1	22860-HB3-000	2130607
18	GEAR, REDUCTION (41T/10T)	4B 4D	-----	-----		1	24615-HN0-771	6763361

FRONT CRANKCASE COVER (TE/FE)

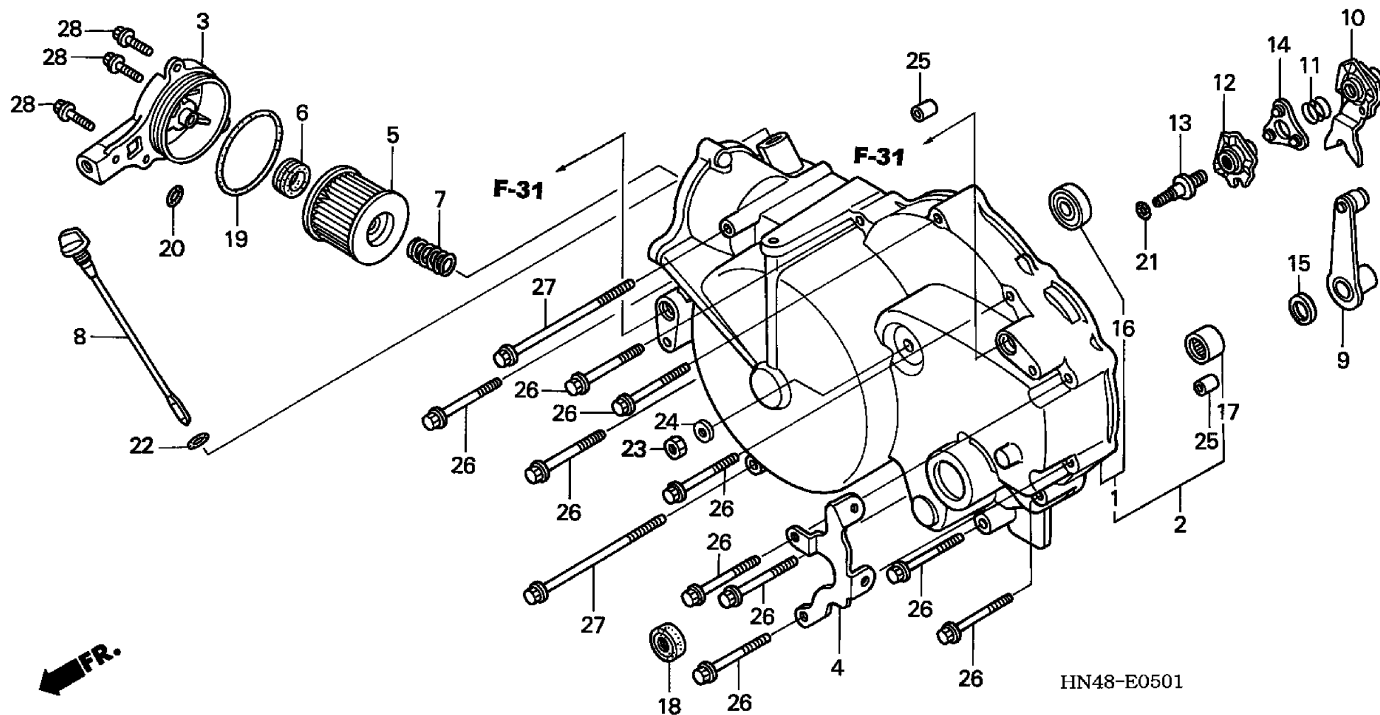
4A=TRX350TM'04
 4B=TRX350TE'04
 4C=TRX350FM'04
 4D=TRX350FE'04

E-5

Engine
Serial Number

Ref	Description	Model	From	To	AREA	QTY	Part Number	H/C
19	GEAR, REDUCTION (40T/12T)	4B 4D	-----	-----		1	24616-HN0-771	6763379
20	GEAR, REDUCTION (7T).....	4B 4D	-----	-----		1	24617-HN0-771	6763387
21	MOTOR ASSY., CONTROL	4B 4D	-----	-----		1	31300-HN5-A11	6313878
22	SENSOR ASSY., ANGLE.....	4B 4D	-----	-----		1	38800-HM8-A50	6768667
23	BOLT, SOCKET (5MM)	4B 4D	-----	-----		2	90116-KCY-671	4956306
24	WASHER (10X21.5).....	4B 4D	-----	-----		1	90413-GE0-000	4688602
25	BEARING, RADIAL BALL (15X32X9).....	4B 4D	-----	-----		1	91009-HF1-671	3473287
26	BEARING, NEEDLE (1010) (NTN).....	4B 4D	-----	-----		1	91021-HN0-671	6782759
27	BEARING, RADIAL BALL (696ZZ).....	4B 4D	-----	-----		1	91050-HN0-A11	5814520
28	BEARING, RADIAL BALL (626ZZ).....	4B 4D	-----	-----		3	91060-HN0-A11	5750526
29	BEARING, RADIAL BALL (698ZZ).....	4B 4D	-----	-----		1	91070-HN0-A11	5814538
30	BEARING, RR. SWINGARM PIVOT (TOYO).....	4D	-----	-----		1	91071-KS6-004	2159648
31	OIL SEAL (10X20X5) (ARAI)	4B 4D	-----	-----		1	91201-KM1-005	1938075
	OIL SEAL (10X20X5)	4B 4D	-----	-----		1	91202-HC0-003	2519601
32	OIL SEAL (20X28X5) (KOYO)	4D	-----	-----		1	91204-HC4-005	2728905
33	O-RING (54X2.4) (ARAI)	4B 4D	-----	-----		1	91302-KF0-003	1490952
34	O-RING (12.7X1.9).....	4B 4D	-----	-----		1	91304-HN5-670	6314868
35	O-RING, ANGLE SENSOR	4B 4D	-----	-----		1	91308-HN0-A10	5750559
36	O-RING (8.2X1.5).....	4B 4D	-----	-----		1	91308-MC7-000	1216134
37	O-RING (8.4X2.4).....	4B 4D	-----	-----		1	91316-MJ8-003	1768746
38	O-RING, MOTOR	4B 4D	-----	-----		1	91351-HM8-A51	6857502
39	NUT, HEX. (8MM).....	4B 4D	-----	-----		1	94030-08000	0114686
40	WASHER, PLAIN (5MM)	4B 4D	-----	-----		2	94101-05800	0285791
41	WASHER, PLAIN (8MM)	4B 4D	-----	-----		1	94102-08800	0562215
42	PIN A, DOWEL (8X10)	4B 4D	-----	-----		1	94301-08100	0081711
43	PIN A, DOWEL (8X14)	4B 4D	-----	-----		2	94301-08140	0069310
44	BOLT, FLANGE (6X40)	4B 4D	-----	-----		3	95701-06040-00	2410942
45	BOLT, FLANGE (6X45)	4B 4D	-----	-----		10	95701-06045-00	2529089
	BOLT, FLANGE (6X45)	4B 4D	-----	-----		10	95701-06045-07	2410967
46	BOLT, FLANGE (6X45)	4B 4D	-----	-----		1	95701-06045-08	2552537
47	BOLT, FLANGE (6X105)	4B 4D	-----	-----		2	95701-06105-00	5374327
48	BOLT, FLANGE (6X18)	4B 4D	-----	-----		3	96001-06018-00	2105963

FRONT CRANKCASE COVER (TM/FM)



HN48E0501

4A=TRX350TM'04
 4B=TRX350TE'04
 4C=TRX350FM'04
 4D=TRX350FE'04

E-5-1

Engine
 Serial Number

Ref	Description	Model	From	To	AREA	QTY	Part Number	H/C
1	COVER, FR. CRANKCASE	4A	-----	-----		1	11330-HN4-A60	7076417
2	COVER, FR. CRANKCASE	4C	-----	-----		1	11330-HN5-M00	7075872
3	COVER, OIL FILTER	4A 4C	-----	-----		1	11333-HN5-670	6312466
4	STAY, L. FR. ENGINE COVER	4A 4C	-----	-----		1	11380-HN5-670	6312557
5	ELEMENT, OIL FILTER	4A 4C	-----	-----		1	15412-HM5-A10	5419221
6	RUBBER, FILTER	4A 4C	-----	-----		1	15413-MC8-000	1233907
7	SPRING, OIL FILTER ELEMENT SETTING	4A 4C	-----	-----		1	15414-KF0-000	1417229
8	DIPSTICK, OIL	4A 4C	-----	-----		1	15650-HN5-670	6372320
9	LEVER, CLUTCH	4A 4C	-----	-----		1	22810-HM7-700	4806238
10	PLATE, CLUTCH CAM.....	4A 4C	-----	-----		1	22820-HN5-670	6313316
11	SPRING, CAM PLATE SIDE	4A 4C	-----	-----		1	22825-HN0-671	7094469
12	PLATE, CLUTCH LIFTER	4A 4C	-----	-----		1	22830-HN5-670	6313324
13	BOLT, CLUTCH ADJUSTING	4A 4C	-----	-----		1	22841-HC4-000	2725380
14	RETAINER, BALL.....	4A 4C	-----	-----		1	22860-HB3-000	2130607
15	WASHER (10X21.5).....	4A 4C	-----	-----		1	90413-GE0-000	4688602
16	BEARING, RADIAL BALL (15X32X9).....	4A 4C	-----	-----		1	91009-HF1-671	3473287
17	BEARING, RR. SWINGARM PIVOT (TOYO).....	4C	-----	-----		1	91071-KS6-004	2159648

FRONT CRANKCASE COVER (TM/FM)

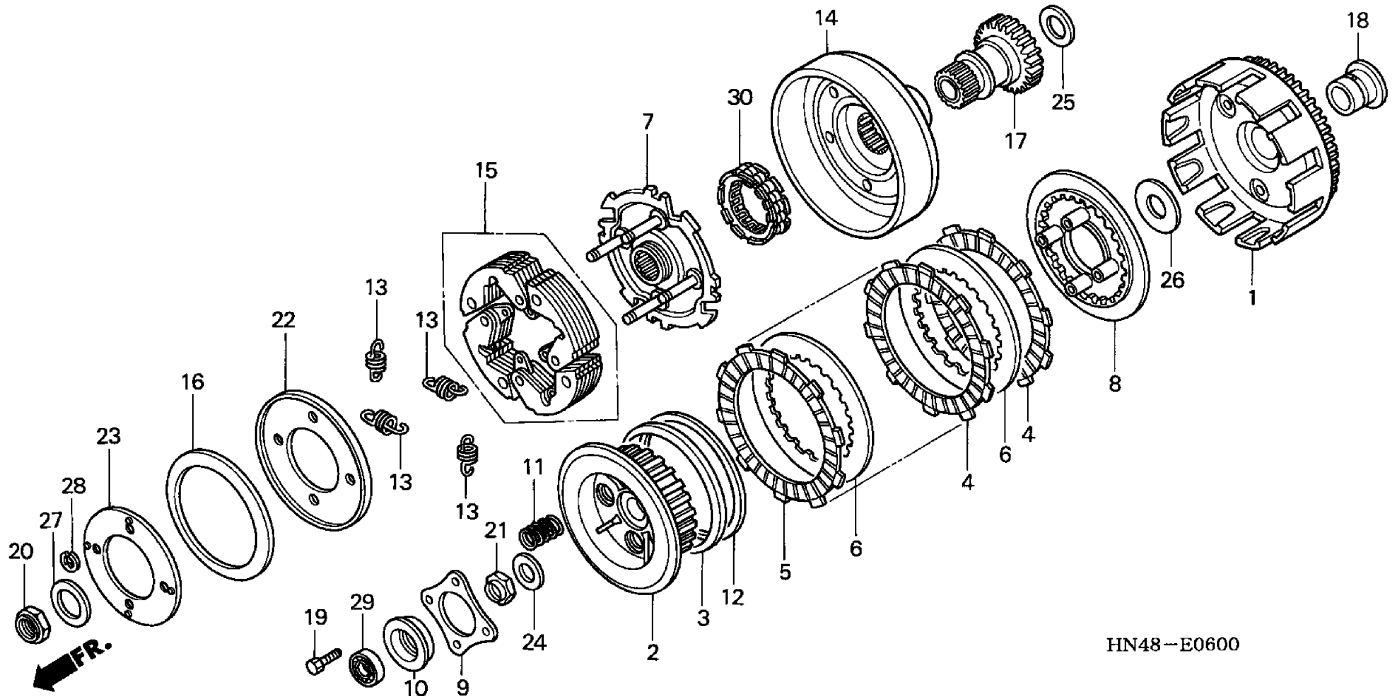
4A=TRX350TM'04
 4B=TRX350TE'04
 4C=TRX350FM'04
 4D=TRX350FE'04

E-5-1

Engine
Serial Number

Ref	Description	Model	From	To	AREA	QTY	Part Number	H/C
18	OIL SEAL (20X28X5) (KOYO)	4C	-----	-----		1	91204-HC4-005	2728905
19	O-RING (54X2.4) (ARAI)	4A 4C	-----	-----		1	91302-KF0-003	1490952
20	O-RING (12.7X1.9).....	4A 4C	-----	-----		1	91304-HN5-670	6314868
21	O-RING (8.2X1.5).....	4A 4C	-----	-----		1	91308-MC7-000	1216134
22	O-RING (8.4X2.4).....	4A 4C	-----	-----		1	91316-MJ8-003	1768746
23	NUT, HEX. (8MM).....	4A 4C	-----	-----		1	94030-08000	0114686
24	WASHER, PLAIN (8MM)	4A 4C	-----	-----		1	94102-08800	0562215
25	PIN A, DOWEL (8X14)	4A 4C	-----	-----		2	94301-08140	0069310
26	BOLT, FLANGE (6X45)	4A 4C	-----	-----		10	95701-06045-00	2529089
	BOLT, FLANGE (6X45)	4A 4C	-----	-----		10	95701-06045-07	2410967
27	BOLT, FLANGE (6X105)	4A 4C	-----	-----		2	95701-06105-00	5374327
28	BOLT, FLANGE (6X18)	4A 4C	-----	-----		3	96001-06018-00	2105963

CLUTCH



HN48-E0600

HN48E0600

4A=TRX350TM'04
4B=TRX350TE'04
4C=TRX350FM'04
4D=TRX350FE'04

E-6

Engine
Serial Number

Ref	Description	Model	From	To	AREA	QTY	Part Number	H/C
1	CLUTCH OUTER	4A 4B 4C 4D	-----	-----		1	22100-HN5-670	6313233
2	CENTER, CLUTCH	4A 4C	-----	-----		1	22121-HM7-000	4687133
	CENTER, CLUTCH	4B 4D	-----	-----		1	22121-HN5-A10	6313241
3	SEAT, JUDDER SPRING.....	4B 4D	-----	-----		1	22125-435-000	0788802
4	DISK, CLUTCH FRICTION.....	4A 4C	-----	-----		5	22201-ML4-610	2329019
	DISK, CLUTCH FRICTION.....	4A 4C	-----	-----		5	22201-377-000	0385971
	DISK, CLUTCH FRICTION.....	4B 4D	-----	-----		5	22201-MAV-000	5389788
5	DISK, CLUTCH FRICTION.....	4A 4C	-----	-----		1	22201-ML4-610	2329019
	DISK, CLUTCH FRICTION.....	4A 4C	-----	-----		1	22201-377-000	0385971
	DISK B, CLUTCH FRICTION	4B 4D	-----	-----		1	22202-MAE-000	4516308
6	PLATE, CLUTCH	4A 4B 4C 4D	-----	-----		5	22321-HN0-670	6816144
7	PLATE, DRIVE	4A 4B 4C 4D	-----	-----		1	22350-HN5-M00	7083801
8	PLATE, CLUTCH PRESSURE.....	4A 4B 4C 4D	-----	-----		1	22351-HA7-670	2100691
9	PLATE, CLUTCH LIFTER	4A 4B 4C 4D	-----	-----		1	22366-HN0-670	6816169
10	COLLAR, CLUTCH LIFTER	4A 4B 4C 4D	-----	-----		1	22367-HN0-670	6755540
11	SPRING, CLUTCH	4A 4C	-----	-----		4	22401-HN5-670	6373153
	SPRING, CLUTCH	4B 4D	-----	-----		4	22401-HN5-A10	6313266
12	SPRING, JUDDER.....	4B 4D	-----	-----		1	22402-435-000	0788810

CLUTCH

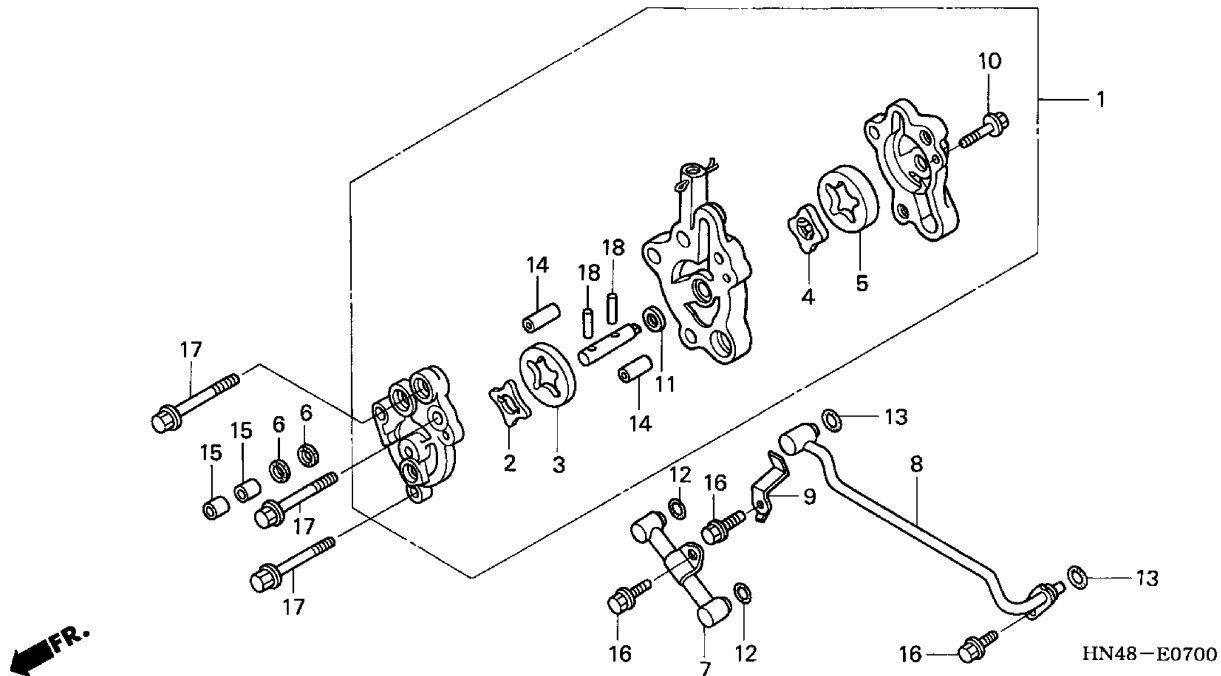
4A=TRX350TM'04
 4B=TRX350TE'04
 4C=TRX350FM'04
 4D=TRX350FE'04

E-6

Engine
 Serial Number

Ref	Description	Model	From	To	AREA	QTY	Part Number	H/C
13	SPRING, CLUTCH DRIVE	4A 4B 4C 4D	-----	-----		4	22451-HN5-670	6313274
14	CLUTCH OUTER	4A 4B 4C 4D	-----	-----		1	22500-HN5-M00	7076409
15	WEIGHT SET, CLUTCH.....	4A 4B 4C 4D	-----	-----		1	22535-HN5-670	6313290
16	SPRING, CONE DISK	4A 4B 4C 4D	-----	-----		1	22714-HN5-670	6313308
17	GEAR, DRIVE.....	4A 4B 4C 4D	-----	-----		1	23120-HN5-670	6313332
18	BUSH (22MM)	4A 4B 4C 4D	-----	-----		1	23213-HA0-000	1820802
19	BOLT, HEX. (6X25)	4A 4B 4C 4D	-----	-----		4	90001-HN0-670	6779029
20	NUT, LOCK (20MM).....	4A 4B 4C 4D	-----	-----		1	90235-HM7-000	4713384
21	NUT, LOCK (18MM).....	4A 4B 4C 4D	-----	-----		1	90236-HN5-M00	7118425
22	WASHER (58X110X1.0).....	4A 4B 4C 4D	-----	-----		1	90406-HN5-670	6314694
23	WASHER (58X99X1.6).....	4A 4B 4C 4D	-----	-----		1	90407-HN5-670	6314702
24	WASHER, SPECIAL (18MM)	4A 4B 4C 4D	-----	-----		1	90432-MR1-000	2866382
25	WASHER, THRUST (27X40)	4A 4B 4C 4D	-----	-----		1	90457-HC4-000	2728723
26	WASHER, THRUST (22X45X0.8)	4A 4B 4C 4D	-----	-----		1	90458-HN0-670	6816441
27	WASHER, THRUST (20MM)	4A 4B 4C 4D	-----	-----		1	90459-KB4-670	1187772
28	CIRCLIP (7MM)	4A 4B 4C 4D	-----	-----		4	90605-166-720	1478635
29	BEARING, BALL (6903) (KOYO)	4A 4B 4C 4D	-----	-----		1	91008-HC4-004	2728772
30	CLUTCH, ONE-WAY	4A 4B 4C 4D	-----	-----		1	91101-HA0-004	4083051

OIL PUMP



HN48E0700

4A=TRX350TM'04
 4B=TRX350TE'04
 4C=TRX350FM'04
 4D=TRX350FE'04

E-7

Engine
 Serial Number

Ref	Description	Model	From	To	AREA	QTY	Part Number	H/C
1	PUMP ASSY., OIL	4A 4B 4C 4D	-----	-----		1	15100-HN5-M00	7075955
2	ROTOR B, OIL PUMP (INNER)	4A 4B 4C 4D	-----	-----		1	15121-HN5-M01	7075963
3	ROTOR B, OIL PUMP (OUTER)	4A 4B 4C 4D	-----	-----		1	15122-HN5-M01	7075971
4	ROTOR B, OIL PUMP (INNER)	4A 4B 4C 4D	-----	-----		1	15126-HN2-003	6433940
5	ROTOR B, OIL PUMP (OUTER)	4A 4B 4C 4D	-----	-----		1	15127-HN2-003	6433957
6	SEAL, RUBBER	4A 4B 4C 4D	-----	-----		2	15152-HN5-671	6312987
7	PIPE A, OIL	4A 4B 4C 4D	-----	-----		1	15310-HN5-670	6313001
8	PIPE B, OIL	4A 4B 4C 4D	-----	-----		1	15320-HN5-670	6313019
9	PLATE B, OIL PIPE FIXING	4A 4B 4C 4D	-----	-----		1	15325-HN5-670	6313027
10	BOLT, FLANGE (5X25)	4A 4B 4C 4D	-----	-----		1	90014-HN5-M00	7076037
11	WASHER, THRUST (11MM)	4A 4B 4C 4D	-----	-----		1	90456-333-000	0440362
12	O-RING (11X1.9) (NOK).....	4A 4B 4C 4D	-----	-----		2	91303-HA0-004	1842384
13	O-RING (10X2) (ARAI).....	4A 4B 4C 4D	-----	-----		2	91304-HA5-003	2028835
14	PIN, DOWEL (8X20).....	4A 4B 4C 4D	-----	-----		2	94301-08200	1417369
15	PIN, DOWEL (10X12).....	4A 4B 4C 4D	-----	-----		2	94301-10120	2028900
16	BOLT, FLANGE (6X16)	4A 4B 4C 4D	-----	-----		3	95701-06016-00	2410892
17	BOLT, FLANGE (6X45)	4A 4B 4C 4D	-----	-----		3	95701-06045-00	2529089
	BOLT, FLANGE (6X45)	4A 4B 4C 4D	-----	-----		3	95701-06045-07	2410967

OIL PUMP

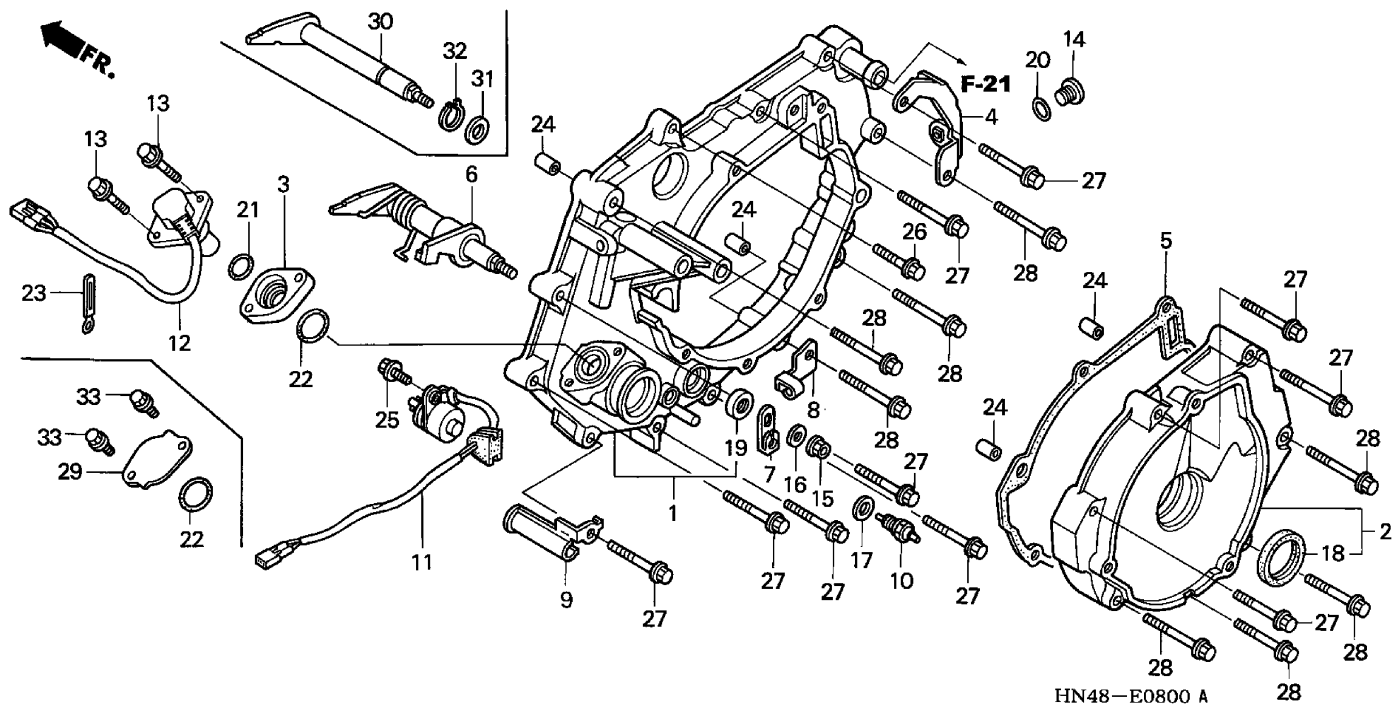
4A=TRX350TM'04
 4B=TRX350TE'04
 4C=TRX350FM'04
 4D=TRX350FE'04

E-7

Engine
 Serial Number

Ref	Description	Model	From	To	AREA	QTY	Part Number	H/C
18	ROLLER (4X15.8)	4A 4B 4C 4D	-----	-----		2	96220-40158	0345066

REAR CRANKCASE COVER



4A=TRX350TM'04
 4B=TRX350TE'04
 4C=TRX350FM'04
 4D=TRX350FE'04

E-8

Engine
 Serial Number

Ref	Description	Model	From	To	AREA	QTY	Part Number	H/C
1	COVER, RR. CRANKCASE	4A 4C	-----	-----		1	11340-HN5-M00	7075898
	COVER, RR. CRANKCASE	4B 4D	-----	-----		1	11340-HN5-M10	7075906
2	COVER, ALTERNATOR.....	4A 4B 4C 4D	-----	-----		1	11350-HN5-670	6312516
3	INSULATOR, SPEED SENSOR.....	4B 4D	-----	-----		1	11358-HN5-M10	7118334
4	STAY, R. RR. ENGINE COVER.....	4A 4B 4C 4D	-----	-----		1	11370-HN5-670	6312540
5	GASKET, ALTERNATOR COVER.....	4A 4B 4C 4D	-----	-----		1	11396-HN5-670	6312573
6	SHAFT, REVERSE STOPPER.....	4B 4D	-----	-----		1	24860-HN5-M10	7119233
7	LEVER, REVERSE STOPPER.....	4A 4B 4C 4D	-----	-----		1	24865-HN5-670	6313720
8	HOLDER, REVERSE STOPPER WIRE.....	4A 4B 4C 4D	-----	-----		1	24871-HN5-670	6313738
9	CLAMP, THERMO SENSOR WIRE.....	4A 4B 4C 4D	-----	-----		1	32855-HN5-670	6313944
10	SWITCH ASSY., NEUTRAL (TOYO)	4B 4D	-----	-----		1	35600-HA0-003	2666436
11	SWITCH ASSY., CHANGE.....	4A 4C	-----	-----		1	35759-HN4-M00	7542251
	SWITCH ASSY., CHANGE.....	4B 4D	-----	-----		1	35759-HN5-A11	6313985
12	SENSOR ASSY., SPEED.....	4B 4D	-----	-----		1	37700-HN5-M51	7542277
13	BOLT, FLANGE (6X25) (NSHF).....	4B 4D	-----	-----		2	90004-GHB-670	4774170
14	CAP (14MM).....	4A 4B 4C 4D	-----	-----		1	90084-KY2-000	3117728
15	NUT, U (6MM)	4A 4B 4C 4D	-----	-----		1	90301-473-003	1187707
16	WASHER, CRANK ARM	4A 4B 4C 4D	-----	-----		1	90545-044-000	0127902

REAR CRANKCASE COVER

4A=TRX350TM'04
 4B=TRX350TE'04
 4C=TRX350FM'04
 4D=TRX350FE'04

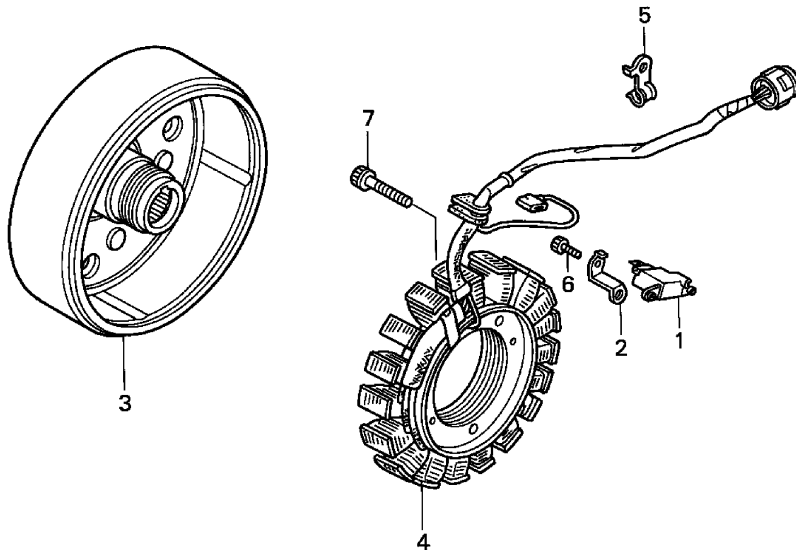
E-8

Engine
Serial Number

Ref	Description	Model	From	To	AREA	QTY	Part Number	H/C
17	WASHER, OIL BOLT	4B 4D	-----	-----		1	90545-300-000	0189902
18	OIL SEAL (24X34X7)	4A 4B 4C 4D	-----	-----		1	91201-HN5-671	6314801
19	OIL SEAL (12X22X5)	4A 4C	-----	-----		1	91201-965-000	1404771
	OIL SEAL (10X20X5)	4B 4D	-----	-----		1	91202-HC0-003	2519601
20	O-RING (13.8X2.5).....	4A 4B 4C 4D	-----	-----		1	91303-377-000	0499525
21	O-RING (18.3X2.4) (NOK)	4B 4D	-----	-----		1	91321-PF4-004	2129211
22	O-RING (22.1X1.9).....	4A 4B 4C 4D	-----	-----		1	91361-MT3-003	3488236
23	CLIP (6X20)	4B 4D	-----	-----		1	91410-679-000	0840215
24	PIN A, DOWEL (8X14)	4A 4B 4C 4D	-----	-----		4	94301-08140	0069310
25	BOLT, FLANGE (6X14)	4A 4B 4C 4D	-----	-----		1	95701-06014-00	2410884
26	BOLT, FLANGE (6X25)	4A 4B 4C 4D	-----	-----		1	95701-06025-00	2105831
27	BOLT, FLANGE (6X35)	4A 4B 4C 4D	-----	-----		10	95701-06035-00	2105864
28	BOLT, FLANGE (6X45)	4A 4B 4C 4D	-----	-----		8	95701-06045-00	2529089
	BOLT, FLANGE (6X45)	4A 4B 4C 4D	-----	-----		8	95701-06045-07	2410967
29	CAP, SPEED SENSOR	4A 4C	-----	-----		1	11356-HN5-M00	7118326
30	PLATE A, REVERSE STOPPER	4A 4C	-----	-----		1	24860-HN5-M00	7118367
31	WASHER, THRUST (12MM)	4A 4C	-----	-----		1	90452-166-600	0914150
32	CIRCLIP (OUTER) (12MM)	4A 4C	-----	-----		1	94510-12000	0112847
33	BOLT, FLANGE (6X14)	4A 4C	-----	-----		2	95701-06014-00	2410884

ALTERNATOR

FR. ←



HN44-E0900

HN44E0900

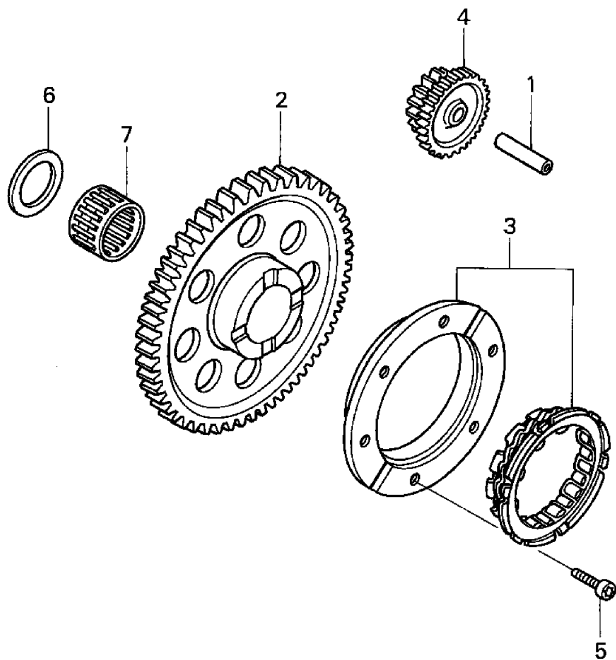
4A=TRX350TM'04
4B=TRX350TE'04
4C=TRX350FM'04
4D=TRX350FE'04

E-9

Engine
Serial Number

Ref	Description	Model	From	To	AREA	QTY	Part Number	H/C
1	GENERATOR, PULSE (TOYO)	4A 4B 4C 4D	-----	-----		1	30300-HA0-033	2956373
2	CLAMP, PULSER WIRE.....	4A 4B 4C 4D	-----	-----		1	30301-HN5-670	6313829
3	FLYWHEEL (DENSO)	4A 4B 4C 4D	-----	-----		1	31110-HN5-671	6373674
	FLYWHEEL	4A 4B 4C 4D	-----	-----		1	31110-HN5-672	6313845
4	STATOR.....	4A 4B 4C 4D	-----	-----		1	31120-HN5-M01	7119258
	STATOR.....	4A 4B 4C 4D	-----	-----		1	31120-HN5-M02	7118375
5	CLIP, ALTERNATOR WIRE	4A 4B 4C 4D	-----	-----		1	32921-HN5-670	6313951
6	BOLT, SOCKET (5X12)	4A 4B 4C 4D	-----	-----		2	90089-KR0-000	2909083
7	BOLT, SOCKET (6X25)	4A 4B 4C 4D	-----	-----		3	96700-06025-08	2106102

STARTING CLUTCH



HN48-E1000

HN48E1000

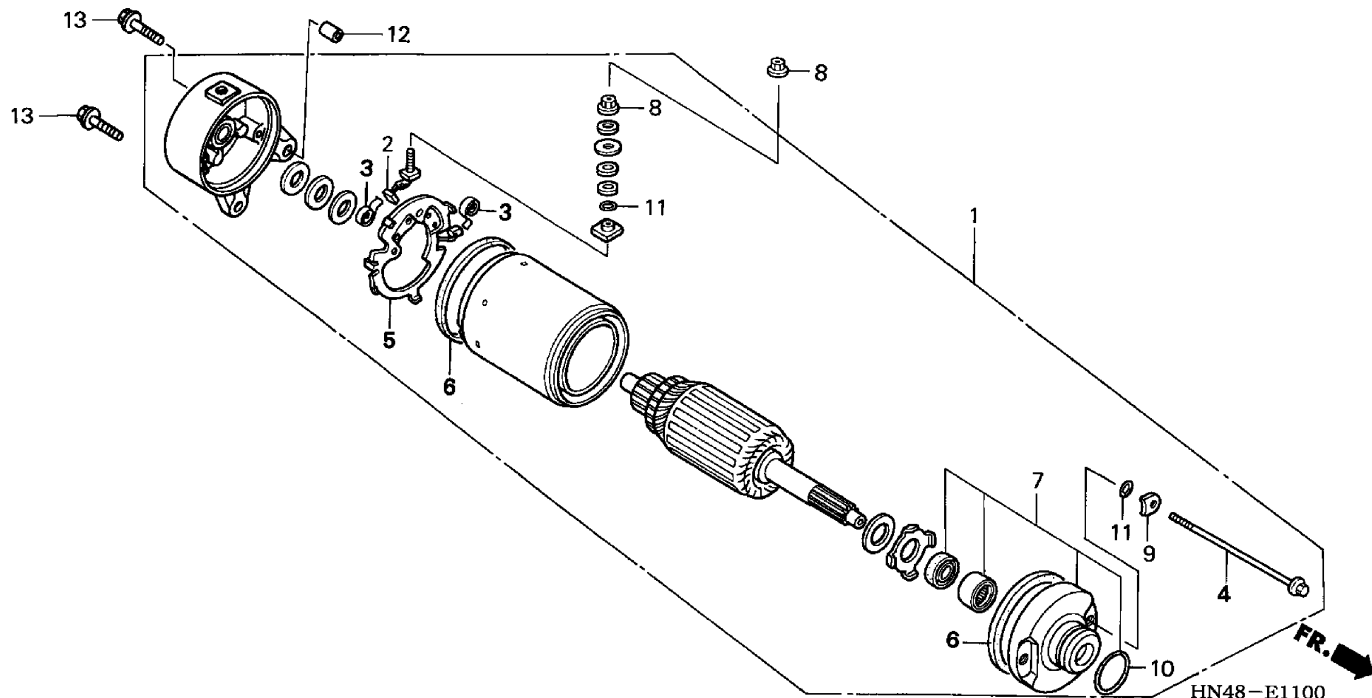
4A=TRX350TM'04
4B=TRX350TE'04
4C=TRX350FM'04
4D=TRX350FE'04

E-10

Engine
Serial Number

Ref	Description	Model	From	To	AREA	QTY	Part Number	H/C
1	PIN (10X44)	4A 4B 4C 4D	-----	-----		1	28102-ME9-000	1368737
2	GEAR, STARTER DRIVEN	4A 4B 4C 4D	-----	-----		1	28110-HN5-670	6313746
3	CLUTCH OUTER, STARTING	4A 4B 4C 4D	-----	-----		1	28125-HN5-671	6313753
4	GEAR, STARTING IDLE	4A 4B 4C 4D	-----	-----		1	28131-HN5-670	6313761
5	BOLT, SOCKET (6MM)	4A 4B 4C 4D	-----	-----		6	90002-HN5-670	6473110
6	WASHER, THRUST (25MM)	4A 4B 4C 4D	-----	-----		1	90456-MA6-000	1395482
7	BEARING, NEEDLE (25X30X23)	4A 4B 4C 4D	-----	-----		1	91108-PE6-008	2170637

STARTER MOTOR



HN48-E1100

HN48E1100

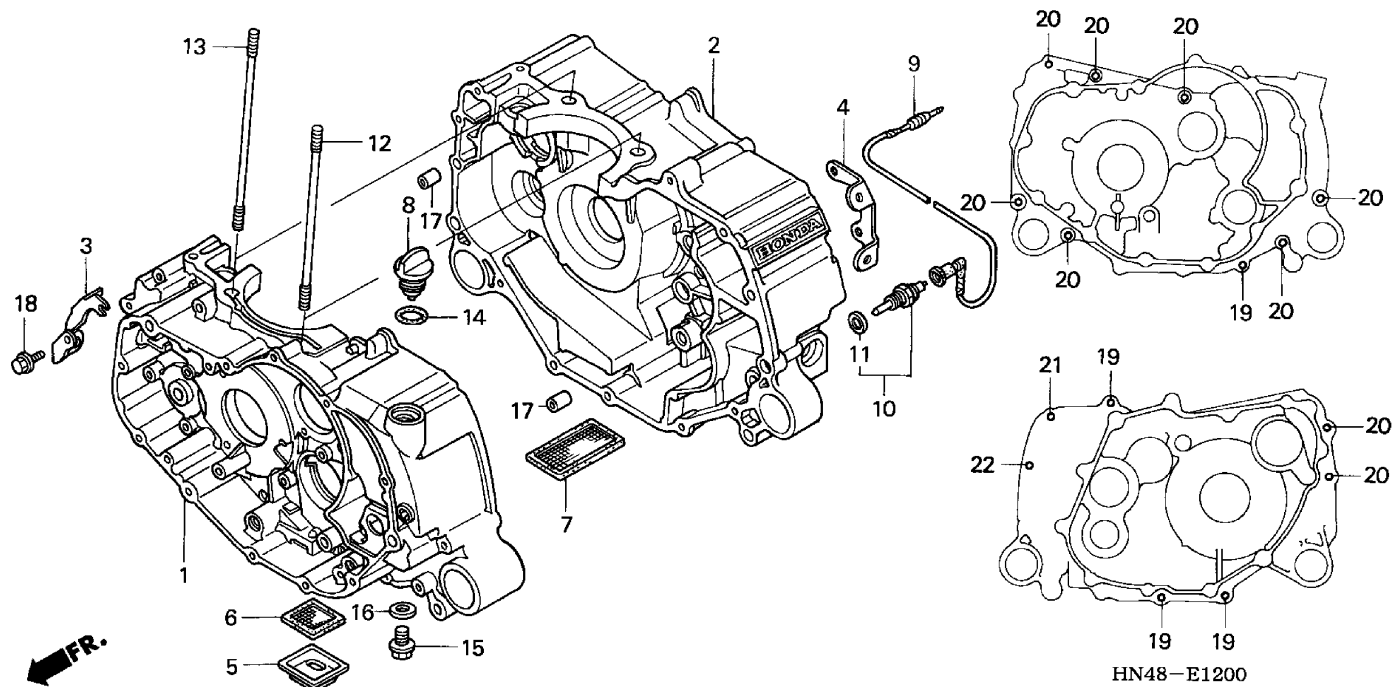
4A=TRX350TM'04
 4B=TRX350TE'04
 4C=TRX350FM'04
 4D=TRX350FE'04

E-11

Engine
 Serial Number

Ref	Description	Model	From	To	AREA	QTY	Part Number	H/C
1	MOTOR ASSY., STARTER	4A 4B 4C 4D	-----	-----		1	31200-HN5-M01	7094964
2	TERMINAL SET, BRUSH (USE FOR MITSUBA STARTER MOTOR SM-13)	4A 4B 4C 4D	-----	-----		1	31201-KS5-901	2541951
3	SPRING, CARBON BRUSH.....	4A 4B 4C 4D	-----	-----		2	31204-KS5-901	2541969
4	BOLT, SETTING.....	4A 4B 4C 4D	-----	-----		2	31205-KL8-711	2907194
5	HOLDER SET, BRUSH	4A 4B 4C 4D	-----	-----		1	31206-MN4-008	2605095
6	RING.....	4A 4B 4C 4D	-----	-----		2	31207-KS5-901	2541985
7	BRACKET, FR.....	4A 4B 4C 4D	-----	-----		1	31210-HM7-003	4769352
8	NUT-WASHER (6MM)	4A 4B 4C 4D	-----	-----		2	90071-MB0-000	1243534
9	WASHER, STEEL PLATE	4A 4B 4C 4D	-----	-----		2	90122-MN4-008	2605483
10	O-RING (24.4X3.1) (ARAI).....	4A 4B 4C 4D	-----	-----		1	91309-425-003	1113422
	O-RING (24.4X3.1).....	4A 4B 4C 4D	-----	-----		1	91312-MG7-003	2618221
11	O-RING.....	4A 4B 4C 4D	-----	-----		3	91320-MB0-000	1292184
12	PIN A, DOWEL (8X14)	4A 4B 4C 4D	-----	-----		1	94301-08140	0069310
13	BOLT, FLANGE (6X32)	4A 4B 4C 4D	-----	-----		2	95701-06032-00	2105856

CRANKCASE



HN48-E1200

HN48E1200

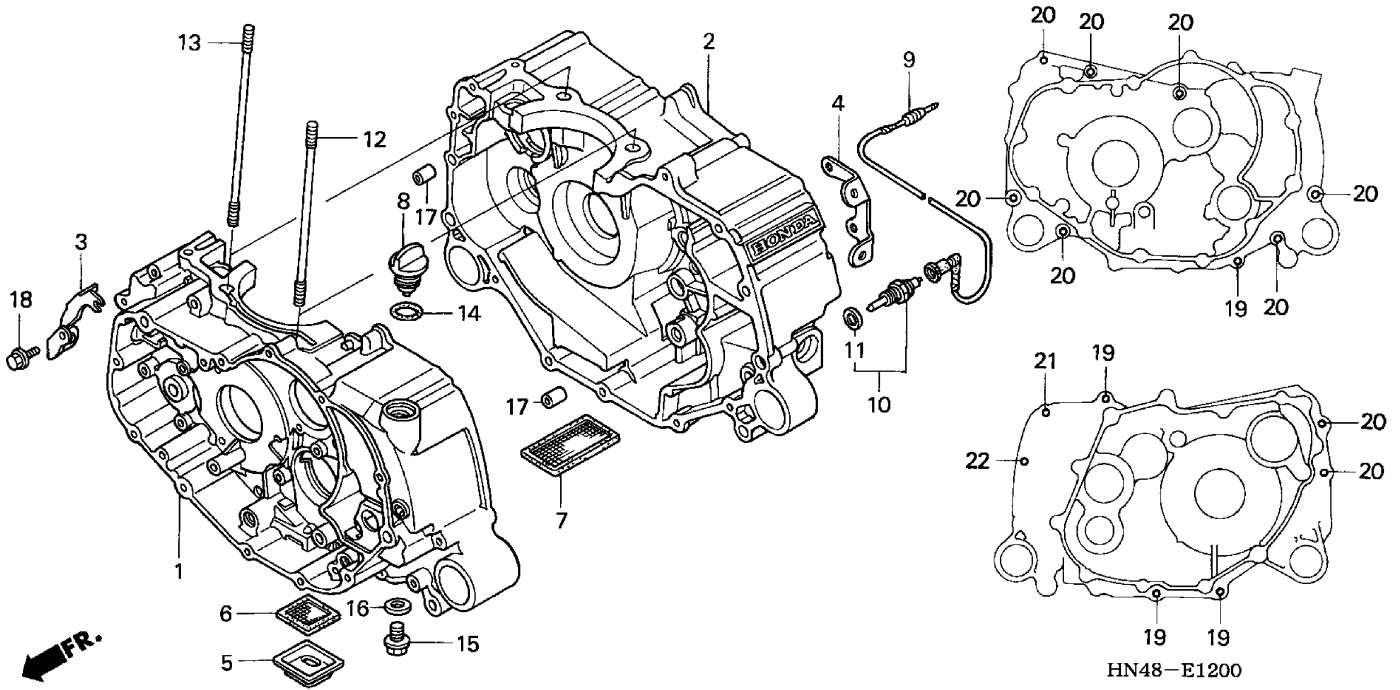
4A=TRX350TM'04
 4B=TRX350TE'04
 4C=TRX350FM'04
 4D=TRX350FE'04

E-12

Engine
 Serial Number

Ref	Description	Model	From	To	AREA	QTY	Part Number	H/C
1	CRANKCASE, FR.	4A 4B 4C 4D	-----	-----		1	11100-HN5-M00	7083785
2	CRANKCASE, RR.....	4A 4B 4C 4D	-----	-----		1	11200-HN5-M00	7075864
3	STAY, R. FR. ENGINE COVER	4A 4B 4C 4D	-----	-----		1	11360-HN5-670	6312532
4	STAY, L. RR. ENGINE COVER	4A 4B 4C 4D	-----	-----		1	11390-HN5-670	6312565
5	STRAINER, OIL	4A 4B 4C 4D	-----	-----		1	15153-HN5-670	6312995
6	SCREEN, OIL FILTER (KOYO)	4A 4B 4C 4D	-----	-----		1	15421-HC4-005	2724730
7	SCREEN, OIL FILTER	4A 4B 4C 4D	-----	-----		1	15421-HN5-671	6313035
8	CAP, OIL FILLER	4A 4B 4C 4D	-----	-----		1	15655-HN5-670	6313043
9	SUB-WIRE, THERMO SENSOR	4A 4B 4C 4D	-----	-----		1	32850-HN5-670	6313936
10	SENSOR ASSY., THERMOSTAT OIL	4A 4B 4C 4D	-----	-----		1	37750-HN5-M40	7450364
11	WASHER, SEAL.....	4A 4B 4C 4D	-----	-----		1	37751-HN5-M40	7450372
12	BOLT, STUD (10X166).....	4A 4B 4C 4D	-----	-----		2	90031-HC0-000	2519213
13	BOLT, STUD (10X206).....	4A 4B 4C 4D	-----	-----		2	90031-HM7-000	4688511
14	O-RING (18X3) (ARAI).....	4A 4B 4C 4D	-----	-----		1	91307-KF0-003	1761766
15	BOLT, DRAIN PLUG (12MM).....	4A 4B 4C 4D	-----	-----		1	92800-12000	0053975
16	WASHER, DRAIN PLUG (12MM).....	4A 4B 4C 4D	-----	-----		1	94109-12000	0171868
17	PIN A, DOWEL (8X14)	4A 4B 4C 4D	-----	-----		2	94301-08140	0069310
18	BOLT, FLANGE (6X20)	4A 4B 4C 4D	-----	-----		1	95701-06020-00	2105815

CRANKCASE



HN48E1200

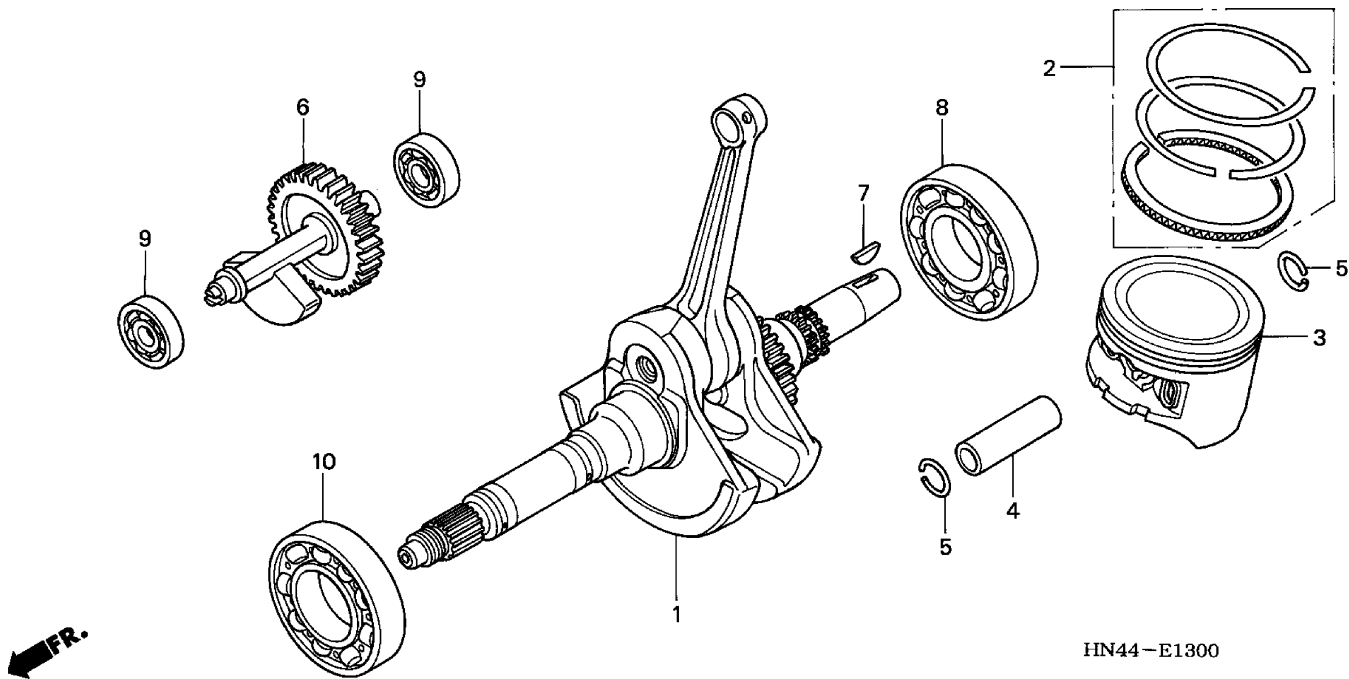
4A=TRX350TM'04
 4B=TRX350TE'04
 4C=TRX350FM'04
 4D=TRX350FE'04

E-12

Engine
 Serial Number

Ref	Description	Model	From	To	AREA	QTY	Part Number	H/C
19	BOLT, FLANGE (6X40)	4A 4B 4C 4D	-----	-----		4	95701-06040-00	2410942
20	BOLT, FLANGE (6X75)	4A 4B 4C 4D	-----	-----		9	95701-06075-00	3794765
21	BOLT, FLANGE (6X105)	4A 4B 4C 4D	-----	-----		1	95701-06105-00	5374327
22	BOLT, FLANGE (6X115)	4A 4B 4C 4D	-----	-----		1	95701-06115-00	2519767

CRANKSHAFT • PISTON



HN44E1300

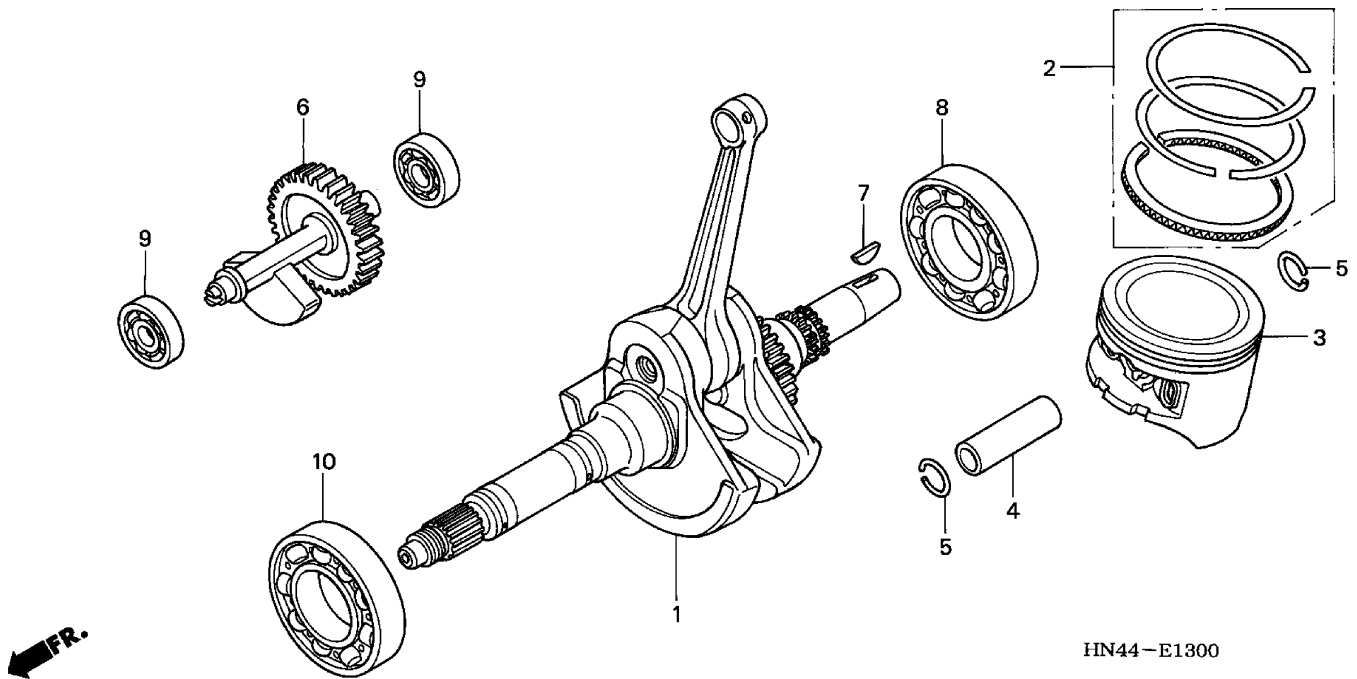
4A=TRX350TM'04
4B=TRX350TE'04
4C=TRX350FM'04
4D=TRX350FE'04

E-13

Engine
Serial Number

Ref	Description	Model	From	To	AREA	QTY	Part Number	H/C
1	CRANKSHAFT	4A 4B 4C 4D	-----	-----		1	13000-HN5-M00	7075948
2	RING SET, PISTON (STD).....	4A 4B 4C 4D	-----	-----		1	13010-HN5-671	6312672
	RING SET, PISTON (STD).....	4A 4B 4C 4D	-----	-----		1	13010-HN5-672	6312680
	RING SET, PISTON (OS 0.25).....	4A 4B 4C 4D	-----	-----		(1)	13011-HN5-671	6312698
	RING SET, PISTON (OS 0.25).....	4A 4B 4C 4D	-----	-----		(1)	13011-HN5-672	6312706
	RING SET, PISTON (0.5).....	4A 4B 4C 4D	-----	-----		(1)	13012-HN5-671	6312714
	RING SET, PISTON (0.5).....	4A 4B 4C 4D	-----	-----		(1)	13012-HN5-672	6312722
	RING SET, PISTON (0.75).....	4A 4B 4C 4D	-----	-----		(1)	13013-HN5-671	6312730
	RING SET, PISTON (0.75).....	4A 4B 4C 4D	-----	-----		(1)	13013-HN5-672	6312748
	RING SET, PISTON (1.00).....	4A 4B 4C 4D	-----	-----		(1)	13014-HN5-671	6312755
	RING SET, PISTON (1.00).....	4A 4B 4C 4D	-----	-----		(1)	13014-HN5-672	6312763
3	PISTON	4A 4B 4C 4D	-----	-----		1	13101-HN5-670	6312771
	PISTON (OS 0.25)	4A 4B 4C 4D	-----	-----		(1)	13102-HN5-670	6312789
	PISTON (OS 0.50)	4A 4B 4C 4D	-----	-----		(1)	13103-HN5-670	6312797
	PISTON (0.75)	4A 4B 4C 4D	-----	-----		(1)	13104-HN5-670	6312805
	PISTON (1.00)	4A 4B 4C 4D	-----	-----		(1)	13105-HN5-670	6312813
4	PIN, PISTON	4A 4B 4C 4D	-----	-----		1	13111-HC0-000	2515328
5	CLIP, PISTON PIN (17MM)	4A 4B 4C 4D	-----	-----		2	13112-HN5-670	6312821

CRANKSHAFT • PISTON



HN44-E1300

HN44E1300

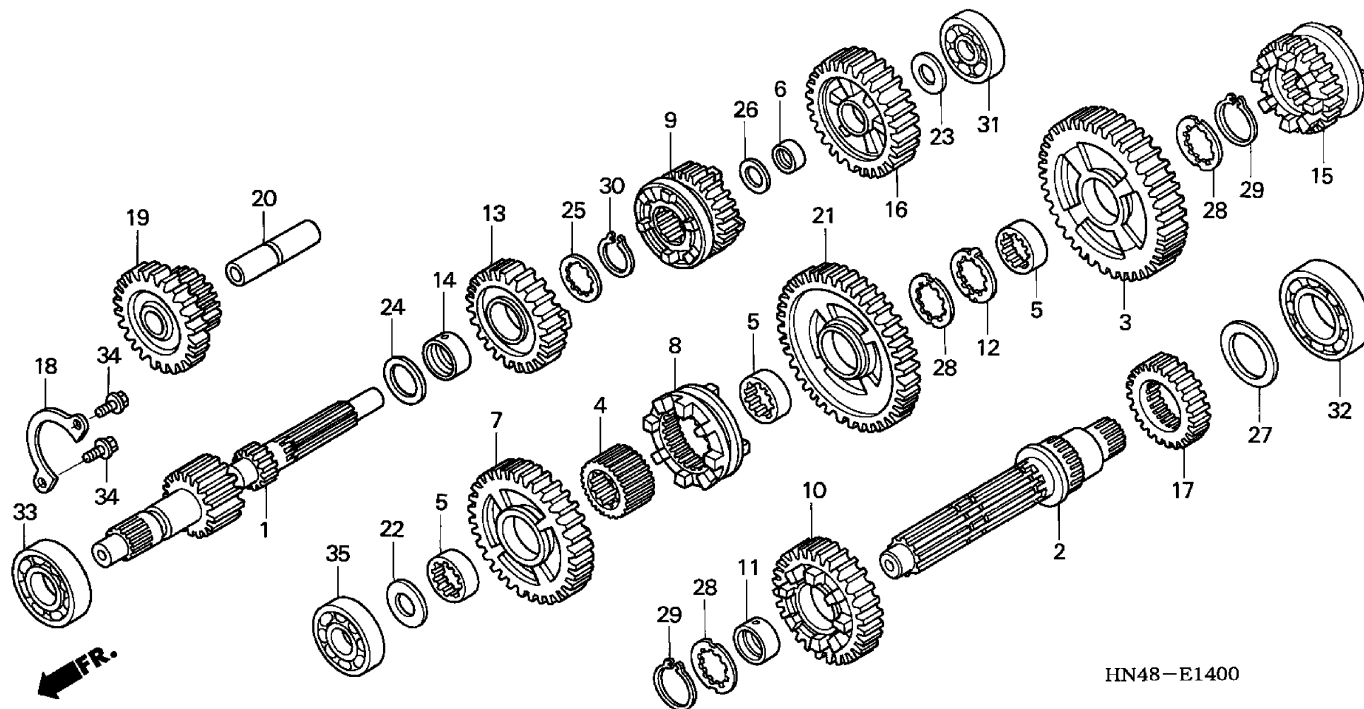
4A=TRX350TM'04
4B=TRX350TE'04
4C=TRX350FM'04
4D=TRX350FE'04

E-13

Engine
Serial Number

Ref	Description	Model	From	To	AREA	QTY	Part Number	H/C
6	SHAFT, BALANCER.....	4A 4B 4C 4D	-----	-----		1	13420-HN5-670	6312839
7	KEY, SPECIAL WOODRUFF (25X14)	4A 4B 4C 4D	-----	-----		1	90741-HN5-670	6314751
8	BEARING, RADIAL BALL (36)	4A 4B 4C 4D	-----	-----		1	91002-HA0-008	1824671
9	BEARING, RADIAL BALL RSH (6203).....	4A 4B 4C 4D	-----	-----		2	91003-HA7-672	2105096
10	BEARING, RADIAL BALL (40X76X17.5)	4A 4B 4C 4D	-----	-----		1	91010-HM7-004	4713392

TRANSMISSION



HN48E1400

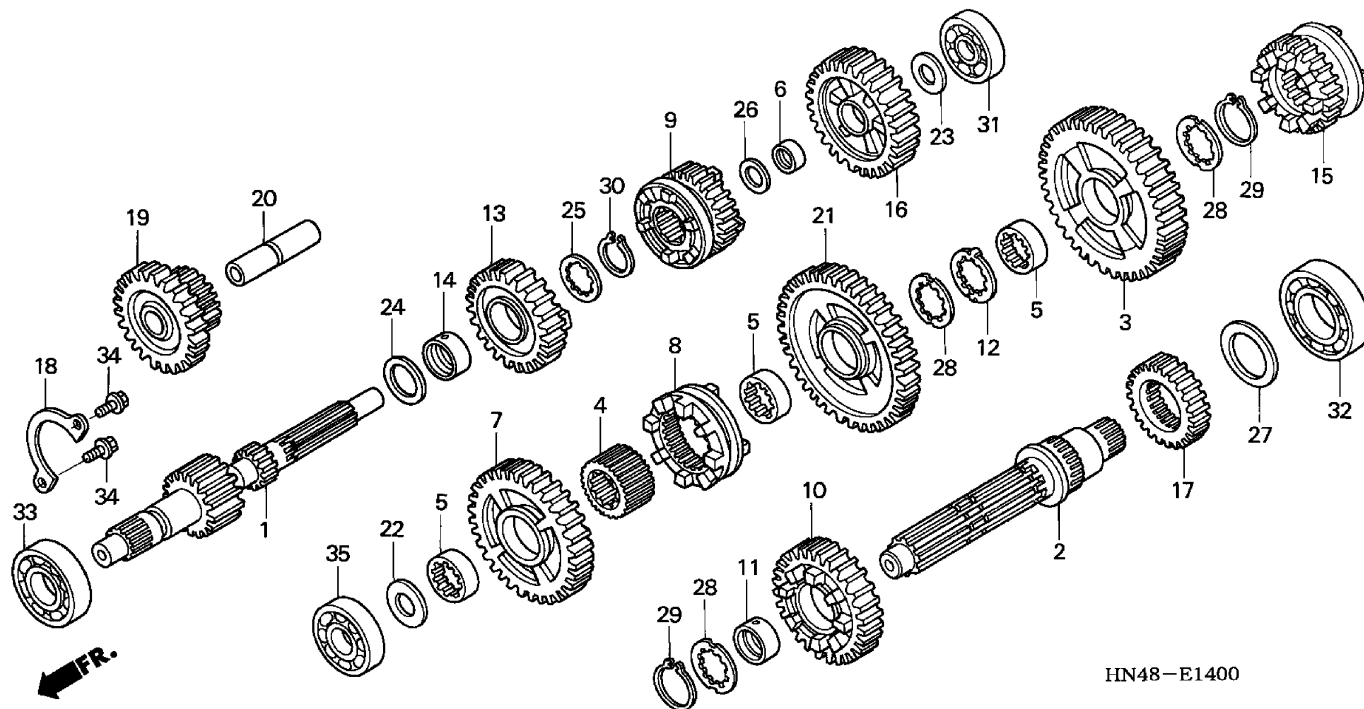
4A=TRX350TM'04
 4B=TRX350TE'04
 4C=TRX350FM'04
 4D=TRX350FE'04

E-14

Engine
 Serial Number

Ref	Description	Model	From	To	AREA	QTY	Part Number	H/C
1	MAINSHAFT, TRANSMISSION (11T/15T)...	4A 4B 4C 4D	-----	-----		1	23211-HN5-M00	7075989
2	COUNTERSHAFT, TRANSMISSION.....	4A 4B 4C 4D	-----	-----		1	23221-HN5-671	6657316
3	GEAR, COUNTERSHAFT LOW.....	4A 4B 4C 4D	-----	-----		1	23411-HN5-670	6313399
4	COLLAR, SPLINE.....	4A 4B 4C 4D	-----	-----		1	23413-HN5-670	6313407
5	BUSH, SPLINE (25X8.6)	4A 4B 4C 4D	-----	-----		3	23414-HN5-670	6313415
6	BUSH (15MM)	4A 4B 4C 4D	-----	-----		1	23415-HB3-000	2135226
7	GEAR, COUNTERSHAFT SECOND	4A 4B 4C 4D	-----	-----		1	23431-HN5-670	6313423
8	SHIFTER, COUNTERSHAFT SECOND & REVERSE GEAR.....	4A 4B 4C 4D	-----	-----		1	23432-HN5-670	6313431
9	GEAR, MAINSHAFT THIRD.....	4A 4B 4C 4D	-----	-----		1	23441-HN5-670	6313449
10	GEAR, COUNTERSHAFT THIRD	4A 4B 4C 4D	-----	-----		1	23451-HN5-670	6313456
11	BUSH (22MM)	4A 4B 4C 4D	-----	-----		1	23452-HB3-000	2135267
12	WASHER, LOCK	4A 4B 4C 4D	-----	-----		1	23456-HN5-670	6313464
13	GEAR, MAINSHAFT FOURTH.....	4A 4B 4C 4D	-----	-----		1	23461-HN5-670	6313472
14	BUSH (20MM)	4A 4B 4C 4D	-----	-----		1	23462-HB3-000	2135291
15	GEAR, COUNTERSHAFT FOURTH	4A 4B 4C 4D	-----	-----		1	23471-HN5-670	6313480
16	GEAR, MAINSHAFT FIFTH	4A 4B 4C 4D	-----	-----		1	23481-HN5-670	6313498
17	GEAR, COUNTERSHAFT FIFTH.....	4A 4B 4C 4D	-----	-----		1	23491-HN5-670	6313506

TRANSMISSION



HN48E1400

4A=TRX350TM'04
 4B=TRX350TE'04
 4C=TRX350FM'04
 4D=TRX350FE'04

E-14

Engine
 Serial Number

Ref	Description	Model	From	To	AREA	QTY	Part Number	H/C
18	PLATE, BEARING SETTING	4A 4B 4C 4D	-----	-----		1	23521-HN5-670	6313514
19	GEAR, REVERSE IDLE	4A 4B 4C 4D	-----	-----		1	23721-HN5-670	6313563
20	SHAFT, REVERSE IDLE	4A 4B 4C 4D	-----	-----		1	23731-HB3-000	2135341
21	GEAR, COUNTERSHAFT REVERSE	4A 4B 4C 4D	-----	-----		1	23751-HN5-670	6313571
22	WASHER, THRUST (15MM)	4A 4B 4C 4D	-----	-----		1	90451-107-000	0215582
23	WASHER, THRUST (15MM)	4A 4B 4C 4D	-----	-----		1	90452-HB3-000	2137735
24	WASHER, THRUST (20MM)	4A 4B 4C 4D	-----	-----		1	90454-107-000	0215616
25	WASHER, SPLINE	4A 4B 4C 4D	-----	-----		1	90455-HN5-670	6314710
26	WASHER, THRUST (15X1)	4A 4B 4C 4D	-----	-----		1	90457-HB3-000	2137743
27	WASHER C, THRUST (25MM)	4A 4B 4C 4D	-----	-----		1	90459-357-000	0322255
28	WASHER, SPLINE (22MM)	4A 4B 4C 4D	-----	-----		3	90464-HN5-670	6314728
29	CIRCLIP (OUTER) (22MM)	4A 4B 4C 4D	-----	-----		2	90601-329-000	0279711
30	SET-RING (20MM)	4A 4B 4C 4D	-----	-----		1	90605-200-000	0097246
31	BEARING, RADIAL BALL SPECIAL (6202U).....	4A 4B 4C 4D	-----	-----		1	91001-HN6-003	6661284
32	BEARING, BALL (25X52X15).....	4A 4B 4C 4D	-----	-----		1	91003-HN0-671	6873269
33	BEARING, BALL (62/22) (NACHI)	4A 4B 4C 4D	-----	-----		1	91002-PL0-018	3098951
	BEARING, BALL (62/22) (TOYO).....	4A 4B 4C 4D	-----	-----		1	91005-657-008	0815324

TRANSMISSION

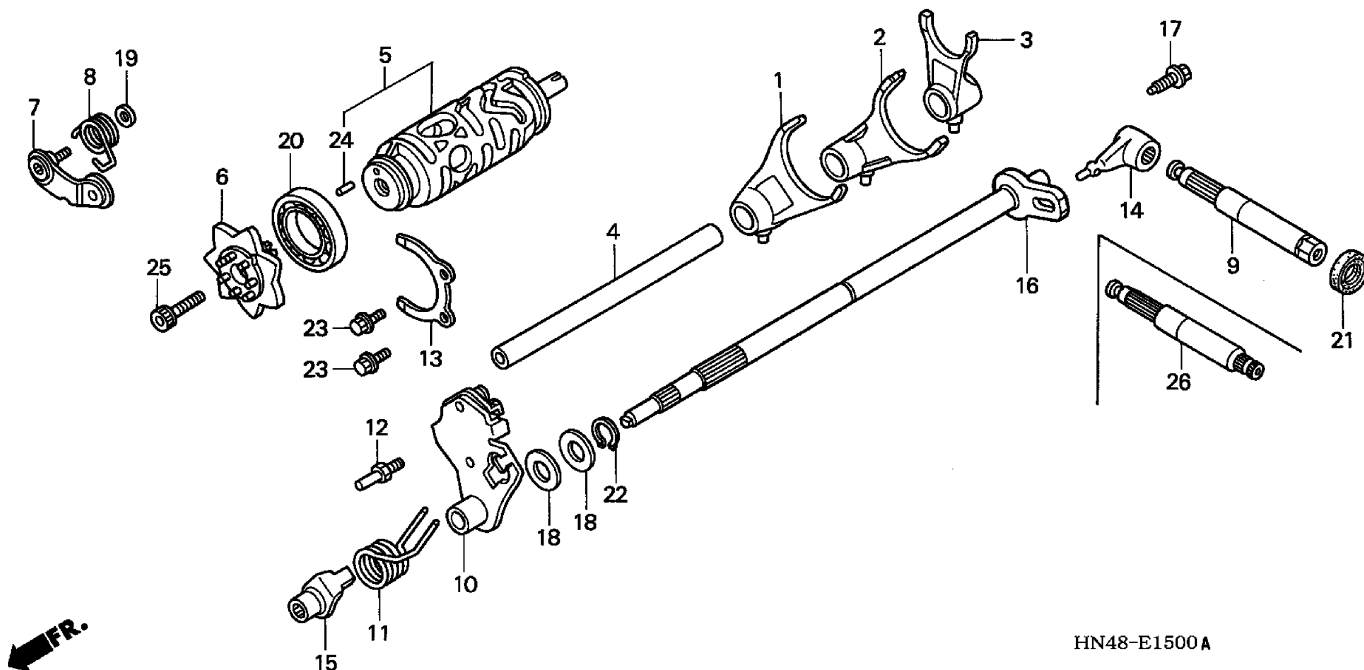
4A=TRX350TM'04
 4B=TRX350TE'04
 4C=TRX350FM'04
 4D=TRX350FE'04

E-14

Engine
 Serial Number

Ref	Description	Model	From	To	AREA	QTY	Part Number	H/C
34	BOLT, FLANGE (6X16)	4A 4B 4C 4D	-----	-----		2	95701-06016-00	2410892
35	BEARING, RADIAL BALL (6202)	4A 4B 4C 4D	-----	-----		1	96100-62020-00	0708941

GEARSHIFT FORK



HN48-E1500A

HN48E1500A

4A=TRX350TM'04
4B=TRX350TE'04
4C=TRX350FM'04
4D=TRX350FE'04

E-15

Engine
Serial Number

Ref	Description	Model	From	To	AREA	QTY	Part Number	H/C
1	FORK, FR. GEARSHIFT	4A 4B 4C 4D	-----	-----		1	24211-HN5-670	6313589
2	FORK, CENTER GEARSHIFT	4A 4B 4C 4D	-----	-----		1	24212-HN5-670	6313597
3	SWINGARM, GEARSHIFT	4A 4B 4C 4D	-----	-----		1	24213-HN5-670	6313605
4	SHAFT, GEARSHIFT FORK GUIDE	4A 4B 4C 4D	-----	-----		1	24241-HM3-670	4170650
5	DRUM, GEARSHIFT	4A 4B 4C 4D	-----	-----		1	24300-HN5-671	6783708
6	CENTER, SHIFT DRUM.....	4A 4B 4C 4D	-----	-----		1	24315-HN5-671	6313621
7	ARM, SHIFT DRUM STOPPER	4A 4B 4C 4D	-----	-----		1	24430-HN5-670	6313639
8	SPRING, SHIFT DRUM STOPPER	4A 4C	-----	-----		1	24435-HN5-670	6373450
	SPRING, SHIFT DRUM STOPPER	4B 4D	-----	-----		1	24435-HN5-A10	6313647
9	SPINDLE, SECONDARY GEARSHIFT	4B 4D	-----	-----		1	24611-HN5-A10	6313654
10	ARM, GEARSHIFT	4A 4B 4C 4D	-----	-----		1	24620-HN5-M00	7118359
11	SPRING, GEARSHIFT RETURN	4A 4C	-----	-----		1	24651-HN5-670	6373492
	SPRING, GEARSHIFT RETURN	4B 4D	-----	-----		1	24651-HM7-000	4687422
12	PIN, RETURN SPRING	4A 4B 4C 4D	-----	-----		1	24652-KY4-900	4147393
13	PLATE, BEARING SETTING	4A 4B 4C 4D	-----	-----		1	24656-HN5-670	6313670
14	ARM A, GEARSHIFT	4A 4B 4C 4D	-----	-----		1	24661-HN5-670	6313688
15	ARM, SUB-GEARSHIFT SPINDLE	4A 4B 4C 4D	-----	-----		1	24670-HN5-670	6313696
16	SPINDLE, SUB-GEARSHIFT	4A 4C	-----	-----		1	24680-HN5-670	6373500

GEARSHIFT FORK

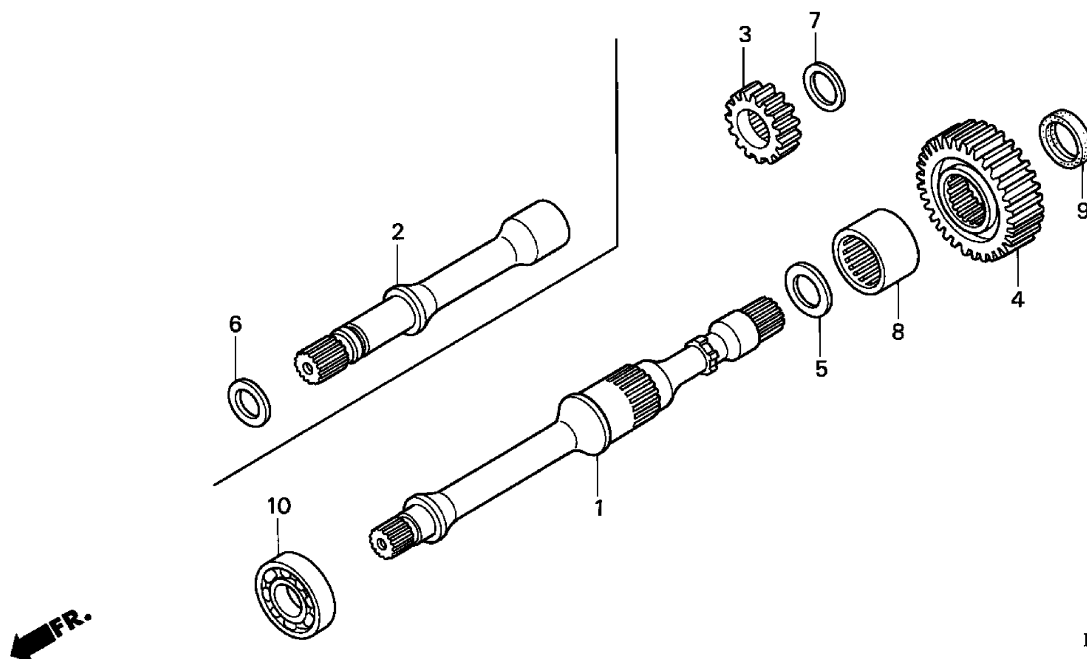
4A=TRX350TM'04
 4B=TRX350TE'04
 4C=TRX350FM'04
 4D=TRX350FE'04

E-15

Engine
 Serial Number

Ref	Description	Model	From	To	AREA	QTY	Part Number	H/C
16	SPINDLE, SUB-GEARSHIFT	4B 4D	-----	-----		1	24680-HN5-A10	6313704
17	BOLT, SPECIAL FLANGE (6X15.2).....	4A 4B 4C 4D	-----	-----		1	90009-HN5-670	6314645
18	WASHER, THRUST (12MM)	4A 4B 4C 4D	-----	-----		2	90451-GF6-000	1824556
19	WASHER (6MM).....	4A 4B 4C 4D	-----	-----		1	90502-HB3-000	2256857
20	BEARING, BALL (16005) (NTN CORP.)	4A 4B 4C 4D	-----	-----		1	91008-374-003	0362855
	BEARING (16005) (KOYO)	4A 4B 4C 4D	-----	-----		1	91051-719-003	1243823
21	OIL SEAL (14X24X6) (ARAI)	4A 4B 4C 4D	-----	-----		1	91202-444-023	2235497
22	CIRCLIP (OUTER) (12MM)	4A 4B 4C 4D	-----	-----		1	94510-12000	0112847
23	BOLT, FLANGE (6X16)	4A 4B 4C 4D	-----	-----		2	95701-06016-00	2410892
24	ROLLER (4X8)	4A 4B 4C 4D	-----	-----		1	96220-40080	1357383
25	BOLT, SOCKET (8X20)	4A 4B 4C 4D	-----	-----		1	96600-08020-10	4046967
26	SPINDLE, GEARSHIFT	4A 4C	-----	-----		1	24611-HN5-670	6373484

FINAL SHAFT



HN44-E1600

HN44E1600

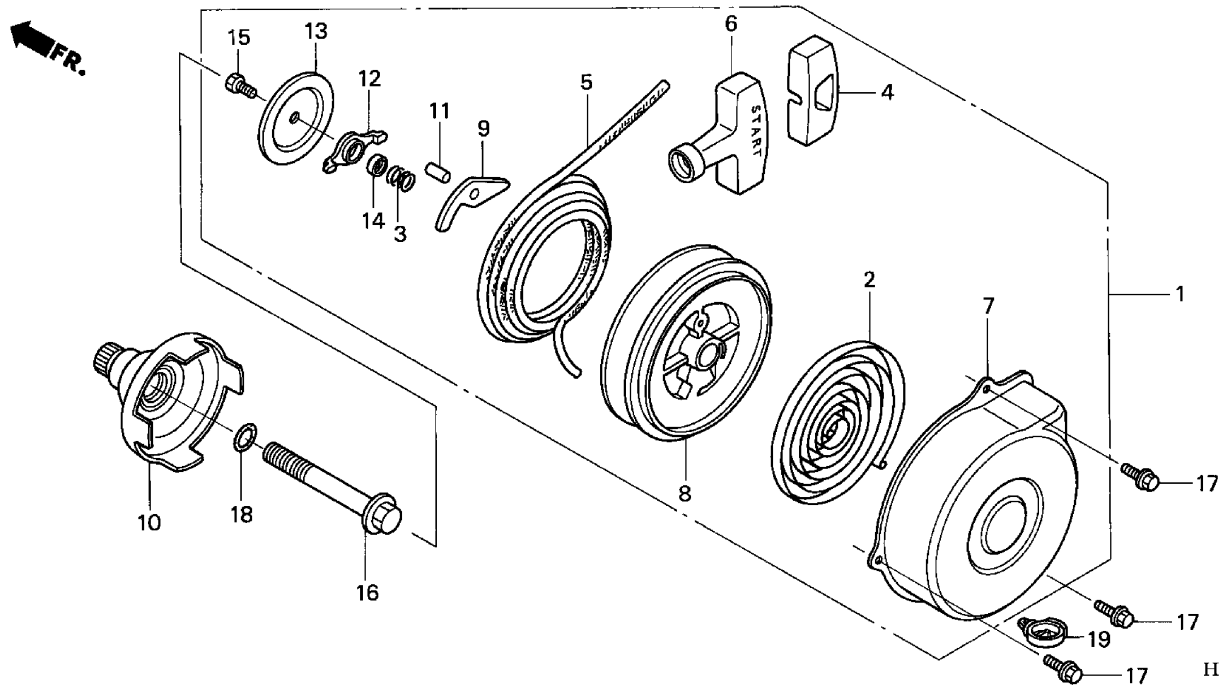
4A=TRX350TM'04
 4B=TRX350TE'04
 4C=TRX350FM'04
 4D=TRX350FE'04

E-16

Engine
 Serial Number

Ref	Description	Model	From	To	AREA	QTY	Part Number	H/C
1	SHAFT A, FINAL	4A 4B 4C 4D	-----	-----		1	23611-HN5-670	6313522
2	SHAFT B, FINAL	4C 4D	-----	-----		1	23612-HN5-671	7391394
3	GEAR, FINAL DRIVE (15T)	4A 4B 4C 4D	-----	-----		1	23621-HN5-670	6313548
4	GEAR, FINAL DRIVE (29T)	4A 4B 4C 4D	-----	-----		1	23631-HN5-670	6313555
5	WASHER, THRUST (28X44X1.5)	4A 4B 4C 4D	-----	-----		1	90403-KN7-670	2056596
6	WASHER, THRUST (20X30X1.5)	4C 4D	-----	-----		1	90453-KZ4-000	3022498
7	WASHER A, THRUST (20MM).....	4A 4B 4C 4D	-----	-----		1	90453-107-000	0215608
8	BEARING, NEEDLE (28X37X20).....	4A 4B 4C 4D	-----	-----		1	91012-HN5-671	6314777
9	OIL SEAL (24X34X5.5).....	4A 4B 4C 4D	-----	-----		1	91203-HN5-671	6314819
10	BEARING, RADIAL BALL (6004)	4A 4B 4C 4D	-----	-----		1	96100-60040-00	0689877

RECOIL STARTER



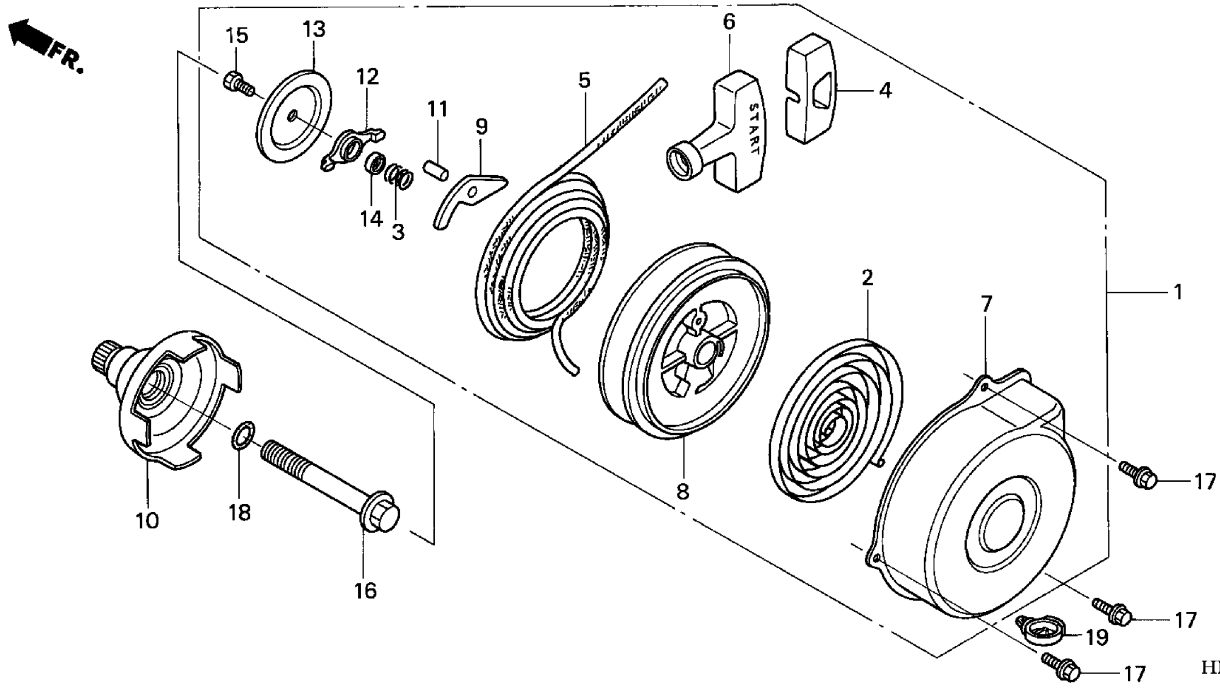
4A=TRX350TM'04
 4B=TRX350TE'04
 4C=TRX350FM'04
 4D=TRX350FE'04

E-17

Engine
 Serial Number

Ref	Description	Model	From	To	AREA	QTY	Part Number	H/C
1	STARTER ASSY., RECOIL	4A 4B 4C 4D	-----	-----		1	28400-HN5-M01	7076276
2	SPRING, RECOIL STARTER.....	4A 4B 4C 4D	-----	-----		1	28402-HB6-004	2131084
3	SPRING, FRICTION.....	4A 4B 4C 4D	-----	-----		1	28404-HN5-M01	7076284
4	CAP, KNOB	4A 4B 4C 4D	-----	-----		1	28405-HN5-M01	7076292
5	ROPE, RECOIL STARTER	4A 4B 4C 4D	-----	-----		1	28407-HN5-M01	7076300
6	KNOB, STARTER.....	4A 4B 4C 4D	-----	-----		1	28408-HN5-M01	7076318
7	CASE, RECOIL STARTER.....	4A 4B 4C 4D	-----	-----		1	28410-HN5-M01	7076326
8	REEL, RECOIL STARTER.....	4A 4B 4C 4D	-----	-----		1	28420-HN5-M01	7076334
9	RATCHET, STARTER	4A 4B 4C 4D	-----	-----		1	28422-ZE1-003	1428606
10	PULLEY, RECOIL.....	4A 4B 4C 4D	-----	-----		1	28430-HN5-M00	7076342
11	PIN, STARTER RATCHET.....	4A 4B 4C 4D	-----	-----		1	28432-HB6-004	6313811
12	GUIDE, RATCHET	4A 4B 4C 4D	-----	-----		1	28433-HN5-M01	7083793
13	PLATE, FRICTION	4A 4B 4C 4D	-----	-----		1	28434-HN5-M01	7076367
14	COVER, SPRING.....	4A 4B 4C 4D	-----	-----		1	28446-968-004	1507979
15	BOLT	4A 4B 4C 4D	-----	-----		1	28448-HN5-M01	7076375
16	BOLT, SPECIAL (12MM)	4A 4B 4C 4D	-----	-----		1	90081-HN5-670	6314678
17	BOLT, FLANGE (6X14)	4A 4B 4C 4D	-----	-----		3	90105-MCE-750	7118417
18	O-RING (11.5X2.3).....	4A 4B 4C 4D	-----	-----		1	91303-679-003	2445526

RECOIL STARTER



HN48-E1700

HN48E1700

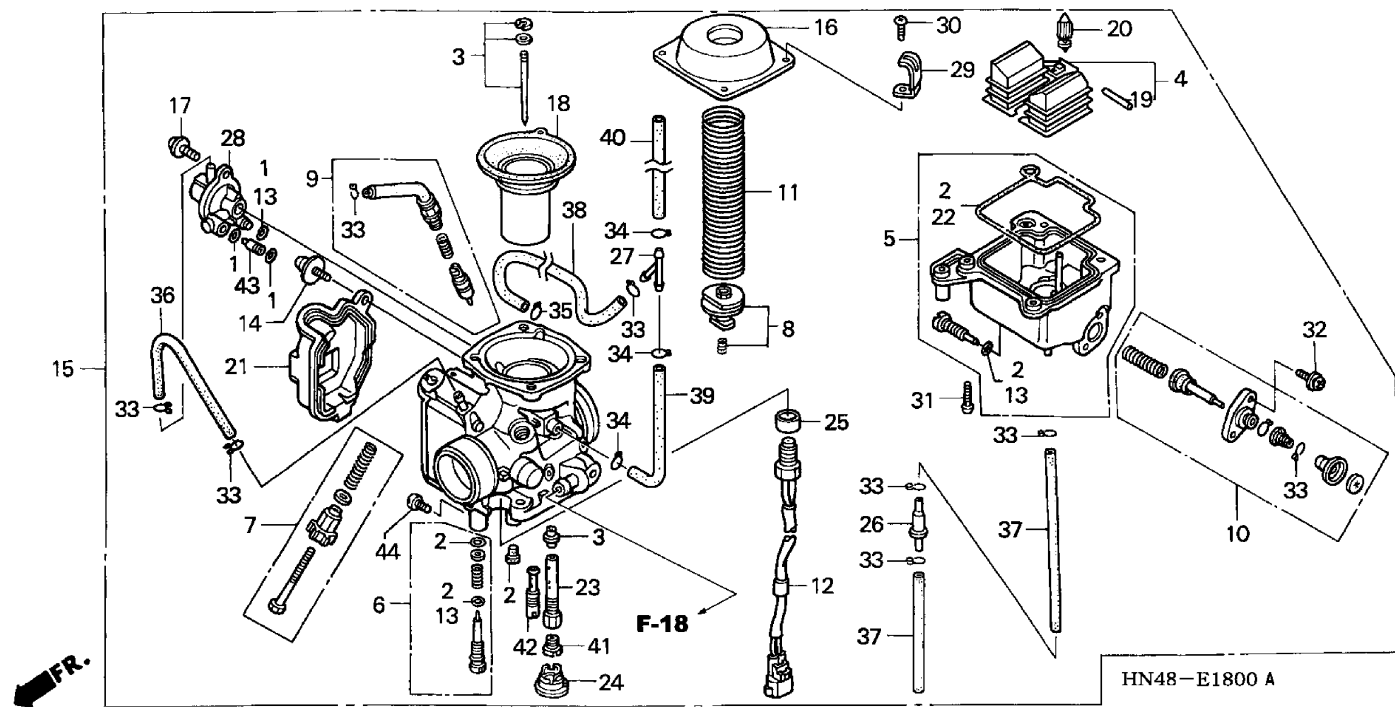
4A=TRX350TM'04
 4B=TRX350TE'04
 4C=TRX350FM'04
 4D=TRX350FE'04

E-17

Engine
 Serial Number

Ref	Description	Model	From	To	AREA	QTY	Part Number	H/C
19	CLIP, WIRE HARNESS *NH1L* (BLACK) ..	4A 4B 4C 4D	-----	-----		1	91558-SD5-003	3199775

CARBURETOR



HN48-E1800 A

HN48E1800A

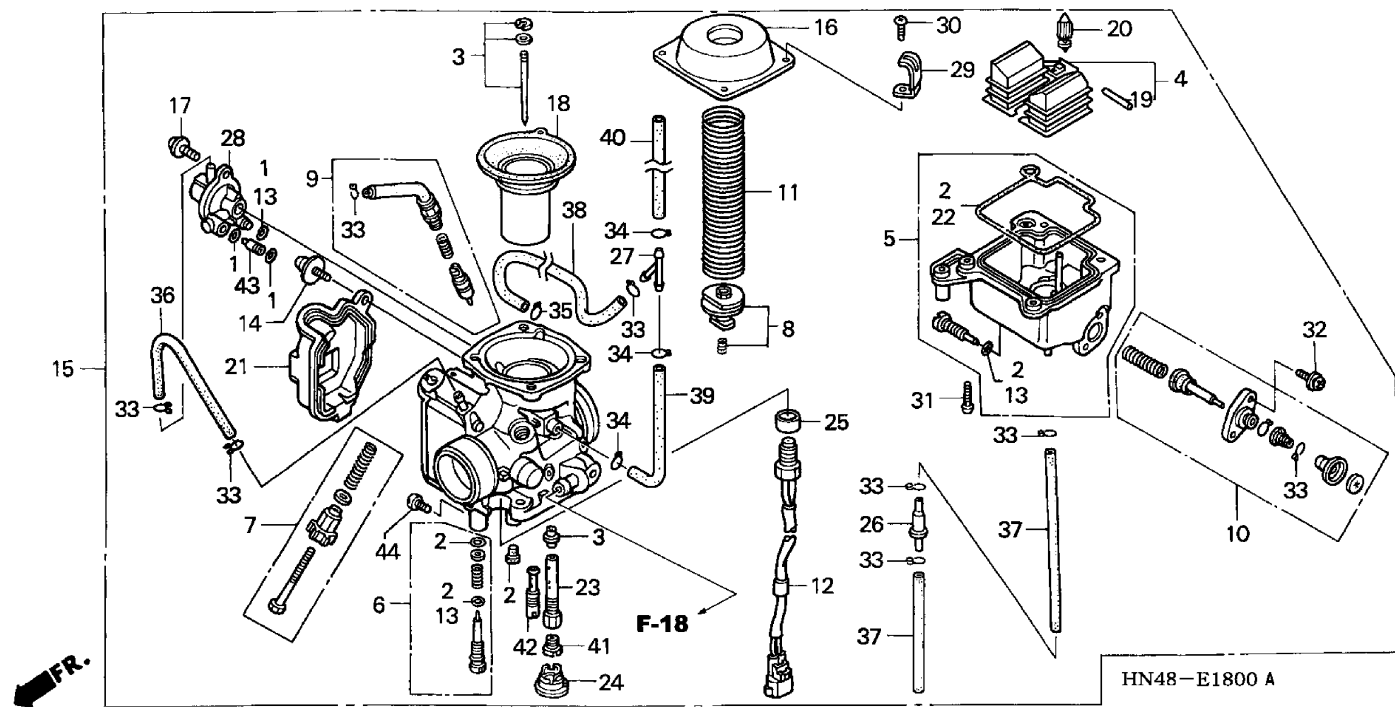
4A=TRX350TM'04
 4B=TRX350TE'04
 4C=TRX350FM'04
 4D=TRX350FE'04

E-18

Engine
 Serial Number

Ref	Description	Model	From	To	AREA	QTY	Part Number	H/C
1	GASKET SET	4A 4B 4C 4D	-----	-----		1	16010-HM7-670	4686770
2	GASKET SET	4A 4B 4C 4D	-----	-----		1	16010-HM7-700	4805966
3	NEEDLE SET, JET	4A 4B 4C 4D	-----	-----		1	16012-HN5-M41	7470636
4	FLOAT SET	4A 4B 4C 4D	-----	-----		1	16013-HN8-003	7130040
5	CHAMBER SET, FLOAT	4A 4B 4C 4D	-----	-----		1	16015-HN5-M41	7470651
6	SCREW SET	4A 4B 4C 4D	-----	-----		1	16016-HM7-670	4686804
7	SCREW SET	4A 4B 4C 4D	-----	-----		1	16028-HM5-730	4523817
8	PLATE SET, VALVE.....	4A 4B 4C 4D	-----	-----		1	16037-HM5-L00	5421177
9	VALVE SET, STARTER	4A 4B 4C 4D	-----	-----		1	16046-HM5-730	4523833
10	PUMP SET	4A 4B 4C 4D	-----	-----		1	16048-HM7-700	4805982
11	SPRING, COMPRESSION COIL	4A 4B 4C 4D	-----	-----		1	16050-HN5-M41	7470669
12	HEATER ASSY.	4A 4B 4C 4D	-----	-----		1	16070-HN5-672	7111057
13	O-RING (1.3X4.3).....	4A 4B 4C 4D	-----	-----		3	16075-GHB-640	4774907
14	SCREW, PAN.....	4A 4B 4C 4D	-----	-----		1	16080-HC0-003	2515708
15	CARBURETOR ASSY. (VE94E A).....	4A 4B 4C 4D	-----	-----		1	16100-HN5-M41	7419674
16	TOP	4A 4B 4C 4D	-----	-----		1	16107-KM3-702	2536688
17	SCREW	4A 4B 4C 4D	-----	-----		1	16108-MW0-750	4041265
18	PISTON, VACUUM.....	4A 4B 4C 4D	-----	-----		1	16111-HM7-670	4686895

CARBURETOR



HN48-E1800 A

HN48E1800A

4A=TRX350TM'04
 4B=TRX350TE'04
 4C=TRX350FM'04
 4D=TRX350FE'04

E-18

Engine
 Serial Number

Ref	Description	Model	From	To	AREA	QTY	Part Number	H/C
19	PIN, ARM	4A 4B 4C 4D	-----	-----		1	16152-HN8-003	7130131
20	VALVE, FLOAT.....	4A 4B 4C 4D	-----	-----		1	16155-KFR-701	7470693
21	COVER, BODY.....	4A 4B 4C 4D	-----	-----		1	16157-HN8-003	7130149
22	GASKET, FLOAT CHAMBER.....	4A 4B 4C 4D	-----	-----		1	16163-HM7-700	4806014
23	HOLDER, NEEDLE JET	4A 4B 4C 4D	-----	-----		1	16165-HC4-840	4075537
24	HOLDER, JET	4A 4B 4C 4D	-----	-----		1	16168-HC4-003	2977262
25	COLLAR, SETTING	4A 4B 4C 4D	-----	-----		1	16172-HN0-A00	5746482
26	VALVE, ONE-WAY.....	4A 4B 4C 4D	-----	-----		1	16180-HC4-003	2977270
27	JOINT	4A 4B 4C 4D	-----	-----		1	16180-ML6-671	2294718
28	VALVE ASSY., AIR CUT	4A 4B 4C 4D	-----	-----		1	16510-MBW-601	6080790
29	CLIP, PLATE	4A 4B 4C 4D	-----	-----		1	17191-MN5-740	2803427
30	SCREW, PAN (4X8).....	4A 4B 4C 4D	-----	-----		4	93500-04008-0H	0369017
	SCREW, PAN (4X8).....	4A 4B 4C 4D	-----	-----		4	93500-04008-1H	1295146
31	SCREW, PAN (4X14).....	4A 4B 4C 4D	-----	-----		4	93500-04014-0H	0583179
	SCREW, PAN (4X14).....	4A 4B 4C 4D	-----	-----		4	93500-04014-1H	1415462
32	SCREW-WASHER (4X12).....	4A 4B 4C 4D	-----	-----		2	93892-04012-08	0485953
	SCREW-WASHER (4X12).....	4A 4B 4C 4D	-----	-----		2	93892-04012-18	1446749
33	CLIP, TUBE (B17)	4A 4B 4C 4D	-----	-----		8	95002-02079	4171690

CARBURETOR

4A=TRX350TM'04
 4B=TRX350TE'04
 4C=TRX350FM'04
 4D=TRX350FE'04

E-18

Engine
Serial Number

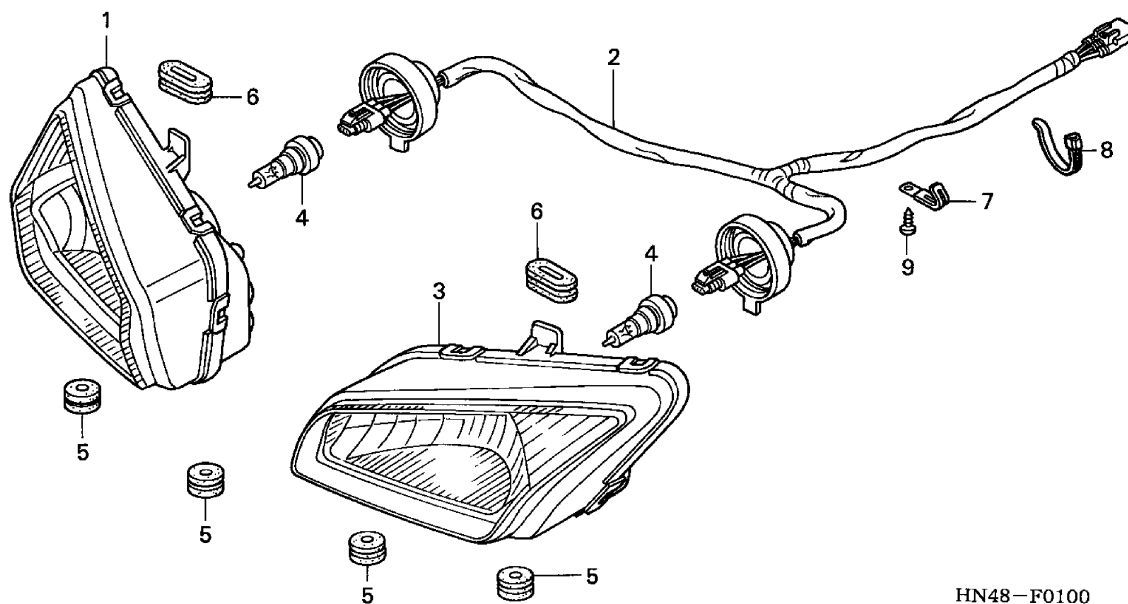
Ref	Description	Model	From	To	AREA	QTY	Part Number	H/C
34	CLIP, TUBE (B18)	4A 4B 4C 4D	-----	-----		3	95002-02089	4125571
35	CLIP, TUBE (B6.5)	4A 4B 4C 4D	-----	-----		1	95002-02659	4125589
36	BULK HOSE, VACUUM (3.5X1000) (3.5X100)	4A 4B 4C 4D	-----	-----		1	95005-35001-20M	5137153
37	BULK HOSE, VACUUM (3.5X1000) (3.5X140)	4A 4B 4C 4D	-----	-----		2	95005-35001-50M	4603536
38	BULK HOSE, VACUUM (3.5X1000) (3.5X200)	4A 4B 4C 4D	-----	-----		1	95005-35001-50M	4603536
39	BULK HOSE, VACUUM (4.5X1000) (4.5X70)	4A 4B 4C 4D	-----	-----		1	95005-45001-50M	5798533
40	BULK HOSE, VACUUM (4.5X1000) (4.5X280)	4A 4B 4C 4D	-----	-----		1	95005-45001-50M	5798533
41	JET (#128)	4A 4B 4C 4D	-----	-----		1	99101-HN5-1280	7477920
42	JET, SLOW (#42)	4A 4B 4C 4D	-----	-----		1	99103-HN5-0420	6314967
43	JET (#140)	4A 4B 4C 4D	-----	-----		1	99108-MY1-1400	7477938
44	JET (#80)	4A 4B 4C 4D	-----	-----		1	99112-HN5-0800	7477946

FRAME SECTION

Chapter Table of Contents

Page Title	Grid	Page
HEADLIGHT	1-E1	2-2
METER	1-E1	2-3
HANDLE LEVERS • SWITCHES • CABLES	1-E2	2-4
FR. BRAKE MASTER CYLINDER	1-E3	2-6
HANDLEBAR (1)	1-E4	2-8
HANDLEBAR (2)	1-E4	2-9
STEERING SHAFT	1-E5	2-11
TIE ROD	1-E6	2-13
FRONT FENDER	1-E7	2-14
FRONT SHOCK ABSORBER	1-E8	2-16
FRONT ARM (2WD)	1-E8	2-17
FRONT ARM (4WD)	1-E9	2-18
KNUCKLE (2WD)	1-E9	2-19
KNUCKLE (4WD)	1-E10	2-20
FRONT FINAL GEAR	1-E11	2-22
FRONT BRAKE PANEL	1-E13	2-26
FRONT WHEEL	1-E14	2-28
REAR WHEEL	1-E15	2-30
REAR BRAKE PANEL	1-E15	2-31
FINAL DRIVEN GEAR	1-F1	2-34
FUEL TANK	1-F2	2-37
BODY COVER	1-F3	2-39
SEAT	1-F5	2-42
AIR CLEANER	1-F5	2-43
MUFFLER	1-F6	2-45
STEP	1-F7	2-47
SWINGARM	1-F8	2-49
REAR SHOCK ABSORBER	1-F9	2-51
REAR FENDER	1-F10	2-52
TAILLIGHT	1-F11	2-54
BATTERY	1-F11	2-55
WIRE HARNESS	1-F12	2-56
FRAME	1-F13	2-58
OIL COOLER	1-F14	2-60
COOLING FAN	1-F14	2-61
CARRIER	1-F15	2-62
TOOLS	1-F15	2-63
LABELS	1-F16	2-64
MARKS	1-G1	2-66
METER	1-G2	2-68
COOLING FAN KIT	1-G3	2-70

HEADLIGHT



HN48-F0100

HN48F0100

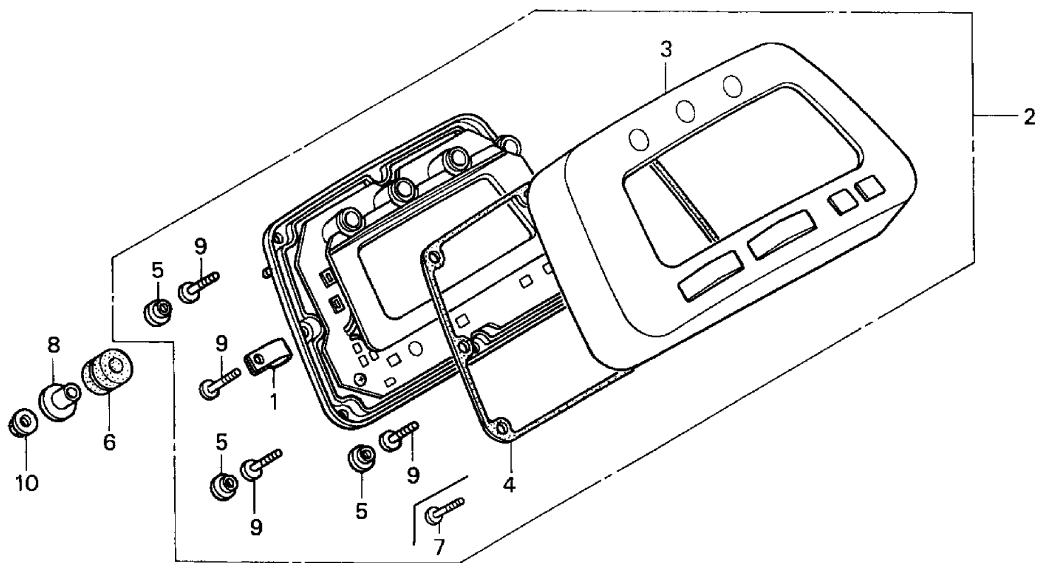
4A=TRX350TM'04
4B=TRX350TE'04
4C=TRX350FM'04
4D=TRX350FE'04

F-1

Frame
Serial Number

Ref	Description	Model	From	To	AREA	QTY	Part Number	H/C
1	HEADLIGHT UNIT, R.	4A 4B 4C 4D	-----	-----		1	33110-HN5-M40	7448392
2	SOCKET, HEADLIGHT	4A 4B 4C 4D	-----	-----		1	33130-HN5-M40	7419658
3	HEADLIGHT UNIT, L.....	4A 4B 4C 4D	-----	-----		1	33160-HN5-M40	7448400
4	BULB, HEADLIGHT	4A 4B 4C 4D	-----	-----		2	34901-HN5-M40	7419666
5	RUBBER, TAILLIGHT MOUNTING	4A 4B 4C 4D	-----	-----		4	80219-HC4-000	2728251
6	GROMMET A, SIDE COVER	4A 4B 4C 4D	-----	-----		2	83601-MB0-000	1250455
7	CLIP, TUBE	4A 4B 4C 4D	-----	-----		1	90010-GEO-710	1914621
8	BAND, WIRE	4A 4B 4C 4D	-----	-----		1	90652-KT1-771	2710416
9	SCREW, TAPPING (5X12).....	4A 4B 4C 4D	-----	-----		1	93903-25220	1642495

METER



HN48-F0200

HN48F0200

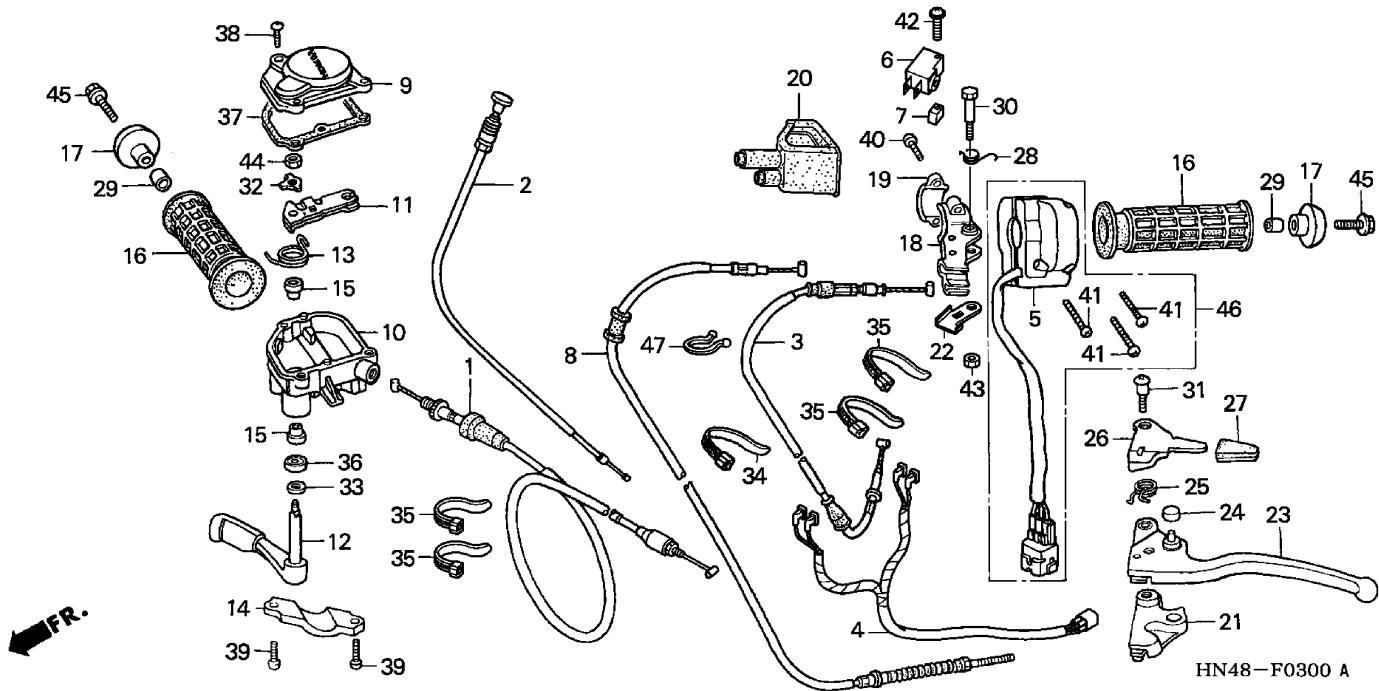
4A=TRX350TM'04
 4B=TRX350TE'04
 4C=TRX350FM'04
 4D=TRX350FE'04

F-2

Frame
 Serial Number

Ref	Description	Model	From	To	AREA	QTY	Part Number	H/C
1	CLAMP	4B	-----	-----		1	37121-KV3-008	4525606
	CLIP	4D	-----	-----		1	37121-HN0-A11	5967377
2	METER ASSY., COMBINATION	4B	-----	-----		1	37200-HN4-A71	7076466
	METER ASSY., COMBINATION	4D	-----	-----		1	37200-HN5-M11	7076250
3	CASE (UPPER)	4B	-----	-----		1	37201-HN0-A01	5748926
	CASE (UPPER)	4D	-----	-----		1	37201-HN5-A11	6436596
4	GASKET	4B	-----	-----		1	37211-HN0-A01	5748934
	GASKET	4D	-----	-----		1	37211-HN5-A11	6421267
5	CAP	4B	-----	-----		4	37212-HN0-A01	5748942
6	RUBBER, MOUNTING	4B 4D	-----	-----		4	37215-HM5-670	4212288
7	SCREW, TAPPING (3X16).....	4D	-----	-----		9	37902-HN0-A11	5967427
8	COLLAR, RR. FENDER	4B 4D	-----	-----		4	90502-GG2-000	2729556
9	SCREW, TAPPING (4X16).....	4B	-----	-----		5	93903-24420	0995944
10	NUT, FLANGE (6MM).....	4B 4D	-----	-----		4	94050-06070	2322832

HANDLE LEVERS • SWITCHES • CABLES



HN48-F0300 A

HN48F0300A

4A=TRX350TM'04
4B=TRX350TE'04
4C=TRX350FM'04
4D=TRX350FE'04

F-3

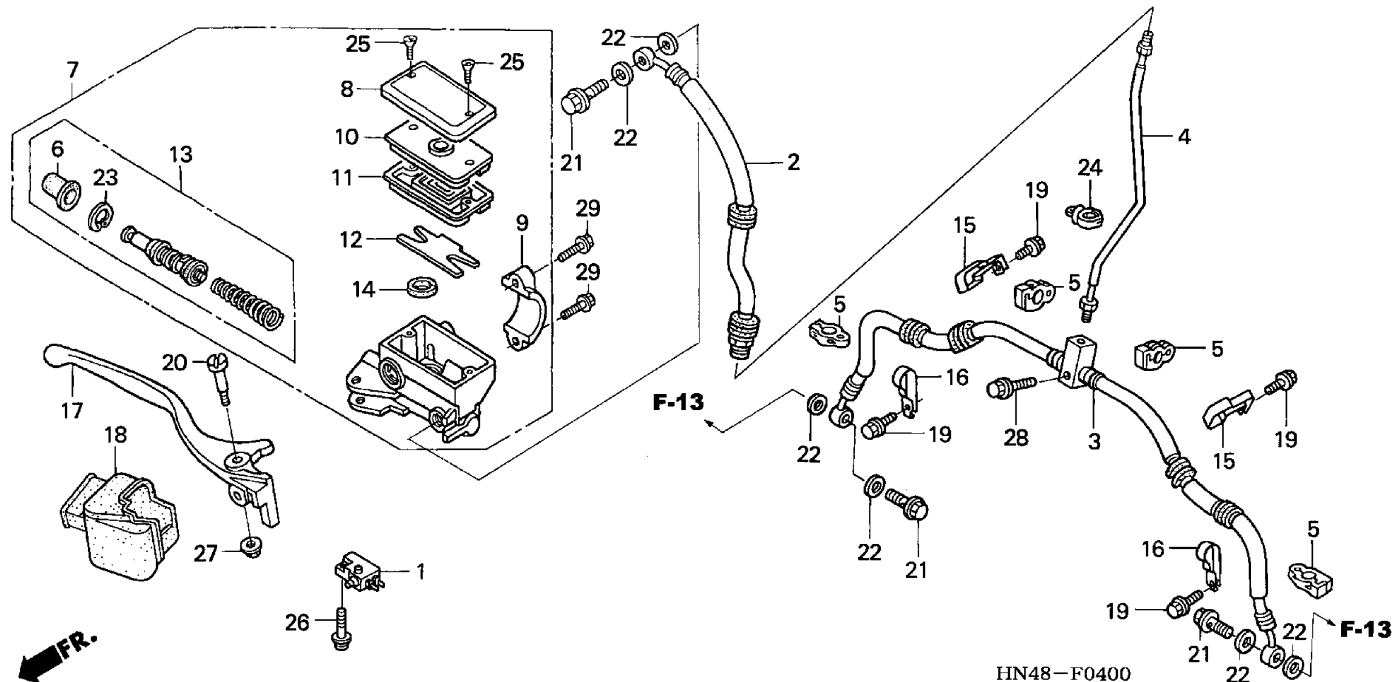
Frame
Serial Number

Ref	Description	Model	From	To	AREA	QTY	Part Number	H/C
1	CABLE, THROTTLE.....	4A 4B 4C 4D	-----	-----		1	17910-HN5-670	6313191
2	CABLE, CHOKE.....	4A 4B 4C 4D	-----	-----		1	17950-HN5-M40	7541873
3	CABLE, REVERSE ASSIST.....	4A 4B 4C 4D	-----	-----		1	22880-HN5-A80	6719165
4	SUB-WIRE, FR. STOP SWITCH.....	4A 4B 4C 4D	-----	-----		1	32105-HN5-M40	7410509
5	SWITCH, HANDLE.....	4B 4D	-----	-----		1	35200-HN7-003	7472079
6	SWITCH ASSY., FR. STOP (TATEISHI)	4A 4B 4C 4D	-----	-----		1	35340-ML4-005	3468683
7	COLLAR, STOP SWITCH.....	4A 4B 4C 4D	-----	-----		1	35345-HF1-830	3468691
8	CABLE, HAND BRAKE.....	4A 4B 4C 4D	-----	-----		1	43460-HN7-000	7367980
9	COVER, THROTTLE CASE.....	4A 4B 4C 4D	-----	-----		1	53141-HC3-000	2652014
10	CASE, THROTTLE LEVER.....	4A 4B 4C 4D	-----	-----		1	53142-HC0-770	2652022
11	ARM, THROTTLE.....	4A 4B 4C 4D	-----	-----		1	53144-HA0-010	2271682
12	LEVER, THROTTLE.....	4A 4B 4C 4D	-----	-----		1	53145-HA0-770	2420032
13	SPRING, THROTTLE RETURN.....	4A 4B 4C 4D	-----	-----		1	53146-HM8-000	5308945
14	HOLDER, THROTTLE CASE.....	4A 4B 4C 4D	-----	-----		1	53147-HM5-850	4734422
15	BUSH, THROTTLE PIVOT.....	4A 4B 4C 4D	-----	-----		2	53148-HA0-000	1810399
16	GRIP, HANDLE.....	4A 4B 4C 4D	-----	-----		2	53165-958-010	1274620
17	GUARD, HANDLEBAR END.....	4A 4B 4C 4D	-----	-----		2	53167-958-680	1274638
18	BRACKET, BRAKE LEVER.....	4A 4C	-----	-----		1	53172-HN5-M40	7448608

HANDLE LEVERS • SWITCHES • CABLES

4A=TRX350TM'04 4B=TRX350TE'04 4C=TRX350FM'04 4D=TRX350FE'04			F-3					
			Frame Serial Number					
Ref	Description	Model	From	To	AREA	QTY	Part Number	H/C
18	BRACKET, BRAKE LEVER	4B 4D	-----	-----		1	53172-HN5-M50	7448616
19	HOLDER, LEVER BRACKET	4A 4B 4C 4D	-----	-----		1	53173-376-000	0396788
20	COVER, L. HANDLE	4A 4B 4C 4D	-----	-----		1	53177-HN5-M40	7410541
21	ARM, REVERSE ASSIST	4A 4B 4C 4D	-----	-----		1	53179-HA6-000	1841790
22	HOLDER, STOP SWICH SUB CORD	4A 4B 4C 4D	-----	-----		1	53179-HN5-M40	7410434
23	LEVER, RR. BRAKE.....	4A 4B 4C 4D	-----	-----		1	53180-HA8-770	2428316
24	CAP, REVERSE PIN	4A 4B 4C 4D	-----	-----		1	53187-VM6-000	1797869
25	SPRING, PARKING BRAKE LEVER	4A 4B 4C 4D	-----	-----		1	53191-961-010	1085380
26	LEVER, PARKING BRAKE LOCK	4A 4B 4C 4D	-----	-----		1	53192-HN0-A00	5749643
27	CAP, PARKING LEVER	4A 4B 4C 4D	-----	-----		1	53193-HA0-770	2420065
28	SPRING, LEVER RETURN	4A 4C	-----	-----		1	53193-HF1-830	3470754
	SPRING, PARKING LEVER RETURN	4B 4D	-----	-----		1	53193-HN5-C20	6827182
29	COLLAR, NUMBER BRACKET SETTING ..	4A 4B 4C 4D	-----	-----		2	84906-118-000	0248401
30	BOLT, HANDLE LEVER PIVOT	4A 4B 4C 4D	-----	-----		1	90114-HM8-000	5282736
31	SCREW, PARKING LEVER PIVOT	4A 4B 4C 4D	-----	-----		1	90115-HA6-000	1842301
32	WASHER, LOCK (6MM).....	4A 4B 4C 4D	-----	-----		1	90501-HA0-000	1810688
33	WASHER (9X20)	4A 4B 4C 4D	-----	-----		1	90504-HA0-000	1824606
34	BAND, WIRE	4A 4B 4C 4D	-----	-----		1	90651-KV6-003	2576296
35	BAND, WIRE	4A 4B 4C 4D	-----	-----		4	90652-KT1-771	2710416
36	DUST SEAL (9X16X5) (ARAI)	4A 4B 4C 4D	-----	-----		1	91210-HA0-003	1834787
	DUST SEAL (9X16X5) (NOK)	4A 4B 4C 4D	-----	-----		1	91210-HA0-004	1834795
37	GASKET, THROTTLE CASE	4A 4B 4C 4D	-----	-----		1	91532-HA0-020	2271799
38	SCREW, PAN (4X16)	4A 4B 4C 4D	-----	-----		3	93500-04016-0G	0350322
39	SCREW, PAN (5X14)	4A 4B 4C 4D	-----	-----		2	93500-05014-0G	1083252
40	SCREW, PAN (5X18)	4A 4B 4C 4D	-----	-----		2	93500-05018-0G	0486977
41	SCREW, PAN (5X25)	4A 4C	-----	-----		2	93500-05025-0G	0477471
	SCREW, PAN (5X28)	4B 4D	-----	-----		3	93500-05028-0G	0923821
42	SCREW-WASHER (4X20)	4A 4B 4C 4D	-----	-----		1	93893-04020-07	3473501
43	NUT, HEX. (6MM).....	4A 4B 4C 4D	-----	-----		1	94001-06070-0S	0811059
44	NUT, HEX. (6MM).....	4A 4B 4C 4D	-----	-----		1	94002-06000-0S	0181032
45	BOLT, FLANGE (6X25)	4A 4B 4C 4D	-----	-----		2	95701-06025-07	2449122
46	SWITCH SET, LIGHTING & STARTER KILL	4A 4C	-----	-----		1	35020-HN5-670	6373773
47	CLIP, PURSE LOCK.....	4A 4C	-----	-----		1	90630-751-000	2159598

FR. BRAKE MASTER CYLINDER



HN48F0400

4A=TRX350TM'04
 4B=TRX350TE'04
 4C=TRX350FM'04
 4D=TRX350FE'04

F-4

Frame
 Serial Number

Ref	Description	Model	From	To	AREA	QTY	Part Number	H/C
1	SWITCH ASSY., FR. STOP (TATEISHI)	4A 4B 4C 4D	-----	-----		1	35340-ML4-005	3468683
2	HOSE A, FR. BRAKE	4A 4B 4C 4D	-----	-----		1	45126-HN7-013	7472640
3	HOSE B, FR. BRAKE	4A 4B 4C 4D	-----	-----		1	45127-HN7-003	7379233
4	PIPE, FR. BRAKE.....	4A 4B 4C 4D	-----	-----		1	45128-HN7-000	7339625
5	CLIP, BRAKE HOSE	4A 4B 4C 4D	-----	-----		4	45401-HM5-850	4734802
6	BOOT	4A 4B 4C 4D	-----	-----		1	45504-410-003	1211820
7	MASTER CYLINDER SUB-ASSY., FR. BRAKE	4A 4B 4C 4D	-----	-----		1	45510-HN8-006	7130321
8	CAP, MASTER CYLINDER	4A 4B 4C 4D	-----	-----		1	45540-MB4-671	1666882
9	HOLDER, MASTER CYLINDER.....	4A 4B 4C 4D	-----	-----		1	45517-MA5-671	0952341
10	PLATE, DIAPHRAGM.....	4A 4B 4C 4D	-----	-----		1	45518-MB4-671	1666890
11	DIAPHRAGM	4A 4B 4C 4D	-----	-----		1	45520-MA5-672	1547256
12	FLOAT, FR. MASTER CYLINDER.....	4A 4B 4C 4D	-----	-----		1	45523-HC5-971	4075933
13	MASTER CYLINDER SET	4A 4B 4C 4D	-----	-----		1	45530-HN8-006	7130339
14	SEPARATOR	4A 4B 4C 4D	-----	-----		1	46666-961-013	1066927
15	CLAMP A, FR. BRAKE HOSE	4A 4B 4C 4D	-----	-----		2	51207-HN5-670	6251029
16	CLAMP B, FR. BRAKE HOSE	4A 4B 4C 4D	-----	-----		2	51208-HN5-670	6251037
17	LEVER, R. HANDLE.....	4A 4B 4C 4D	-----	-----		1	53175-HA8-680	2110633

FR. BRAKE MASTER CYLINDER

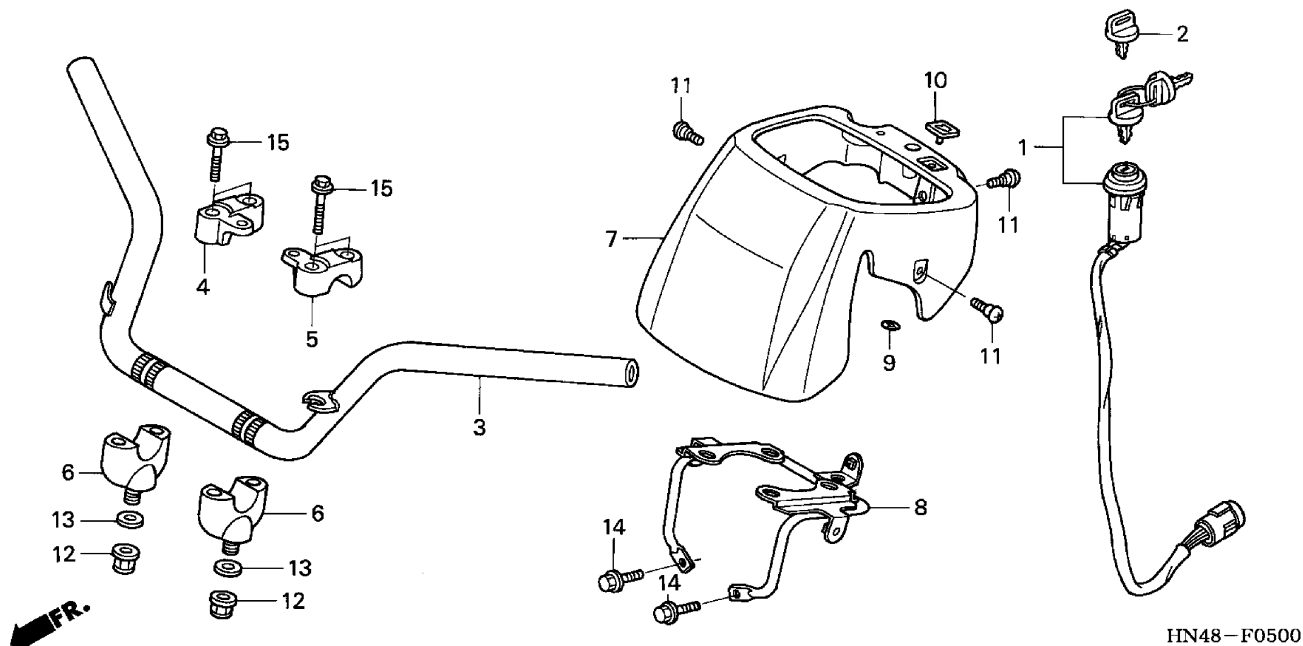
4A=TRX350TM'04
 4B=TRX350TE'04
 4C=TRX350FM'04
 4D=TRX350FE'04

F-4

Frame
Serial Number

Ref	Description	Model	From	To	AREA	QTY	Part Number	H/C
18	COVER, R. HANDLE	4A 4B 4C 4D	-----	-----		1	53176-HN5-M40	7410467
19	BOLT, FLANGE (6X10)	4A 4B 4C 4D	-----	-----		4	90107-HC5-000	2734887
20	BOLT, R. HANDLEBAR PIVOT	4A 4B 4C 4D	-----	-----		1	90114-MA5-671	0952416
21	BOLT, OIL (10X22).....	4A 4B 4C 4D	-----	-----		3	90145-MS9-612	5369418
22	WASHER, OIL BOLT	4A 4B 4C 4D	-----	-----		6	90545-300-000	0189902
23	CIRCLIP	4A 4B 4C 4D	-----	-----		1	90651-MA5-671	1251404
24	CLIP, WIRE HARNESS (25MM).....	4A 4B 4C 4D	-----	-----		1	90683-SA0-003	1226265
25	SCREW, FLAT (4X12)	4A 4B 4C 4D	-----	-----		2	93600-04012-0G	1218601
	SCREW, FLAT (4X12)	4A 4B 4C 4D	-----	-----		2	93600-04012-1G	1237346
26	SCREW-WASHER (4X14)	4A 4B 4C 4D	-----	-----		1	93893-04014-07	3519675
27	NUT, FLANGE (6MM).....	4A 4B 4C 4D	-----	-----		1	94050-06000	0471623
28	BOLT, FLANGE (6X25)	4A 4B 4C 4D	-----	-----		1	95701-06025-07	2449122
29	BOLT, FLANGE (6X22)	4A 4B 4C 4D	-----	-----		2	96001-06022-07	2105971

HANDLEBAR (1)



HN48F0500

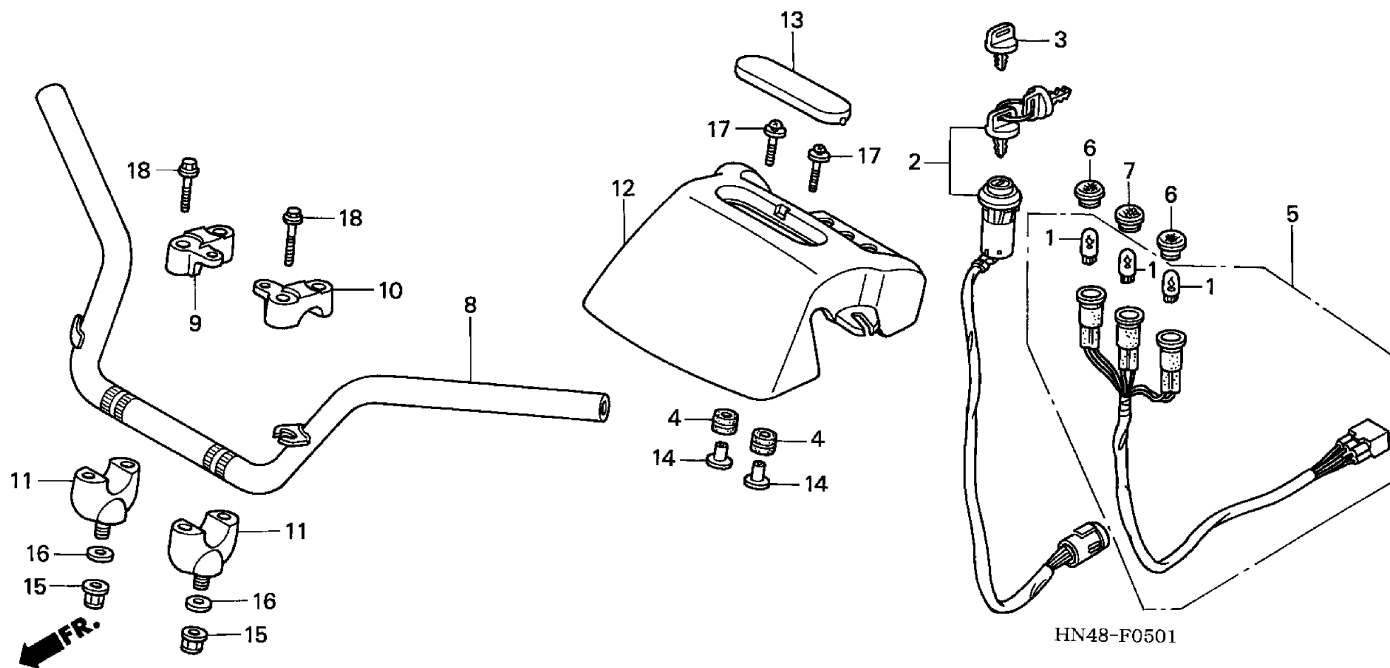
4A=TRX350TM'04
4B=TRX350TE'04
4C=TRX350FM'04
4D=TRX350FE'04

F-5

Frame
Serial Number

Ref	Description	Model	From	To	AREA	QTY	Part Number	H/C
1	SWITCH ASSY., IGNITION	4B 4D	-----	-----		1	35100-HN5-670	6313977
2	KEY, BLANK (TYPE1)	4B 4D	-----	-----		(1)	35121-HF1-881	3813748
	KEY, BLANK (TYPE2)	4B 4D	-----	-----		(1)	35122-HF1-881	3813755
3	HANDLEBAR	4B 4D	-----	-----		1	53100-HN7-000	7341191
4	HOLDER, R. HANDLE (UPPER)	4B 4D	-----	-----		1	53111-HC3-000	2487056
5	HOLDER, L. HANDLE (UPPER)	4B 4D	-----	-----		1	53121-HC3-000	2487064
6	HOLDER, HANDLE (LOWER)	4B 4D	-----	-----		2	53130-HB3-770	2434355
7	COVER, HANDLE *NH1* (BLACK)	4B 4D	-----	-----		1	53205-HN7-000ZA	7341209
8	STAY, HANDLE COVER	4B 4D	-----	-----		1	53207-HN5-A10	6252209
9	NUT, SPEED (4MM).....	4B 4D	-----	-----		1	64206-MJ0-000	3375987
10	EMBLEM, PRODUCT.....	4B 4D	-----	-----		1	86150-HN8-004	7542327
11	SCREW, PROTECTOR SETTING	4B 4D	-----	-----		3	90114-MG9-770	1532027
12	NUT, SELF-LOCK (10MM).....	4B 4D	-----	-----		2	90305-HC0-770	2739530
13	WASHER (10.3MM)	4B 4D	-----	-----		2	90521-427-770	0829150
14	BOLT, FLANGE (8X16)	4B 4D	-----	-----		2	95701-08016-07	2724003
15	BOLT, FLANGE (8X35)	4B 4D	-----	-----		4	95701-08035-08	2563260

HANDLEBAR (2)



HN48F0501

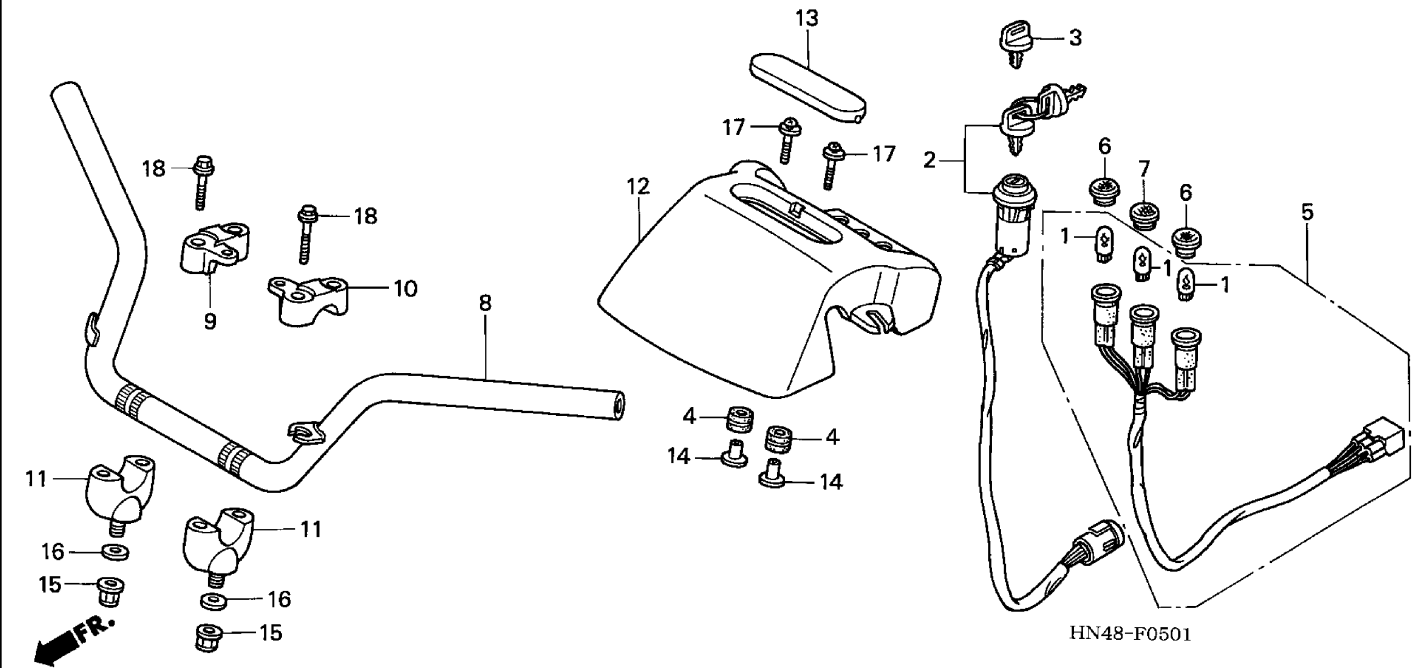
4A=TRX350TM'04
 4B=TRX350TE'04
 4C=TRX350FM'04
 4D=TRX350FE'04

F-5-1

Frame
 Serial Number

Ref	Description	Model	From	To	AREA	QTY	Part Number	H/C
1	BULB, WEDGE BASE (12V1.7W) (STANLEY).....	4A 4C	-----	-----		3	34909-KW3-003	3029725
2	SWITCH ASSY., IGNITION	4A 4C	-----	-----		1	35100-HN5-670	6313977
3	KEY, BLANK (TYPE1)	4A 4C	-----	-----		(1)	35121-HF1-881	3813748
	KEY, BLANK (TYPE2)	4A 4C	-----	-----		(1)	35122-HF1-881	3813755
4	RUBBER, MOUNTING.....	4A 4C	-----	-----		2	37215-HM5-670	4212288
5	SOCKET ASSY., INDICATOR	4A 4C	-----	-----		1	37600-HN5-670	6250575
6	LENS, OIL INDICATOR	4A 4C	-----	-----		2	37602-HM5-670	4212296
7	LENS, NEUTRAL INDICATOR.....	4A 4C	-----	-----		1	37603-HM5-670	4212304
8	HANDLEBAR	4A 4C	-----	-----		1	53100-HN7-000	7341191
9	HOLDER, R. HANDLE (UPPER)	4A 4C	-----	-----		1	53111-HC3-000	2487056
10	HOLDER, L. HANDLE (UPPER)	4A 4C	-----	-----		1	53121-HC3-000	2487064
11	HOLDER, HANDLE (LOWER)	4A 4C	-----	-----		2	53130-HB3-770	2434355
12	COVER, HANDLE *NH1* (BLACK)	4A 4C	-----	-----		1	53205-HN5-672ZA	7542293
13	CAP, HANDLE COVER *NH1* (BLACK)	4A 4C	-----	-----		1	53206-HM8-000ZA	5282272
14	COLLAR, COVER SETTING	4A 4C	-----	-----		2	83601-357-000	0321885
15	NUT, SELF-LOCK (10MM).....	4A 4C	-----	-----		2	90305-HC0-770	2739530
16	WASHER (10.3MM)	4A 4C	-----	-----		2	90521-427-770	0829150

HANDLEBAR (2)



HN48F0501

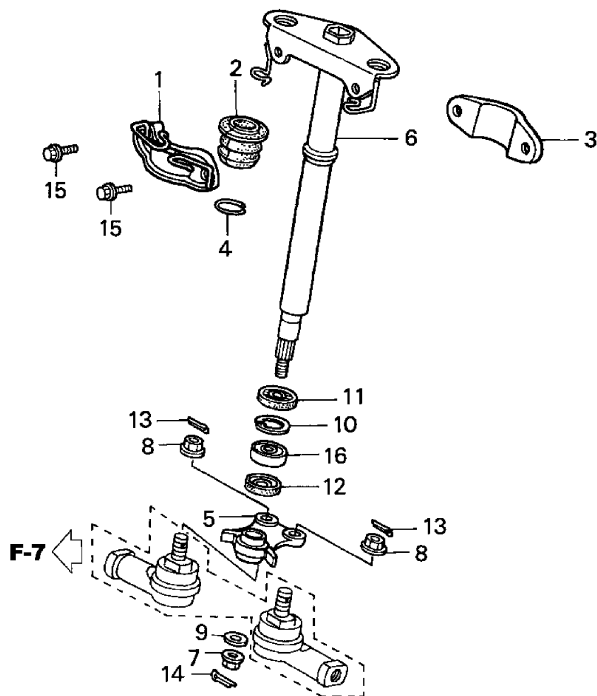
4A=TRX350TM'04
 4B=TRX350TE'04
 4C=TRX350FM'04
 4D=TRX350FE'04

F-5-1

Frame
 Serial Number

Ref	Description	Model	From	To	AREA	QTY	Part Number	H/C
17	SCREW-WASHER (6X20)	4A 4C	-----	-----		2	93894-06020-0H	1171966
	SCREW-WASHER (6X20)	4A 4C	-----	-----		2	93894-06020-08	1171974
18	BOLT, FLANGE (8X35)	4A 4C	-----	-----		4	95701-08035-08	2563260

STEERING SHAFT



HN74-F0600

HN74F0600

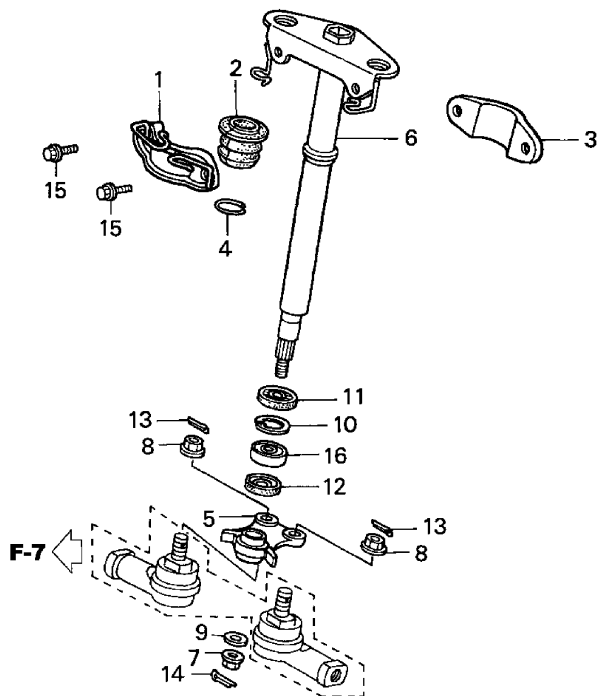
4A=TRX350TM'04
4B=TRX350TE'04
4C=TRX350FM'04
4D=TRX350FE'04

F-6

Frame
Serial Number

Ref	Description	Model	From	To	AREA	QTY	Part Number	H/C
1	HOLDER, STEERING SHAFT	4A 4B 4C 4D	-----	-----		1	53220-HN7-000	7340029
2	BUSH, STEERING	4A 4B 4C 4D	-----	-----		1	53221-HM7-004	4688396
3	HOLDER, STEERING SHAFT	4A 4B 4C 4D	-----	-----		1	53223-HC4-000	2727865
4	RING, STEERING BUSH	4A 4B 4C 4D	-----	-----		1	53225-HM7-000	4682589
5	ARM, STEERING	4A 4B	-----	-----		1	53235-HN4-670	6252241
	ARM, STEERING	4C 4D	-----	-----		1	53235-HN5-670	6252258
6	SHAFT, STEERING	4A 4B 4C 4D	-----	-----		1	53310-HN7-000	7472947
7	NUT, SELF-LOCK (14MM).....	4A 4B 4C 4D	-----	-----		1	90213-S73-003	5411210
8	NUT, SELF-LOCK (12MM).....	4A 4B 4C 4D	-----	-----		2	90305-HC4-000	2817419
9	WASHER, THRUST (14MM)	4A 4B 4C 4D	-----	-----		1	90402-HA0-000	1824440
10	CIRCLIP, SPECIAL (INNER) (42MM)	4A 4B 4C 4D	-----	-----		1	90603-HN7-000	7391907
11	OIL SEAL (25X42X7) (ARAI)	4A 4B 4C 4D	-----	-----		1	91205-950-003	0448985
12	DUST SEAL (37X25X6)	4A 4B 4C 4D	-----	-----		1	91258-HB3-003	2137941
13	PIN, COTTER (2.0X22)	4A 4B 4C 4D	-----	-----		2	94201-20220	0058362
	PIN, COTTER (2.0X25)	4A 4B 4C 4D	-----	-----		2	94201-20250	0058370
	PIN, COTTER (2X28)	4A 4B 4C 4D	-----	-----		2	94201-20280	0428292
	PIN, COTTER (2.0X32)	4A 4B 4C 4D	-----	-----		2	94201-20320	0145607
	PIN, COTTER (2.0X35)	4A 4B 4C 4D	-----	-----		2	94201-20350	0058388

STEERING SHAFT



HN74-F0600

HN74F0600

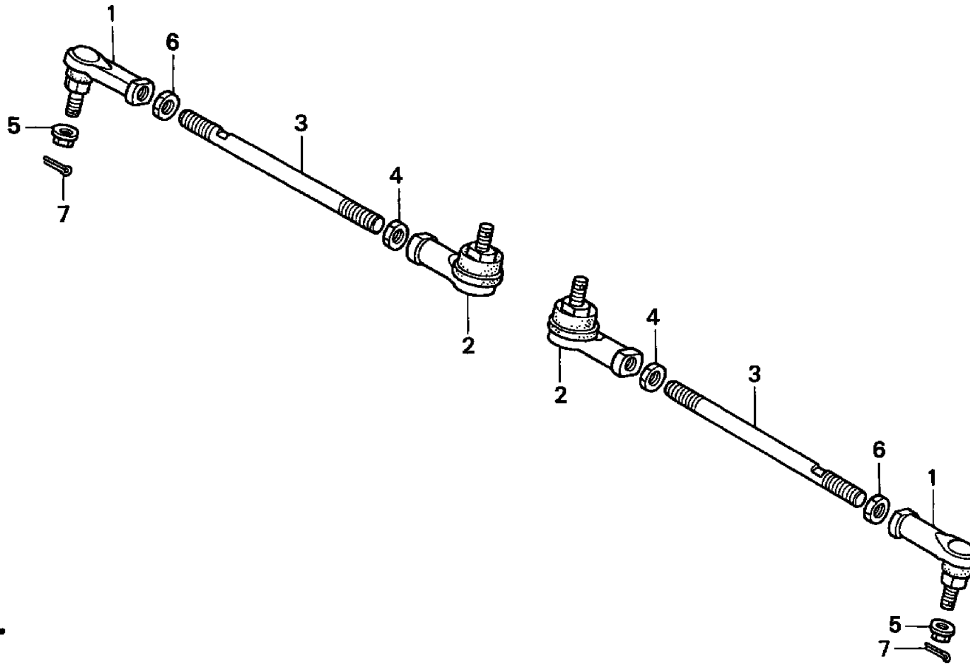
4A=TRX350TM'04
 4B=TRX350TE'04
 4C=TRX350FM'04
 4D=TRX350FE'04

F-6

Frame
 Serial Number

Ref	Description	Model	From	To	AREA	QTY	Part Number	H/C
14	PIN, COTTER (3.0X25)	4A 4B 4C 4D	-----	-----		1	94201-30250	0058420
	PIN, COTTER (3X30)	4A 4B 4C 4D	-----	-----		1	94201-30300	0058438
	PIN, COTTER (3.0X40)	4A 4B 4C 4D	-----	-----		1	94201-30400	0058446
	PIN, COTTER (3.0X45)	4A 4B 4C 4D	-----	-----		1	94201-30450	0058453
15	BOLT, FLANGE (8X16)	4A 4B 4C 4D	-----	-----		2	95701-08016-07	2724003
16	BEARING, RADIAL BALL (6004UU)	4A 4B 4C 4D	-----	-----		1	96150-60041-10	2106078

TIE ROD



HN44-F0700

HN44F0700

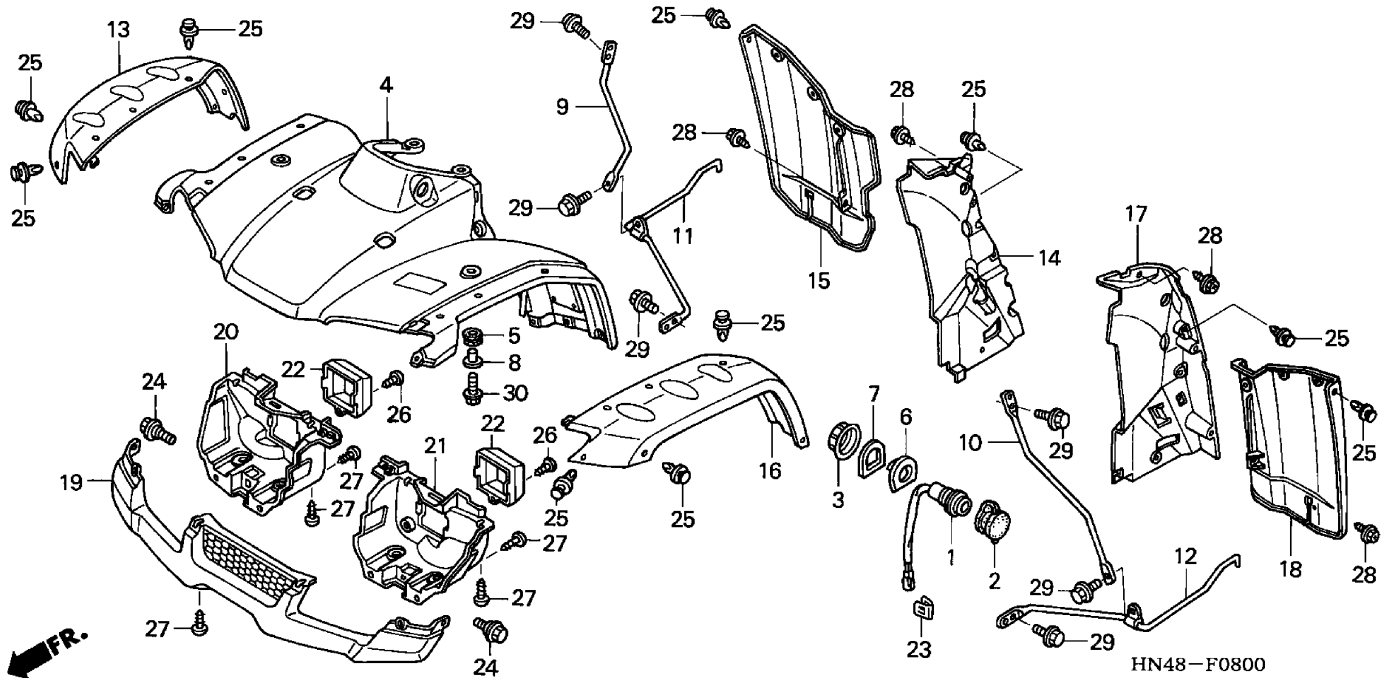
4A=TRX350TM'04
4B=TRX350TE'04
4C=TRX350FM'04
4D=TRX350FE'04

F-7

Frame
Serial Number

Ref	Description	Model	From	To	AREA	QTY	Part Number	H/C
1	END, R. TIE ROD	4A 4B 4C 4D	-----	-----		2	53157-HN8-003	7130396
2	END, L. TIE ROD	4A 4B 4C 4D	-----	-----		2	53158-HN8-003	7130404
3	ROD, TIE	4A 4B 4C 4D	-----	-----		2	53521-HN5-670	6252282
4	NUT, TIE ROD LOCK	4A 4B 4C 4D	-----	-----		2	53526-679-000	2387579
5	NUT, SELF-LOCK (12MM).....	4A 4B 4C 4D	-----	-----		2	90305-HC4-000	2817419
6	NUT, HEX. (12MM).....	4A 4B 4C 4D	-----	-----		2	94031-12280	2399327
7	PIN, COTTER (2.0X22)	4A 4B 4C 4D	-----	-----		2	94201-20220	0058362
	PIN, COTTER (2.0X25)	4A 4B 4C 4D	-----	-----		2	94201-20250	0058370
	PIN, COTTER (2X28)	4A 4B 4C 4D	-----	-----		2	94201-20280	0428292
	PIN, COTTER (2.0X32)	4A 4B 4C 4D	-----	-----		2	94201-20320	0145607
	PIN, COTTER (2.0X35)	4A 4B 4C 4D	-----	-----		2	94201-20350	0058388

FRONT FENDER



HN48F0800

4A=TRX350TM'04
 4B=TRX350TE'04
 4C=TRX350FM'04
 4D=TRX350FE'04

F-8

 Frame
 Serial Number

Ref	Description	Model	From	To	AREA	QTY	Part Number	H/C
1	SOCKET, ACCESSORY	4A 4B 4C 4D	-----	-----		1	31651-HN5-671	6313902
2	CAP	4A 4B 4C 4D	-----	-----		1	31652-HN0-A01	5748652
3	NUT	4A 4B 4C 4D	-----	-----		1	31653-HN0-A01	5748660
4	FENDER, FR. *G152* (ADVENTURE GREEN)	4A 4B 4C 4D	-----	-----		1	61100-HN7-000ZA	7341225
	FENDER, FR. *R232* (PATRIOT RED)	4A 4B 4C 4D	-----	-----		1	61100-HN7-000ZB	7399223
	FENDER, FR. *Y151R* (STARBURST YELLOW)	4A 4B 4C 4D	-----	-----		1	61100-HN7-000ZC	7341241
5	RUBBER, FR. FENDER SETTING.....	4A 4B 4C 4D	-----	-----		2	61103-HM5-850	4735148
6	SPACER, ACCESSORY SOCKET (OUTER) *NH1* (BLACK)	4A 4B 4C 4D	-----	-----		1	61103-HN5-670ZB	6252332
7	SPACER, ACCESSORY SOCKET (INNER) *NH1* (BLACK)	4A 4B 4C 4D	-----	-----		1	61104-HN5-670ZA	6310023
8	COLLAR, FR. FENDER	4A 4B 4C 4D	-----	-----		2	61104-357-000	0321752
	COLLAR, FR. FENDER	4A 4B 4C 4D	-----	-----		2	61104-428-000	0687558
9	STAY, R. FR. FENDER	4A 4B 4C 4D	-----	-----		1	61105-HN7-000	7341472
10	STAY, L. FR. FENDER.....	4A 4B 4C 4D	-----	-----		1	61106-HN7-000	7341480
11	STAY, R. MUDGUARD CENTER.....	4A 4B 4C 4D	-----	-----		1	61107-HN7-000	7341498
12	STAY, L. MUDGUARD CENTER	4A 4B 4C 4D	-----	-----		1	61108-HN7-000	7341506

FRONT FENDER

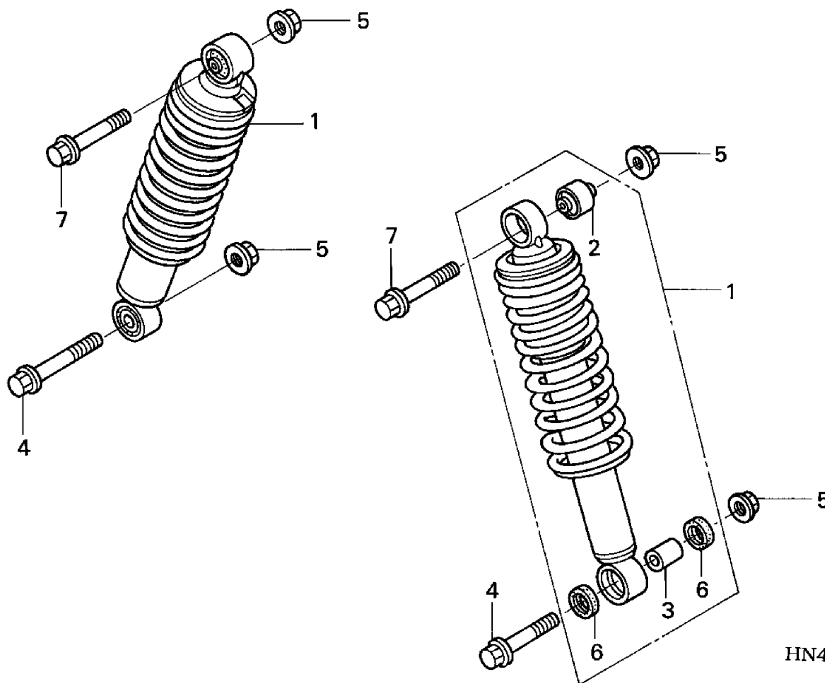
4A=TRX350TM'04
 4B=TRX350TE'04
 4C=TRX350FM'04
 4D=TRX350FE'04

F-8

Frame
Serial Number

Ref	Description	Model	From	To	AREA	QTY	Part Number	H/C
13	MUDGUARD, R. FR. SIDE *NH1* (BLACK)	4A 4B 4C 4D	-----	-----		1	61861-HN7-000ZA	7341258
14	FENDER, R. (INNER).....	4A 4B 4C 4D	-----	-----		1	61862-HN7-000	7340094
15	MUDGUARD, R. FR. (LOWER) *NH1* (BLACK)	4A 4B 4C 4D	-----	-----		1	61863-HN5-M50ZA	7410566
16	MUDGUARD, L. FR. SIDE *NH1* (BLACK)	4A 4B 4C 4D	-----	-----		1	61866-HN7-000ZA	7341282
17	FENDER, L. (INNER)	4A 4B 4C 4D	-----	-----		1	61867-HN7-000	7340110
18	MUDGUARD, L. FR. (LOWER) *NH1* (BLACK)	4A 4B 4C 4D	-----	-----		1	61868-HN5-M50ZA	7410574
19	GRILLE, FR. *NH1* (BLACK).....	4A 4B 4C 4D	-----	-----		1	66300-HN7-000ZA	7341290
20	COVER, R. HEADLIGHT	4A 4B 4C 4D	-----	-----		1	66301-HN7-010	7473267
21	COVER, L. HEADLIGHT	4A 4B 4C 4D	-----	-----		1	66302-HN7-010	7473275
22	CAP, HEADLIGHT TAIL	4A 4B 4C 4D	-----	-----		2	66303-HN5-670	6252563
23	CLAMP, WIRE HARNESS	4A 4B 4C 4D	-----	-----		1	80106-HB7-000	2264489
24	BOLT, FLANGE (6MM).....	4A 4B 4C 4D	-----	-----		2	90111-162-000	0811141
25	CLIP, MUDGUARD.....	4A 4B 4C 4D	-----	-----		24	90653-HC4-900	3795994
26	SCREW, TAPPING (4X12).....	4A 4B 4C 4D	-----	-----		2	93903-24320	0786822
27	SCREW, TAPPING (5X12).....	4A 4B 4C 4D	-----	-----		10	93903-25220	1642495
28	SCREW, TAPPING (6X16).....	4A 4B 4C 4D	-----	-----		4	93904-26210	1958651
29	BOLT, FLANGE (6X14)	4A 4B 4C 4D	-----	-----		6	95701-06014-00	2410884
30	BOLT, FLANGE (6X22)	4A 4B 4C 4D	-----	-----		2	95701-06022-00	2105823

FRONT SHOCK ABSORBER



HN48-F0900

HN48F0900

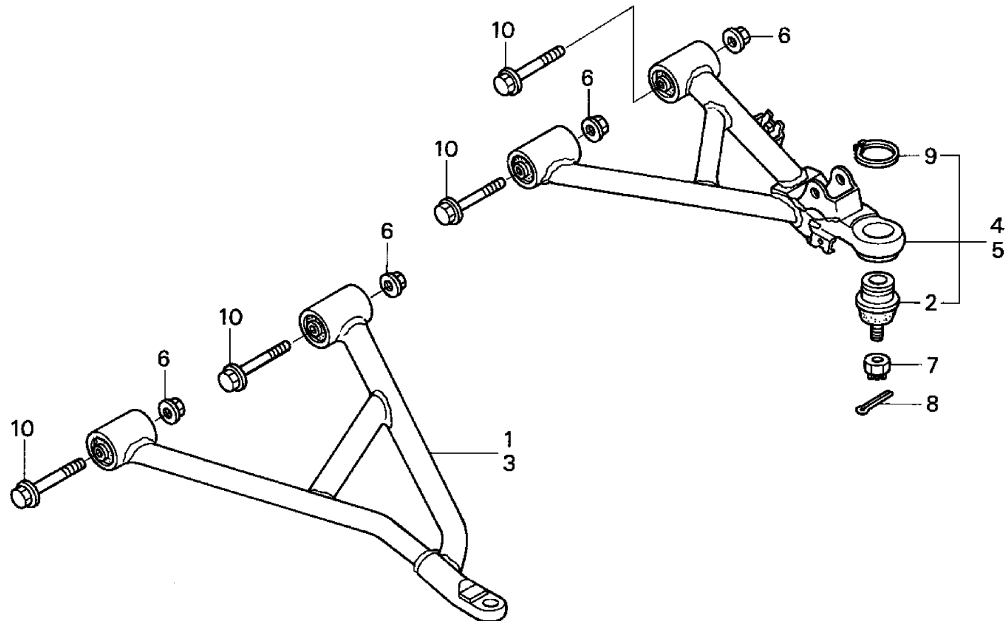
4A=TRX350TM'04
4B=TRX350TE'04
4C=TRX350FM'04
4D=TRX350FE'04

F-9

Frame
Serial Number

Ref	Description	Model	From	To	AREA	QTY	Part Number	H/C
1	SHOCK ABSORBER ASSY., FR.....	4A 4B	-----	-----		2	51400-HN4-M01	7410533
	SHOCK ABSORBER ASSY., FR.....	4C 4D	-----	-----		2	51400-HN5-M41	7450331
2	BUSH, FR. SHOCK ABSORBER	4A 4B 4C 4D	-----	-----		2	51451-HN5-671	6580716
3	COLLAR, FR. SHOCK ABSORBER (LOWER)	4A 4B 4C 4D	-----	-----		2	51486-HN5-670	6251250
4	BOLT, FLANGE (10X45)	4A 4B 4C 4D	-----	-----		2	90163-SZ3-000	4977591
5	NUT, SELF-LOCK (10MM).....	4A 4B 4C 4D	-----	-----		4	90305-HC0-770	2739530
6	DUST SEAL (16X24X4)	4A 4B 4C 4D	-----	-----		4	91253-MBR-003	6314843
7	BOLT, FLANGE (10X40)	4A 4B 4C 4D	-----	-----		2	96400-10040-00	2084762

FRONT ARM (2WD)



HN48--F1000

HN48F1000

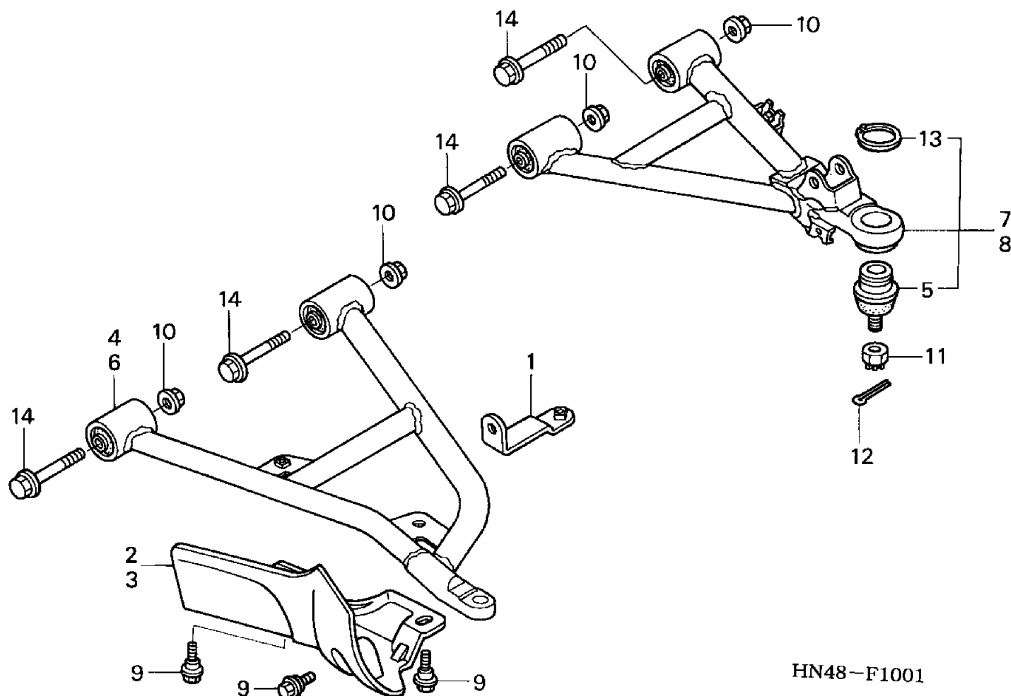
4A=TRX350TM'04
4B=TRX350TE'04
4C=TRX350FM'04
4D=TRX350FE'04

F-10

Frame
Serial Number

Ref	Description	Model	From	To	AREA	QTY	Part Number	H/C
1	ARM ASSY., R. (LOWER)	4A 4B	-----	-----		1	51350-HN4-670	6251078
2	JOINT A, ARM BALL	4A 4B	-----	-----		2	51355-HN0-A01	5753298
3	ARM ASSY., L. (LOWER).....	4A 4B	-----	-----		1	51360-HN4-670	6251094
4	ARM ASSY., R. (UPPER).....	4A 4B	-----	-----		1	51370-HN4-670	6251110
5	ARM ASSY., L. (UPPER)	4A 4B	-----	-----		1	51380-HN4-670	6251151
6	NUT, SELF-LOCK (10MM).....	4A 4B	-----	-----		8	90305-HC0-770	2739530
7	NUT, CASTLE (12MM).....	4A 4B	-----	-----		2	90310-HB9-000	2325991
8	PIN, COTTER (3.0X18)	4A 4B	-----	-----		2	94201-30180	0996017
9	CIRCLIP (OUTER) (34MM)	4A 4B	-----	-----		2	94514-34000	0251827
10	BOLT, FLANGE (10X62)	4A 4B	-----	-----		8	90151-HC5-000	2920742
	BOLT, FLANGE (10X65)	4A 4B	-----	-----		8	95801-10065-00	2735629

FRONT ARM (4WD)



HN48-F1001

HN48F1001

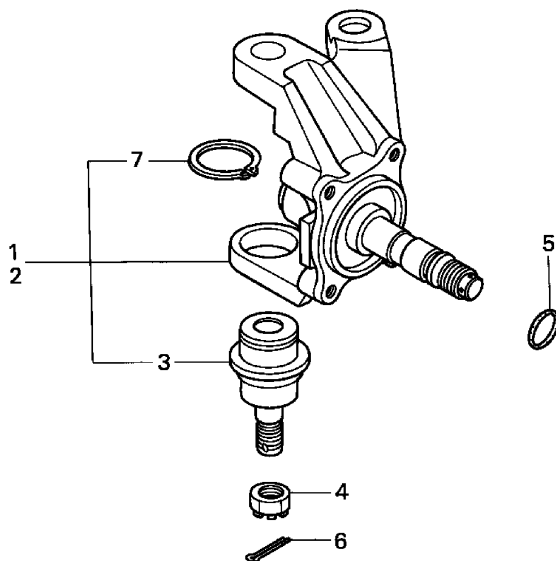
4A=TRX350TM'04
 4B=TRX350TE'04
 4C=TRX350FM'04
 4D=TRX350FE'04

F-10-1

Frame
 Serial Number

Ref	Description	Model	From	To	AREA	QTY	Part Number	H/C
1	STAY, FR. GUARD.....	4C 4D	-----	-----		2	51311-HM7-000	4643904
2	GUARD, R. FR.	4C 4D	-----	-----		1	51315-HN2-000	6400345
3	GUARD, L. FR.....	4C 4D	-----	-----		1	51316-HN2-000	6400352
4	ARM ASSY., R. FR. (LOWER).....	4C 4D	-----	-----		1	51350-HN7-000	7339369
5	JOINT A, ARM BALL	4C 4D	-----	-----		2	51355-HN0-A01	5753298
6	ARM ASSY., L. FR. (LOWER)	4C 4D	-----	-----		1	51360-HN7-000	7339377
7	ARM ASSY., R. (UPPER).....	4C 4D	-----	-----		1	51370-HN5-670	6251128
8	ARM ASSY., L. (UPPER)	4C 4D	-----	-----		1	51380-HN5-670	6251169
9	BOLT, FLANGE (6MM).....	4C 4D	-----	-----		6	90111-KT1-780	2709780
10	NUT, SELF-LOCK (10MM).....	4C 4D	-----	-----		8	90305-HC0-770	2739530
11	NUT, CASTLE (12MM).....	4C 4D	-----	-----		2	90310-HB9-000	2325991
12	PIN, COTTER (3.0X18)	4C 4D	-----	-----		2	94201-30180	0996017
13	CIRCLIP (OUTER) (34MM)	4C 4D	-----	-----		2	94514-34000	0251827
14	BOLT, FLANGE (10X62)	4C 4D	-----	-----		8	90151-HC5-000	2920742
	BOLT, FLANGE (10X65)	4C 4D	-----	-----		8	95801-10065-00	2735629

KNUCKLE (2WD)



HN44-F1100

HN44F1100

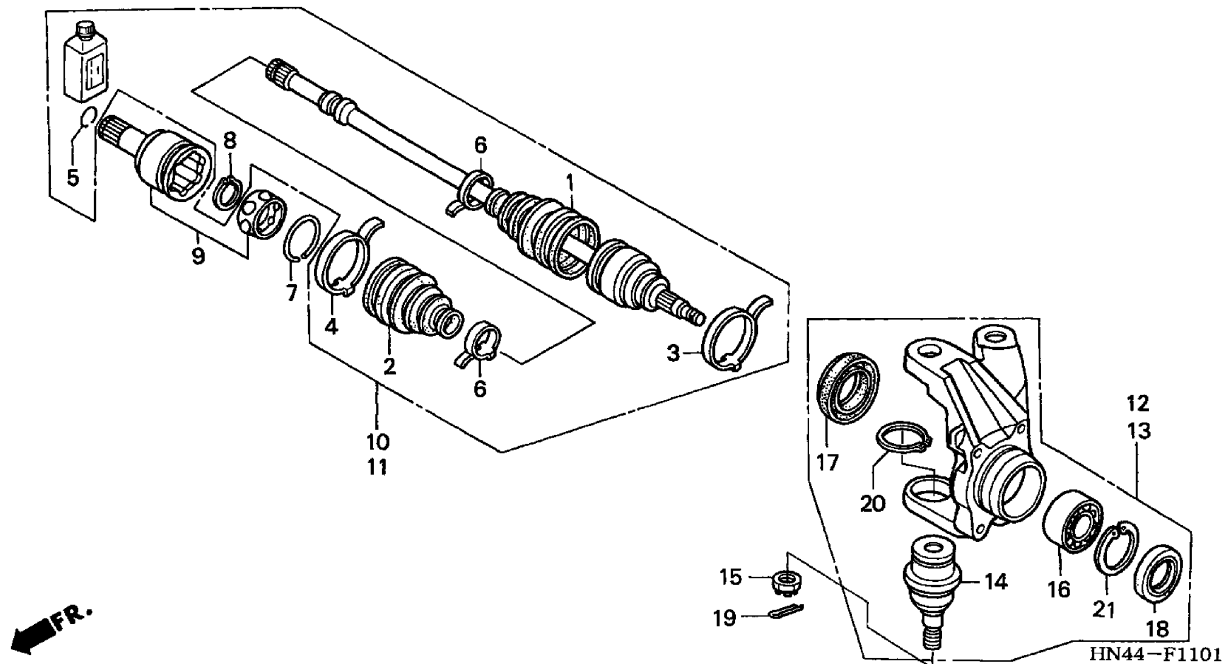
4A=TRX350TM'04
4B=TRX350TE'04
4C=TRX350FM'04
4D=TRX350FE'04

F-11

Frame
Serial Number

Ref	Description	Model	From	To	AREA	QTY	Part Number	H/C
1	KNUCKLE ASSY., R.	4A 4B	-----	-----		1	51200-HN4-670	6251003
2	KNUCKLE ASSY., L.	4A 4B	-----	-----		1	51250-HN4-670	6251045
3	JOINT A, ARM BALL	4A 4B	-----	-----		2	51355-HM5-A81	5828959
4	NUT, CASTLE (12MM).....	4A 4B	-----	-----		2	90310-HB9-000	2325991
5	O-RING (16.8X1.9).....	4A 4B	-----	-----		2	91347-PY3-000	3676855
6	PIN, COTTER (3.0X18)	4A 4B	-----	-----		2	94201-30180	0996017
7	CIRCLIP (OUTER) (32MM)	4A 4B	-----	-----		2	94514-32000	2735421

KNUCKLE (4WD)



HN44F1101

4A=TRX350TM'04
 4B=TRX350TE'04
 4C=TRX350FM'04
 4D=TRX350FE'04

F-11-1

Frame
 Serial Number

Ref	Description	Model	From	To	AREA	QTY	Part Number	H/C
1	BOOT, OUTBOARD	4C 4D	-----	-----		2	42202-HC5-003	2732170
2	BOOT, INBOARD	4C 4D	-----	-----		2	42203-HM7-003	4643607
3	BAND A	4C 4D	-----	-----		2	42204-HC5-003	2732196
4	BAND B	4C 4D	-----	-----		2	42205-HM7-003	4643615
5	RING, SNAP	4C 4D	-----	-----		2	42206-HA7-671	2732212
6	BAND C	4C 4D	-----	-----		4	42206-HC5-003	2732220
7	RING, SNAP	4C 4D	-----	-----		2	42206-HM7-003	4643623
8	CIRCLIP	4C 4D	-----	-----		2	42209-HC5-003	2732253
9	JOINT, INBOARD	4C 4D	-----	-----		2	42220-HM7-003	4643631
10	SHAFT, R.	4C 4D	-----	-----		1	42250-HN5-671	6250674
11	SHAFT, L.	4C 4D	-----	-----		1	42350-HN5-671	6250690
12	KNUCKLE ASSY., R.	4C 4D	-----	-----		1	51200-HN5-670	6251011
13	KNUCKLE ASSY., L.	4C 4D	-----	-----		1	51250-HN5-670	6251052
14	JOINT A, ARM BALL	4C 4D	-----	-----		2	51355-HM5-A81	5828959
15	NUT, CASTLE (12MM).....	4C 4D	-----	-----		2	90310-HB9-000	2325991
16	BEARING, ANGULAR (30X50X20) (TOYO)	4C 4D	-----	-----		2	91051-HC5-003	2735116
17	DUST SEAL (40X58X9)	4C 4D	-----	-----		2	91209-HN5-671	6314827
18	DUST SEAL (38X50X7)	4C 4D	-----	-----		2	91256-HC5-003	2735314

KNUCKLE (4WD)

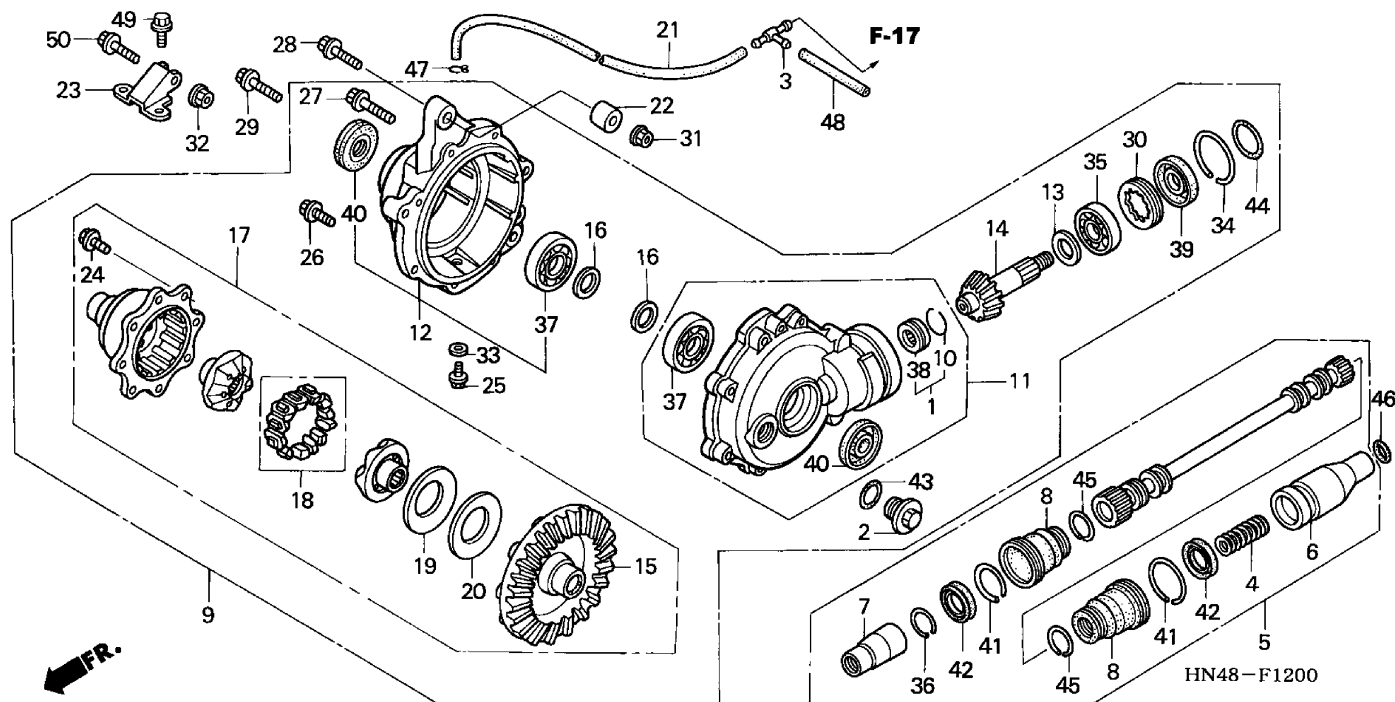
4A=TRX350TM'04
 4B=TRX350TE'04
 4C=TRX350FM'04
 4D=TRX350FE'04

F-11-1

Frame
Serial Number

Ref	Description	Model	From	To	AREA	QTY	Part Number	H/C
19	PIN, COTTER (3.0X18)	4C 4D	-----	-----		2	94201-30180	0996017
20	CIRCLIP (OUTER) (32MM)	4C 4D	-----	-----		2	94514-32000	2735421
21	CIRCLIP (INNER) (50MM)	4C 4D	-----	-----		2	94520-50000	0906586

FRONT FINAL GEAR



HN48F1200

4A=TRX350TM'04
 4B=TRX350TE'04
 4C=TRX350FM'04
 4D=TRX350FE'04

F-12

Frame
 Serial Number

Ref	Description	Model	From	To	AREA	QTY	Part Number	H/C
1	BEARING SET, NEEDLE	4C 4D	-----	-----		1	06910-HM7-610	5147905
2	CAP, VALVE ADJ.	4C 4D	-----	-----		1	12361-035-000	0069625
	CAP, VALVE ADJ.	4C 4D	-----	-----		1	12361-300-000	0188870
	CAP, VALVE ADJ.	4C 4D	-----	-----		1	12361-371-980	0454934
3	JOINT, TUBE	4C 4D	-----	-----		1	38581-671-003	0604595
	JOINT, TUBE	4C 4D	-----	-----		1	38581-679-003	1482462
4	SPRING, SHAFT	4C 4D	-----	-----		1	40215-HM7-000	4643565
5	SHAFT ASSY., FR. PROPELLER	4C 4D	-----	-----		1	40400-HN5-670	6250609
6	JOINT, FR. PROPELLER SHAFT	4C 4D	-----	-----		1	40402-HN5-670	6250617
7	JOINT, FR. FINAL	4C 4D	-----	-----		1	40403-HN5-670	6314058
8	BOOT B, PROPELLER.....	4C 4D	-----	-----		2	40420-HM7-A00	5428214
9	GEAR ASSY., FR. FINAL	4C 4D	-----	-----		1	41400-HN5-M40	7408164
10	RING, STOPPER	4C 4D	-----	-----		1	41405-HA7-670	2101772
11	CASE SUB-ASSY., FR. GEAR.....	4C 4D	-----	-----		1	41411-HN5-670	6250658
12	COVER SUB-ASSY., FR. GEAR	4C 4D	-----	-----		1	41420-HN5-670	6250666
13	SHIM L, PINION GEAR (1.64)	4C 4D	-----	-----		1	41447-HM7-000	4713285
	SHIM M, PINION GEAR (1.70).....	4C 4D	-----	-----		1	41448-HM7-000	4713293
	SHIM N, PINION GEAR (1.76)	4C 4D	-----	-----		1	41449-HM7-000	4713301

FRONT FINAL GEAR

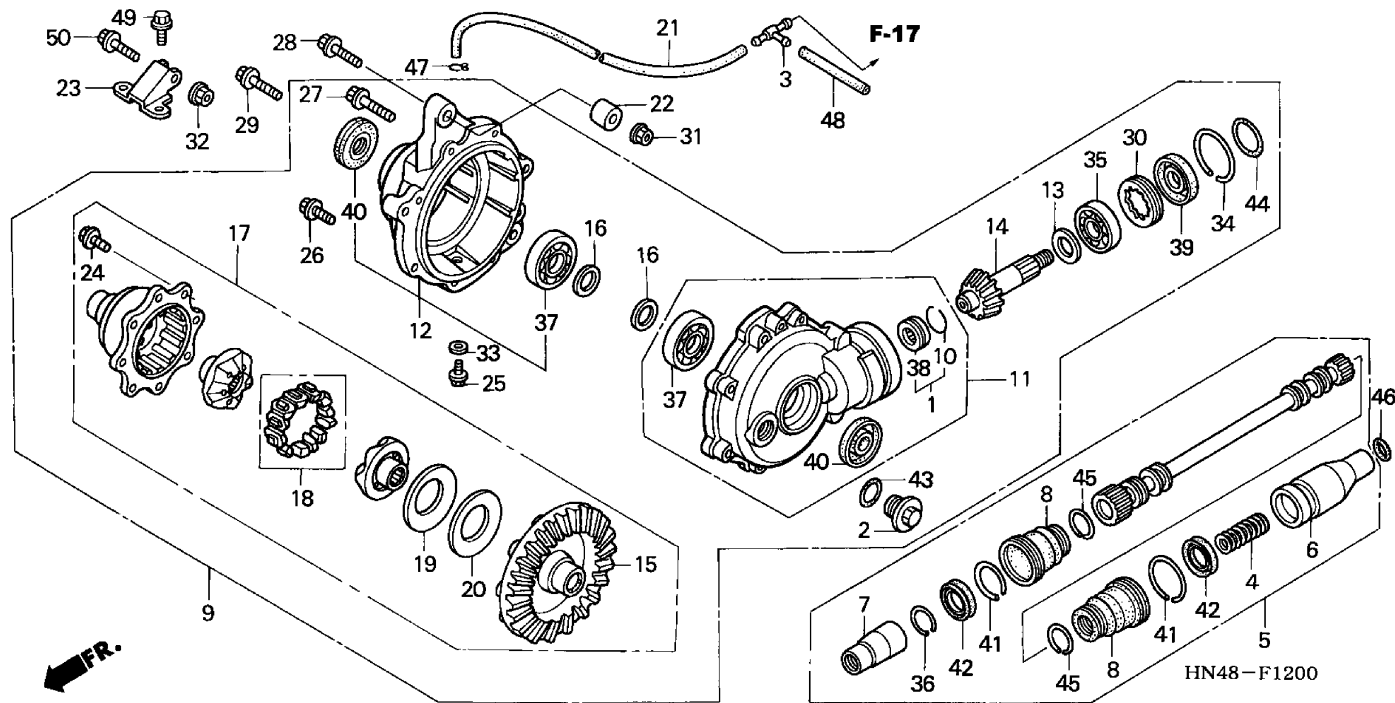
4A=TRX350TM'04
 4B=TRX350TE'04
 4C=TRX350FM'04
 4D=TRX350FE'04

F-12

Frame
Serial Number

Ref	Description	Model	From	To	AREA	QTY	Part Number	H/C
13	SHIM A, PINION GEAR (1.82)	4C 4D	-----	-----		1	41451-HA0-000	1822311
	SHIM B, PINION GEAR (1.88)	4C 4D	-----	-----		1	41452-HA0-000	1822329
	SHIM C, PINION GEAR (1.94)	4C 4D	-----	-----		1	41453-HA0-000	1822337
	SHIM D, PINION GEAR (2.00)	4C 4D	-----	-----		1	41454-HA0-000	1822345
	SHIM E, PINION GEAR (2.06)	4C 4D	-----	-----		1	41455-HA0-000	1822352
	SHIM F, PINION GEAR (2.12)	4C 4D	-----	-----		1	41456-HA0-000	1822360
	SHIM G, PINION GEAR (2.18)	4C 4D	-----	-----		1	41457-HA0-000	1822378
14	GEAR, FR. PINION	4C 4D	-----	-----		1	41521-HN5-670	6314108
15	GEAR, FR. RING (49T)	4C 4D	-----	-----		1	41531-HN7-000	7341605
16	SHIM A, DIFFERENTIAL CASE (0.50).....	4C 4D	-----	-----		2	41631-HC5-000	2977726
	SHIM B, DIFFERENTIAL CASE (0.55).....	4C 4D	-----	-----		2	41632-HC5-000	2977734
	SHIM C, DIFFERENTIAL CASE (0.60)	4C 4D	-----	-----		2	41633-HC5-000	2977742
	SHIM D, DIFFERENTIAL CASE (0.65)	4C 4D	-----	-----		2	41634-HC5-000	2977759
	SHIM E, DIFFERENTIAL CASE (0.70).....	4C 4D	-----	-----		2	41635-HC5-000	2977767
	SHIM F, DIFFERENTIAL CASE (0.75).....	4C 4D	-----	-----		2	41636-HC5-000	2977775
	SHIM G, DIFFERENTIAL CASE (0.80)	4C 4D	-----	-----		2	41637-HC5-000	2977783
	SHIM H, DIFFERENTIAL CASE (0.85)	4C 4D	-----	-----		2	41638-HC5-000	2977791
	SHIM I, DIFFERENTIAL CASE (0.90)	4C 4D	-----	-----		2	41639-HC5-000	2977809
	SHIM J, DIFFERENTIAL CASE (0.95).....	4C 4D	-----	-----		2	41640-HC5-000	2977817
	SHIM K, DIFFERENTIAL CASE (1.00).....	4C 4D	-----	-----		2	41641-HC5-000	2977825
	SHIM L, DIFFERENTIAL CASE (1.05).....	4C 4D	-----	-----		2	41642-HC5-000	2977833
	SHIM M, DIFFERENTIAL CASE (1.10)	4C 4D	-----	-----		2	41643-HC5-000	2977841
	SHIM N, DIFFERENTIAL CASE (1.15)	4C 4D	-----	-----		2	41644-HC5-000	2977858
	SHIM O, DIFFERENTIAL CASE (1.20)	4C 4D	-----	-----		2	41645-HC5-000	2977866
	SHIM P, DIFFERENTIAL CASE (1.25).....	4C 4D	-----	-----		2	41646-HC5-000	2977874
	SHIM Q, DIFFERENTIAL CASE (1.30)	4C 4D	-----	-----		2	41647-HC5-000	2977882
	SHIM R, DIFFERENTIAL CASE (1.35)	4C 4D	-----	-----		2	41648-HC5-000	2977890
	SHIM S, DIFFERENTIAL CASE (1.40).....	4C 4D	-----	-----		2	41649-HC5-000	2977908
	SHIM T, DIFFERENTIAL CASE (1.45).....	4C 4D	-----	-----		2	41650-HC5-000	2977916
	SHIM U, DIFFERENTIAL CASE (1.50)	4C 4D	-----	-----		2	41651-HC5-000	2977924
	SHIM V, DIFFERENTIAL CASE (1.55).....	4C 4D	-----	-----		2	41652-HC5-000	2977932
	SHIM W, DIFFERENTIAL CASE (1.60)	4C 4D	-----	-----		2	41653-HC5-000	2977940
17	DIFFERENTIAL ASSY.....	4C 4D	-----	-----		1	42400-HN7-003	7379241
18	FOLLOWER SET, CAM	4C 4D	-----	-----		1	42440-HN5-671	6314132

FRONT FINAL GEAR



HN48F1200

4A=TRX350TM'04
 4B=TRX350TE'04
 4C=TRX350FM'04
 4D=TRX350FE'04

F-12

Frame
Serial Number

Ref	Description	Model	From	To	AREA	QTY	Part Number	H/C
19	SHIM A (1.3).....	4C 4D	-----	-----		1	42451-HN7-003	7379126
	SHIM B (1.4).....	4C 4D	-----	-----		1	42452-HN7-003	7379134
	SHIM C (1.5).....	4C 4D	-----	-----		1	42453-HN7-003	7379142
	SHIM D (1.6).....	4C 4D	-----	-----		1	42454-HN7-003	7379159
	SHIM E (1.7).....	4C 4D	-----	-----		1	42455-HN7-003	7379167
	SHIM F (1.8).....	4C 4D	-----	-----		1	42456-HN7-003	7379175
	SHIM G (1.9)	4C 4D	-----	-----		1	42457-HN7-003	7379183
20	SPRING, DIFFERENTIAL SIDE CONED	4C 4D	-----	-----		1	42461-HN5-671	6314215
21	TUBE, BREATHER (3.5X1050)	4C 4D	-----	-----		1	44121-HN5-670	6250765
22	COLLAR, FR. ENGINE HANGER	4C 4D	-----	-----		1	50304-KS3-900	2732931
23	BRACKET, FR. GEAR CASE	4C 4D	-----	-----		1	50350-HN5-670	6250930
24	BOLT (8X17) (14.9)	4C 4D	-----	-----		8	90101-HN8-000	7178635
25	BOLT, SEALING (8MM)	4C 4D	-----	-----		1	90109-371-000	0417873
26	BOLT, FLANGE (8X27)	4C 4D	-----	-----		6	90133-MB0-000	1251016
27	BOLT, FLANGE (10X35)	4C 4D	-----	-----		2	90134-HA0-000	1824358
28	BOLT, FLANGE (10X62)	4C 4D	-----	-----		1	90151-HC5-000	2920742
29	BOLT, FLANGE (10X48)	4C 4D	-----	-----		1	90154-HC5-000	2920734
30	NUT, LOCK (60MM)	4C 4D	-----	-----		1	90244-HA0-000	1824408

FRONT FINAL GEAR

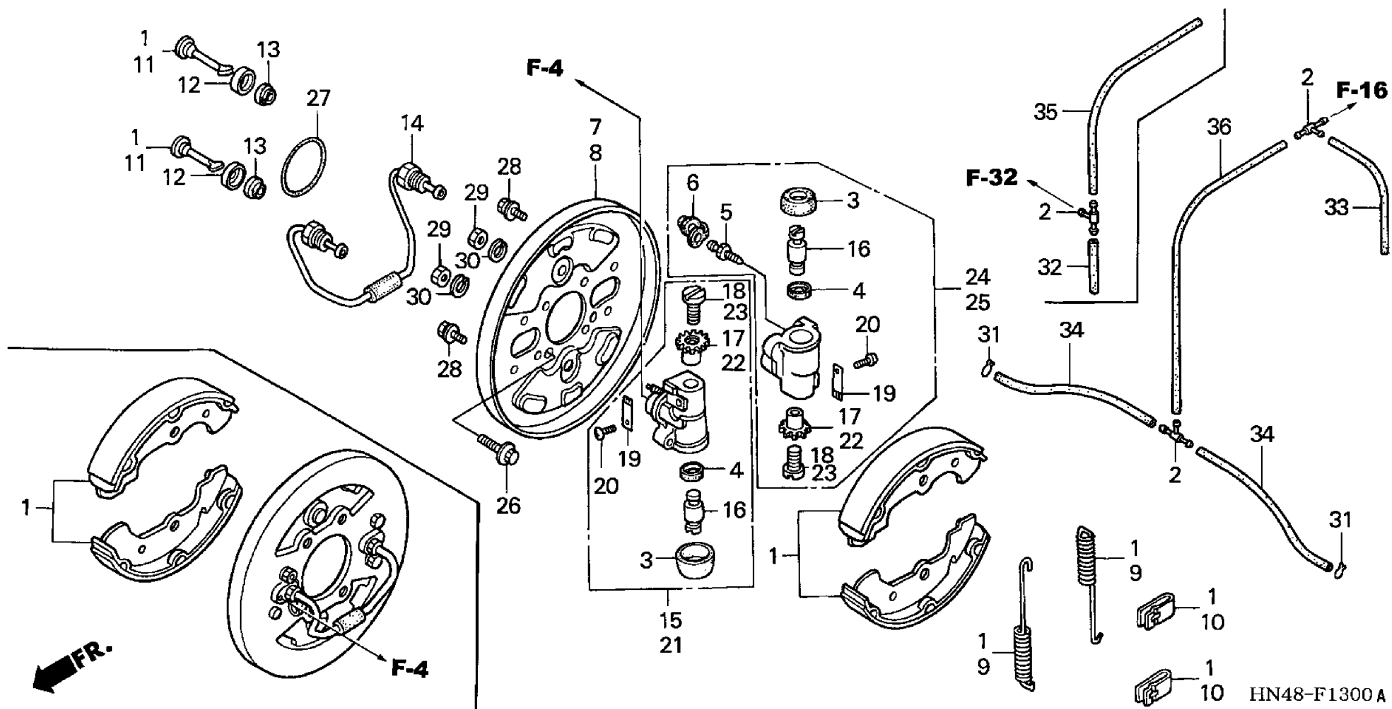
4A=TRX350TM'04
 4B=TRX350TE'04
 4C=TRX350FM'04
 4D=TRX350FE'04

F-12

Frame
Serial Number

Ref	Description	Model	From	To	AREA	QTY	Part Number	H/C
31	NUT, SELF-LOCK (10MM).....	4C 4D	-----	-----		1	90305-HC0-770	2739530
32	NUT, FLANGE (8MM).....	4C 4D	-----	-----		1	90309-KF0-003	1420231
	NUT, FLANGE (8MM).....	4C 4D	-----	-----		1	90309-428-731	1001197
33	WASHER (8MM).....	4C 4D	-----	-----		1	90471-580-000	0517144
34	CLIP, PISTON PIN (1.2X18).....	4C 4D	-----	-----		1	90601-430-000	0681049
35	BEARING, RADIAL BALL (63/22)	4C 4D	-----	-----		1	91001-MN8-911	3618394
	BEARING, RADIAL BALL (6322) (TNT)	4C 4D	-----	-----		1	91001-436-003	0748905
	BEARING, RADIAL BALL (63/22)	4C 4D	-----	-----		1	91002-KY4-901	4186003
36	CLIP, NEEDLE THRUST BEARING (12MM).....	4C 4D	-----	-----		1	91012-KF0-000	1417526
37	BEARING, RADIAL BALL (29X52X12) (NTN CORP.)	4C 4D	-----	-----		2	91052-HC5-003	2978450
	BEARING, RADIAL BALL (29X52X12) (KOYO).....	4C 4D	-----	-----		2	91052-HC5-004	2978468
38	BEARING, NEEDLE (14X24.5X15) (KOYO)	4C 4D	-----	-----		1	91061-HA7-672	2105245
	BEARING, NEEDLE (14X24.5X15)	4C 4D	-----	-----		1	91061-HC4-003	2938991
39	OIL SEAL (30X64X11)	4C 4D	-----	-----		1	91251-HN5-671	6314835
40	DUST SEAL (22X48X7)	4C 4D	-----	-----		2	91252-HC5-003	2735298
41	BAND, BOOT (D27)	4C 4D	-----	-----		2	91302-HM7-A00	5520713
42	SEAL, PROPELLER.....	4C 4D	-----	-----		2	91302-HN5-671	6314850
43	O-RING (30.8MM)	4C 4D	-----	-----		1	91302-001-020	0001065
44	O-RING (11X1.9) (NOK).....	4C 4D	-----	-----		1	91303-HA0-004	1842384
45	BAND, BOOT (D20)	4C 4D	-----	-----		2	91303-HM7-A00	5520721
46	O-RING (16X1.9)	4C 4D	-----	-----		1	91306-329-000	0280404
47	CLIP, TUBE (C6.5).....	4C 4D	-----	-----		1	95002-35000	0165357
48	BULK HOSE, VACUUM (3.5X1000) (3.5X250)	4C 4D	-----	-----		1	95005-35001-30M	5356167
49	BOLT, FLANGE (8X16)	4C 4D	-----	-----		2	95701-08016-07	2724003
50	BOLT, FLANGE (8X30)	4C 4D	-----	-----		1	95801-08030-00	3681160

FRONT BRAKE PANEL



HN48-F1300A

HN48F1300A

4A=TRX350TM'04
 4B=TRX350TE'04
 4C=TRX350FM'04
 4D=TRX350FE'04

F-13

Frame
 Serial Number

Ref	Description	Model	From	To	AREA	QTY	Part Number	H/C
1	SHOE SET, BRAKE	4A 4B 4C 4D	-----	-----		2	06450-HN5-671	6292452
2	JOINT, TUBE	4B 4C 4D	-----	-----		3	38581-671-003	0604595
		4A	-----	-----		2	38581-671-003	0604595
	JOINT, TUBE	4B 4C 4D	-----	-----		3	38581-679-003	1482462
		4A	-----	-----		2	38581-679-003	1482462
3	COVER, DUST.....	4A 4B 4C 4D	-----	-----		4	43315-SN4-003	3914405
	COVER, DUST.....	4A 4B 4C 4D	-----	-----		4	43315-671-631	0783480
4	CUP, PISTON.....	4A 4B 4C 4D	-----	-----		4	43322-663-003	1135219
5	SCREW, BLEEDER	4A 4B 4C 4D	-----	-----		2	43352-HC5-971	4075750
6	CAP, BLEEDER	4A 4B 4C 4D	-----	-----		2	43353-461-771	0954230
7	PLATE, R. BACK	4A 4B 4C 4D	-----	-----		1	45110-HN5-671	6292486
8	PLATE, L. BACK.....	4A 4B 4C 4D	-----	-----		1	45120-HN5-671	6292494
9	SPRING, BRAKE	4A 4B 4C 4D	-----	-----		4	45171-HN5-671	6292510
10	SPRING, SHOE CLAMP	4A 4B 4C 4D	-----	-----		4	45172-S04-003	4777918
11	PIN, TENSION	4A 4B 4C 4D	-----	-----		4	45175-HC4-006	2938983
12	CAP, PIN	4A 4B 4C 4D	-----	-----		4	45176-HM5-A81	5828751
13	SEAL, PIN (NISSIN).....	4A 4B 4C 4D	-----	-----		4	45177-HA7-651	2659175
14	PIPE, FR. WHEEL CYLINDER.....	4A 4B 4C 4D	-----	-----		2	45181-HC5-006	2732741

FRONT BRAKE PANEL

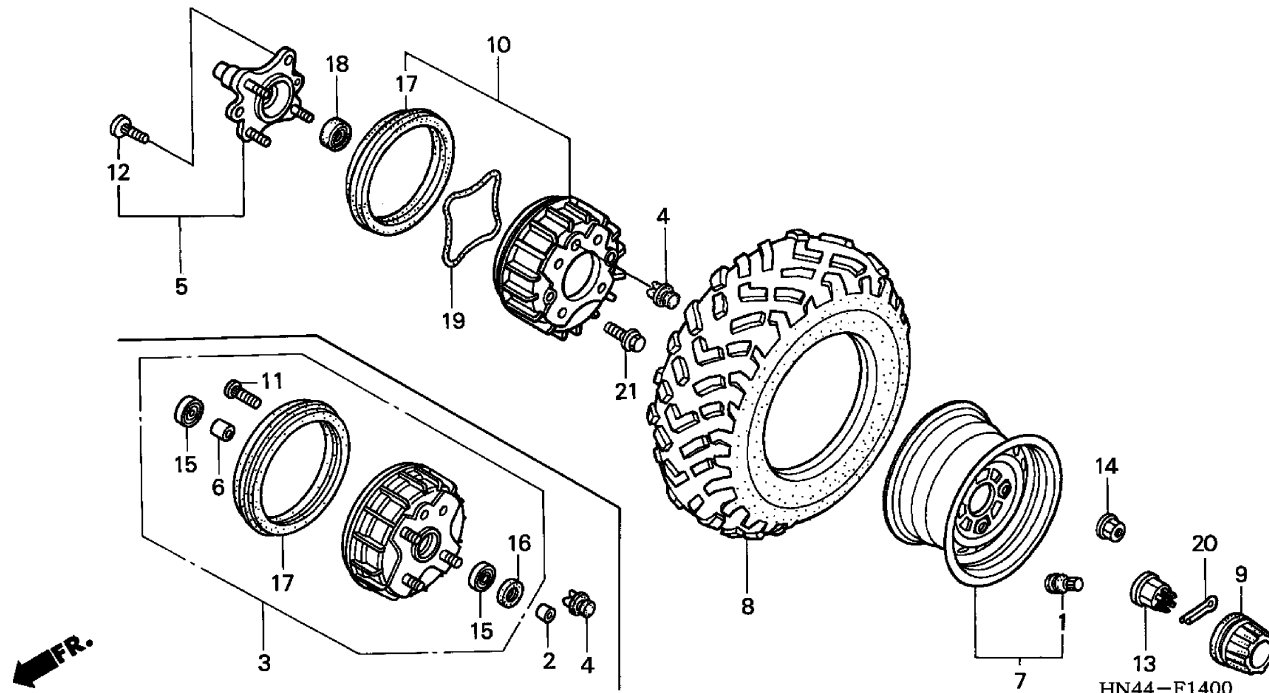
4A=TRX350TM'04
 4B=TRX350TE'04
 4C=TRX350FM'04
 4D=TRX350FE'04

F-13

Frame
Serial Number

Ref	Description	Model	From	To	AREA	QTY	Part Number	H/C
15	CYLINDER ASSY., R. FR. WHEEL	4A 4B 4C 4D	-----	-----		1	45310-HN2-006	6402606
16	PISTON	4A 4B 4C 4D	-----	-----		4	45314-HN0-A01	5749304
17	NUT, R. ADJUSTER.....	4A 4B 4C 4D	-----	-----		2	45316-VM0-003	1773308
18	SCREW, R. FR. ADJUSTING.....	4A 4B 4C 4D	-----	-----		2	45317-634-013	1773316
19	LOCK, SPRING	4A 4B 4C 4D	-----	-----		4	45318-HA7-671	2251551
20	SCREW-WASHER (4X6)	4A 4B 4C 4D	-----	-----		4	45319-634-003	1111517
21	CYLINDER ASSY., L. FR. WHEEL	4A 4B 4C 4D	-----	-----		1	45330-HN2-006	6402614
22	NUT, L. ADJUSTER.....	4A 4B 4C 4D	-----	-----		2	45336-VM0-003	1779149
23	SCREW, L. ADJUSTING	4A 4B 4C 4D	-----	-----		2	45337-634-013	1773340
24	CYLINDER ASSY. B, R. FR. WHEEL	4A 4B 4C 4D	-----	-----		1	45350-HN0-A01	5749320
25	CYLINDER ASSY. B, L. FR. WHEEL.....	4A 4B 4C 4D	-----	-----		1	45370-HN0-A01	5749338
26	BOLT, FLANGE (8X20)	4A 4B 4C 4D	-----	-----		8	90115-HA7-651	2660058
27	O-RING (64.6X1.7).....	4A 4B 4C 4D	-----	-----		2	91357-HM7-003	4688826
28	BOLT-WASHER (6X12)	4A 4B 4C 4D	-----	-----		4	93402-06012-08	2646628
	BOLT-WASHER (6X12)	4A 4B 4C 4D	-----	-----		4	93412-06012-08	3811023
29	NUT, HEX. (8MM).....	4A 4B 4C 4D	-----	-----		4	94001-08000-0S	0167338
	NUT, HEX. (8MM).....	4A 4B 4C 4D	-----	-----		4	94001-08080-0S	0331454
	NUT, HEX. (8MM).....	4A 4B 4C 4D	-----	-----		4	94001-08080-05	2520443
	NUT, HEX. (8MM).....	4A 4B 4C 4D	-----	-----		4	94001-08200-0S	1497643
30	WASHER, SPRING (8MM).....	4A 4B 4C 4D	-----	-----		4	94111-08800	0260331
31	CLIP, TUBE (C6.5).....	4A 4B 4C 4D	-----	-----		2	95002-35000	0165357
32	BULK HOSE, VACUUM (3.5X1000) (3.5X120)	4B 4C 4D	-----	-----		1	95005-35001-30M	5356167
33	BULK HOSE, VACUUM (3.5X1000) (3.5X250)	4A 4B 4C 4D	-----	-----		1	95005-35001-30M	5356167
34	BULK HOSE, VACUUM (3.5X1000) (3.5X590)	4A	-----	-----		2	95005-35001-30M	5356167
	BULK HOSE, VACUUM (3.5X1000) (3.5X600)	4B 4C 4D	-----	-----		2	95005-35001-30M	5356167
35	BULK HOSE, VACUUM (3.5X1000) (3.5X770)	4B 4C 4D	-----	-----		1	95005-35001-30M	5356167
36	BULK HOSE, VACUUM (3.5X1000) (3.5X900)	4A	-----	-----		1	95005-35001-30M	5356167

FRONT WHEEL



HN44-F1400

HN44F1400

4A=TRX350TM'04
4B=TRX350TE'04
4C=TRX350FM'04
4D=TRX350FE'04

F-14

Frame
Serial Number

Ref	Description	Model	From	To	AREA	QTY	Part Number	H/C
1	VALVE, RIM (TR412)	4A 4B 4C 4D	-----	-----		2	42753-HF1-670	3442076
2	COLLAR, FR. WHEEL	4A 4B	-----	-----		2	44312-HC4-840	4075792
3	HUB ASSY., FR. WHEEL	4A 4B	-----	-----		2	44600-HN4-670	6250773
4	PLUG, ADJUSTING HOLE.....	4A 4B 4C 4D	-----	-----		2	44602-HM5-A10	5385232
5	HUB, FR. WHEEL.....	4C 4D	-----	-----		2	44610-HM5-A80	5828850
6	COLLAR, FR. DISTANCE	4A 4B	-----	-----		2	44620-HN4-670	6250781
7	WHEEL SUB-ASSY., FR. (TYPE1)	4A 4B	-----	-----		2	44650-HN4-M00ZA	7450315
	WHEEL SUB-ASSY., FR. (TYPE1)	4C 4D	-----	-----		2	44650-HN7-000ZA	7369549
8	TIRE (24X8-12) (GOODYEAR)	4A 4B	-----	-----		2	44711-HN4-671	6580799
	TIRE (24X8-12) (BS)	4C 4D	-----	-----		2	44711-HN5-672	6250823
9	CAP, WHEEL CENTER	4A 4B 4C 4D	-----	-----		2	44732-HC4-010	7116452
10	DRUM ASSY., FR. BRAKE	4C 4D	-----	-----		2	45700-HN5-670	6250906
11	BOLT, WHEEL (10X33)	4A 4B	-----	-----		8	90103-HA0-300	1824317
12	BOLT, WHEEL (10X38)	4C 4D	-----	-----		8	90104-HN0-A60	6660435
13	NUT, CASTLE (18MM).....	4A 4B	-----	-----		2	90304-HM5-A80	5902028
	NUT, CASTLE (16MM).....	4C 4D	-----	-----		2	90305-HM5-A80	5828769
14	NUT, WHEEL	4A 4B 4C 4D	-----	-----		8	90314-HM5-A10	5386057
15	BEARING, RADIAL BALL (6004)	4A 4B	-----	-----		4	91053-HC4-000	2735140

FRONT WHEEL

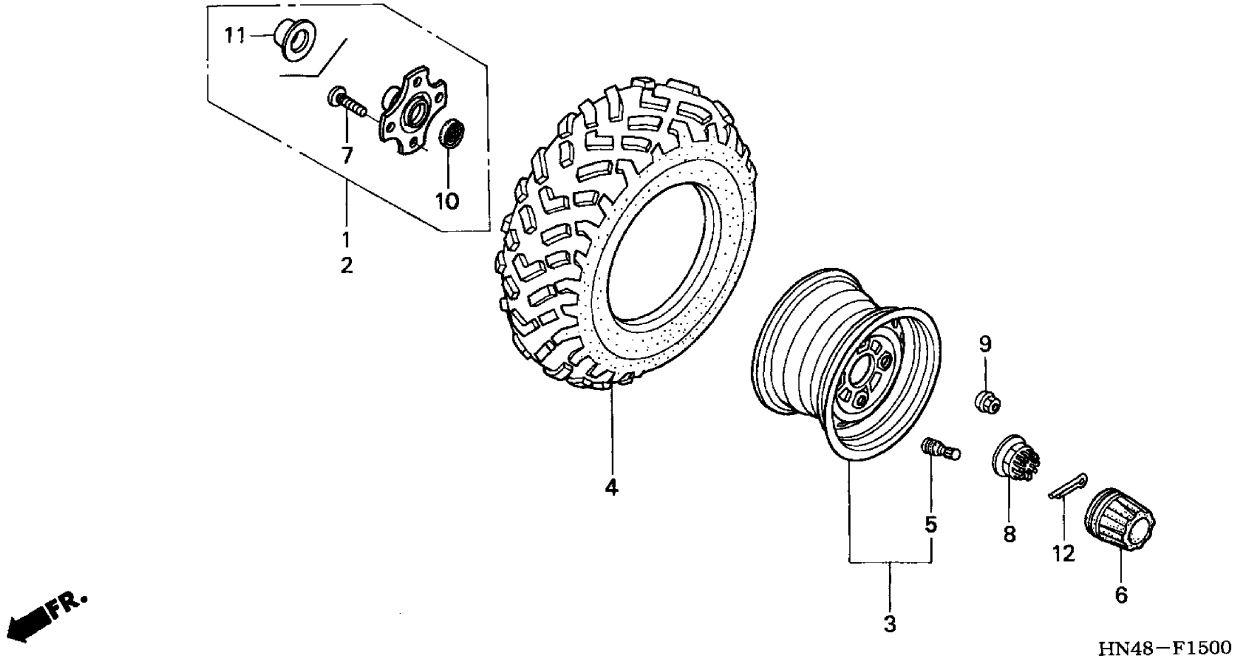
4A=TRX350TM'04
 4B=TRX350TE'04
 4C=TRX350FM'04
 4D=TRX350FE'04

F-14

Frame
Serial Number

Ref	Description	Model	From	To	AREA	QTY	Part Number	H/C
15	BEARING, RADIAL BALL (6004)	4A 4B	-----	-----		4	91053-HC4-003	2728814
16	DUST SEAL (28X42X8) (NOK)	4A 4B	-----	-----		2	91257-MAY-003	5216452
17	DUST SEAL, FR. BRAKE	4A 4B 4C 4D	-----	-----		2	91261-HN5-671	6292569
18	DUST SEAL (19X22.5X10.5) (ARAI)	4C 4D	-----	-----		2	91263-HA7-771	2431872
19	O-RING, BRAKE DRUM	4C 4D	-----	-----		2	91356-HA7-651	2660082
20	PIN, COTTER (4.0X30)	4A 4B	-----	-----		2	94201-40300	0058461
	PIN, COTTER (3.0X25)	4C 4D	-----	-----		2	94201-30250	0058420
	PIN, COTTER (3X30)	4C 4D	-----	-----		2	94201-30300	0058438
	PIN, COTTER (3.0X40)	4C 4D	-----	-----		2	94201-30400	0058446
	PIN, COTTER (3.0X45)	4C 4D	-----	-----		2	94201-30450	0058453
21	BOLT, FLANGE (6X10)	4C 4D	-----	-----		4	96001-06010-00	2154656

REAR WHEEL



HN48F1500

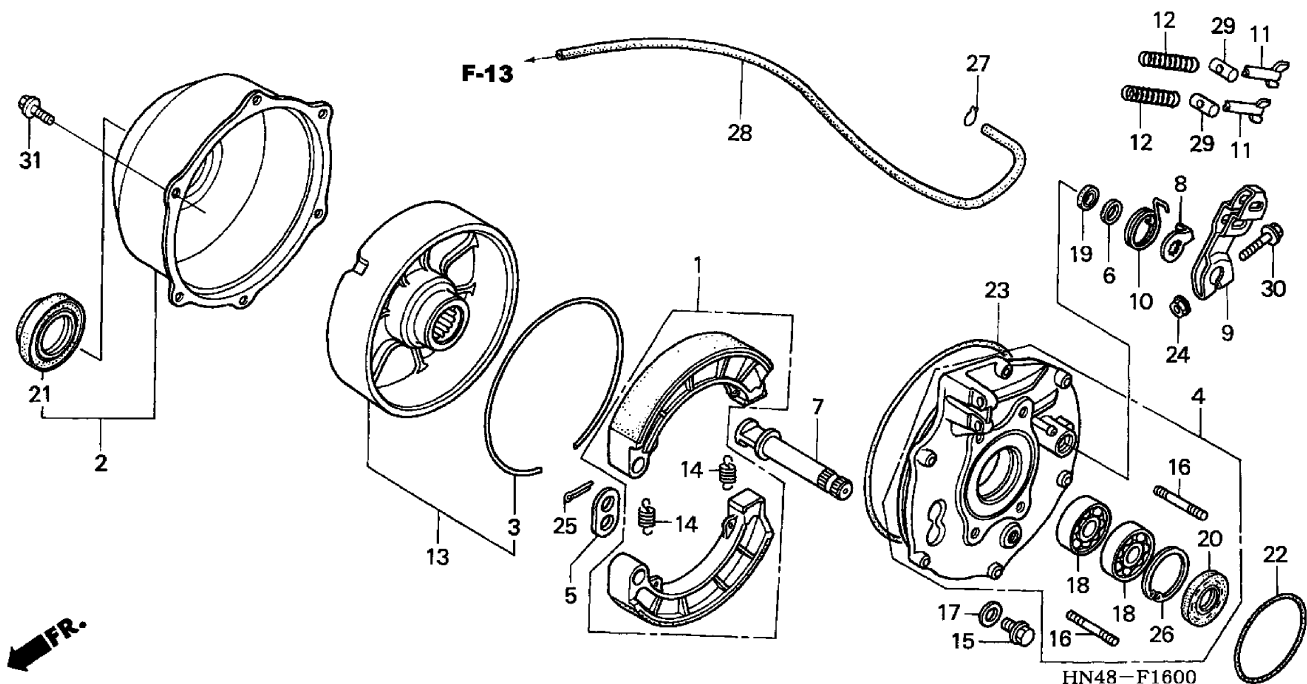
4A=TRX350TM'04
4B=TRX350TE'04
4C=TRX350FM'04
4D=TRX350FE'04

F-15

Frame
Serial Number

Ref	Description	Model	From	To	AREA	QTY	Part Number	H/C
1	HUB, R. RR.	4A 4B 4C 4D	-----	-----		1	42610-HN0-670	6706238
2	HUB, L. RR.	4A 4B 4C 4D	-----	-----		1	42620-HN0-670	6706246
3	WHEEL SUB-ASSY., RR. (TYPE1)	4A 4B	-----	-----		2	42650-HN4-M00ZA	7472566
	WHEEL SET, RR. (TYPE1)	4C 4D	-----	-----		2	42650-HN5-M40ZA	7472574
4	TIRE (25X11-10) (GOODYEAR)	4A 4B	-----	-----		2	42711-HN4-671	6580781
	TIRE, RR. (24X9-11) (BS)	4C 4D	-----	-----		2	42711-HN5-672	6250724
5	VALVE, RIM (TR412)	4A 4B 4C 4D	-----	-----		2	42753-HF1-670	3442076
6	CAP, WHEEL CENTER	4A 4B 4C 4D	-----	-----		2	44732-HC4-010	7116452
7	BOLT, WHEEL (10X32)	4A 4B 4C 4D	-----	-----		8	90103-HN0-A60	6660427
8	NUT, AXLE (20MM)	4A 4B 4C 4D	-----	-----		2	90304-HM7-A10	5897236
9	NUT, WHEEL	4A 4B 4C 4D	-----	-----		8	90314-HM5-A10	5386057
10	DUST SEAL (21.4X28.2X5)	4A 4B 4C 4D	-----	-----		2	91255-HM7-003	4688768
11	RING, SIDE SEAL	4A 4B 4C 4D	-----	-----		1	91265-HA8-003	1973437
12	PIN, COTTER (4.0X40)	4A 4B 4C 4D	-----	-----		2	94201-40400	1047679

REAR BRAKE PANEL



HN48F1600

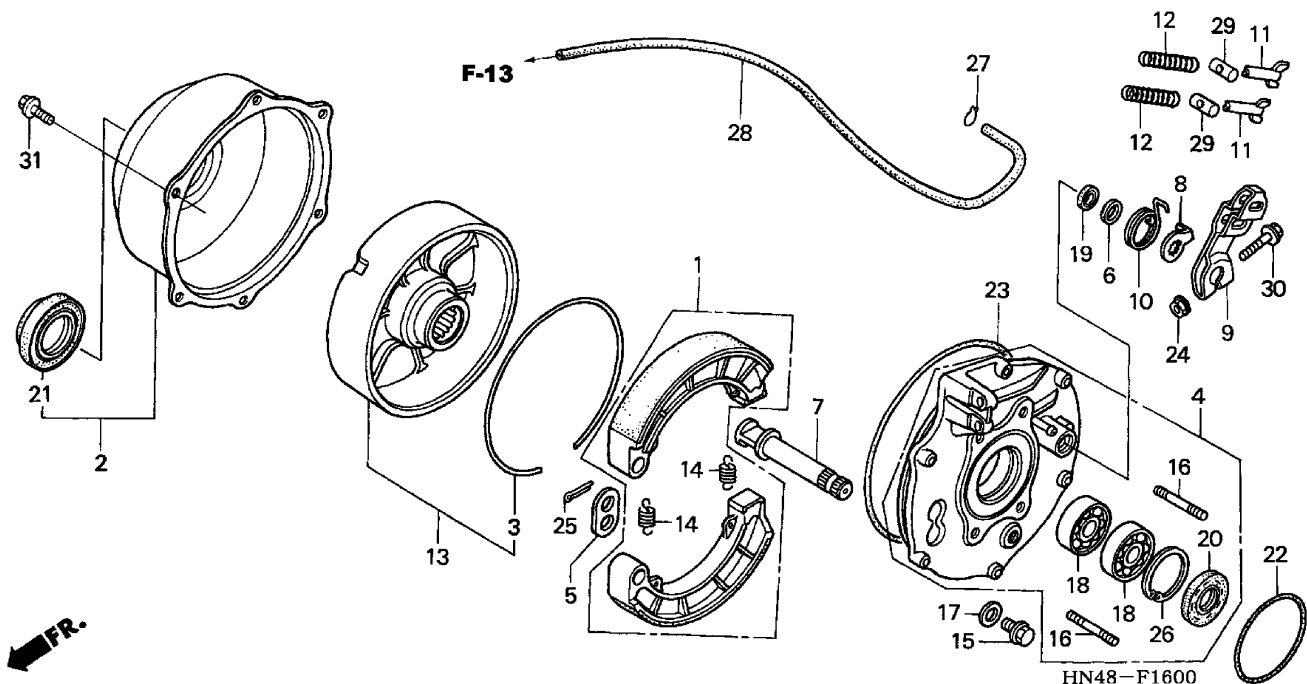
4A=TRX350TM'04
 4B=TRX350TE'04
 4C=TRX350FM'04
 4D=TRX350FE'04

F-16

Frame
 Serial Number

Ref	Description	Model	From	To	AREA	QTY	Part Number	H/C
1	SHOE SET, RR. BRAKE	4A 4B 4C 4D	-----	-----		1	06430-HN0-A20	6050025
	SHOE SET, BRAKE (JB)	4A 4B 4C 4D	-----	-----		1	06430-HN0-A30	6148852
2	COVER ASSY., DRUM.....	4A 4B 4C 4D	-----	-----		1	40520-HN5-M00	7076136
3	RING, DAMPER	4A 4B 4C 4D	-----	-----		1	42624-HN5-M00	7076144
4	PANEL SET, RR. BRAKE.....	4A 4B 4C 4D	-----	-----		1	43010-HN5-670	6314231
5	WASHER, ANCHOR PIN	4A 4B 4C 4D	-----	-----		1	43102-319-000	0212092
6	DUST SEAL, BRAKE CAM.....	4A 4B 4C 4D	-----	-----		1	43134-300-000	0191064
7	CAM, RR. BRAKE	4A 4B 4C 4D	-----	-----		1	43141-HN5-670	6314249
8	INDICATOR, BRAKE	4A 4B 4C 4D	-----	-----		1	43145-HN5-M00	7076151
9	ARM, RR. BRAKE	4A 4B 4C 4D	-----	-----		1	43410-HN5-670	6314256
10	SPRING, RR. BRAKE ARM	4A 4B 4C 4D	-----	-----		1	43415-HM7-000	4688057
11	NUT, BRAKE ADJUSTING.....	4A 4B 4C 4D	-----	-----		2	43459-HM5-A10	5385216
12	SPRING, RR. BRAKE ROD	4A 4B 4C 4D	-----	-----		2	43467-HA0-000	1974328
13	DRUM ASSY., RR. BRAKE	4A 4B 4C 4D	-----	-----		1	43620-HN5-M00	7076169
14	SPRING, FR. BRAKE SHOE	4A 4B 4C 4D	-----	-----		2	45133-329-000	0293316
15	BOLT, SEALING (8MM)	4A 4B 4C 4D	-----	-----		1	90109-371-000	0417873
16	BOLT, STUD (10X25).....	4A 4B 4C 4D	-----	-----		4	90151-HA7-670	2104826
17	WASHER (8MM).....	4A 4B 4C 4D	-----	-----		1	90471-580-000	0517144

REAR BRAKE PANEL



HN48F1600

4A=TRX350TM'04
 4B=TRX350TE'04
 4C=TRX350FM'04
 4D=TRX350FE'04

F-16

Frame
 Serial Number

Ref	Description	Model	From	To	AREA	QTY	Part Number	H/C
18	BEARING, RADIAL BALL (28X58X16).....	4A 4B 4C 4D	-----	-----		2	91057-HA0-681	2088623
	BEARING, RADIAL BALL (28X58X16) (KOYO).....	4A 4B 4C 4D	-----	-----		2	91057-HA8-004	1974666
19	DUST SEAL (17X23X3)	4A 4B 4C 4D	-----	-----		1	91206-968-003	1513498
20	OIL SEAL (34X58X6)	4A 4B 4C 4D	-----	-----		1	91252-HM7-003	4769394
21	DUST SEAL (41X76X19)	4A 4B 4C 4D	-----	-----		1	91253-HM7-003	4688750
22	O-RING (75X3.2)	4A 4B 4C 4D	-----	-----		1	91320-HM7-702	5043799
23	O-RING (181X3.1)	4A 4B 4C 4D	-----	-----		1	91355-HC4-003	2735371
24	NUT, FLANGE (8MM).....	4A 4B 4C 4D	-----	-----		1	94050-08000	0481143
25	PIN, COTTER (2.5MM).....	4A 4B 4C 4D	-----	-----		2	94201-25200	0058404
	PIN, COTTER (2.5MM).....	4A 4B 4C 4D	-----	-----		2	94201-25250	0145581
	PIN, COTTER (2.5MM).....	4A 4B 4C 4D	-----	-----		2	94201-25300	0156091
26	CIRCLIP (INNER) (58MM)	4A 4B 4C 4D	-----	-----		1	94520-58000	1493709
27	CLIP, TUBE (C6.5).....	4A 4B 4C 4D	-----	-----		1	95002-35000	0165357
28	BULK HOSE, VACUUM (3.5X1000) (3.5X880)	4A 4B 4C 4D	-----	-----		1	95005-35001-30M	5356167
29	JOINT, BRAKE ARM	4A 4B 4C 4D	-----	-----		2	95015-32001	0400945
30	BOLT, FLANGE (8X45)	4A 4B 4C 4D	-----	-----		1	95701-08045-00	2533859

REAR BRAKE PANEL

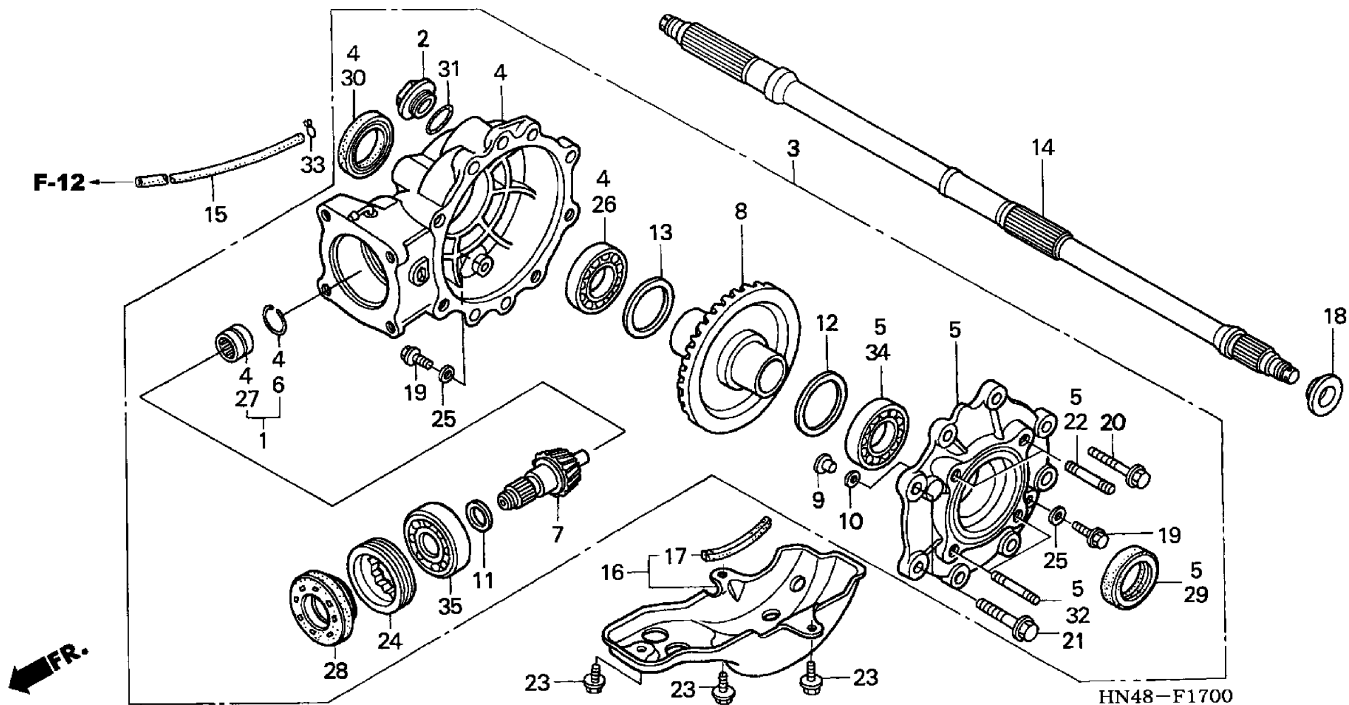
4A=TRX350TM'04
 4B=TRX350TE'04
 4C=TRX350FM'04
 4D=TRX350FE'04

F-16

Frame
Serial Number

Ref	Description	Model	From	To	AREA	QTY	Part Number	H/C
31	BOLT, FLANGE (6X16)	4A 4B 4C 4D	-----	-----		6	96001-06016-07	2532737

FINAL DRIVEN GEAR



HN48F1700

4A=TRX350TM'04
4B=TRX350TE'04
4C=TRX350FM'04
4D=TRX350FE'04

F-17

Frame
Serial Number

Ref	Description	Model	From	To	AREA	QTY	Part Number	H/C
1	BEARING SET, NEEDLE	4A 4B 4C 4D	-----	-----		1	06910-HM7-610	5147905
2	CAP, VALVE ADJ.	4A 4B 4C 4D	-----	-----		1	12361-035-000	0069625
	CAP, VALVE ADJ.	4A 4B 4C 4D	-----	-----		1	12361-300-000	0188870
	CAP, VALVE ADJ.	4A 4B 4C 4D	-----	-----		1	12361-371-980	0454934
3	GEAR ASSY., RR. FINAL.....	4A 4B 4C 4D	-----	-----		1	41300-HN5-670	6250625
4	CASE SET, FINAL	4A 4B 4C 4D	-----	-----		1	41311-HN5-670	6314066
5	COVER SET, GEAR CASE	4A 4B 4C 4D	-----	-----		1	41320-HN5-670	6314074
6	RING, STOPPER	4A 4B 4C 4D	-----	-----		1	41405-HA7-670	2101772
7	GEAR, PINION	4A 4B 4C 4D	-----	-----		1	41421-HN5-670	6314082
8	GEAR, RING	4A 4B 4C 4D	-----	-----		1	41431-HN5-670	6314090
9	PIN, RING GEAR STOPPER	4A 4B 4C 4D	-----	-----		1	41436-MB0-310	1316777
10	SHIM A, STOPPER PIN (0.10).....	4A 4B 4C 4D	-----	-----		AR	41437-MB0-310	1316785
	SHIM B, STOPPER PIN (0.15).....	4A 4B 4C 4D	-----	-----		AR	41438-MB0-310	1316793
11	SHIM A, PINION GEAR	4A 4B 4C 4D	-----	-----		1	41447-HM8-000	5308754
	SHIM B, PINION GEAR	4A 4B 4C 4D	-----	-----		1	41448-HM8-000	5308762
	SHIM C, PINION GEAR	4A 4B 4C 4D	-----	-----		1	41449-HM8-000	5308770
	SHIM D, PINION GEAR	4A 4B 4C 4D	-----	-----		1	41451-HM8-000	5308788
	SHIM E, PINION GEAR	4A 4B 4C 4D	-----	-----		1	41452-HM8-000	5308796

FINAL DRIVEN GEAR

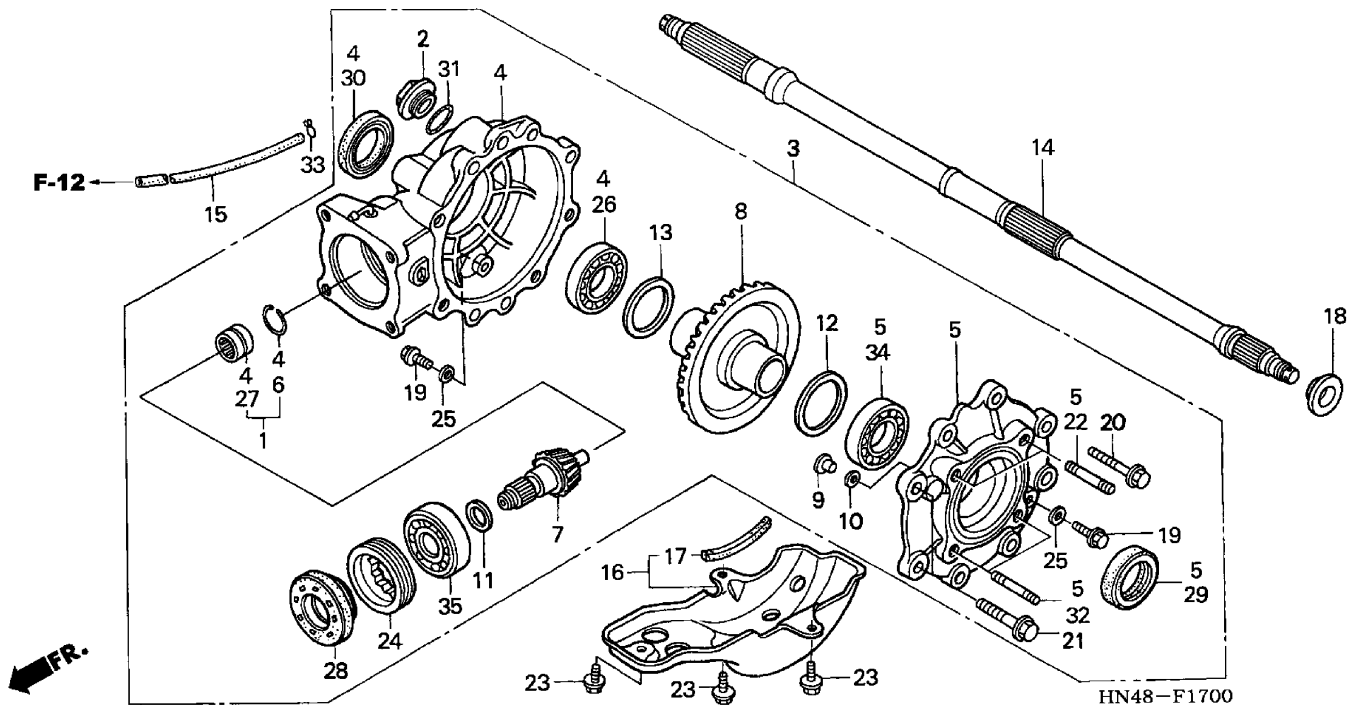
4A=TRX350TM'04
 4B=TRX350TE'04
 4C=TRX350FM'04
 4D=TRX350FE'04

F-17

Frame
Serial Number

Ref	Description	Model	From	To	AREA	QTY	Part Number	H/C
11	SHIM F, PINION GEAR	4A 4B 4C 4D	-----	-----		1	41453-HM8-000	5308804
	SHIM G, PINION GEAR	4A 4B 4C 4D	-----	-----		1	41454-HM8-000	5308812
	SHIM H, PINION GEAR	4A 4B 4C 4D	-----	-----		1	41455-HM8-000	5308820
	SHIM I, PINION GEAR	4A 4B 4C 4D	-----	-----		1	41456-HM8-000	5308838
	SHIM J, PINION GEAR	4A 4B 4C 4D	-----	-----		1	41457-HM8-000	5308846
12	SPACER A, RING GEAR (1.82)	4A 4B 4C 4D	-----	-----		1	41540-HA0-000	1822386
	SPACER B, RING GEAR (1.88)	4A 4B 4C 4D	-----	-----		1	41541-HA0-000	1822394
	SPACER C, RING GEAR (1.94)	4A 4B 4C 4D	-----	-----		1	41542-HA0-000	1822402
	SPACER D, RING GEAR (2.00)	4A 4B 4C 4D	-----	-----		1	41543-HA0-000	1822410
	SPACER E, RING GEAR (2.06)	4A 4B 4C 4D	-----	-----		1	41544-HA0-000	1822428
	SPACER F, RING GEAR (2.12)	4A 4B 4C 4D	-----	-----		1	41545-HA0-000	1822436
	SPACER G, RING GEAR (2.18)	4A 4B 4C 4D	-----	-----		1	41546-HA0-000	1822444
	SPACER H, RING GEAR (2.24)	4A 4B 4C 4D	-----	-----		1	41547-HA0-000	1822451
	SPACER I, RING GEAR (2.30)	4A 4B 4C 4D	-----	-----		1	41548-HA0-000	1822469
13	SPACER A, RING GEAR (1.26)	4A 4B 4C 4D	-----	-----		1	41540-HC4-000	2726313
	SPACER B, RING GEAR (1.32)	4A 4B 4C 4D	-----	-----		1	41541-HC4-000	2726321
	SPACER C, RING GEAR (1.38)	4A 4B 4C 4D	-----	-----		1	41542-HC4-000	2726339
	SPACER D, RING GEAR (1.44)	4A 4B 4C 4D	-----	-----		1	41543-HC4-000	2726347
	SPACER E, RING GEAR (1.50)	4A 4B 4C 4D	-----	-----		1	41544-HC4-000	2726354
	SPACER F, RING GEAR (1.56)	4A 4B 4C 4D	-----	-----		1	41545-HC4-000	2726362
	SPACER G, RING GEAR (1.62)	4A 4B 4C 4D	-----	-----		1	41546-HC4-000	2726370
	SPACER H, RING GEAR (1.68)	4A 4B 4C 4D	-----	-----		1	41547-HC4-000	2726388
	SPACER I, RING GEAR (1.74)	4A 4B 4C 4D	-----	-----		1	41548-HC4-000	2726396
	SPACER J, RING GEAR (1.80)	4A 4B 4C 4D	-----	-----		1	41549-HC4-000	2732147
	SPACER K, RING GEAR (1.86)	4A 4B 4C 4D	-----	-----		1	41550-HC4-000	2732154
14	SHAFT, RR. AXLE	4A 4B 4C 4D	-----	-----		1	42311-HN5-672	7118540
15	TUBE, BREATHER (3.5X1100)	4A 4B	-----	-----		1	44121-HN4-670	6250757
	BULK HOSE, VACUUM (3.5X1000) (3.5X760)	4C 4D	-----	-----		1	95005-35001-30M	5356167
16	PLATE, SKID	4A 4B 4C 4D	-----	-----		1	50355-HN5-670	6250955
17	RUBBER, STOPPER	4A 4B 4C 4D	-----	-----		1	50356-HM7-300	4643813
18	STOPPER, BEARING	4A 4B 4C 4D	-----	-----		1	52112-HA0-000	1823210
19	BOLT, SEALING (8MM)	4A 4B 4C 4D	-----	-----		2	90109-371-000	0417873
20	BOLT, FLANGE (8X27)	4A 4B 4C 4D	-----	-----		6	90133-MB0-000	1251016

FINAL DRIVEN GEAR



HN48F1700

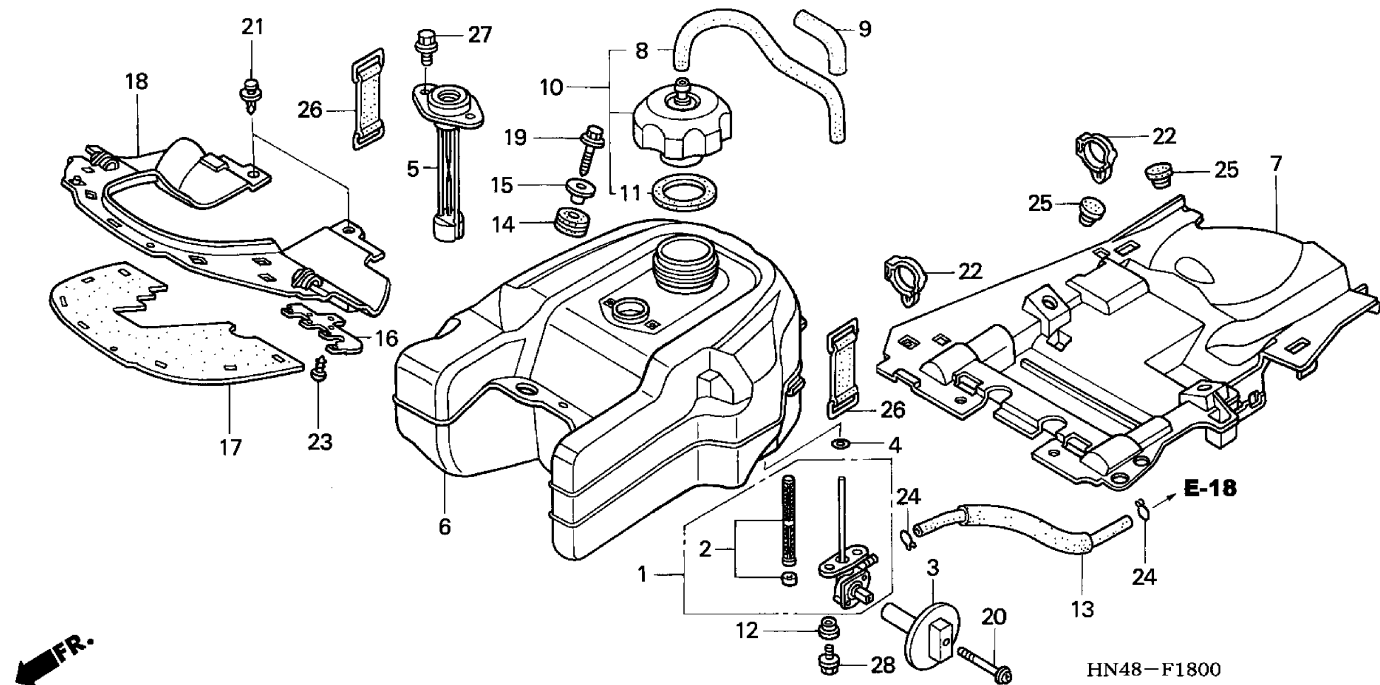
4A=TRX350TM'04
 4B=TRX350TE'04
 4C=TRX350FM'04
 4D=TRX350FE'04

F-17

Frame
 Serial Number

Ref	Description	Model	From	To	AREA	QTY	Part Number	H/C
21	BOLT, FLANGE (10X35)	4A 4B 4C 4D	-----	-----		2	90134-HA0-000	1824358
22	BOLT, STUD (10X22).....	4A 4B 4C 4D	-----	-----		2	90135-HA7-770	2426831
23	BOLT, FLANGE (8X12)	4A 4B 4C 4D	-----	-----		3	90190-MG3-000	1455377
24	NUT, LOCK (64MM).....	4A 4B 4C 4D	-----	-----		1	90242-MB0-000	1243567
25	WASHER (8MM).....	4A 4B 4C 4D	-----	-----		2	90471-580-000	0517144
26	BEARING, RADIAL BALL (43X68X13).....	4A 4B 4C 4D	-----	-----		1	91051-HC4-003	2735108
27	BEARING, NEEDLE (14X24.5X15) (KOYO)	4A 4B 4C 4D	-----	-----		1	91061-HA7-672	2105245
	BEARING, NEEDLE (14X24.5X15)	4A 4B 4C 4D	-----	-----		1	91061-HC4-003	2938991
28	OIL SEAL (34X70X11)	4A 4B 4C 4D	-----	-----		1	91251-HM8-003	5309174
29	OIL SEAL (35X49X6) (ARAI)	4A 4B 4C 4D	-----	-----		1	91252-HA0-003	1973395
	OIL SEAL (35X49X6) (NOK)	4A 4B 4C 4D	-----	-----		1	91252-HA0-004	2427276
30	OIL SEAL (42X51X7)	4A 4B 4C 4D	-----	-----		1	91271-HC4-004	2978484
31	O-RING (30.8MM)	4A 4B 4C 4D	-----	-----		1	91302-001-020	0001065
32	BOLT, STUD (10X28).....	4A 4B 4C 4D	-----	-----		2	92900-10028-0E	6375281
33	CLIP, TUBE (C6.5).....	4A 4B 4C 4D	-----	-----		1	95002-35000	0165357
34	BEARING, RADIAL BALL (6007)	4A 4B 4C 4D	-----	-----		1	96100-60073-00	1825199
35	BEARING, RADIAL BALL (6206)	4A 4B 4C 4D	-----	-----		1	96100-62060-00	0636118

FUEL TANK



HN48F1800

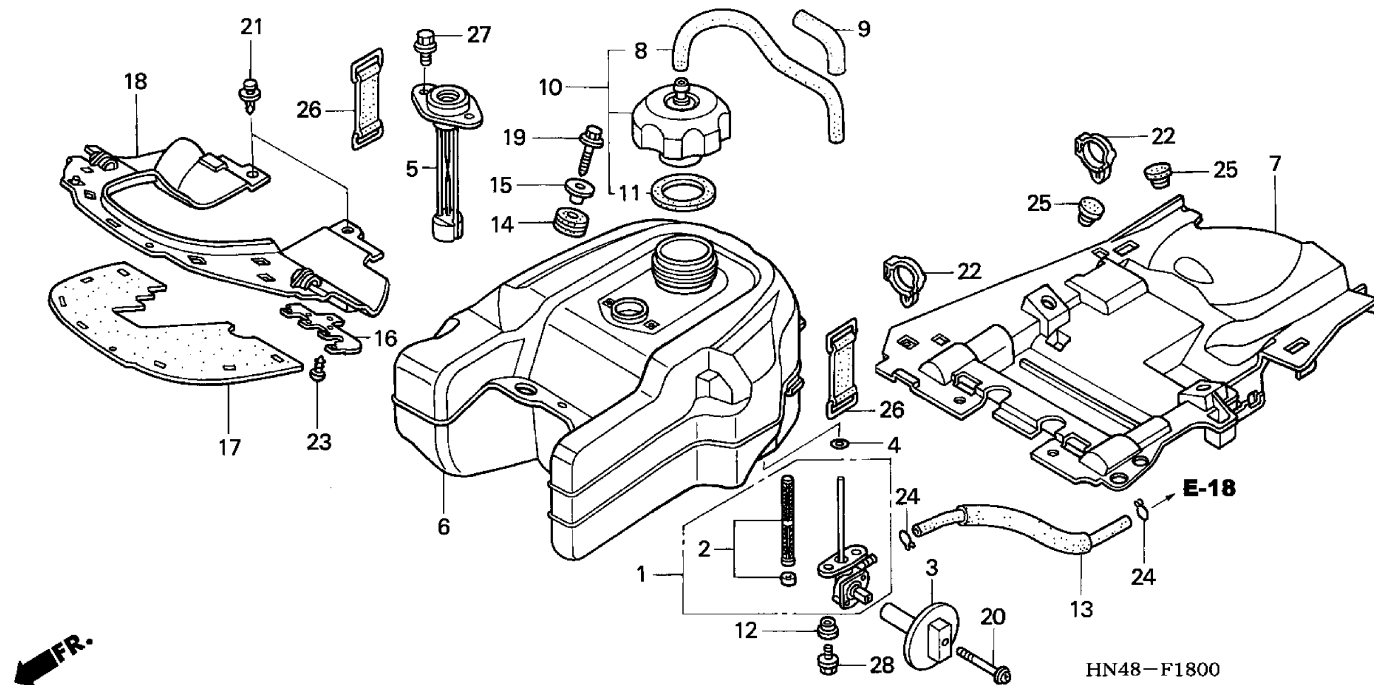
4A=TRX350TM'04
4B=TRX350TE'04
4C=TRX350FM'04
4D=TRX350FE'04

F-18

Frame
Serial Number

Ref	Description	Model	From	To	AREA	QTY	Part Number	H/C
1	PETCOCK ASSY.....	4A 4B 4C 4D	-----	-----		1	16950-HN7-003	7391303
2	SCREEN SET, FUEL STRAINER	4A 4B 4C 4D	-----	-----		1	16952-HN7-003	7391311
3	LEVER, PETCOCK *NH1* (BLACK)	4A 4B 4C 4D	-----	-----		1	16963-HM8-000ZA	5281514
4	O-RING (11.8X3.55).....	4A 4B 4C 4D	-----	-----		1	16997-467-000	0825158
5	METER ASSY., FUEL	4A 4B 4C 4D	-----	-----		1	17504-HN5-671	6313175
6	TANK, FUEL.....	4A 4B 4C 4D	-----	-----		1	17510-HN5-M40	7408156
7	PROTECTOR, TANK HEAT (LOWER)	4A 4B 4C 4D	-----	-----		1	17515-HN5-M40	7410319
8	TUBE, FUEL CAP BREATHER	4A 4B 4C 4D	-----	-----		1	17521-HA2-670	2534352
9	TUBE, FR. FUEL CAP BREATHER.....	4B 4D	-----	-----		1	17522-HN5-A10	6249932
10	CAP ASSY., FUEL TANK.....	4A 4B 4C 4D	-----	-----		1	17620-HF7-000	4067708
11	GASKET, FUEL CAP	4A 4B 4C 4D	-----	-----		1	17624-HF7-000	4067716
12	COLLAR, FUEL TANK SETTING.....	4A 4B 4C 4D	-----	-----		2	17626-467-000	0825232
13	TUBE, FUEL.....	4A 4B 4C 4D	-----	-----		1	17681-HN5-M40	7410459
14	RUBBER, MUFFLER	4A 4B 4C 4D	-----	-----		2	18334-KA3-830	1906635
15	COLLAR, RADIATOR MOUNTING	4A 4B 4C 4D	-----	-----		2	19052-MN8-000	2897270
16	HOLDER, CONNECTOR	4A 4B 4C 4D	-----	-----		1	32328-HN7-000	7341134
17	RUBBER, SNORKEL AIR GUIDE	4A 4B 4C 4D	-----	-----		1	61720-HN7-000	7340078
18	PLATE, SNORKEL AIR GUIDE	4A 4B 4C 4D	-----	-----		1	61725-HN7-000	7340086

FUEL TANK



HN48F1800

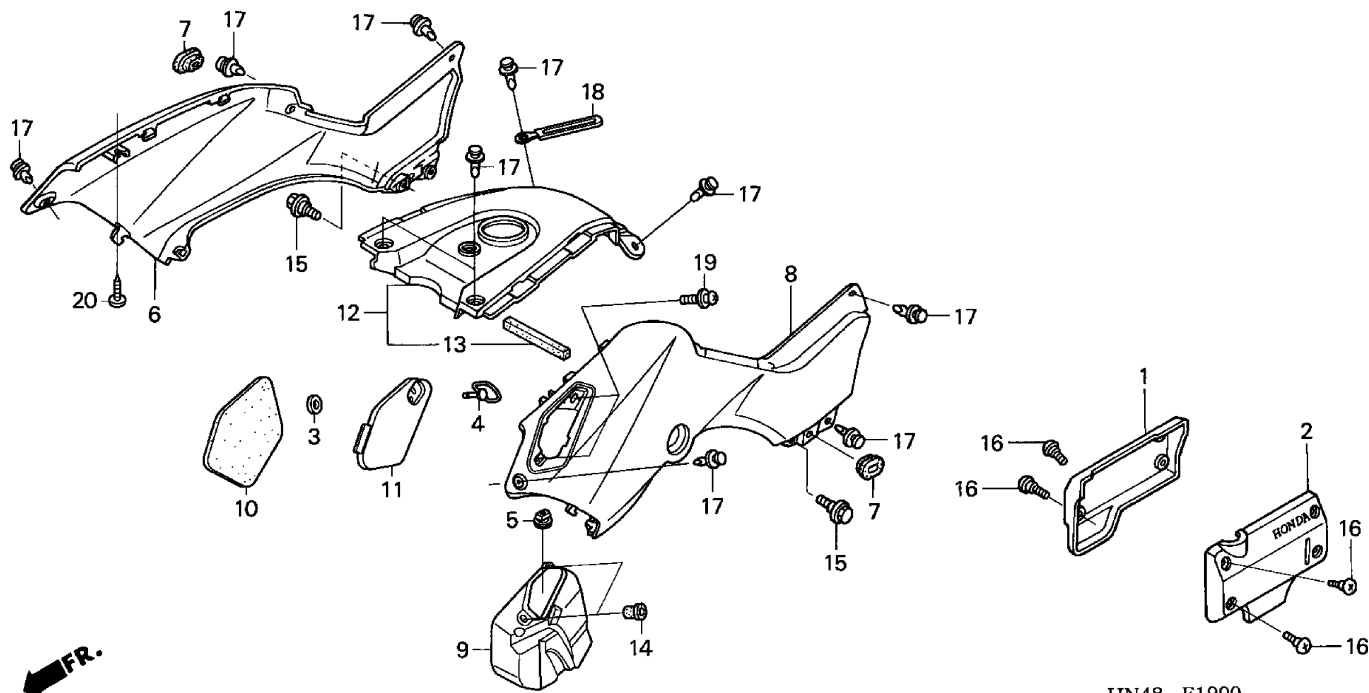
4A=TRX350TM'04
 4B=TRX350TE'04
 4C=TRX350FM'04
 4D=TRX350FE'04

F-18

Frame
 Serial Number

Ref	Description	Model	From	To	AREA	QTY	Part Number	H/C
19	BOLT, SPECIAL (6X32)	4A 4B 4C 4D	-----	-----		2	90101-HM8-000	5309091
20	SCREW-WASHER (5X80)	4A 4B 4C 4D	-----	-----		1	90101-HN7-000	7477870
21	CLIP, MUDGUARD.....	4A 4B 4C 4D	-----	-----		2	90653-HC4-900	3795994
22	CLIP, WIRE HARNESS (BLACK).....	4A 4B 4C 4D	-----	-----		2	91556-SK7-003	3168804
23	SCREW, TAPPING (4X12).....	4A 4B 4C 4D	-----	-----		2	93913-24280	3828316
24	CLIP, TUBE (B12)	4A 4B 4C 4D	-----	-----		2	95002-02120	0335034
25	RUBBER C, STAND STOPPER.....	4A 4B 4C 4D	-----	-----		2	95011-63000	0298919
26	BAND A, BATTERY	4A 4B 4C 4D	-----	-----		2	95012-11001	1314475
27	BOLT, FLANGE (6X12)	4A 4B 4C 4D	-----	-----		2	95701-06012-00	2105799
28	BOLT, FLANGE (6X16)	4A 4B 4C 4D	-----	-----		2	96001-06016-00	2105955

BODY COVER



HN48-F1900

HN48F1900

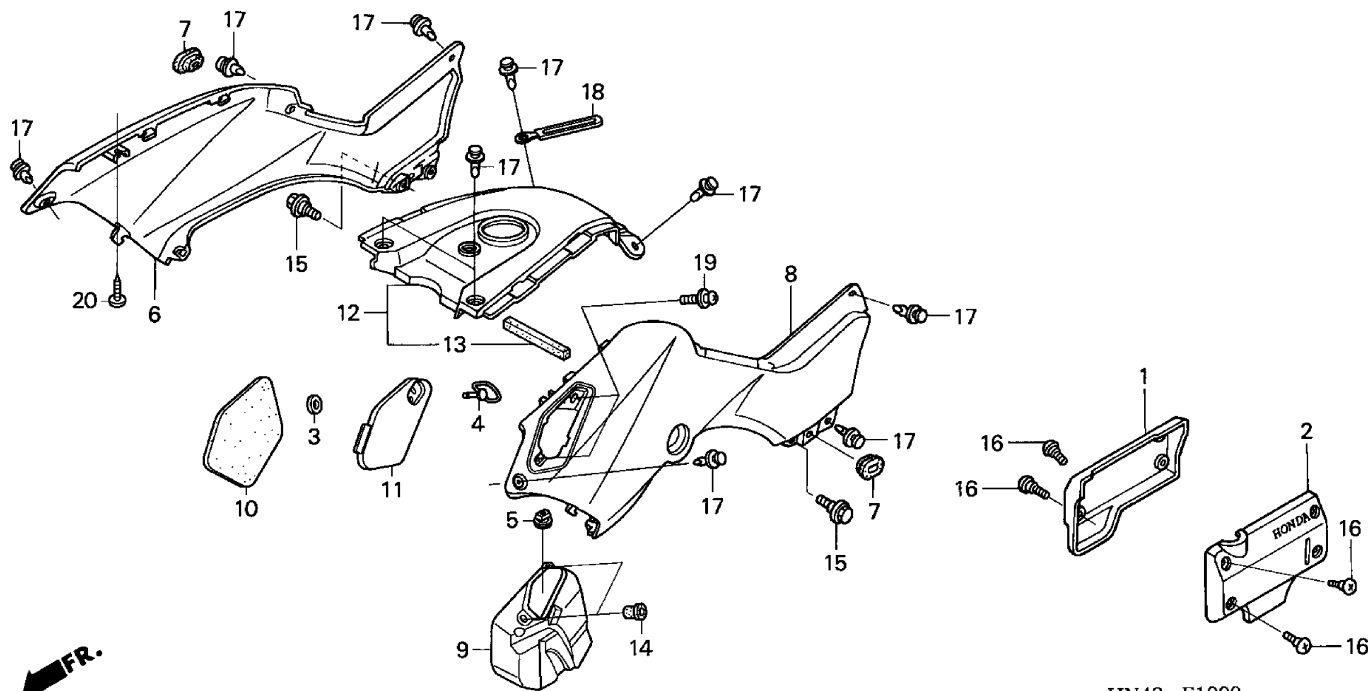
4A=TRX350TM'04
4B=TRX350TE'04
4C=TRX350FM'04
4D=TRX350FE'04

F-19

Frame
Serial Number

Ref	Description	Model	From	To	AREA	QTY	Part Number	H/C
1	COVER, R. ENGINE SIDE	4A 4B 4C 4D	-----	-----		1	11310-HN5-670	6249759
2	COVER, L. ENGINE SIDE	4A 4B 4C 4D	-----	-----		1	11320-HN5-670	6249767
3	WASHER, AIR CLEANER COVER SETTING	4A 4B 4C 4D	-----	-----		1	17224-KN5-670	2003168
4	STUD (6X21)	4A 4B 4C 4D	-----	-----		1	17225-KN5-670	2003176
5	PLUG, FR. FENDER	4A 4B 4C 4D	-----	-----		1	61105-KA8-000	1023811
6	COVER, R. TANK SIDE *G152* (ADVENTURE GREEN)	4A 4B 4C 4D	-----	-----		1	83500-HN7-000ZA	7339559
	COVER, R. TANK SIDE *R232* (PATRIOT RED)	4A 4B 4C 4D	-----	-----		1	83500-HN7-000ZB	7339567
	COVER, R. TANK SIDE *Y151R* (STARBURST YELLOW)	4A 4B 4C 4D	-----	-----		1	83500-HN7-000ZC	7339575
7	GROMMET, AIR CLEANER HOUSING	4A 4B 4C 4D	-----	-----		2	83551-GE2-000	1406164
8	COVER, L. TANK SIDE *G152* (WOL) (ADVENTURE GREEN)	4A 4B 4C 4D	-----	-----		1	83600-HN5-M40ZA	7410335
	COVER, L. TANK SIDE *R232* (WOL) (PATRIOT RED)	4A 4B 4C 4D	-----	-----		1	83600-HN5-M40ZB	7410343
	COVER, L. TANK SIDE *Y151R* (WOL) (STARBURST YELLOW)	4A 4B 4C 4D	-----	-----		1	83600-HN5-M40ZC	7410350
9	BOX, UTILITY	4A 4B 4C 4D	-----	-----		1	83650-HN5-M40	7408222

BODY COVER



HN48-F1900

HN48F1900

4A=TRX350TM'04
4B=TRX350TE'04
4C=TRX350FM'04
4D=TRX350FE'04

F-19

Frame
Serial Number

Ref	Description	Model	From	To	AREA	QTY	Part Number	H/C
10	SEAL, UTILITY BOX LID	4A 4B 4C 4D	-----	-----		1	83660-HN5-M40	7410368
11	LID, UTILITY BOX *G152* (ADVENTURE GREEN)	4A 4B 4C 4D	-----	-----		1	83670-HN5-M40ZA	7410376
	LID, UTILITY BOX *R232* (PATRIOT RED)	4A 4B 4C 4D	-----	-----		1	83670-HN5-M40ZB	7410384
	LID, UTILITY BOX *Y151R* (STARBURST YELLOW)	4A 4B 4C 4D	-----	-----		1	83670-HN5-M40ZC	7410392
12	COVER, FUEL TANK TOP *G152* (ADVENTURE GREEN)	4A 4B 4C 4D	-----	-----		1	83700-HN7-000ZA	7341423
	COVER, FUEL TANK TOP *R232* (PATRIOT RED)	4A 4B 4C 4D	-----	-----		1	83700-HN7-000ZB	7341431
	COVER, FUEL TANK TOP *Y151R* (STARBURST YELLOW)	4A 4B 4C 4D	-----	-----		1	83700-HN7-000ZC	7341449
13	DUST SEAL	4A 4B 4C 4D	-----	-----		1	83701-HN7-300	7477482
14	NUT, COWL SETTING (5MM)	4A 4B 4C 4D	-----	-----		2	90111-KW3-003	2909141
15	BOLT, FLANGE (6MM)	4A 4B 4C 4D	-----	-----		2	90111-187-000	1032069
16	SCREW, PROTECTOR SETTING	4A 4B 4C 4D	-----	-----		8	90114-MG9-770	1532027
17	CLIP, MUDGUARD	4A 4B 4C 4D	-----	-----		10	90653-HC4-900	3795994
18	CLIP, WIRE HARNESS	4A 4B 4C 4D	-----	-----		1	91404-VM6-000	1806959
19	SCREW-WASHER (5X16)	4A 4B 4C 4D	-----	-----		2	93894-05016-07	1251784

BODY COVER

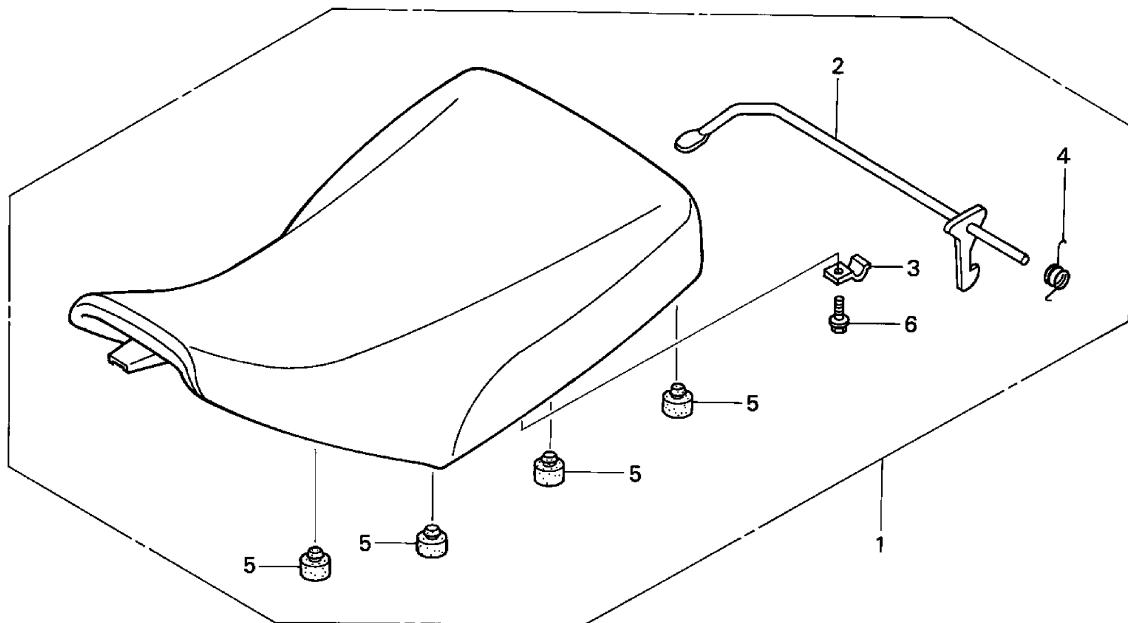
4A=TRX350TM'04
 4B=TRX350TE'04
 4C=TRX350FM'04
 4D=TRX350FE'04

F-19

Frame
Serial Number

Ref	Description	Model	From	To	AREA	QTY	Part Number	H/C
20	SCREW, TAPPING (4X10).....	4A 4B 4C 4D	-----	-----		2	93903-24220	1478114

SEAT



HN74-F2100

HN74F2100

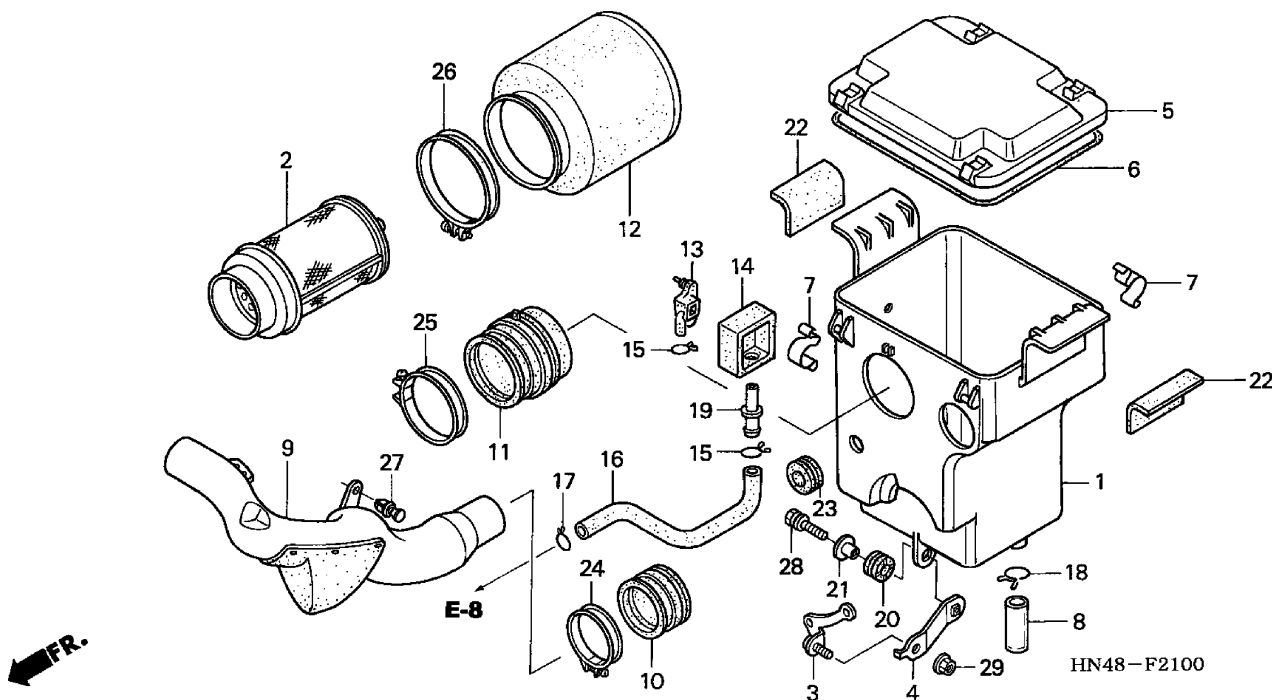
4A=TRX350TM'04
 4B=TRX350TE'04
 4C=TRX350FM'04
 4D=TRX350FE'04

F-20

Frame
 Serial Number

Ref	Description	Model	From	To	AREA	QTY	Part Number	H/C
1	SEAT *NH1* (BLACK)	4A 4B 4C 4D	-----	-----		1	77100-HN7-000ZB	7448624
2	LEVER, SEAT LOCK	4A 4B 4C 4D	-----	-----		1	77105-HN5-670	6252589
3	BRACKET, LOCK LEVER	4A 4B 4C 4D	-----	-----		1	77106-HB3-000	2137214
4	SPRING, SEAT LOCK	4A 4B 4C 4D	-----	-----		1	77107-958-000	0842716
5	RUBBER, SEAT SETTING.....	4A 4B 4C 4D	-----	-----		8	77206-GF0-000	1709773
6	BOLT, FLANGE (6X12)	4A 4B 4C 4D	-----	-----		1	95701-06012-08	2170793

AIR CLEANER



HN48F2100

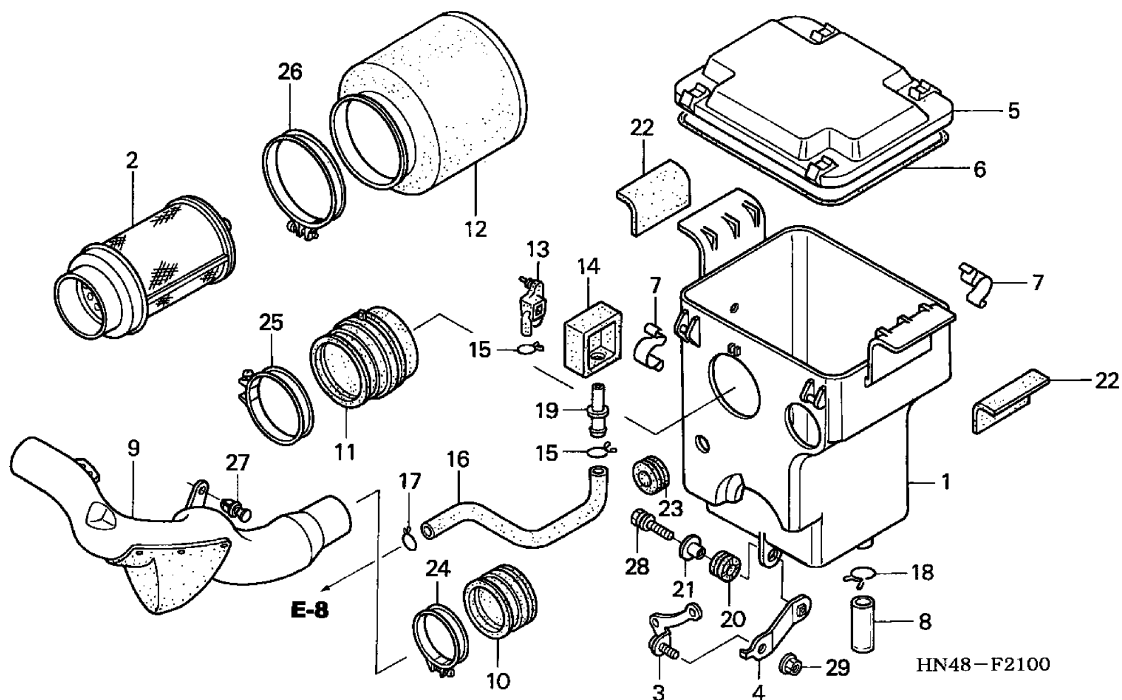
4A=TRX350TM'04
 4B=TRX350TE'04
 4C=TRX350FM'04
 4D=TRX350FE'04

F-21

 Frame
 Serial Number

Ref	Description	Model	From	To	AREA	QTY	Part Number	H/C
1	HOUSING, AIR CLEANER.....	4A 4B 4C 4D	-----	-----		1	17210-HN5-670	6249791
2	BODY, AIR CLEANER	4A 4B 4C 4D	-----	-----		1	17211-HN5-670	6249809
3	STAY A, AIR CLEANER.....	4A 4B 4C 4D	-----	-----		1	17212-HN5-670	6249817
4	STAY B, AIR CLEANER.....	4A 4B 4C 4D	-----	-----		1	17213-HN5-670	6249825
5	LID, AIR CLEANER HOUSING	4A 4B 4C 4D	-----	-----		1	17217-HN5-670	6249833
6	SEAL, AIR CLEANER COVER.....	4A 4B 4C 4D	-----	-----		1	17219-HN5-670	6249841
7	SPRING, AIR CLEANER HOUSING LID	4A 4B 4C 4D	-----	-----		4	17223-HM8-000	5281571
8	TUBE, AIR CLEANER DRAIN	4A 4B 4C 4D	-----	-----		1	17224-HM5-930	5037809
9	DUCT ASSY., SNORKEL	4A 4B 4C 4D	-----	-----		1	17250-HN5-670	6313159
10	SEAL, SNORKEL DUCT	4A 4B 4C 4D	-----	-----		1	17252-HN5-670	6249858
11	TUBE, AIR CLEANER CONNECTING.....	4A 4B 4C 4D	-----	-----		1	17253-HN5-M00	7076045
12	ELEMENT, AIR CLEANER.....	4A 4B 4C 4D	-----	-----		1	17254-HN5-670	6249874
13	JOINT, BREATHER	4A 4B 4C 4D	-----	-----		1	17255-HN5-670	6249882
14	COVER, DUST.....	4A 4B 4C 4D	-----	-----		1	17256-HN5-670	6249890
15	CLIP, BREATHER TUBE	4A 4B 4C 4D	-----	-----		2	17316-611-000	0340984
16	TUBE, BREATHER.....	4A 4B 4C 4D	-----	-----		1	17366-HN5-670	6313167
17	CLIP, SUB-TANK HOSE	4A 4B 4C 4D	-----	-----		1	17724-102-700	0290213
18	CLIP, AIR HOSE (21.5)	4A 4B 4C 4D	-----	-----		1	18532-634-670	0576140

AIR CLEANER



HN48F2100

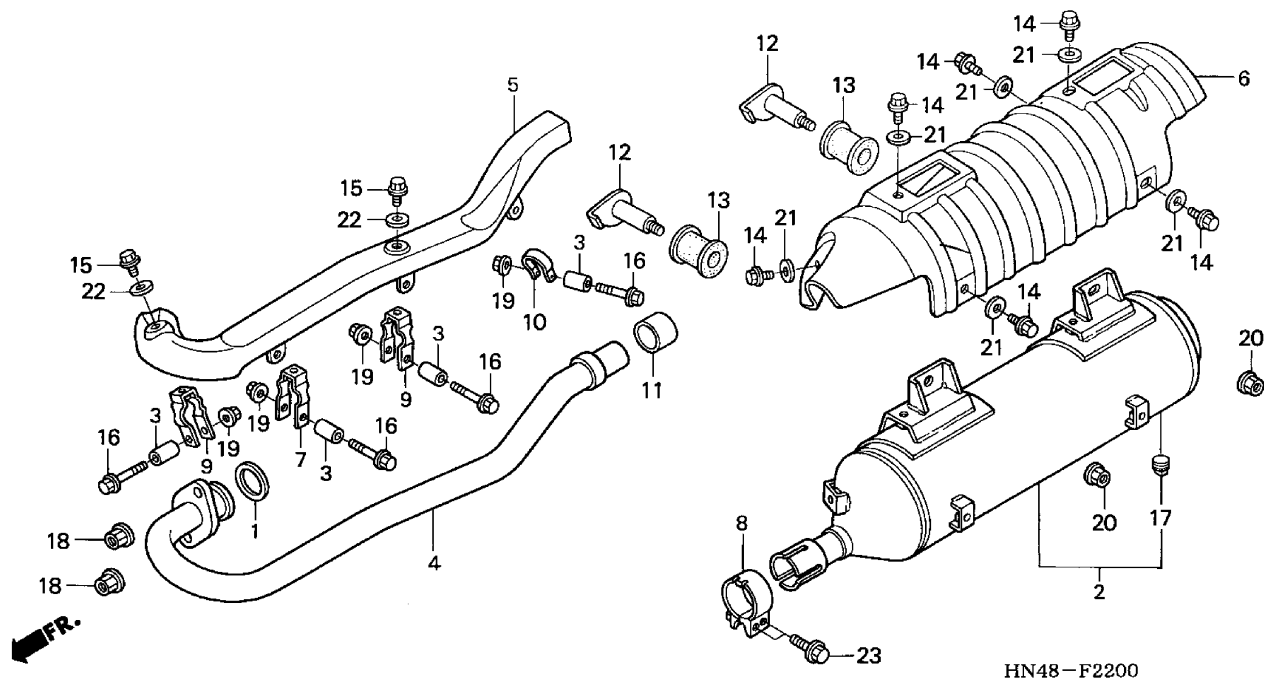
4A=TRX350TM'04
4B=TRX350TE'04
4C=TRX350FM'04
4D=TRX350FE'04

F-21

Frame
Serial Number

Ref	Description	Model	From	To	AREA	QTY	Part Number	H/C
19	JOINT, TWO-WAY	4A 4B 4C 4D	-----	-----		1	18631-MAH-710	5421276
20	RUBBER, RADIATOR MOUNTING	4A 4B 4C 4D	-----	-----		1	19051-KA3-830	1906759
21	COLLAR, RADIATOR MOUNTING	4A 4B 4C 4D	-----	-----		1	19052-MN8-000	2897270
22	RUBBER, BATTERY CUSHION.....	4A 4B 4C 4D	-----	-----		2	31511-KE2-850	6313886
23	GROMMET, RR. FENDER.....	4A 4B 4C 4D	-----	-----		1	80102-KFJ-900	6314363
24	BAND, CONNECTING TUBE (54)	4A 4B 4C 4D	-----	-----		1	90654-HM8-A60	7228653
25	BAND, AIR CONNECTING TUBE (62).....	4A 4B 4C 4D	-----	-----		1	90662-HN5-M00	7228661
26	BAND, AIR CONNECTING TUBE (76).....	4A 4B 4C 4D	-----	-----		1	90676-HN5-M00	7228687
27	CLIP, PANEL FIXING *NH1* (BLACK).....	4A 4B 4C 4D	-----	-----		1	91549-MW0-790ZA	4230462
28	BOLT-WASHER (6X25)	4A 4B 4C 4D	-----	-----		1	93404-06025-00	3473428
29	NUT, FLANGE (6MM).....	4A 4B 4C 4D	-----	-----		1	94050-06000	0471623

MUFFLER



HN48-F2200

HN48F2200

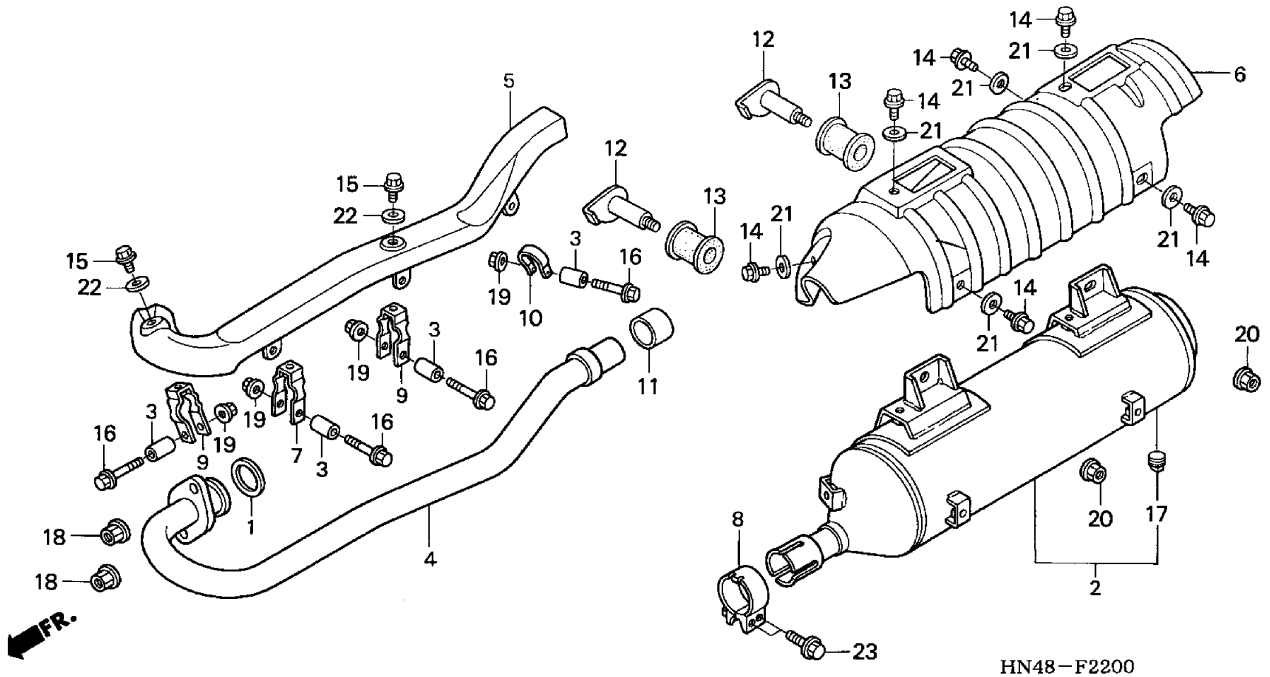
4A=TRX350TM'04
 4B=TRX350TE'04
 4C=TRX350FM'04
 4D=TRX350FE'04

F-22

Frame
 Serial Number

Ref	Description	Model	From	To	AREA	QTY	Part Number	H/C
1	GASKET, EX. PIPE	4A 4B 4C 4D	-----	-----		1	18291-MN4-920	2916997
2	MUFFLER.....	4A 4B 4C 4D	-----	-----		1	18310-HN5-670	6249973
3	COLLAR, MUFFLER BAND	4A 4B 4C 4D	-----	-----		4	18318-HN5-670	6313209
4	PIPE, EX.	4A 4B 4C 4D	-----	-----		1	18320-HN5-670	6249999
5	COVER, EX. PIPE	4A 4B 4C 4D	-----	-----		1	18321-HN5-670	6250005
6	COVER, MUFFLER	4A 4B 4C 4D	-----	-----		1	18324-HN5-M40	7470792
7	BAND A, EX. PIPE COVER	4A 4B 4C 4D	-----	-----		1	18372-HN5-670	6250021
8	BAND, EX. MUFFLER	4A 4B 4C 4D	-----	-----		1	18373-HA0-003	1820372
9	BAND B, EX. PIPE COVER	4A 4B 4C 4D	-----	-----		2	18373-HN5-670	6250039
10	BAND C, EX. PIPE COVER	4A 4B 4C 4D	-----	-----		1	18374-HN5-670	6320246
11	GASKET, MUFFLER	4A 4B 4C 4D	-----	-----		1	18391-ML8-000	2152213
12	BOLT, MUFFLER MOUNTING.....	4A 4B 4C 4D	-----	-----		2	50607-HN5-670	6314306
13	RUBBER, MUFFLER MOUNTING	4A 4B 4C 4D	-----	-----		2	50608-HN5-670	6314314
14	BOLT, FLANGE (6X10)	4A 4B 4C 4D	-----	-----		6	90011-HN0-A00	5750310
15	BOLT, FLANGE (6X10)	4A 4B 4C 4D	-----	-----		2	90011-HN5-670	6314652
16	BOLT, FLANGE (6X40)	4A 4B 4C 4D	-----	-----		4	90012-HN5-670	6314660
17	BOLT, ARRESTER.....	4A 4B 4C 4D	-----	-----		1	90183-HM5-850	5037841
18	NUT, FLANGE (8MM).....	4A 4B 4C 4D	-----	-----		2	90301-HM8-000	5309109

MUFFLER



HN48-F2200

HN48F2200

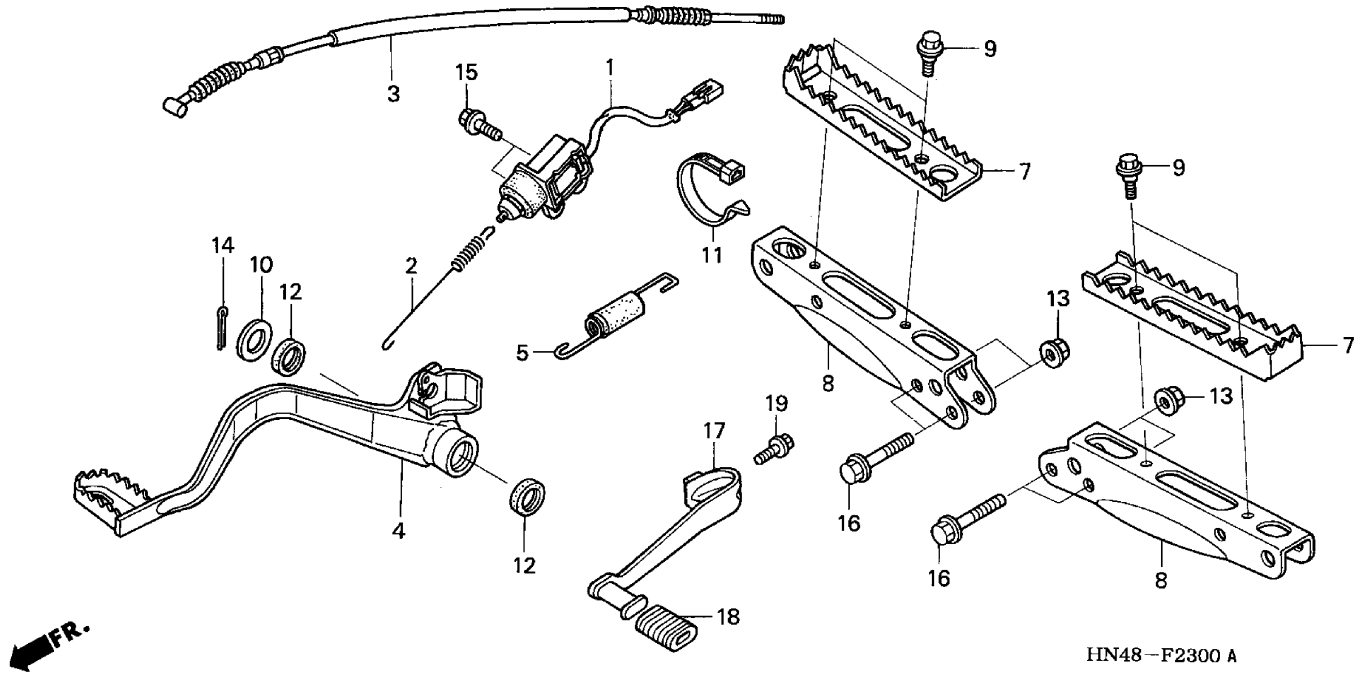
4A=TRX350TM'04
 4B=TRX350TE'04
 4C=TRX350FM'04
 4D=TRX350FE'04

F-22

Frame
 Serial Number

Ref	Description	Model	From	To	AREA	QTY	Part Number	H/C
19	NUT, FLANGE (6MM).....	4A 4B 4C 4D	-----	-----		4	94050-06000	0471623
20	NUT, FLANGE (8MM).....	4A 4B 4C 4D	-----	-----		2	94050-08000	0481143
21	WASHER, PLAIN (6MM)	4A 4B 4C 4D	-----	-----		6	94103-06000	0450122
22	WASHER, PLAIN (6MM)	4A 4B 4C 4D	-----	-----		2	94103-06700	0622324
23	BOLT, FLANGE (8X35)	4A 4B 4C 4D	-----	-----		2	95701-08035-08	2563260

STEP



HN48-F2300 A

HN48F2300A

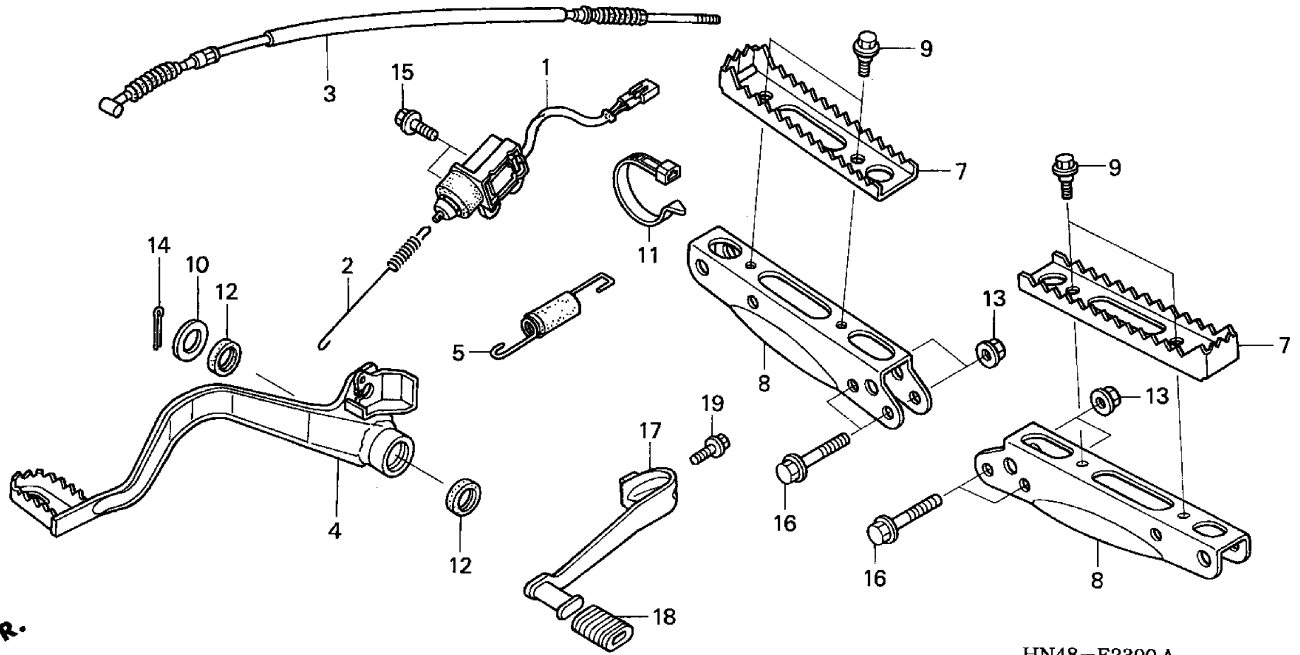
4A=TRX350TM'04
4B=TRX350TE'04
4C=TRX350FM'04
4D=TRX350FE'04

F-23

Frame
Serial Number

Ref	Description	Model	From	To	AREA	QTY	Part Number	H/C
1	SWITCH ASSY., RR. STOP.....	4A 4B 4C 4D	-----	-----		1	35350-HN7-003	7391717
2	SPRING, STOP SWITCH.....	4A 4B 4C 4D	-----	-----		1	35357-HN7-000	7391725
3	CABLE, FOOT BRAKE.....	4A 4B 4C 4D	-----	-----		1	43470-HN5-670	6250740
4	PEDAL, BRAKE	4A 4B 4C 4D	-----	-----		1	46500-HN7-000	7339872
5	SPRING ASSY., RR. BRAKE PEDAL	4A 4B 4C 4D	-----	-----		1	46513-HM7-000	4643722
7	STEP	4A 4C	-----	-----		2	50610-HN5-M40	7419633
	STEP	4B 4D	-----	-----		2	50610-HN2-000	6392187
8	BRACKET, STEP	4A 4B 4C 4D	-----	-----		2	50611-HN8-000	7074263
9	BOLT, FLANGE (6MM).....	4A 4B 4C 4D	-----	-----		4	90111-197-890	3141611
10	WASHER (17.5MM)	4A 4B 4C 4D	-----	-----		1	90512-303-000	0198374
11	BAND, WIRE	4A 4B 4C 4D	-----	-----		1	90651-KV6-003	2576296
12	DUST SEAL (17X23X3)	4A 4B 4C 4D	-----	-----		2	91206-968-003	1513498
	DUST SEAL (17X23X3)	4A 4B 4C 4D	-----	-----		2	91206-968-004	1509124
13	NUT, FLANGE (8MM).....	4A 4B 4C 4D	-----	-----		4	94050-08000	0481143
14	PIN, COTTER (3.0X25)	4A 4B 4C 4D	-----	-----		1	94201-30250	0058420
	PIN, COTTER (3X30).....	4A 4B 4C 4D	-----	-----		1	94201-30300	0058438
	PIN, COTTER (3.0X40)	4A 4B 4C 4D	-----	-----		1	94201-30400	0058446
	PIN, COTTER (3.0X45)	4A 4B 4C 4D	-----	-----		1	94201-30450	0058453

STEP



HN48-F2300 A

HN48F2300A

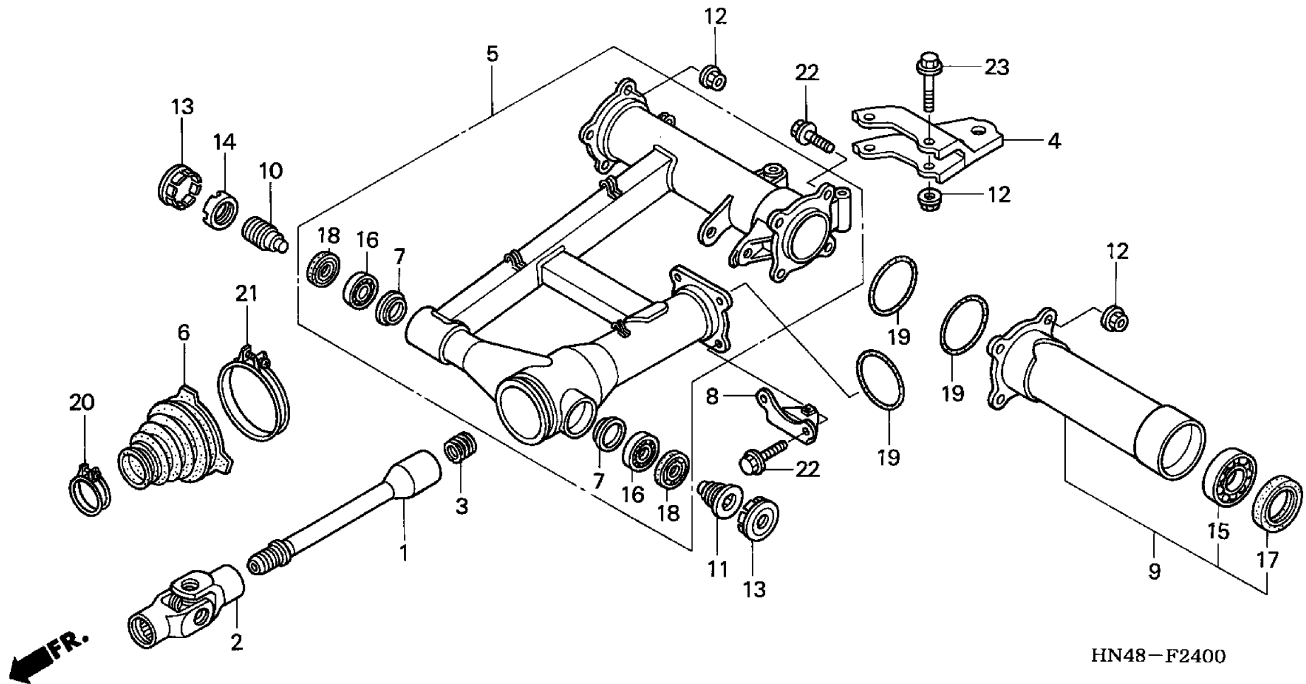
4A=TRX350TM'04
 4B=TRX350TE'04
 4C=TRX350FM'04
 4D=TRX350FE'04

F-23

Frame
 Serial Number

Ref	Description	Model	From	To	AREA	QTY	Part Number	H/C
15	BOLT, FLANGE (6X12)	4A 4B 4C 4D	-----	-----		2	95701-06012-00	2105799
16	BOLT, FLANGE (8X45)	4A 4B 4C 4D	-----	-----		4	95801-08045-00	2754075
17	PEDAL, GEARSHIFT	4A 4C	-----	-----		1	24700-HN5-M40	7542236
18	RUBBER, GEARSHIFT PEDAL	4A 4C	-----	-----		1	24781-371-000	0432153
19	BOLT, FLANGE (6X20)	4A 4C	-----	-----		1	90118-968-000	1550300

SWINGARM



HN48-F2400

HN48F2400

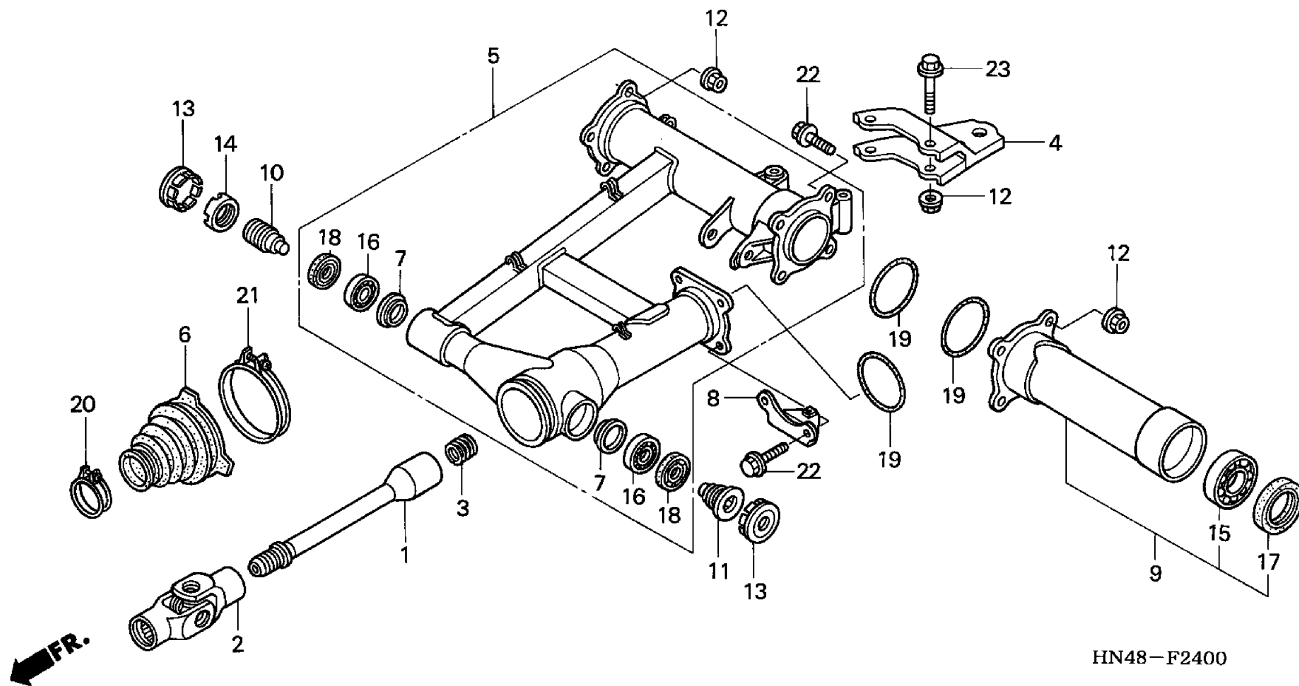
4A=TRX350TM'04
 4B=TRX350TE'04
 4C=TRX350FM'04
 4D=TRX350FE'04

F-24

Frame
 Serial Number

Ref	Description	Model	From	To	AREA	QTY	Part Number	H/C
1	SHAFT, PROPELLER	4A 4B 4C 4D	-----	-----		1	40201-HN5-670	6250591
2	JOINT, YOKE	4A 4B 4C 4D	-----	-----		1	40210-HM5-731	6390058
3	SPRING, PROPELLER SHAFT	4A 4B 4C 4D	-----	-----		1	40215-HN0-671	6984421
4	HITCH, TRAILER	4A 4B 4C 4D	-----	-----		1	50810-HN2-000	6392203
5	SWINGARM ASSY., RR.	4A 4B 4C 4D	-----	-----		1	52100-HN5-670	6251276
6	BOOT, JOINT	4A 4B 4C 4D	-----	-----		1	52101-HN5-670	6251284
7	HOLDER, RR. SWINGARM GREASE	4A 4B 4C 4D	-----	-----		2	52112-MA1-300	1055201
8	STAY, SKID PLATE	4A 4B 4C 4D	-----	-----		1	52190-HN5-670	6251292
9	PIPE ASSY., L. HOUSING	4A 4B 4C 4D	-----	-----		1	52300-HN5-670	6251300
10	BOLT A, PIVOT	4A 4B 4C 4D	-----	-----		1	90121-HM5-930	5037650
11	BOLT B, PIVOT	4A 4B 4C 4D	-----	-----		1	90122-HM5-930	5037668
12	NUT, SELF-LOCK (10MM).....	4A 4B 4C 4D	-----	-----		10	90305-HC0-770	2739530
13	CAP, LOCK NUT	4A 4B 4C 4D	-----	-----		2	90312-HM5-670	4445243
14	NUT, RR. SWINGARM PIVOT	4A 4B 4C 4D	-----	-----		1	90355-469-000	0875401
15	BEARING, RADIAL BALL (32X58X13UU) ..	4A 4B 4C 4D	-----	-----		1	91055-HN5-681	6314793
16	BEARING, ANGULAR (7203).....	4A 4B 4C 4D	-----	-----		2	91066-HC4-004	2939007
17	OIL SEAL (42X58X10)	4A 4B 4C 4D	-----	-----		1	91255-HA0-681	2088672
18	DUST SEAL (26X40X5)	4A 4B 4C 4D	-----	-----		2	91268-HN0-A01	5750534

SWINGARM



HN48F2400

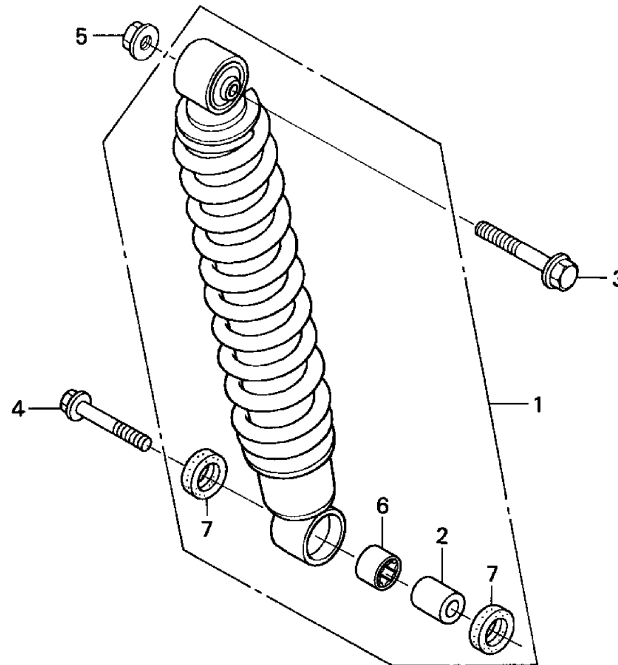
4A=TRX350TM'04
 4B=TRX350TE'04
 4C=TRX350FM'04
 4D=TRX350FE'04

F-24

Frame
Serial Number

Ref	Description	Model	From	To	AREA	QTY	Part Number	H/C
19	O-RING (75X3.2)	4A 4B 4C 4D	-----	-----		3	91320-HM7-702	5043799
20	BAND, AIR CLEANER CONNECTING TUBE (48).....	4A 4B 4C 4D	-----	-----		1	95018-48250	6314934
21	BAND, AIR CLEANER CONNECTING TUBE (90).....	4A 4B 4C 4D	-----	-----		1	95018-90320	5944392
22	BOLT, FLANGE (10X25)	4A 4B 4C 4D	-----	-----		8	95701-10025-00	2774453
23	BOLT, FLANGE (10X60)	4A 4B 4C 4D	-----	-----		2	95801-10060-00	2552644

REAR SHOCK ABSORBER



HN48-F2500

HN48F2500

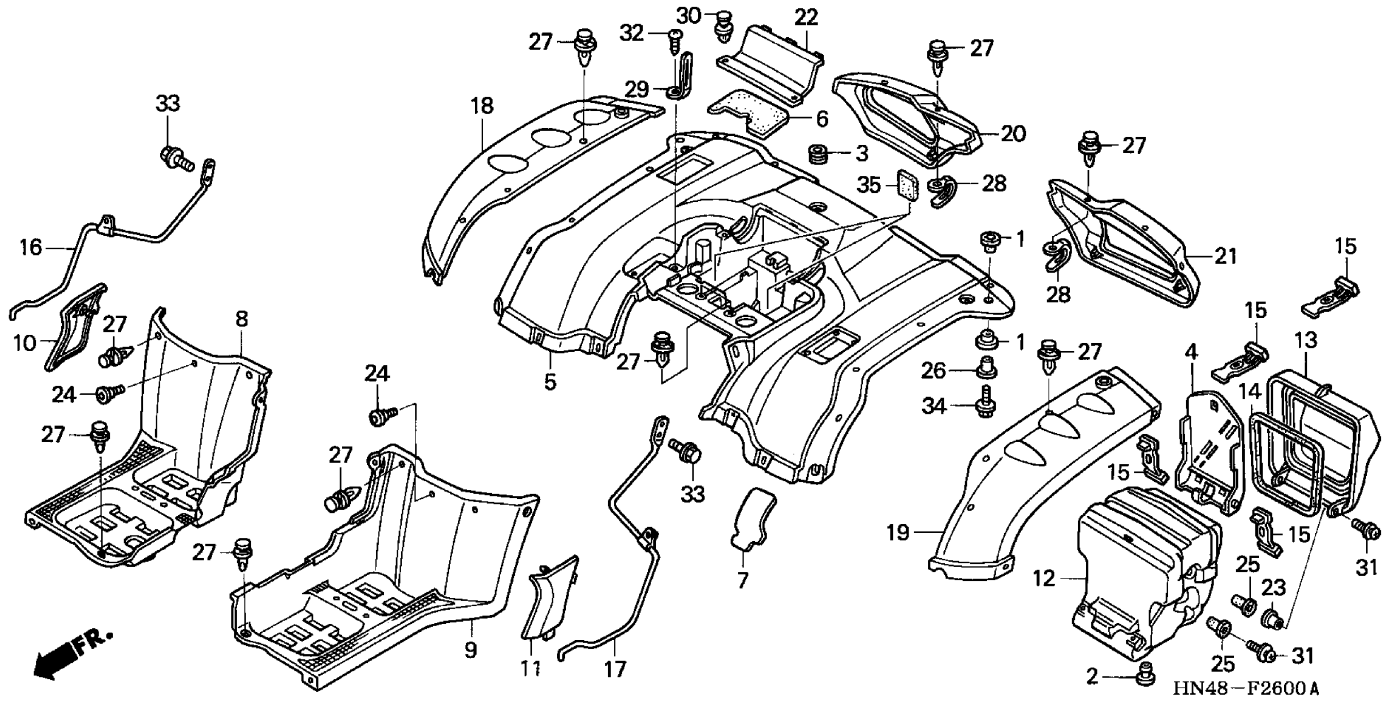
4A=TRX350TM'04
4B=TRX350TE'04
4C=TRX350FM'04
4D=TRX350FE'04

F-25

Frame
Serial Number

Ref	Description	Model	From	To	AREA	QTY	Part Number	H/C
1	SHOCK ABSORBER ASSY., RR.	4A 4B	-----	-----		1	52400-HN4-M01	7450349
	SHOCK ABSORBER ASSY., RR.	4C 4D	-----	-----		1	52400-HN5-M41	7450356
2	COLLAR, RR. SHOCK ABSORBER (LOWER)	4A 4B 4C 4D	-----	-----		1	52486-HN5-670	6252084
3	BOLT, FLANGE (10X55)	4A 4B 4C 4D	-----	-----		1	90120-HC4-000	2817401
4	BOLT, FLANGE (10X50)	4A 4B 4C 4D	-----	-----		1	90120-HN7-000	7391881
5	NUT, SELF-LOCK (10MM).....	4A 4B 4C 4D	-----	-----		1	90305-HC0-770	2739530
6	BEARING, NEEDLE (20X26X20).....	4A 4B 4C 4D	-----	-----		1	91072-MY1-005	4774501
7	DUST SEAL (20X26X4.5) (ARAI).....	4A 4B 4C 4D	-----	-----		2	91254-KS6-003	2159713

REAR FENDER



HN48F2600A

4A=TRX350TM'04
4B=TRX350TE'04
4C=TRX350FM'04
4D=TRX350FE'04

F-26

Frame
Serial Number

Ref	Description	Model	From	To	AREA	QTY	Part Number	H/C
1	RUBBER, TAILLIGHT SETTING	4A 4B 4C 4D	-----	-----		4	33718-GE2-690	2492247
2	PLUG, HEAD PIPE.....	4A 4B 4C 4D	-----	-----		1	50049-046-000	0203133
3	RUBBER, FR. FENDER SETTING.....	4A 4B 4C 4D	-----	-----		1	61103-HM5-850	4735148
4	TRAY, OWNER'S MANUAL	4A 4B 4C 4D	-----	-----		1	77110-HN7-010	7474687
5	FENDER, RR. *G152* (ADVENTURE GREEN)	4A 4B	-----	-----		1	80100-HN4-M00ZA	7448632
	FENDER, RR. *R232* (PATRIOT RED).....	4A 4B	-----	-----		1	80100-HN4-M00ZB	7448640
	FENDER, RR. *Y151R* (STARBURST YELLOW)	4A 4B	-----	-----		1	80100-HN4-M00ZC	7448657
	FENDER, RR. *G152* (ADVENTURE GREEN)	4C 4D	-----	-----		1	80100-HN7-000ZA	7341324
	FENDER, RR. *R232* (PATRIOT RED).....	4C 4D	-----	-----		1	80100-HN7-000ZB	7341332
	FENDER, RR. *Y151R* (STARBURST YELLOW)	4C 4D	-----	-----		1	80100-HN7-000ZC	7341340
6	RUBBER, BATTERY MOUNTING	4A 4B 4C 4D	-----	-----		1	80102-HN5-670	6252613
7	MAT A, RR. FENDER.....	4A 4B 4C 4D	-----	-----		1	80102-HN7-000	7339765
8	MUDGUARD, R. CENTER *NH1* (BLACK)	4A 4B 4C 4D	-----	-----		1	80121-HN5-M50ZA	7410327
9	MUDGUARD, L. CENTER *NH1* (BLACK)	4A 4C	-----	-----		1	80122-HN5-M40ZA	7448715
	MUDGUARD, L. CENTER *NH1* (BLACK)	4B 4D	-----	-----		1	80122-HN7-000ZA	7339518

REAR FENDER

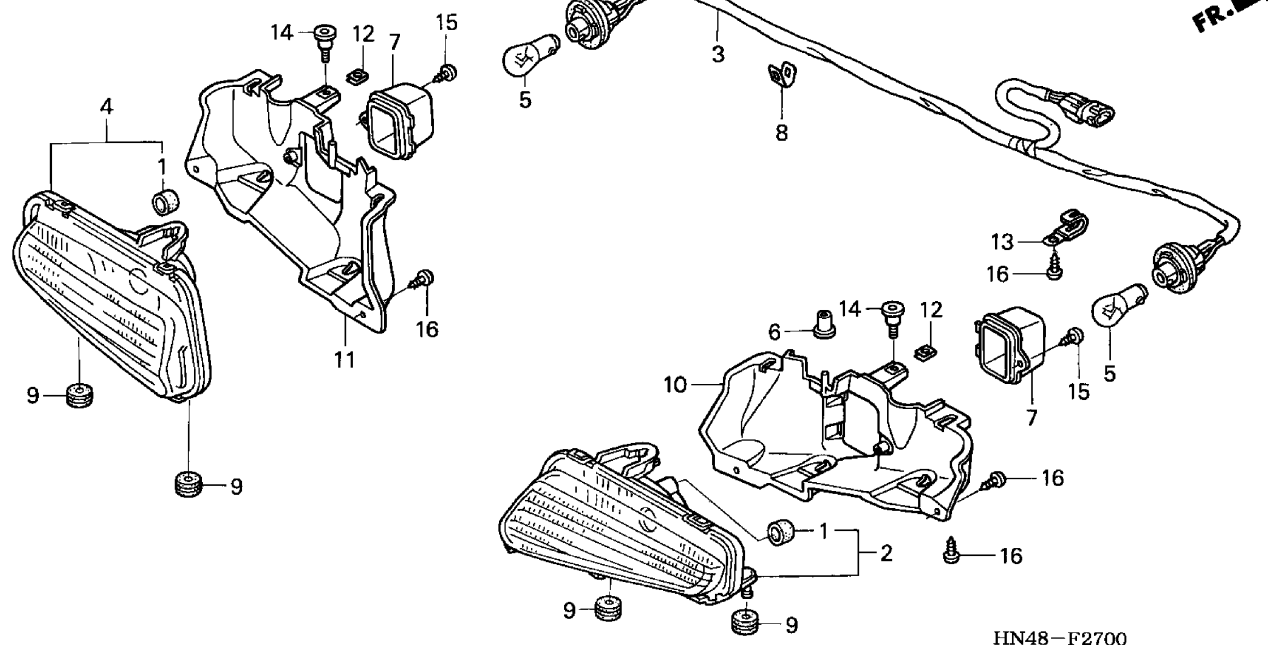
4A=TRX350TM'04
 4B=TRX350TE'04
 4C=TRX350FM'04
 4D=TRX350FE'04

F-26

Frame
Serial Number

Ref	Description	Model	From	To	AREA	QTY	Part Number	H/C
10	COVER, R. CARBURETOR SIDE *NH1* (BLACK)	4A 4B 4C 4D	-----	-----		1	80125-HN7-000ZA	7339906
11	COVER, L. CARBURETOR SIDE *NH1* (BLACK)	4B 4D	-----	-----		1	80126-HN7-000ZA	7339914
12	BOX, TOOL	4A 4B 4C 4D	-----	-----		1	80210-HN7-010	7475254
13	LID, TOOL BOX *NH1* (BLACK)	4A 4B 4C 4D	-----	-----		1	80211-HN7-000ZA	7339351
14	SEAL, TOOL BOX	4A 4B 4C 4D	-----	-----		1	80212-HN7-000	7391832
15	BAND, TOOL BOX	4A 4B 4C 4D	-----	-----		4	80214-HM5-850	4735247
16	STAY, R. RR. FENDER	4A 4B 4C 4D	-----	-----		1	80217-HN7-000	7341514
17	STAY, L. RR. FENDER	4A 4B 4C 4D	-----	-----		1	80218-HN7-000	7341522
18	MUDGUARD, R. RR. SIDE *NH1* (BLACK)	4A 4B 4C 4D	-----	-----		1	80220-HN7-000ZA	7340136
19	MUDGUARD, L. RR. SIDE *NH1* (BLACK)	4A 4B 4C 4D	-----	-----		1	80221-HN7-000ZA	7340144
20	MUDGUARD, R. RR. *NH1* (BLACK)	4A 4B 4C 4D	-----	-----		1	80250-HN7-000ZA	7339526
21	MUDGUARD, L. RR. *NH1* (BLACK)	4A 4B 4C 4D	-----	-----		1	80251-HN7-000ZA	7339534
22	LID, RR. FENDER *G152* (ADVENTURE GREEN)	4A 4B 4C 4D	-----	-----		1	80311-HN7-000ZA	7339948
	LID, RR. FENDER *R232* (PATRIOT RED)	4A 4B 4C 4D	-----	-----		1	80311-HN7-000ZB	7339955
	LID, RR. FENDER *Y151R* (STARBURST YELLOW)	4A 4B 4C 4D	-----	-----		1	80311-HN7-000ZC	7339963
23	COLLAR, LOCK SETTING	4A 4B 4C 4D	-----	-----		2	83119-MG9-000	1530849
24	SCREW, SPECIAL (6X8)	4A 4B 4C 4D	-----	-----		4	90102-HN5-670	6314686
25	NUT, COWL SETTING (5MM)	4A 4B 4C 4D	-----	-----		4	90111-KW3-003	2909141
26	COLLAR (6.3X13.5)	4A 4B 4C 4D	-----	-----		2	90503-KE1-000	2737542
27	CLIP, MUDGUARD.....	4A 4B 4C 4D	-----	-----		26	90653-HC4-900	3795994
28	CLIP, WIRE HARNESS	4A 4B 4C 4D	-----	-----		2	91405-MG1-000	1314707
29	CLIP (4X60)	4A 4B 4C 4D	-----	-----		1	91410-KT7-000	2577054
30	CLIP, PANEL FIXING *NH1* (BLACK).....	4A 4B 4C 4D	-----	-----		2	91549-MW0-790ZA	4230462
31	SCREW-WASHER (5X20)	4A 4B 4C 4D	-----	-----		4	93894-05020-08	0995936
32	SCREW, TAPPING (5X12).....	4A 4B 4C 4D	-----	-----		1	93903-25220	1642495
33	BOLT, FLANGE (6X12)	4A 4B 4C 4D	-----	-----		2	95701-06012-00	2105799
34	BOLT, FLANGE (6X22)	4A 4B 4C 4D	-----	-----		2	95701-06022-00	2105823
35	RUBBER, TANK SETTING.....	4A 4C	-----	-----		2	17513-HC0-300	2515989

TAILLIGHT



HN48F2700

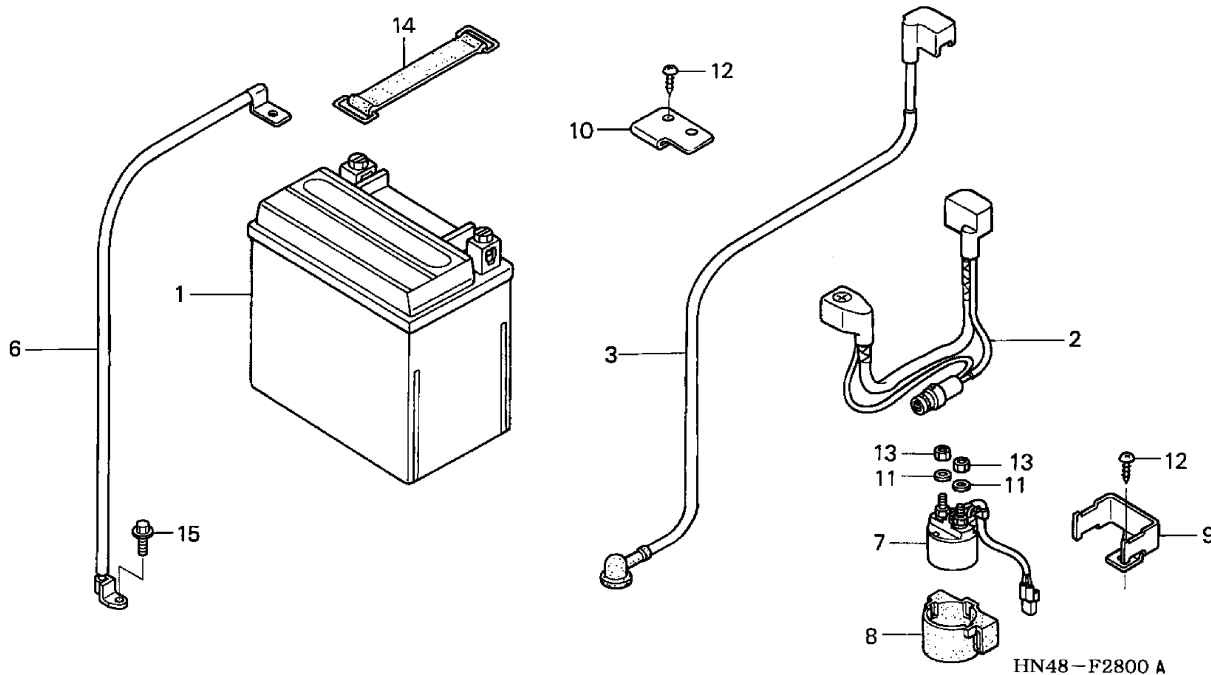
4A=TRX350TM'04
 4B=TRX350TE'04
 4C=TRX350FM'04
 4D=TRX350FE'04

F-27

Frame
 Serial Number

Ref	Description	Model	From	To	AREA	QTY	Part Number	H/C
1	PIPE, CP	4A 4B 4C 4D	-----	-----		2	33113-MBW-D21	6648687
2	LENS, R. TAILLIGHT	4A 4B 4C 4D	-----	-----		1	33710-HN8-003	7213093
3	SOCKET, TAILLIGHT	4A 4B 4C 4D	-----	-----		1	33720-HN7-000	7339252
4	LENS, L. TAILLIGHT	4A 4B 4C 4D	-----	-----		1	33760-HN8-003	7213119
5	BULB, TAILLIGHT (12V21/5W) (HD) (STANLEY).....	4A 4B 4C 4D	-----	-----		2	34906-447-711	1669340
6	BOOT, HEADLIGHT BRACKET	4A 4B 4C 4D	-----	-----		2	61312-149-300	0460485
7	CAP, HEADLIGHT TAIL	4A 4B 4C 4D	-----	-----		2	66303-HM7-000	4644183
8	CLAMP, WIRE HARNESS	4A 4B 4C 4D	-----	-----		1	80106-HB7-000	2264489
9	RUBBER, TAILLIGHT MOUNTING	4A 4B 4C 4D	-----	-----		4	80219-HC4-000	2728251
10	COVER, R. TAILLIGHT	4A 4B 4C 4D	-----	-----		1	80230-HN7-000	7339922
11	COVER, L. TAILLIGHT.....	4A 4B 4C 4D	-----	-----		1	80231-HN7-000	7339930
12	NUT, FENDER SETTING	4A 4B 4C 4D	-----	-----		2	84601-HC4-000	2734440
13	CLIP, TUBE	4A 4B 4C 4D	-----	-----		1	90010-GEO-710	1914621
14	SCREW, SPECIAL (6X8)	4A 4B 4C 4D	-----	-----		2	90102-HN5-670	6314686
15	SCREW, TAPPING (4X16).....	4A 4B 4C 4D	-----	-----		2	93903-24420	0995944
16	SCREW, TAPPING (5X12).....	4A 4B 4C 4D	-----	-----		9	93903-25220	1642495

BATTERY



HN48F2800A

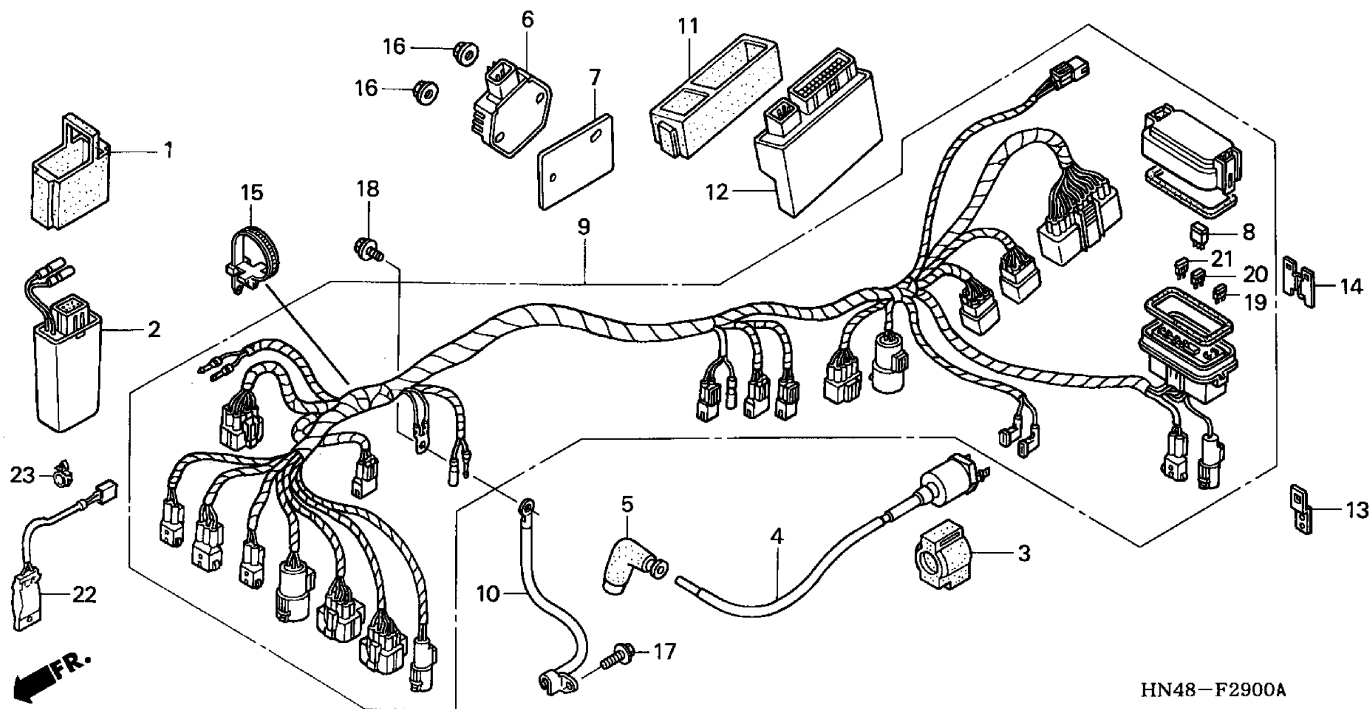
4A=TRX350TM'04
4B=TRX350TE'04
4C=TRX350FM'04
4D=TRX350FE'04

F-28

Frame
Serial Number

Ref	Description	Model	From	To	AREA	QTY	Part Number	H/C
1	BATTERY (YTX14-BS) (YUASA)	4A 4B 4C 4D	-----	-----		1	31500-HC4-726	5897061
2	CABLE, RELAY BATTERY.....	4A 4C	-----	-----		1	32401-HN5-M40	7419641
	CABLE, RELAY BATTERY.....	4B 4D	-----	-----		1	32401-HN7-000	7339427
3	CABLE, STARTER MOTOR.....	4A 4B 4C 4D	-----	-----		1	32405-HN5-671	7471857
6	CABLE, BATTERY GROUND	4A 4B 4C 4D	-----	-----		1	32601-HN5-M40	7410517
7	SWITCH ASSY., STARTER MAGNETIC	4A 4B 4C 4D	-----	-----		1	35850-HN7-003	7402845
8	RUBBER, MAGNETIC SHOCK	4A 4B 4C 4D	-----	-----		1	35856-425-000	0718155
9	STAY, STARTER MAGNETIC	4A 4B 4C 4D	-----	-----		1	50326-HC4-000	2727097
10	HOOK, BATTERY.....	4A 4B 4C 4D	-----	-----		1	80101-HN7-000	7339880
11	WASHER, SPRING (6MM).....	4A 4B 4C 4D	-----	-----		2	90052-ZA0-800	1310549
12	SCREW, TAPPING (5X12).....	4A 4B 4C 4D	-----	-----		2	93903-25220	1642495
13	NUT, HEX. (6MM).....	4A 4B 4C 4D	-----	-----		2	94002-06390-0S	2088722
14	BAND F, BATTERY	4A 4B 4C 4D	-----	-----		1	95012-17001	1303544
15	BOLT, FLANGE (6X14)	4A 4B 4C 4D	-----	-----		1	95701-06014-00	2410884

WIRE HARNESS



HN48-F2900A

HN48F2900A

4A=TRX350TM'04
4B=TRX350TE'04
4C=TRX350FM'04
4D=TRX350FE'04

F-29

Frame
Serial Number

Ref	Description	Model	From	To	AREA	QTY	Part Number	H/C
1	CUSHION, IGNITION CONTROL MODULE	4A 4B 4C 4D	-----	-----		1	30401-HM5-A10	5385174
2	MODULE, IGNITION CONTROL DIGITAL (CDI)(DC)	4A	-----	-----		1	30410-HN4-671	6472872
	MODULE, IGNITION CONTROL DIGITAL (CDI)(DC)	4B 4C 4D	-----	-----		1	30410-HN5-671	6384879
3	SUSPENSION, IGNITION COIL.....	4A 4B 4C 4D	-----	-----		1	30506-KV3-771	3306503
4	COIL, IGNITION	4A 4B 4C 4D	-----	-----		1	30510-HN5-670	6313837
5	CAP ASSY., NOISE SUPPRESSOR	4A 4B 4C 4D	-----	-----		1	30700-MA0-163	3856598
	CAP ASSY., NOISE SUPPRESSOR	4A 4B 4C 4D	-----	-----		1	30700-965-013	3522083
6	RECTIFIER ASSY., REGULATOR.....	4A 4B 4C 4D	-----	-----		1	31600-HN5-M40	7410582
7	PLATE, REGULATE RECTIFIER.....	4A 4B 4C 4D	-----	-----		1	31601-HN5-M40	7470933
8	DIODE ASSY., THREE-WAY	4A 4B 4C 4D	-----	-----		1	31730-MAS-601	4936522
9	WIRE HARNESS	4A	-----	-----		1	32100-HN4-M01	7541857
	WIRE HARNESS	4B 4D	-----	-----		1	32100-HN5-M50	7410293
	WIRE HARNESS	4C	-----	-----		1	32100-HN5-M41	7541865
10	CABLE, FRAME GROUND	4A 4B 4C 4D	-----	-----		1	32603-HN5-M40	7410525
11	SUSPENSION, CONTROL UNIT.....	4B 4D	-----	-----		1	38901-HN5-A10	6314033
12	CONTROL UNIT, CHANGE	4B 4D	-----	-----		1	38910-HN5-M11	7076219

WIRE HARNESS

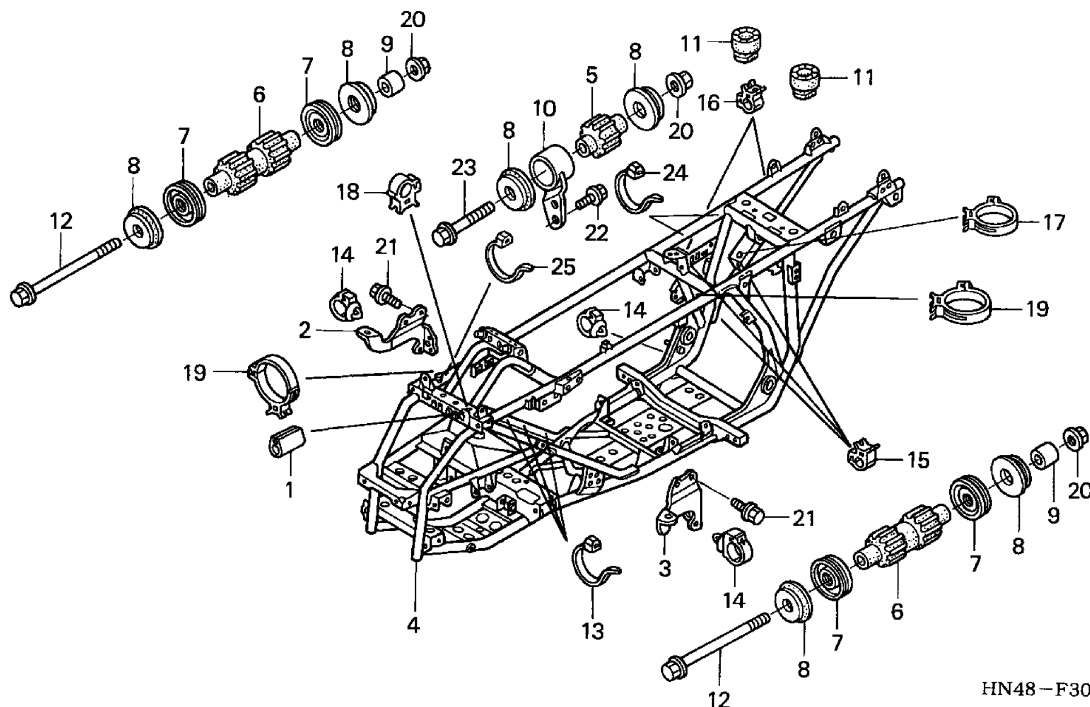
4A=TRX350TM'04
 4B=TRX350TE'04
 4C=TRX350FM'04
 4D=TRX350FE'04

F-29

Frame
Serial Number

Ref	Description	Model	From	To	AREA	QTY	Part Number	H/C
13	STAY A, CONNECTOR	4A 4B 4C 4D	-----	-----		1	50327-HN5-670	6250922
14	STAY, FUSE CONNECTOR.....	4A 4B 4C 4D	-----	-----		1	50328-HN2-000	6392112
15	BAND, WIRE HARNESS (WHITE).....	4A 4B 4C 4D	-----	-----		1	90649-SC2-003	2514552
16	NUT, FLANGE (6MM).....	4A 4B 4C 4D	-----	-----		2	94050-06000	0471623
17	BOLT, FLANGE (6X16)	4A 4B 4C 4D	-----	-----		1	95701-06016-00	2410892
18	BOLT, FLANGE (6X10)	4A 4B 4C 4D	-----	-----		1	96001-06010-00	2154656
19	FUSE F (10A) (MINI)	4A 4B 4C 4D	-----	-----		3	98200-41000	4853420
20	FUSE F (15A) (MINI)	4A 4B 4C 4D	-----	-----		3	98200-41500	4853438
21	FUSE, BLADE (30A).....	4B 4D	-----	-----		3	98200-43000	5359666
		4A 4C	-----	-----		2	98200-43000	5359666
22	SWITCH ASSY., THERMOSTAT	4A	-----	-----		1	35250-HN4-670	6373781
23	CLIP, WASHER MOUTH	4A	-----	-----		1	91504-SD5-901	3557162

FRAME



HN48-F3000A

HN48F3000A

4A=TRX350TM'04
4B=TRX350TE'04
4C=TRX350FM'04
4D=TRX350FE'04

F-30

Frame
Serial Number

Ref	Description	Model	From	To	AREA	QTY	Part Number	H/C
1	TRIM, FUEL TANK	4A 4B 4C 4D	-----	-----		1	17516-HC4-000	2731008
2	STAY, R. OIL COOLER	4A 4B 4C 4D	-----	-----		1	19018-HN5-670	6250047
3	STAY, L. OIL COOLER	4A 4B 4C 4D	-----	-----		1	19019-HN5-670	6250054
4	FRAME	4A 4B 4C 4D	-----	-----		1	50100-HN5-M40	7408172
5	RUBBER, ENGINE HEAD MOUNTING	4A 4B 4C 4D	-----	-----		1	50201-HN5-670	6314298
6	RUBBER, ENGINE MOUNTING (LOWER)	4A 4B 4C 4D	-----	-----		2	50202-HM8-003	5308929
7	DUST SEAL, ENGINE MOUNTING	4A 4B 4C 4D	-----	-----		4	50203-HM7-003	4688214
8	RUBBER C, MOUNTING	4A 4B 4C 4D	-----	-----		6	50204-HM8-000	5308937
9	COLLAR, ENGINE HANGER	4A 4B 4C 4D	-----	-----		2	50205-HM8-000	5335476
10	BRACKET, HEAD HANGER	4A 4B 4C 4D	-----	-----		1	50351-HN5-670	6250948
11	RUBBER, SEAT SETTING.....	4A 4B 4C 4D	-----	-----		2	77207-HA0-000	1823657
12	BOLT, ENGINE HANGER	4A 4B 4C 4D	-----	-----		2	90103-147-000	0465484
13	BAND, WIRE	4B 4D	-----	-----		3	90651-KV6-003	2576296
14	CLAMP, HARNESS	4A 4B 4C 4D	-----	-----		3	90652-HC4-003	2920726
15	CLIP, CABLE (10MM).....	4A 4B 4C 4D	-----	-----		3	90690-GHB-641	2847309
16	CLIP, CABLE (15MM).....	4A 4B 4C 4D	-----	-----		2	90690-GHB-651	2847317
17	CLIP, CABLE (20MM).....	4A 4B 4C 4D	-----	-----		1	90690-GHB-661	2847325
18	CLIP, CABLE (25MM).....	4A 4B 4C 4D	-----	-----		1	90690-GHB-671	2847333

FRAME

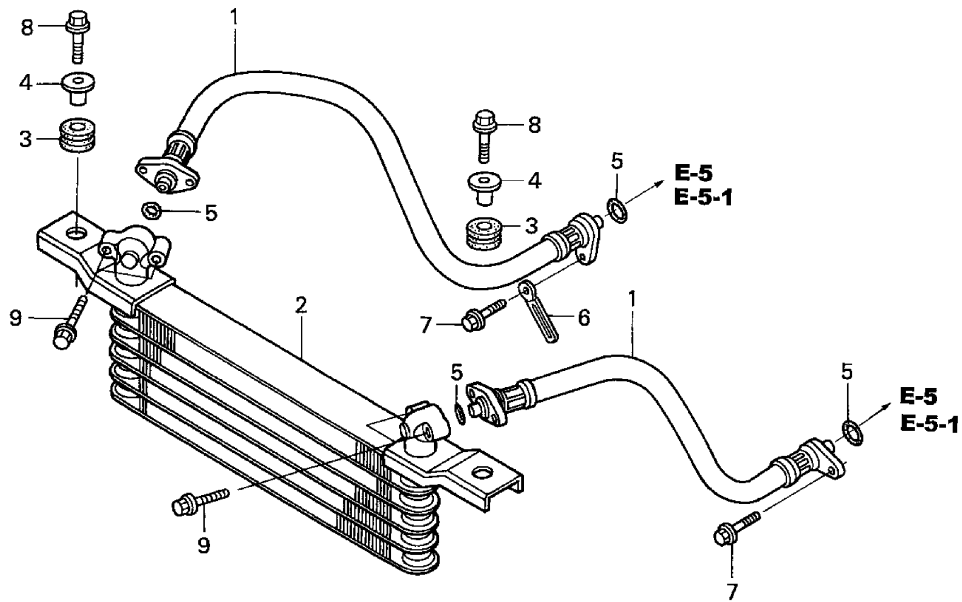
4A=TRX350TM'04
 4B=TRX350TE'04
 4C=TRX350FM'04
 4D=TRX350FE'04

F-30

Frame
Serial Number

Ref	Description	Model	From	To	AREA	QTY	Part Number	H/C
19	CLIP, CABLE (30MM).....	4A 4B 4C 4D	-----	-----		2	90690-GHB-681	3699162
20	NUT, FLANGE (10MM).....	4A 4B 4C 4D	-----	-----		3	94050-10000	0483867
21	BOLT, FLANGE (6X12)	4A 4B 4C 4D	-----	-----		4	95701-06012-00	2105799
22	BOLT, FLANGE (8X22)	4A 4B 4C 4D	-----	-----		2	95701-08022-00	2652626
23	BOLT, FLANGE (10X60)	4A 4B 4C 4D	-----	-----		1	95701-10060-00	3378049
24	BAND, WIRE	4A 4B 4C 4D	-----	-----		2	90651-KV6-003	2576296
25	BAND, WIRE	4B 4C 4D	-----	-----		1	90651-KV6-003	2576296

OIL COOLER



HN48-F3100 A

HN48F3100A

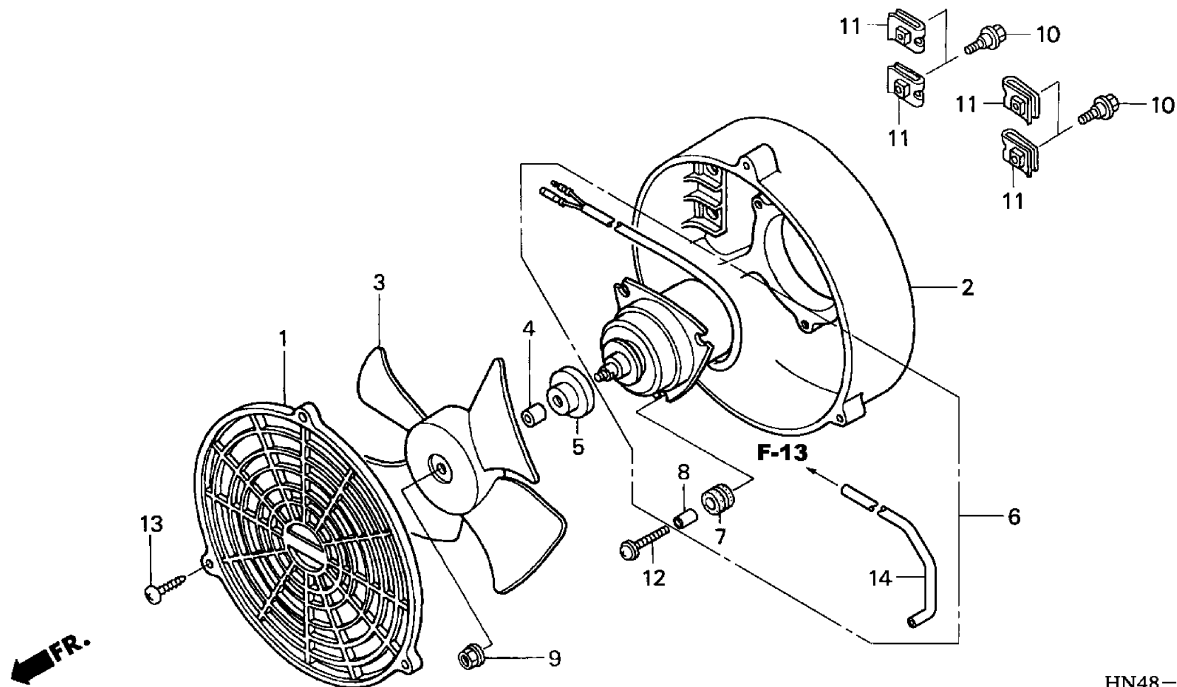
4A=TRX350TM'04
4B=TRX350TE'04
4C=TRX350FM'04
4D=TRX350FE'04

F-31

Frame
Serial Number

Ref	Description	Model	From	To	AREA	QTY	Part Number	H/C
1	HOSE, OIL	4A 4B 4C 4D	-----	-----		2	15520-HN5-670	6249775
2	COOLER, OIL.....	4A 4B 4C 4D	-----	-----		1	15600-HM7-610	5041835
3	RUBBER, RADIATOR MOUNTING	4A 4B 4C 4D	-----	-----		2	19051-KA3-830	1906759
4	COLLAR, RADIATOR MOUNTING	4A 4B 4C 4D	-----	-----		2	19052-MN8-000	2897270
5	O-RING (11X2.4)	4A 4B 4C 4D	-----	-----		4	91314-HN6-000	6759021
6	CLIP (2X70)	4B 4D	-----	-----		1	91413-679-000	0995712
7	BOLT, FLANGE (6X18)	4A 4B 4C 4D	-----	-----		2	95700-06018-00	0481184
	BOLT, FLANGE (6X18)	4A 4B 4C 4D	-----	-----		2	95701-06018-00	2410900
8	BOLT, FLANGE (6X22)	4A 4B 4C 4D	-----	-----		2	95701-06022-00	2105823
9	BOLT, FLANGE (6X20)	4A 4B 4C 4D	-----	-----		4	96001-06020-00	2529154

COOLING FAN



HN48-F3200

HN48F3200

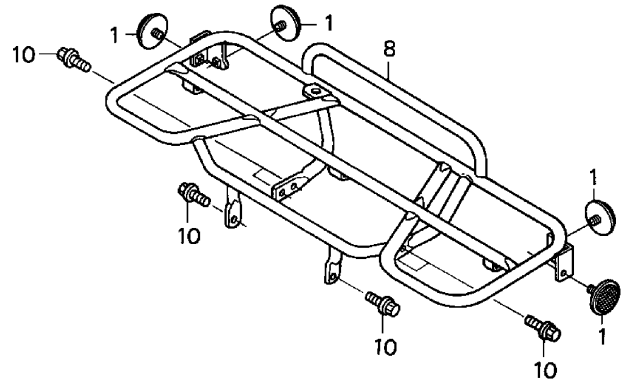
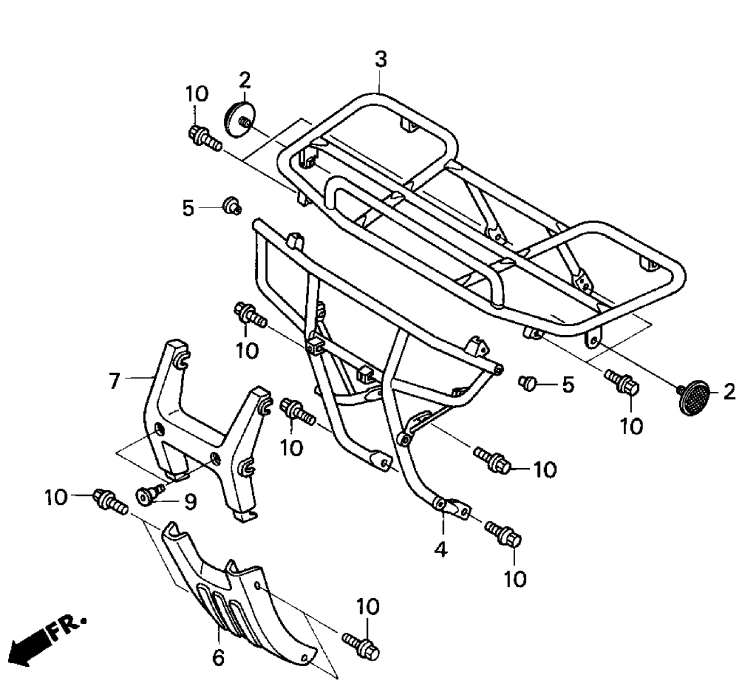
4A=TRX350TM'04
 4B=TRX350TE'04
 4C=TRX350FM'04
 4D=TRX350FE'04

F-32

Frame
 Serial Number

Ref	Description	Model	From	To	AREA	QTY	Part Number	H/C
1	COVER, SHROUD	4B 4C 4D	-----	-----		1	19014-HM7-000	4643425
2	SHROUD, COOLING FAN	4B 4C 4D	-----	-----		1	19015-HM7-000	4643433
3	FAN, COOLING	4B 4C 4D	-----	-----		1	19020-HM7-000	4643466
4	SPACER, FAN	4B 4C 4D	-----	-----		1	19021-HC4-000	2977361
5	WASHER, CUP	4B 4C 4D	-----	-----		1	19021-VM5-305	1973890
6	MOTOR, COOLING FAN	4B 4C 4D	-----	-----		1	19030-HM7-003	4713178
7	GROMMET	4B 4C 4D	-----	-----		3	19031-HA7-671	2100576
8	COLLAR	4B 4C 4D	-----	-----		3	19032-HA7-671	2100584
9	NUT, HEX. (5MM) (MITSUBA)	4B 4C 4D	-----	-----		1	90041-PG6-004	2321784
10	BOLT, FLANGE (6MM).....	4B 4C 4D	-----	-----		4	90111-197-890	3141611
11	NUT, CLIP (6MM).....	4B 4C 4D	-----	-----		4	90673-SB2-000	1641034
12	SCREW-WASHER (4X20)	4B 4C 4D	-----	-----		3	93894-04020-00	2105658
13	SCREW, TAPPING (4X16).....	4B 4C 4D	-----	-----		3	93913-24480	3899507
14	BULK HOSE, VINYL (4X7X8000) (4X7X540)	4B 4C 4D	-----	-----		1	95003-07008-60M	4750725

CARRIER



HN48-F3300

HN48F3300

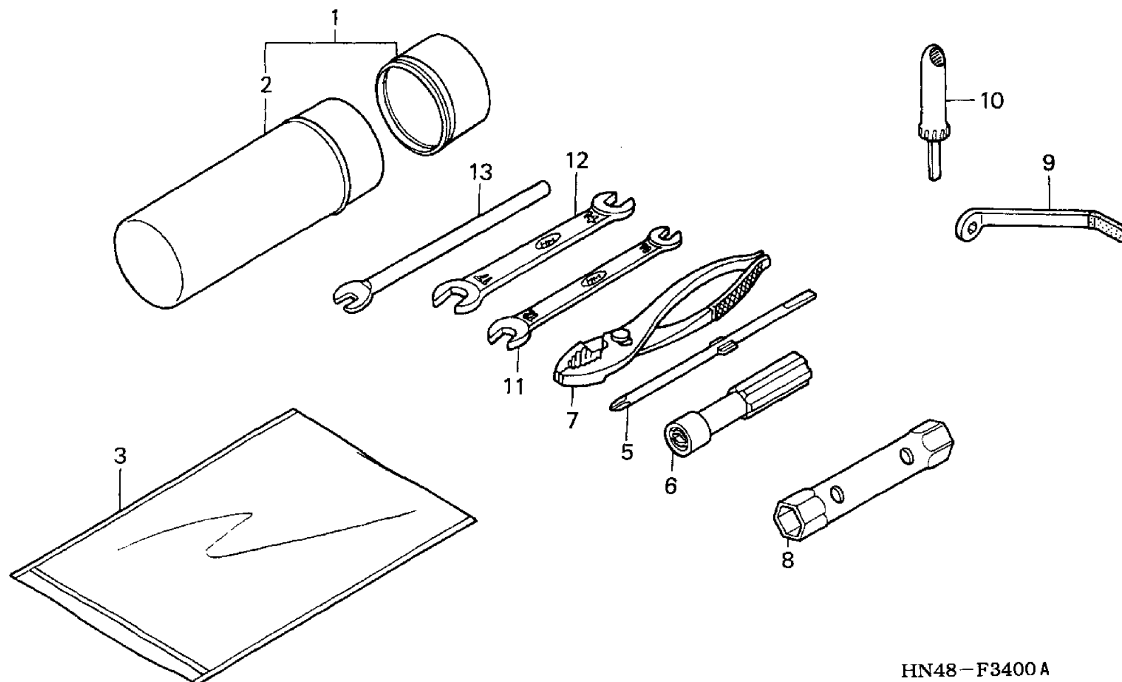
4A=TRX350TM'04
4B=TRX350TE'04
4C=TRX350FM'04
4D=TRX350FE'04

F-33

Frame
Serial Number

Ref	Description	Model	From	To	AREA	QTY	Part Number	H/C
3	CARRIER, FR. LUGGAGE *NH1* (BLACK)	4A 4B 4C 4D	-----	-----		1	81100-HN7-000ZA	7404973
4	PIPE, FR. CARRY *NH1* (BLACK)	4A 4B 4C 4D	-----	-----		1	81150-HN7-000ZA	7404981
5	CAP, FR. LUGGAGE CARRIER.....	4A 4B 4C 4D	-----	-----		2	81155-HN7-000	7341670
6	PLATE, FR. SKID *NH1* (BLACK).....	4A 4B 4C 4D	-----	-----		1	81160-HN7-000ZA	7404999
7	GUARD, FR. PIPE *NH1* (BLACK)	4A 4B 4C 4D	-----	-----		1	81170-HN7-000ZA	7339542
8	CARRIER, RR. LUGGAGE *NH1* (BLACK)	4A 4B 4C 4D	-----	-----		1	81300-HN7-000ZA	7405004
9	SCREW, PAN (6X14)	4A 4B 4C 4D	-----	-----		2	90106-KBV-000	4529699
10	BOLT, FLANGE (8X16)	4A 4B 4C 4D	-----	-----		18	95701-08016-07	2724003

TOOLS



HN48-F3400 A

HN48F3400A

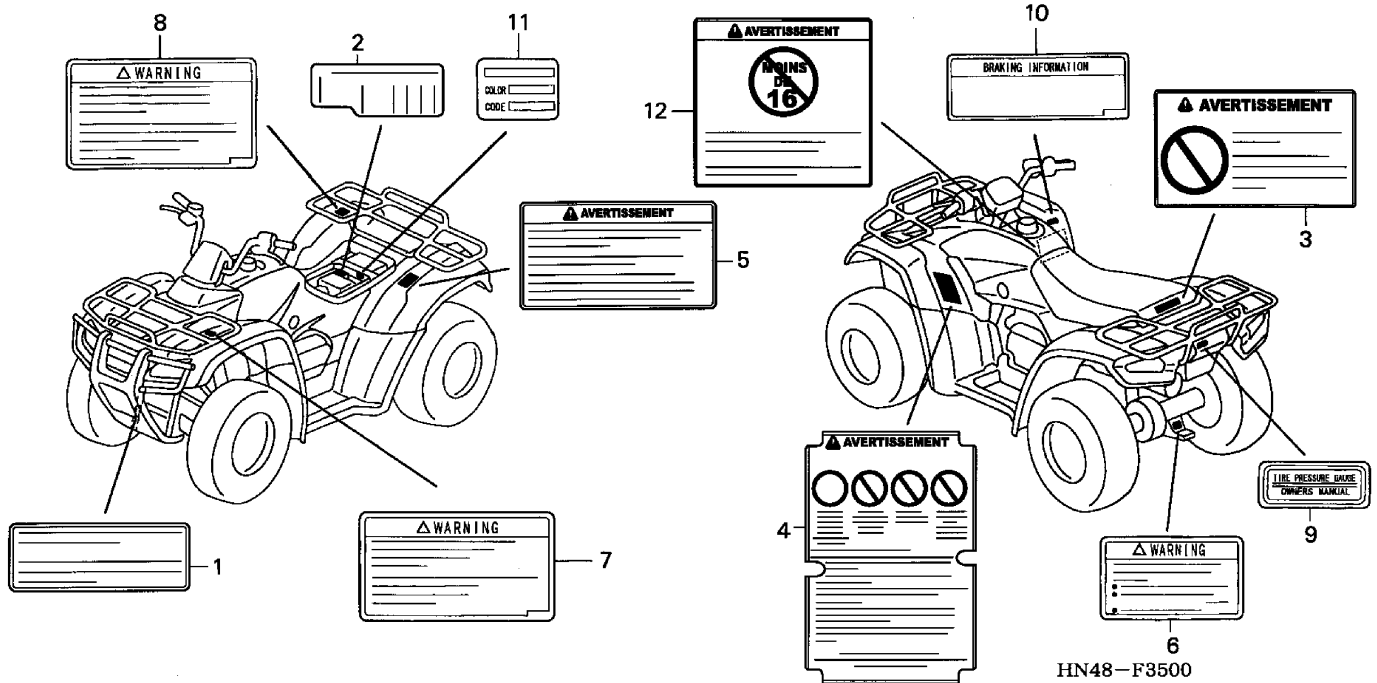
4A=TRX350TM'04
4B=TRX350TE'04
4C=TRX350FM'04
4D=TRX350FE'04

F-34

Frame
Serial Number

Ref	Description	Model	From	To	AREA	QTY	Part Number	H/C
1	BOX, TOOL	4A 4B 4C 4D	-----	-----		1	83501-152-000	0460535
2	BODY, TOOL BOX.....	4A 4B 4C 4D	-----	-----		1	83502-152-000	2519049
3	BAG, OWNER'S MANUAL.....	4A 4B 4C 4D	-----	-----		1	83642-HM5-A10	5385802
5	SHAFT, SCREWDRIVER.....	4A 4B 4C 4D	-----	-----		1	89102-538-000	0239103
6	GRIP.....	4A 4B 4C 4D	-----	-----		1	89103-538-000	0511170
7	PLIERS (135) (RIKEN).....	4A 4B 4C 4D	-----	-----		1	89210-GBJ-J00	6196968
	PLIERS (135) (KOWA).....	4A 4B 4C 4D	-----	-----		1	89210-GBJ-J10	6196976
	PLIERS (135MM)	4A 4B 4C 4D	-----	-----		1	99002-13500	0069252
8	WRENCH, BOX (18X17)	4A 4B 4C 4D	-----	-----		1	89213-968-000	1513449
9	TOOL, GEARSHIFT	4B 4D	-----	-----		1	89227-HN5-A10	6320261
10	GAUGE, TIRE PRESSURE (KOWA)	4A 4B 4C 4D	-----	-----		1	89301-HA0-771	2398386
11	WRENCH (10X12) (OPEN END)	4A 4B 4C 4D	-----	-----		1	99001-10120	0187559
12	WRENCH (14X17) (OPEN END)	4A 4B 4C 4D	-----	-----		1	99001-14170	0187567
13	BAR B, HANDLE	4A 4B 4C 4D	-----	-----		1	99005-02000	0268219

LABELS



HN48-F3500

HN48F3500

4A=TRX350TM'04
 4B=TRX350TE'04
 4C=TRX350FM'04
 4D=TRX350FE'04

F-35

Frame
 Serial Number

Ref	Description	Model	From	To	AREA	QTY	Part Number	H/C
4	LABEL, GENERAL WARNING	4A 4C	-----	-----		1	87504-HM5-A10	5385984
5	LABEL, TIRE & OVERLOAD WARNING	4A	-----	-----		1	87505-HN4-670	6247027
	LABEL, TIRE & OVERLOAD WARNING	4C	-----	-----		1	87505-HN5-670	6292536
6	LABEL, TRAILER HITCH	4A 4B 4C 4D	-----	-----		1	87508-HM5-930	5148788
7	LABEL, FR. CARRIER (HAM)	4A 4B 4C 4D	-----	-----		1	87511-HC4-840	4082897
8	LABEL, RR. CARRIER (HAM)	4A 4B 4C 4D	-----	-----		1	87512-HC4-840	4082905
9	LABEL, OWNER'S MANUAL & TIRE GAUGE.....	4A 4B 4C 4D	-----	-----		1	87518-HB2-770	2422087
10	LABEL, BRAKING INFORMATION (4WD)..	4C 4D	-----	-----		1	87543-HM7-700	4769303
11	LABEL, COLOR *R232* (TYPE1) (PATRIOT RED).....	4A	-----	-----		1	87565-HN4-M00ZA	7419435
	LABEL, COLOR *Y151* (TYPE2) (STARBURST YELLOW)	4A	-----	-----		1	87565-HN4-M00ZB	7419443
	LABEL, COLOR *G152* (TYPE3) (ADVENTURE GREEN).....	4A	-----	-----		1	87565-HN4-M00ZC	7419450
	LABEL, COLOR *R232* (TYPE1) (PATRIOT RED).....	4B	-----	-----		1	87565-HN4-M10ZA	7419468
	LABEL, COLOR *Y151* (TYPE2) (STARBURST YELLOW)	4B	-----	-----		1	87565-HN4-M10ZB	7419476

LABELS

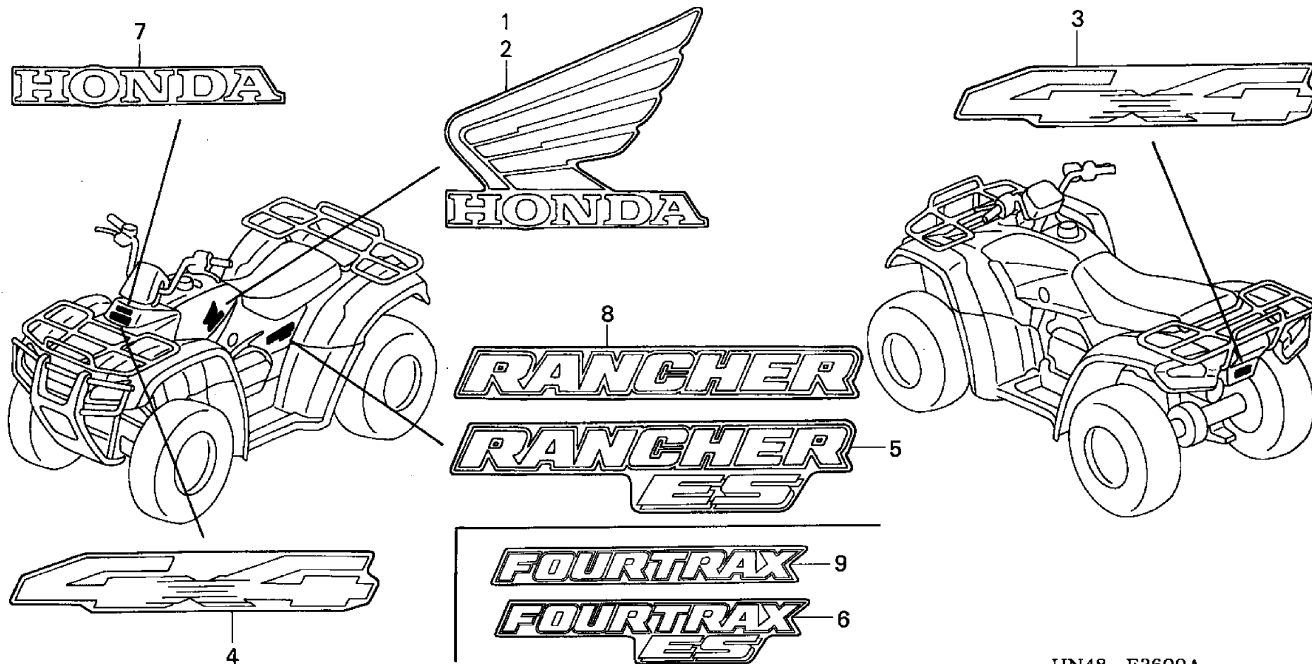
4A=TRX350TM'04
 4B=TRX350TE'04
 4C=TRX350FM'04
 4D=TRX350FE'04

F-35

Frame
Serial Number

Ref	Description	Model	From	To	AREA	QTY	Part Number	H/C
11	LABEL, COLOR *G152* (TYPE3) (ADVENTURE GREEN)	4B	-----			1	87565-HN4-M10ZC	7419484
	LABEL, COLOR *R232* (TYPE1) (PATRIOT RED)	4C	-----			1	87565-HN5-M40ZA	7419492
	LABEL, COLOR *Y151* (TYPE2) (STARBURST YELLOW)	4C	-----			1	87565-HN5-M40ZB	7419500
	LABEL, COLOR *G152* (TYPE3) (ADVENTURE GREEN)	4C	-----			1	87565-HN5-M40ZC	7419518
	LABEL, COLOR *R232* (TYPE1) (PATRIOT RED)	4D	-----			1	87565-HN5-M50ZA	7419609
	LABEL, COLOR *Y151* (TYPE2) (STARBURST YELLOW)	4D	-----			1	87565-HN5-M50ZB	7419617
	LABEL, COLOR *G152* (TYPE3) (ADVENTURE GREEN)	4D	-----			1	87565-HN5-M50ZC	7419625

MARKS



HN48-F3600A

HN48F3600A

4A=TRX350TM'04
4B=TRX350TE'04
4C=TRX350FM'04
4D=TRX350FE'04

F-36

Frame
Serial Number

Ref	Description	Model	From	To	AREA	QTY	Part Number	H/C
1	EMBLEM, R. FUEL TANK COVER (TYPE1)	4A 4B 4C 4D	-----	-----		1	87121-HN7-000ZA	7340250
	EMBLEM, R. FUEL TANK COVER (TYPE2)	4A 4B 4C 4D	-----	-----		1	87121-HN7-000ZB	7340268
	EMBLEM, R. FUEL TANK COVER (TYPE3)	4A 4B 4C 4D	-----	-----		1	87121-HN7-000ZC	7340276
2	EMBLEM, L. FUEL TANK COVER (TYPE1)	4A 4B 4C 4D	-----	-----		1	87122-HN7-000ZA	7340284
	EMBLEM, L. FUEL TANK COVER (TYPE2)	4A 4B 4C 4D	-----	-----		1	87122-HN7-000ZB	7340292
	EMBLEM, L. FUEL TANK COVER (TYPE3)	4A 4B 4C 4D	-----	-----		1	87122-HN7-000ZC	7340300
3	MARK, RR. (4X4) (TYPE1).....	4C 4D	-----	-----		1	87123-HN7-000ZA	7340318
4	MARK (4X4) (TYPE1).....	4C 4D	-----	-----		1	87124-HN7-000ZA	7340326
	MARK (4X4) (TYPE2).....	4C 4D	-----	-----		1	87124-HN7-000ZB	7340334
	MARK (4X4) (TYPE3).....	4C 4D	-----	-----		1	87124-HN7-000ZC	7340342
5	MARK, SIDE COVER (TYPE1)	4B 4D	-----	-----		2	87126-HN5-M50ZA	7410624
	MARK, SIDE COVER (TYPE2)	4B 4D	-----	-----		2	87126-HN5-M50ZB	7419351
	MARK, SIDE COVER (TYPE3)	4B 4D	-----	-----		2	87126-HN5-M50ZC	7419369
7	MARK, HONDA (TYPE1)	4A 4B 4C 4D	-----	-----		1	87127-HN7-000ZA	7340870
	MARK, HONDA (TYPE2)	4A 4B 4C 4D	-----	-----		1	87127-HN7-000ZB	7340888
	MARK, HONDA (TYPE3)	4A 4B 4C 4D	-----	-----		1	87127-HN7-000ZC	7340896
8	MARK, SIDE COVER (TYPE1)	4A 4C	-----	-----		2	87126-HN5-M40ZA	7410590
	MARK, SIDE COVER (TYPE2)	4A 4C	-----	-----		2	87126-HN5-M40ZB	7410608

MARKS

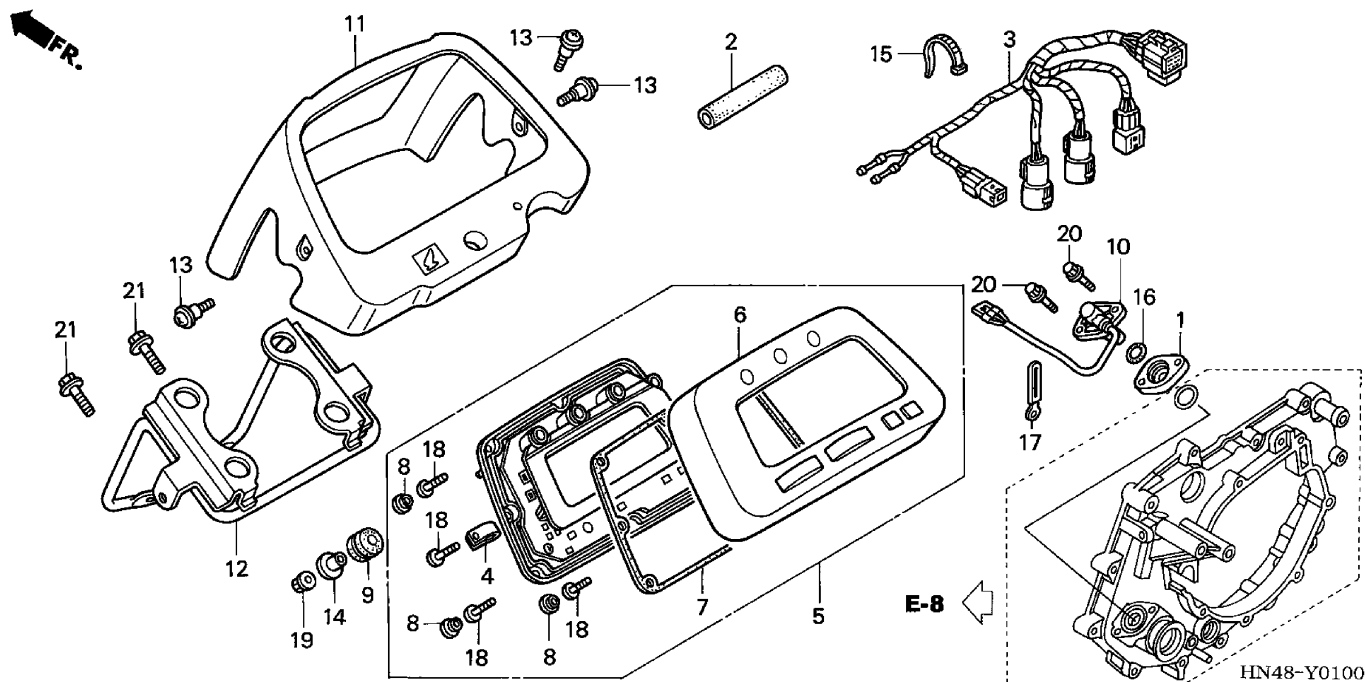
4A=TRX350TM'04
 4B=TRX350TE'04
 4C=TRX350FM'04
 4D=TRX350FE'04

F-36

Frame
Serial Number

Ref	Description	Model	From	To	AREA	QTY	Part Number	H/C
8	MARK, SIDE COVER (TYPE3)	4A 4C	-----	-----		2	87126-HN5-M40ZC	7410616

METER



HN48Y0100

4A=TRX350TM'04
 4B=TRX350TE'04
 4C=TRX350FM'04
 4D=TRX350FE'04

FOP-1

Frame
 Serial Number

Ref	Description	Model	From	To	AREA	QTY	Part Number	H/C
1	INSULATOR, SPEED SENSOR.....	4A 4C	-----	-----		1	11358-HN5-M10	7118334
2	TUBE, FR. FUEL CAP BREATHER.....	4A 4C	-----	-----		1	17522-HN5-A10	6249932
3	SUB-HARNESS, OPTION METER	4A 4C	-----	-----		1	32300-HN5-671	6373757
4	CLAMP	4A 4C	-----	-----		1	37121-KV3-008	4525606
5	METER ASSY., COMBINATION	4A	-----	-----		1	37200-HN4-671	6373823
	METER ASSY., COMBINATION	4C	-----	-----		1	37200-HN5-671	6373831
6	CASE (UPPER)	4A 4C	-----	-----		1	37201-HN0-A01	5748926
7	GASKET	4A 4C	-----	-----		1	37211-HN0-A01	5748934
8	CAP	4A 4C	-----	-----		4	37212-HN0-A01	5748942
9	RUBBER, MOUNTING.....	4A 4C	-----	-----		4	37215-HM5-670	4212288
10	SENSOR ASSY., SPEED.....	4A 4C	-----	-----		1	37700-HN5-M50	7461387
11	COVER, HANDLE *NH1* (BLACK)	4A 4C	-----	-----		1	53205-HN5-A10ZA	6252175
12	STAY, HANDLE COVER	4A 4C	-----	-----		1	53207-HN5-A10	6252209
13	SCREW, PROTECTOR SETTING.....	4A 4C	-----	-----		3	90114-MG9-770	1532027
14	COLLAR, RR. FENDER.....	4A 4C	-----	-----		4	90502-GG2-000	2729556
15	BAND, WIRE HARNESS	4A 4C	-----	-----		1	90650-MA6-720	1746650
16	O-RING (18.3X2.4) (NOK)	4A 4C	-----	-----		1	91321-PF4-004	2129211
17	CLIP (6X20)	4A 4C	-----	-----		1	91410-679-000	0840215

METER

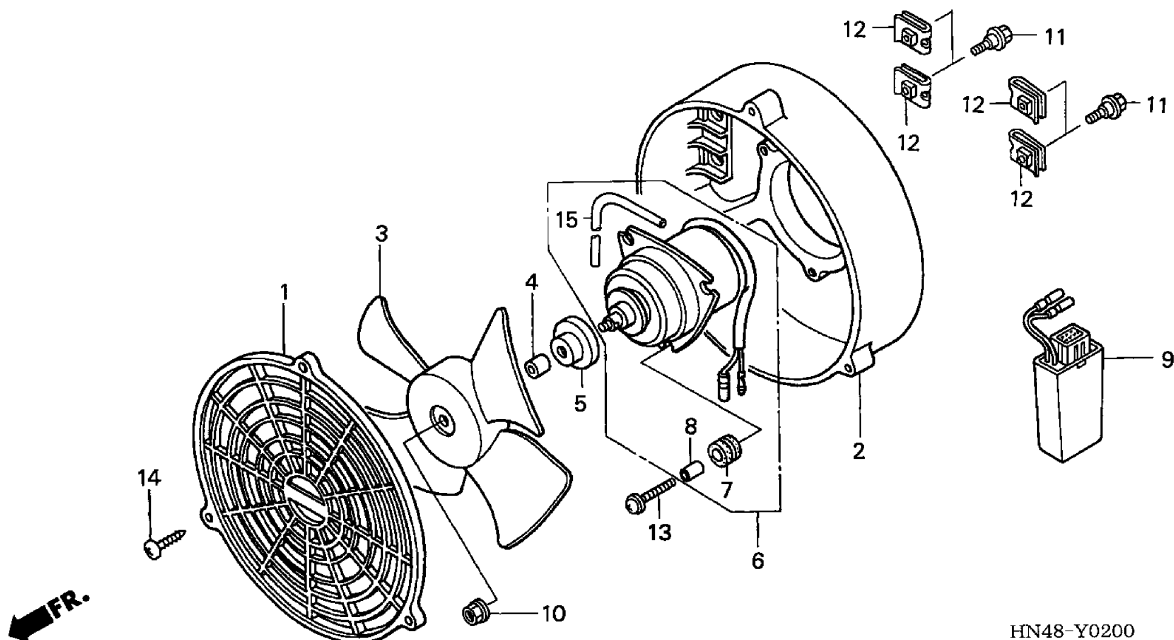
4A=TRX350TM'04
 4B=TRX350TE'04
 4C=TRX350FM'04
 4D=TRX350FE'04

FOP-1

Frame
Serial Number

Ref	Description	Model	From	To	AREA	QTY	Part Number	H/C
18	SCREW, TAPPING (4X16).....	4A 4C	-----	-----		5	93903-24420	0995944
19	NUT, FLANGE (6MM).....	4A 4C	-----	-----		4	94050-06070	2322832
20	BOLT, FLANGE (6X25)	4A 4C	-----	-----		2	95701-06025-00	2105831
21	BOLT, FLANGE (8X16)	4A 4C	-----	-----		2	95701-08016-07	2724003

COOLING FAN KIT



HN48Y0200

4A=TRX350TM'04
 4B=TRX350TE'04
 4C=TRX350FM'04
 4D=TRX350FE'04

FOP-2

Frame
Serial Number

Ref	Description	Model	From	To	AREA	QTY	Part Number	H/C
1	COVER, SHROUD	4A	-----	-----		1	19014-HM7-000	4643425
2	SHROUD, COOLING FAN	4A	-----	-----		1	19015-HM7-000	4643433
3	FAN, COOLING	4A	-----	-----		1	19020-HM7-000	4643466
4	SPACER, FAN	4A	-----	-----		1	19021-HC4-000	2977361
5	WASHER, CUP	4A	-----	-----		1	19021-VM5-305	1973890
6	MOTOR, COOLING FAN	4A	-----	-----		1	19030-HM7-003	4713178
7	GROMMET	4A	-----	-----		3	19031-HA7-671	2100576
8	COLLAR	4A	-----	-----		3	19032-HA7-671	2100584
9	MODULE, IGNITION CONTROL DIGITAL (CDI)(DC)	4A	-----	-----		1	30410-HN5-671	6384879
10	NUT, HEX. (5MM) (MITSUBA)	4A	-----	-----		1	90041-PG6-004	2321784
11	BOLT, FLANGE (6MM).....	4A	-----	-----		4	90111-197-890	3141611
12	NUT, CLIP (6MM).....	4A	-----	-----		4	90673-SB2-000	1641034
13	SCREW-WASHER (4X20)	4A	-----	-----		3	93894-04020-00	2105658
14	SCREW, TAPPING (4X16).....	4A	-----	-----		3	93913-24480	3899507
15	BULK HOSE, VINYL (4X7X8000) (4X7X540)	4A	-----	-----		1	95003-07008-60M	4750725

Part Number Index

PART NUMBER INDEX

Part Number	Grid	Page	Part Number	Grid	Page	Part Number	Grid	Page
(0)			13012-HN5-672	1-C11	<u>1-23</u>	16013-HN8-003	1-C16	<u>1-33</u>
06430-HN0-A20	1-E15	<u>2-31</u>	13013-HN5-671	1-C11	<u>1-23</u>	16015-HN5-M41	1-C16	<u>1-33</u>
06430-HN0-A30	1-E15	<u>2-31</u>	13013-HN5-672	1-C11	<u>1-23</u>	16016-HM7-670	1-C16	<u>1-33</u>
06450-HN5-671	1-E13	<u>2-26</u>	13014-HN5-671	1-C11	<u>1-23</u>	16028-HM5-730	1-C16	<u>1-33</u>
06910-HM7-610	1-E11	<u>2-22</u>	13014-HN5-672	1-C11	<u>1-23</u>	16037-HM5-L00	1-C16	<u>1-33</u>
	1-F1	<u>2-34</u>	13101-HN5-670	1-C11	<u>1-23</u>	16046-HM5-730	1-C16	<u>1-33</u>
(1)			13102-HN5-670	1-C11	<u>1-23</u>	16048-HM7-700	1-C16	<u>1-33</u>
11100-HN5-M00	1-C10	<u>1-21</u>	13103-HN5-670	1-C11	<u>1-23</u>	16050-HN5-M41	1-C16	<u>1-33</u>
11200-HN5-M00	1-C10	<u>1-21</u>	13104-HN5-670	1-C11	<u>1-23</u>	16070-HN5-672	1-C16	<u>1-33</u>
11310-HN5-670	1-F3	<u>2-39</u>	13105-HN5-670	1-C11	<u>1-23</u>	16075-GHB-640	1-C16	<u>1-33</u>
11320-HN5-670	1-F3	<u>2-39</u>	13111-HC0-000	1-C11	<u>1-23</u>	16080-HC0-003	1-C16	<u>1-33</u>
11330-HN4-A60	1-C5	<u>1-10</u>	13112-HN5-670	1-C11	<u>1-23</u>	16100-HN5-M41	1-C16	<u>1-33</u>
11330-HN4-A70	1-C4	<u>1-8</u>	13420-HN5-670	1-C12	<u>1-24</u>	16107-KM3-702	1-C16	<u>1-33</u>
11330-HN5-M00	1-C5	<u>1-10</u>	14100-HN5-M00	1-C2	<u>1-4</u>	16108-MW0-750	1-C16	<u>1-33</u>
11330-HN5-M10	1-C4	<u>1-8</u>	14115-HN5-670	1-C2	<u>1-4</u>	16111-HM7-670	1-C16	<u>1-33</u>
11333-HN5-670	1-C4	<u>1-8</u>	14401-HN5-671	1-C3	<u>1-6</u>	16152-HN8-003	1-D1	<u>1-34</u>
	1-C5	<u>1-10</u>	14411-HN5-670	1-C2	<u>1-4</u>	16155-KFR-701	1-D1	<u>1-34</u>
11335-HN5-A10	1-C4	<u>1-8</u>	14421-HM7-000	1-C2	<u>1-4</u>	16157-HN8-003	1-D1	<u>1-34</u>
11337-HN5-A10	1-C4	<u>1-8</u>	14431-HM8-000	1-C2	<u>1-4</u>	16163-HM7-700	1-D1	<u>1-34</u>
11339-HN5-A10	1-C4	<u>1-8</u>	14440-HN5-670	1-C2	<u>1-4</u>	16165-HC4-840	1-D1	<u>1-34</u>
11340-HN5-M00	1-C8	<u>1-16</u>	14451-HN5-670	1-C2	<u>1-4</u>	16168-HC4-003	1-D1	<u>1-34</u>
11340-HN5-M10	1-C8	<u>1-16</u>	14510-HN5-670	1-C3	<u>1-6</u>	16172-HN0-A00	1-D1	<u>1-34</u>
11350-HN5-670	1-C8	<u>1-16</u>	14540-HN5-671	1-C3	<u>1-6</u>	16180-HC4-003	1-D1	<u>1-34</u>
11356-HN5-M00	1-C8	<u>1-17</u>	14711-HN5-M00	1-C2	<u>1-4</u>	16180-ML6-671	1-D1	<u>1-34</u>
11358-HN5-M10	1-C8	<u>1-16</u>	14721-HN5-M00	1-C2	<u>1-4</u>	16210-HN5-671	1-C1	<u>1-2</u>
	1-G2	<u>2-68</u>	14751-HN0-A00	1-C2	<u>1-4</u>	16219-HC4-000	1-C1	<u>1-2</u>
11360-HN5-670	1-C10	<u>1-21</u>	14761-HM8-000	1-C2	<u>1-4</u>	16510-MBW-601	1-D1	<u>1-34</u>
11370-HN5-670	1-C8	<u>1-16</u>	14771-KE5-000	1-C2	<u>1-4</u>	16950-HN7-003	1-F2	<u>2-37</u>
11380-HN5-670	1-C4	<u>1-8</u>	14775-HN0-670	1-C2	<u>1-4</u>	16952-HN7-003	1-F2	<u>2-37</u>
	1-C5	<u>1-10</u>	14781-HA0-770	1-C2	<u>1-4</u>	16963-HM8-000ZA	1-F2	<u>2-37</u>
11390-HN5-670	1-C10	<u>1-21</u>	15100-HN5-M00	1-C7	<u>1-14</u>	16997-467-000	1-F2	<u>2-37</u>
11396-HN5-670	1-C8	<u>1-16</u>	15121-HN5-M01	1-C7	<u>1-14</u>	17191-MN5-740	1-D1	<u>1-34</u>
12100-HN5-670	1-C3	<u>1-7</u>	15122-HN5-M01	1-C7	<u>1-14</u>	17210-HN5-670	1-F5	<u>2-43</u>
12191-HN5-670	1-C3	<u>1-7</u>	15126-HN2-003	1-C7	<u>1-14</u>	17211-HN5-670	1-F5	<u>2-43</u>
12200-HN5-M00	1-C1	<u>1-2</u>	15127-HN2-003	1-C7	<u>1-14</u>	17212-HN5-670	1-F5	<u>2-43</u>
12204-HN0-305	1-C1	<u>1-2</u>	15152-HN5-671	1-C7	<u>1-14</u>	17213-HN5-670	1-F5	<u>2-43</u>
12209-KL4-005	1-C2	<u>1-4</u>	15153-HN5-670	1-C10	<u>1-21</u>	17217-HN5-670	1-F5	<u>2-43</u>
12251-HN5-671	1-C1	<u>1-2</u>	15310-HN5-670	1-C7	<u>1-14</u>	17219-HN5-670	1-F5	<u>2-43</u>
12311-HN5-670	1-C1	<u>1-2</u>	15320-HN5-670	1-C7	<u>1-14</u>	17223-HM8-000	1-F5	<u>2-43</u>
12315-HN5-671	1-C1	<u>1-2</u>	15325-HN5-670	1-C7	<u>1-14</u>	17224-HM5-930	1-F5	<u>2-43</u>
12361-035-000	1-E11	<u>2-22</u>	15412-HM5-A10	1-C4	<u>1-8</u>	17224-KN5-670	1-F3	<u>2-39</u>
	1-F1	<u>2-34</u>		1-C5	<u>1-10</u>	17225-KN5-670	1-F3	<u>2-39</u>
12361-300-000	1-E11	<u>2-22</u>	15413-MC8-000	1-C4	<u>1-8</u>	17250-HN5-670	1-F5	<u>2-43</u>
	1-F1	<u>2-34</u>		1-C5	<u>1-10</u>	17252-HN5-670	1-F5	<u>2-43</u>
12361-371-980	1-E11	<u>2-22</u>	15414-KF0-000	1-C4	<u>1-8</u>	17253-HN5-M00	1-F5	<u>2-43</u>
	1-F1	<u>2-34</u>		1-C5	<u>1-10</u>	17254-HN5-670	1-F5	<u>2-43</u>
13000-HN5-M00	1-C11	<u>1-23</u>	15421-HC4-005	1-C10	<u>1-21</u>	17255-HN5-670	1-F5	<u>2-43</u>
13010-HN5-671	1-C11	<u>1-23</u>	15421-HN5-671	1-C10	<u>1-21</u>	17256-HN5-670	1-F5	<u>2-43</u>
13010-HN5-672	1-C11	<u>1-23</u>	15520-HN5-670	1-F14	<u>2-60</u>	17316-611-000	1-F5	<u>2-43</u>
13011-HN5-671	1-C11	<u>1-23</u>	15600-HM7-610	1-F14	<u>2-60</u>	17366-HN5-670	1-F5	<u>2-43</u>
13011-HN5-672	1-C11	<u>1-23</u>	15650-HN5-670	1-C4	<u>1-8</u>	17504-HN5-671	1-F2	<u>2-37</u>
13012-HN5-671	1-C11	<u>1-23</u>		1-C5	<u>1-10</u>	17510-HN5-M40	1-F2	<u>2-37</u>
			15655-HN5-670	1-C10	<u>1-21</u>	17513-HC0-300	1-F10	<u>2-53</u>
			16010-HM7-670	1-C16	<u>1-33</u>	17515-HN5-M40	1-F2	<u>2-37</u>
			16010-HM7-700	1-C16	<u>1-33</u>	17516-HC4-000	1-F13	<u>2-58</u>
			16012-HN5-M41	1-C16	<u>1-33</u>	17521-HA2-670	1-F2	<u>2-37</u>

PART NUMBER INDEX

Part Number	Grid	Page	Part Number	Grid	Page	Part Number	Grid	Page
17522-HN5-A10	1-F2	<u>2-37</u>	22202-MAE-000	1-C6	<u>1-12</u>	24241-HM3-670	1-C14	<u>1-28</u>
	1-G2	<u>2-68</u>	22321-HN0-670	1-C6	<u>1-12</u>	24300-HN5-671	1-C14	<u>1-28</u>
17620-HF7-000	1-F2	<u>2-37</u>	22350-HN5-M00	1-C6	<u>1-12</u>	24315-HN5-671	1-C14	<u>1-28</u>
17624-HF7-000	1-F2	<u>2-37</u>	22351-HA7-670	1-C6	<u>1-12</u>	24430-HN5-670	1-C14	<u>1-28</u>
17626-467-000	1-F2	<u>2-37</u>	22366-HN0-670	1-C6	<u>1-12</u>	24435-HN5-670	1-C14	<u>1-28</u>
17681-HN5-M40	1-F2	<u>2-37</u>	22367-HN0-670	1-C6	<u>1-12</u>	24435-HN5-A10	1-C14	<u>1-28</u>
17724-102-700	1-F5	<u>2-43</u>	22401-HN5-670	1-C6	<u>1-12</u>	24611-HN5-670	1-C14	<u>1-29</u>
17910-HN5-670	1-E2	<u>2-4</u>	22401-HN5-A10	1-C6	<u>1-12</u>	24611-HN5-A10	1-C14	<u>1-28</u>
17950-HN5-M40	1-E2	<u>2-4</u>	22402-435-000	1-C6	<u>1-12</u>	24615-HN0-771	1-C4	<u>1-8</u>
18291-MN4-920	1-F6	<u>2-45</u>	22451-HN5-670	1-C6	<u>1-13</u>	24616-HN0-771	1-C4	<u>1-9</u>
18310-HN5-670	1-F6	<u>2-45</u>	22500-HN5-M00	1-C6	<u>1-13</u>	24617-HN0-771	1-C4	<u>1-9</u>
18318-HN5-670	1-F6	<u>2-45</u>	22535-HN5-670	1-C6	<u>1-13</u>	24620-HN5-M00	1-C14	<u>1-28</u>
18320-HN5-670	1-F6	<u>2-45</u>	22714-HN5-670	1-C6	<u>1-13</u>	24651-HM7-000	1-C14	<u>1-28</u>
18321-HN5-670	1-F6	<u>2-45</u>	22810-HM7-700	1-C4	<u>1-8</u>	24651-HN5-670	1-C14	<u>1-28</u>
18324-HN5-M40	1-F6	<u>2-45</u>		1-C5	<u>1-10</u>	24652-KY4-900	1-C14	<u>1-28</u>
18334-KA3-830	1-F2	<u>2-37</u>	22820-HN5-670	1-C4	<u>1-8</u>	24656-HN5-670	1-C14	<u>1-28</u>
18372-HN5-670	1-F6	<u>2-45</u>		1-C5	<u>1-10</u>	24661-HN5-670	1-C14	<u>1-28</u>
18373-HA0-003	1-F6	<u>2-45</u>	22825-HN0-671	1-C4	<u>1-8</u>	24670-HN5-670	1-C14	<u>1-28</u>
18373-HN5-670	1-F6	<u>2-45</u>		1-C5	<u>1-10</u>	24680-HN5-670	1-C14	<u>1-28</u>
18374-HN5-670	1-F6	<u>2-45</u>	22830-HN5-670	1-C4	<u>1-8</u>	24680-HN5-A10	1-C14	<u>1-29</u>
18391-ML8-000	1-F6	<u>2-45</u>		1-C5	<u>1-10</u>	24700-HN5-M40	1-F8	<u>2-48</u>
18532-634-670	1-F5	<u>2-43</u>	22841-HC4-000	1-C4	<u>1-8</u>	24781-371-000	1-F8	<u>2-48</u>
18631-MAH-710	1-F6	<u>2-44</u>		1-C5	<u>1-10</u>	24860-HN5-M00	1-C8	<u>1-17</u>
19014-HM7-000	1-F14	<u>2-61</u>	22860-HB3-000	1-C4	<u>1-8</u>	24860-HN5-M10	1-C8	<u>1-16</u>
	1-G3	<u>2-70</u>		1-C5	<u>1-10</u>	24865-HN5-670	1-C8	<u>1-16</u>
19015-HM7-000	1-F14	<u>2-61</u>	22880-HN5-A80	1-E2	<u>2-4</u>	24871-HN5-670	1-C8	<u>1-16</u>
	1-G3	<u>2-70</u>	23120-HN5-670	1-C6	<u>1-13</u>	28102-ME9-000	1-C9	<u>1-19</u>
19018-HN5-670	1-F13	<u>2-58</u>	23211-HN5-M00	1-C12	<u>1-25</u>	28110-HN5-670	1-C9	<u>1-19</u>
19019-HN5-670	1-F13	<u>2-58</u>	23213-HA0-000	1-C6	<u>1-13</u>	28125-HN5-671	1-C9	<u>1-19</u>
19020-HM7-000	1-F14	<u>2-61</u>	23221-HN5-671	1-C12	<u>1-25</u>	28131-HN5-670	1-C9	<u>1-19</u>
	1-G3	<u>2-70</u>	23411-HN5-670	1-C12	<u>1-25</u>	28400-HN5-M01	1-C15	<u>1-31</u>
19021-HC4-000	1-F14	<u>2-61</u>	23413-HN5-670	1-C12	<u>1-25</u>	28402-HB6-004	1-C15	<u>1-31</u>
	1-G3	<u>2-70</u>	23414-HN5-670	1-C12	<u>1-25</u>	28404-HN5-M01	1-C15	<u>1-31</u>
19021-VM5-305	1-F14	<u>2-61</u>	23415-HB3-000	1-C12	<u>1-25</u>	28405-HN5-M01	1-C15	<u>1-31</u>
	1-G3	<u>2-70</u>	23431-HN5-670	1-C12	<u>1-25</u>	28407-HN5-M01	1-C15	<u>1-31</u>
19030-HM7-003	1-F14	<u>2-61</u>	23432-HN5-670	1-C12	<u>1-25</u>	28408-HN5-M01	1-C15	<u>1-31</u>
	1-G3	<u>2-70</u>	23441-HN5-670	1-C12	<u>1-25</u>	28410-HN5-M01	1-C15	<u>1-31</u>
19031-HA7-671	1-F14	<u>2-61</u>	23451-HN5-670	1-C12	<u>1-25</u>	28420-HN5-M01	1-C15	<u>1-31</u>
	1-G3	<u>2-70</u>	23452-HB3-000	1-C12	<u>1-25</u>	28422-ZE1-003	1-C15	<u>1-31</u>
19032-HA7-671	1-F14	<u>2-61</u>	23456-HN5-670	1-C12	<u>1-25</u>	28430-HN5-M00	1-C15	<u>1-31</u>
	1-G3	<u>2-70</u>	23461-HN5-670	1-C12	<u>1-25</u>	28432-HB6-004	1-C15	<u>1-31</u>
19051-KA3-830	1-F6	<u>2-44</u>	23462-HB3-000	1-C12	<u>1-25</u>	28433-HN5-M01	1-C15	<u>1-31</u>
	1-F14	<u>2-60</u>	23471-HN5-670	1-C12	<u>1-25</u>	28434-HN5-M01	1-C15	<u>1-31</u>
19052-MN8-000	1-F2	<u>2-37</u>	23481-HN5-670	1-C12	<u>1-25</u>	28446-968-004	1-C15	<u>1-31</u>
	1-F6	<u>2-44</u>	23491-HN5-670	1-C12	<u>1-25</u>	28448-HN5-M01	1-C15	<u>1-31</u>
	1-F14	<u>2-60</u>	23521-HN5-670	1-C13	<u>1-26</u>			
(2)			23611-HN5-670	1-C15	<u>1-30</u>	(3)		
			23612-HN5-671	1-C15	<u>1-30</u>			
22100-HN5-670	1-C6	<u>1-12</u>	23621-HN5-670	1-C15	<u>1-30</u>	30300-HA0-033	1-C9	<u>1-18</u>
22121-HM7-000	1-C6	<u>1-12</u>	23631-HN5-670	1-C15	<u>1-30</u>	30301-HN5-670	1-C9	<u>1-18</u>
22121-HN5-A10	1-C6	<u>1-12</u>	23721-HN5-670	1-C13	<u>1-26</u>	30401-HM5-A10	1-F12	<u>2-56</u>
22125-435-000	1-C6	<u>1-12</u>	23731-HB3-000	1-C13	<u>1-26</u>	30410-HN4-671	1-F12	<u>2-56</u>
22201-377-000	1-C6	<u>1-12</u>	23751-HN5-670	1-C13	<u>1-26</u>	30410-HN5-671	1-F12	<u>2-56</u>
22201-MAV-000	1-C6	<u>1-12</u>	24211-HN5-670	1-C14	<u>1-28</u>		1-G3	<u>2-70</u>
22201-ML4-610	1-C6	<u>1-12</u>	24212-HN5-670	1-C14	<u>1-28</u>	30506-KV3-771	1-F12	<u>2-56</u>
			24213-HN5-670	1-C14	<u>1-28</u>	30510-HN5-670	1-F12	<u>2-56</u>

PART NUMBER INDEX

Part Number	Grid	Page	Part Number	Grid	Page	Part Number	Grid	Page
30700-965-013	1-F12	2-56	35340-ML4-005	1-E2	2-4	41311-HN5-670	1-F1	2-34
30700-MA0-163	1-F12	2-56		1-E3	2-6	41320-HN5-670	1-F1	2-34
31110-HN5-671	1-C9	1-18	35345-HF1-830	1-E2	2-4	41400-HN5-M40	1-E11	2-22
31110-HN5-672	1-C9	1-18	35350-HN7-003	1-F7	2-47	41405-HA7-670	1-E11	2-22
31120-HN5-M01	1-C9	1-18	35357-HN7-000	1-F7	2-47		1-F1	2-34
31120-HN5-M02	1-C9	1-18	35600-HA0-003	1-C8	1-16	41411-HN5-670	1-E11	2-22
31200-HN5-M01	1-C10	1-20	35759-HN4-M00	1-C8	1-16	41420-HN5-670	1-E11	2-22
31201-KS5-901	1-C10	1-20	35759-HN5-A11	1-C8	1-16	41421-HN5-670	1-F1	2-34
31204-KS5-901	1-C10	1-20	35850-HN7-003	1-F11	2-55	41431-HN5-670	1-F1	2-34
31205-KL8-711	1-C10	1-20	35856-425-000	1-F11	2-55	41436-MB0-310	1-F1	2-34
31206-MN4-008	1-C10	1-20	37121-HN0-A11	1-E1	2-3	41437-MB0-310	1-F1	2-34
31207-KS5-901	1-C10	1-20	37121-KV3-008	1-E1	2-3	41438-MB0-310	1-F1	2-34
31210-HM7-003	1-C10	1-20		1-G2	2-68	41447-HM7-000	1-E11	2-22
31300-HN5-A11	1-C4	1-9	37200-HN4-671	1-G2	2-68	41447-HM8-000	1-F1	2-34
31500-HC4-726	1-F11	2-55	37200-HN4-A71	1-E1	2-3	41448-HM7-000	1-E11	2-22
31511-KE2-850	1-F6	2-44	37200-HN5-671	1-G2	2-68	41448-HM8-000	1-F1	2-34
31600-HN5-M40	1-F12	2-56	37200-HN5-M11	1-E1	2-3	41449-HM7-000	1-E11	2-22
31601-HN5-M40	1-F12	2-56	37201-HN0-A01	1-E1	2-3	41449-HM8-000	1-F1	2-34
31651-HN5-671	1-E7	2-14		1-G2	2-68	41451-HA0-000	1-E11	2-23
31652-HN0-A01	1-E7	2-14	37201-HN5-A11	1-E1	2-3	41451-HM8-000	1-F1	2-34
31653-HN0-A01	1-E7	2-14	37211-HN0-A01	1-E1	2-3	41452-HA0-000	1-E11	2-23
31730-MAS-601	1-F12	2-56		1-G2	2-68	41452-HM8-000	1-F1	2-34
32100-HN4-M01	1-F12	2-56	37211-HN5-A11	1-E1	2-3	41453-HA0-000	1-E11	2-23
32100-HN5-M41	1-F12	2-56	37212-HN0-A01	1-E1	2-3	41453-HM8-000	1-F1	2-35
32100-HN5-M50	1-F12	2-56		1-G2	2-68	41454-HA0-000	1-E11	2-23
32105-HN5-M40	1-E2	2-4	37215-HM5-670	1-E1	2-3	41454-HM8-000	1-F1	2-35
32300-HN5-671	1-G2	2-68		1-E4	2-9	41455-HA0-000	1-E11	2-23
32328-HN7-000	1-F2	2-37		1-G2	2-68	41455-HM8-000	1-F1	2-35
32401-HN5-M40	1-F11	2-55	37600-HN5-670	1-E4	2-9	41456-HA0-000	1-E11	2-23
32401-HN7-000	1-F11	2-55	37602-HM5-670	1-E4	2-9	41456-HM8-000	1-F1	2-35
32405-HN5-671	1-F11	2-55	37603-HM5-670	1-E4	2-9	41457-HA0-000	1-E11	2-23
32601-HN5-M40	1-F11	2-55	37700-HN5-M50	1-G2	2-68	41457-HM8-000	1-F1	2-35
32603-HN5-M40	1-F12	2-56	37700-HN5-M51	1-C8	1-16	41521-HN5-670	1-E11	2-23
32850-HN5-670	1-C10	1-21	37750-HN5-M40	1-C10	1-21	41531-HN7-000	1-E11	2-23
32855-HN5-670	1-C8	1-16	37751-HN5-M40	1-C10	1-21	41540-HA0-000	1-F1	2-35
32921-HN5-670	1-C9	1-18	37902-HN0-A11	1-E1	2-3	41540-HC4-000	1-F1	2-35
33110-HN5-M40	1-E1	2-2	38581-671-003	1-E11	2-22	41541-HA0-000	1-F1	2-35
33113-MBW-D21	1-F11	2-54		1-E13	2-26	41541-HC4-000	1-F1	2-35
33130-HN5-M40	1-E1	2-2	38581-679-003	1-E11	2-22	41542-HA0-000	1-F1	2-35
33160-HN5-M40	1-E1	2-2		1-E13	2-26	41542-HC4-000	1-F1	2-35
33710-HN8-003	1-F11	2-54	38800-HM8-A50	1-C4	1-9	41543-HA0-000	1-F1	2-35
33718-GE2-690	1-F10	2-52	38901-HN5-A10	1-F12	2-56	41543-HC4-000	1-F1	2-35
33720-HN7-000	1-F11	2-54	38910-HN5-M11	1-F12	2-56	41544-HA0-000	1-F1	2-35
33760-HN8-003	1-F11	2-54				41544-HC4-000	1-F1	2-35
34901-HN5-M40	1-E1	2-2	(4)			41545-HA0-000	1-F1	2-35
34906-447-711	1-F11	2-54	40201-HN5-670	1-F8	2-49	41545-HC4-000	1-F1	2-35
34909-KW3-003	1-E4	2-9	40210-HM5-731	1-F8	2-49	41546-HA0-000	1-F1	2-35
35020-HN5-670	1-E2	2-5	40215-HM7-000	1-E11	2-22	41546-HC4-000	1-F1	2-35
35100-HN5-670	1-E4	2-8	40215-HN0-671	1-F8	2-49	41547-HA0-000	1-F1	2-35
	1-E4	2-9	40400-HN5-670	1-E11	2-22	41547-HC4-000	1-F1	2-35
35121-HF1-881	1-E4	2-8	40402-HN5-670	1-E11	2-22	41548-HA0-000	1-F1	2-35
	1-E4	2-9	40403-HN5-670	1-E11	2-22	41548-HC4-000	1-F1	2-35
35122-HF1-881	1-E4	2-8	40420-HM7-A00	1-E11	2-22	41549-HC4-000	1-F1	2-35
	1-E4	2-9	40520-HN5-M00	1-E15	2-31	41550-HC4-000	1-F1	2-35
35200-HN7-003	1-E2	2-4	41300-HN5-670	1-F1	2-34	41631-HC5-000	1-E11	2-23
35250-HN4-670	1-F12	2-57				41632-HC5-000	1-E11	2-23

PART NUMBER INDEX

Part Number	Grid	Page	Part Number	Grid	Page	Part Number	Grid	Page
41633-HC5-000	1-E11	2-23	43145-HN5-M00	1-E15	2-31	45530-HN8-006	1-E3	2-6
41634-HC5-000	1-E11	2-23	43315-671-631	1-E13	2-26	45540-MB4-671	1-E3	2-6
41635-HC5-000	1-E11	2-23	43315-SN4-003	1-E13	2-26	45700-HN5-670	1-E14	2-28
41636-HC5-000	1-E11	2-23	43322-663-003	1-E13	2-26	46500-HN7-000	1-F7	2-47
41637-HC5-000	1-E11	2-23	43352-HC5-971	1-E13	2-26	46513-HM7-000	1-F7	2-47
41638-HC5-000	1-E11	2-23	43353-461-771	1-E13	2-26	46666-961-013	1-E3	2-6
41639-HC5-000	1-E11	2-23	43410-HN5-670	1-E15	2-31			
41640-HC5-000	1-E11	2-23	43415-HM7-000	1-E15	2-31			
41641-HC5-000	1-E11	2-23	43459-HM5-A10	1-E15	2-31			
41642-HC5-000	1-E11	2-23	43460-HN7-000	1-E2	2-4	(5)		
41643-HC5-000	1-E11	2-23	43467-HA0-000	1-E15	2-31	50049-046-000	1-F10	2-52
41644-HC5-000	1-E11	2-23	43470-HN5-670	1-F7	2-47	50100-HN5-M40	1-F13	2-58
41645-HC5-000	1-E11	2-23	43620-HN5-M00	1-E15	2-31	50201-HN5-670	1-F13	2-58
41646-HC5-000	1-E11	2-23	44121-HN4-670	1-F1	2-35	50202-HM8-003	1-F13	2-58
41647-HC5-000	1-E11	2-23	44121-HN5-670	1-E12	2-24	50203-HM7-003	1-F13	2-58
41648-HC5-000	1-E11	2-23	44312-HC4-840	1-E14	2-28	50204-HM8-000	1-F13	2-58
41649-HC5-000	1-E11	2-23	44600-HN4-670	1-E14	2-28	50205-HM8-000	1-F13	2-58
41650-HC5-000	1-E11	2-23	44602-HM5-A10	1-E14	2-28	50304-KS3-900	1-E12	2-24
41651-HC5-000	1-E11	2-23	44610-HM5-A80	1-E14	2-28	50326-HC4-000	1-F11	2-55
41652-HC5-000	1-E11	2-23	44620-HN4-670	1-E14	2-28	50327-HN5-670	1-F12	2-57
41653-HC5-000	1-E11	2-23	44650-HN4-M00ZA	1-E14	2-28	50328-HN2-000	1-F12	2-57
42202-HC5-003	1-E10	2-20	44650-HN7-000ZA	1-E14	2-28	50350-HN5-670	1-E12	2-24
42203-HM7-003	1-E10	2-20	44711-HN4-671	1-E14	2-28	50351-HN5-670	1-F13	2-58
42204-HC5-003	1-E10	2-20	44711-HN5-672	1-E14	2-28	50355-HN5-670	1-F1	2-35
42205-HM7-003	1-E10	2-20	44732-HC4-010	1-E14	2-28	50356-HM7-300	1-F1	2-35
42206-HA7-671	1-E10	2-20		1-E15	2-30	50607-HN5-670	1-F6	2-45
42206-HC5-003	1-E10	2-20	45110-HN5-671	1-E13	2-26	50608-HN5-670	1-F6	2-45
42206-HM7-003	1-E10	2-20	45120-HN5-671	1-E13	2-26	50610-HN2-000	1-F7	2-47
42209-HC5-003	1-E10	2-20	45126-HN7-013	1-E3	2-6	50610-HN5-M40	1-F7	2-47
42220-HM7-003	1-E10	2-20	45127-HN7-003	1-E3	2-6	50611-HN8-000	1-F7	2-47
42250-HN5-671	1-E10	2-20	45128-HN7-000	1-E3	2-6	50810-HN2-000	1-F8	2-49
42311-HN5-672	1-F1	2-35	45133-329-000	1-E15	2-31	51200-HN4-670	1-E9	2-19
42350-HN5-671	1-E10	2-20	45171-HN5-671	1-E13	2-26	51200-HN5-670	1-E10	2-20
42400-HN7-003	1-E11	2-23	45172-S04-003	1-E13	2-26	51207-HN5-670	1-E3	2-6
42440-HN5-671	1-E11	2-23	45175-HC4-006	1-E13	2-26	51208-HN5-670	1-E3	2-6
42451-HN7-003	1-E12	2-24	45176-HM5-A81	1-E13	2-26	51250-HN4-670	1-E9	2-19
42452-HN7-003	1-E12	2-24	45177-HA7-651	1-E13	2-26	51250-HN5-670	1-E10	2-20
42453-HN7-003	1-E12	2-24	45181-HC5-006	1-E13	2-26	51311-HM7-000	1-E9	2-18
42454-HN7-003	1-E12	2-24	45310-HN2-006	1-E13	2-27	51315-HN2-000	1-E9	2-18
42455-HN7-003	1-E12	2-24	45314-HN0-A01	1-E13	2-27	51316-HN2-000	1-E9	2-18
42456-HN7-003	1-E12	2-24	45316-VM0-003	1-E13	2-27	51350-HN4-670	1-E8	2-17
42457-HN7-003	1-E12	2-24	45317-634-013	1-E13	2-27	51350-HN7-000	1-E9	2-18
42461-HN5-671	1-E12	2-24	45318-HA7-671	1-E13	2-27	51355-HM5-A81	1-E9	2-19
42610-HN0-670	1-E15	2-30	45319-634-003	1-E13	2-27		1-E10	2-20
42620-HN0-670	1-E15	2-30	45330-HN2-006	1-E13	2-27	51355-HN0-A01	1-E8	2-17
42624-HN5-M00	1-E15	2-31	45336-VM0-003	1-E13	2-27		1-E9	2-18
42650-HN4-M00ZA	1-E15	2-30	45337-634-013	1-E13	2-27	51360-HN4-670	1-E8	2-17
42650-HN5-M40ZA	1-E15	2-30	45350-HN0-A01	1-E13	2-27	51360-HN7-000	1-E9	2-18
42711-HN4-671	1-E15	2-30	45370-HN0-A01	1-E13	2-27	51370-HN4-670	1-E8	2-17
42711-HN5-672	1-E15	2-30	45401-HM5-850	1-E3	2-6	51370-HN5-670	1-E9	2-18
42753-HF1-670	1-E14	2-28	45504-410-003	1-E3	2-6	51380-HN4-670	1-E8	2-17
	1-E15	2-30	45510-HN8-006	1-E3	2-6	51380-HN5-670	1-E9	2-18
43010-HN5-670	1-E15	2-31	45517-MA5-671	1-E3	2-6	51400-HN4-M01	1-E8	2-16
43102-319-000	1-E15	2-31	45518-MB4-671	1-E3	2-6	51400-HN5-M41	1-E8	2-16
43134-300-000	1-E15	2-31	45520-MA5-672	1-E3	2-6	51451-HN5-671	1-E8	2-16
43141-HN5-670	1-E15	2-31	45523-HC5-971	1-E3	2-6	51486-HN5-670	1-E8	2-16
						52100-HN5-670	1-F8	2-49

PART NUMBER INDEX

Part Number	Grid	Page	Part Number	Grid	Page	Part Number	Grid	Page
52101-HN5-670	1-F8	<u>2-49</u>	53526-679-000	1-E6	<u>2-13</u>	80106-HB7-000	1-E7	<u>2-15</u>
52112-HA0-000	1-F1	<u>2-35</u>					1-F11	<u>2-54</u>
52112-MA1-300	1-F8	<u>2-49</u>	(6)			80121-HN5-M50ZA	1-F10	<u>2-52</u>
52190-HN5-670	1-F8	<u>2-49</u>	61100-HN7-000ZA	1-E7	<u>2-14</u>	80122-HN5-M40ZA	1-F10	<u>2-52</u>
52300-HN5-670	1-F8	<u>2-49</u>	61100-HN7-000ZB	1-E7	<u>2-14</u>	80122-HN7-000ZA	1-F10	<u>2-52</u>
52400-HN4-M01	1-F9	<u>2-51</u>	61100-HN7-000ZC	1-E7	<u>2-14</u>	80125-HN7-000ZA	1-F10	<u>2-53</u>
52400-HN5-M41	1-F9	<u>2-51</u>	61103-HM5-850	1-E7	<u>2-14</u>	80126-HN7-000ZA	1-F10	<u>2-53</u>
52486-HN5-670	1-F9	<u>2-51</u>		1-F10	<u>2-52</u>	80210-HN7-010	1-F10	<u>2-53</u>
53100-HN7-000	1-E4	<u>2-8</u>	61103-HN5-670ZB	1-E7	<u>2-14</u>	80211-HN7-000ZA	1-F10	<u>2-53</u>
	1-E4	<u>2-9</u>	61104-357-000	1-E7	<u>2-14</u>	80212-HN7-000	1-F10	<u>2-53</u>
53111-HC3-000	1-E4	<u>2-8</u>	61104-428-000	1-E7	<u>2-14</u>	80214-HM5-850	1-F10	<u>2-53</u>
	1-E4	<u>2-9</u>	61104-HN5-670ZA	1-E7	<u>2-14</u>	80217-HN7-000	1-F10	<u>2-53</u>
53121-HC3-000	1-E4	<u>2-8</u>	61105-HN7-000	1-E7	<u>2-14</u>	80218-HN7-000	1-F10	<u>2-53</u>
	1-E4	<u>2-9</u>	61105-KA8-000	1-F3	<u>2-39</u>	80219-HC4-000	1-E1	<u>2-2</u>
53130-HB3-770	1-E4	<u>2-8</u>	61106-HN7-000	1-E7	<u>2-14</u>		1-F11	<u>2-54</u>
	1-E4	<u>2-9</u>	61107-HN7-000	1-E7	<u>2-14</u>	80220-HN7-000ZA	1-F10	<u>2-53</u>
53141-HC3-000	1-E2	<u>2-4</u>	61108-HN7-000	1-E7	<u>2-14</u>	80221-HN7-000ZA	1-F10	<u>2-53</u>
53142-HC0-770	1-E2	<u>2-4</u>	61312-149-300	1-F11	<u>2-54</u>	80230-HN7-000	1-F11	<u>2-54</u>
53144-HA0-010	1-E2	<u>2-4</u>	61720-HN7-000	1-F2	<u>2-37</u>	80231-HN7-000	1-F11	<u>2-54</u>
53145-HA0-770	1-E2	<u>2-4</u>	61725-HN7-000	1-F2	<u>2-37</u>	80250-HN7-000ZA	1-F10	<u>2-53</u>
53146-HM8-000	1-E2	<u>2-4</u>	61861-HN7-000ZA	1-E7	<u>2-15</u>	80251-HN7-000ZA	1-F10	<u>2-53</u>
53147-HM5-850	1-E2	<u>2-4</u>	61862-HN7-000	1-E7	<u>2-15</u>	80311-HN7-000ZA	1-F10	<u>2-53</u>
53148-HA0-000	1-E2	<u>2-4</u>	61863-HN5-M50ZA	1-E7	<u>2-15</u>	80311-HN7-000ZB	1-F10	<u>2-53</u>
53157-HN8-003	1-E6	<u>2-13</u>	61866-HN7-000ZA	1-E7	<u>2-15</u>	80311-HN7-000ZC	1-F10	<u>2-53</u>
53158-HN8-003	1-E6	<u>2-13</u>	61867-HN7-000	1-E7	<u>2-15</u>	81100-HN7-000ZA	1-F15	<u>2-62</u>
53165-958-010	1-E2	<u>2-4</u>	61868-HN5-M50ZA	1-E7	<u>2-15</u>	81150-HN7-000ZA	1-F15	<u>2-62</u>
53167-958-680	1-E2	<u>2-4</u>	64206-MJ0-000	1-E4	<u>2-8</u>	81155-HN7-000	1-F15	<u>2-62</u>
53172-HN5-M40	1-E2	<u>2-4</u>	66300-HN7-000ZA	1-E7	<u>2-15</u>	81160-HN7-000ZA	1-F15	<u>2-62</u>
53172-HN5-M50	1-E2	<u>2-5</u>	66301-HN7-010	1-E7	<u>2-15</u>	81170-HN7-000ZA	1-F15	<u>2-62</u>
53173-376-000	1-E2	<u>2-5</u>	66302-HN7-010	1-E7	<u>2-15</u>	81300-HN7-000ZA	1-F15	<u>2-62</u>
53175-HA8-680	1-E3	<u>2-6</u>	66303-HM7-000	1-F11	<u>2-54</u>	83119-MG9-000	1-F10	<u>2-53</u>
53176-HN5-M40	1-E3	<u>2-7</u>	66303-HN5-670	1-E7	<u>2-15</u>	83500-HN7-000ZA	1-F3	<u>2-39</u>
53177-HN5-M40	1-E2	<u>2-5</u>				83500-HN7-000ZB	1-F3	<u>2-39</u>
53179-HA6-000	1-E2	<u>2-5</u>	(7)			83500-HN7-000ZC	1-F3	<u>2-39</u>
53179-HN5-M40	1-E2	<u>2-5</u>	77100-HN7-000ZB	1-F5	<u>2-42</u>	83501-152-000	1-F15	<u>2-63</u>
53180-HA8-770	1-E2	<u>2-5</u>	77105-HN5-670	1-F5	<u>2-42</u>	83502-152-000	1-F15	<u>2-63</u>
53187-VM6-000	1-E2	<u>2-5</u>	77106-HB3-000	1-F5	<u>2-42</u>	83551-GE2-000	1-F3	<u>2-39</u>
53191-961-010	1-E2	<u>2-5</u>	77107-958-000	1-F5	<u>2-42</u>	83600-HN5-M40ZA	1-F3	<u>2-39</u>
53192-HN0-A00	1-E2	<u>2-5</u>	77110-HN7-010	1-F10	<u>2-52</u>	83600-HN5-M40ZB	1-F3	<u>2-39</u>
53193-HA0-770	1-E2	<u>2-5</u>	77206-GF0-000	1-F5	<u>2-42</u>	83600-HN5-M40ZC	1-F3	<u>2-39</u>
53193-HF1-830	1-E2	<u>2-5</u>	77207-HA0-000	1-F13	<u>2-58</u>	83601-357-000	1-E4	<u>2-9</u>
53193-HN5-C20	1-E2	<u>2-5</u>				83601-MB0-000	1-E1	<u>2-2</u>
53205-HN5-672ZA	1-E4	<u>2-9</u>	(8)			83642-HM5-A10	1-F15	<u>2-63</u>
53205-HN5-A10ZA	1-G2	<u>2-68</u>	80100-HN4-M00ZA	1-F10	<u>2-52</u>	83650-HN5-M40	1-F3	<u>2-39</u>
53205-HN7-000ZA	1-E4	<u>2-8</u>	80100-HN4-M00ZB	1-F10	<u>2-52</u>	83660-HN5-M40	1-F4	<u>2-40</u>
53206-HM8-000ZA	1-E4	<u>2-9</u>	80100-HN4-M00ZC	1-F10	<u>2-52</u>	83670-HN5-M40ZA	1-F4	<u>2-40</u>
53207-HN5-A10	1-E4	<u>2-8</u>	80100-HN7-000ZA	1-F10	<u>2-52</u>	83670-HN5-M40ZB	1-F4	<u>2-40</u>
	1-G2	<u>2-68</u>	80100-HN7-000ZB	1-F10	<u>2-52</u>	83670-HN5-M40ZC	1-F4	<u>2-40</u>
53220-HN7-000	1-E5	<u>2-11</u>	80100-HN7-000ZC	1-F10	<u>2-52</u>	83700-HN7-000ZA	1-F4	<u>2-40</u>
53221-HM7-004	1-E5	<u>2-11</u>	80100-HN7-000ZB	1-F10	<u>2-52</u>	83700-HN7-000ZB	1-F4	<u>2-40</u>
53223-HC4-000	1-E5	<u>2-11</u>	80100-HN7-000ZC	1-F10	<u>2-52</u>	83700-HN7-000ZC	1-F4	<u>2-40</u>
53225-HM7-000	1-E5	<u>2-11</u>	80101-HN7-000	1-F11	<u>2-55</u>	83701-HN7-300	1-F4	<u>2-40</u>
53235-HN4-670	1-E5	<u>2-11</u>	80102-HN5-670	1-F10	<u>2-52</u>	84601-HC4-000	1-F11	<u>2-54</u>
53235-HN5-670	1-E5	<u>2-11</u>	80102-HN7-000	1-F10	<u>2-52</u>	84906-118-000	1-E2	<u>2-5</u>
53310-HN7-000	1-E5	<u>2-11</u>	80102-KFJ-900	1-F6	<u>2-44</u>	86150-HN8-004	1-E4	<u>2-8</u>
53521-HN5-670	1-E6	<u>2-13</u>				87121-HN7-000ZA	1-G1	<u>2-66</u>

PART NUMBER INDEX

Part Number	Grid	Page	Part Number	Grid	Page	Part Number	Grid	Page
87121-HN7-000ZB	1-G1	2-66	90012-426-000	1-C2	1-4	90145-MS9-612	1-E3	2-7
87121-HN7-000ZC	1-G1	2-66	90012-HN5-670	1-F6	2-45	90151-HA7-670	1-E15	2-31
87122-HN7-000ZA	1-G1	2-66	90014-HN5-M00	1-C7	1-14	90151-HC5-000	1-E8	2-17
87122-HN7-000ZB	1-G1	2-66	90022-MG8-000	1-C3	1-6		1-E9	2-18
87122-HN7-000ZC	1-G1	2-66	90031-HC0-000	1-C10	1-21		1-E12	2-24
87123-HN7-000ZA	1-G1	2-66	90031-HM7-000	1-C10	1-21	90154-HC5-000	1-E12	2-24
87124-HN7-000ZA	1-G1	2-66	90041-PG6-004	1-F14	2-61	90163-SZ3-000	1-E8	2-16
87124-HN7-000ZB	1-G1	2-66		1-G3	2-70	90183-HM5-850	1-F6	2-45
87124-HN7-000ZC	1-G1	2-66	90052-ZA0-800	1-F11	2-55	90190-MG3-000	1-F2	2-36
87126-HN5-M40ZA	1-G1	2-66	90071-MB0-000	1-C10	1-20	90201-HA0-000	1-C1	1-2
87126-HN5-M40ZB	1-G1	2-66	90081-HB3-000	1-C2	1-4		1-C2	1-4
87126-HN5-M40ZC	1-G1	2-67	90081-HN5-670	1-C15	1-31	90202-HA0-000	1-C1	1-2
87126-HN5-M50ZA	1-G1	2-66	90084-KY2-000	1-C8	1-16		1-C2	1-5
87126-HN5-M50ZB	1-G1	2-66	90089-KR0-000	1-C9	1-18	90206-250-000	1-C2	1-5
87126-HN5-M50ZC	1-G1	2-66	90101-HM8-000	1-F3	2-38	90213-S73-003	1-E5	2-11
87127-HN7-000ZA	1-G1	2-66	90101-HN7-000	1-F3	2-38	90235-HM7-000	1-C6	1-13
87127-HN7-000ZB	1-G1	2-66	90101-HN8-000	1-E12	2-24	90236-HN5-M00	1-C6	1-13
87127-HN7-000ZC	1-G1	2-66	90102-HN5-670	1-F10	2-53	90242-MB0-000	1-F2	2-36
87504-HM5-A10	1-F16	2-64		1-F11	2-54	90244-HA0-000	1-E12	2-24
87505-HN4-670	1-F16	2-64	90103-147-000	1-F13	2-58	90301-473-003	1-C8	1-16
87505-HN5-670	1-F16	2-64	90103-HA0-300	1-E14	2-28	90301-HM8-000	1-F6	2-45
87508-HM5-930	1-F16	2-64	90103-HN0-A60	1-E15	2-30	90304-HM5-A80	1-E14	2-28
87511-HC4-840	1-F16	2-64	90104-HN0-A60	1-E14	2-28	90304-HM7-A10	1-E15	2-30
87512-HC4-840	1-F16	2-64	90105-MCE-750	1-C15	1-31	90305-HC0-770	1-E4	2-8
87518-HB2-770	1-F16	2-64	90106-KBV-000	1-F15	2-62		1-E4	2-9
87543-HM7-700	1-F16	2-64	90107-HC5-000	1-E3	2-7		1-E8	2-16
87565-HN4-M00ZA	1-F16	2-64	90109-371-000	1-E12	2-24		1-E8	2-17
87565-HN4-M00ZB	1-F16	2-64		1-E15	2-31		1-E9	2-18
87565-HN4-M00ZC	1-F16	2-64		1-F1	2-35		1-E12	2-25
87565-HN4-M10ZA	1-F16	2-64	90111-162-000	1-E7	2-15		1-F8	2-49
87565-HN4-M10ZB	1-F16	2-64	90111-187-000	1-F4	2-40		1-F9	2-51
87565-HN4-M10ZC	1-F16	2-65	90111-197-890	1-F7	2-47	90305-HC4-000	1-E5	2-11
87565-HN5-M40ZA	1-F16	2-65		1-F14	2-61		1-E6	2-13
87565-HN5-M40ZB	1-F16	2-65		1-G3	2-70	90305-HM5-A80	1-E14	2-28
87565-HN5-M40ZC	1-F16	2-65	90111-KT1-780	1-E9	2-18	90309-428-731	1-E12	2-25
87565-HN5-M50ZA	1-F16	2-65	90111-KW3-003	1-F4	2-40	90309-KF0-003	1-E12	2-25
87565-HN5-M50ZB	1-F16	2-65		1-F10	2-53	90310-HB9-000	1-E8	2-17
87565-HN5-M50ZC	1-F16	2-65	90114-HM8-000	1-E2	2-5		1-E9	2-18
89102-538-000	1-F15	2-63	90114-MA5-671	1-E3	2-7		1-E9	2-19
89103-538-000	1-F15	2-63	90114-MG9-770	1-E4	2-8		1-E10	2-20
89210-GBJ-J00	1-F15	2-63		1-F4	2-40	90312-HM5-670	1-F8	2-49
89210-GBJ-J10	1-F15	2-63		1-G2	2-68	90314-HM5-A10	1-E14	2-28
89213-968-000	1-F15	2-63	90115-HA6-000	1-E2	2-5		1-E15	2-30
89227-HN5-A10	1-F15	2-63	90115-HA7-651	1-E13	2-27	90355-469-000	1-F8	2-49
89301-HA0-771	1-F15	2-63	90116-KCY-671	1-C4	1-9	90402-HA0-000	1-E5	2-11
			90118-968-000	1-F8	2-48	90403-KN7-670	1-C15	1-30
(9)			90120-HC4-000	1-F9	2-51	90406-HN5-670	1-C6	1-13
			90120-HN7-000	1-F9	2-51	90407-HN5-670	1-C6	1-13
90001-HN0-670	1-C6	1-13	90121-HM5-930	1-F8	2-49	90413-GE0-000	1-C4	1-9
90002-HN5-670	1-C9	1-19	90122-HM5-930	1-F8	2-49		1-C5	1-10
90004-GHB-670	1-C8	1-16	90122-MN4-008	1-C10	1-20	90432-MR1-000	1-C6	1-13
90009-HN5-670	1-C14	1-29	90133-MB0-000	1-E12	2-24	90435-HB3-000	1-C3	1-6
90010-GE0-710	1-E1	2-2		1-F1	2-35	90441-706-000	1-C1	1-2
	1-F11	2-54	90134-HA0-000	1-E12	2-24	90451-107-000	1-C13	1-26
90011-HN0-A00	1-F6	2-45		1-F2	2-36	90451-GF6-000	1-C14	1-29
90011-HN5-670	1-F6	2-45	90135-HA7-770	1-F2	2-36	90452-166-600	1-C8	1-17

PART NUMBER INDEX

Part Number	Grid	Page	Part Number	Grid	Page	Part Number	Grid	Page
90452-HB3-000	1-C13	<u>1-26</u>	90690-GHB-641	1-F13	2-58	91206-968-003	1-E16	2-32
90453-107-000	1-C15	<u>1-30</u>	90690-GHB-651	1-F13	2-58		1-F7	2-47
90453-KZ4-000	1-C15	<u>1-30</u>	90690-GHB-661	1-F13	2-58	91206-968-004	1-F7	2-47
90454-107-000	1-C13	<u>1-26</u>	90690-GHB-671	1-F13	2-58	91209-HN5-671	1-E10	2-20
90455-HN5-670	1-C13	<u>1-26</u>	90690-GHB-681	1-F13	2-59	91210-HA0-003	1-E2	2-5
90456-333-000	1-C7	<u>1-14</u>	90741-HN5-670	1-C12	<u>1-24</u>	91210-HA0-004	1-E2	2-5
90456-MA6-000	1-C9	<u>1-19</u>	91001-436-003	1-E12	2-25	91251-HM8-003	1-F2	2-36
90457-HB3-000	1-C13	<u>1-26</u>	91001-HN6-003	1-C13	<u>1-26</u>	91251-HN5-671	1-E12	2-25
90457-HC4-000	1-C6	<u>1-13</u>	91001-MN8-911	1-E12	2-25	91252-HA0-003	1-F2	2-36
90458-HN0-670	1-C6	<u>1-13</u>	91002-HA0-008	1-C12	<u>1-24</u>	91252-HA0-004	1-F2	2-36
90459-357-000	1-C13	<u>1-26</u>	91002-KY4-901	1-E12	2-25	91252-HC5-003	1-E12	2-25
90459-KB4-670	1-C6	<u>1-13</u>	91002-PL0-018	1-C13	<u>1-26</u>	91252-HM7-003	1-E16	2-32
90464-HN5-670	1-C13	<u>1-26</u>	91003-HA7-672	1-C12	<u>1-24</u>	91253-HM7-003	1-E16	2-32
90465-MM9-000	1-C1	<u>1-2</u>	91003-HN0-671	1-C13	<u>1-26</u>	91253-MBR-003	1-E8	2-16
	1-C2	<u>1-5</u>	91005-657-008	1-C13	<u>1-26</u>	91254-KS6-003	1-F9	2-51
90471-580-000	1-E12	2-25	91008-374-003	1-C14	<u>1-29</u>	91255-HA0-681	1-F8	2-49
	1-E15	2-31	91008-HC4-004	1-C6	<u>1-13</u>	91255-HM7-003	1-E15	2-30
	1-F2	2-36	91009-HF1-671	1-C4	<u>1-9</u>	91256-HC5-003	1-E10	2-20
90501-HA0-000	1-E2	2-5		1-C5	<u>1-10</u>	91257-MAY-003	1-E14	2-29
90502-GG2-000	1-E1	2-3	91010-HM7-004	1-C12	<u>1-24</u>	91258-HB3-003	1-E5	2-11
	1-G2	2-68	91012-HN5-671	1-C15	<u>1-30</u>	91261-HN5-671	1-E14	2-29
90502-HB3-000	1-C14	<u>1-29</u>	91012-KF0-000	1-E12	2-25	91263-HA7-771	1-E14	2-29
90503-KE1-000	1-F10	2-53	91021-HN0-671	1-C4	<u>1-9</u>	91265-HA8-003	1-E15	2-30
90504-HA0-000	1-E2	2-5	91050-HN0-A11	1-C4	<u>1-9</u>	91268-HN0-A01	1-F8	2-49
90512-303-000	1-F7	2-47	91051-719-003	1-C14	<u>1-29</u>	91271-HC4-004	1-F2	2-36
90521-427-770	1-E4	2-8	91051-HC4-003	1-F2	2-36	91302-001-020	1-E12	2-25
	1-E4	<u>2-9</u>	91051-HC5-003	1-E10	2-20		1-F2	2-36
90545-044-000	1-C8	<u>1-16</u>	91052-HC5-003	1-E12	2-25	91302-HM7-A00	1-E12	2-25
90545-300-000	1-C8	<u>1-17</u>	91052-HC5-004	1-E12	2-25	91302-HN5-671	1-E12	2-25
	1-E3	<u>2-7</u>	91053-HC4-000	1-E14	2-28	91302-KF0-003	1-C4	<u>1-9</u>
90601-329-000	1-C13	<u>1-26</u>	91053-HC4-003	1-E14	2-29		1-C5	<u>1-11</u>
90601-430-000	1-E12	2-25	91055-HN5-681	1-F8	2-49	91303-377-000	1-C8	<u>1-17</u>
90603-HN7-000	1-E5	2-11	91057-HA0-681	1-E16	2-32	91303-428-003	1-C2	1-5
90605-166-720	1-C6	<u>1-13</u>	91057-HA8-004	1-E16	2-32	91303-679-003	1-C15	<u>1-31</u>
90605-200-000	1-C13	<u>1-26</u>	91060-HN0-A11	1-C4	<u>1-9</u>	91303-HA0-004	1-C7	<u>1-14</u>
90630-751-000	1-E2	2-5	91061-HA7-672	1-E12	2-25		1-E12	2-25
90649-SC2-003	1-F12	2-57		1-F2	2-36	91303-HM7-A00	1-E12	2-25
90650-MA6-720	1-G2	2-68	91061-HC4-003	1-E12	2-25	91304-HA5-003	1-C7	<u>1-14</u>
90651-KV6-003	1-E2	2-5		1-F2	2-36	91304-HN5-670	1-C4	<u>1-9</u>
	1-F7	2-47	91066-HC4-004	1-F8	2-49		1-C5	<u>1-11</u>
	1-F13	2-58	91070-HN0-A11	1-C4	<u>1-9</u>	91305-HN5-671	1-C1	1-2
	1-F13	2-59	91071-KS6-004	1-C4	<u>1-9</u>	91306-329-000	1-E12	2-25
90651-MA5-671	1-E3	2-7		1-C5	<u>1-10</u>	91307-KF0-003	1-C10	<u>1-21</u>
90652-HC4-003	1-F13	2-58	91072-MY1-005	1-F9	2-51	91308-HN0-A10	1-C4	<u>1-9</u>
90652-KT1-771	1-E1	2-2	91101-HA0-004	1-C6	<u>1-13</u>	91308-MC7-000	1-C4	<u>1-9</u>
	1-E2	2-5	91108-PE6-008	1-C9	<u>1-19</u>		1-C5	<u>1-11</u>
90653-HC4-900	1-E7	2-15	91201-965-000	1-C8	<u>1-17</u>	91309-425-003	1-C10	<u>1-20</u>
	1-F3	2-38	91201-HN5-671	1-C8	<u>1-17</u>	91312-MG7-003	1-C10	<u>1-20</u>
	1-F4	2-40	91201-KM1-005	1-C4	<u>1-9</u>	91314-HN6-000	1-F14	2-60
	1-F10	2-53	91202-444-023	1-C14	<u>1-29</u>	91316-MJ8-003	1-C4	<u>1-9</u>
90654-HM8-A60	1-F6	2-44	91202-HC0-003	1-C4	<u>1-9</u>		1-C5	<u>1-11</u>
90662-HN5-M00	1-F6	2-44		1-C8	<u>1-17</u>	91320-HM7-702	1-E16	2-32
90673-SB2-000	1-F14	2-61	91203-HN5-671	1-C15	<u>1-30</u>		1-F9	2-50
	1-G3	2-70	91204-HC4-005	1-C4	<u>1-9</u>	91320-MB0-000	1-C10	<u>1-20</u>
90676-HN5-M00	1-F6	2-44		1-C5	1-11	91321-PF4-004	1-C8	1-17
90683-SA0-003	1-E3	<u>2-7</u>	91205-950-003	1-E5	<u>2-11</u>		1-G2	<u>2-68</u>

PART NUMBER INDEX

Part Number	Grid	Page	Part Number	Grid	Page	Part Number	Grid	Page
91347-PY3-000	1-E9	<u>2-19</u>	93904-26210	1-E7	2-15	94201-30400	1-F7	2-47
91351-HM8-A51	1-C4	1-9	93913-24280	1-F3	2-38	94201-30450	1-E6	2-12
91355-HC4-003	1-E16	2-32	93913-24480	1-F14	2-61		1-E14	2-29
91356-HA7-651	1-E14	2-29		1-G3	2-70		1-F7	2-47
91357-HM7-003	1-E13	2-27	94001-06070-0S	1-E2	2-5	94201-40300	1-E14	2-29
91361-MT3-003	1-C8	1-17	94001-08000-0S	1-E13	2-27	94201-40400	1-E15	2-30
91404-VM6-000	1-F4	2-40	94001-08080-05	1-E13	2-27	94301-08100	1-C4	1-9
91405-MG1-000	1-F10	2-53	94001-08080-0S	1-E13	2-27	94301-08140	1-C4	1-9
91410-679-000	1-C8	1-17	94001-08200-0S	1-E13	2-27		1-C5	1-11
	1-G2	2-68	94002-06000-0S	1-E2	2-5		1-C8	1-17
91410-KT7-000	1-F10	2-53	94002-06390-0S	1-F11	2-55		1-C10	1-20
91413-679-000	1-F14	2-60	94030-08000	1-C4	1-9		1-C10	1-21
91504-SD5-901	1-F12	2-57		1-C5	1-11	94301-08200	1-C7	1-14
91532-HA0-020	1-E2	2-5	94031-12280	1-E6	2-13	94301-10120	1-C7	1-14
91549-MW0-790ZA	1-F6	2-44	94050-06000	1-E3	2-7	94301-12160	1-C2	1-5
	1-F10	2-53		1-F6	2-44		1-C3	1-7
91556-SK7-003	1-F3	2-38		1-F7	2-46	94510-12000	1-C8	1-17
91558-SD5-003	1-C16	1-32		1-F12	2-57		1-C14	1-29
92800-12000	1-C10	1-21	94050-06070	1-E1	2-3	94514-32000	1-E9	2-19
92900-08025-0B	1-C1	1-2		1-G2	2-69		1-E10	2-21
92900-10028-0E	1-F2	2-36	94050-08000	1-E16	2-32	94514-34000	1-E8	2-17
93402-06012-08	1-E13	2-27		1-F7	2-46		1-E9	2-18
93404-06025-00	1-F6	2-44		1-F7	2-47	94520-50000	1-E10	2-21
93412-06012-08	1-E13	2-27	94050-10000	1-F13	2-59	94520-58000	1-E16	2-32
93500-04008-0H	1-D1	1-34	94101-05800	1-C4	1-9	95002-02079	1-D1	1-34
93500-04008-1H	1-D1	1-34	94102-08800	1-C4	1-9	95002-02089	1-D1	1-35
93500-04014-0H	1-D1	1-34		1-C5	1-11	95002-02120	1-F3	2-38
93500-04014-1H	1-D1	1-34	94103-06000	1-F7	2-46	95002-02659	1-D1	1-35
93500-04016-0G	1-E2	2-5	94103-06700	1-F7	2-46	95002-35000	1-E12	2-25
93500-05014-0G	1-E2	2-5	94109-12000	1-C10	1-21		1-E13	2-27
93500-05018-0G	1-E2	2-5	94111-08800	1-E13	2-27		1-E16	2-32
93500-05025-0G	1-E2	2-5	94201-20220	1-E5	2-11		1-F2	2-36
93500-05028-0G	1-C1	1-2		1-E6	2-13	95003-07008-60M	1-F14	2-61
	1-E2	2-5	94201-20250	1-E5	2-11		1-G3	2-70
93600-04012-0G	1-E3	2-7		1-E6	2-13	95005-35001-20M	1-D1	1-35
93600-04012-1G	1-E3	2-7	94201-20280	1-E5	2-11	95005-35001-30M	1-E12	2-25
93892-04012-08	1-D1	1-34		1-E6	2-13		1-E13	2-27
93892-04012-18	1-D1	1-34	94201-20320	1-E5	2-11		1-E16	2-32
93893-04014-07	1-E3	2-7		1-E6	2-13		1-F1	2-35
93893-04020-07	1-E2	2-5	94201-20350	1-E5	2-11	95005-35001-50M	1-D1	1-35
93894-04020-00	1-F14	2-61		1-E6	2-13	95005-45001-50M	1-D1	1-35
	1-G3	2-70	94201-25200	1-E16	2-32	95011-63000	1-F3	2-38
93894-05016-07	1-F4	2-40	94201-25250	1-E16	2-32	95012-11001	1-F3	2-38
93894-05020-08	1-F10	2-53	94201-25300	1-E16	2-32	95012-17001	1-F11	2-55
93894-06020-08	1-E5	2-10	94201-30180	1-E8	2-17	95015-32001	1-E16	2-32
93894-06020-0H	1-E5	2-10		1-E9	2-18	95018-48250	1-F9	2-50
93903-24220	1-F4	2-41		1-E9	2-19	95018-90320	1-F9	2-50
93903-24320	1-E7	2-15		1-E10	2-21	95700-06018-00	1-C2	1-5
93903-24420	1-E1	2-3	94201-30250	1-E6	2-12		1-F14	2-60
	1-F11	2-54		1-E14	2-29	95701-06012-00	1-F3	2-38
	1-G2	2-69		1-F7	2-47		1-F8	2-48
93903-25220	1-E1	2-2	94201-30300	1-E6	2-12		1-F10	2-53
	1-E7	2-15		1-E14	2-29		1-F13	2-59
	1-F10	2-53		1-F7	2-47	95701-06012-08	1-F5	2-42
	1-F11	2-54	94201-30400	1-E6	2-12	95701-06014-00	1-C8	1-17
	1-F11	2-55		1-E14	2-29		1-E7	2-15

PART NUMBER INDEX

Part Number	Grid	Page	Part Number	Grid	Page	Part Number	Grid	Page
95701-06014-00	1-F11	2-55	96001-06012-00	1-C1	1-2			
95701-06016-00	1-C2	1-5	96001-06016-00	1-F3	2-38			
	1-C7	1-14	96001-06016-07	1-E16	2-33			
	1-C13	1-27	96001-06018-00	1-C4	1-9			
	1-C14	1-29		1-C5	1-11			
	1-F12	2-57	96001-06020-00	1-F14	2-60			
95701-06018-00	1-C2	1-5	96001-06022-00	1-C1	1-2			
	1-F14	2-60	96001-06022-07	1-E3	2-7			
95701-06020-00	1-C10	1-21	96100-60040-00	1-C15	1-30			
95701-06022-00	1-E7	2-15	96100-60073-00	1-F2	2-36			
	1-F10	2-53	96100-62020-00	1-C13	1-27			
	1-F14	2-60	96100-62060-00	1-F2	2-36			
95701-06022-08	1-C3	1-6	96150-60041-10	1-E6	2-12			
95701-06025-00	1-C8	1-17	96220-40080	1-C14	1-29			
	1-G2	2-69	96220-40158	1-C7	1-15			
95701-06025-07	1-E2	2-5	96400-10040-00	1-E8	2-16			
	1-E3	2-7	96600-08020-10	1-C14	1-29			
95701-06032-00	1-C10	1-20	96700-06025-08	1-C9	1-18			
95701-06035-00	1-C8	1-17	98069-56916	1-C1	1-3			
95701-06040-00	1-C1	1-2	98069-56926	1-C1	1-3			
	1-C4	1-9	98069-57916	1-C1	1-3			
	1-C11	1-22	98069-57926	1-C1	1-3			
95701-06045-00	1-C4	1-9	98200-41000	1-F12	2-57			
	1-C5	1-11	98200-41500	1-F12	2-57			
	1-C7	1-14	98200-43000	1-F12	2-57			
	1-C8	1-17	99001-10120	1-F15	2-63			
95701-06045-07	1-C4	1-9	99001-14170	1-F15	2-63			
	1-C5	1-11	99002-13500	1-F15	2-63			
	1-C7	1-14	99005-02000	1-F15	2-63			
	1-C8	1-17	99101-HN5-1280	1-D1	1-35			
95701-06045-08	1-C4	1-9	99103-HN5-0420	1-D1	1-35			
95701-06075-00	1-C11	1-22	99108-MY1-1400	1-D1	1-35			
95701-06105-00	1-C4	1-9	99112-HN5-0800	1-D1	1-35			
	1-C5	1-11						
	1-C11	1-22						
95701-06110-00	1-C1	1-2						
95701-06115-00	1-C11	1-22						
95701-08016-07	1-E4	2-8						
	1-E6	2-12						
	1-E12	2-25						
	1-F15	2-62						
	1-G2	2-69						
95701-08022-00	1-F13	2-59						
95701-08035-08	1-E4	2-8						
	1-E5	2-10						
	1-F7	2-46						
95701-08045-00	1-E16	2-32						
95701-10025-00	1-F9	2-50						
95701-10060-00	1-F13	2-59						
95801-08030-00	1-E12	2-25						
95801-08045-00	1-F8	2-48						
95801-10060-00	1-F9	2-50						
95801-10065-00	1-E8	2-17						
	1-E9	2-18						
96001-06010-00	1-E14	2-29						
	1-F12	2-57						

Description

Index

DESCRIPTION INDEX

Description	Grid	Page	Ref	Description	Grid	Page	Ref
(A)				BEARING, ANGULAR (30X50X20) (TOYO)	1-E10	2-20	16
ADJUSTER, TENSIONER	1-C3	1-6	3	BEARING, ANGULAR (7203)	1-F8	2-49	16
ARM A, GEARSHIFT	1-C14	1-28	14	BEARING, BALL (16005) (NTN CORP.)	1-C14	1-29	20
ARM ASSY., L. FR. (LOWER)	1-E9	2-18	6	BEARING, BALL (25X52X15)	1-C13	1-26	32
ARM ASSY., L. (LOWER)	1-E8	2-17	3	BEARING, BALL (62/22) (NACHI)	1-C13	1-26	33
ARM ASSY., L. (UPPER)	1-E8	2-17	5	BEARING, BALL (62/22) (TOYO)	1-C13	1-26	33
	1-E9	2-18	8	BEARING, BALL (6903) (KOYO)	1-C6	1-13	29
ARM ASSY., R. FR. (LOWER)	1-E9	2-18	4	BEARING, NEEDLE (1010) (NTN)	1-C4	1-9	26
ARM ASSY., R. (LOWER)	1-E8	2-17	1	BEARING, NEEDLE (14X24.5X15)	1-E12	2-25	38
ARM ASSY., R. (UPPER)	1-E8	2-17	4		1-F2	2-36	27
	1-E9	2-18	7	BEARING, NEEDLE (14X24.5X15) (KOYO)	1-E12	2-25	38
ARM, GEARSHIFT	1-C14	1-28	10		1-F2	2-36	27
ARM, REVERSE ASSIST	1-E2	2-5	21	BEARING, NEEDLE (20X26X20)	1-F9	2-51	6
ARM, RR. BRAKE	1-E15	2-31	9	BEARING, NEEDLE (25X30X23)	1-C9	1-19	7
ARM, SHIFT DRUM STOPPER	1-C14	1-28	7	BEARING, NEEDLE (28X37X20)	1-C15	1-30	8
ARM, STEERING	1-E5	2-11	5	BEARING, RADIAL BALL (15X32X9)	1-C4	1-9	25
ARM, SUB-GEARSHIFT SPINDLE	1-C14	1-28	15		1-C5	1-10	16
ARM, THROTTLE	1-E2	2-4	11	BEARING, RADIAL BALL (28X58X16)	1-E16	2-32	18
ARM, VALVE ROCKER	1-C2	1-4	6	BEARING, RADIAL BALL (28X58X16) (KOYO)	1-E16	2-32	18
(B)				BEARING, RADIAL BALL (29X52X12) (KOYO)	1-E12	2-25	37
BAG, OWNER'S MANUAL	1-F15	2-63	3	BEARING, RADIAL BALL (29X52X12) (NTN CORP.)	1-E12	2-25	37
BAND A	1-E10	2-20	3	BEARING, RADIAL BALL (32X58X13UU)	1-F8	2-49	15
BAND A, BATTERY	1-F3	2-38	26	BEARING, RADIAL BALL (36)	1-C12	1-24	8
BAND A, EX. PIPE COVER	1-F6	2-45	7	BEARING, RADIAL BALL (40X76X17.5)	1-C12	1-24	10
BAND, AIR CLEANER CONNECTING TUBE (48)	1-F9	2-50	20	BEARING, RADIAL BALL (43X68X13)	1-F2	2-36	26
BAND, AIR CLEANER CONNECTING TUBE (90)	1-F9	2-50	21	BEARING, RADIAL BALL (6004)	1-C15	1-30	10
BAND, AIR CONNECTING TUBE (62)	1-F6	2-44	25		1-E14	2-28	15
BAND, AIR CONNECTING TUBE (76)	1-F6	2-44	26		1-E14	2-29	15
BAND B	1-E10	2-20	4	BEARING, RADIAL BALL (6004UU)	1-E6	2-12	16
BAND B, EX. PIPE COVER	1-F6	2-45	9	BEARING, RADIAL BALL (6007)	1-F2	2-36	34
BAND, BOOT (D20)	1-E12	2-25	45	BEARING, RADIAL BALL (6202)	1-C13	1-27	35
BAND, BOOT (D27)	1-E12	2-25	41	BEARING, RADIAL BALL (6206)	1-F2	2-36	35
BAND C	1-E10	2-20	6	BEARING, RADIAL BALL (626ZZ)	1-C4	1-9	28
BAND C, EX. PIPE COVER	1-F6	2-45	10	BEARING, RADIAL BALL (6322) (TNT)	1-E12	2-25	35
BAND, CONNECTING TUBE (54)	1-F6	2-44	24	BEARING, RADIAL BALL (63/22)	1-E12	2-25	35
BAND, EX. MUFFLER	1-F6	2-45	8	BEARING, RADIAL BALL (696ZZ)	1-C4	1-9	27
BAND F, BATTERY	1-F11	2-55	14	BEARING, RADIAL BALL (698ZZ)	1-C4	1-9	29
BAND, INSULATOR	1-C1	1-2	7	BEARING, RADIAL BALL RSH (6203)	1-C12	1-24	9
BAND, TOOL BOX	1-F10	2-53	15	BEARING, RADIAL BALL SPECIAL (6202U)	1-C13	1-26	31
BAND, WIRE	1-E1	2-2	8	BEARING, RR. SWINGARM PIVOT (TOYO)	1-C4	1-9	30
	1-E2	2-5	34		1-C5	1-10	17
	1-E2	2-5	35	BEARING SET, NEEDLE	1-E11	2-22	1
	1-F7	2-47	11		1-F1	2-34	1
	1-F13	2-58	13	BODY, AIR CLEANER	1-F5	2-43	2
	1-F13	2-59	24	BODY, TOOL BOX	1-F15	2-63	2
	1-F13	2-59	25	BOLT	1-C15	1-31	15
BAND, WIRE HARNESS	1-G2	2-68	15	BOLT (8X17) (14.9)	1-E12	2-24	24
BAND, WIRE HARNESS (WHITE)	1-F12	2-57	15	BOLT A, PIVOT	1-F8	2-49	10
BAR B, HANDLE	1-F15	2-63	13	BOLT, ARRESTER	1-F6	2-45	17
BATTERY (YTX14-BS) (YUASA)	1-F11	2-55	1	BOLT B, PIVOT	1-F8	2-49	11
BEARING (16005) (KOYO)	1-C14	1-29	20	BOLT, CLUTCH ADJUSTING	1-C4	1-8	16
					1-C5	1-10	13
				BOLT, DRAIN PLUG (12MM)	1-C10	1-21	15
				BOLT, ENGINE HANGER	1-F13	2-58	12
				BOLT, FLANGE (10X25)	1-F9	2-50	22

DESCRIPTION INDEX

Description	Grid	Page	Ref	Description	Grid	Page	Ref
BOLT, FLANGE (10X35)	1-E12	2-24	27	BOLT, FLANGE (6X20)	1-F14	2-60	9
	1-F2	2-36	21	BOLT, FLANGE (6X22)	1-C1	1-2	17
BOLT, FLANGE (10X40)	1-E8	2-16	7		1-C3	1-6	6
BOLT, FLANGE (10X45)	1-E8	2-16	4		1-E3	2-7	29
BOLT, FLANGE (10X48)	1-E12	2-24	29		1-E7	2-15	30
BOLT, FLANGE (10X50)	1-F9	2-51	4		1-F10	2-53	34
BOLT, FLANGE (10X55)	1-F9	2-51	3		1-F14	2-60	8
BOLT, FLANGE (10X60)	1-F9	2-50	23	BOLT, FLANGE (6X25)	1-C8	1-17	26
	1-F13	2-59	23		1-E2	2-5	45
BOLT, FLANGE (10X62)	1-E8	2-17	10		1-E3	2-7	28
	1-E9	2-18	14		1-G2	2-69	20
	1-E12	2-24	28	BOLT, FLANGE (6X25) (NSHF)	1-C8	1-16	13
BOLT, FLANGE (10X65)	1-E8	2-17	10	BOLT, FLANGE (6X32)	1-C10	1-20	13
	1-E9	2-18	14	BOLT, FLANGE (6X35)	1-C8	1-17	27
BOLT, FLANGE (5X25)	1-C7	1-14	10	BOLT, FLANGE (6X40)	1-C1	1-2	14
BOLT, FLANGE (6MM)	1-E7	2-15	24		1-C4	1-9	44
	1-E9	2-18	9		1-C11	1-22	19
	1-F4	2-40	15		1-F6	2-45	16
	1-F7	2-47	9	BOLT, FLANGE (6X45)	1-C4	1-9	45
	1-F14	2-61	10		1-C4	1-9	46
	1-G3	2-70	11		1-C5	1-11	26
BOLT, FLANGE (6X10)	1-E3	2-7	19		1-C7	1-14	17
	1-E14	2-29	21		1-C8	1-17	28
	1-F6	2-45	14	BOLT, FLANGE (6X75)	1-C11	1-22	20
	1-F6	2-45	15	BOLT, FLANGE (8X12)	1-F2	2-36	23
	1-F12	2-57	18	BOLT, FLANGE (8X16)	1-E4	2-8	14
BOLT, FLANGE (6X105)	1-C4	1-9	47		1-E6	2-12	15
	1-C5	1-11	27		1-E12	2-25	49
	1-C11	1-22	21		1-F15	2-62	10
BOLT, FLANGE (6X110)	1-C1	1-2	15		1-G2	2-69	21
BOLT, FLANGE (6X115)	1-C11	1-22	22	BOLT, FLANGE (8X20)	1-E13	2-27	26
BOLT, FLANGE (6X12)	1-C1	1-2	16	BOLT, FLANGE (8X22)	1-F13	2-59	22
	1-F3	2-38	27	BOLT, FLANGE (8X27)	1-E12	2-24	26
	1-F5	2-42	6		1-F1	2-35	20
	1-F8	2-48	15	BOLT, FLANGE (8X30)	1-E12	2-25	50
	1-F10	2-53	33	BOLT, FLANGE (8X35)	1-E4	2-8	15
	1-F13	2-59	21		1-E5	2-10	18
BOLT, FLANGE (6X14)	1-C8	1-17	25		1-F7	2-46	23
	1-C8	1-17	33	BOLT, FLANGE (8X45)	1-E16	2-32	30
	1-C15	1-31	17		1-F8	2-48	16
	1-E7	2-15	29	BOLT, HANDLE LEVER PIVOT	1-E2	2-5	30
	1-F11	2-55	15	BOLT, HEX. (6X25)	1-C6	1-13	19
BOLT, FLANGE (6X16)	1-C2	1-5	23	BOLT, MUFFLER MOUNTING	1-F6	2-45	12
	1-C7	1-14	16	BOLT, OIL (10X22)	1-E3	2-7	21
	1-C13	1-27	34	BOLT, R. HANDLEBAR PIVOT	1-E3	2-7	20
	1-C14	1-29	23	BOLT, SEALING (8MM)	1-E12	2-24	25
	1-E16	2-33	31		1-E15	2-31	15
	1-F3	2-38	28		1-F1	2-35	19
	1-F12	2-57	17	BOLT, SETTING	1-C10	1-20	4
BOLT, FLANGE (6X18)	1-C2	1-5	24	BOLT, SOCKET (5MM)	1-C4	1-9	23
	1-C4	1-9	48	BOLT, SOCKET (5X12)	1-C9	1-18	6
	1-C5	1-11	28	BOLT, SOCKET (6MM)	1-C9	1-19	5
	1-F14	2-60	7	BOLT, SOCKET (6X25)	1-C9	1-18	7
BOLT, FLANGE (6X20)	1-C10	1-21	18	BOLT, SOCKET (8X20)	1-C14	1-29	25
	1-F8	2-48	19	BOLT, SPECIAL (12MM)	1-C15	1-31	16
				BOLT, SPECIAL (6X32)	1-F3	2-38	19

DESCRIPTION INDEX

Description	Grid	Page	Ref	Description	Grid	Page	Ref
BOLT, SPECIAL (8MM)	1-C2	<u>1-4</u>	17	BUSH, THROTTLE PIVOT	1-E2	<u>2-4</u>	15
BOLT, SPECIAL FLANGE (6X15.2)	1-C14	<u>1-29</u>	17				
BOLT, STUD (10X166)	1-C10	<u>1-21</u>	12	(C)			
BOLT, STUD (10X206)	1-C10	<u>1-21</u>	13	CABLE, BATTERY GROUND	1-F11	<u>2-55</u>	6
BOLT, STUD (10X22)	1-F2	<u>2-36</u>	22	CABLE, CHOKE	1-E2	<u>2-4</u>	2
BOLT, STUD (10X25)	1-E15	<u>2-31</u>	16	CABLE, FOOT BRAKE	1-F7	<u>2-47</u>	3
BOLT, STUD (10X28)	1-F2	<u>2-36</u>	32	CABLE, FRAME GROUND	1-F12	<u>2-56</u>	10
BOLT, STUD (8X25)	1-C1	<u>1-2</u>	12	CABLE, HAND BRAKE	1-E2	<u>2-4</u>	8
BOLT, WHEEL (10X32)	1-E15	<u>2-30</u>	7	CABLE, RELAY BATTERY	1-F11	<u>2-55</u>	2
BOLT, WHEEL (10X33)	1-E14	<u>2-28</u>	11	CABLE, REVERSE ASSIST	1-E2	<u>2-4</u>	3
BOLT, WHEEL (10X38)	1-E14	<u>2-28</u>	12	CABLE, STARTER MOTOR	1-F11	<u>2-55</u>	3
BOLT-WASHER (6X12)	1-E13	<u>2-27</u>	28	CABLE, THROTTLE	1-E2	<u>2-4</u>	1
BOLT-WASHER (6X25)	1-F6	<u>2-44</u>	28	CAM, RR. BRAKE	1-E15	<u>2-31</u>	7
BOOT	1-E3	<u>2-6</u>	6	CAMSHAFT	1-C2	<u>1-4</u>	2
BOOT B, PROPELLER	1-E11	<u>2-22</u>	8	CAP	1-E1	<u>2-3</u>	5
BOOT, HEADLIGHT BRACKET	1-F11	<u>2-54</u>	6		1-E7	<u>2-14</u>	2
BOOT, INBOARD	1-E10	<u>2-20</u>	2		1-G2	<u>2-68</u>	8
BOOT, JOINT	1-F8	<u>2-49</u>	6	CAP (14MM)	1-C8	<u>1-16</u>	14
BOOT, OUTBOARD	1-E10	<u>2-20</u>	1	CAP ASSY., FUEL TANK	1-F2	<u>2-37</u>	10
BOX, TOOL	1-F10	<u>2-53</u>	12	CAP ASSY., NOISE SUPPRESSOR	1-F12	<u>2-56</u>	5
	1-F15	<u>2-63</u>	1	CAP, BLEEDER	1-E13	<u>2-26</u>	6
BOX, UTILITY	1-F3	<u>2-39</u>	9	CAP, FR. LUGGAGE CARRIER	1-F15	<u>2-62</u>	5
BRACKET, BRAKE LEVER	1-E2	<u>2-4</u>	18	CAP, HANDLE COVER *NH1* (BLACK)	1-E4	<u>2-9</u>	13
	1-E2	<u>2-5</u>	18	CAP, HEADLIGHT TAIL	1-E7	<u>2-15</u>	22
BRACKET, FR.	1-C10	<u>1-20</u>	7		1-F11	<u>2-54</u>	7
BRACKET, FR. GEAR CASE	1-E12	<u>2-24</u>	23	CAP, KNOB	1-C15	<u>1-31</u>	4
BRACKET, HEAD HANGER	1-F13	<u>2-58</u>	10	CAP, LOCK NUT	1-F8	<u>2-49</u>	13
BRACKET, LOCK LEVER	1-F5	<u>2-42</u>	3	CAP, MASTER CYLINDER	1-E3	<u>2-6</u>	8
BRACKET, STEP	1-F7	<u>2-47</u>	8	CAP, OIL FILLER	1-C10	<u>1-21</u>	8
BULB, HEADLIGHT	1-E1	<u>2-2</u>	4	CAP, PARKING LEVER	1-E2	<u>2-5</u>	27
BULB, TAILLIGHT (12V21/5W) (HD) (STANLEY)	1-F11	<u>2-54</u>	5	CAP, PIN	1-E13	<u>2-26</u>	12
BULB, WEDGE BASE (12V1.7W) (STANLEY)	1-E4	<u>2-9</u>	1	CAP, REVERSE PIN	1-E2	<u>2-5</u>	24
BULK HOSE, VACUUM (3.5X1000) (3.5X100)	1-D1	<u>1-35</u>	36	CAP, SPEED SENSOR	1-C8	<u>1-17</u>	29
BULK HOSE, VACUUM (3.5X1000) (3.5X120)	1-E13	<u>2-27</u>	32	CAP, VALVE ADJ.	1-E11	<u>2-22</u>	2
BULK HOSE, VACUUM (3.5X1000) (3.5X140)	1-D1	<u>1-35</u>	37		1-F1	<u>2-34</u>	2
BULK HOSE, VACUUM (3.5X1000) (3.5X200)	1-D1	<u>1-35</u>	38	CAP, WHEEL CENTER	1-E14	<u>2-28</u>	9
BULK HOSE, VACUUM (3.5X1000) (3.5X250)	1-E12	<u>2-25</u>	48		1-E15	<u>2-30</u>	6
	1-E13	<u>2-27</u>	33	CARBURETOR ASSY. (VE94E A)	1-C16	<u>1-33</u>	15
BULK HOSE, VACUUM (3.5X1000) (3.5X590)	1-E13	<u>2-27</u>	34	CARRIER, FR. LUGGAGE *NH1* (BLACK)	1-F15	<u>2-62</u>	3
BULK HOSE, VACUUM (3.5X1000) (3.5X600)	1-E13	<u>2-27</u>	34	CARRIER, RR. LUGGAGE *NH1* (BLACK)	1-F15	<u>2-62</u>	8
BULK HOSE, VACUUM (3.5X1000) (3.5X760)	1-F1	<u>2-35</u>	15	CASE, RECOIL STARTER	1-C15	<u>1-31</u>	7
BULK HOSE, VACUUM (3.5X1000) (3.5X770)	1-E13	<u>2-27</u>	35	CASE SET, FINAL	1-F1	<u>2-34</u>	4
BULK HOSE, VACUUM (3.5X1000) (3.5X880)	1-E16	<u>2-32</u>	28	CASE SUB-ASSY., FR. GEAR	1-E11	<u>2-22</u>	11
BULK HOSE, VACUUM (3.5X1000) (3.5X900)	1-E13	<u>2-27</u>	36	CASE, THROTTLE LEVER	1-E2	<u>2-4</u>	10
BULK HOSE, VACUUM (4.5X1000) (4.5X280)	1-D1	<u>1-35</u>	40	CASE (UPPER)	1-E1	<u>2-3</u>	3
BULK HOSE, VACUUM (4.5X1000) (4.5X70)	1-D1	<u>1-35</u>	39		1-G2	<u>2-68</u>	6
BULK HOSE, VINYL (4X7X8000) (4X7X540)	1-F14	<u>2-61</u>	14	CENTER, CLUTCH	1-C6	<u>1-12</u>	2
	1-G3	<u>2-70</u>	15	CENTER, SHIFT DRUM	1-C14	<u>1-28</u>	6
BUSH (15MM)	1-C12	<u>1-25</u>	6	CHAIN, CAM (DIDSCR-0409SDH-52LE)	1-C3	<u>1-6</u>	1
BUSH (20MM)	1-C12	<u>1-25</u>	14	CHAMBER SET, FLOAT	1-C16	<u>1-33</u>	5
BUSH (22MM)	1-C6	<u>1-13</u>	18	CIRCLIP	1-E3	<u>2-7</u>	23
	1-C12	<u>1-25</u>	11		1-E10	<u>2-20</u>	8
BUSH, FR. SHOCK ABSORBER	1-E8	<u>2-16</u>	2	CIRCLIP (7MM)	1-C6	<u>1-13</u>	28
BUSH, SPLINE (25X8.6)	1-C12	<u>1-25</u>	5	CIRCLIP (INNER) (50MM)	1-E10	<u>2-21</u>	21
BUSH, STEERING	1-E5	<u>2-11</u>	2	CIRCLIP (INNER) (58MM)	1-E16	<u>2-32</u>	26

DESCRIPTION INDEX

Description	Grid	Page	Ref	Description	Grid	Page	Ref
CIRCLIP (OUTER) (12MM)	1-C8	1-17	32	CLIP, WIRE HARNESS	1-F10	2-53	28
	1-C14	1-29	22	CLIP, WIRE HARNESS (25MM)	1-E3	2-7	24
CIRCLIP (OUTER) (22MM)	1-C13	1-26	29	CLIP, WIRE HARNESS (BLACK)	1-F3	2-38	22
CIRCLIP (OUTER) (32MM)	1-E9	2-19	7	CLIP, WIRE HARNESS *NH1L* (BLACK)	1-C16	1-32	19
	1-E10	2-21	20	CLUTCH, ONE-WAY	1-C6	1-13	30
CIRCLIP (OUTER) (34MM)	1-E8	2-17	9	CLUTCH OUTER	1-C6	1-12	1
	1-E9	2-18	13		1-C6	1-13	14
CIRCLIP, SPECIAL (INNER) (42MM)	1-E5	2-11	10	CLUTCH OUTER, STARTING	1-C9	1-19	3
CLAMP	1-E1	2-3	1	COIL, IGNITION	1-F12	2-56	4
	1-G2	2-68	4	COLLAR	1-F14	2-61	8
CLAMP A, FR. BRAKE HOSE	1-E3	2-6	15		1-G3	2-70	8
CLAMP B, FR. BRAKE HOSE	1-E3	2-6	16	COLLAR (6.3X13.5)	1-F10	2-53	26
CLAMP, HARNESS	1-F13	2-58	14	COLLAR, CLUTCH LIFTER	1-C6	1-12	10
CLAMP, PULSER WIRE	1-C9	1-18	2	COLLAR, COVER SETTING	1-E4	2-9	14
CLAMP, THERMO SENSOR WIRE	1-C8	1-16	9	COLLAR, ENGINE HANGER	1-F13	2-58	9
CLAMP, WIRE HARNESS	1-E7	2-15	23	COLLAR, FR. DISTANCE	1-E14	2-28	6
	1-F11	2-54	8	COLLAR, FR. ENGINE HANGER	1-E12	2-24	22
CLIP	1-E1	2-3	1	COLLAR, FR. FENDER	1-E7	2-14	8
CLIP (2X70)	1-F14	2-60	6	COLLAR, FR. SHOCK ABSORBER (LOWER)	1-E8	2-16	3
CLIP (4X60)	1-F10	2-53	29	COLLAR, FR. WHEEL	1-E14	2-28	2
CLIP (6X20)	1-C8	1-17	23	COLLAR, FUEL TANK SETTING	1-F2	2-37	12
	1-G2	2-68	17	COLLAR, LOCK SETTING	1-F10	2-53	23
CLIP, AIR HOSE (21.5)	1-F5	2-43	18	COLLAR, MUFFLER BAND	1-F6	2-45	3
CLIP, ALTERNATOR WIRE	1-C9	1-18	5	COLLAR, NUMBER BRACKET SETTING	1-E2	2-5	29
CLIP, BRAKE HOSE	1-E3	2-6	5	COLLAR, RADIATOR MOUNTING	1-F2	2-37	15
CLIP, BREATHER TUBE	1-F5	2-43	15		1-F6	2-44	21
CLIP, CABLE (10MM)	1-F13	2-58	15		1-F14	2-60	4
CLIP, CABLE (15MM)	1-F13	2-58	16	COLLAR, RR. FENDER	1-E1	2-3	8
CLIP, CABLE (20MM)	1-F13	2-58	17		1-G2	2-68	14
CLIP, CABLE (25MM)	1-F13	2-58	18	COLLAR, RR. SHOCK ABSORBER (LOWER)	1-F9	2-51	2
CLIP, CABLE (30MM)	1-F13	2-59	19	COLLAR, SETTING	1-D1	1-34	25
CLIP, MUDGUARD	1-E7	2-15	25	COLLAR, SPLINE	1-C12	1-25	4
	1-F3	2-38	21	COLLAR, STOP SWITCH	1-E2	2-4	7
	1-F4	2-40	17	CONTROL UNIT, CHANGE	1-F12	2-56	12
	1-F10	2-53	27	COOLER, OIL	1-F14	2-60	2
CLIP, NEEDLE THRUST BEARING (12MM)	1-E12	2-25	36	COTTER, VALVE	1-C2	1-4	15
CLIP, PANEL FIXING *NH1* (BLACK)	1-F6	2-44	27	COUNTERSHAFT, TRANSMISSION	1-C12	1-25	2
	1-F10	2-53	30	COVER, ALTERNATOR	1-C8	1-16	2
CLIP, PISTON PIN (1.2X18)	1-E12	2-25	34	COVER ASSY., DRUM	1-E15	2-31	2
CLIP, PISTON PIN (17MM)	1-C11	1-23	5	COVER, BODY	1-D1	1-34	21
CLIP, PLATE	1-D1	1-34	29	COVER, CYLINDER HEAD	1-C1	1-2	4
CLIP, PURSE LOCK	1-E2	2-5	47	COVER, DUST	1-E13	2-26	3
CLIP, SUB-TANK HOSE	1-F5	2-43	17		1-F5	2-43	14
CLIP, TUBE	1-E1	2-2	7	COVER, EX. PIPE	1-F6	2-45	5
	1-F11	2-54	13	COVER, FR. CRANKCASE	1-C4	1-8	1
CLIP, TUBE (B12)	1-F3	2-38	24		1-C4	1-8	2
CLIP, TUBE (B17)	1-D1	1-34	33		1-C5	1-10	1
CLIP, TUBE (B18)	1-D1	1-35	34		1-C5	1-10	2
CLIP, TUBE (B6.5)	1-D1	1-35	35	COVER, FUEL TANK TOP *G152* (ADVENTURE GREEN)	1-F4	2-40	12
CLIP, TUBE (C6.5)	1-E12	2-25	47	COVER, FUEL TANK TOP *R232* (PATRIOT RED)	1-F4	2-40	12
	1-E13	2-27	31	COVER, FUEL TANK TOP *Y151R* (STARBURST YELLOW)	1-F4	2-40	12
	1-E16	2-32	27	COVER, HANDLE *NH1* (BLACK)	1-E4	2-8	7
	1-F2	2-36	33		1-E4	2-9	12
CLIP, WASHER MOUTH	1-F12	2-57	23		1-G2	2-68	11
CLIP, WIRE HARNESS	1-F4	2-40	18				

DESCRIPTION INDEX

Description	Grid	Page	Ref	Description	Grid	Page	Ref
COVER, L. CARBURETOR SIDE *NH1* (BLACK)	1-F10	2-53	11	DRUM, GEARSHIFT	1-C14	1-28	5
COVER, L. ENGINE SIDE	1-F3	2-39	2	DUCT ASSY., SNORKEL	1-F5	2-43	9
COVER, L. HANDLE	1-E2	2-5	20	DUST SEAL	1-F4	2-40	13
COVER, L. HEADLIGHT	1-E7	2-15	21	DUST SEAL (16X24X4)	1-E8	2-16	6
COVER, L. TAILLIGHT	1-F11	2-54	11	DUST SEAL (17X23X3)	1-E16	2-32	19
COVER, L. TANK SIDE *G152* (WOL) (ADVENTURE GREEN)	1-F3	2-39	8	DUST SEAL (17X23X3)	1-F7	2-47	12
COVER, L. TANK SIDE *R232* (WOL) (PATRIOT RED)	1-F3	2-39	8	DUST SEAL (19X22.5X10.5) (ARAI)	1-E14	2-29	18
COVER, L. TANK SIDE *Y151R* (WOL) (STARBURST YELLOW)	1-F3	2-39	8	DUST SEAL (20X26X4.5) (ARAI)	1-F9	2-51	7
COVER, MUFFLER	1-F6	2-45	6	DUST SEAL (21.4X28.2X5)	1-E15	2-30	10
COVER, OIL FILTER	1-C4	1-8	3	DUST SEAL (22X48X7)	1-E12	2-25	40
	1-C5	1-10	3	DUST SEAL (26X40X5)	1-F8	2-49	18
COVER, R. CARBURETOR SIDE *NH1* (BLACK)	1-F10	2-53	10	DUST SEAL (28X42X8) (NOK)	1-E14	2-29	16
COVER, R. ENGINE SIDE	1-F3	2-39	1	DUST SEAL (37X25X6)	1-E5	2-11	12
COVER, R. HANDLE	1-E3	2-7	18	DUST SEAL (38X50X7)	1-E10	2-20	18
COVER, R. HEADLIGHT	1-E7	2-15	20	DUST SEAL (40X58X9)	1-E10	2-20	17
COVER, R. TAILLIGHT	1-F11	2-54	10	DUST SEAL (41X76X19)	1-E16	2-32	21
COVER, R. TANK SIDE *G152* (ADVENTURE GREEN)	1-F3	2-39	6	DUST SEAL (9X16X5) (ARAI)	1-E2	2-5	36
COVER, R. TANK SIDE *R232* (PATRIOT RED)	1-F3	2-39	6	DUST SEAL (9X16X5) (NOK)	1-E2	2-5	36
COVER, R. TANK SIDE *Y151R* (STARBURST YELLOW)	1-F3	2-39	6	DUST SEAL, BRAKE CAM	1-E15	2-31	6
COVER, REDUCTION GEAR	1-C4	1-8	4	DUST SEAL, ENGINE MOUNTING	1-F13	2-58	7
COVER, RR. CRANKCASE	1-C8	1-16	1	DUST SEAL, FR. BRAKE	1-E14	2-29	17
COVER SET, GEAR CASE	1-F1	2-34	5				
COVER, SHROUD	1-F14	2-61	1	(E)			
	1-G3	2-70	1	ELEMENT, AIR CLEANER	1-F5	2-43	12
COVER, SPRING	1-C15	1-31	14	ELEMENT, OIL FILTER	1-C4	1-8	8
COVER SUB-ASSY., FR. GEAR	1-E11	2-22	12		1-C5	1-10	5
COVER, THROTTLE CASE	1-E2	2-4	9	EMBLEM, L. FUEL TANK COVER (TYPE1)	1-G1	2-66	2
CRANKCASE, FR.	1-C10	1-21	1	EMBLEM, L. FUEL TANK COVER (TYPE2)	1-G1	2-66	2
CRANKCASE, RR.	1-C10	1-21	2	EMBLEM, L. FUEL TANK COVER (TYPE3)	1-G1	2-66	2
CRANKSHAFT	1-C11	1-23	1	EMBLEM, PRODUCT	1-E4	2-8	10
CUP, PISTON	1-E13	2-26	4	EMBLEM, R. FUEL TANK COVER (TYPE1)	1-G1	2-66	1
CUSHION, IGNITION CONTROL MODULE	1-F12	2-56	1	EMBLEM, R. FUEL TANK COVER (TYPE2)	1-G1	2-66	1
CYLINDER	1-C3	1-7	1	EMBLEM, R. FUEL TANK COVER (TYPE3)	1-G1	2-66	1
CYLINDER ASSY. B, L. FR. WHEEL	1-E13	2-27	25	END, L. TIE ROD	1-E6	2-13	2
CYLINDER ASSY. B, R. FR. WHEEL	1-E13	2-27	24	END, R. TIE ROD	1-E6	2-13	1
CYLINDER ASSY., L. FR. WHEEL	1-E13	2-27	21				
CYLINDER ASSY., R. FR. WHEEL	1-E13	2-27	15	(F)			
CYLINDER HEAD	1-C1	1-2	1	FAN, COOLING	1-F14	2-61	3
					1-G3	2-70	3
(D)				FENDER, FR. *G152* (ADVENTURE GREEN)	1-E7	2-14	4
DIAPHRAGM	1-E3	2-6	11	FENDER, FR. *R232* (PATRIOT RED)	1-E7	2-14	4
DIFFERENTIAL ASSY.	1-E11	2-23	17	FENDER, FR. *Y151R* (STARBURST YELLOW)	1-E7	2-14	4
DIODE ASSY., THREE-WAY	1-F12	2-56	8	FENDER, L. (INNER)	1-E7	2-15	17
DIPSTICK, OIL	1-C4	1-8	11	FENDER, R. (INNER)	1-E7	2-15	14
	1-C5	1-10	8	FENDER, RR. *G152* (ADVENTURE GREEN)	1-F10	2-52	5
DISK B, CLUTCH FRICTION	1-C6	1-12	5	FENDER, RR. *R232* (PATRIOT RED)	1-F10	2-52	5
DISK, CLUTCH FRICTION	1-C6	1-12	4	FENDER, RR. *Y151R* (STARBURST YELLOW)	1-F10	2-52	5
	1-C6	1-12	5	FLOAT, FR. MASTER CYLINDER	1-E3	2-6	12
DRUM ASSY., FR. BRAKE	1-E14	2-28	10	FLOAT SET	1-C16	1-33	4
DRUM ASSY., RR. BRAKE	1-E15	2-31	13	FLYWHEEL	1-C9	1-18	3
				FLYWHEEL (DENSO)	1-C9	1-18	3
				FOLLOWER, CAM	1-C2	1-4	5
				FOLLOWER SET, CAM	1-E11	2-23	18
				FORK, CENTER GEARSHIFT	1-C14	1-28	2

DESCRIPTION INDEX

Description	Grid	Page	Ref	Description	Grid	Page	Ref
FORK, FR. GEARSHIFT	1-C14	1-28	1	GUARD, FR. PIPE *NH1* (BLACK)	1-F15	2-62	7
FRAME	1-F13	2-58	4	GUARD, HANDLEBAR END	1-E2	2-4	17
FUSE, BLADE (30A)	1-F12	2-57	21	GUARD, L. FR.	1-E9	2-18	3
FUSE F (10A) (MINI)	1-F12	2-57	19	GUARD, R. FR.	1-E9	2-18	2
FUSE F (15A) (MINI)	1-F12	2-57	20	GUIDE, RATCHET	1-C15	1-31	12
				GUIDE, VALVE (OS)	1-C1	1-2	2
(G)				(H)			
GASKET	1-E1	2-3	4	HANDLEBAR	1-E4	2-8	3
	1-G2	2-68	7		1-E4	2-9	8
GASKET, ALTERNATOR COVER	1-C8	1-16	5	HEADLIGHT UNIT, L.	1-E1	2-2	3
GASKET, CYLINDER	1-C3	1-7	2	HEADLIGHT UNIT, R.	1-E1	2-2	1
GASKET, CYLINDER HEAD	1-C1	1-2	3	HEATER ASSY.	1-C16	1-33	12
GASKET, EX. PIPE	1-F6	2-45	1	HITCH, TRAILER	1-F8	2-49	4
GASKET, FLOAT CHAMBER	1-D1	1-34	22	HOLDER, CONNECTOR	1-F2	2-37	16
GASKET, FUEL CAP	1-F2	2-37	11	HOLDER, HANDLE (LOWER)	1-E4	2-8	6
GASKET, HEAD COVER	1-C1	1-2	5		1-E4	2-9	11
GASKET, MUFFLER	1-F6	2-45	11	HOLDER, JET	1-D1	1-34	24
GASKET SET	1-C16	1-33	1	HOLDER, L. HANDLE (UPPER)	1-E4	2-8	5
	1-C16	1-33	2		1-E4	2-9	10
GASKET, THROTTLE CASE	1-E2	2-5	37	HOLDER, LEVER BRACKET	1-E2	2-5	19
GAUGE, TIRE PRESSURE (KOWA)	1-F15	2-63	10	HOLDER, MASTER CYLINDER	1-E3	2-6	9
GEAR ASSY., FR. FINAL	1-E11	2-22	9	HOLDER, NEEDLE JET	1-D1	1-34	23
GEAR ASSY., RR. FINAL	1-F1	2-34	3	HOLDER, R. HANDLE (UPPER)	1-E4	2-8	4
GEAR, COUNTERSHAFT FIFTH	1-C12	1-25	17		1-E4	2-9	9
GEAR, COUNTERSHAFT FOURTH	1-C12	1-25	15	HOLDER, REVERSE STOPPER WIRE	1-C8	1-16	8
GEAR, COUNTERSHAFT LOW	1-C12	1-25	3	HOLDER, ROCKER ARM	1-C2	1-4	4
GEAR, COUNTERSHAFT REVERSE	1-C13	1-26	21	HOLDER, RR. SWINGARM GREASE	1-F8	2-49	7
GEAR, COUNTERSHAFT SECOND	1-C12	1-25	7	HOLDER SET, BRUSH	1-C10	1-20	5
GEAR, COUNTERSHAFT THIRD	1-C12	1-25	10	HOLDER, STEERING SHAFT	1-E5	2-11	1
GEAR, DRIVE	1-C6	1-13	17		1-E5	2-11	3
GEAR, FINAL DRIVE (15T)	1-C15	1-30	3	HOLDER, STOP SWICH SUB CORD	1-E2	2-5	22
GEAR, FINAL DRIVE (29T)	1-C15	1-30	4	HOLDER, THROTTLE CASE	1-E2	2-4	14
GEAR, FR. PINION	1-E11	2-23	14	HOOK, BATTERY	1-F11	2-55	10
GEAR, FR. RING (49T)	1-E11	2-23	15	HOSE A, FR. BRAKE	1-E3	2-6	2
GEAR, MAINSHAFT FIFTH	1-C12	1-25	16	HOSE B, FR. BRAKE	1-E3	2-6	3
GEAR, MAINSHAFT FOURTH	1-C12	1-25	13	HOSE, OIL	1-F14	2-60	1
GEAR, MAINSHAFT THIRD	1-C12	1-25	9	HOUSING, AIR CLEANER	1-F5	2-43	1
GEAR, PINION	1-F1	2-34	7	HUB ASSY., FR. WHEEL	1-E14	2-28	3
GEAR, REDUCTION (40T/12T)	1-C4	1-9	19	HUB, FR. WHEEL	1-E14	2-28	5
GEAR, REDUCTION (41T/10T)	1-C4	1-8	18	HUB, L. RR.	1-E15	2-30	2
GEAR, REDUCTION (7T)	1-C4	1-9	20	HUB, R. RR.	1-E15	2-30	1
GEAR, REVERSE IDLE	1-C13	1-26	19				
GEAR, RING	1-F1	2-34	8	(I)			
GEAR, STARTER DRIVEN	1-C9	1-19	2	INDICATOR, BRAKE	1-E15	2-31	8
GEAR, STARTING IDLE	1-C9	1-19	4	INSULATOR, CARBURETOR	1-C1	1-2	6
GENERATOR, PULSE (TOYO)	1-C9	1-18	1	INSULATOR, SPEED SENSOR	1-C8	1-16	3
GRILLE, FR. *NH1* (BLACK)	1-E7	2-15	19		1-G2	2-68	1
GRIP	1-F15	2-63	6	(J)			
GRIP, HANDLE	1-E2	2-4	16	JET (#128)	1-D1	1-35	41
GROMMET	1-F14	2-61	7	JET (#140)	1-D1	1-35	43
	1-G3	2-70	7	JET (#80)	1-D1	1-35	44
GROMMET A, SIDE COVER	1-E1	2-2	6				
GROMMET, AIR CLEANER HOUSING	1-F3	2-39	7				
GROMMET, RR. FENDER	1-F6	2-44	23				

DESCRIPTION INDEX

Description	Grid	Page	Ref	Description	Grid	Page	Ref
JET, SLOW (#42)	1-D1	1-35	42	LEVER, REVERSE STOPPER	1-C8	1-16	7
JOINT	1-D1	1-34	27	LEVER, RR. BRAKE	1-E2	2-5	23
JOINT A, ARM BALL	1-E8	2-17	2	LEVER, SEAT LOCK	1-F5	2-42	2
	1-E9	2-18	5	LEVER, THROTTLE	1-E2	2-4	12
	1-E9	2-19	3	LID, AIR CLEANER HOUSING	1-F5	2-43	5
	1-E10	2-20	14	LID, RR. FENDER *G152* (ADVENTURE GREEN)	1-F10	2-53	22
JOINT, BRAKE ARM	1-E16	2-32	29	LID, RR. FENDER *R232* (PATRIOT RED)	1-F10	2-53	22
JOINT, BREATHER	1-F5	2-43	13	LID, RR. FENDER *Y151R* (STARBURST YELLOW) ..	1-F10	2-53	22
JOINT, FR. FINAL	1-E11	2-22	7	LID, TOOL BOX *NH1* (BLACK)	1-F10	2-53	13
JOINT, FR. PROPELLER SHAFT	1-E11	2-22	6	LID, UTILITY BOX *G152* (ADVENTURE GREEN)	1-F4	2-40	11
JOINT, INBOARD	1-E10	2-20	9	LID, UTILITY BOX *R232* (PATRIOT RED)	1-F4	2-40	11
JOINT, TUBE	1-E11	2-22	3	LID, UTILITY BOX *Y151R* (STARBURST YELLOW) ..	1-F4	2-40	11
	1-E13	2-26	2	LOCK, SPRING	1-E13	2-27	19
JOINT, TWO-WAY	1-F6	2-44	19				
JOINT, YOKE	1-F8	2-49	2	(M)			
(K)				MAINSHAFT, TRANSMISSION (11T/15T)	1-C12	1-25	1
KEY, BLANK (TYPE1)	1-E4	2-8	2	MARK (4X4) (TYPE1)	1-G1	2-66	4
	1-E4	2-9	3	MARK (4X4) (TYPE2)	1-G1	2-66	4
KEY, BLANK (TYPE2)	1-E4	2-8	2	MARK (4X4) (TYPE3)	1-G1	2-66	4
	1-E4	2-9	3	MARK, HONDA (TYPE1)	1-G1	2-66	7
KEY, SPECIAL WOODRUFF (25X14)	1-C12	1-24	7	MARK, HONDA (TYPE2)	1-G1	2-66	7
KNOB, STARTER	1-C15	1-31	6	MARK, HONDA (TYPE3)	1-G1	2-66	7
KNUCKLE ASSY., L.	1-E9	2-19	2	MARK, RR. (4X4) (TYPE1)	1-G1	2-66	3
	1-E10	2-20	13	MARK, SIDE COVER (TYPE1)	1-G1	2-66	5
KNUCKLE ASSY., R.	1-E9	2-19	1		1-G1	2-66	8
	1-E10	2-20	12	MARK, SIDE COVER (TYPE2)	1-G1	2-66	5
					1-G1	2-66	8
(L)				MARK, SIDE COVER (TYPE3)	1-G1	2-66	5
LABEL, BRAKING INFORMATION (4WD)	1-F16	2-64	10		1-G1	2-67	8
LABEL, COLOR *G152* (TYPE3) (ADVENTURE GREEN)	1-F16	2-64	11	MASTER CYLINDER SET	1-E3	2-6	13
	1-F16	2-65	11	MASTER CYLINDER SUB-ASSY., FR. BRAKE	1-E3	2-6	7
LABEL, COLOR *R232* (TYPE1) (PATRIOT RED)	1-F16	2-64	11	MAT A, RR. FENDER	1-F10	2-52	7
	1-F16	2-65	11	METER ASSY., COMBINATION	1-E1	2-3	2
LABEL, COLOR *Y151* (TYPE2) (STARBURST YELLOW)	1-F16	2-64	11		1-G2	2-68	5
	1-F16	2-65	11	METER ASSY., FUEL	1-F2	2-37	5
LABEL, FR. CARRIER (HAM)	1-F16	2-64	7	MODULE, IGNITION CONTROL DIGITAL (CDI)(DC) ...	1-F12	2-56	2
LABEL, GENERAL WARNING	1-F16	2-64	4		1-G3	2-70	9
LABEL, OWNER'S MANUAL & TIRE GAUGE	1-F16	2-64	9	MOTOR ASSY., CONTROL	1-C4	1-9	21
LABEL, RR. CARRIER (HAM)	1-F16	2-64	8	MOTOR ASSY., STARTER	1-C10	1-20	1
LABEL, TIRE & OVERLOAD WARNING	1-F16	2-64	5	MOTOR, COOLING FAN	1-F14	2-61	6
LABEL, TRAILER HITCH	1-F16	2-64	6		1-G3	2-70	6
LENS, L. TAILLIGHT	1-F11	2-54	4	MUDGUARD, L. CENTER *NH1* (BLACK)	1-F10	2-52	9
LENS, NEUTRAL INDICATOR	1-E4	2-9	7	MUDGUARD, L. FR. (LOWER) *NH1* (BLACK)	1-E7	2-15	18
LENS, OIL INDICATOR	1-E4	2-9	6	MUDGUARD, L. FR. SIDE *NH1* (BLACK)	1-E7	2-15	16
LENS, R. TAILLIGHT	1-F11	2-54	2	MUDGUARD, L. RR. *NH1* (BLACK)	1-F10	2-53	21
LEVER, CLUTCH	1-C4	1-8	12	MUDGUARD, L. RR. SIDE *NH1* (BLACK)	1-F10	2-53	19
	1-C5	1-10	9	MUDGUARD, R. CENTER *NH1* (BLACK)	1-F10	2-52	8
LEVER, PARKING BRAKE LOCK	1-E2	2-5	26	MUDGUARD, R. FR. (LOWER) *NH1* (BLACK)	1-E7	2-15	15
LEVER, PETCOCK *NH1* (BLACK)	1-F2	2-37	3	MUDGUARD, R. FR. SIDE *NH1* (BLACK)	1-E7	2-15	13
LEVER, R. HANDLE	1-E3	2-6	17	MUDGUARD, R. RR. *NH1* (BLACK)	1-F10	2-53	20
				MUDGUARD, R. RR. SIDE *NH1* (BLACK)	1-F10	2-53	18
				MUFFLER	1-F6	2-45	2

DESCRIPTION INDEX

Description	Grid	Page	Ref	Description	Grid	Page	Ref
(N)							
NEEDLE SET, JET	1-C16	1-33	3	NUT, SELF-LOCK (12MM)	1-E5	2-11	8
NUT	1-E7	2-14	3	NUT, SELF-LOCK (14MM)	1-E6	2-13	5
NUT, AXLE (20MM)	1-E15	2-30	8	NUT, SPEED (4MM)	1-E5	2-11	7
NUT, BRAKE ADJUSTING	1-E15	2-31	11	NUT, SPEED (4MM)	1-E4	2-8	9
NUT, CASTLE (12MM)	1-E8	2-17	7	NUT, TAPPET ADJ.	1-C2	1-5	19
	1-E9	2-18	11	NUT, TIE ROD LOCK	1-E6	2-13	4
	1-E9	2-19	4	NUT, U (6MM)	1-C8	1-16	15
	1-E10	2-20	15	NUT, WHEEL	1-E14	2-28	14
NUT, CASTLE (16MM)	1-E14	2-28	13		1-E15	2-30	9
NUT, CASTLE (18MM)	1-E14	2-28	13	NUT-WASHER (6MM)	1-C10	1-20	8
NUT, CLIP (6MM)	1-F14	2-61	11	(O)			
	1-G3	2-70	12	OIL SEAL (10X20X5)	1-C4	1-9	31
NUT, COWL SETTING (5MM)	1-F4	2-40	14		1-C8	1-17	19
	1-F10	2-53	25	OIL SEAL (10X20X5) (ARAI)	1-C4	1-9	31
NUT, FENDER SETTING	1-F11	2-54	12	OIL SEAL (12X22X5)	1-C8	1-17	19
NUT, FLANGE (10MM)	1-F13	2-59	20	OIL SEAL (14X24X6) (ARAI)	1-C14	1-29	21
NUT, FLANGE (6MM)	1-E1	2-3	10	OIL SEAL (20X28X5) (KOYO)	1-C4	1-9	32
	1-E3	2-7	27		1-C5	1-11	18
	1-F6	2-44	29	OIL SEAL (24X34X5.5)	1-C15	1-30	9
	1-F7	2-46	19	OIL SEAL (24X34X7)	1-C8	1-17	18
	1-F12	2-57	16	OIL SEAL (25X42X7) (ARAI)	1-E5	2-11	11
	1-G2	2-69	19	OIL SEAL (30X64X11)	1-E12	2-25	39
NUT, FLANGE (8MM)	1-E12	2-25	32	OIL SEAL (34X58X6)	1-E16	2-32	20
	1-E16	2-32	24	OIL SEAL (34X70X11)	1-F2	2-36	28
	1-F6	2-45	18	OIL SEAL (35X49X6) (ARAI)	1-F2	2-36	29
	1-F7	2-46	20	OIL SEAL (35X49X6) (NOK)	1-F2	2-36	29
	1-F7	2-47	13	OIL SEAL (42X51X7)	1-F2	2-36	30
NUT, FLANGE CAP (10MM)	1-C1	1-2	8	OIL SEAL (42X58X10)	1-F8	2-49	17
	1-C2	1-4	18	O-RING	1-C10	1-20	11
	1-C2	1-5	18	O-RING (10X2) (ARAI)	1-C7	1-14	13
NUT, HEX. (12MM)	1-E6	2-13	6	O-RING (11.5X2.3)	1-C15	1-31	18
NUT, HEX. (5MM) (MITSUBA)	1-F14	2-61	9	O-RING (11.8X3.55)	1-F2	2-37	4
	1-G3	2-70	10	O-RING (11X1.9) (NOK)	1-C7	1-14	12
NUT, HEX. (6MM)	1-E2	2-5	43		1-E12	2-25	44
	1-E2	2-5	44	O-RING (11X2.4)	1-F14	2-60	5
	1-F11	2-55	13	O-RING (12.7X1.9)	1-C4	1-9	34
NUT, HEX. (8MM)	1-C4	1-9	39		1-C5	1-11	20
	1-C5	1-11	23	O-RING (13.8X2.5)	1-C8	1-17	20
	1-E13	2-27	29	O-RING (1.3X4.3)	1-C16	1-33	13
NUT, L. ADJUSTER	1-E13	2-27	22	O-RING (16.8X1.9)	1-E9	2-19	5
NUT, LOCK (18MM)	1-C6	1-13	21	O-RING (16X1.9)	1-E12	2-25	46
NUT, LOCK (20MM)	1-C6	1-13	20	O-RING (181X3.1)	1-E16	2-32	23
NUT, LOCK (60MM)	1-E12	2-24	30	O-RING (18.3X2.4) (NOK)	1-C8	1-17	21
NUT, LOCK (64MM)	1-F2	2-36	24		1-G2	2-68	16
NUT, R. ADJUSTER	1-E13	2-27	17	O-RING (18X3) (ARAI)	1-C10	1-21	14
NUT, RR. SWINGARM PIVOT	1-F8	2-49	14	O-RING (22.1X1.9)	1-C8	1-17	22
NUT, SELF-LOCK (10MM)	1-E4	2-8	12	O-RING (24.4X3.1)	1-C10	1-20	10
	1-E4	2-9	15	O-RING (24.4X3.1) (ARAI)	1-C10	1-20	10
	1-E8	2-16	5	O-RING (30.8MM)	1-E12	2-25	43
	1-E8	2-17	6		1-F2	2-36	31
	1-E9	2-18	10	O-RING (33.7X2.4)	1-C1	1-2	11
	1-E12	2-25	31	O-RING (54X2.4) (ARAI)	1-C4	1-9	33
	1-F8	2-49	12		1-C5	1-11	19
	1-F9	2-51	5	O-RING (64.6X1.7)	1-E13	2-27	27

DESCRIPTION INDEX

Description	Grid	Page	Ref	Description	Grid	Page	Ref
O-RING (75X3.2)	1-E16	<u>2-32</u>	22	PIN, DOWEL (10X12)	1-C7	1-14	15
	1-F9	<u>2-50</u>	19	PIN, DOWEL (8X20)	1-C7	1-14	14
O-RING (7.7X2.5)	1-C2	<u>1-5</u>	21	PIN, KNOCK (12X16)	1-C2	1-5	22
O-RING (8.2X1.5)	1-C4	<u>1-9</u>	36		1-C3	1-7	3
	1-C5	<u>1-11</u>	21	PIN, PISTON	1-C11	1-23	4
O-RING (8.4X2.4)	1-C4	<u>1-9</u>	37	PIN, RETURN SPRING	1-C14	1-28	12
	1-C5	<u>1-11</u>	22	PIN, RING GEAR STOPPER	1-F1	2-34	9
O-RING, ANGLE SENSOR	1-C4	<u>1-9</u>	35	PIN, STARTER RATCHET	1-C15	1-31	11
O-RING, BRAKE DRUM	1-E14	<u>2-29</u>	19	PIN, TENSION	1-E13	2-26	11
O-RING, MOTOR	1-C4	<u>1-9</u>	38	PIPE A, OIL	1-C7	1-14	7
O-RING, REDUCTION GEAR COVER	1-C4	<u>1-8</u>	5	PIPE ASSY., L. HOUSING	1-F8	2-49	9
				PIPE B, OIL	1-C7	1-14	8
(P)				PIPE, CP	1-F11	2-54	1
PANEL SET, RR. BRAKE	1-E15	<u>2-31</u>	4	PIPE, EX.	1-F6	2-45	4
PEDAL, BRAKE	1-F7	<u>2-47</u>	4	PIPE, FR. BRAKE	1-E3	2-6	4
PEDAL, GEARSHIFT	1-F8	<u>2-48</u>	17	PIPE, FR. CARRY *NH1* (BLACK)	1-F15	2-62	4
PETCOCK ASSY.	1-F2	<u>2-37</u>	1	PIPE, FR. WHEEL CYLINDER	1-E13	2-26	14
PIN (10X44)	1-C9	<u>1-19</u>	1	PISTON	1-C11	1-23	3
PIN A, DOWEL (8X10)	1-C4	<u>1-9</u>	42		1-E13	2-27	16
PIN A, DOWEL (8X14)	1-C4	<u>1-9</u>	43	PISTON (0.75)	1-C11	1-23	3
	1-C5	<u>1-11</u>	25	PISTON (1.00)	1-C11	1-23	3
	1-C8	<u>1-17</u>	24	PISTON (OS 0.25)	1-C11	1-23	3
	1-C10	<u>1-20</u>	12	PISTON (OS 0.50)	1-C11	1-23	3
	1-C10	<u>1-21</u>	17	PISTON, VACUUM	1-C16	1-33	18
PIN, ARM	1-D1	<u>1-34</u>	19	PIVOT, SHIFT DRUM STOPPER ARM	1-C3	1-6	4
PIN, COTTER (2.0X22)	1-E5	<u>2-11</u>	13	PLATE A, REVERSE STOPPER	1-C8	1-17	30
	1-E6	<u>2-13</u>	7	PLATE B, OIL PIPE FIXING	1-C7	1-14	9
PIN, COTTER (2.0X25)	1-E5	<u>2-11</u>	13	PLATE, BEARING SETTING	1-C13	1-26	18
	1-E6	<u>2-13</u>	7		1-C14	1-28	13
PIN, COTTER (2.0X32)	1-E5	<u>2-11</u>	13	PLATE, CAM FIXING	1-C2	1-4	3
	1-E6	<u>2-13</u>	7	PLATE, CLUTCH	1-C6	1-12	6
PIN, COTTER (2.0X35)	1-E5	<u>2-11</u>	13	PLATE, CLUTCH CAM	1-C4	1-8	13
	1-E6	<u>2-13</u>	7		1-C5	1-10	10
PIN, COTTER (2.5MM)	1-E16	<u>2-32</u>	25	PLATE, CLUTCH LIFTER	1-C4	1-8	15
PIN, COTTER (2X28)	1-E5	<u>2-11</u>	13		1-C5	1-10	12
	1-E6	<u>2-13</u>	7	PLATE, CLUTCH PRESSURE	1-C6	1-12	9
PIN, COTTER (3.0X18)	1-E8	<u>2-17</u>	8	PLATE, CLUTCH PRESSURE	1-C6	1-12	8
	1-E9	<u>2-18</u>	12	PLATE, DIAPHRAGM	1-E3	2-6	10
	1-E9	<u>2-19</u>	6	PLATE, DRIVE	1-C6	1-12	7
	1-E10	<u>2-21</u>	19	PLATE, FR. SKID *NH1* (BLACK)	1-F15	2-62	6
PIN, COTTER (3.0X25)	1-E6	<u>2-12</u>	14	PLATE, FRICTION	1-C15	1-31	13
	1-E14	<u>2-29</u>	20	PLATE, L. BACK	1-E13	2-26	8
	1-F7	<u>2-47</u>	14	PLATE, R. BACK	1-E13	2-26	7
PIN, COTTER (3.0X40)	1-E6	<u>2-12</u>	14	PLATE, REGULATE RECTIFIER	1-F12	2-56	7
	1-E14	<u>2-29</u>	20	PLATE SET, VALVE	1-C16	1-33	8
	1-F7	<u>2-47</u>	14	PLATE, SKID	1-F1	2-35	16
PIN, COTTER (3.0X45)	1-E6	<u>2-12</u>	14	PLATE, SNORKEL AIR GUIDE	1-F2	2-37	18
	1-E14	<u>2-29</u>	20	PLIERS (135) (KOWA)	1-F15	2-63	7
	1-F7	<u>2-47</u>	14	PLIERS (135) (RIKEN)	1-F15	2-63	7
PIN, COTTER (3X30)	1-E6	<u>2-12</u>	14	PLIERS (135MM)	1-F15	2-63	7
	1-E14	<u>2-29</u>	20	PLUG, ADJUSTING HOLE	1-E14	2-28	4
	1-F7	<u>2-47</u>	14	PLUG, FR. FENDER	1-F3	2-39	5
PIN, COTTER (4.0X30)	1-E14	<u>2-29</u>	20	PLUG, HEAD PIPE	1-F10	2-52	2
PIN, COTTER (4.0X40)	1-E15	<u>2-30</u>	12	PROTECTOR, ANGLE SENSOR	1-C4	1-8	6
				PROTECTOR, TANK HEAT (LOWER)	1-F2	2-37	7
				PULLEY, RECOIL	1-C15	1-31	10

DESCRIPTION INDEX

Description	Grid	Page	Ref	Description	Grid	Page	Ref
PUMP ASSY., OIL	1-C7	1-14	1	RUBBER, STOPPER	1-F1	2-35	17
PUMP SET	1-C16	1-33	10	RUBBER, TAILLIGHT MOUNTING	1-E1	2-2	5
					1-F11	2-54	9
(R)				RUBBER, TAILLIGHT SETTING	1-F10	2-52	1
RATCHET, STARTER	1-C15	1-31	9	RUBBER, TANK SETTING	1-F10	2-53	35
RECTIFIER ASSY., REGULATOR	1-F12	2-56	6				
REEL, RECOIL STARTER	1-C15	1-31	8	(S)			
RETAINER, BALL	1-C4	1-8	17	SCREEN, OIL FILTER	1-C10	1-21	7
	1-C5	1-10	14	SCREEN, OIL FILTER (KOYO)	1-C10	1-21	6
RETAINER, VALVE SPRING	1-C2	1-4	13	SCREEN SET, FUEL STRAINER	1-F2	2-37	2
RING	1-C10	1-20	6	SCREW	1-C16	1-33	17
RING, DAMPER	1-E15	2-31	3	SCREW, BLEEDER	1-E13	2-26	5
RING SET, PISTON (0.5)	1-C11	1-23	2	SCREW, FLAT (4X12)	1-E3	2-7	25
RING SET, PISTON (0.75)	1-C11	1-23	2	SCREW, L. ADJUSTING	1-E13	2-27	23
RING SET, PISTON (1.00)	1-C11	1-23	2	SCREW, PAN	1-C16	1-33	14
RING SET, PISTON (OS 0.25)	1-C11	1-23	2	SCREW, PAN (4X14)	1-D1	1-34	31
RING SET, PISTON (STD)	1-C11	1-23	2	SCREW, PAN (4X16)	1-E2	2-5	38
RING, SIDE SEAL	1-E15	2-30	11	SCREW, PAN (4X8)	1-D1	1-34	30
RING, SNAP	1-E10	2-20	5	SCREW, PAN (5X14)	1-E2	2-5	39
	1-E10	2-20	7	SCREW, PAN (5X18)	1-E2	2-5	40
RING, STEERING BUSH	1-E5	2-11	4	SCREW, PAN (5X25)	1-E2	2-5	41
RING, STOPPER	1-E11	2-22	10	SCREW, PAN (5X28)	1-C1	1-2	13
	1-F1	2-34	6		1-E2	2-5	41
ROD, PUSH	1-C2	1-4	7	SCREW, PAN (6X14)	1-F15	2-62	9
ROD, TIE	1-E6	2-13	3	SCREW, PARKING LEVER PIVOT	1-E2	2-5	31
ROLLER (4X15.8)	1-C7	1-15	18	SCREW, PROTECTOR SETTING	1-E4	2-8	11
ROLLER (4X8)	1-C14	1-29	24		1-F4	2-40	16
ROPE, RECOIL STARTER	1-C15	1-31	5		1-G2	2-68	13
ROTOR B, OIL PUMP (INNER)	1-C7	1-14	2	SCREW, R. FR. ADJUSTING	1-E13	2-27	18
	1-C7	1-14	4	SCREW SET	1-C16	1-33	6
ROTOR B, OIL PUMP (OUTER)	1-C7	1-14	3		1-C16	1-33	7
	1-C7	1-14	5	SCREW, SPECIAL (6X8)	1-F10	2-53	24
RUBBER, BATTERY CUSHION	1-F6	2-44	22		1-F11	2-54	14
RUBBER, BATTERY MOUNTING	1-F10	2-52	6	SCREW, TAPPET ADJ.	1-C2	1-4	16
RUBBER C, MOUNTING	1-F13	2-58	8	SCREW, TAPPING (3X16)	1-E1	2-3	7
RUBBER C, STAND STOPPER	1-F3	2-38	25	SCREW, TAPPING (4X10)	1-F4	2-41	20
RUBBER, ENGINE HEAD MOUNTING	1-F13	2-58	5	SCREW, TAPPING (4X12)	1-E7	2-15	26
RUBBER, ENGINE MOUNTING (LOWER)	1-F13	2-58	6		1-F3	2-38	23
RUBBER, FILTER	1-C4	1-8	9	SCREW, TAPPING (4X16)	1-E1	2-3	9
	1-C5	1-10	6		1-F11	2-54	15
RUBBER, FR. FENDER SETTING	1-E7	2-14	5		1-F14	2-61	13
	1-F10	2-52	3		1-G2	2-69	18
RUBBER, GEARSHIFT PEDAL	1-F8	2-48	18		1-G3	2-70	14
RUBBER, MAGNETIC SHOCK	1-F11	2-55	8	SCREW, TAPPING (5X12)	1-E1	2-2	9
RUBBER, MOUNTING	1-E1	2-3	6		1-E7	2-15	27
	1-E4	2-9	4		1-F10	2-53	32
	1-G2	2-68	9		1-F11	2-54	16
RUBBER, MUFFLER	1-F2	2-37	14		1-F11	2-55	12
RUBBER, MUFFLER MOUNTING	1-F6	2-45	13	SCREW, TAPPING (6X16)	1-E7	2-15	28
RUBBER, RADIATOR MOUNTING	1-F6	2-44	20	SCREW-WASHER (4X12)	1-D1	1-34	32
	1-F14	2-60	3	SCREW-WASHER (4X14)	1-E3	2-7	26
RUBBER, SEAT SETTING	1-F5	2-42	5	SCREW-WASHER (4X20)	1-E2	2-5	42
	1-F13	2-58	11		1-F14	2-61	12
RUBBER, SNORKEL AIR GUIDE	1-F2	2-37	17		1-G3	2-70	13
				SCREW-WASHER (4X6)	1-E13	2-27	20

DESCRIPTION INDEX

Description	Grid	Page	Ref	Description	Grid	Page	Ref
SCREW-WASHER (5X16)	1-F4	2-40	19	SHIM E (1.7)	1-E12	2-24	19
SCREW-WASHER (5X20)	1-F10	2-53	31	SHIM E, DIFFERENTIAL CASE (0.70)	1-E11	2-23	16
SCREW-WASHER (5X80)	1-F3	2-38	20	SHIM E, PINION GEAR	1-F1	2-34	11
SCREW-WASHER (6X20)	1-E5	2-10	17	SHIM E, PINION GEAR (2.06)	1-E11	2-23	13
SEAL, AIR CLEANER COVER	1-F5	2-43	6	SHIM F (1.8)	1-E12	2-24	19
SEAL, PIN (NISSIN)	1-E13	2-26	13	SHIM F, DIFFERENTIAL CASE (0.75)	1-E11	2-23	16
SEAL, PROPELLER	1-E12	2-25	42	SHIM F, PINION GEAR	1-F1	2-35	11
SEAL, RUBBER	1-C7	1-14	6	SHIM F, PINION GEAR (2.12)	1-E11	2-23	13
SEAL, SNORKEL DUCT	1-F5	2-43	10	SHIM G (1.9)	1-E12	2-24	19
SEAL, TOOL BOX	1-F10	2-53	14	SHIM G, DIFFERENTIAL CASE (0.80)	1-E11	2-23	16
SEAL, UTILITY BOX LID	1-F4	2-40	10	SHIM G, PINION GEAR	1-F1	2-35	11
SEAL, VALVE STEM	1-C2	1-4	1	SHIM G, PINION GEAR (2.18)	1-E11	2-23	13
SEAT, JUDDER SPRING	1-C6	1-12	3	SHIM H, DIFFERENTIAL CASE (0.85)	1-E11	2-23	16
SEAT *NH1* (BLACK)	1-F5	2-42	1	SHIM H, PINION GEAR	1-F1	2-35	11
SEAT, VALVE SPRING	1-C2	1-4	14	SHIM I, DIFFERENTIAL CASE (0.90)	1-E11	2-23	16
SENSOR ASSY., ANGLE	1-C4	1-9	22	SHIM I, PINION GEAR	1-F1	2-35	11
SENSOR ASSY., SPEED	1-C8	1-16	12	SHIM J, DIFFERENTIAL CASE (0.95)	1-E11	2-23	16
	1-G2	2-68	10	SHIM J, PINION GEAR	1-F1	2-35	11
SENSOR ASSY., THERMOSTAT OIL	1-C10	1-21	10	SHIM K, DIFFERENTIAL CASE (1.00)	1-E11	2-23	16
SEPARATOR	1-E3	2-6	14	SHIM L, DIFFERENTIAL CASE (1.05)	1-E11	2-23	16
SET-RING (20MM)	1-C13	1-26	30	SHIM L, PINION GEAR (1.64)	1-E11	2-22	13
SHAFT A, FINAL	1-C15	1-30	1	SHIM M, DIFFERENTIAL CASE (1.10)	1-E11	2-23	16
SHAFT ASSY., FR. PROPELLER	1-E11	2-22	5	SHIM M, PINION GEAR (1.70)	1-E11	2-22	13
SHAFT B, FINAL	1-C15	1-30	2	SHIM N, DIFFERENTIAL CASE (1.15)	1-E11	2-23	16
SHAFT, BALANCER	1-C12	1-24	6	SHIM N, PINION GEAR (1.76)	1-E11	2-22	13
SHAFT, GEARSHIFT FORK GUIDE	1-C14	1-28	4	SHIM O, DIFFERENTIAL CASE (1.20)	1-E11	2-23	16
SHAFT, L.	1-E10	2-20	11	SHIM P, DIFFERENTIAL CASE (1.25)	1-E11	2-23	16
SHAFT, PROPELLER	1-F8	2-49	1	SHIM Q, DIFFERENTIAL CASE (1.30)	1-E11	2-23	16
SHAFT, R.	1-E10	2-20	10	SHIM R, DIFFERENTIAL CASE (1.35)	1-E11	2-23	16
SHAFT, REVERSE IDLE	1-C13	1-26	20	SHIM S, DIFFERENTIAL CASE (1.40)	1-E11	2-23	16
SHAFT, REVERSE STOPPER	1-C8	1-16	6	SHIM T, DIFFERENTIAL CASE (1.45)	1-E11	2-23	16
SHAFT, ROCKER ARM	1-C2	1-4	8	SHIM U, DIFFERENTIAL CASE (1.50)	1-E11	2-23	16
SHAFT, RR. AXLE	1-F1	2-35	14	SHIM V, DIFFERENTIAL CASE (1.55)	1-E11	2-23	16
SHAFT, SCREWDRIVER	1-F15	2-63	5	SHIM W, DIFFERENTIAL CASE (1.60)	1-E11	2-23	16
SHAFT, STEERING	1-E5	2-11	6	SHOCK ABSORBER ASSY., FR.	1-E8	2-16	1
SHIFTER, COUNTERSHAFT SECOND & REVERSE				SHOCK ABSORBER ASSY., RR.	1-F9	2-51	1
GEAR	1-C12	1-25	8	SHOE SET, BRAKE	1-E13	2-26	1
SHIM A (1.3)	1-E12	2-24	19	SHOE SET, BRAKE (JB)	1-E15	2-31	1
SHIM A, DIFFERENTIAL CASE (0.50)	1-E11	2-23	16	SHOE SET, RR. BRAKE	1-E15	2-31	1
SHIM A, PINION GEAR	1-F1	2-34	11	SHROUD, COOLING FAN	1-F14	2-61	2
SHIM A, PINION GEAR (1.82)	1-E11	2-23	13		1-G3	2-70	2
SHIM A, STOPPER PIN (0.10)	1-F1	2-34	10	SOCKET, ACCESSORY	1-E7	2-14	1
SHIM B (1.4)	1-E12	2-24	19	SOCKET ASSY., INDICATOR	1-E4	2-9	5
SHIM B, DIFFERENTIAL CASE (0.55)	1-E11	2-23	16	SOCKET, HEADLIGHT	1-E1	2-2	2
SHIM B, PINION GEAR	1-F1	2-34	11	SOCKET, TAILLIGHT	1-F11	2-54	3
SHIM B, PINION GEAR (1.88)	1-E11	2-23	13	SPACER A, RING GEAR (1.26)	1-F1	2-35	13
SHIM B, STOPPER PIN (0.15)	1-F1	2-34	10	SPACER A, RING GEAR (1.82)	1-F1	2-35	12
SHIM C (1.5)	1-E12	2-24	19	SPACER, ACCESSORY SOCKET (INNER) *NH1*			
SHIM C, DIFFERENTIAL CASE (0.60)	1-E11	2-23	16	(BLACK)	1-E7	2-14	7
SHIM C, PINION GEAR	1-F1	2-34	11	SPACER, ACCESSORY SOCKET (OUTER) *NH1*			
SHIM C, PINION GEAR (1.94)	1-E11	2-23	13	(BLACK)	1-E7	2-14	6
SHIM D (1.6)	1-E12	2-24	19	SPACER B, RING GEAR (1.32)	1-F1	2-35	13
SHIM D, DIFFERENTIAL CASE (0.65)	1-E11	2-23	16	SPACER B, RING GEAR (1.88)	1-F1	2-35	12
SHIM D, PINION GEAR	1-F1	2-34	11	SPACER C, RING GEAR (1.38)	1-F1	2-35	13
SHIM D, PINION GEAR (2.00)	1-E11	2-23	13	SPACER C, RING GEAR (1.94)	1-F1	2-35	12
				SPACER D, RING GEAR (1.44)	1-F1	2-35	13

DESCRIPTION INDEX

Description	Grid	Page	Ref	Description	Grid	Page	Ref
SPACER D, RING GEAR (2.00)	1-F1	<u>2-35</u>	12	STARTER ASSY., RECOIL	1-C15	<u>1-31</u>	1
SPACER E, RING GEAR (1.50)	1-F1	<u>2-35</u>	13	STATOR	1-C9	<u>1-18</u>	4
SPACER E, RING GEAR (2.06)	1-F1	<u>2-35</u>	12	STAY A, AIR CLEANER	1-F5	<u>2-43</u>	3
SPACER F, RING GEAR (1.56)	1-F1	<u>2-35</u>	13	STAY A, CONNECTOR	1-F12	<u>2-57</u>	13
SPACER F, RING GEAR (2.12)	1-F1	<u>2-35</u>	12	STAY B, AIR CLEANER	1-F5	<u>2-43</u>	4
SPACER, FAN	1-F14	<u>2-61</u>	4	STAY, FR. GUARD	1-E9	<u>2-18</u>	1
	1-G3	<u>2-70</u>	4	STAY, FUSE CONNECTOR	1-F12	<u>2-57</u>	14
SPACER G, RING GEAR (1.62)	1-F1	<u>2-35</u>	13	STAY, HANDLE COVER	1-E4	<u>2-8</u>	8
SPACER G, RING GEAR (2.18)	1-F1	<u>2-35</u>	12		1-G2	<u>2-68</u>	12
SPACER H, RING GEAR (1.68)	1-F1	<u>2-35</u>	13	STAY, L. FR. ENGINE COVER	1-C4	<u>1-8</u>	7
SPACER H, RING GEAR (2.24)	1-F1	<u>2-35</u>	12		1-C5	<u>1-10</u>	4
SPACER I, RING GEAR (1.74)	1-F1	<u>2-35</u>	13	STAY, L. FR. FENDER	1-E7	<u>2-14</u>	10
SPACER I, RING GEAR (2.30)	1-F1	<u>2-35</u>	12	STAY, L. MUDGUARD CENTER	1-E7	<u>2-14</u>	12
SPACER J, RING GEAR (1.80)	1-F1	<u>2-35</u>	13	STAY, L. OIL COOLER	1-F13	<u>2-58</u>	3
SPACER K, RING GEAR (1.86)	1-F1	<u>2-35</u>	13	STAY, L. RR. ENGINE COVER	1-C10	<u>1-21</u>	4
SPARK PLUG (DPR6EA-9) (NGK)	1-C1	<u>1-3</u>	18	STAY, L. RR. FENDER	1-F10	<u>2-53</u>	17
SPARK PLUG (DPR7EA-9) (NGK)	1-C1	<u>1-3</u>	18	STAY, R. FR. ENGINE COVER	1-C10	<u>1-21</u>	3
SPARK PLUG (X20EPR-U9) (DENSO)	1-C1	<u>1-3</u>	18	STAY, R. FR. FENDER	1-E7	<u>2-14</u>	9
SPARK PLUG (X22EPR-U9) (DENSO)	1-C1	<u>1-3</u>	18	STAY, R. MUDGUARD CENTER	1-E7	<u>2-14</u>	11
SPINDLE, GEARSHIFT	1-C14	<u>1-29</u>	26	STAY, R. OIL COOLER	1-F13	<u>2-58</u>	2
SPINDLE, SECONDARY GEARSHIFT	1-C14	<u>1-28</u>	9	STAY, R. RR. ENGINE COVER	1-C8	<u>1-16</u>	4
SPINDLE, SUB-GEARSHIFT	1-C14	<u>1-28</u>	16	STAY, R. RR. FENDER	1-F10	<u>2-53</u>	16
	1-C14	<u>1-29</u>	16	STAY, SKID PLATE	1-F8	<u>2-49</u>	8
SPRING, AIR CLEANER HOUSING LID	1-F5	<u>2-43</u>	7	STAY, STARTER MAGNETIC	1-F11	<u>2-55</u>	9
SPRING ASSY., RR. BRAKE PEDAL	1-F7	<u>2-47</u>	5	STEP	1-F7	<u>2-47</u>	7
SPRING, BRAKE	1-E13	<u>2-26</u>	9	STOPPER, BEARING	1-F1	<u>2-35</u>	18
SPRING, CAM PLATE SIDE	1-C4	<u>1-8</u>	14	STRAINER, OIL	1-C10	<u>1-21</u>	5
	1-C5	<u>1-10</u>	11	STUD (6X21)	1-F3	<u>2-39</u>	4
SPRING, CARBON BRUSH	1-C10	<u>1-20</u>	3	SUB-HARNESS, OPTION METER	1-G2	<u>2-68</u>	3
SPRING, CLUTCH	1-C6	<u>1-12</u>	11	SUB-WIRE, FR. STOP SWITCH	1-E2	<u>2-4</u>	4
SPRING, CLUTCH DRIVE	1-C6	<u>1-13</u>	13	SUB-WIRE, THERMO SENSOR	1-C10	<u>1-21</u>	9
SPRING, COMPRESSION COIL	1-C16	<u>1-33</u>	11	SUSPENSION, CONTROL UNIT	1-F12	<u>2-56</u>	11
SPRING, CONE DISK	1-C6	<u>1-13</u>	16	SUSPENSION, IGNITION COIL	1-F12	<u>2-56</u>	3
SPRING, DIFFERENTIAL SIDE CONED	1-E12	<u>2-24</u>	20	SWINGARM ASSY., RR.	1-F8	<u>2-49</u>	5
SPRING, FR. BRAKE SHOE	1-E15	<u>2-31</u>	14	SWINGARM, GEARSHIFT	1-C14	<u>1-28</u>	3
SPRING, FRICTION	1-C15	<u>1-31</u>	3	SWITCH ASSY., CHANGE	1-C8	<u>1-16</u>	11
SPRING, GEARSHIFT RETURN	1-C14	<u>1-28</u>	11	SWITCH ASSY., FR. STOP (TATEISHI)	1-E2	<u>2-4</u>	6
SPRING, JUDDER	1-C6	<u>1-12</u>	12		1-E3	<u>2-6</u>	1
SPRING, LEVER RETURN	1-E2	<u>2-5</u>	28	SWITCH ASSY., IGNITION	1-E4	<u>2-8</u>	1
SPRING, OIL FILTER ELEMENT SETTING	1-C4	<u>1-8</u>	10		1-E4	<u>2-9</u>	2
	1-C5	<u>1-10</u>	7	SWITCH ASSY., NEUTRAL (TOYO)	1-C8	<u>1-16</u>	10
SPRING, PARKING BRAKE LEVER	1-E2	<u>2-5</u>	25	SWITCH ASSY., RR. STOP	1-F7	<u>2-47</u>	1
SPRING, PARKING LEVER RETURN	1-E2	<u>2-5</u>	28	SWITCH ASSY., STARTER MAGNETIC	1-F11	<u>2-55</u>	7
SPRING, PROPELLER SHAFT	1-F8	<u>2-49</u>	3	SWITCH ASSY., THERMOSTAT	1-F12	<u>2-57</u>	22
SPRING, RECOIL STARTER	1-C15	<u>1-31</u>	2	SWITCH, HANDLE	1-E2	<u>2-4</u>	5
SPRING, RR. BRAKE ARM	1-E15	<u>2-31</u>	10	SWITCH SET, LIGHTING & STARTER KILL	1-E2	<u>2-5</u>	46
SPRING, RR. BRAKE ROD	1-E15	<u>2-31</u>	12				
SPRING, SEAT LOCK	1-F5	<u>2-42</u>	4	(T)			
SPRING, SHAFT	1-E11	<u>2-22</u>	4	TANK, FUEL	1-F2	<u>2-37</u>	6
SPRING, SHIFT DRUM STOPPER	1-C14	<u>1-28</u>	8	TENSIONER, CAM CHAIN	1-C3	<u>1-6</u>	2
SPRING, SHOE CLAMP	1-E13	<u>2-26</u>	10	TERMINAL SET, BRUSH	1-C10	<u>1-20</u>	2
SPRING, STOP SWITCH	1-F7	<u>2-47</u>	2	TIRE (24X8-12) (BS)	1-E14	<u>2-28</u>	8
SPRING, THROTTLE RETURN	1-E2	<u>2-4</u>	13	TIRE (24X8-12) (GOODYEAR)	1-E14	<u>2-28</u>	8
SPRING, VALVE (INNER)	1-C2	<u>1-4</u>	12	TIRE (25X11-10) (GOODYEAR)	1-E15	<u>2-30</u>	4
SPRING, VALVE (OUTER)	1-C2	<u>1-4</u>	11	TIRE, RR. (24X9-11) (BS)	1-E15	<u>2-30</u>	4

DESCRIPTION INDEX

Description	Grid	Page	Ref	Description	Grid	Page	Ref
TOOL, GEARSHIFT	1-F15	<u>2-63</u>	9	WASHER, PLAIN (6MM)	1-F7	<u>2-46</u>	21
TOP	1-C16	<u>1-33</u>	16		1-F7	<u>2-46</u>	22
TRAY, OWNER'S MANUAL	1-F10	<u>2-52</u>	4	WASHER, PLAIN (8MM)	1-C4	<u>1-9</u>	41
TRIM, FUEL TANK	1-F13	<u>2-58</u>	1		1-C5	<u>1-11</u>	24
TUBE, AIR CLEANER CONNECTING	1-F5	<u>2-43</u>	11	WASHER, SEAL	1-C10	<u>1-21</u>	11
TUBE, AIR CLEANER DRAIN	1-F5	<u>2-43</u>	8	WASHER, SEALING (6MM)	1-C1	<u>1-2</u>	9
TUBE, BREATHER	1-F5	<u>2-43</u>	16	WASHER, SPECIAL (18MM)	1-C6	<u>1-13</u>	24
TUBE, BREATHER (3.5X1050)	1-E12	<u>2-24</u>	21	WASHER, SPLINE	1-C13	<u>1-26</u>	25
TUBE, BREATHER (3.5X1100)	1-F1	<u>2-35</u>	15	WASHER, SPLINE (22MM)	1-C13	<u>1-26</u>	28
TUBE, FR. FUEL CAP BREATHER	1-F2	<u>2-37</u>	9	WASHER, SPRING (6MM)	1-F11	<u>2-55</u>	11
	1-G2	<u>2-68</u>	2	WASHER, SPRING (8MM)	1-E13	<u>2-27</u>	30
TUBE, FUEL	1-F2	<u>2-37</u>	13	WASHER, STEEL PLATE	1-C10	<u>1-20</u>	9
TUBE, FUEL CAP BREATHER	1-F2	<u>2-37</u>	8	WASHER, THRUST (11MM)	1-C7	<u>1-14</u>	11
				WASHER, THRUST (12MM)	1-C8	<u>1-17</u>	31
(V)					1-C14	<u>1-29</u>	18
VALVE ASSY., AIR CUT	1-D1	<u>1-34</u>	28	WASHER, THRUST (14MM)	1-E5	<u>2-11</u>	9
VALVE, EX.	1-C2	<u>1-4</u>	10	WASHER, THRUST (15MM)	1-C13	<u>1-26</u>	22
VALVE, FLOAT	1-D1	<u>1-34</u>	20		1-C13	<u>1-26</u>	23
VALVE, IN.	1-C2	<u>1-4</u>	9	WASHER, THRUST (15X1)	1-C13	<u>1-26</u>	26
VALVE, ONE-WAY	1-D1	<u>1-34</u>	26	WASHER, THRUST (20MM)	1-C6	<u>1-13</u>	27
VALVE, RIM (TR412)	1-E14	<u>2-28</u>	1		1-C13	<u>1-26</u>	24
	1-E15	<u>2-30</u>	5	WASHER, THRUST (20X30X1.5)	1-C15	<u>1-30</u>	6
VALVE SET, STARTER	1-C16	<u>1-33</u>	9	WASHER, THRUST (22X45X0.8)	1-C6	<u>1-13</u>	26
				WASHER, THRUST (25MM)	1-C9	<u>1-19</u>	6
(W)				WASHER, THRUST (27X40)	1-C6	<u>1-13</u>	25
WASHER (10.3MM)	1-E4	<u>2-8</u>	13	WASHER, THRUST (28X44X1.5)	1-C15	<u>1-30</u>	5
	1-E4	<u>2-9</u>	16	WEIGHT SET, CLUTCH	1-C6	<u>1-13</u>	15
WASHER (10MM)	1-C1	<u>1-2</u>	10	WHEEL SET, RR. (TYPE1)	1-E15	<u>2-30</u>	3
	1-C2	<u>1-5</u>	20	WHEEL SUB-ASSY., FR. (TYPE1)	1-E14	<u>2-28</u>	7
WASHER (10X21.5)	1-C4	<u>1-9</u>	24	WHEEL SUB-ASSY., RR. (TYPE1)	1-E15	<u>2-30</u>	3
	1-C5	<u>1-10</u>	15	WIRE HARNESS	1-F12	<u>2-56</u>	9
WASHER (17.5MM)	1-F7	<u>2-47</u>	10	WRENCH (10X12) (OPEN END)	1-F15	<u>2-63</u>	11
WASHER (58X110X1.0)	1-C6	<u>1-13</u>	22	WRENCH (14X17) (OPEN END)	1-F15	<u>2-63</u>	12
WASHER (58X99X1.6)	1-C6	<u>1-13</u>	23	WRENCH, BOX (18X17)	1-F15	<u>2-63</u>	8
WASHER (6.1MM)	1-C3	<u>1-6</u>	5				
WASHER (6MM)	1-C14	<u>1-29</u>	19				
WASHER (8MM)	1-E12	<u>2-25</u>	33				
	1-E15	<u>2-31</u>	17				
	1-F2	<u>2-36</u>	25				
WASHER (9X20)	1-E2	<u>2-5</u>	33				
WASHER A, THRUST (20MM)	1-C15	<u>1-30</u>	7				
WASHER, AIR CLEANER COVER SETTING	1-F3	<u>2-39</u>	3				
WASHER, ANCHOR PIN	1-E15	<u>2-31</u>	5				
WASHER C, THRUST (25MM)	1-C13	<u>1-26</u>	27				
WASHER, CRANK ARM	1-C8	<u>1-16</u>	16				
WASHER, CUP	1-F14	<u>2-61</u>	5				
	1-G3	<u>2-70</u>	5				
WASHER, DRAIN PLUG (12MM)	1-C10	<u>1-21</u>	16				
WASHER, LOCK	1-C12	<u>1-25</u>	12				
WASHER, LOCK (6MM)	1-E2	<u>2-5</u>	32				
WASHER, OIL BOLT	1-C8	<u>1-17</u>	17				
	1-E3	<u>2-7</u>	22				
WASHER, PLAIN (5MM)	1-C4	<u>1-9</u>	40				