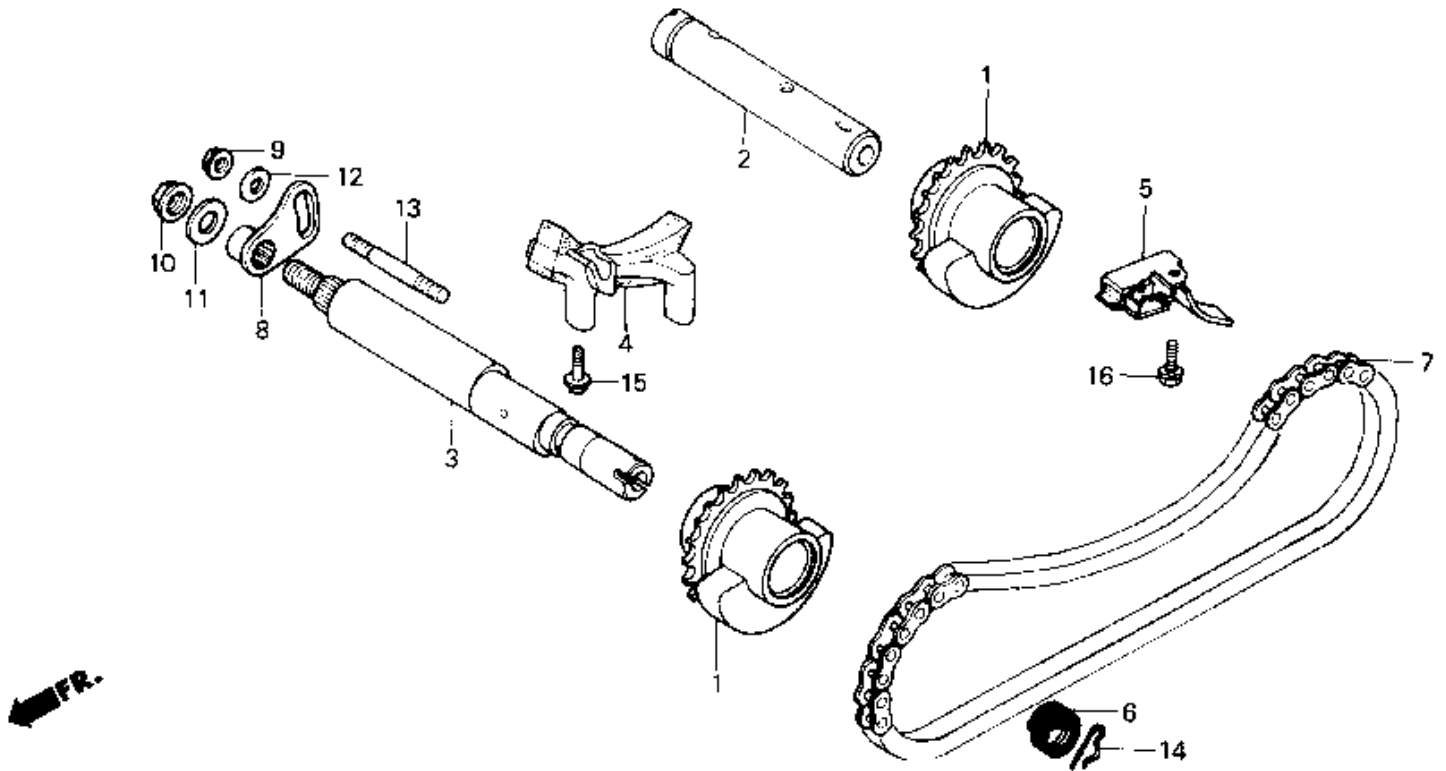


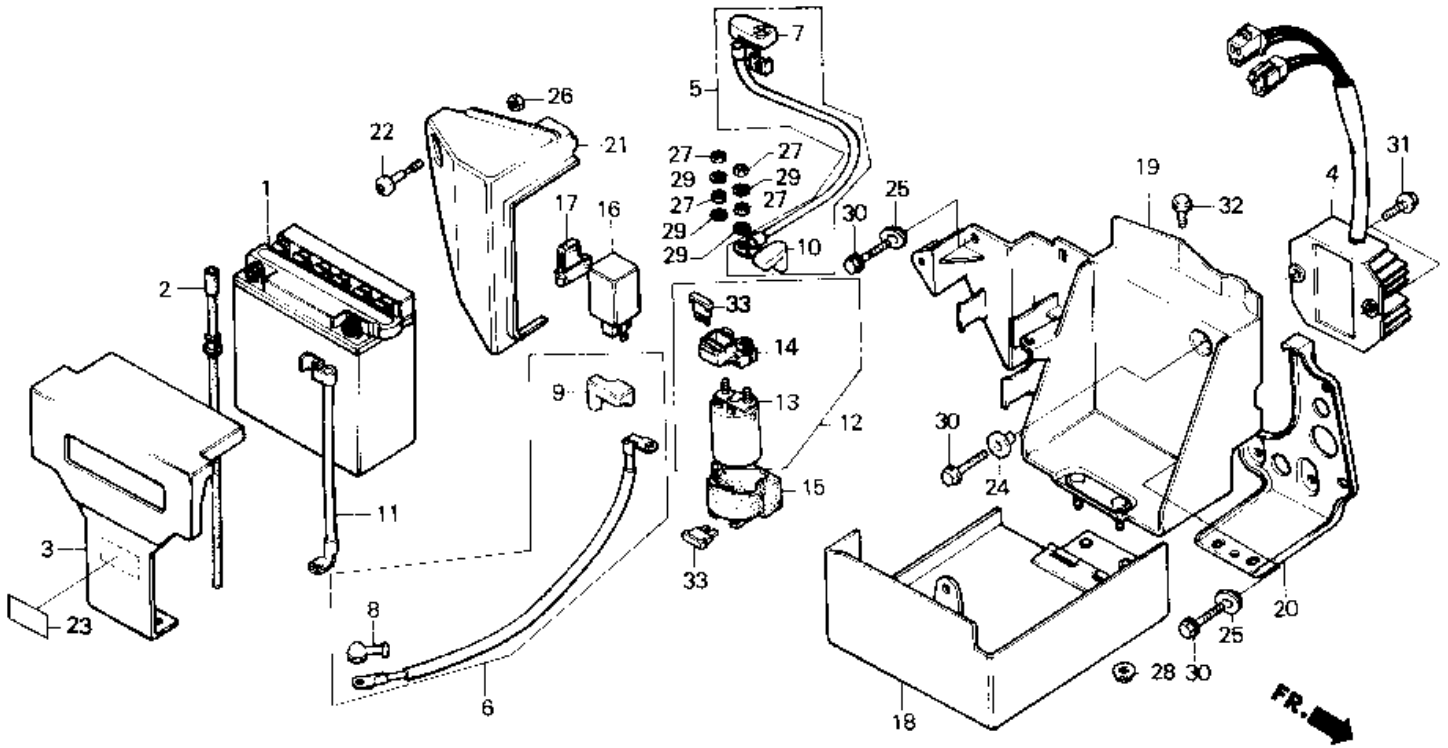
REF#	PART	#REQ	REMARKS	YOUR PRICE
01	COVER, A/CLNR HSG 17210-MM2-000	001		\$72.83
02	ELEMENT, AIR CLEANER 17213-MM2-770	001		\$21.00
03	SEAL 17222-MN4-405	001		\$4.45
03	SEAL 17222-MN4-405	001		\$4.45
04	LID, A/CLNR HSG 17220-MM2-505	001		\$22.65
05	CASE, AIR CLEANER 17231-MM2-770	001		\$72.34
06	TUBE 17240-MM2-000	001		\$16.44
07	TUBE, R. 17254-MM2-000	001		\$10.33
08	TUBE, L. 17255-MM2-000	001		\$10.33
09	BAND, IN. TUBE 17257-HA0-000	002		\$5.67
10	TUBE, DRAIN 17363-MM2-770	001		\$4.38
11	TUBE, BREATHER 17368-MM2-000	001		\$9.81
12	PLUG, BREATHER TUBE 17370-419-700	001		\$2.04
13	STAY 17450-MM2-750	001		\$5.68
14	TANK, STORAGE 17551-MM2-770	001		\$13.57

15	GROM, STORAGE TANK 17552-MA1-000	001	\$4.69
16	CLIP (16MM) 18534-634-670	002	\$2.34
17	COLLAR, TAILLIGHT 33714-KG1-000	003	\$2.90
18	LOCK, FILLER LID 37220-439-007	001	\$26.33
19	SPRING 37221-MM2-000	001	\$3.51
20	BOX, TOOL 83501-MM2-000	001	\$24.96
21	LID, TOOL BOX 83502-MM2-000	001	\$7.73
22	BAG, SERVICE BOOK 77251-342-000	001	\$3.23
23	COLLAR, NUMBER PLATE 84706-KG0-000	001	\$1.64
24	BOLT, SPECIAL (6X35) 90128-MM2-000	003	\$2.30
25	WASHER 90522-028-000	002	\$1.65
26	COLLAR 90522-170-700	001	\$1.09
27	SCREW, PAN (4X25) 93500-04025-0G	002	\$0.35
28	NUT, CAP (6MM) 94021-06070-0S	001	\$0.39
29	CLIP, TUBE (A16) 95002-01160	001	\$1.69
30	CLIP, TUBE (D12) 95002-41050-00	001	\$0.88
31	BOLT, FLANGE (6X12) 95701-06012-00	003	\$0.57
31	BOLT, FLANGE (6X12) 95701-06012-00	003	\$0.57
32	BOLT, FLANGE (6X14) 95701-06014-07	001	\$0.39
32	BOLT, FLANGE (6X14) 95701-06014-07	001	\$0.39
33	BOLT, FLANGE (6X16) 95701-06016-07	001	\$0.39
33	BOLT, FLANGE (6X16) 95701-06016-07	001	\$0.39



REF#	PART	#REQ	REMARKS	YOUR PRICE
01	BALANCER 13410-MC0-000	002		\$94.51
02	SHAFT, RR. BALANCER 13411-413-010	001		\$31.93
03	SHAFT, FR. BALANCER 13412-413-000	001		\$69.38
04	SLIPPER A 13430-413-000	001		\$44.03
05	PLATE 13431-ML4-612	001		\$13.10
05	PLATE 13431-ML4-612	001		\$13.10
06	SPRING 13432-413-010	001		\$1.58
07	CHAIN, BALANCER 13440-ML4-611	001		\$32.19
08	PLATE 13615-413-000	001		\$16.27
09	NUT, SELF-LOCK (8MM) 90115-659-003	001		\$0.24
10	NUT (10MM) 90212-671-005	001		\$0.27
11	WASHER A (10MM) 90422-567-000	001		\$0.62
12	WASHER (8MM) 90483-028-000	001		\$0.84
13	BOLT, STUD (8X35) 92900-08019-0B	001		\$0.77
13	BOLT, STUD (8X35) 92900-08019-0B	001		\$0.77

13	BOLT, STUD (8X35) 92900-08019-0B	001	\$0.77
14	PIN, LOCK (16MM) 94251-16000	001	\$0.60
15	BOLT, FLANGE (6X28) 95700-06028-00	001	\$0.69
15	BOLT, FLANGE (6X28) 95701-06028-00	001	\$0.69
16	BOLT, FLANGE (8X16) 95700-08016-00	001	\$0.69
16	BOLT, FLANGE (8X16) 95701-08016-00	001	\$0.69



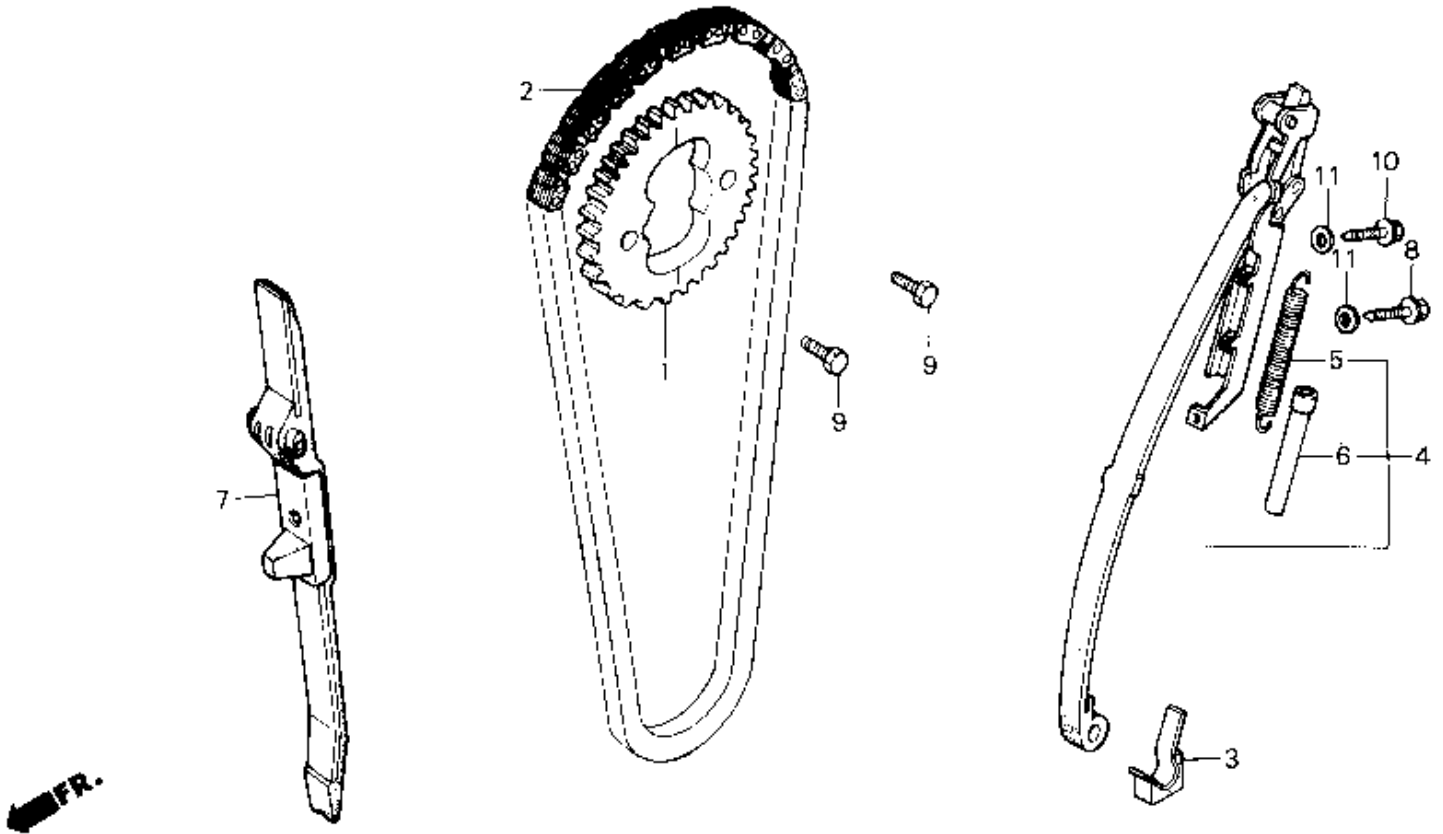
REF#	PART	#REQ	REMARKS	YOUR PRICE
01	BATTERY (12V12) 31500-460-672AH	001		\$40.18
01	BATTERY (12V12) 31500-460-672AH	001		\$40.18
01	BATTERY (12V12) 31500-460-672AH	001		\$40.18
01	BATTERY (12V12) 31500-460-672AH	001		\$40.18
01	BATTERY (12V12) 31500-460-672AH	001		\$40.18
02	TUBE BAT,BREATHER 31502-MK5-405	001		\$6.57
02	TUBE BAT,BREATHER 31502-MK5-405	001		\$6.57
03	CVR, BATTERY (INNER) 31506-MM2-000	001		\$15.55
04	RECTIFIER ASSY., REG 31600-MM2-405	001		\$158.09
04	RECTIFIER ASSY., REG 31600-MM2-405	001		\$158.09
05	CABLE 32401-MM2-000	001		\$13.68
06	CABLE, STARTER MOTOR 32410-MM2-000	001		\$19.39
07	COVER 32411-ML4-000	001		\$2.17
08	COVER 32411-230-000	001		\$4.31
08	COVER 32411-230-000	001		\$4.31
09	COVER A 32411-MC0-740	001		\$2.74

	32416-MC9-740		
10	COVER B 32417-MM2-000	001	\$2.37
11	CABLE ASSY., GROUND 32610-MM2-000	001	\$12.80
12	SWITCH ASSY. 35850-KR0-007	001	\$48.83
13	SWITCH 35851-MF5-751	001	\$53.63
14	HOLDER ASSY., FUSE 35855-MF5-751	001	\$17.18
15	RUB, SHOCK ABSORBER 35856-MF5-751	001	\$4.90
16	RELAY, TURN SIGNAL 38301-MF8-771	001	\$47.10
16	RELAY, TURN SIGNAL 38301-MG9-681	001	\$32.94
16	RELAY, TURN SIGNAL 38301-MG9-681	001	\$32.94
17	SUSPENSION 38306-GE7-000	001	\$2.60
17	SUSPENSION 38306-MF5-770	001	\$2.74
18	COVER, BATTERY 50320-MM2-770	001	\$48.17
19	TRAY, BATTERY 50325-MM2-000	001	\$49.69
20	PLATE, BATTERY TRAY 50327-MM2-770	001	\$9.69
21	COVER, ELECTRIC 83540-MM2-000	001	\$8.62
22	LATCH 83551-MM2-000	001	\$2.72
23	MARK 87506-MM2-670	001	\$2.21
24	WASHER (6X20) 90512-300-000	001	\$1.43
25	WASHER (6X9) 90513-323-000	002	\$0.90
26	NUT, HEX. (6MM) 94001-06200-0S	001	\$0.20
26	NUT, HEX. (6MM) 94001-06200-0S	001	\$0.20
27	NUT, HEX. (6MM) 94002-06080-0S	004	\$0.49
28	NUT, FLANGE (6MM) 94050-06000	002	\$0.57
29	WASHER, SPRING (6MM) 94111-06800	004	\$0.39
30	BOLT, FLANGE (6X12) 95700-06012-08	003	\$0.67
30	BOLT, FLANGE (6X12) 95701-06012-08	003	\$0.67
31	BOLT, FLANGE (6X22) 95701-06022-08	002	\$0.69
31	BOLT, FLANGE (6X22) 95701-06022-08	002	\$0.69
32	BOLT, FLANGE (6X10) 96001-06010-02	001	\$0.80
32	BOLT, FLANGE (6X10) 96001-06010-02	001	\$0.80

33 FUSE, BLADE (20A)
98200-32000

002

\$0.53

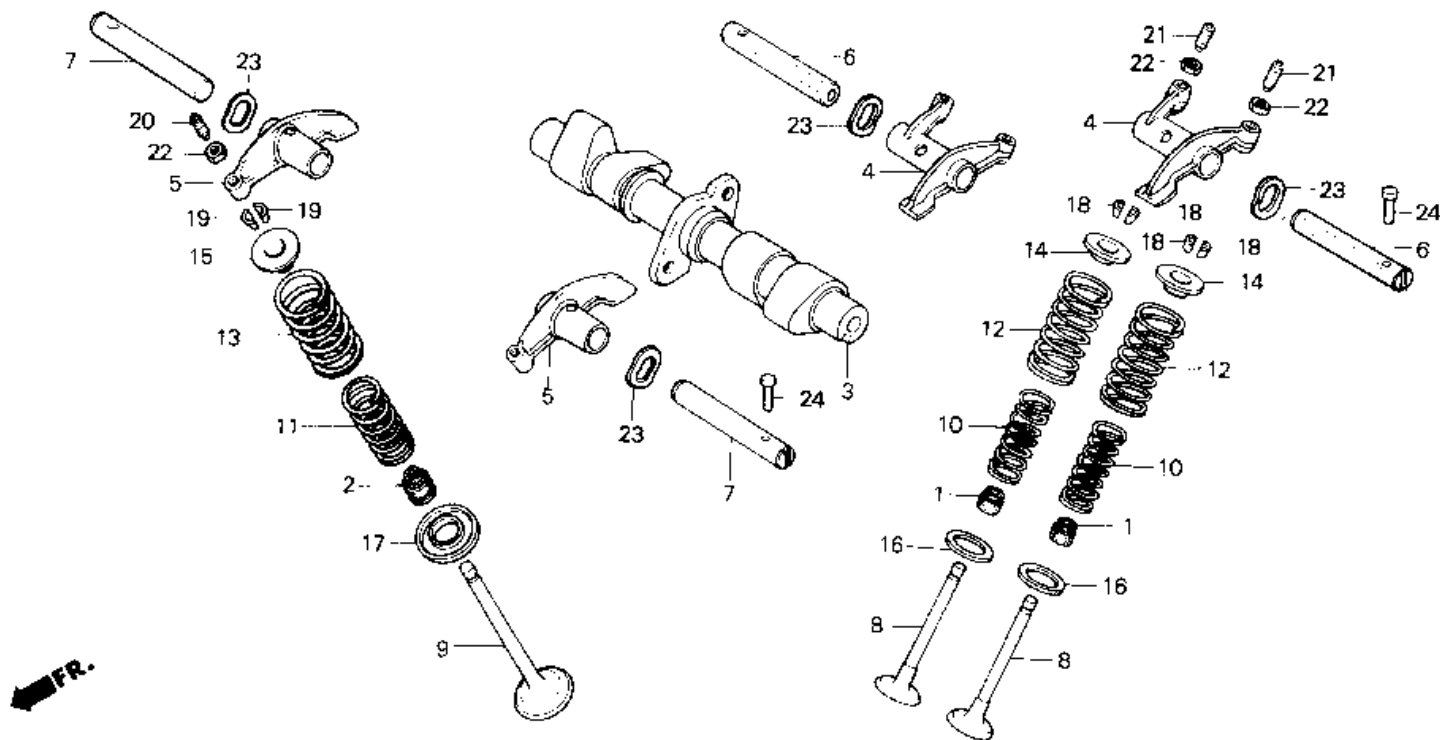


REF#	PART	#REQ	REMARKS	YOUR PRICE
01	SPROCKET, CAM 14321-413-010	001		\$29.53
02	CHAIN, CAM 14401-MR4-901	001		\$79.25
02	CHAIN, CAM 14401-MR4-901	001		\$79.25
02	CHAIN, CAM 14401-MR4-901	001		\$79.25
03	DAMPER, TENSIONER 14505-MC0-000	001		\$3.95
04	TENSIONER, CAM CHAIN 14510-MM2-670	001		\$82.94
05	SPRING 14516-MG8-003	001		\$2.65
06	TUBE 14539-MM2-670	001		\$5.68
07	GUIDE, CAM CHAIN 14620-ML4-610	001		\$23.51
08	BOLT (6X24) 90001-MEM-670	001		\$0.87
09	BOLT (7X13) 90086-MZ8-H00	002		\$1.65
09	BOLT (7X13) 90086-MZ8-H00	002		\$1.65
10	BOLT, SPECIAL (6X28) 90125-KB4-670	001		\$2.06
10	BOLT, SPECIAL (6X28) 90125-KB4-670	001		\$2.06

11 WASHER (6MM)
90441-706-000

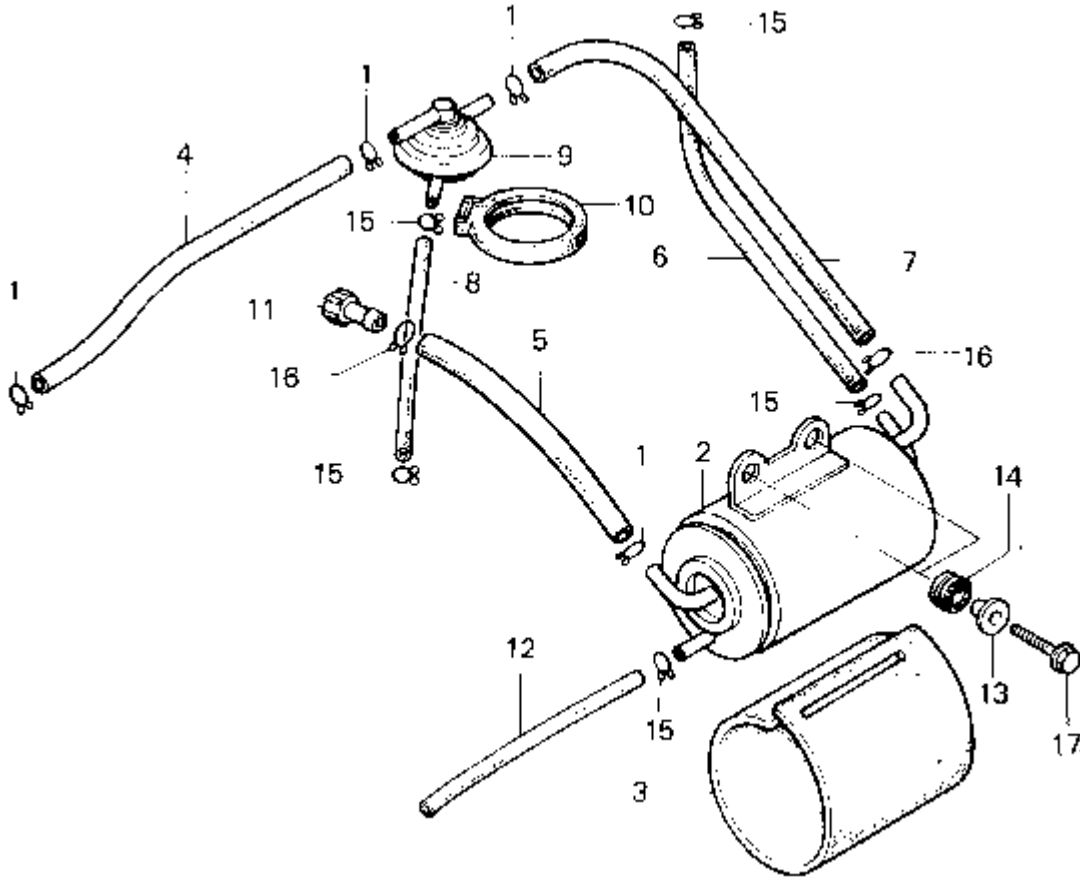
002

\$0.69



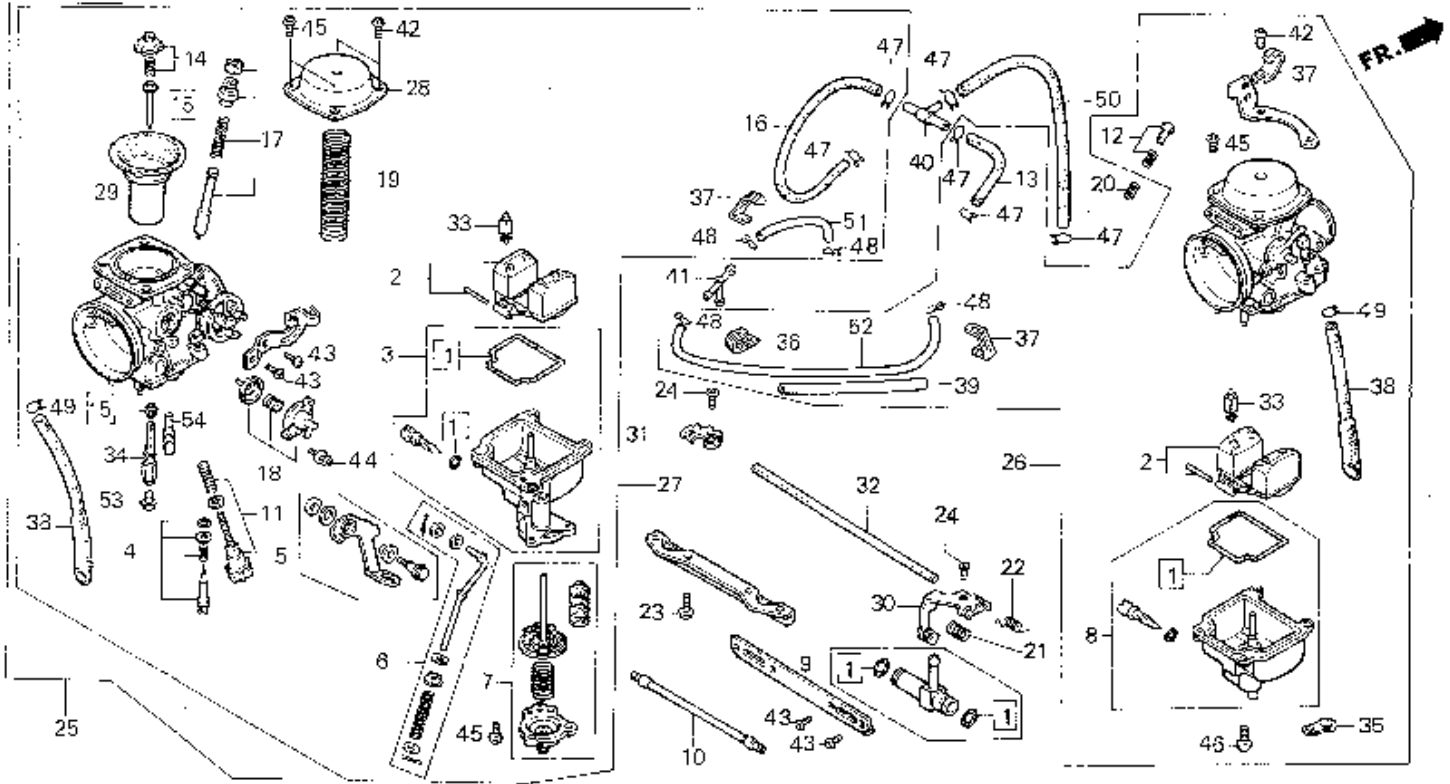
REF#	PART	#REQ	REMARKS	YOUR PRICE
01	SEAL, VALVE STEM 12208-413-003	004		\$6.89
02	SEAL, VALVE STEM 12209-413-003	002		\$8.02
03	CAMSHAFT 14101-MM2-670	001		\$150.39
04	ARM, IN. VLV ROCKER 14421-MC0-010	002		\$59.08
05	ARM, EX. VLV ROCKER 14431-413-030	002		\$45.77
06	SHAFT 14451-ML4-610	002		\$13.01
07	SHAFT 14452-ML4-610	002		\$8.47
08	VALVE, IN. 14711-KK9-960	004		\$15.95
09	VALVE, EX. 14721-MM2-670	002		\$33.95
10	SPRING, IN. VALVE 14751-ML4-611	004		\$3.01
11	SPRING, EX. VALVE 14752-ML4-611	002		\$3.47
12	SPRING, IN. VALVE 14761-MF5-004	004		\$6.19
13	SPRING, EX. VALVE 14762-ML4-611	002		\$4.94
14	RETAINER, VLV SPR 14771-107-020	004		\$4.44
15	RETAINER, VLV SPR 14771-413-000	002		\$5.99

16	SEAT, VALVE SPRING 14775-107-000	004	\$2.14
16	SEAT, VALVE SPRING 14775-ML4-611	004	\$2.07
17	SEAT, VALVE SPRING 14775-413-000	002	\$1.65
18	COTTER, VALVE 14781-MB4-000	008	\$1.97
19	COTTER, VALVE 14781-MB9-000	004	\$1.95
20	SCREW, TAPPET ADJ 90012-KK9-960	002	\$2.81
21	SCREW, TAPPET ADJ. 90012-414-000	004	\$3.99
22	NUT, TAPPET ADJ. 90206-590-000	006	\$2.21
23	WASHER, WAVE (12MM) 90402-428-000	004	\$1.13
24	PIN 90701-ML4-610	004	\$1.22



REF#	PART	#REQ	REMARKS	YOUR PRICE
01	CLIP, TUBE 15772-MB3-000	004		\$1.15
02	CANISTER 17410-MM2-751	001		\$165.82
03	COVER, CANISTER 17412-MM2-750	001		\$16.35
04	TUBE 17415-MM2-750	001		\$11.45
05	TUBE, AIR 17416-MM2-750	001		\$11.45
06	TUBE, TANK-CANISTER 17417-MM2-750	001		\$11.45
07	TUBE 17418-MM2-750	001		\$8.47
08	TUBE, CARBURETOR 17419-MM2-750	001		\$4.45
09	VALVE, PURGE CONTROL 17440-MK7-710	001		\$50.48
10	RUBBER 17451-ME5-760	001		\$6.51
11	PLUG 17467-ME9-750	001		\$5.17
12	TUBE, CANISTER DRAIN 18388-MJ1-790	001		\$5.68
13	COLLAR, SETTING 61104-422-000	002		\$3.81

14	RUBBER 84703-425-000	002	\$2.59
15	CLIP, TUBE (B8) 95002-02080	005	\$0.59
16	CLIP, TUBE (B12.5) 95002-02130	002	\$0.36
17	BOLT, FLANGE (6X22) 95701-06022-08	002	\$0.69
17	BOLT, FLANGE (6X22) 95701-06022-08	002	\$0.69

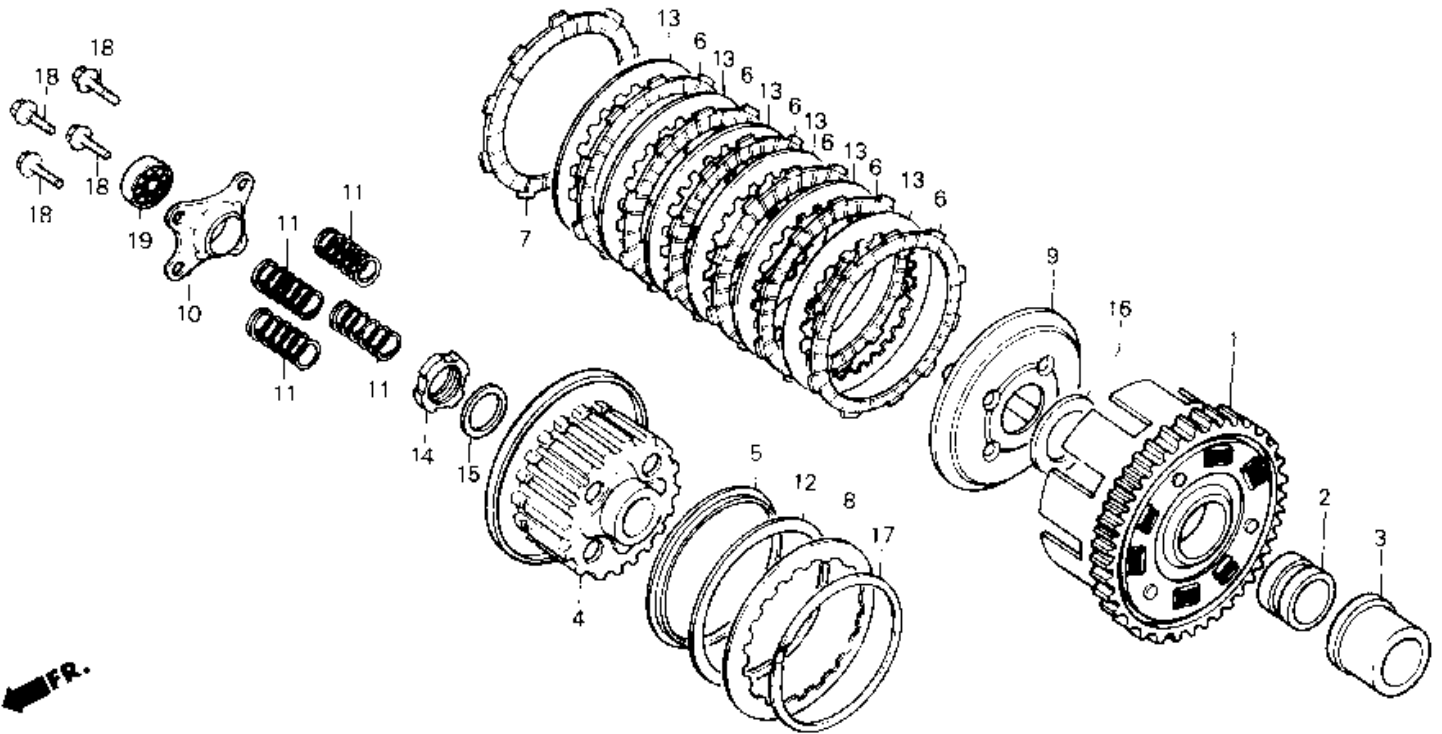


REF#	PART	#REQ	REMARKS	YOUR PRICE
01	GASKET SET 16010-MM2-671	002		\$15.96
02	FLOAT SET 16013-MA6-003	002		\$28.69
03	CHAMBER SET, FLOAT 16015-MM2-671	001		\$66.35
04	SCREW SET A 16016-KR3-671	002		\$9.83
04	SCREW SET A 16016-KR3-671	002		\$9.83
05	LINK SET 16017-MM2-671	001		\$25.03
06	ROD SET, PUMP 16019-MM2-671	001		\$10.71
07	DIAPHRAGM SET, PUMP 16021-MM2-671	001		\$46.10
08	CHAMBER SET,FLOAT 16045-MW3-A90	001		\$57.06
08	CHAMBER SET,FLOAT 16045-MW3-A90	001		\$57.06
08	CHAMBER SET,FLOAT 16045-MW3-A90	001		\$57.06
08	CHAMBER SET,FLOAT 16045-MW3-A90	001		\$57.06
08	CHAMBER SET,FLOAT 16045-MW3-A90	001		\$57.06
09	JOINT SET, FUEL 16026-MM2-671	001		\$16.21
10	JOINT SET, FUEL 16027-MM2-671	001		\$20.48

11	SCREW SET 16028-KR3-671	001	\$19.40
12	SCREW SET C 16029-KE8-004	001	\$10.37
13	TUBE SET A, FUEL 16034-MM2-671	001	\$5.54
14	PLATE SET, VALVE 16037-ME5-671	002	\$13.48
15	NEEDLE SET, JET 16012-MM2-771	002	\$21.43
16	TUBE SET B, FUEL 16042-MM2-671	001	\$4.61
17	VALVE SET, STARTER 16046-ME5-672	002	\$30.58
17	VALVE SET, STARTER 16046-ME5-672	002	\$30.58
18	VALVE SET, AIR CUT 16048-MR4-901	002	\$59.07
19	SPRING 16050-ML4-611	002	\$7.46
20	SPRING 16052-MB0-671	001	\$3.53
21	SPRING 16053-MM2-671	001	\$2.83
22	SPRING 16054-MA6-003	001	\$4.16
23	SCREW, PAN (6X12) 16080-ML4-611	004	\$1.64
24	SCREW, PAN (4X8) 16081-ML4-611	002	\$1.64
24	SCREW, PAN (4X8) 16081-ML4-611	002	\$1.64
25	CARBURETOR ASSY. 16100-MM2-762	001	\$552.43
25	CARBURETOR ASSY. 16100-MM2-762	001	\$552.43
25	CARBURETOR ASSY. 16100-MM2-772	001	\$458.96
25	CARBURETOR ASSY. 16100-MM2-772	001	\$458.96
26	CARBURETOR ASSY., R. 16101-MM2-762	001	\$255.64
26	CARBURETOR ASSY., R. 16101-MM2-762	001	\$255.64
26	CARBURETOR ASSY., R. 16101-MM2-773	001	\$240.58
26	CARBURETOR ASSY., R. 16101-MM2-773	001	\$240.58
26	CARBURETOR ASSY., R. 16101-MM2-773	001	\$240.58
27	CARBURETOR ASSY., L. 16102-MM2-763	001	\$262.98
27	CARBURETOR ASSY., L. 16102-MM2-763	001	\$262.98
27	CARBURETOR ASSY., L. 16102-MM2-763	001	\$262.98
27	CARBURETOR ASSY., L. 16102-MM2-773	001	\$262.98
27	CARBURETOR ASSY., L. 16102-MM2-773	001	\$262.98
27	CARBURETOR ASSY., L. 16102-MM2-773	001	\$262.98

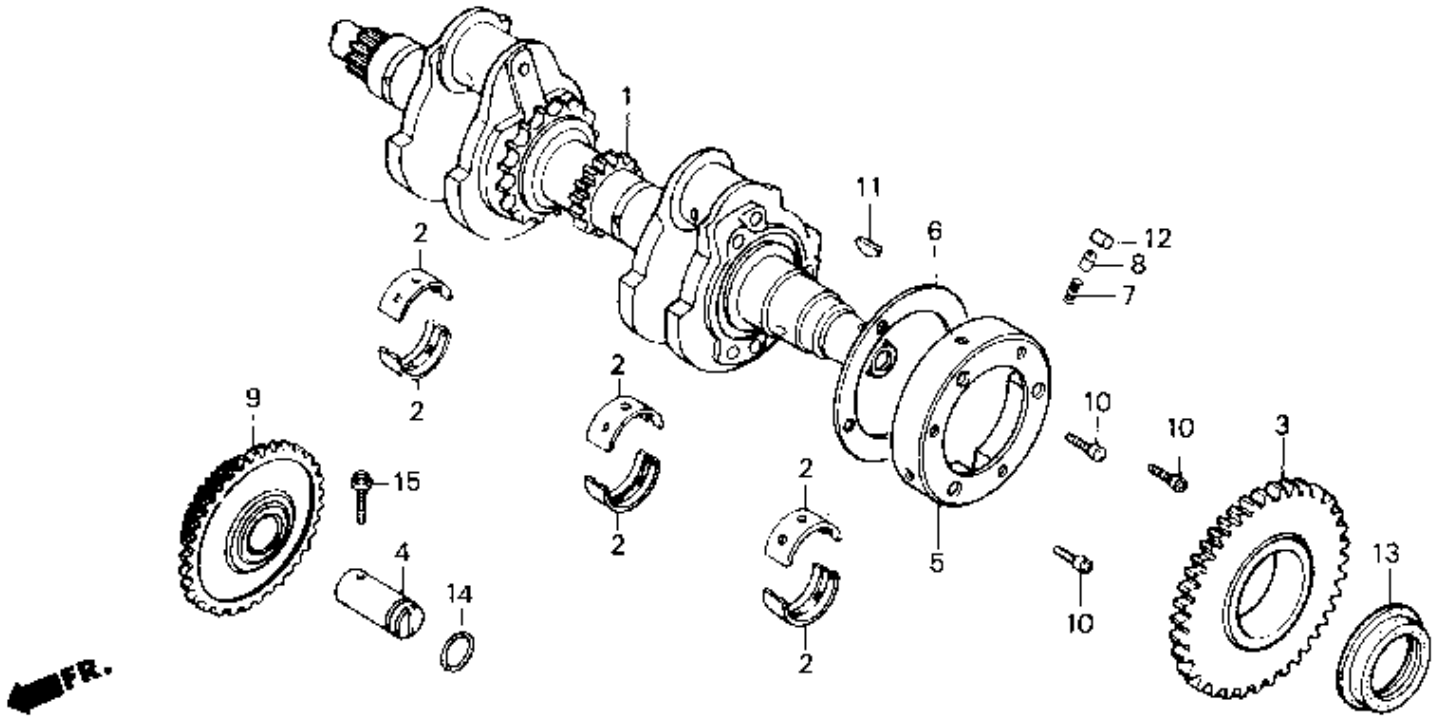
28	TOP 16108-MJ1-671	002	\$19.67
28	TOP 16108-MJ1-671	002	\$19.67
29	PISTON, VACUUM 16111-MM2-771	002	\$57.64
30	LEVER, STARTER 16120-ML4-611	001	\$10.72
30	LEVER, STARTER 16120-ML4-611	001	\$10.72
31	LEVER, STARTER 16121-MA6-003	001	\$6.80
32	ROD, STARTER 16145-MM2-671	001	\$9.39
33	VALVE, FLOAT 16155-397-971	002	\$20.89
34	HOLDER, NEEDLE JET 16165-HC4-003	002	\$15.83
34	HOLDER, NEEDLE JET 16165-HC4-003	002	\$15.83
35	BINDER 16179-HA0-003	002	\$6.47
36	BINDER 16179-MJ1-871	001	\$6.05
37	CLIP, PLATE 17191-MN5-740	001	\$1.78
37	CLIP, PLATE 17191-MN5-740	003	\$1.78
37	CLIP, PLATE 17191-MN5-740	003	\$1.78
37	CLIP, PLATE 17191-MN5-740	001	\$1.78
38	TUBE, AIR VENT 16198-MM2-671	002	\$2.97
39	TUBE 16199-MM2-751	001	\$4.51
40	JOINT, VACUUM TUBE 17201-MG9-000	001	\$9.63
41	JOINT 17635-HA7-670	001	\$5.68
42	SCREW, PAN (4X8) 93500-04008-0A	006	\$0.35
43	SCREW, PAN (5X10) 93500-05010-0A	006	\$0.36
44	SCREW-WASHER (4X10) 93892-04010-08	004	\$0.48
45	SCREW-WASHER (4X12) 93892-04012-00	005	\$0.22
46	SCREW-WASHER (4X12) 93892-04014-00	008	\$0.22
47	CLIP, TUBE (B7) 95002-02070	006	\$0.59
48	CLIP, TUBE (B8) 95002-02080	004	\$0.59
49	CLIP, TUBE (B6.5) 95002-02650	002	\$0.59
50	BULK HOSE (3.5X8000) 95005-35008-10M	001	\$37.76
51	BULK HOSE (4.5X1000) 95005-45001-10M	001	\$7.99
52	BULK HOSE (4.5X1000) 95005-45001-10M	001	\$7.99

53	JET (#112) 99101-GHB-1120	002	\$4.83
53	JET (#112) 99101-GHB-1120	002	\$4.83
54	JET, SLOW (#38) 99103-MA4-0380	002	\$13.79



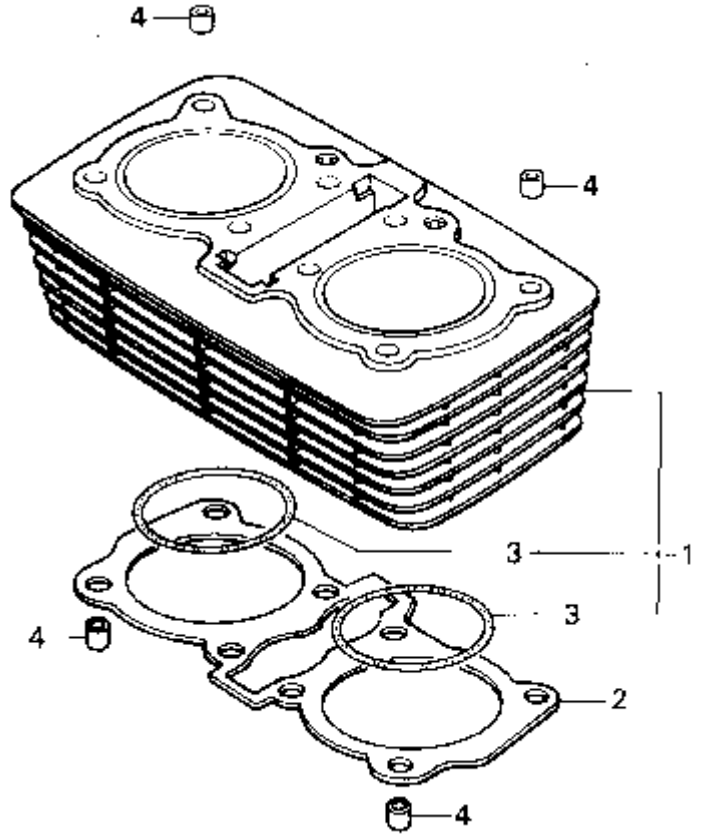
REF#	PART	#REQ	REMARKS	YOUR PRICE
01	CLUTCH (OUTER) 22100-ML4-610	001		\$200.06
02	GUIDE, CLUTCH 22116-MM2-670	001		\$13.40
03	COLLAR (25MM) 22118-ML4-610	001		\$14.07
04	CENTER, CLUTCH 22120-413-000	001		\$48.83
05	SEAT, DISK SPRING 22125-333-000	001		\$3.46
06	DISK, CL FRICTION 22201-ML4-610	006		\$8.75
07	DISK B, CL FRICTION 22202-ML4-611	001		\$8.81
07	DISK B, CL FRICTION 22202-ML4-611	001		\$8.81
08	PLATE B, CLUTCH 22321-333-010	001		\$7.73
09	PLATE, CLU PRESS 22350-413-000	001		\$33.82
10	PLATE, CLUTCH LIFTER 22361-413-010	001		\$10.93
11	SPRING, CLUTCH 22401-ML4-610	004		\$2.24
12	SPRING, DISK 22402-333-003	001		\$22.60
13	PLATE A, CLUTCH 23311-413-000	006		\$5.47
14	NUT, LOCK (20MM) 90231-ML4-610	001		\$4.34
15	WASHER (20MM) 00422-ML4-610	001		\$5.07

	90432-ML4-610		
16	WASHER (25X45X0.8) 90458-MC0-000	001	\$3.15
18	BOLT, FLANGE (6X20) 95701-06020-00	004	\$0.48
18	BOLT, FLANGE (6X20) 95701-06020-00	004	\$0.48
18	BOLT, FLANGE (6X20) 95701-06020-00	004	\$0.48
18	BOLT, FLANGE (6X20) 95701-06020-00	004	\$0.48
18	BOLT, FLANGE (6X20) 95701-06020-00	004	\$0.48
19	BEARING (6000) 96100-60000-00	001	\$5.08



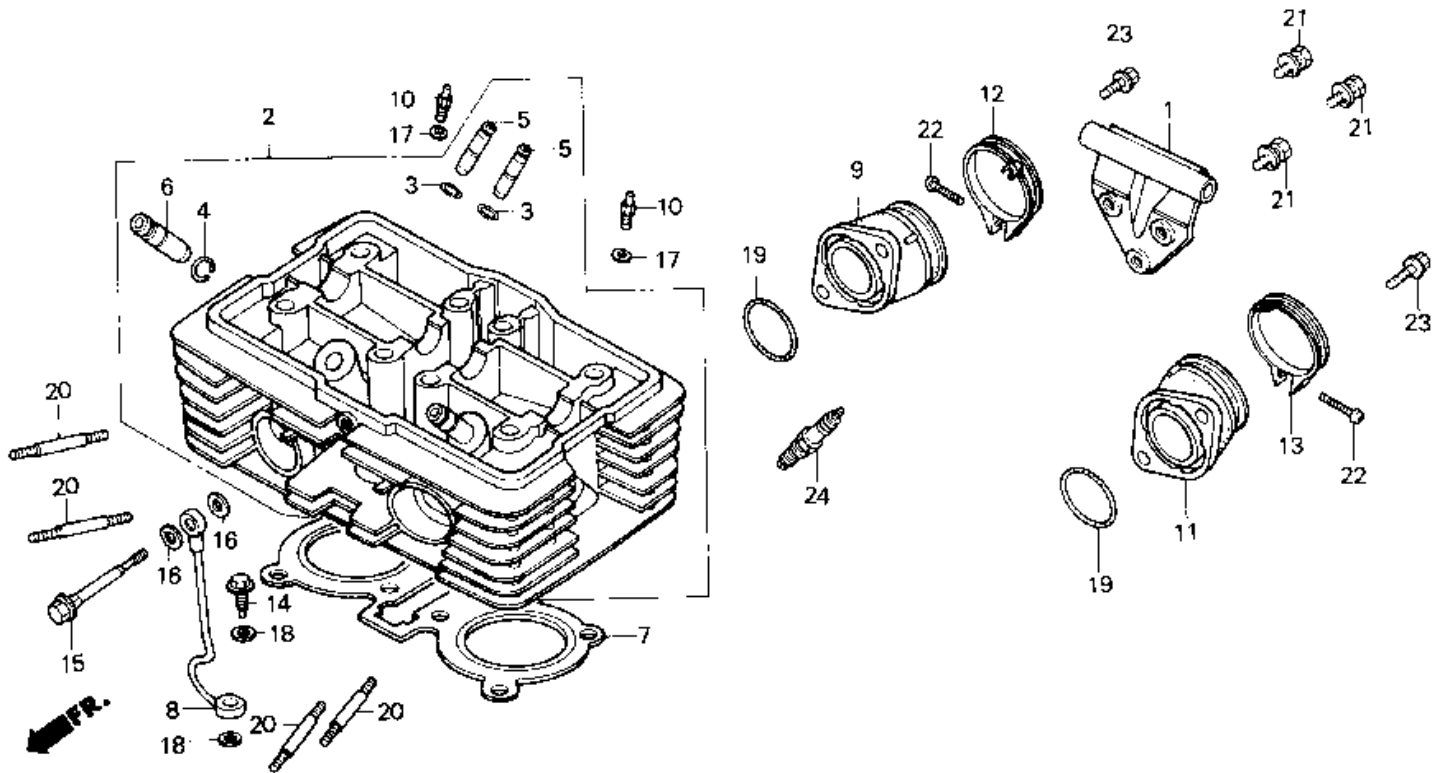
REF#	PART	#REQ	REMARKS	YOUR PRICE
01	CRANKSHAFT 13300-ML4-610	001		\$523.33
02	BEARING A, MAIN 13314-MC0-005	006		\$8.16
02	BEARING B, MAIN 13315-MC0-005	006		\$8.09
02	BEARING C, MAIN 13316-MC0-005	006		\$8.09
02	BEARING D, MAIN 13317-MC0-005	006		\$8.16
02	BEARING E, MAIN 13318-MC0-005	006		\$8.16
03	GEAR (41T) 28110-ML4-610	001		\$80.43
04	SHAFT 28114-413-780	001		\$9.25
05	CLUTCH, STARTING 28120-ML4-611	001		\$88.40
06	WASHER (68MM) 28124-ML4-610	001		\$13.48
07	SPRING 28125-516-030	003		\$1.29
08	CAP 28126-415-000	003		\$9.16
09	GEAR (78T/16T) 28130-ML4-610	001		\$55.16
10	BOLT, SOCKET 8MM 90010-KCJ-690	003		\$2.48
10	BOLT, SOCKET 8MM 90010-KCJ-690	003		\$2.48
11	KEY, WOODRUFF 90741-413-000	001		\$1.29

12	ROLLER (15X12.5) 91101-443-900	003	\$2.14
13	OIL SEAL (30X45X8) 91201-323-005	001	\$7.27
14	O-RING (11.5X2) 91304-216-000	001	\$0.83
15	BOLT, FLANGE (6X20) 95701-06020-00	001	\$0.48
15	BOLT, FLANGE (6X20) 95701-06020-00	001	\$0.48



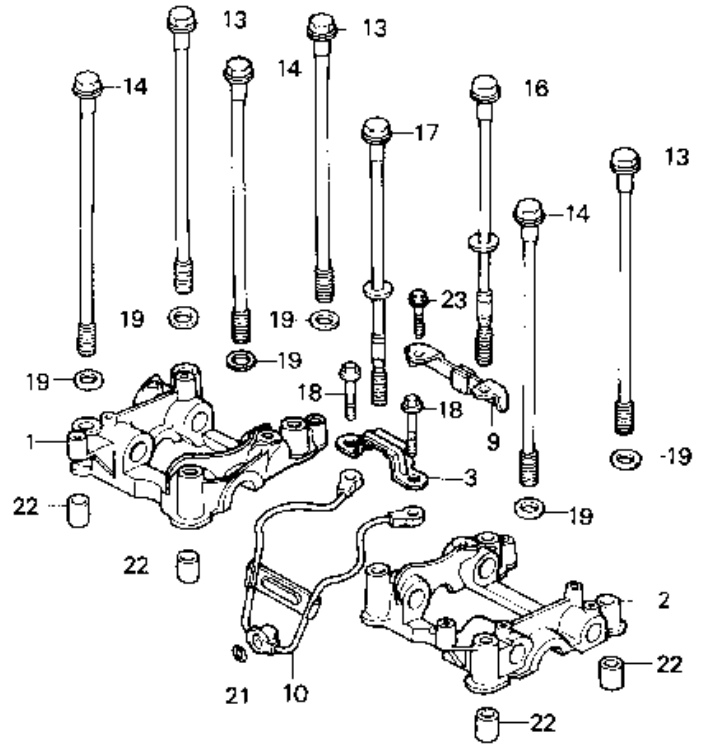
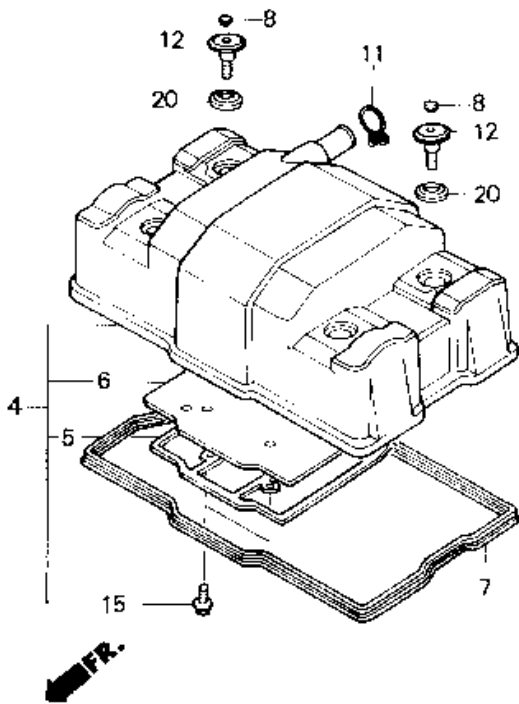
FR.

REF#	PART	#REQ	REMARKS	YOUR PRICE
01	CYLINDER 12100-MM2-670	001		\$419.66
02	GASKET, CYLINDER 12191-ML4-306	001		\$5.43
02	GASKET, CYLINDER 12191-ML4-306	001		\$5.43
03	O-RING (78.3X2) 91304-HA0-003	002		\$2.91
04	PIN, DOWEL (14X20) 94301-14200	004		\$0.98



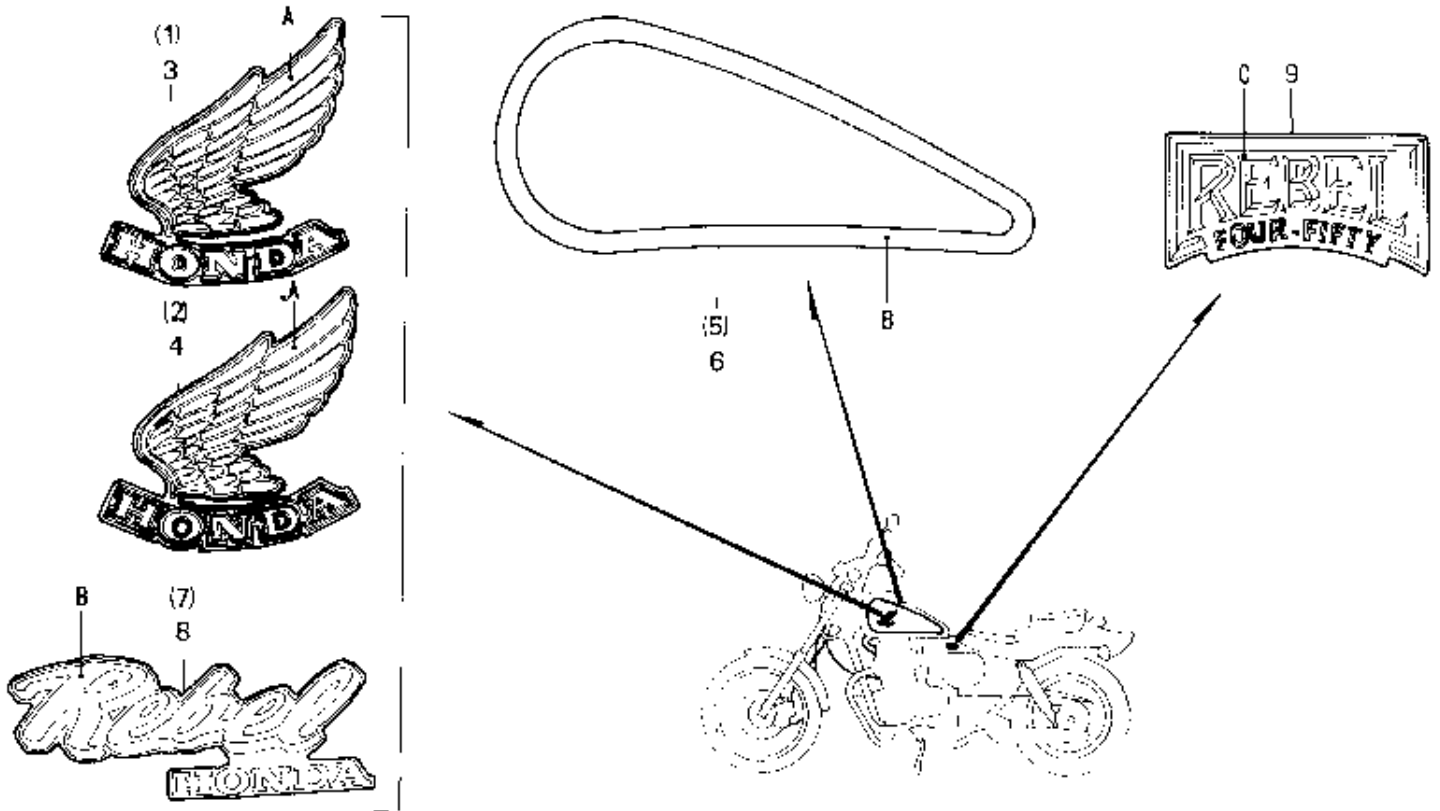
REF#	PART	#REQ	REMARKS	YOUR PRICE
01	PLATE, ENGINE HANGER 11851-MM2-670	001		\$17.65
02	CYLINDER HEAD 12200-MM2-671	001		\$461.26
03	CLIP, VALVE GUIDE 12211-ML4-610	004		\$0.81
04	CLIP, VALVE GUIDE 12211-250-310	002		\$1.46
05	GUIDE, VALVE 12231-ML4-305	004		\$7.34
06	GUIDE, EX. VALVE 12241-ML4-305	002		\$12.00
07	GASKET, CYL HD 12251-MR4-901	001		\$23.37
07	GASKET, CYL HD 12251-MR4-901	001		\$23.37
07	GASKET, CYL HD 12251-MR4-901	001		\$23.37
08	PIPE B, OIL 15520-MM2-670	001		\$27.64
09	INSULATOR, R. CARB 16211-MM2-670	001		\$21.10
10	JOINT, BOOSTER 16214-MB0-000	002		\$2.70
11	INSULATOR, L. CARB 16221-MM2-670	001		\$21.10
12	BAND, R. INSULATOR 16223-MM2-670	001		\$4.30
13	BAND, L. INSULATOR 16224-KT6-000	001		\$7.38

14	BOLT, OIL CONTROL 90045-MM2-670	001	\$13.62
15	BOLT, SPECIAL (6MM) 90130-ML4-610	001	\$2.74
16	WASHER (7MM) 90441-MC0-000	002	\$1.13
17	WASHER (5MM) 90452-323-000	002	\$0.66
18	WASHER, OIL BOLT 90545-300-000	002	\$1.71
18	WASHER, OIL BOLT 90545-300-000	002	\$1.71
19	O-RING (40X2.4) 91325-413-830	002	\$4.26
20	BOLT 2, STUD (6X50) 92900-06050-0E	004	\$1.01
21	BOLT-WASHER (8X20) 93482-08020-08	003	\$0.55
22	SCREW, PAN (5X20) 93500-05020-0G	002	\$0.36
23	BOLT (6X18) 90004-ML4-610	004	\$1.43
24	S/PLG (DPR7EA-9) 98069-57916	(2)	\$1.78
24	S/PLG (X22EPR-U9) 98069-57926	(2)	\$1.72
24	S/PLG (DPR8EA-9) 98069-58916	002	\$1.78
24	S/PLG (X24EPR-U9) 98069-58926	002	\$1.72
24	S/PLG (DPR9EA-9) 98069-59916	(2)	\$1.78
24	S/PLG (X27EPR-U9) 98069-59926	(2)	\$1.72

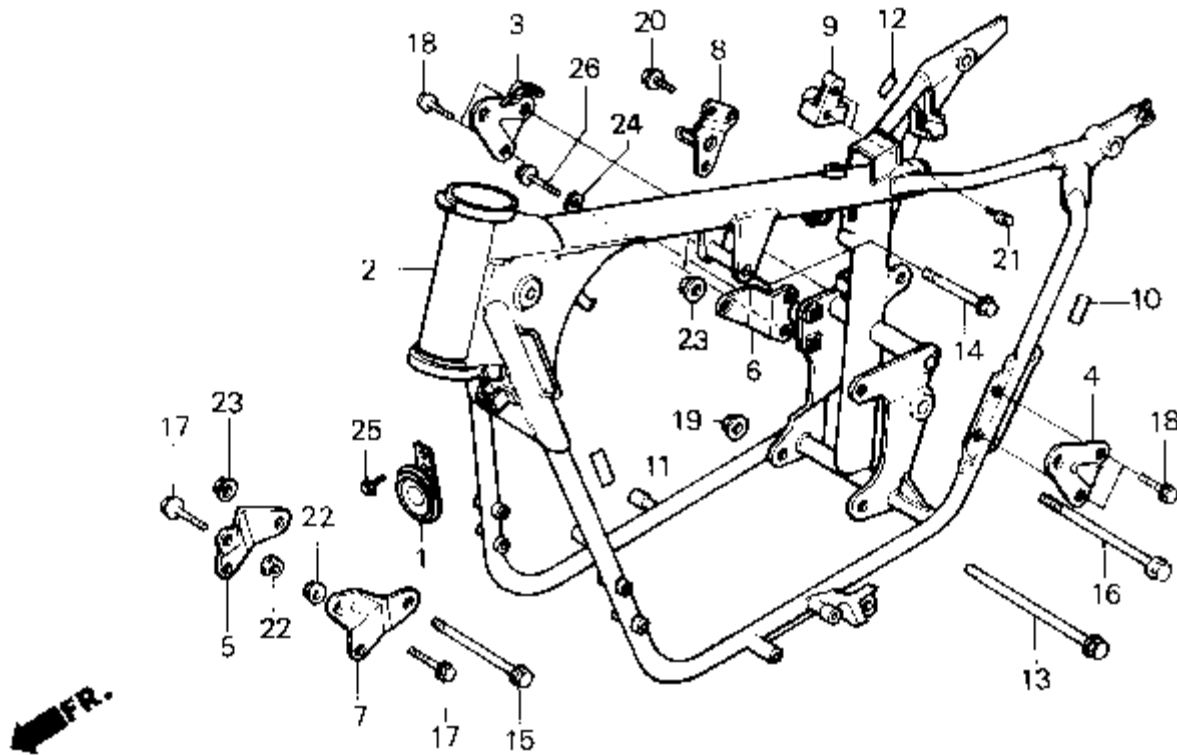


REF#	PART	#REQ	REMARKS	YOUR PRICE
01	HOLDER, R. CAMSHAFT 12210-ML4-610	001		\$57.96
02	HOLDER, L. CAMSHAFT 12220-ML4-610	001		\$57.96
03	PLATE, JOINT SETTING 12245-ML4-611	001		\$4.62
04	COVER, CYLINDER HEAD 12300-MM2-670	001		\$120.62
05	PLATE, BREATHER 12321-ML4-610	001		\$20.30
06	GSKT,BREATHER P 12322-ML4-306	001		\$4.45
06	GSKT,BREATHER P 12322-ML4-306	001		\$4.45
07	GASKET, CYL HD CVR 12391-ML4-610	001		\$10.92
09	STOPPER 14540-ML4-610	001		\$6.30
10	PIPE A, OIL 15480-ML4-610	001		\$41.37
12	BOLT, HEAD COVER 90003-ML4-611	004		\$5.61
13	BOLT, CYLINDER (212) 90081-MC0-000	003		\$10.28
14	BOLT, CYLINDER (222) 90083-MC0-000	003		\$10.28
15	BOLT, FLANGE (6X10) 90083-657-000	004		\$1.97
16	BOLT (212B) 90087-MC0-010	001		\$10.54

17	BOLT (222B) 90088-MC0-010	001	\$10.54
18	BOLT, FLANGE (6X35) 90140-MC0-000	002	\$1.53
19	WASHER (10MM) 90403-ML4-610	008	\$3.19
20	RUBBER, SETTING 90543-ML4-610	004	\$2.74
20	RUBBER, SETTING 90543-MV9-670	004	\$2.74
21	O-RING (8.5X1.7) 90751-MC0-000	001	\$0.90
22	PIN, DOWEL (14X20) 94301-14200	004	\$0.98
23	BOLT, FLANGE (6X14) 95701-06014-00	002	\$0.50
23	BOLT, FLANGE (6X14) 95701-06014-00	002	\$0.50

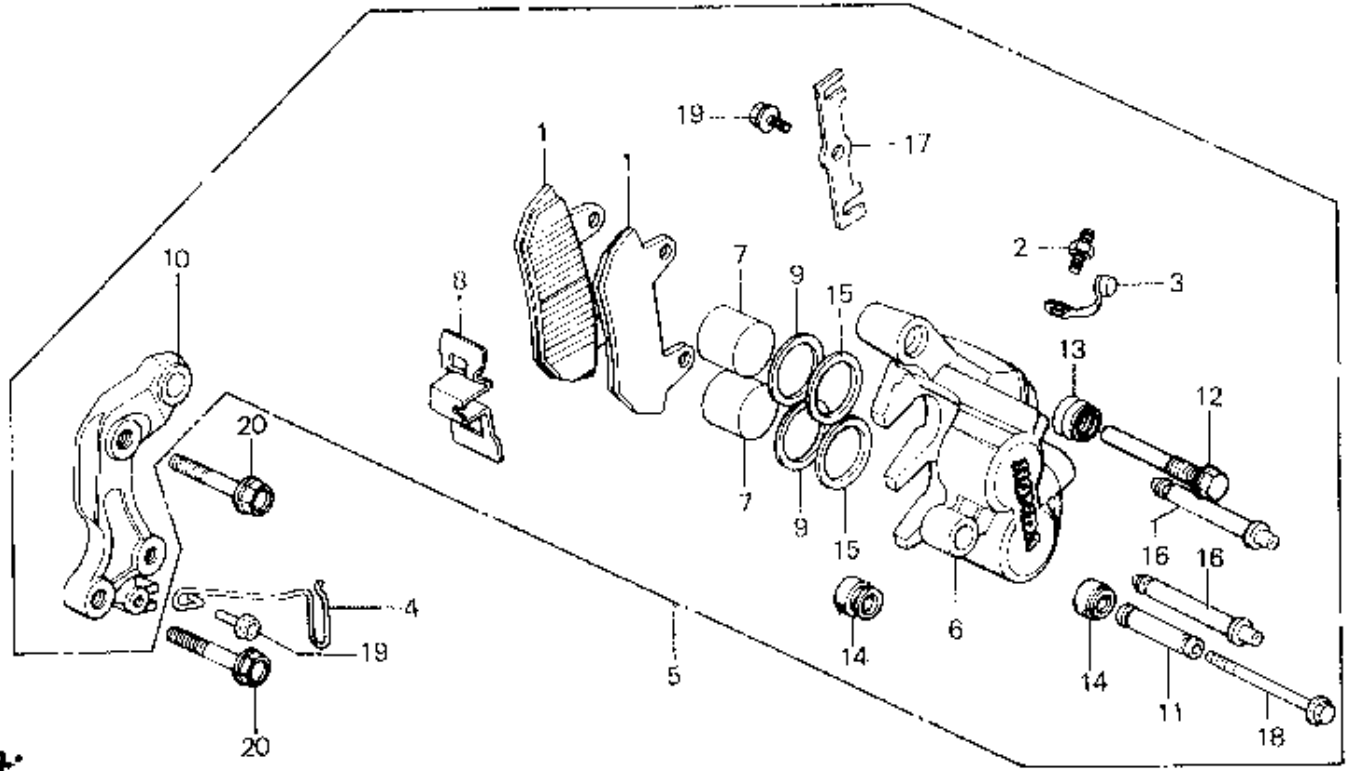


REF#	PART	#REQ	REMARKS	YOUR PRICE
05	STRIPE, R. (TYPE1) 87111-MM2-770ZA	001		\$29.96
05	STRIPE, R. (TYPE2) 87111-MM2-770ZB	001		\$29.96
06	STRIPE, L. (TYPE1) 87112-MM2-770ZA	001		\$29.96
06	STRIPE, L. (TYPE2) 87112-MM2-770ZB	001		\$29.96
07	MARK, R. (TYPE1) 87113-MM2-770ZA	001		\$10.35
07	MARK, R. (TYPE2) 87113-MM2-770ZB	001		\$10.12
08	MARK, L. (TYPE1) 87114-MM2-770ZA	001		\$10.35
08	MARK, L. (TYPE2) 87114-MM2-770ZB	001		\$11.73
09	EMBLEM, R. (TYPE1) 87125-MM2-300ZA	001		\$5.59



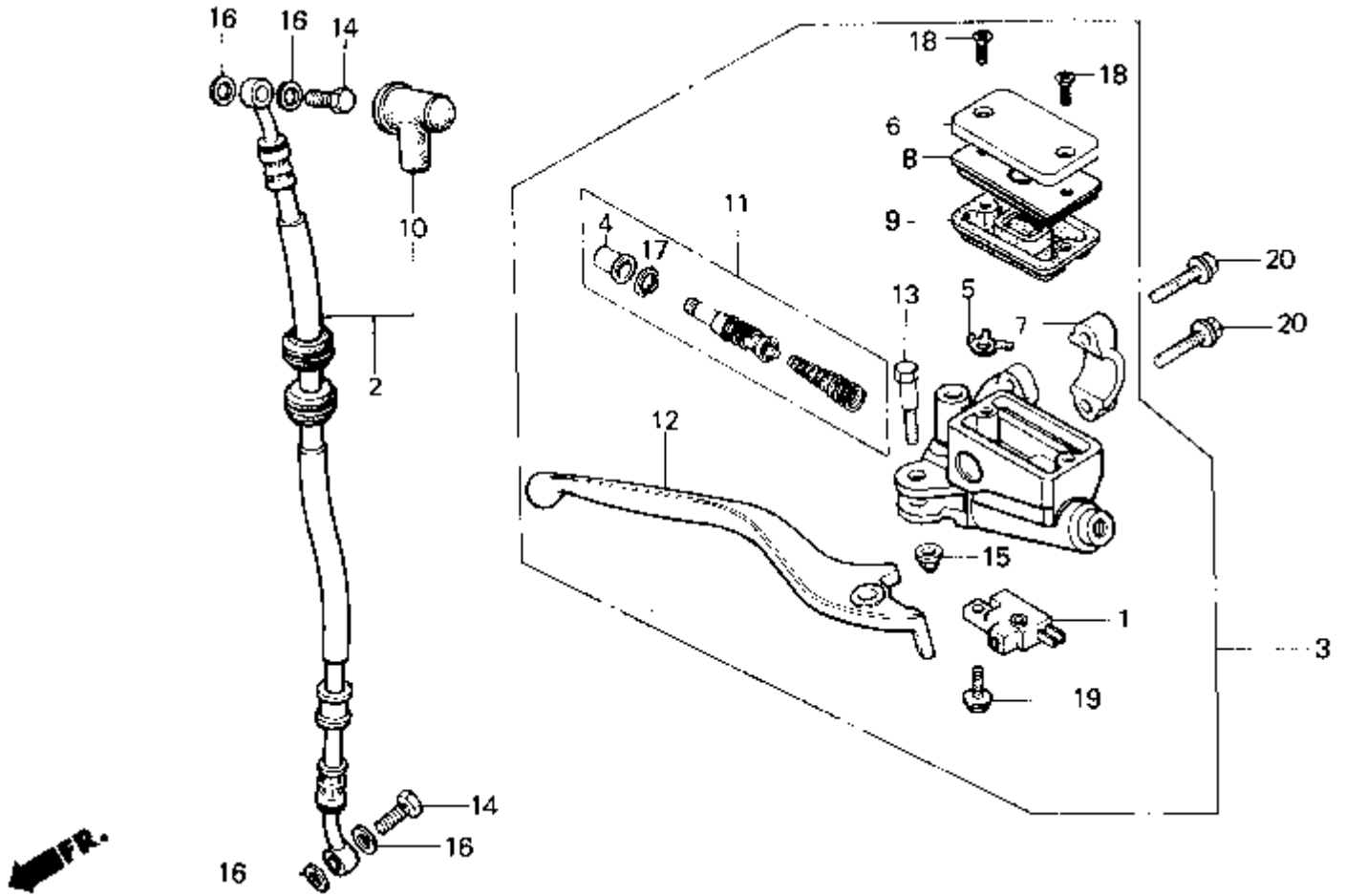
REF#	PART	#REQ	REMARKS	YOUR PRICE
01	HORN ASSY. (HIGH) 38110-MJ8-672	001		\$33.32
01	HORN ASSY. (HIGH) 38110-MJ8-672	001		\$33.32
02	FRAME 50100-MM2-760	001		\$1,022.67
02	FRAME 50100-MM2-770	001		\$1,022.67
03	PLATE, R. PIVOT 50341-MM2-000	001		\$9.48
04	PLATE, L. PIVOT 50351-MM2-000	001		\$6.29
05	PLATE, FR. ENG HGR 50353-MM2-000	001		\$8.26
06	STAY, R. RR. ENG HGR 50354-MM2-000	001		\$8.75
07	PLATE, L. FR. 50355-MM2-000	001		\$8.26
08	PLATE, R. ENG HGR 50358-MM2-000	001		\$8.09
09	HOLDER ASSY., HELMET 50710-086-007	001		\$32.19
09	HOLDER ASSY., HELMET 50710-371-007	001		\$32.19
10	DIAGRAM 87135-MM2-750	001		\$2.27
10	DIAGRAM 87135-MM2-760	001		\$2.27
11	LABEL, HIGH ALTITUDE 87139-463-670	001		\$3.54

12	LABEL, HELMET HOLDER 87511-KR3-670	001	\$1.64
13	BOLT A, ENG HGR 90103-187-000	001	\$6.68
14	BOLT, FLANGE (10X70) 95701-10070-00	001	\$1.25
14	BOLT, FLANGE (10X70) 95701-10070-00	001	\$1.25
15	BOLT, FLG (12X182) 90125-MM2-680	001	\$8.53
15	BOLT, FLG (12X182) 90125-MM2-680	001	\$8.53
16	BOLT (12X165) 90126-MM2-000	001	\$8.54
17	BOLT, SPECIAL (8X56) 90120-MM2-000	004	\$2.74
18	BOLT (10X22) 90130-MM2-000	004	\$2.35
19	NUT, FLANGE (10MM) 90308-382-670	001	\$2.42
20	BOLT, CAP (8X16) 92501-08016-0A	002	\$1.26
20	BOLT, CAP (8X16) 92501-08016-0A	002	\$1.26
21	SCREW-WASHER (6X12) 93891-06012-08	002	\$0.56
22	NUT, FLANGE (8MM) 94050-08000	004	\$0.53
23	NUT, FLANGE (12MM) 94050-12000	002	\$0.59
24	WASHER, PLAIN (8MM) 94101-08000	002	\$0.31
25	BOLT, FLANGE (6X10) 95701-06010-07	001	\$0.56
25	BOLT, FLANGE (6X10) 95701-06010-07	001	\$0.56
26	BOLT, FLANGE (8X20) 95700-08020-00	002	\$0.69
26	BOLT, FLANGE (8X20) 95701-08020-00	002	\$0.69



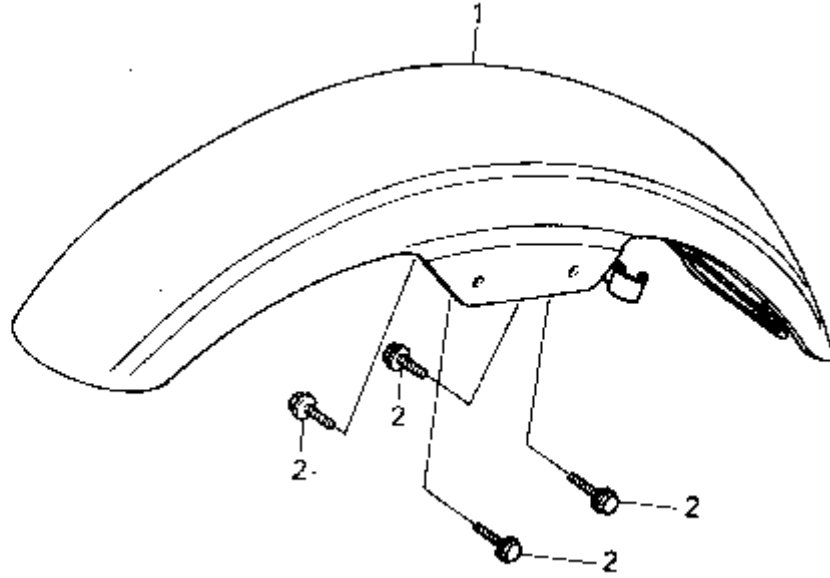
REF#	PART	#REQ	REMARKS	YOUR PRICE
01	PAD, RR. 43105-MJ6-724	002		\$16.04
01	PAD, RR. 43105-MJ6-724	002		\$16.04
01	PAD, RR. 43105-MJ6-724	002		\$16.04
01	PAD, RR. 43105-MJ6-724	002		\$16.04
02	SCREW, BLEEDER 43352-568-003	001		\$3.95
03	CAP, BLEEDER 43353-461-771	001		\$2.80
04	CLAMP 44832-ME2-000	001		\$4.59
05	CALIPER, L. FR. 45100-MM2-772	001		\$313.81
05	CALIPER, L. FR. 45100-MM2-772	001		\$313.81
06	CALIPER, L. 45101-MA3-006	001		\$107.91
07	PISTON 45107-MA3-006	002		\$24.37
08	SPRING, PAD 45108-MA3-006	001		\$3.14
09	DUST SEAL 45109-166-006	002		\$3.56
10	BRACKET, L. FR. 45110-MM2-771	001		\$73.75

11	SLEEVE 45111-MA3-006	001	\$7.13
12	PIN, BOLT 45131-MA3-006	001	\$9.41
13	BOOT B 45133-MA3-006	001	\$3.02
14	BOOT, PIN 45133-166-016	002	\$2.14
15	SEAL, PISTON 45209-166-006	002	\$3.21
16	PIN, HANGER 45215-MA3-006	002	\$5.82
17	PLATE 45217-MJ0-006	001	\$3.61
18	BOLT, FLANGE (8X49) 90180-MA3-006	001	\$2.69
19	BOLT, FLANGE (6X10) 95701-06010-07	002	\$0.56
19	BOLT, FLANGE (6X10) 95701-06010-07	002	\$0.56
20	BOLT, FLANGE (10X40) 95800-10040-00	002	\$0.87
20	BOLT, FLANGE (10X40) 95801-10040-00	002	\$0.87
20	BOLT, FLANGE 95814-10040-00	002	\$0.99

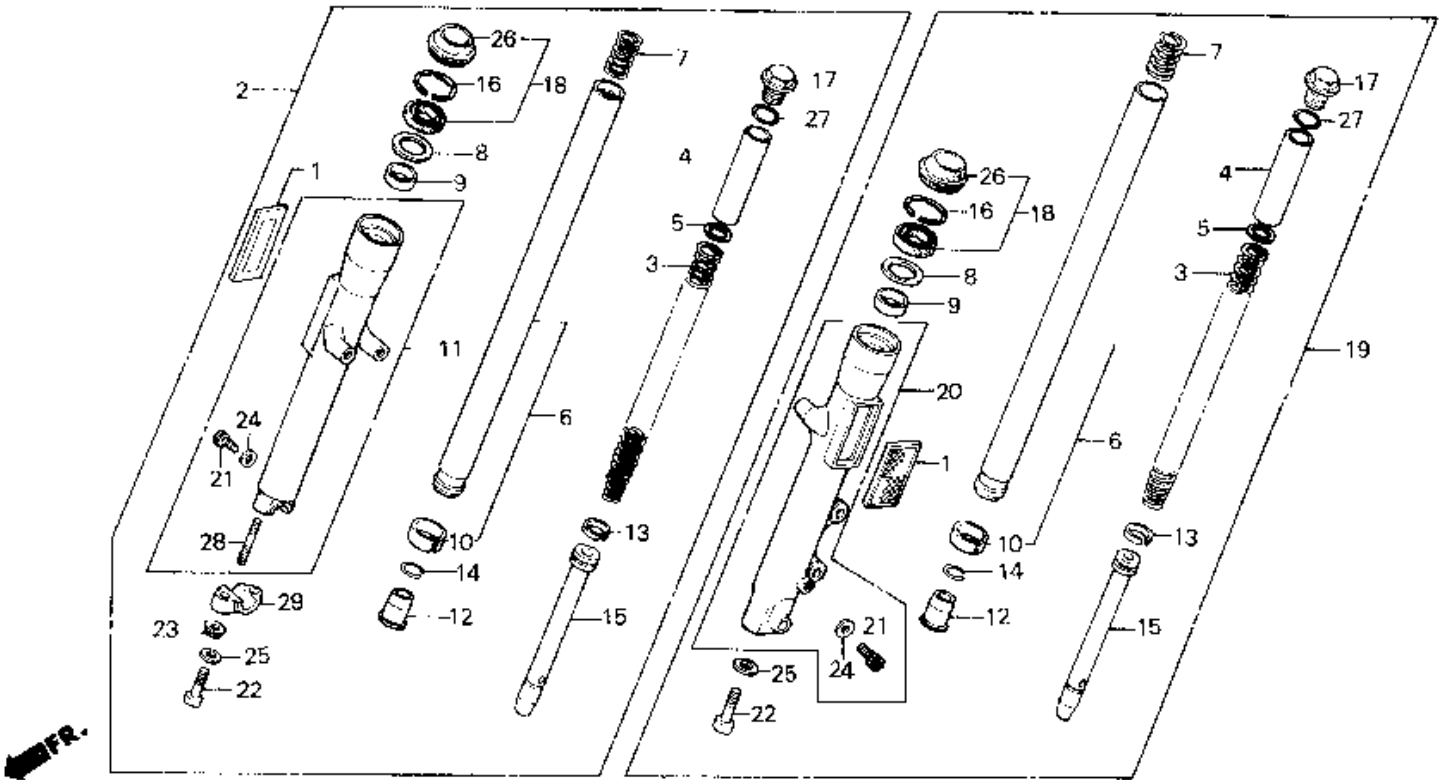


REF#	PART	#REQ	REMARKS	YOUR PRICE
01	SWITCH, FR. STOP 35340-MA5-671	001		\$13.08
02	HOSE, FR. BRAKE 45126-MM2-771	001		\$37.76
03	*45510-MM2-405 45500-MM2-771	001		\$158.73
04	BOOT 45504-410-003	001		\$6.51
05	PROTECTOR 45512-MA6-006	001		\$2.38
06	CAP, MASTER CYLINDER 45513-KE5-026	001		\$20.26
07	HOLDER 45517-MA5-671	001		\$15.67
08	PLATE, DIAPHRAGM 45518-MB4-671	001		\$6.48
09	DIAPHRAGM 45520-MA5-672	001		\$9.72
11	MASTER CYLINDER SET 45530-471-831	001		\$28.95
12	LEVER, R. HANDLEBAR 53175-KM9-006	001		\$11.33
13	BOLT, R. 90114-MA5-671	001		\$5.03

14	BOLT, OIL (10X22) 90145-KM3-751	002	\$5.33
14	BOLT, OIL (10X22) 90145-KM3-751	002	\$5.33
15	NUT, CAP (6MM) 90201-415-000	001	\$1.22
16	WASHER, OIL BOLT 90545-300-000	004	\$1.71
17	CIRCLIP 90651-MA5-671	001	\$1.46
18	SCREW, FLAT (4X12) 93600-04012-0G	002	\$0.36
18	SCREW, FLAT (4X12) 93600-04012-0G	002	\$0.36
19	SCREW-WASHER (4X12) 93893-04012-08	001	\$0.56
19	SCREW-WASHER (4X12) 93893-04012-08	001	\$0.56
20	BOLT, FLANGE (6X25) 96001-06025-07	002	\$0.67
20	BOLT, FLANGE (6X25) 96001-06025-07	002	\$0.67

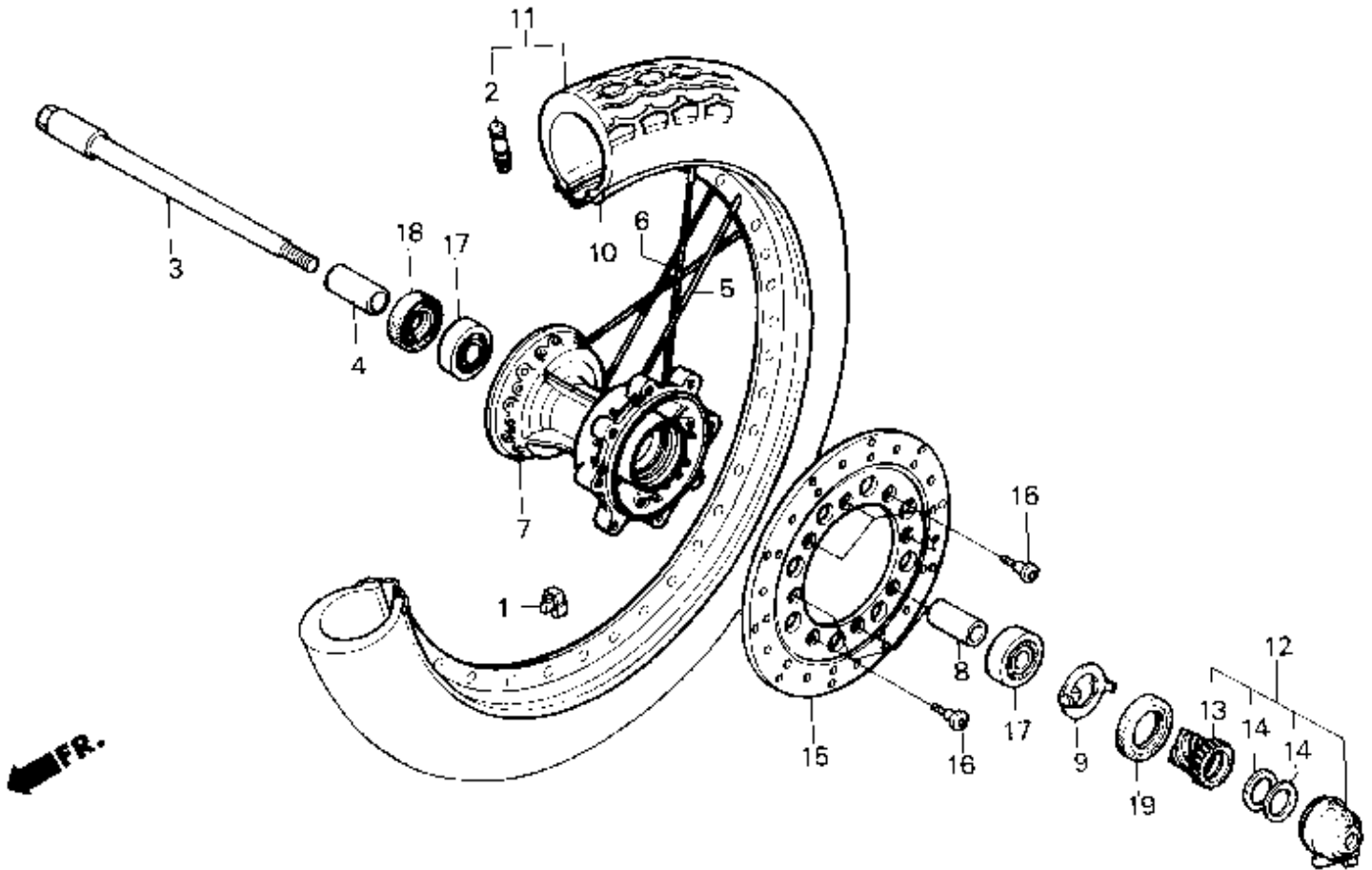


REF#	PART	#REQ	REMARKS	YOUR PRICE
01	FENDER, FR. *NH1* 61100-MM2-000ZC	001		\$136.09
01	FENDER, FR. *R101CU* 61100-MM2-000ZD	001		\$121.65
02	BOLT, FLANGE (6X14) 95701-06014-00	004		\$0.50
02	BOLT, FLANGE (6X14) 95701-06014-00	004		\$0.50



REF#	PART	#REQ	REMARKS	YOUR PRICE
01	REFLECTOR, FR. 33740-KR3-671	002		\$15.72
02	FORK ASSY., R. FR. 51400-MM2-671	001		\$428.81
03	SPRING, FR. FORK 51401-MM2-671	002		\$40.39
04	COLLAR, SPRING 51402-MF8-003	002		\$9.63
05	PLATE, SPRING JOINT 51403-ME4-003	002		\$3.60
06	PIPE, FR. FORK 51410-MM2-671	002		\$172.94
07	SPRING, FR. 51411-MG1-003	002		\$3.67
08	RING, BACK-UP 51412-461-003	002		\$3.91
09	BUSH, GUIDE 51414-MN4-003	002		\$6.73
09	BUSH, GUIDE 51414-MN4-003	002		\$6.73
10	BUSH, SLIDER 51415-MN4-003	002		\$8.54
10	BUSH, SLIDER 51415-MN4-003	002		\$8.54
11	CASE, R. (LOWER) 51421-MM2-671	001		\$187.77
12	PIECE, OIL LOCK 51432-ML7-003	002		\$15.46
13	RING, PISTON 51433-MF4-003	002		\$4.82

	51437-ME4-003		
14	RING, PISTON STOPPER 51439-340-300	002	\$1.64
15	PIPE, SEAT 51440-MM2-671	002	\$29.46
16	RING 51447-KR6-003	002	\$2.07
17	BOLT, FR. FORK 51454-MM2-671	002	\$15.37
18	SEAL SET, FR. FORK 51490-KAZ-003	002	\$16.87
18	SEAL SET, FR. FORK 51490-KAZ-003	002	\$16.87
19	FORK ASSY., L. FR. 51500-MM2-671	001	\$387.07
20	CASE, L. (LOWER) 51521-MM2-671	001	\$187.77
21	BOLT, SOCKET (6X8) 90111-MK7-671	002	\$1.58
22	BOLT, SOCKET (8MM) 90116-KV3-701	002	\$2.17
22	BOLT, SOCKET (8MM) 90116-KV3-701	002	\$2.17
23	NUT, FLANGE (8MM) 90309-428-731	002	\$2.09
23	NUT, FLANGE (8MM) 90309-428-731	002	\$2.09
24	GASKET, FR. 90543-273-000	002	\$1.13
25	WASHER (8MM) 90544-283-000	002	\$1.44
26	DUST SEAL 91254-KAZ-003	002	\$9.09
26	DUST SEAL 91254-KAZ-003	002	\$9.09
27	O-RING (30.2X2.4) 91356-MJ6-741	002	\$1.58
28	BOLT 2, STUD (8X32) 92900-08032-3E	002	\$1.19
29	HOLDER 1C, FR. 95014-41000	001	\$6.48



REF#	PART	#REQ	REMARKS	YOUR PRICE
01	WEIGHT (10G) 42704-MM2-670	AR		\$5.57
01	WEIGHT (20G) 42705-MM2-670	AR		\$5.71
01	WEIGHT (30G) 42706-MM2-670	AR		\$5.71
02	VALVE, RIM 42753-ML7-003	001		\$6.82
02	VALVE, RIM 42753-ML7-004	001		\$6.82
03	AXLE, FR. WHEEL 44301-MM2-670	001		\$19.45
04	COLR, FR. WHEEL SIDE 44311-MM2-670	001		\$4.76
05	SPOKE SET A, FR. 446A0-MM2-671	016		\$2.74
06	SPOKE SET B, FR. 446B0-MM2-671	016		\$2.48
07	HUB, FR. WHEEL 44601-MM2-670	001		\$146.30
08	COLLAR, FR. 44620-MM2-670	001		\$4.86
09	RETAINER, GEAR BOX 44680-410-000	001		\$3.21

10	RIM, FR. WHEEL 44701-MM2-671	001	\$204.46
11	TIRE (100/90-18) 44710-MG0-722	001	\$63.00
11	TIRE (100/90-18) 44710-MG0-722	001	\$63.00
12	BOX ASSY. 44800-MK4-023	001	\$54.85
13	GEAR, SPEEDOMETER 44806-MK4-003	001	\$13.06
14	WASHER 44809-402-000	002	\$1.22
15	DISK, FR. BRAKE 45251-MM2-670	001	\$304.12
16	BOLT, FR. (8X24) 90105-KR3-000	008	\$3.36
17	BEARING (6302) 91052-KR3-005	002	\$12.59
18	DUST SEAL (22X42X7) 91252-MC7-003	001	\$4.14
19	DUST SEAL (40X50X5) 91258-410-013	001	\$5.26

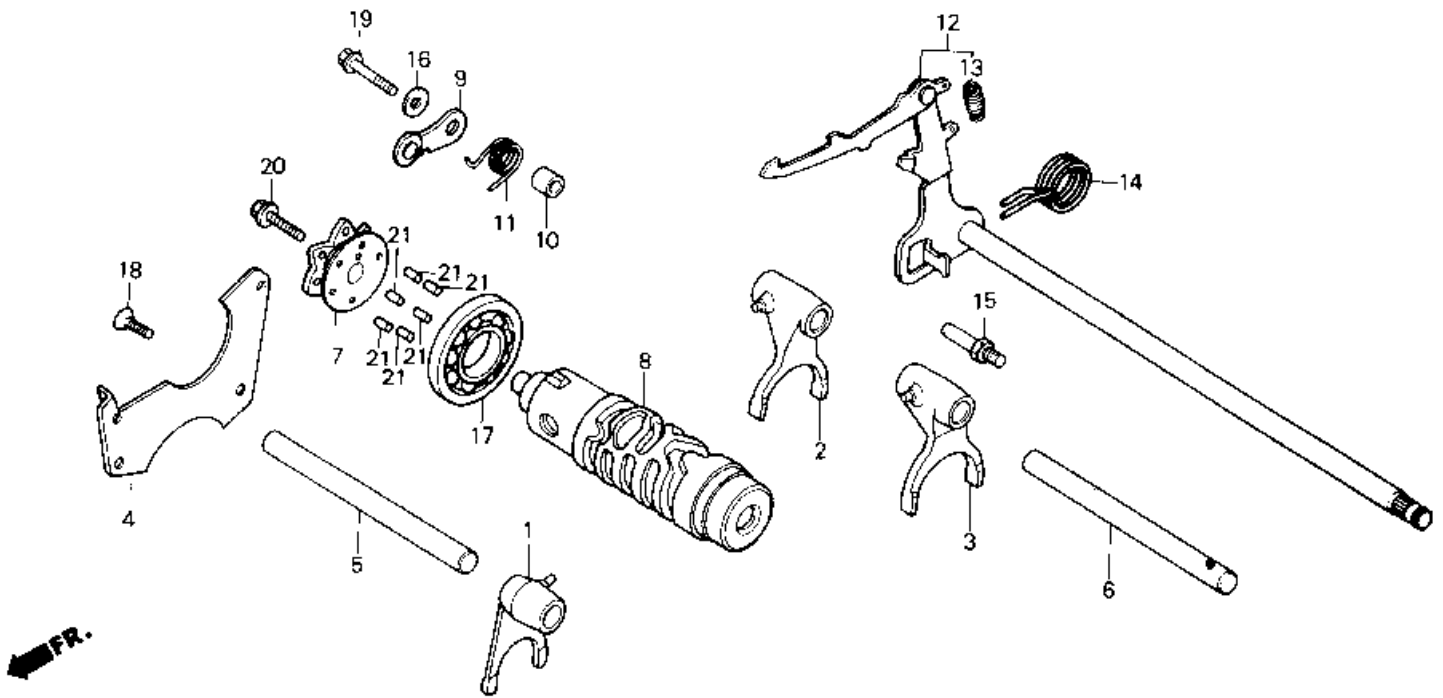
13	RUB, RR. FUEL TANK 17613-MM2-000	001	\$6.93
14	WASHER, RR. 17614-MM2-770	001	\$4.55
15	CAP, FUEL FILLER 17620-KR3-013	001	\$45.49
15	CAP, FUEL FILLER 17620-KR3-751	001	\$45.49
16	MARK 87512-KR3-670	001	\$3.40
17	LABEL *A73* (TYPEG) 87560-ME9-670ZA	001	\$2.74
18	BOLT (8X32) 90122-KR3-000	002	\$1.99
19	BOLT (8X22) 90123-MM2-000	001	\$2.17
20	CLIP, TUBE (B7) 95002-02070	002	\$0.59
21	CLIP, TUBE (B12) 95002-02120	002	\$0.64

Image not available.

REF#	PART	#REQ	REMARKS	YOUR PRICE
00	GASKET KIT A 061A1-ML4-405	001		\$72.45
00	GASKET KIT A 061A1-ML4-405	001		\$72.45
00	GASKET KIT A 061A1-ML4-405	001		\$72.45
01	GASKET, CYLINDER 12191-ML4-306	001		\$5.43
01	GASKET, CYLINDER 12191-ML4-306	001		\$5.43
02	SEAL, VALVE STEM 12208-413-003	004		\$6.89
03	SEAL, VALVE STEM 12209-413-003	002		\$8.02
04	GASKET, CYL HD 12251-MR4-901	001		\$23.37
04	GASKET, CYL HD 12251-MR4-901	001		\$23.37
04	GASKET, CYL HD 12251-MR4-901	001		\$23.37
05	GASKET, CYL HD CVR 12391-ML4-610	001		\$10.92
06	GASKET, EX. PIPE 18212-634-010	002		\$4.20
06	GASKET, EX. PIPE 18212-634-010	002		\$4.20
07	O-RING (8.5X1.7) 90751-MC0-000	001		\$0.90
08	O-RING (78.3X2) 91304-HA0-003	002		\$2.91
09	O-RING (40X2.4) 91325-413-830	002		\$4.26

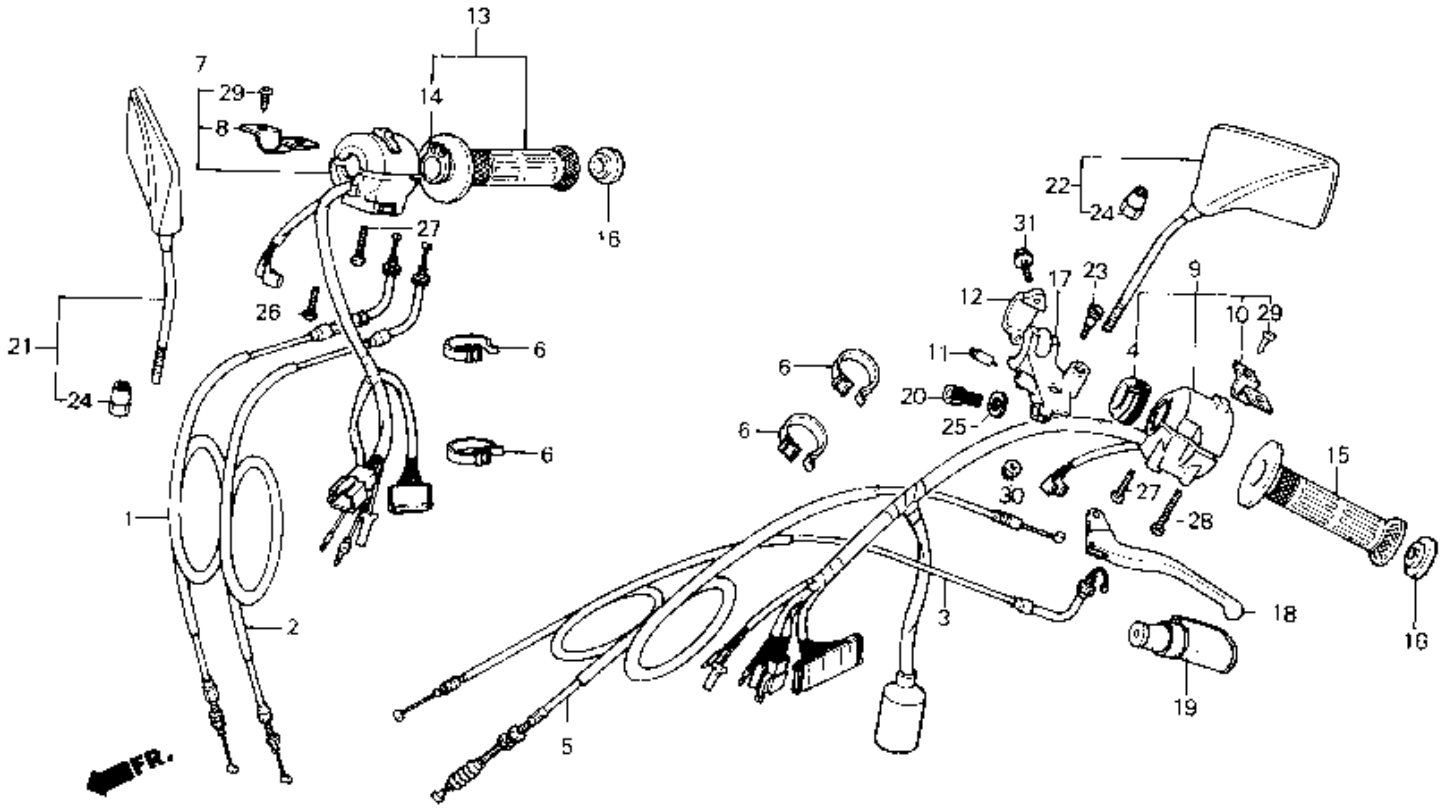
Image not available.

REF#	PART	#REQ	REMARKS	YOUR PRICE
00	GASKET KIT B 061B1-MM2-T70	001		\$20.20
00	GASKET KIT B 061B1-MM2-T70	001		\$20.20
01	GASKET, R. COVER 11393-ML4-306	001		\$6.75
01	GASKET, R. COVER 11393-ML4-306	001		\$6.75
02	GASKET, L. COVER 11492-ML4-306	001		\$6.20
02	GASKET, L. COVER 11492-ML4-306	001		\$6.20
03	GSKT, OIL PIPE JOINT 15912-MM2-671	001		\$4.06
04	O-RING (3.6X1.4) 91301-MC0-000	002		\$0.80
05	O-RING (22X3.0) 91307-425-003	001		\$1.18
05	O-RING (22X3.0) 91307-425-003	001		\$1.18
06	O-RING (15X2.5) 91302-377-000	001		\$2.97
07	GASKET 91306-413-000	001		\$2.60
08	O-RING (24X1.5) 91307-413-005	001		\$1.46
09	O-RING (25.4X2.4) 91307-703-000	001		\$1.55
10	O-RING (17.0X2.5) 91333-KE5-003	001		\$1.27
10	O-RING (17.0X2.5) 91333-KE5-003	001		\$1.27
11	WASHER, DRAIN (12MM) 94109-12000	001		\$0.39



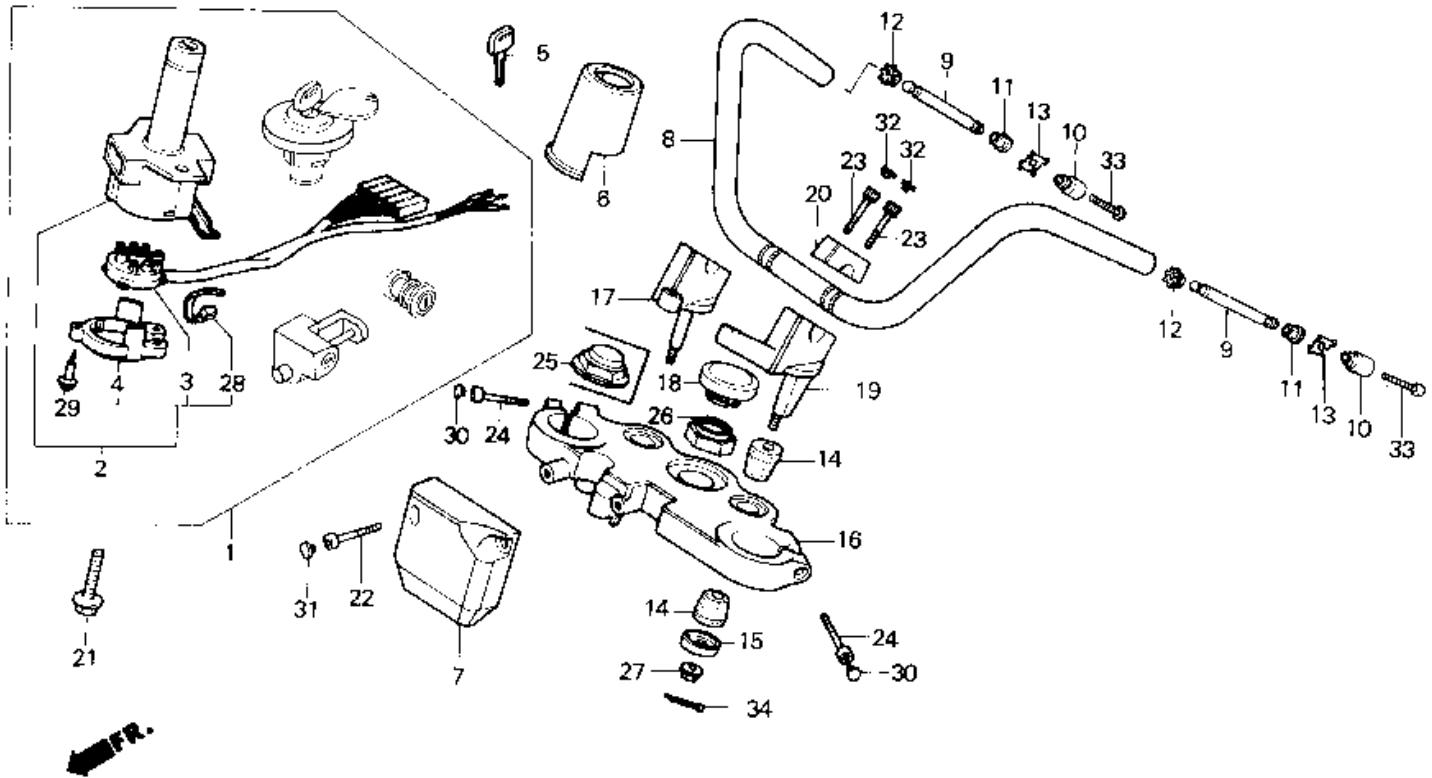
REF#	PART	#REQ	REMARKS	YOUR PRICE
01	FORK 24220-ML4-610	001		\$46.94
02	FORK 24221-ML4-610	001		\$46.94
03	FORK 24222-ML4-610	001		\$46.94
04	PLATE, DRUM STOPPER 24231-ML4-610	001		\$7.21
05	SHAFT 24241-KCZ-000	001		\$13.34
06	SHAFT 24241-ML4-610	001		\$21.13
07	PLATE, DRUM CAM 24302-MM2-670	001		\$13.65
08	DRUM, GEARSHIFT 24310-MM2-670	001		\$62.73
09	STOPPER, SHIFT DRUM 24430-ML4-610	001		\$9.66
10	COLLAR 24432-413-000	001		\$4.44
11	SPRING 24435-ML4-610	001		\$2.20
12	ARM, GEARSHIFT 24610-ML4-610	001		\$44.97
13	SPRING 24641-ML4-610	001		\$1.90
14	SPRING 24651-286-000	001		\$4.14
15	PIN 24652-259-000	001		\$2.51
16	WASHER 90486-028-000	001		\$0.63

17	BEARING (16005) 91008-374-003	001	\$8.04
18	SCREW, FLAT (6X16) 93600-06016-0A	001	\$0.41
19	BOLT, FLANGE (6X28) 95700-06028-00	001	\$0.69
19	BOLT, FLANGE (6X28) 95701-06028-00	001	\$0.69
20	BOLT, FLANGE (6X20) 95701-06020-00	001	\$0.48
20	BOLT, FLANGE (6X20) 95701-06020-00	001	\$0.48
21	ROLLER (4X11.8) 96220-40118	006	\$0.24

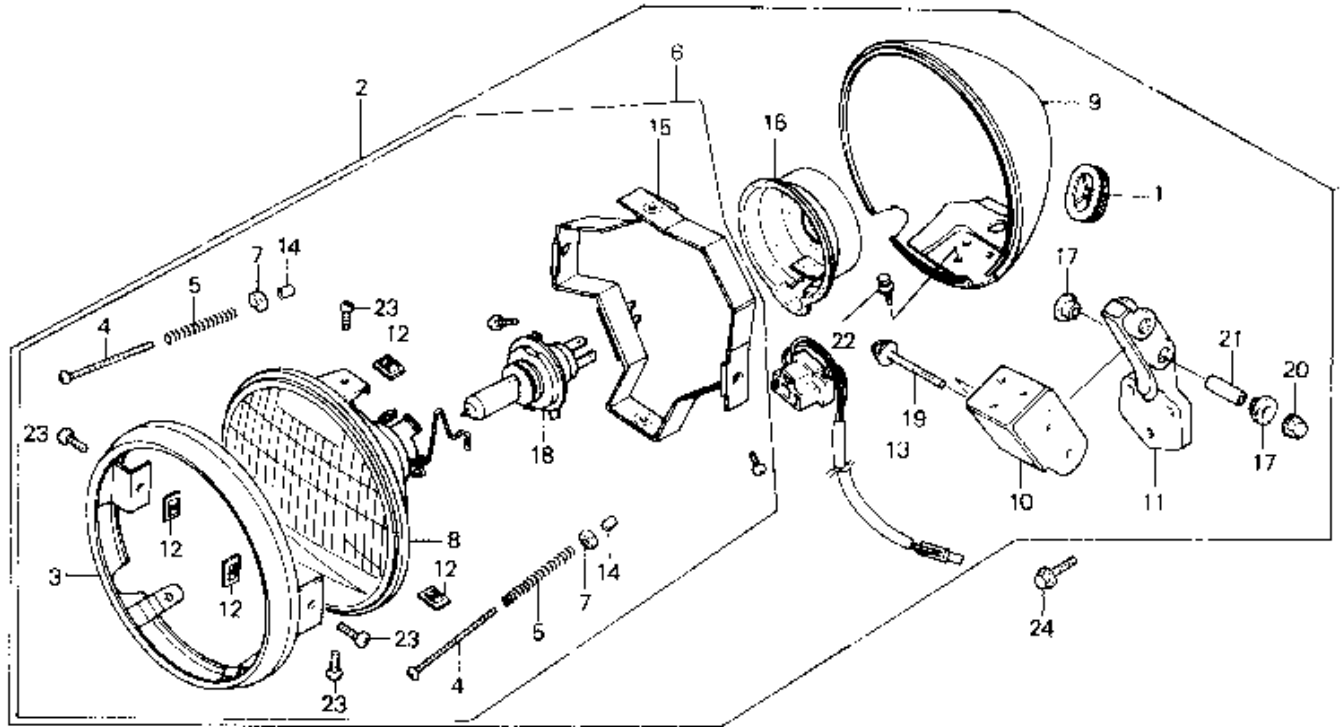


REF#	PART	#REQ	REMARKS	YOUR PRICE
01	CABLE A, THROTTLE 17910-MM2-000	001		\$12.28
02	CABLE B, THROTTLE 17920-MM2-000	001		\$10.51
03	CABLE, CHOKE 17950-MM2-000	001		\$13.68
04	LEVER, CHOKE 17962-KE8-701	001		\$12.21
05	CABLE, CLUTCH 22870-MM2-000	001		\$12.61
06	BAND B1, CABLE 32161-404-000	006		\$1.34
07	SWITCH ASSY. 35130-MM2-670	001		\$53.20
08	PLATE 35152-KE8-703	001		\$3.61
09	SWITCH, TURN SIGNAL 35200-MM2-670	001		\$73.01
10	PLATE 35204-KE8-702	001		\$4.65
11	SWITCH, FR. LEVER 35330-413-003	001		\$11.73
12	HOLDER 45517-166-006	001		\$7.27
13	GRIP ASSY., THROTTLE 53140-MM2-000	001		\$16.30
14	PIPE, THROTTLE GRIP 53141-422-000	001		\$11.63

15	GRIP, L. HANDLE 53166-MM2-000	001	\$6.94
17	BRACKET, HANDLEBAR 53172-MJ6-000	001	\$30.24
18	LEVER, L. HANDLEBAR 53178-KM9-000	001	\$10.79
19	BOOT, HANDLEBAR 53180-425-010	001	\$14.03
20	BOLT, CABLE ADJ. 53192-268-000	001	\$3.85
21	MIRROR, R. 88110-KR3-670	001	\$36.50
22	MIRROR, L. 88120-KR3-670	001	\$36.50
23	BOLT 90113-KT7-000	001	\$4.45
24	NUT, LOCK 90314-323-000	002	\$2.35
25	NUT, FIXING 90321-MA6-750	001	\$5.57
26	SCREW-WASHER (5X20) 93892-05020-07	001	\$0.41
27	SCREW-WASHER (5X28) 93892-05028-07	002	\$0.41
28	SCREW-WASHER (5X45) 93892-05045-07	001	\$0.64
29	SCREW, TAPPING (3X8) 93901-32120	002	\$0.36
30	NUT, CAP (6MM) 90201-428-900	001	\$1.27
31	BOLT, FLANGE (6X25) 96001-06025-07	002	\$0.67
31	BOLT, FLANGE (6X25) 96001-06025-07	002	\$0.67

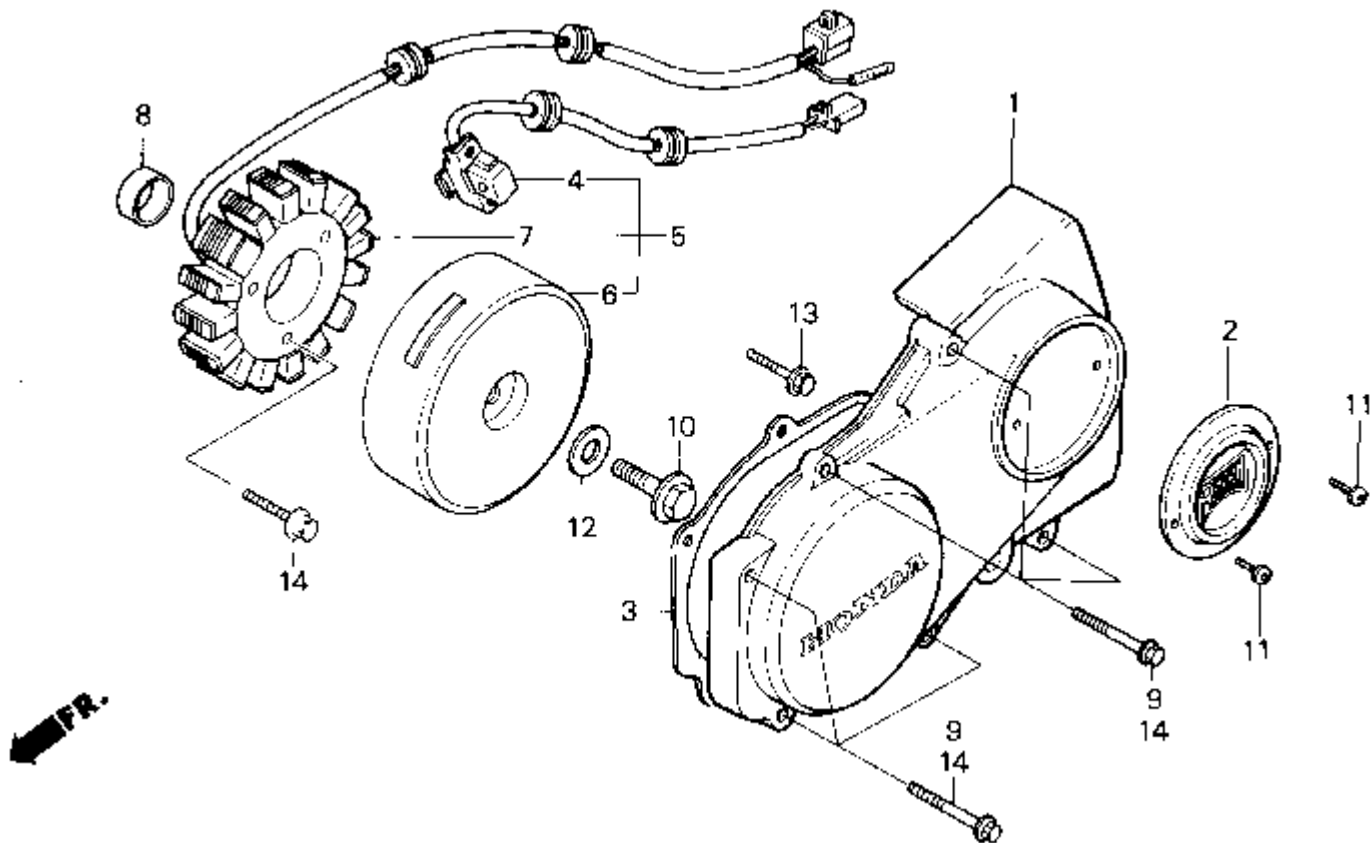


REF#	PART	#REQ	REMARKS	YOUR PRICE
01	LOCK SET 35010-MM2-000	001		\$145.39
01	LOCK SET 35010-MM2-750	001		\$142.25
02	SWITCH ASSY. 35100-MM2-000	001		\$75.19
03	BASE, CONTACT 35101-MM2-000	001		\$32.16
03	BASE, CONTACT 35101-MM2-000	001		\$32.16
04	COVER, SWITCH 35105-MG9-681	001		\$4.62
05	KEY, BLANK (TYPE1) 35121-KW3-771	(1)		\$5.39
05	KEY, BLANK (TYPE1) 35121-KW3-771	(1)		\$5.39
05	KEY, BLANK (TYPE2) 35122-KW3-771	(1)		\$5.39
05	KEY, BLANK (TYPE2) 35122-KW3-771	(1)		\$5.39
06	CASE (UPPER) 50321-MM2-000	001		\$10.42
07	CASE (LOWER) 50322-MM2-000	001		\$20.94
08	HANDLEBAR 53100-MM2-770	001		\$47.42
09	WEIGHT B, HANDLE 53104-KT7-010	002		\$10.72
09	WEIGHT B, HANDLE 53104-KT7-010	002		\$10.72



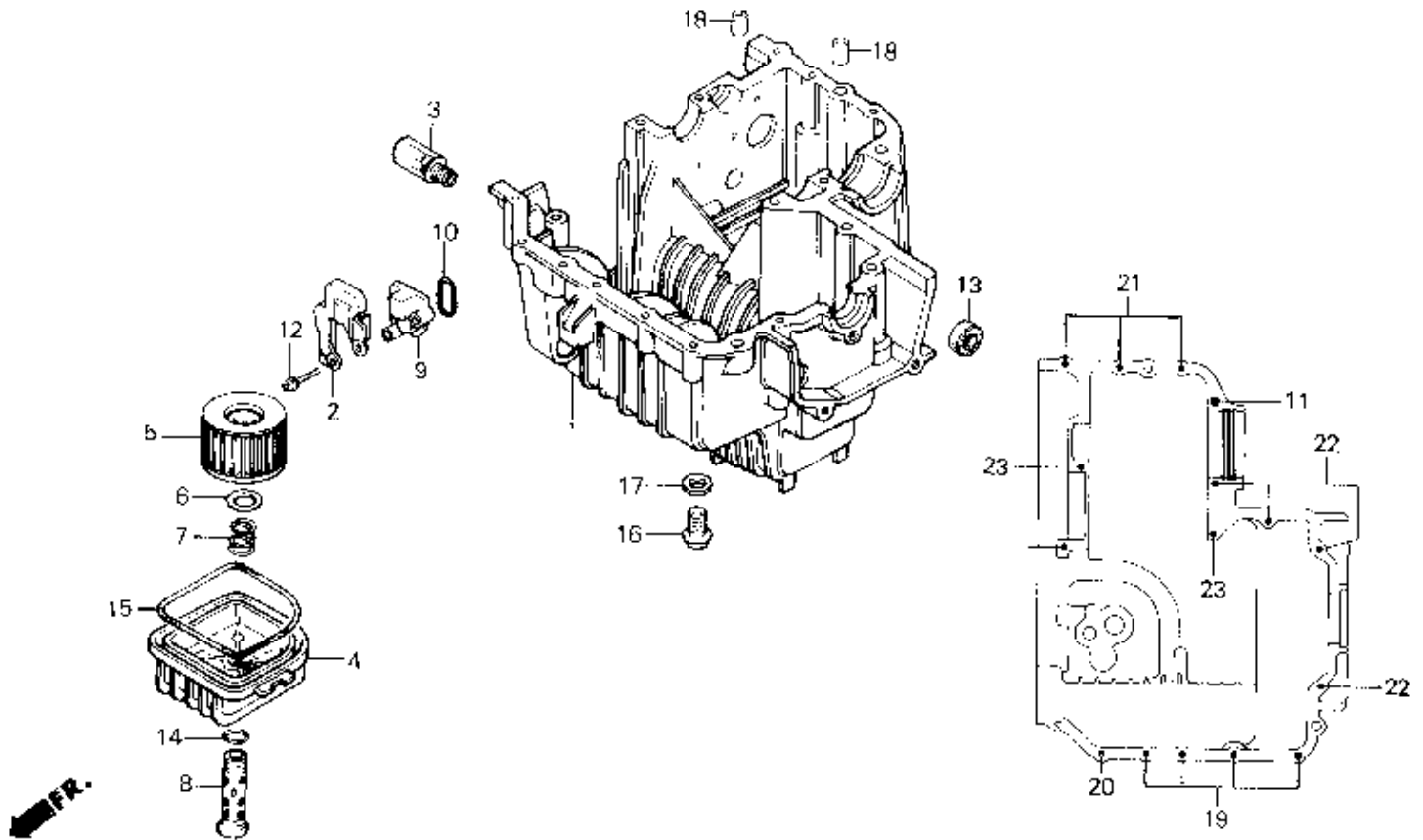
REF#	PART	#REQ	REMARKS	YOUR PRICE
02	HEADLIGHT ASSY. 33100-MM2-671	001		\$188.89
03	RIM, HEADLIGHT 33101-MM2-003	001		\$16.83
04	SCREW, BEAM ADJ. 33103-MM2-003	002		\$1.40
05	SPRING, BEAM ADJ. 33108-MM2-003	002		\$1.64
06	HEADLIGHT SET 33110-MM2-671	001		\$177.09
07	NUT, BEAM ADJ. 33118-438-841	002		\$1.13
08	HEADLIGHT UNIT 33120-MM2-671	001		\$63.25
09	CASE, HEADLIGHT 33121-MM2-003	001		\$67.09
10	BRACKET A, HEADLIGHT 33123-MM2-003	001		\$12.12
11	BRACKET B, HEADLIGHT 33124-MM2-003	001		\$9.69
12	NUT, UNIT HOLDER 33128-292-670	004		\$1.44
13	SOCKET, HEADLIGHT 33130-MM2-671	001		\$11.90
14	COVER, SCREW 33136-426-830	002		\$1.01
15	RING, HEADLIGHT 33153-MM2-003	001		\$26.25
16	COVER, RUBBER 33155-MM2-003	001		\$8.22

	33180-MJ0-010		
16	COVER, RUBBER 33180-MJ0-010	001	\$8.22
17	RUBBER 33718-MM2-000	004	\$2.20
18	BULB (12V60/55W) 34901-MC7-601AH	001	\$5.39
18	BULB (12V60/55W) 34901-MC7-601AH	001	\$5.39
19	BOLT, FLANGE (6X40) 90007-MM2-000	002	\$0.67
19	BOLT, FLANGE (6X40) 95701-06040-00	002	\$0.69
20	NUT, CAP (6MM) 90201-415-000	003	\$1.22
21	COLLAR (8X29) 91104-MM2-000	002	\$1.64
22	BOLT-WASHER (6X12) 93402-06012-00	003	\$0.53
22	BOLT-WASHER (6X12) 93412-06012-00	003	\$0.53
22	BOLT-WASHER (6X12) 93412-06012-00	003	\$0.53
23	SCREW, PAN (5X8) 93500-05008-0A	004	\$0.35
23	SCREW, PAN (5X8) 93500-05008-0A	004	\$0.35
24	BOLT, FLANGE (8X20) 95700-08020-07	003	\$0.67
24	BOLT, FLANGE (8X20) 95701-08020-07	003	\$0.67
24	BOLT, FLANGE (8X20) 95700-08020-07	003	\$0.67



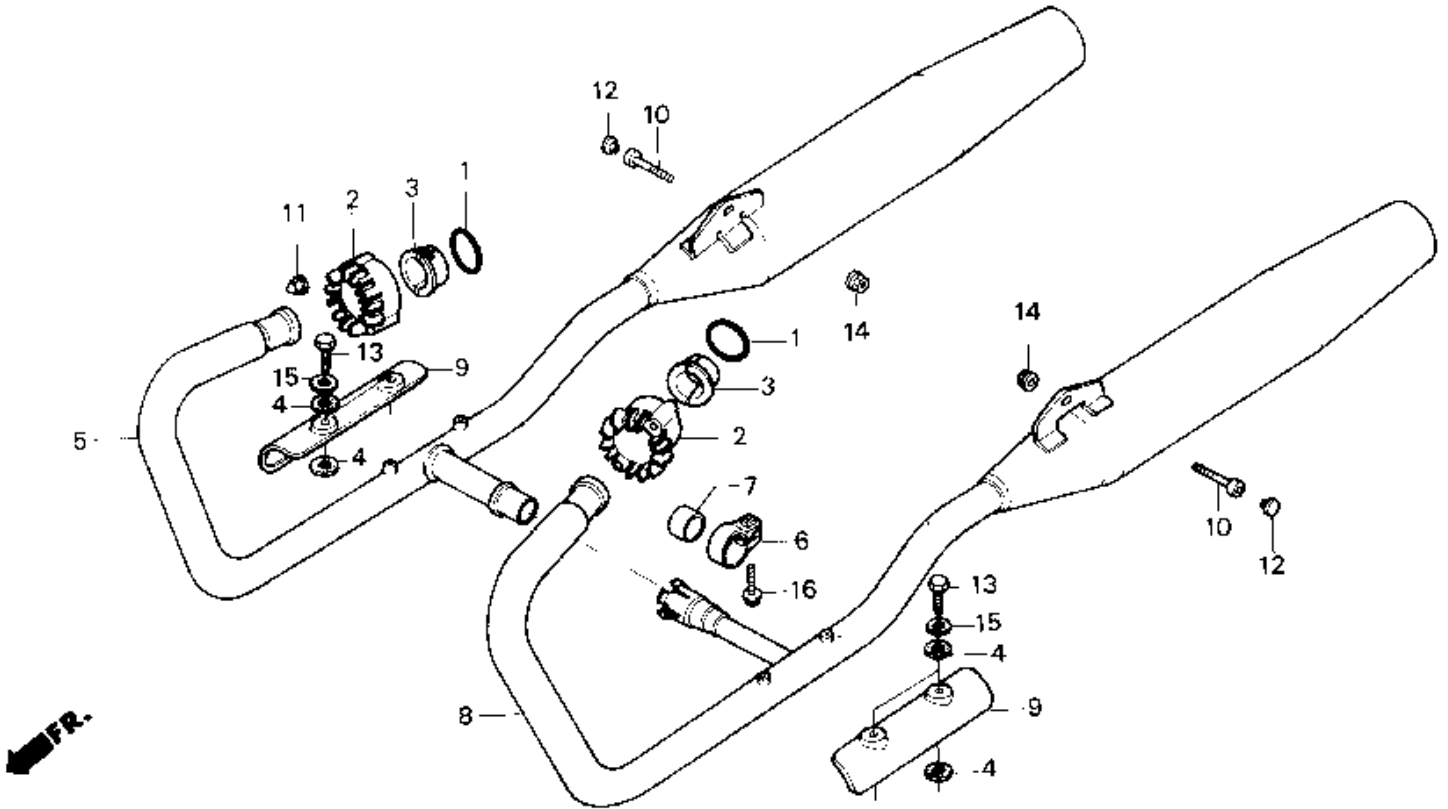
REF#	PART	#REQ	REMARKS	YOUR PRICE
01	COVER, L. CRANKCASE 11360-MM2-671	001		\$102.42
02	PLATE, L. COVER 11365-MM2-670	001		\$13.17
03	GASKET, L. COVER 11492-ML4-306	001		\$6.20
03	GASKET, L. COVER 11492-ML4-306	001		\$6.20
04	GENERATOR, PULSE 30300-MM2-005	001		\$33.26
05	ALTERNATOR ASSY. 31100-MM2-415	001		\$424.90
05	ALTERNATOR ASSY. 31100-MM2-415	001		\$424.90
06	FLYWHEEL 31110-MM2-015	001		\$303.94
06	FLYWHEEL 31110-MM2-015	001		\$303.94
07	STATOR 31120-MM2-415	001		\$248.21
07	STATOR 31120-MM2-415	001		\$248.21
07	STATOR 31120-MM2-415	001		\$248.21
07	STATOR 31120-MM2-415	001		\$248.21

08	COLLAR, STATOR 31210-ML4-610	001	\$8.54
09	BOLT, FLANGE (6X35) 96001-06035-00	006	\$0.71
09	BOLT, FLANGE (6X35) 96001-06035-00	006	\$0.71
10	BOLT, FLANGE (12X50) 90025-ML4-610	001	\$6.94
11	BOLT (3X10) 90090-MM2-670	002	\$0.49
12	WASHER (12X30X4.5) 90401-KK9-960	001	\$5.57
13	BOLT, FLANGE (6X18) 95701-06018-00	002	\$0.57
13	BOLT, FLANGE (6X18) 95701-06018-00	002	\$0.57
14	BOLT, FLANGE (6X35) 96001-06035-00	003	\$0.71
14	BOLT, FLANGE (6X35) 96001-06035-00	003	\$0.71



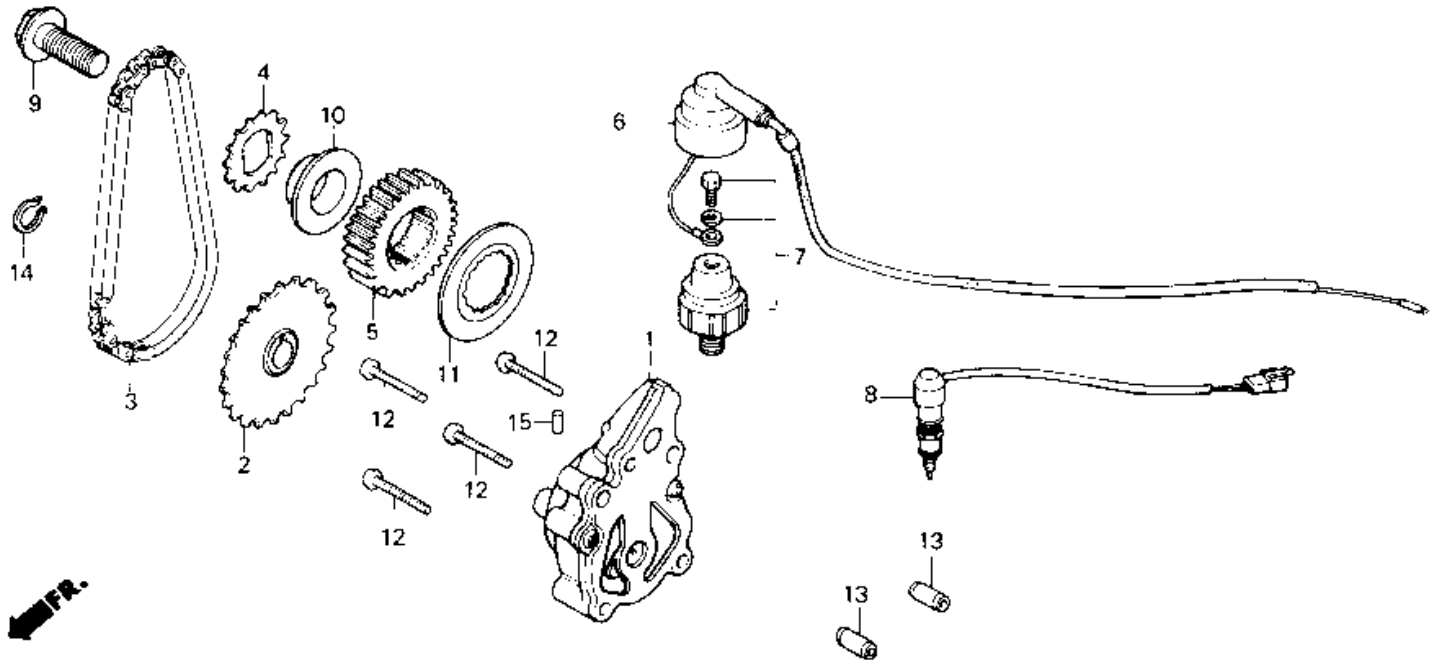
REF#	PART	#REQ	REMARKS	YOUR PRICE
01	CRANKCASE (LOWER) 11200-MM2-670	001		\$587.71
02	PROTECTOR 11711-MM2-670	001		\$7.15
03	VALVE ASSY., RELIEF 15220-413-020	001		\$18.58
04	CASE, OIL FILTER 15411-MM2-670	001		\$33.95
05	ELEMENT,OIL FILTE 15412-MM2-405	001		\$4.19
06	SEAT 15414-300-000	001		\$2.17
07	SPRING 15415-413-000	001		\$1.92
08	BOLT 15420-MA6-000	001		\$28.38
08	BOLT 15420-MA6-000	001		\$28.38
09	BASE 15540-MM2-670	001		\$16.04
10	GSKT, OIL PIPE JOINT 15912-MM2-671	001		\$4.06
11	BOLT, FLANGE (8X135) 90006-ME9-000	001		\$3.15
12	BOLT, FLANGE (6X40) 95701-06040-00	002		\$0.69

13	OIL SEAL (12.5X25X8) 91204-425-003	001	\$3.67
14	O-RING (15X2.5) 91302-377-000	001	\$2.97
15	GASKET 91306-413-000	001	\$2.60
16	BOLT, DRAIN (12MM) 92800-12000	001	\$1.37
17	WASHER, DRAIN (12MM) 94109-12000	001	\$0.39
18	PIN, DOWEL (10X16) 94301-10160	002	\$0.95
19	BOLT, FLANGE (6X32) 95701-06032-00	004	\$0.64
19	BOLT, FLANGE (6X32) 95701-06032-00	004	\$0.64
20	BOLT, FLANGE (6X40) 95701-06040-00	001	\$0.69
20	BOLT, FLANGE (6X40) 95701-06040-00	001	\$0.69
21	BOLT, FLANGE (6X50) 95701-06050-00	003	\$0.80
21	BOLT, FLANGE (6X50) 95701-06050-00	003	\$0.80
22	BOLT, FLANGE (6X80) 95701-06080-00	004	\$0.99
22	BOLT, FLANGE (6X80) 95701-06080-00	004	\$0.99
23	BOLT, FLANGE (6X105) 95701-06105-00	003	\$1.15
23	BOLT, FLANGE (6X105) 95701-06105-00	003	\$1.15



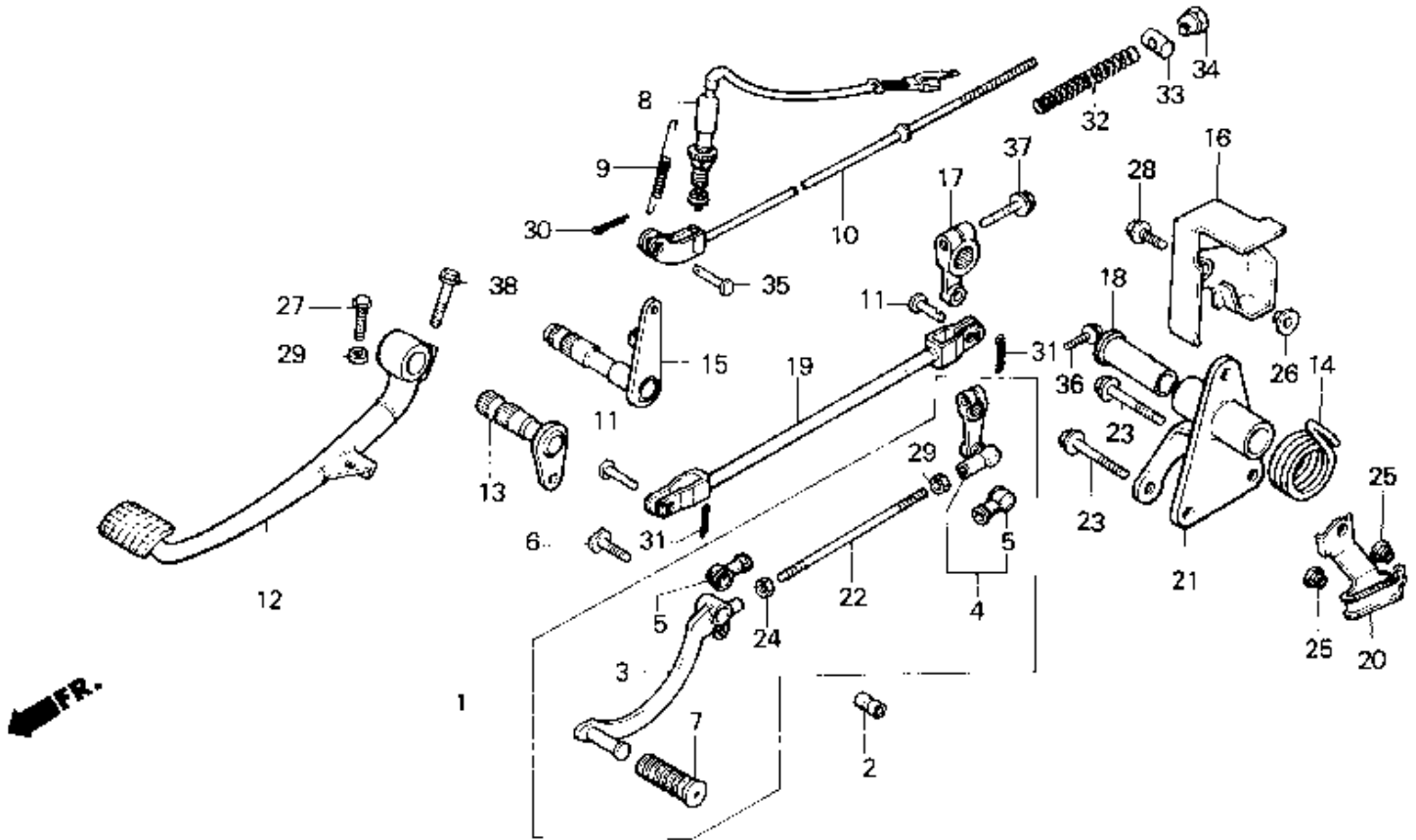
REF#	PART	#REQ	REMARKS	YOUR PRICE
01	GASKET, EX. PIPE 18212-634-010	002		\$4.20
01	GASKET, EX. PIPE 18212-634-010	002		\$4.20
02	JOINT, EX. PIPE 18231-413-010	002		\$23.32
03	COLR, EX. PIPE JOINT 18233-ML4-000	002		\$2.69
04	GASKET 18292-GY1-860	004		\$1.65
05	MUFFLER, R. EX. 18300-MM2-671	001		\$161.63
05	MUFFLER, R. EX. 18300-MM2-671	001		\$161.63
06	BAND, R. EX. 18373-MB0-003	001		\$18.42
07	GASKET, MUFFLER 18391-MB0-891	001		\$9.58
08	MUFFLER, L. EX. 18400-MM2-671	001		\$148.64
09	COVER, EX. PIPE 18415-MM2-000	002		\$12.39
10	BOLT, SOCKET (8X20) 90157-MF5-000	002		\$3.15
11	NUT, CAP (6MM) 90304-438-000	004		\$3.95
12	CAP (10MM) 91456-MJ0-000	002		\$2.07

13	BOLT, HEX. (5X10) 92101-05010-0B	004	\$0.48
13	BOLT, HEX. (5X10) 92101-05010-0B	004	\$0.48
14	NUT, FLANGE (8MM) 94050-08000	002	\$0.53
15	WASHER, PLAIN (5MM) 94101-05200	004	\$0.42
16	BOLT, FLANGE (8X35) 95701-08035-00	001	\$0.80
16	BOLT, FLANGE (8X35) 95701-08035-00	001	\$0.80



REF#	PART	#REQ	REMARKS	YOUR PRICE
01	PUMP ASSY., OIL 15100-MR4-900	001		\$82.64
01	PUMP ASSY., OIL 15100-MR4-900	001		\$82.64
02	SPROCKET (29T) 15110-ML4-611	001		\$30.59
02	SPROCKET (29T) 15110-ML4-611	001		\$30.59
03	CHAIN, OIL PUMP 15140-MC0-003	001		\$9.77
04	SPROCKET (17T) 15151-413-000	001		\$12.38
05	GEAR, PRIMARY DRIVE 23121-MC0-000	001		\$37.53
06	SUB-CABLE 32111-MM2-000	001		\$7.34
07	SWITCH, OIL PRESSURE 35500-MJ4-024	001		\$22.69
07	SWITCH, OIL PRESSURE 35500-MJ4-024	001		\$22.69
08	SWITCH ASSY., CHANGE 35752-MM2-003	001		\$27.37
09	BOLT, FLANGE (12X25) 90019-413-000	001		\$3.36
10	COLLAR, DISTANCE 90406-MC0-000	001		\$6.24
11	WASHER, SPLINE 90407-413-020	001		\$4.23
12	SCREW, PAN (6X40) 93500-06040-0A	004		\$0.57
12	SCREW, PAN (6X40) 93500-06040-0A	004		\$0.57
13	PIN, DOWEL (8X14) 94301-08140	002		\$0.81

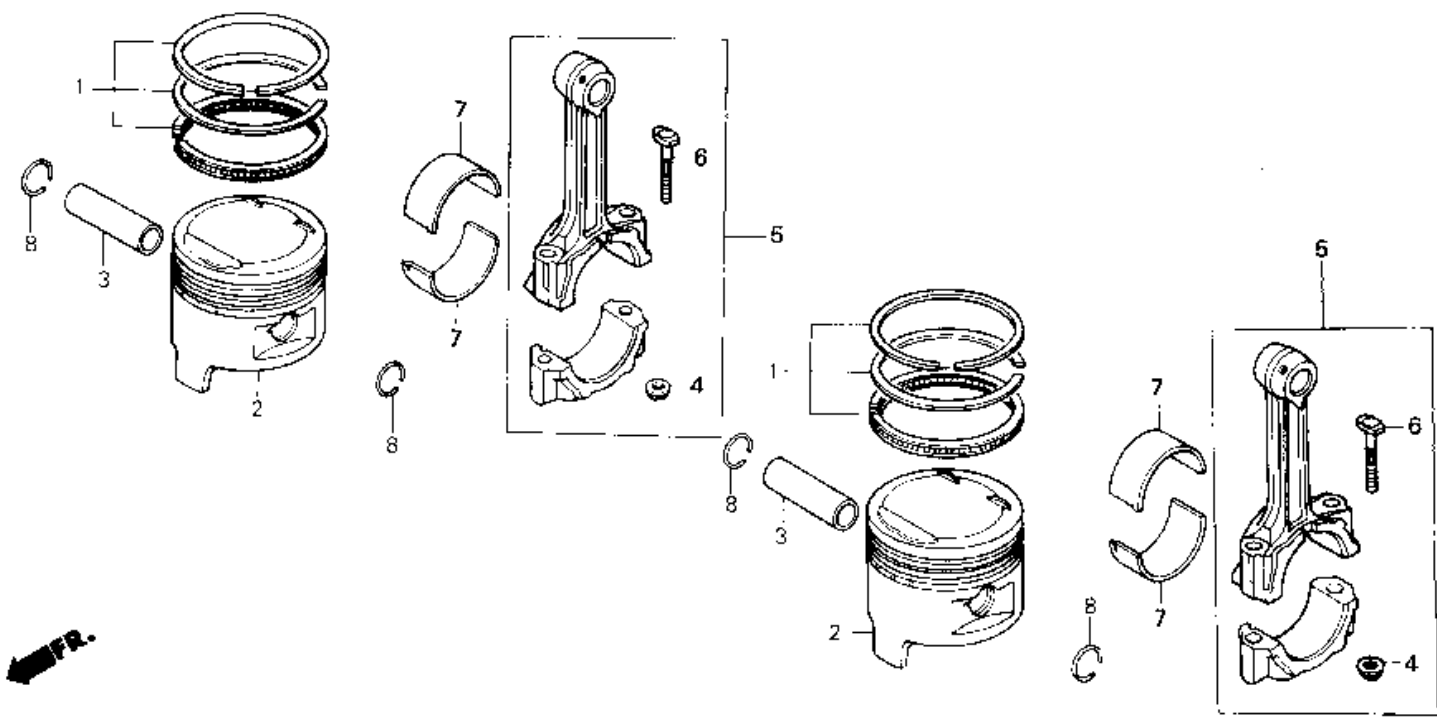
14	CIRCLIP (11MM) 94510-11000	001	\$0.31
15	ROLLER (4X10) 96220-40100	001	\$0.24



REF#	PART	#REQ	REMARKS	YOUR PRICE
01	PEDAL ASSY., CHANGE 24700-MM2-000	001		\$53.62
02	COLLAR 24705-MB0-000	001		\$6.51
03	PEDAL B, GEARSHIFT 24705-MM2-000	001		\$45.35
04	ARM, CHANGE 24710-MM2-000	001		\$24.49
05	COVER, DUST 24724-422-000	002		\$3.99
06	BOLT 24725-MK3-000	001		\$2.74
07	RUB, GEARSHIFT PEDAL 24781-KR3-770	001		\$1.88
08	SWITCH, RR. STOP 35350-KR3-670	001		\$9.28
08	SWITCH, RR. STOP 35350-KR3-671	001		\$9.28
09	SPRING, STOP SWITCH 35357-MM9-000	001		\$2.65
09	SPRING, STOP SWITCH 35357-MM9-000	001		\$2.65
10	ROD, RR. BRAKE 43451-MM2-670	001		\$8.92
11	PIN 43456-MK7-000	002		\$4.55

12	PEDAL, BRAKE 46500-MM2-000	001	\$50.39
13	SPINDLE, RR. BRAKE 46510-MM2-770	001	\$25.03
14	SPRING, BRAKE RETURN 46514-MM2-000	001	\$5.68
15	ARM, MIDDLE 46515-MM2-770	001	\$29.61
16	COVER, RR. BRAKE ARM 46516-MM2-000	001	\$8.26
17	ARM, RR. 46520-MK7-000	001	\$14.14
18	BUSH B, RR. 46536-MM2-003	001	\$6.58
19	ROD, RR. 46540-MM2-671	001	\$32.70
20	CLAMP, DRAIN TUBE 50324-MM2-000	001	\$5.70
21	BRACKET ASSY., RR. 50359-MM2-770	001	\$33.42
22	BOLT, TIE ROD 90065-MB2-000	001	\$10.28
23	BOLT, FLANGE (8X65) 90127-KC1-730	002	\$2.84
23	BOLT, FLANGE (8X65) 90127-KC1-730	002	\$2.84
24	NUT 90201-700-000	001	\$0.42
25	NUT, FLANGE (8MM) 90309-428-731	002	\$2.09
25	NUT, FLANGE (8MM) 90309-428-731	002	\$2.09
26	COLLAR 90522-170-700	001	\$1.09
27	BOLT, HEX. (6X20) 92101-06020-0B	001	\$0.56
27	BOLT, HEX. (6X20) 92101-06020-0B	001	\$0.56
27	BOLT, HEX. (6X20) 92101-06020-0B	001	\$0.56
27	BOLT, HEX. (6X20) 92101-06020-0B	001	\$0.56
28	SCREW-WASHER (6X15) 93893-06015-07	001	\$0.80
29	NUT, HEX. (6MM) 94002-06020-0S	002	\$0.56
30	PIN, SPLIT (1.6X12) 94201-16120	001	\$0.34
31	PIN, SPLIT (2.0X15) 94201-20150	002	\$0.27
32	SPRING A, BRAKE ROD 95014-73100	001	\$0.41
32	SPRING A, BRAKE ROD 95014-73100	001	\$0.41
33	JOINT, BRAKE ARM 95015-32001	001	\$0.38
34	NUT B 95015-42000	001	\$1.08
35	PIN B 95015-52000	001	\$1.11
36	BOLT, FLANGE (6X20) 95701-06020-00	001	\$0.48

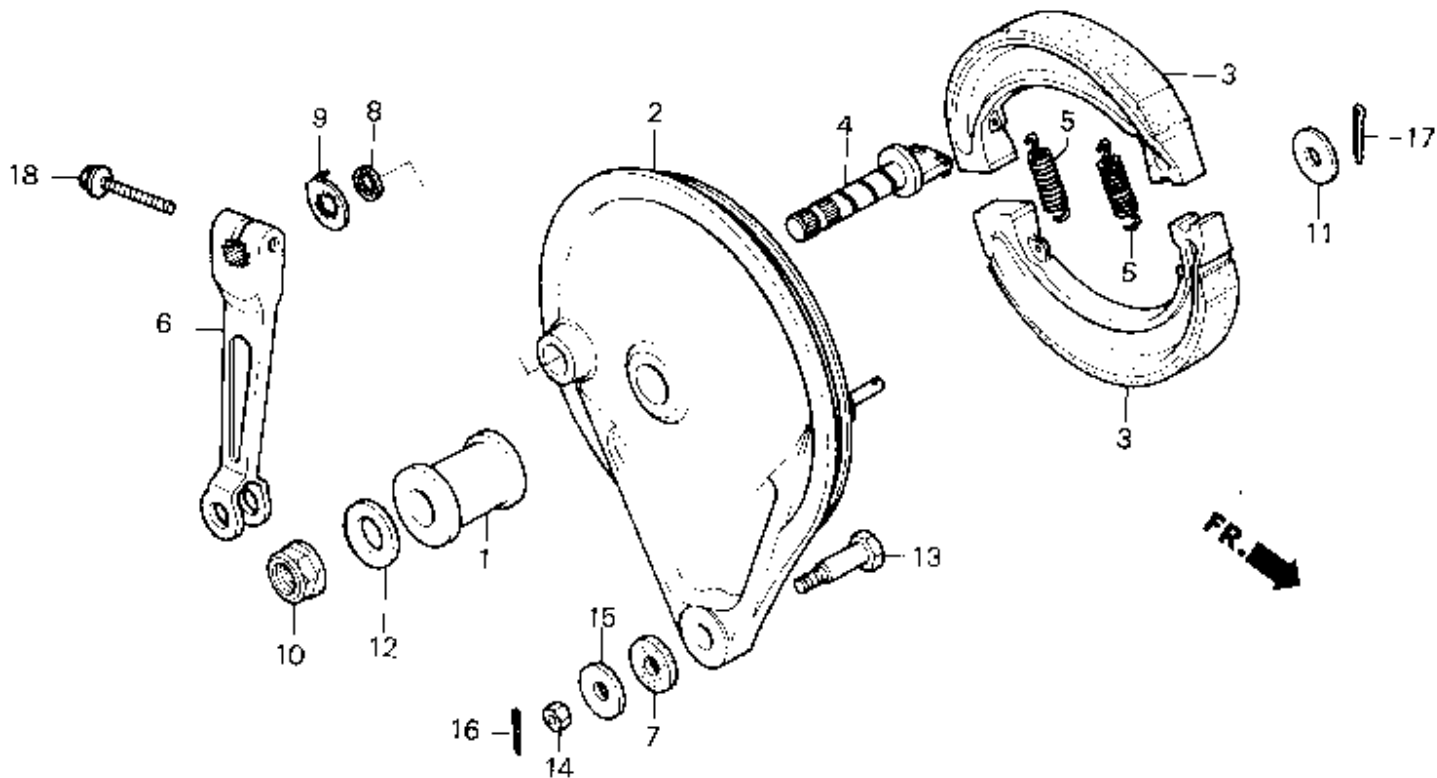
36	BOLT, FLANGE (6X20) 95701-06020-00	001	\$0.48
37	BOLT, FLANGE (8X25) 95701-08025-00	001	\$0.81
37	BOLT, FLANGE (8X25) 95701-08025-00	001	\$0.81
38	BOLT, FLANGE (8X32) 95701-08032-00	001	\$0.78
38	BOLT, FLANGE (8X32) 95701-08032-00	001	\$0.78



←FR.

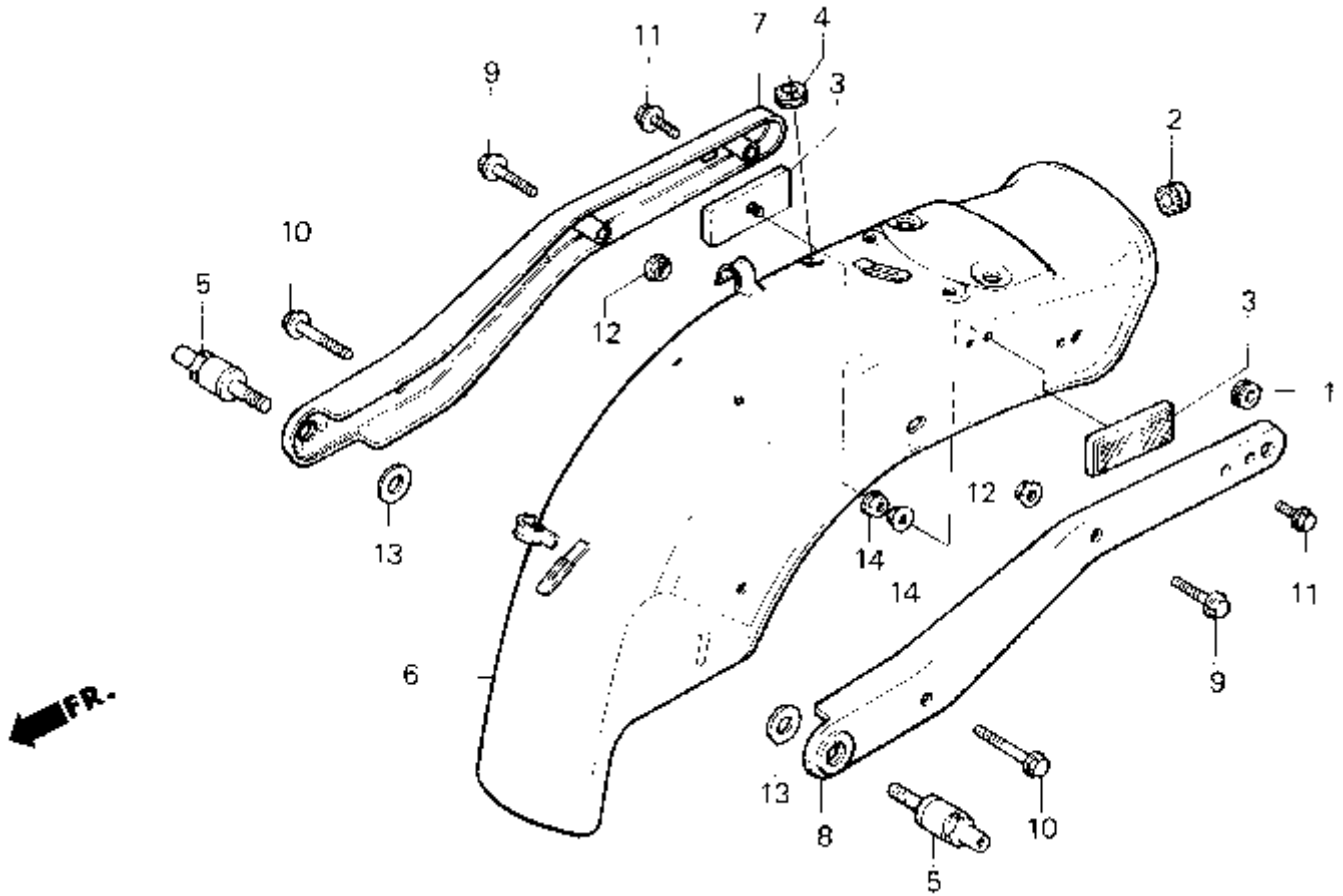
REF#	PART	#REQ	REMARKS	YOUR PRICE
01	RING SET (STD) 13011-MR4-901	002		\$24.07
01	RING SET (STD) 13011-MR4-901	002		\$24.07
01	RING SET (STD) 13011-MR4-901	002		\$24.07
01	RING SET (OS 0.25) 13021-MR4-901	(2)		\$24.07
01	RING SET (OS 0.25) 13021-MR4-901	(2)		\$24.07
01	RING SET (OS 0.25) 13021-MR4-901	(2)		\$24.07
01	RING SET (OS 0.50) 13031-MR4-901	(2)		\$24.07
01	RING SET (OS 0.50) 13031-MR4-901	(2)		\$24.07
01	RING SET (OS 0.50) 13031-MR4-901	(2)		\$24.07
01	RING SET (OS 0.50) 13031-MR4-901	(2)		\$24.07
01	RING SET (0.75) 13041-MR4-901	(2)		\$26.67
01	RING SET (0.75) 13041-MR4-901	(2)		\$26.67
01	RING SET (0.75) 13041-MR4-901	(2)		\$26.67
01	RING SET (0.75) 13041-MR4-901	(2)		\$26.67
01	RING SET (1.00) 13051-MR4-901	(2)		\$26.31
01	RING SET (1.00) 13051-ML4-612	(2)		\$25.28

01	RING SET (1.00) 13051-MR4-901	(2)	\$26.31
01	RING SET (1.00) 13051-MR4-901	(2)	\$26.31
02	PISTON (STD) 13101-MR4-900	002	\$36.85
02	PISTON (STD) 13101-MR4-900	002	\$36.85
02	PISTON (OS 0.25) 13102-MR4-900	(2)	\$36.85
02	PISTON (OS 0.25) 13102-MR4-900	(2)	\$36.85
02	PISTON (OS 0.50) 13103-MR4-900	(2)	\$36.85
02	PISTON (OS 0.50) 13103-MR4-900	(2)	\$36.85
02	PISTON (0.75) 13104-MR4-900	(2)	\$47.31
02	PISTON (0.75) 13104-MR4-900	(2)	\$47.31
02	PISTON (1.00) 13105-ML4-610	(2)	\$44.56
03	PIN, PISTON 13111-KZ3-000	002	\$10.98
03	PIN, PISTON 13111-MC0-000	002	\$10.98
04	NUT, CONNECTING ROD 13205-634-010	004	\$2.53
05	ROD, CONNECTING 13210-MC0-010	002	\$90.80
06	BOLT, CONNECTING ROD 13204-689-004	004	\$5.53
06	BOLT, CONNECTING ROD 13204-689-004	004	\$5.53
07	BEARING A, CONN ROD 13214-413-015	004	\$6.73
07	BEARING A, CONN ROD 13214-413-015	004	\$6.73
07	BEARING B, CONN ROD 13215-413-015	004	\$8.02
07	BEARING B, CONN ROD 13215-413-015	004	\$8.02
07	BEARING C, CONN ROD 13216-413-005	004	\$8.02
07	BEARING C, CONN ROD 13216-413-015	004	\$8.02
07	BEARING D, CONN ROD 13217-413-015	004	\$8.02
07	BEARING D, CONN ROD 13217-413-015	004	\$8.02
07	BEARING E, CONN ROD 13218-413-015	004	\$8.40
07	BEARING E, CONN ROD 13218-413-015	004	\$8.40
08	CLIP (18MM) 94601-18000	004	\$0.57



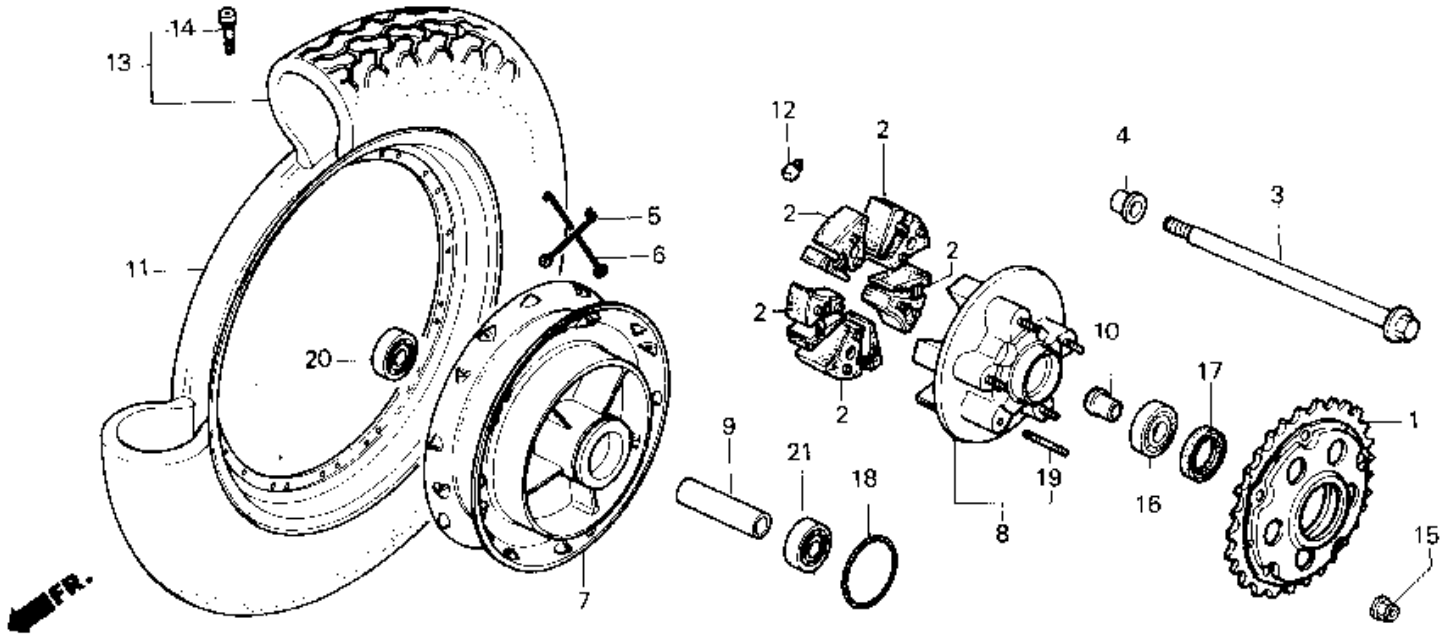
REF#	PART	#REQ	REMARKS	YOUR PRICE
01	COLLAR, RR. 42313-MM2-670	001		\$14.07
02	PANEL, RR. BRAKE 43100-MF5-010	001		\$140.06
03	*06430-413-405 43120-413-405	002		\$13.68
03	*06430-413-405 43120-413-405	002		\$13.68
04	CAM, RR. BRAKE 43141-ME4-000	001		\$18.66
05	SPRING, RR. 43151-329-000	002		\$1.61
06	ARM, RR. BRAKE 43410-ML4-000	001		\$20.44
07	RUBBER 43434-286-000	001		\$1.41
08	DUST SEAL, BRAKE CAM 45134-250-000	001		\$1.55
09	INDICATOR, FR. BRAKE 45145-400-000	001		\$3.99
10	NUT, AXLE (16MM) 90305-KE8-003	001		\$4.34
11	WASHER A 90524-030-000	001		\$0.80
12	WASHER, PLAIN (16MM) 90559-469-000	001		\$2.84
13	BOLT, RR. 90127-393-000	001		\$2.69
14	NUT, HEX. (8MM) 94001-08000-0S	001		\$0.41

15	WASHER, PLAIN (8MM) 94101-08000	001	\$0.31
16	PIN, COTTER (2.0X35) 94201-20350	001	\$0.52
16	PIN, COTTER (2.0X35) 94201-20350	001	\$0.52
16	PIN, SPLIT (2.0X22) 94201-20220	001	\$0.50
16	PIN, COTTER (2.0X35) 94201-20350	001	\$0.52
16	PIN, COTTER (2.0X35) 94201-20350	001	\$0.52
16	PIN, COTTER (2.0X35) 94201-20350	001	\$0.52
16	PIN, COTTER (2.0X35) 94201-20350	001	\$0.52
16	PIN, COTTER (2.0X22) 94201-29220	001	\$0.50
17	PIN, COTTER (2.0X35) 94201-20350	001	\$0.52
17	PIN, SPLIT (2.0X22) 94201-20220	001	\$0.50
17	PIN, COTTER (2.0X35) 94201-20350	001	\$0.52
17	PIN, COTTER (2.0X35) 94201-20350	001	\$0.52
17	PIN, COTTER (2.0X35) 94201-20350	001	\$0.52
17	PIN, COTTER (2.0X35) 94201-20350	001	\$0.52
17	PIN, COTTER (2.0X22) 94201-29220	001	\$0.50
18	BOLT, FLANGE (6X22) 95701-06022-00	001	\$0.57
18	BOLT, FLANGE (6X22) 95701-06022-00	001	\$0.57



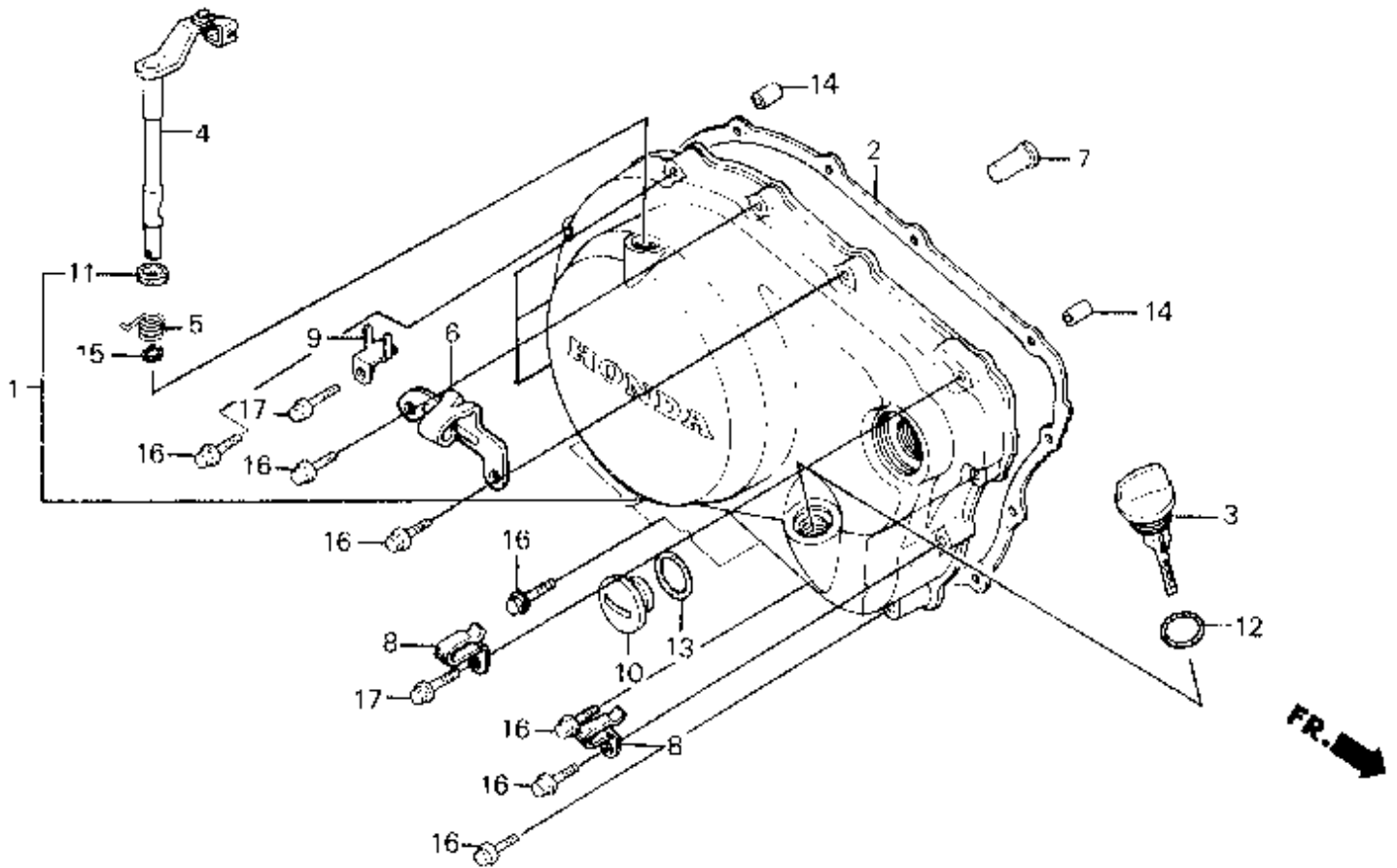
REF#	PART	#REQ	REMARKS	YOUR PRICE
01	RUBBER, CUSHION 17622-GB7-900	002		\$2.65
02	GROMMET, WIRE 22917-567-000	001		\$1.36
03	REFLECTOR, REFLEX 33741-MC7-612	002		\$8.75
04	GROMMET B, TUBE 36038-657-000	001		\$3.02
05	BOLT, RR. 52452-MM2-000	002		\$32.02
06	FENDER, RR. *NH1* 80100-MM2-000ZC	001		\$181.57
06	FENDER, RR. *R101CU* 80100-MM2-000ZD	001		\$188.47
07	PLATE, R. TAIL 84100-MM2-770	001		\$67.07
08	PLATE, L. TAIL 84200-MM2-770	001		\$67.07
09	BOLT (8X32) 90122-KR3-000	002		\$1.99
10	BOLT (8X40) 90122-MM2-000	002		\$2.17
11	BOLT (8X12) 90125-KR3-000	002		\$2.17
12	NUT, SPECIAL (8MM) 90307-MM2-000	002		\$2.07

13	WASHER (34X15.5MM) 90501-MM2-000	002	\$5.43
14	NUT, FLANGE (5MM) 94050-05000	002	\$0.48



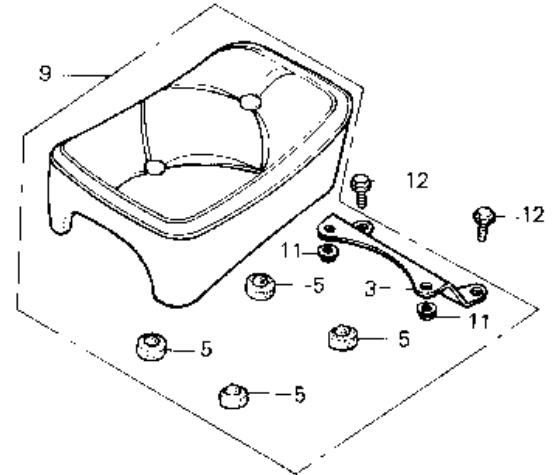
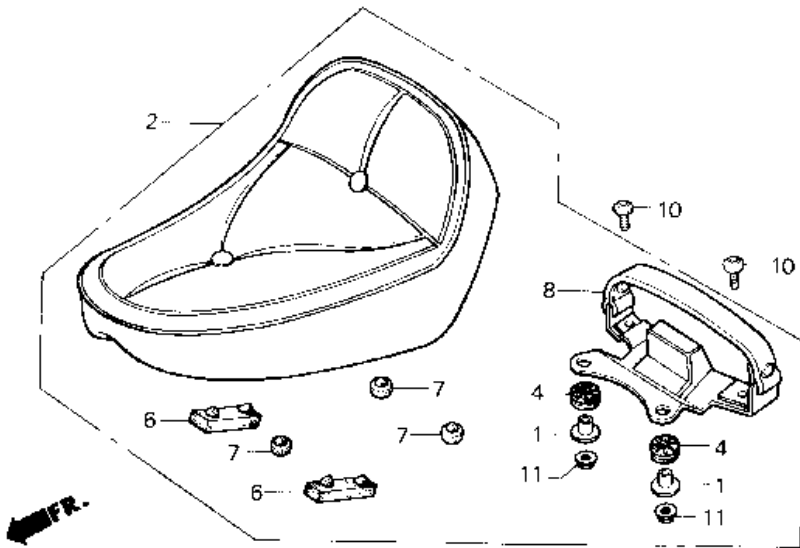
REF#	PART	#REQ	REMARKS	YOUR PRICE
01	SPROCKET (37T) 41200-MM2-670	001		\$54.21
02	DAMPER, RR. WHEEL 41241-MA6-000	005		\$8.88
03	AXLE, RR. WHEEL 42301-MM2-770	001		\$26.24
04	COLLAR, RR. WHEEL 42312-MC4-000	001		\$13.08
05	SPOKE SET A, RR. 426A0-MM2-671	016		\$2.42
06	SPOKE SET B, RR. 426B0-MM2-671	016		\$2.06
07	HUB, RR. WHEEL 42601-MM2-670	001		\$327.88
08	FLANGE, FINAL DRIVEN 42610-MM2-770	001		\$105.50
09	COLLAR, RR. 42620-MM2-670	001		\$9.09
10	COLLAR B, RR. 42625-MA6-000	001		\$17.49
11	RIM, RR. WHEEL 42701-MM2-671	001		\$292.38
12	WEIGHT (10G) 42704-MM2-670	AR		\$5.57
12	WEIGHT (20G) 42705-MM2-670	AR		\$5.71
12	WEIGHT (30G) 42706-MM2-670	AR		\$5.71
13	TIRE (140/90-15) 42710-MK7-671	001		\$119.00
13	TIRE (140/90-15) 42710-MK7-671	001		\$119.00
13	TIRE (140/90-15) 42710-MK7-671	001		\$119.00

14	VALVE, RIM 42753-ML7-003	001	\$6.82
14	VALVE, RIM 42753-ML7-004	001	\$6.82
15	NUT, U (10MM) 90304-GE8-003	005	\$2.28
16	BEARING (6204U) 96140-62040-10	001	\$11.69
16	BEARING (6204U) 96140-62040-10	001	\$11.69
17	OIL SEAL (28X47.2X7) 91252-MC4-013	001	\$3.85
17	OIL SEAL (28X47.2X7) 91252-MC4-013	001	\$3.85
17	OIL SEAL (28X47.2X7) 91252-MC4-013	001	\$3.85
18	O-RING (61X2) 91302-MA6-003	001	\$2.88
19	BOLT, STUD (10X45) 92716-10045-0E	005	\$1.32
20	BEARING (6203UU) 96150-62030-10	001	\$7.87
21	BEARING (6303UU) 96150-63030-10	001	\$14.04

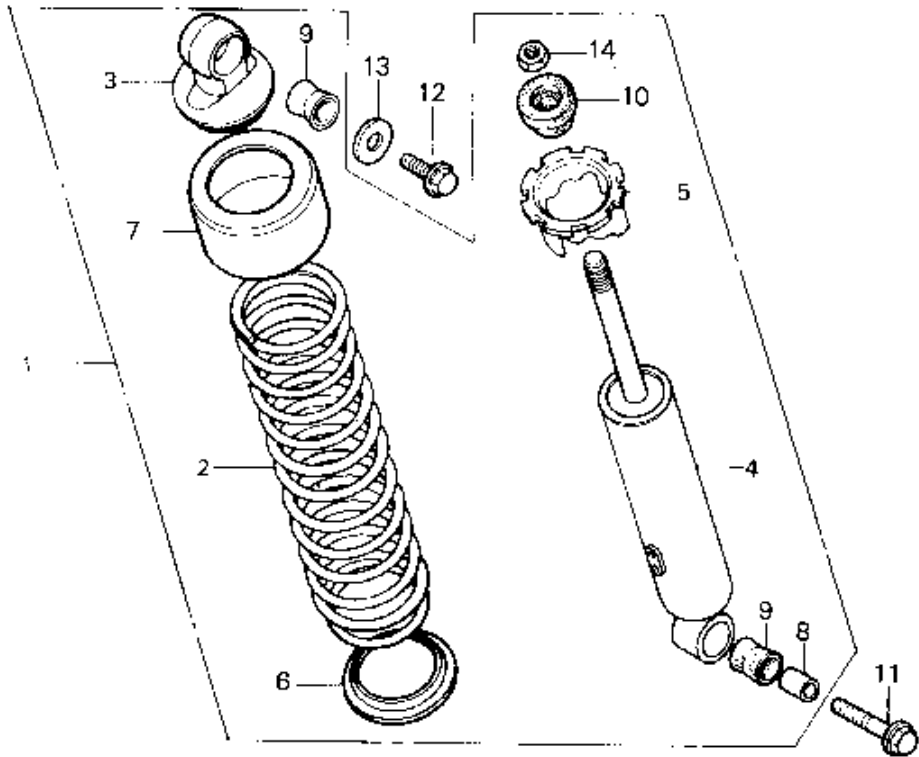
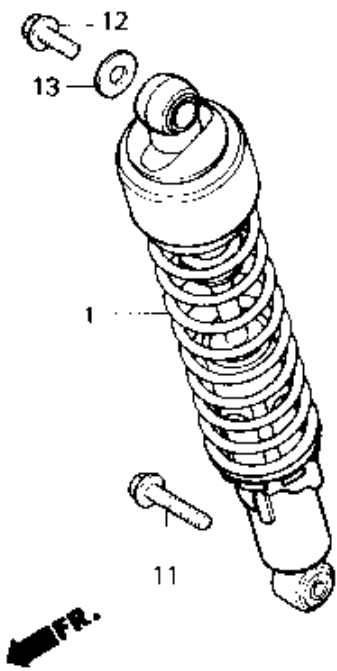


REF#	PART	#REQ	REMARKS	YOUR PRICE
01	COVER, R. CRANKCASE 11330-MM2-670	001		\$126.08
02	GASKET, R. COVER 11393-ML4-306	001		\$6.75
02	GASKET, R. COVER 11393-ML4-306	001		\$6.75
03	DIPSTICK, OIL 15650-ML4-610	001		\$5.64
04	LEVER, CLUTCH 22810-MM2-670	001		\$27.17
05	SPRING, CLUTCH LEVER 22815-413-000	001		\$1.74
06	RECEIVER 22821-MM2-770	001		\$8.65
07	ROD, CLUTCH LIFTER 22847-ME0-000	001		\$3.61
08	CLAMP 32907-KM9-000	002		\$2.04
09	CLAMP, WIRE 32964-GK8-000	001		\$2.17
10	BOLT, SPECIAL (25MM) 90008-443-000	001		\$12.03
10	BOLT, SPECIAL (25MM) 90008-443-000	001		\$12.03

11	OIL SEAL (12X18X5) 91204-KK0-003	001	\$2.80
12	O-RING (22X3.0) 91307-425-003	001	\$1.18
12	O-RING (22X3.0) 91307-425-003	001	\$1.18
13	O-RING (25.4X2.4) 91307-703-000	001	\$1.55
14	PIN, DOWEL (8X14) 94301-08140	002	\$0.81
15	CIRCLIP (10MM) 94510-10000	001	\$0.48
16	BOLT, FLANGE (6X28) 96001-06028-00	012	\$0.85
16	BOLT, FLANGE (6X28) 96001-06028-00	012	\$0.85
17	BOLT, FLANGE (6X35) 96001-06035-00	002	\$0.71
17	BOLT, FLANGE (6X35) 96001-06035-00	002	\$0.71

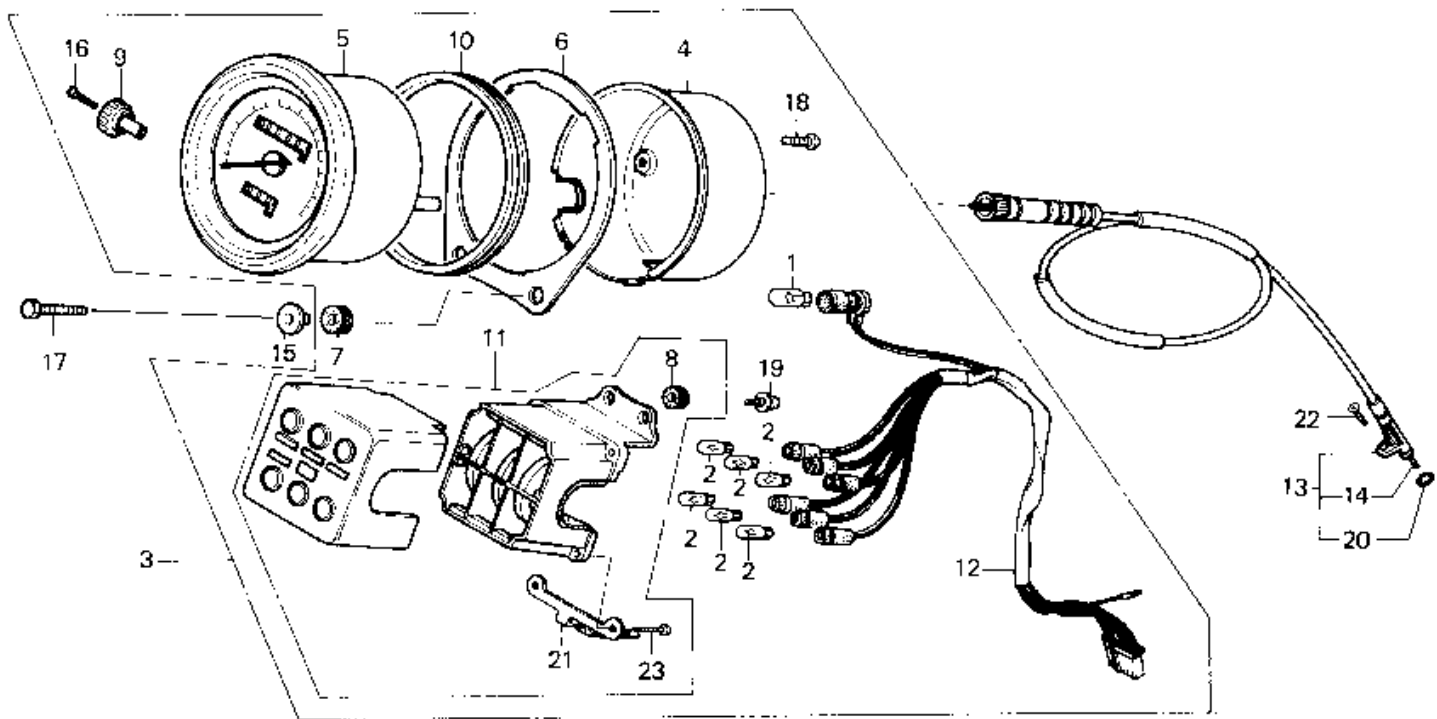


REF#	PART	#REQ	REMARKS	YOUR PRICE
01	COLLAR (6.3X22) 61318-MF8-000	002		\$2.83
02	SEAT ASSY., FR. 77100-MM2-770	001		\$180.01
03	STAY, RR. SEAT 77203-MM2-000	001		\$12.11
04	RUBBER, SEAT SETTING 77206-MM2-000	002		\$2.83
05	RUBBER, SEAT SETTING 77206-426-000	004		\$2.80
06	RUBBER C 77207-KR3-000	002		\$3.16
07	RUBBER E 77209-KR3-000	002		\$2.51
08	SEAT BELT 77210-MM2-000	001		\$43.65
09	SEAT ASSY., RR. 77300-MM2-770	001		\$127.67
10	BOLT, FLANGE (8X14) 95701-08014-00	002		\$0.69
10	BOLT, FLANGE (8X14) 95701-08014-00	002		\$0.69
11	NUT, FLANGE (6MM) 94050-06080	004		\$0.14
12	BOLT, FLANGE (6X10) 96001-06010-07	002		\$0.57
12	BOLT, FLANGE (6X10) 96001-06010-07	002		\$0.57



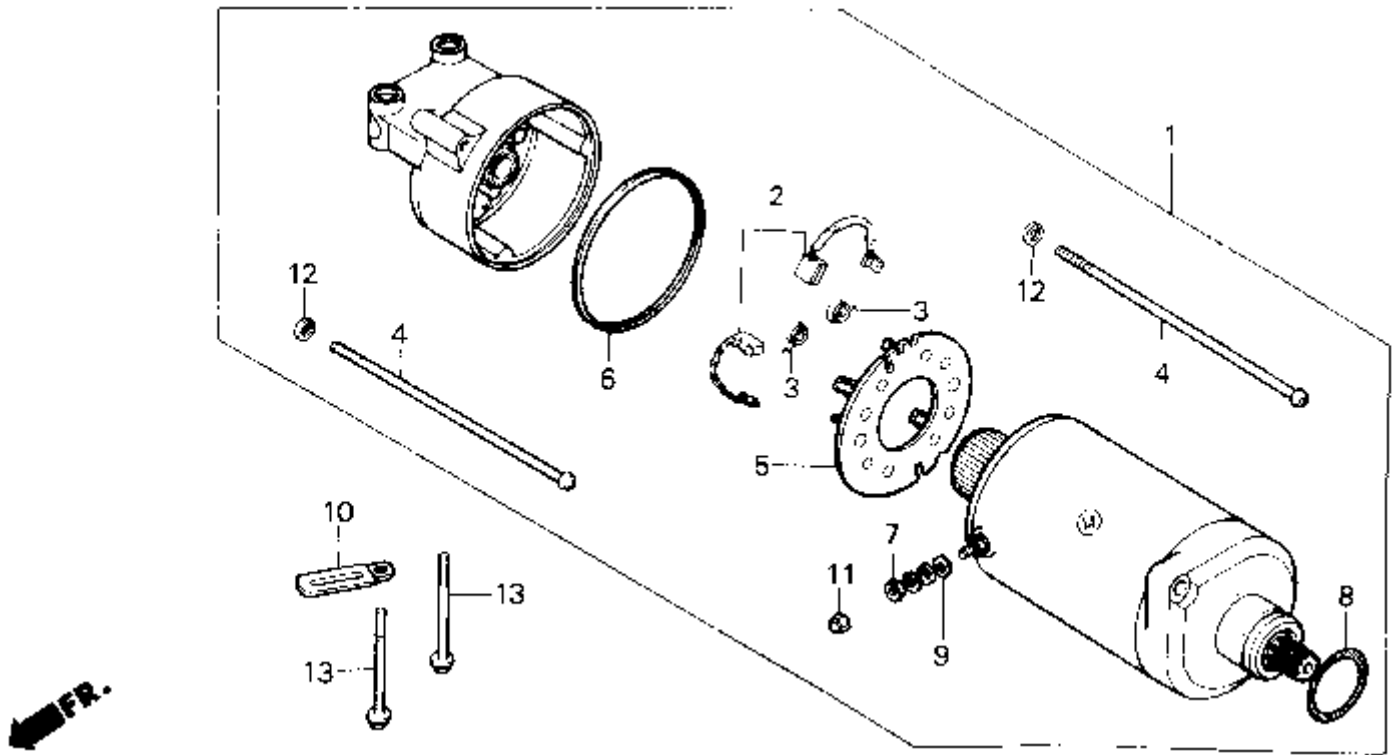
REF#	PART	#REQ	REMARKS	YOUR PRICE
01	SHOCK ABSORBER, RR. 52400-MM2-671	002		\$131.74
02	SPRING, RR. SHOCK 52401-MM2-671	002		\$31.36
03	JOINT (UPPER) 52403-KR3-003	002		\$11.51
04	DAMPER, RR. 52410-MM2-771	002		\$98.76
05	ADJUSTER, SPRING 52422-404-003	002		\$12.49
06	SEAT, RR. (LOWER) 52458-329-000	002		\$3.43
07	CASE, RR. SHOCK 52460-KR3-003	002		\$12.54
08	COLLAR, RR. SHOCK 52486-463-000	002		\$3.91
09	BUSH, RR. SHOCK 52489-KR3-003	004		\$2.65
10	RUBBER, STOPPER 52517-404-003	002		\$3.99
11	BOLT (10X38) 90124-KR3-000	002		\$4.34
12	BOLT (8X12) 90125-KR3-000	002		\$2.17
13	WASHER (8.5X26) 90504-ME4-000	002		\$1.85
14	NUT, HEX. (10MM) 94002-10000-0S	002		\$1.01

FR. →



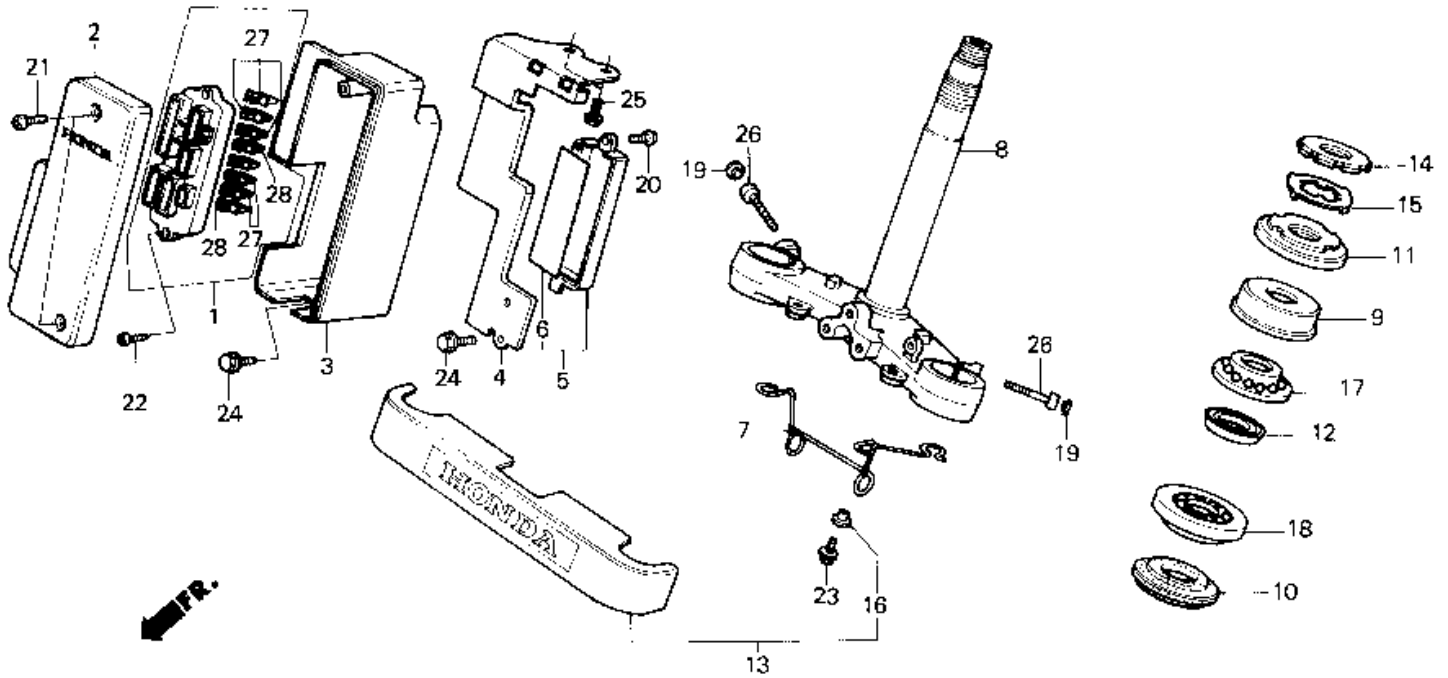
REF#	PART	#REQ	REMARKS	YOUR PRICE
01	BULB (12V5W3CP) 34901-SB0-671	001		\$1.09
02	BULB (12V3W) 34908-KM1-671	006		\$1.41
03	SPEEDOMETER ASSY. 37200-MM2-770	001		\$289.56
04	COVER, SPEEDOMETER 37202-MM2-008	001		\$39.17
04	COVER, SPEEDOMETER 37202-MM2-008	001		\$39.17
05	SPEEDOMETER 37210-MM2-770	001		\$167.55
06	BRACKET 37211-MM2-771	001		\$13.06
06	BRACKET 37211-MM2-771	001		\$13.06
07	RUBBER, SETTING 37215-KR3-672	002		\$1.40
08	RUB, METER MOUNTING 37216-MM2-008	002		\$1.64
08	RUB, METER MOUNTING 37216-MM2-008	002		\$1.64
09	KNOB 37220-MM2-008	001		\$5.68
09	KNOB 37220-MM2-008	001		\$5.68
10	RUBBER, CUSHION 37242-MM2-771	001		\$5.99

11	BOX, PILOT 37610-MM2-008	001	\$25.73
11	BOX, PILOT 37610-MM2-008	001	\$25.73
12	SOCKET 37619-MM2-670	001	\$50.22
13	CABLE, SPEEDOMETER 44830-KR3-000	001	\$15.62
14	CABLE (INNER) 44831-KR3-000	001	\$3.47
15	COLLAR (6.1X9.5) 91451-KE4-690	002	\$1.75
16	SCREW, PAN (2X6) 90600-KJ9-700	001	\$1.29
17	SCREW, METER SETTING 90104-MM2-000	002	\$2.07
18	SCREW, TRUSS (4X12) 90106-KN8-008	002	\$1.06
18	SCREW, TRUSS (4X12) 90106-KN8-008	002	\$1.06
19	SCREW, PAN (4X10) 90141-MM2-000	002	\$1.64
20	O-RING (6.8X1.9) 91306-PJ4-000	001	\$1.15
20	O-RING (6.8X1.9) 91306-PJ4-000	001	\$1.15
20	O-RING (6.8X1.9) 91306-PJ4-000	001	\$1.15
21	CLAMP, WIRE 91406-MM2-000	001	\$4.55
22	SCREW, OVAL (5X20) 93700-05020-0G	001	\$0.25
23	SCREW, TAP (3X14) 90101-KY6-008	004	\$1.32
23	SCREW, TAP (3X14) 90101-KY6-008	004	\$1.32
23	SCREW, TAP (3X14) 90101-KY6-008	004	\$1.32



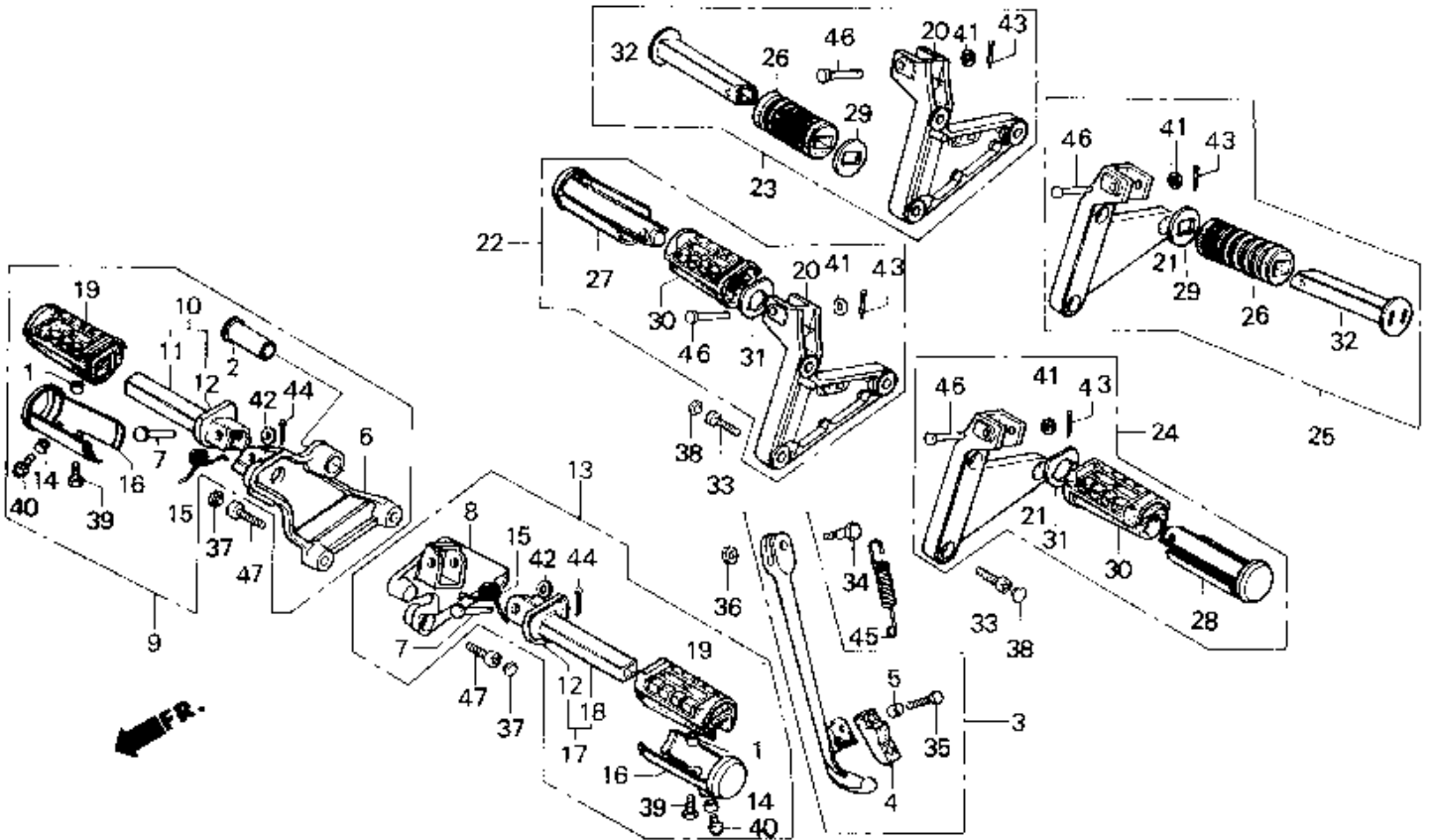
REF#	PART	#REQ	REMARKS	YOUR PRICE
01	MOTOR ASSY., STARTER 31200-MM2-405	001		\$236.24
02	TERMINAL SET, BRUSH 31201-MG7-000	001		\$9.84
02	TERMINAL SET, BRUSH 31201-MG7-000	001		\$9.84
03	SPRING, CARBON BRUSH 31204-MA6-000	004		\$2.60
04	BOLT, SETTING 31205-HA0-000	002		\$2.42
05	HOLDER SET, BRUSH 31206-MM5-008	001		\$12.40
05	HOLDER SET, BRUSH 31206-MM5-008	001		\$12.40
06	RING, SEAL 31207-179-711	002		\$2.34
07	NUT-WASHER (6MM) 90071-MB0-000	001		\$1.18
08	O-RING (24.4X3.1) 91312-MG7-003	001		\$3.37
08	O-RING (24.4X3.1) 91312-MG7-003	001		\$3.37
09	O-RING 91320-MB0-000	001		\$1.40
10	CLIP, CABLE 91405-671-000	001		\$3.39
11	NUT, CAP (6MM) 94021-06020	001		\$0.74
11	NUT, CAP (6MM) 94021-06020	001		\$0.74

11	NUT, CAP (6MM) 94021-06020	001	\$0.74
11	NUT, CAP (6MM) 94021-06020	001	\$0.74
11	NUT, CAP (6MM) 94021-06020	001	\$0.74
12	WASHER, SPRING (5MM) 94111-05000	002	\$0.39
13	BOLT, FLANGE (6X60) 95701-06060-00	002	\$0.78
13	BOLT, FLANGE (6X60) 95701-06060-00	002	\$0.78



REF#	PART	#REQ	REMARKS	YOUR PRICE
01	BOX ASSY., JOINT 32450-MM2-000	001		\$31.54
02	COVER, JOINT BOX 32451-MM2-000	001		\$14.31
03	CASE, JOINT BOX 32452-MM2-000	001		\$13.36
04	STAY, JOINT BOX 32453-MM2-000	001		\$17.98
05	COVER, FUSE 38201-MM2-670	001		\$7.52
06	LABEL, FUSE 38215-MM2-670	001		\$1.74
07	CLAMP, BRAKE HOSE 45466-MM2-770	001		\$7.52
08	STEM, STEERING 53200-MM2-670	001		\$154.77
09	DUST SEAL 53213-MB4-771	001		\$6.48
10	DUST SEAL 53214-371-010	001		\$6.73
11	THREAD (UPPER) 53220-422-000	001		\$17.51
13	COVER, FR. 61401-MM2-000	001		\$17.47
14	THREAD 90302-425-830	001		\$11.63
15	WASHER, LOCK 90506-425-830	001		\$3.99
16	WASHER 90522-028-000	002		\$1.65
17	BEARING, HEAD PIPE 91015-KT8-005	001		\$21.25
18	BEARING, HEAD PIPE 91016-KT8-005	001		\$21.25

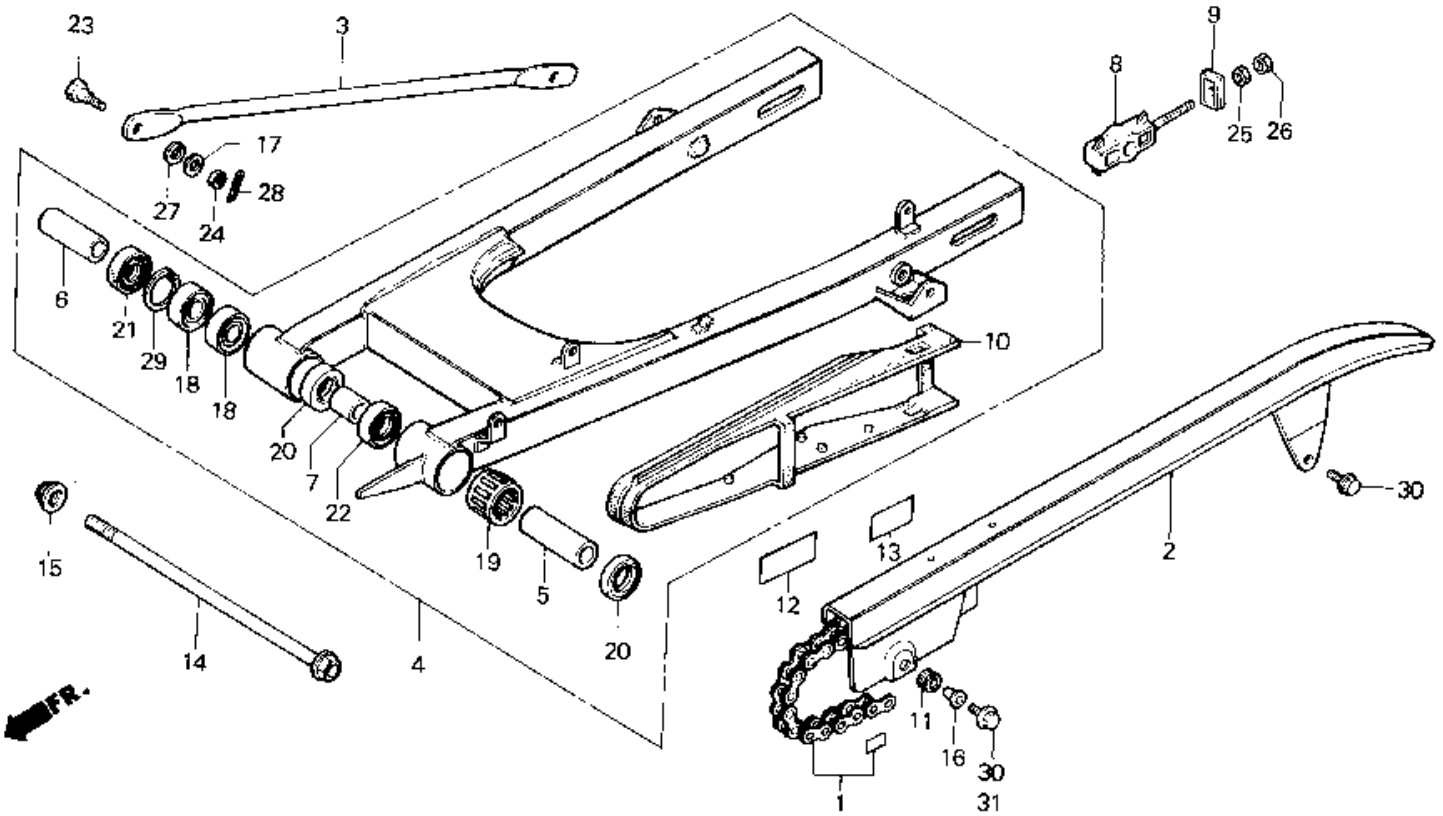
19	CAP (10MM) 91456-ME1-670	002	\$1.92
20	SCREW, PAN (4X12) 93500-04012-0A	001	\$0.36
21	SCREW, PAN (4X10) 93500-04010-0G	002	\$0.34
22	SCREW, TAP (4X12) 93901-34320	002	\$0.36
23	BOLT, FLANGE (6X16) 95701-06016-07	002	\$0.39
23	BOLT, FLANGE (6X16) 95701-06016-07	002	\$0.39
24	BOLT, FLANGE (6X12) 96001-06012-00	002	\$0.63
24	BOLT, FLANGE (6X12) 96001-06012-00	002	\$0.63
25	BOLT, FLANGE (6X14) 96001-06014-07	002	\$0.69
25	BOLT, FLANGE (6X14) 96001-06014-07	002	\$0.69
26	BOLT, SOCKET (10X25) 96700-10025-17	002	\$0.97
27	FUSE, BLADE (10A) 98200-31000	005	\$0.53
28	FUSE, BLADE (15A) 98200-31500	002	\$0.53



REF#	PART	#REQ	REMARKS	YOUR PRICE
01	COLLAR, CHAIN CASE 40515-413-000	002		\$1.55
02	BUSH A, RR. 46535-MM2-003	001		\$10.09
03	BAR, SIDE STAND 50540-MM2-000	001		\$42.53
04	RUBBER, STAND 50548-356-700	001		\$5.61
05	COLLAR 50549-356-700	001		\$1.37
06	BRACKET, R. STEP 50601-MM2-770	001		\$35.49
07	PIN, STEP BAR JOINT 50603-033-000	002		\$1.81
07	PIN, STEP BAR JOINT 50603-033-010	002		\$1.81
08	BRACKET, L. STEP 50605-MM2-770	001		\$37.09
09	STEP ASSY., R. MAIN 50610-MM2-770	001		\$51.87
11	BAR, R. STEP 50612-MM2-770	001		\$10.54
12	WASHER, MAIN STEP 50614-MM2-770	002		\$2.03
13	STEP ASSY., L. MAIN 50615-MM2-770	001		\$51.87

14	COLR, ENGINE SETTING 50318-GE2-000	002	\$3.11
16	STOPPER, STEP RUBBER 50619-MM2-770	002	\$7.52
18	BAR, L. STEP 50642-MM2-770	001	\$9.70
19	RUBBER, MAIN STEP 50661-MK7-000	002	\$5.75
20	BRACKET, R. 50680-MM2-000	001	\$47.12
21	BRACKET, L. 50690-MM2-000	001	\$47.68
23	STEP, R. PILLION 50700-MM2-770	001	\$64.04
25	STEP, L. PILLION 50705-MM2-770	001	\$53.21
26	RUB, PILLION FOOTPEG 50716-371-660	002	\$7.60
26	RUB, PILLION FOOTPEG 50716-371-660	002	\$7.60
29	WASHER 50712-377-000	002	\$2.34
32	BAR, PILLION FOOTPEG 50715-MA6-000	002	\$13.03
32	BAR, PILLION FOOTPEG 50715-MA6-000	002	\$13.03
33	BOLT, SOCKET (8X28) 90105-MA6-750	004	\$2.74
34	SCREW 90108-KG0-000	001	\$3.99
34	SCREW 90108-KG0-000	001	\$3.99
35	BOLT 90115-MB0-000	001	\$1.58
36	NUT, U (10MM) 90304-GE8-003	001	\$2.28
37	CAP (8MM) 91455-MB0-010	004	\$2.07
38	CAP (10MM) 91456-MJ0-000	004	\$2.07
39	BOLT, HEX. (6X12) 92101-06012-0A	002	\$0.42
39	BOLT, HEX. (6X12) 92101-06012-0A	002	\$0.42
39	BOLT, HEX. (6X12) 92101-06012-0A	002	\$0.42
39	BOLT, HEX. (6X12) 92101-06012-0A	002	\$0.42
39	BOLT, HEX. (6X12) 92101-06012-0A	002	\$0.42
40	BOLT, CAP (8X16) 92501-08016-0A	002	\$1.26
40	BOLT, CAP (8X16) 92501-08016-0A	002	\$1.26
41	WASHER, PLAIN (6MM) 94101-06000	002	\$0.22
41	WASHER, PLAIN (6MM) 94101-06800	002	\$0.22
41	WASHER, PLAIN (6MM) 94101-06800	002	\$0.22
42	WASHER, PLAIN (8MM) 94101-08000	002	\$0.31

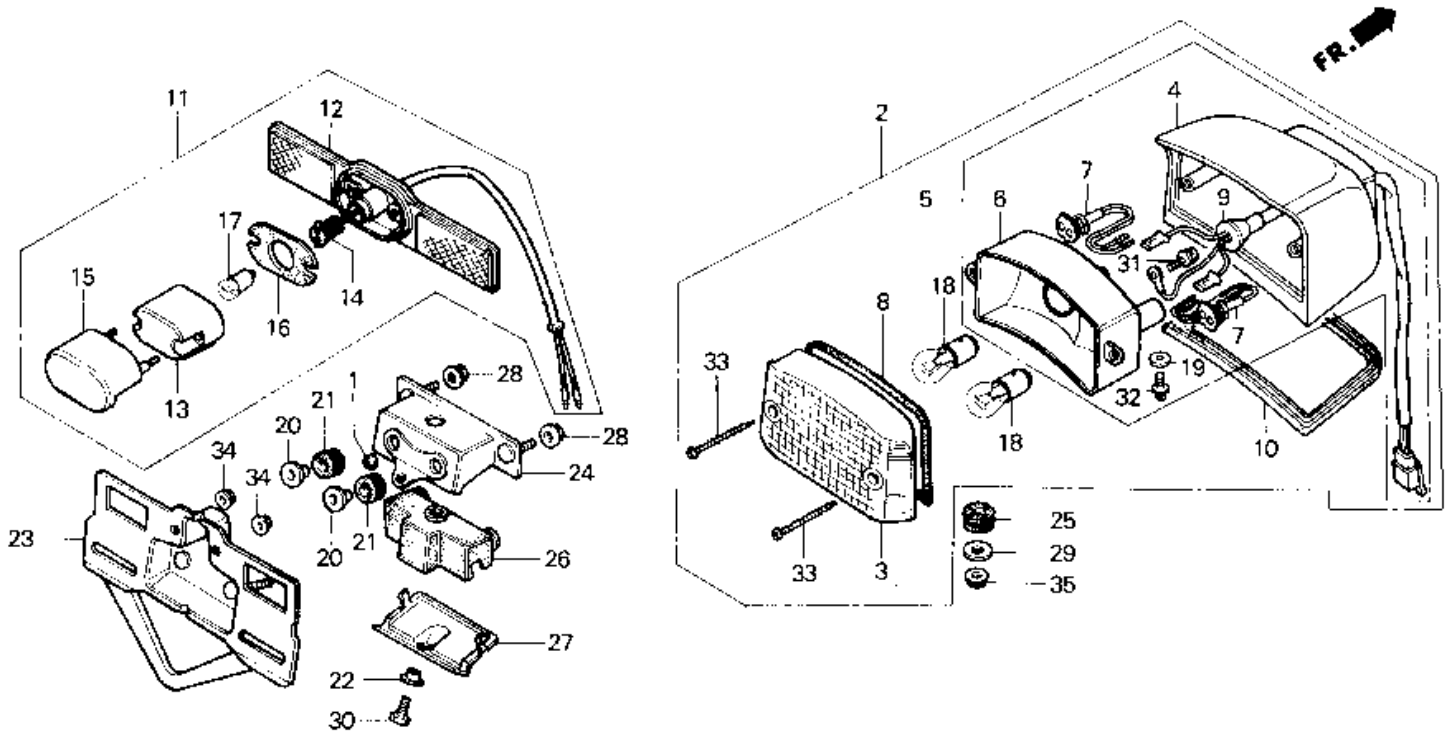
43	PIN, COTTER (1.6X10) 94201-16100	002	\$0.34
44	PIN, COTTER (1.6X25) 94201-16250	002	\$0.42
44	PIN, COTTER (1.6X25) 94201-16250	002	\$0.42
45	SPRING, SIDE STAND 50541-MJ0-600	001	\$4.17
46	PIN A, PILLION STEP 95015-81000	002	\$1.12
47	BOLT, SOCKET (8X25) 96600-08025-00	004	\$0.99
47	BOLT, SOCKET (8X25) 96600-08025-00	004	\$0.99



REF#	PART	#REQ	REMARKS	YOUR PRICE
01	CHAIN SET, DRIVE 405A3-MM2-671	001		\$118.31
01	CHAIN SET, DRIVE 405A3-MM2-672	001		\$113.04
02	CASE, DRIVE CHAIN 40500-MM2-770	001		\$93.97
03	ARM, RR. 43431-413-010	001		\$7.43
04	SWINGARM ASSY., RR. 52100-MM2-680	001		\$251.82
05	COLLAR A, SWINGARM 52101-MM2-680	001		\$10.98
06	COLLAR C, SWINGARM 52103-MM2-670	001		\$8.25
07	COLLAR B, SWINGARM 52105-MM2-670	001		\$5.71
08	COLLAR 52120-KG4-000	002		\$27.94
09	PLATE 52121-KG4-000	002		\$12.39
10	SLIDER, CHAIN 52170-MM2-770	001		\$22.65
11	GROMMET 83551-MB9-000	001		\$1.46
12	MARK, TIRE CAUTION 87505-MM2-770	001		\$2.98
13	MARK 87507-MK4-601	001		\$2.98

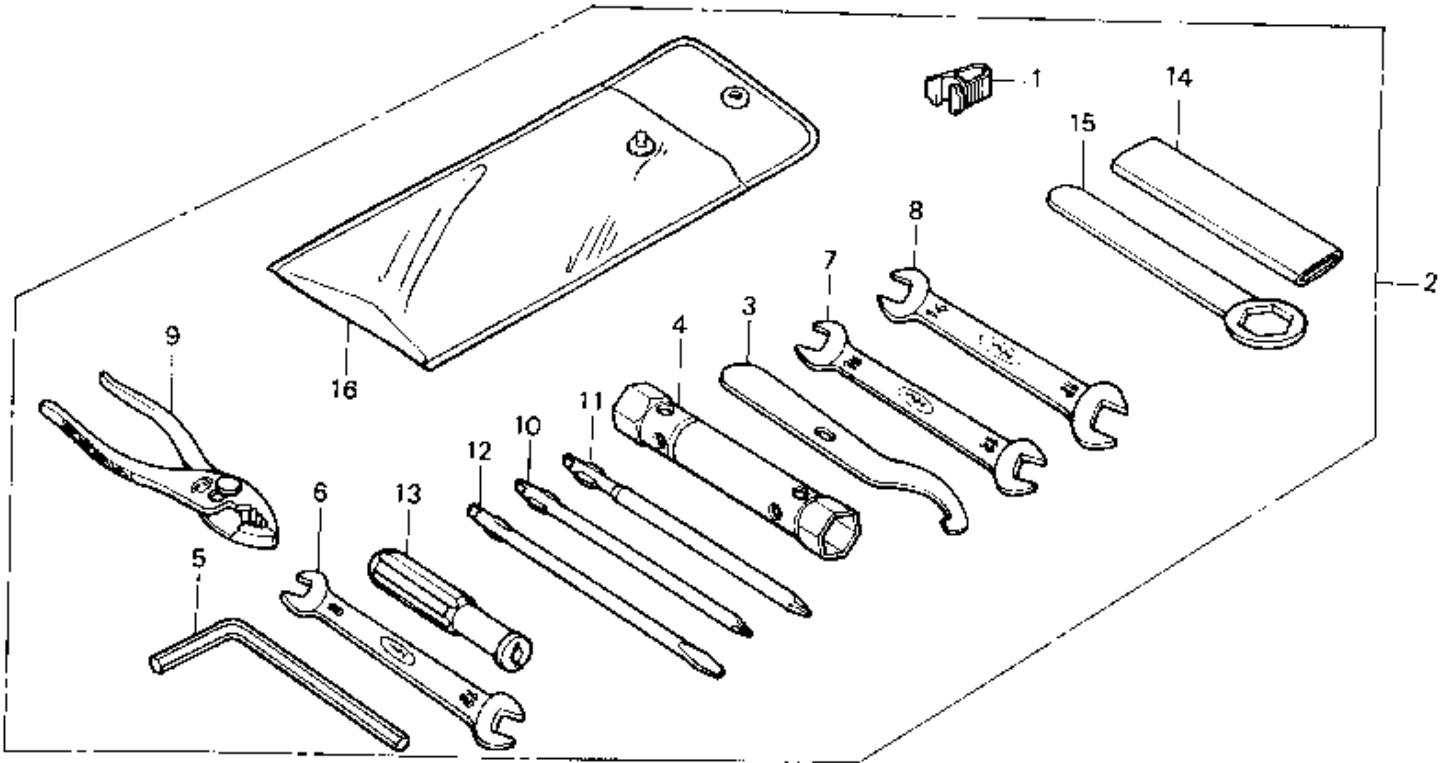
13	MARK 87507-MK4-601	001	\$2.98
14	BOLT, SWINGARM PIVOT 90121-MM2-770	001	\$22.16
15	NUT, U (14MM) 90305-GE8-003	001	\$2.16
15	NUT, U (14MM) 90305-GE8-003	001	\$2.16
16	WASHER (6X20) 90502-VA4-640	001	\$1.83
17	WASHER A 90524-030-000	001	\$0.80
17	WASHER A 90524-030-000	001	\$0.80
18	BEARING (6202) 96100-62020-10	002	\$7.08
19	BEARING (22X29X30) 91071-MJ0-003	001	\$19.70
19	BEARING, NEEDLE 91071-MJ0-004	001	\$19.70
20	OIL SEAL (22X31X5) 91205-965-003	002	\$3.63
20	OIL SEAL (22X31X5) 91205-965-003	002	\$3.63
20	OIL SEAL (22X31X5) 91205-965-003	002	\$3.63
21	DUST SEAL (22X35X7) 91213-MB2-003	001	\$4.14
21	DUST SEAL (22X35X7) 91213-MB2-003	001	\$4.14
22	DUST SEAL (22X29X4) 91283-ML7-003	001	\$3.71
23	BOLT, RR. 90133-286-000	001	\$2.48
24	NUT, HEX. (8MM) 94001-08000-0S	001	\$0.41
25	NUT, HEX. (8MM) 94030-08000	002	\$0.38
26	NUT, HEX. (8MM) 94001-08000-0S	002	\$0.41
27	WASHER (10MM) 94111-10000	001	\$0.48
28	PIN, COTTER (2.0X35) 94201-20350	001	\$0.52
28	PIN, COTTER (2.0X35) 94201-20350	001	\$0.52
28	PIN, SPLIT (2.0X22) 94201-20220	001	\$0.50
28	PIN, COTTER (2.0X35) 94201-20350	001	\$0.52
28	PIN, COTTER (2.0X35) 94201-20350	001	\$0.52
28	PIN, COTTER (2.0X35) 94201-20350	001	\$0.52
28	PIN, COTTER (2.0X35) 94201-20350	001	\$0.52
28	PIN, COTTER (2.0X22) 94201-29220	001	\$0.50
29	CIRCLIP (35MM) 94520-35000	001	\$0.81
30	BOLT, FLANGE (6X8) 96001-06008-02	001	\$0.80

30	BOLT, FLANGE (6X8) 96001-06008-02	001	\$0.80
31	BOLT, FLANGE (6X14) 96001-06014-02	001	\$0.71
31	BOLT, FLANGE (6X14) 96001-06014-02	001	\$0.71



REF#	PART	#REQ	REMARKS	YOUR PRICE
01	GROMMET B, RR. 33666-053-000	001		\$0.81
02	TAILLIGHT UNIT 33701-MM2-671	001		\$74.30
03	LENS, TAILLIGHT 33702-MM2-003	001		\$17.60
04	BASE, TAILLIGHT 33703-MM2-003	001		\$25.70
05	BASE, TAILLIGHT 33704-MM2-671	001		\$40.10
06	REFLECTOR, TAILLIGHT 33705-MM2-671	001		\$11.65
07	WIRE, TAILLIGHT 33706-MM2-003	002		\$4.48
08	GSKT, TAILLIGHT LENS 33709-KR3-671	001		\$2.24
09	SUB-WIRE, TAILLIGHT 33711-MM2-003	001		\$14.22
10	GASKET, TAILLIGHT 33717-KR3-671	001		\$7.29
11	LIGHT ASSY., LICENSE 33720-MM2-670	001		\$66.85
12	BASE 33721-MB1-671	001		\$42.98
13	LENS, LICENSE 33722-MB1-013	001		\$10.81
14	WIRE, LICENSE 33725-MM2-670	001		\$7.03
15	COVER 33727-MB1-003	001		\$14.38
16	GASKET, LENS 33729-MB1-003	001		\$3.29

17	BULB (12V8W4CP) (67) 34909-505-003	001	\$1.30
17	BULB (12V8W4CP) (67) 34909-505-003	001	\$1.30
17	BULB (12V8W4CP) (67) 34909-505-003	001	\$1.30
17	BULB (12V8W4CP) (67) 34909-505-003	001	\$1.30
17	BULB (12V8W4CP) (67) 34909-505-003	001	\$1.30
18	BULB (12V27/7W) 34906-MG9-771	002	\$1.99
19	WASHER (5.5MM) 37314-061-810	001	\$0.76
20	COLLAR, FR. FENDER 61104-428-000	002	\$2.98
20	COLLAR, FR. FENDER 61104-428-000	002	\$2.98
20	COLLAR, FR. FENDER 61104-428-000	002	\$2.98
21	RUBBER 61304-415-000	002	\$1.92
22	COLLAR, SIDE COVER 61406-MB1-000	001	\$1.37
23	BRKT, NUMBER PLATE 84701-MG8-000	001	\$33.42
24	STAY 84702-MM2-000	001	\$22.54
25	RUBBER A 50328-HA7-670	002	\$2.20
26	COVER, NUMBER PLATE 84703-MM2-000	001	\$12.56
27	COVER, NUMBER PLATE 84704-MM2-000	001	\$7.43
28	NUT, CAP (6MM) 90201-415-000	002	\$1.22
29	WASHER, WHEEL (6MM) 90563-355-000	002	\$1.47
29	WASHER, WHEEL (6MM) 90563-355-000	002	\$1.47
30	BOLT, HEX. (5X8) 92101-05008-0A	001	\$0.60
30	BOLT, HEX. (5X8) 92101-05008-0A	001	\$0.60
30	BOLT, HEX. (5X8) 92101-05008-0A	001	\$0.60
30	BOLT, HEX. (5X8) 92101-05008-0A	001	\$0.60
30	BOLT, HEX. (5X8) 92101-05008-0A	001	\$0.60
31	SCREW-WASHER (4X10) 93892-04010-00	001	\$0.46
31	SCREW-WASHER (4X10) 93892-04010-00	001	\$0.46
32	SCREW-WASHER (5X14) 93892-05014-00	001	\$0.50
33	SCREW, TAP (4X30) 93901-34780	002	\$0.22
34	NUT, CAP (4MM) 94021-04020-0S	002	\$0.38
35	NUT, FLANGE (6MM) 94050-06000	002	\$0.57

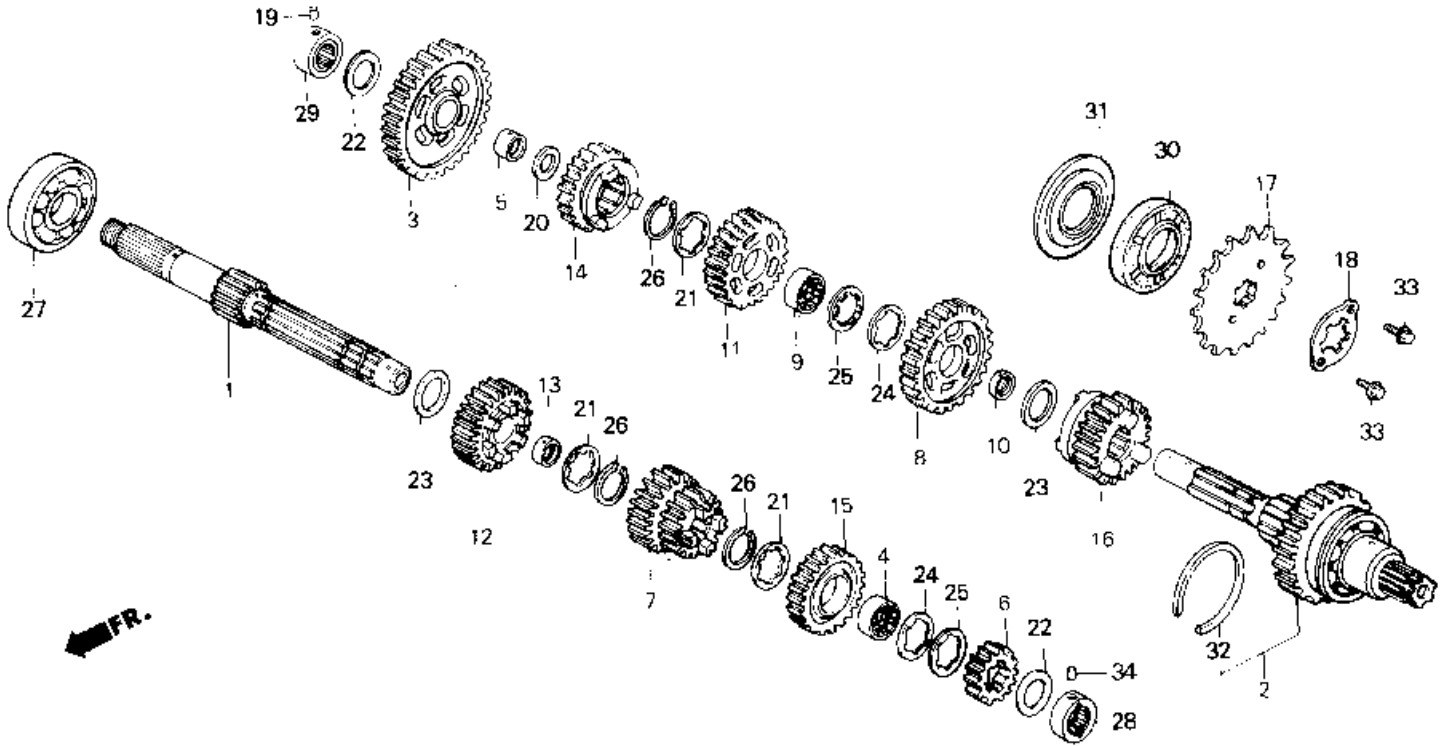


REF#	PART	#REQ	REMARKS	YOUR PRICE
01	PULLER, FUSE 38235-SA5-003	001		\$1.36
02	TOOL SET 89010-MM2-770	001		\$42.24
03	WRENCH, PIN 89215-404-670	001		\$3.15
04	WRENCH, BOX (P18) 99004-18001	001		\$2.25
05	WRENCH, HEX. (6MM) 89221-371-000	001		\$1.67
06	SPANNER (8X12) 99001-08120	001		\$1.44
07	SPANNER (10X12) 99001-10120	001		\$1.36
08	SPANNER (14X17) 99001-14170	001		\$2.38
09	PLIERS (135) 99002-13500	001		\$3.18
10	SCREWDRIVER 1 (NO.2) 99003-10000	001		\$1.39
12	SCREWDRIVER 3 (NO.2) 99003-30000	001		\$0.67
13	GRIP 99003-50000	001		\$1.43
14	HANDLE (12MM) 99006-12000	001		\$1.97
15	WRENCH, EYE (24MM) 99006-24000	001		\$3.08
16	BAG, TOOL 89101-ME5-670	001		\$3.50

16 BAG, TOOL
89101-ME5-670

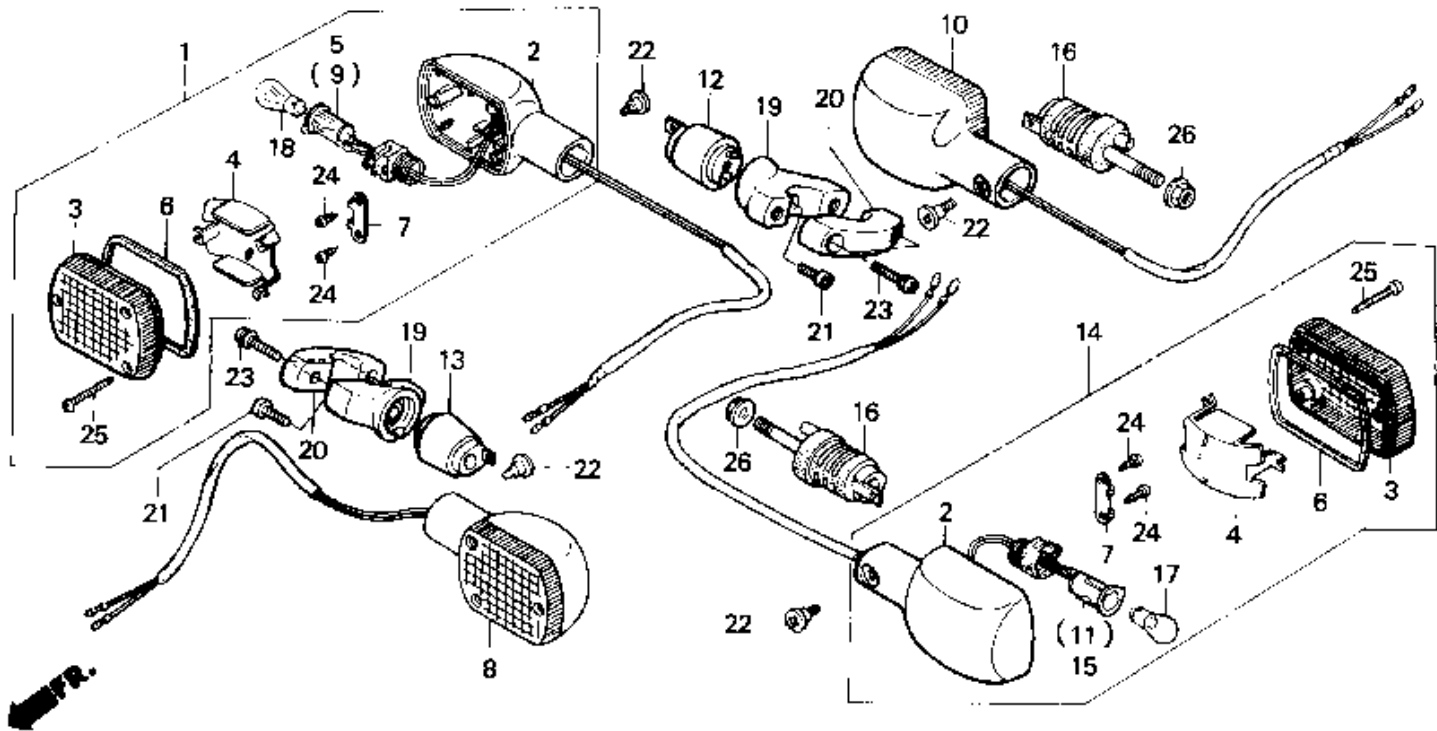
001

\$3.50



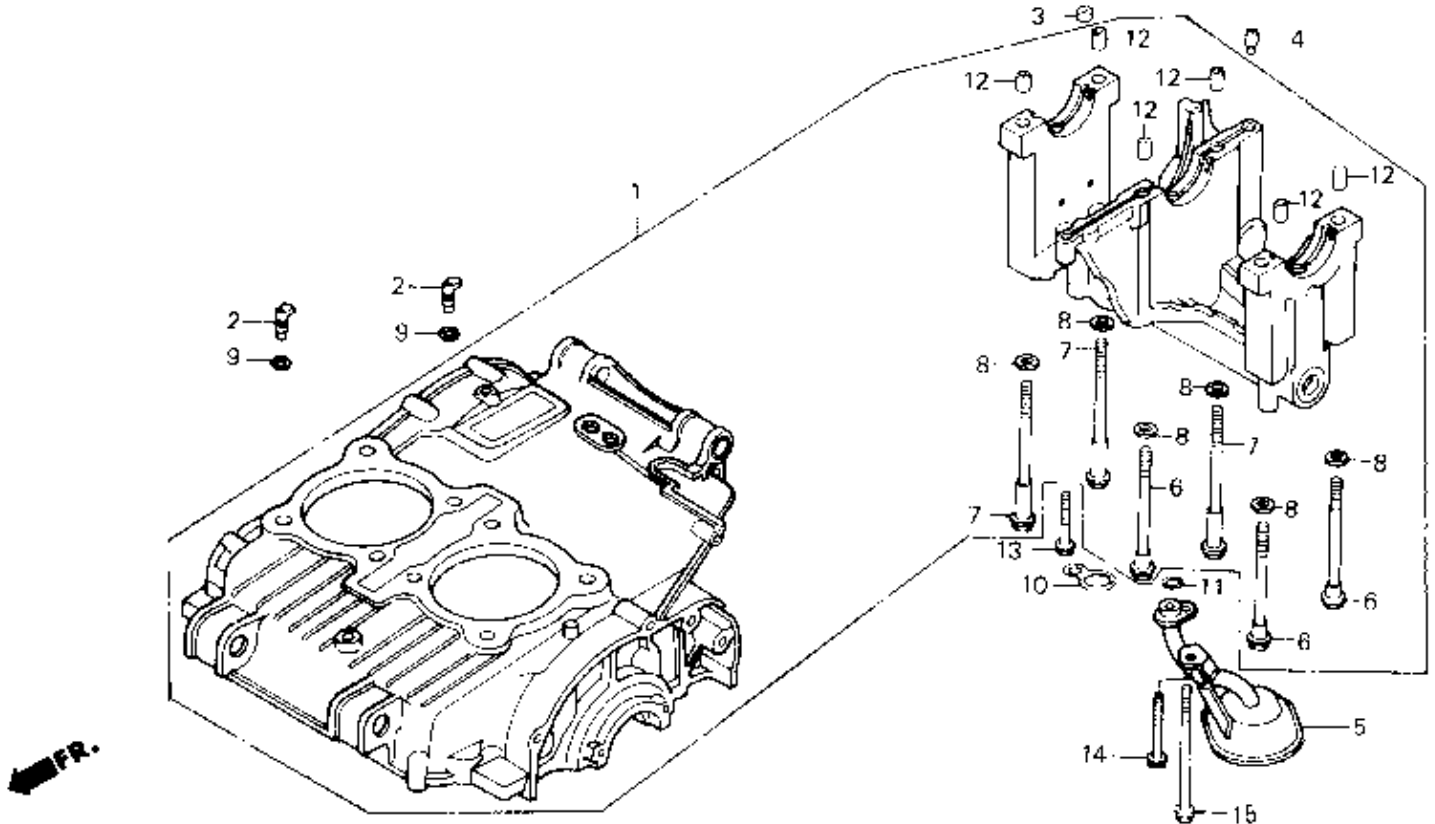
REF#	PART	#REQ	REMARKS	YOUR PRICE
01	MAINSHAFT (13T) 23211-ML4-610	001		\$76.55
02	COUNTERSHAFT 23220-MM2-670	001		\$142.23
03	GEAR (36T) 23421-ML4-610	001		\$78.02
04	COLLAR (25X28X10.8) 23422-ME9-000	001		\$13.23
05	BUSH (20MM) 23422-ML4-610	001		\$11.59
06	GEAR (19T) 23431-ML4-610	001		\$30.24
07	GEAR (22T/25T) 23451-ML4-610	001		\$85.18
08	GEAR (34T) 23461-ML4-610	001		\$68.18
09	COLR, SPLINE (25X9) 23462-MJ8-000	001		\$13.13
10	COLLAR (25MM) 23462-ML4-610	001		\$11.59
11	GEAR (32T) 23481-ML4-610	001		\$62.58
12	GEAR (27T) 23491-ML4-610	001		\$62.58
13	COLLAR (25MM) 23492-ML4-610	001		\$11.59
14	GEAR (29T) 23501-ML4-610	001		\$68.18
15	GEAR (30T) 23511-MM2-670	001		\$66.57

16	GEAR (26T) 23521-MM2-670	001	\$73.64
17	SPROCKET (17T) 23801-MM2-670	001	\$25.00
18	PLATE, FIXING 23811-MJ8-000	001	\$2.17
19	PIN 24261-283-000	001	\$2.32
20	WASHER A (32X1.9) 90408-ML4-610	001	\$2.35
20	WASHER B (30X1.7) 90409-ML4-610	001	\$2.35
20	WASHER C (28X1.45) 90410-ML4-610	001	\$2.35
21	WASHER (25MM) 90451-413-000	003	\$1.85
22	WASHER (20X1.00) 90454-428-000	002	\$1.55
23	WASHER (25MM) 90456-MA6-000	002	\$1.55
24	WASHER B (25MM) 90461-286-000	002	\$1.85
25	WASHER, LOCK (25MM) 90462-323-000	002	\$1.92
26	CIRCLIP (25MM) 90601-300-000	003	\$1.92
27	BEARING (6305) 91001-071-003	001	\$24.91
28	BEARING (20MM) 91022-MM2-670	001	\$16.94
29	BEARING (20MM) 91022-415-008	001	\$23.84
30	OIL SEAL (34X63X12) 91206-MC0-000	001	\$8.53
31	OIL SEAL (34X66) 91211-393-003	001	\$6.83
32	RING, SNAP (62MM) 94560-62200	001	\$1.37
33	BOLT, FLANGE (6X12) 95701-06012-00	002	\$0.57
33	BOLT, FLANGE (6X12) 95701-06012-00	002	\$0.57
34	ROLLER (4X10) 96220-40100	001	\$0.24



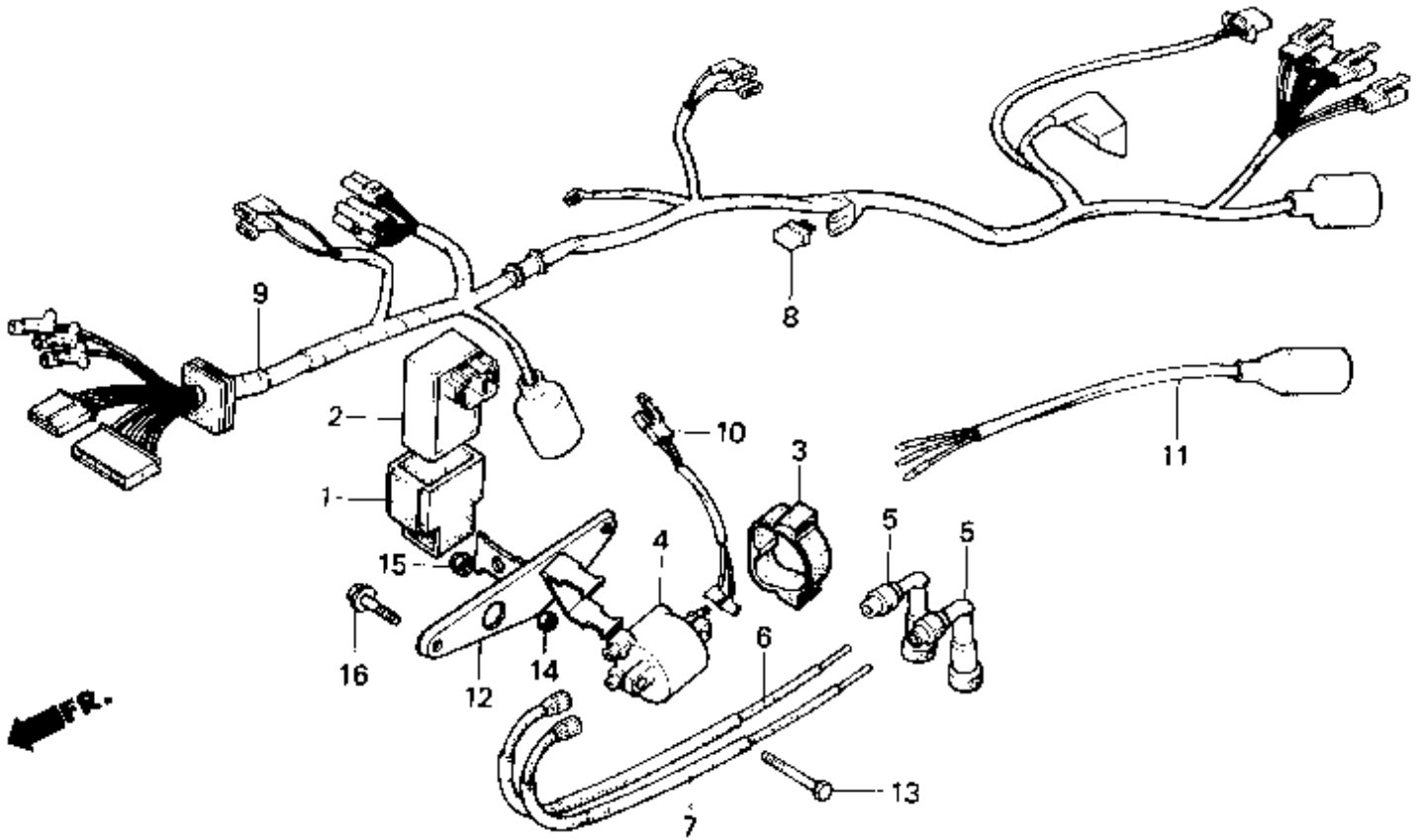
REF#	PART	#REQ	REMARKS	YOUR PRICE
01	TURN SIGNAL ASSY. 33400-MF5-405	001		\$41.06
01	TURN SIGNAL ASSY. 33400-MF5-405	001		\$41.06
02	BASE, TURN SIGNAL 33401-MB1-003	004		\$31.02
03	LENS, TURN SIGNAL 33402-MB1-003	004		\$7.18
04	REFLECTOR 33403-MB1-671	004		\$13.80
05	WIRE, R. FR. 33405-MM2-670	001		\$10.72
06	GASKET, LENS 33407-MB1-003	004		\$2.81
07	HOLDER 33408-MB1-003	004		\$2.00
08	TURN SIGNAL ASSY. 33400-MF5-405	001		\$41.06
08	TURN SIGNAL ASSY. 33400-MF5-405	001		\$41.06
09	WIRE, R. TURN SIGNAL 33405-MM2-405	001		\$10.74
09	WIRE, L. FR. 33455-MM2-670	001		\$10.74
10	TURN SIGNAL, R. RR. 33600-MK3-405	001		\$46.80
10	TURN SIGNAL, R. RR. 33600-MK3-405	001		\$46.80
10	TURN SIGNAL, R. RR. 33600-MK3-405	001		\$46.80
10	TURN SIGNAL, R. RR. 33600-MK3-405	001		\$46.80

11	SOCKET, TURN SIGNAL 33605-MK3-405	001	\$11.38
11	WIRE, R. RR. 33605-MM2-000	001	\$11.38
12	STAY, R. FR. 33640-MM2-671	001	\$12.95
13	STAY, L. FR. 33641-MM2-671	001	\$14.07
14	TURN SIGNAL, R. RR. 33600-MK3-405	001	\$46.80
14	TURN SIGNAL, R. RR. 33600-MK3-405	001	\$46.80
15	SOCKET, TURN SIGNAL 33605-MK3-405	001	\$11.38
15	WIRE, L. RR. 33655-MM2-000	001	\$11.38
16	STAY, RR. 33690-KR3-672	002	\$25.26
17	BULB (12V23W32CP) 34905-268-671	002	\$1.40
18	BULB (12V23/8W) 34906-313-671	002	\$3.04
19	HOLDER, FR. 53130-MM2-003	002	\$13.27
20	CAP, FR. 53131-MM2-000	002	\$10.67
21	BOLT, SOCKET (6X15) 90071-ME9-000	002	\$1.85
22	SCREW, SPECIAL (6X8) 90380-MB1-000	004	\$2.60
23	SCREW-WASHER (5X20) 93892-05020-00	004	\$0.46
24	SCREW, TAP (4X12) 93901-34320	008	\$0.36
25	SCREW, TAP (4X25) 93901-34610	012	\$0.15
26	NUT, FLANGE (8MM) 94050-08000	002	\$0.53



REF#	PART	#REQ	REMARKS	YOUR PRICE
01	CRANKCASE SET 11000-MM2-670	001		\$615.52
02	JET, OIL 11146-MC0-000	002		\$5.66
03	ORIFICE (2MM) 11901-413-000	001		\$3.00
04	ORIFICE, OIL CONTROL 12902-413-000	001		\$5.40
05	STRAINER, OIL 15141-ML4-610	001		\$28.73
06	BOLT, FLANGE (10X97) 90002-ML4-610	003		\$5.61
07	BOLT, FLG (10X124) 90009-ML4-610	003		\$6.94
08	WASHER (21X11X2.3) 90438-634-000	006		\$3.08
09	O-RING (3.6X1.4) 91301-MC0-000	002		\$0.80
10	O-RING (24X1.5) 91307-413-005	001		\$1.46
11	O-RING (17.0X2.5) 91333-KE5-003	001		\$1.27
11	O-RING (17.0X2.5) 91333-KE5-003	001		\$1.27
12	PIN, DOWEL (12X20) 94301-12200	006		\$0.95
13	BOLT, FLANGE (6X32) 95701-06032-00	001		\$0.64

13	BOLT, FLANGE (6X32) 95701-06032-00	001	\$0.64
14	BOLT, FLANGE (6X45) 95701-06045-07	001	\$0.78
14	BOLT, FLANGE (6X45) 95701-06045-07	001	\$0.78
14	BOLT, FLANGE (6X45) 95701-06045-07	001	\$0.78
15	BOLT, FLANGE (6X115) 95700-06115-00	001	\$1.41
15	BOLT, FLANGE (6X115) 95701-06115-00	001	\$1.44



REF#	PART	#REQ	REMARKS	YOUR PRICE
01	CUSHION 30401-KB4-000	001		\$3.15
02	MODULE, IGN CONT 30410-MM2-010	001		\$85.79
03	SUSPENSION 30506-ML4-003	001		\$3.33
04	COIL, IGNITION 30510-ML4-023	001		\$54.91
05	CAP ASSY. 30700-KR3-670	002		\$9.86
05	CAP ASSY. 30700-MM2-000	002		\$9.86
06	CORD COMP.H/T 30750-MM2-P00	001		\$12.50
06	CORD COMP.H/T 30750-MM2-P00	001		\$12.50
07	CORD COMP.H/T 30750-MM2-P00	001		\$12.50
07	CORD COMP.H/T 30750-MM2-P00	001		\$12.50
08	RECTIFIER, SILICON 31700-124-003	001		\$13.41
08	RECTIFIER, SILICON 31700-124-003	001		\$13.41
09	WIRE HARNESS 32100-MM2-770	001		\$144.09
11	SUB-CABLE, TAILLIGHT 32101-MM2-000	001		\$12.61

	32101-MM2-000		
12	PLATE, ELECTRIC 50352-MM2-010	001	\$9.70
15	NUT, CAP (5MM) 94021-05000-0S	002	\$0.48
16	BOLT, FLANGE (6X12) 95701-06012-07	002	\$0.50
16	BOLT, FLANGE (6X12) 95701-06012-07	002	\$0.50