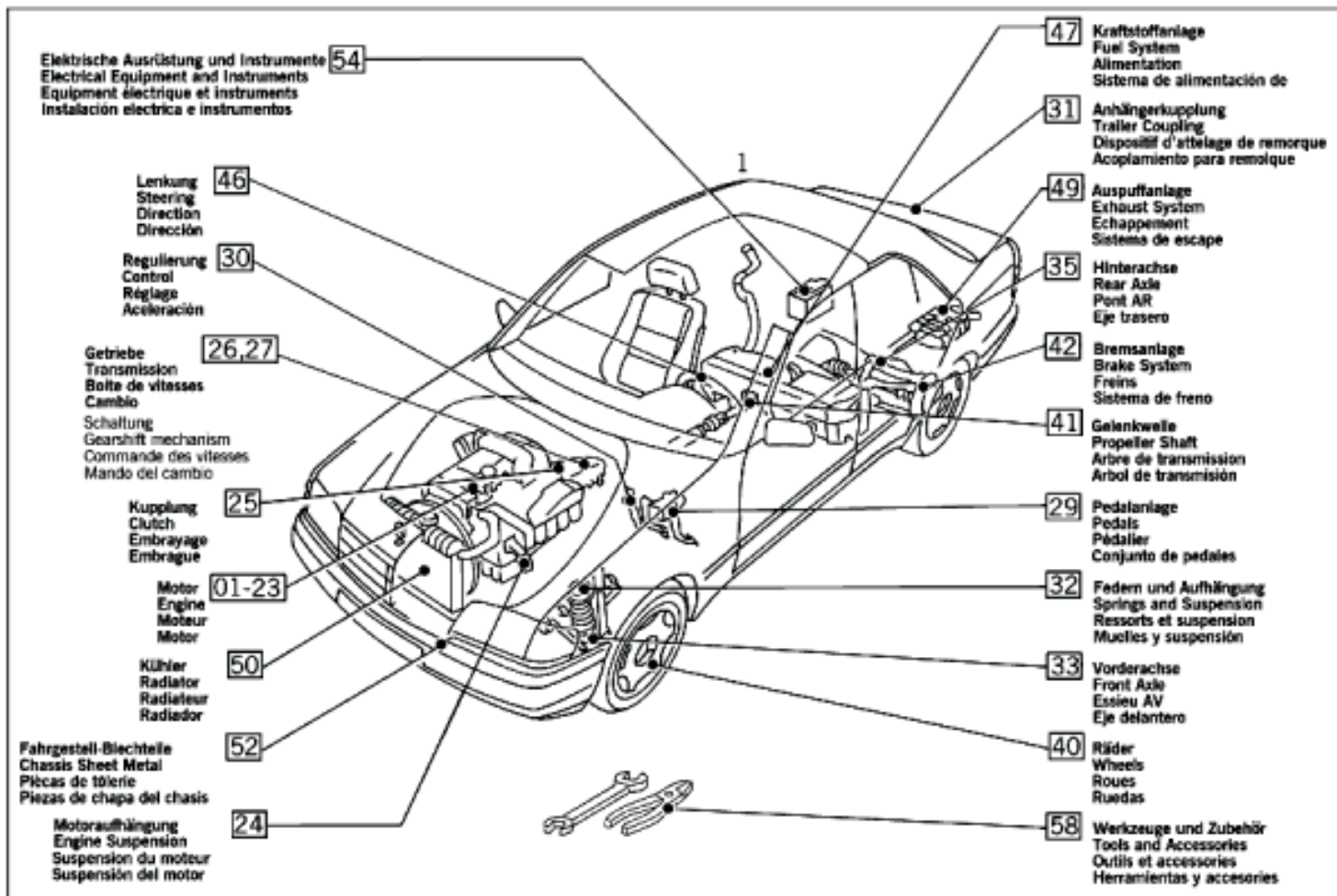
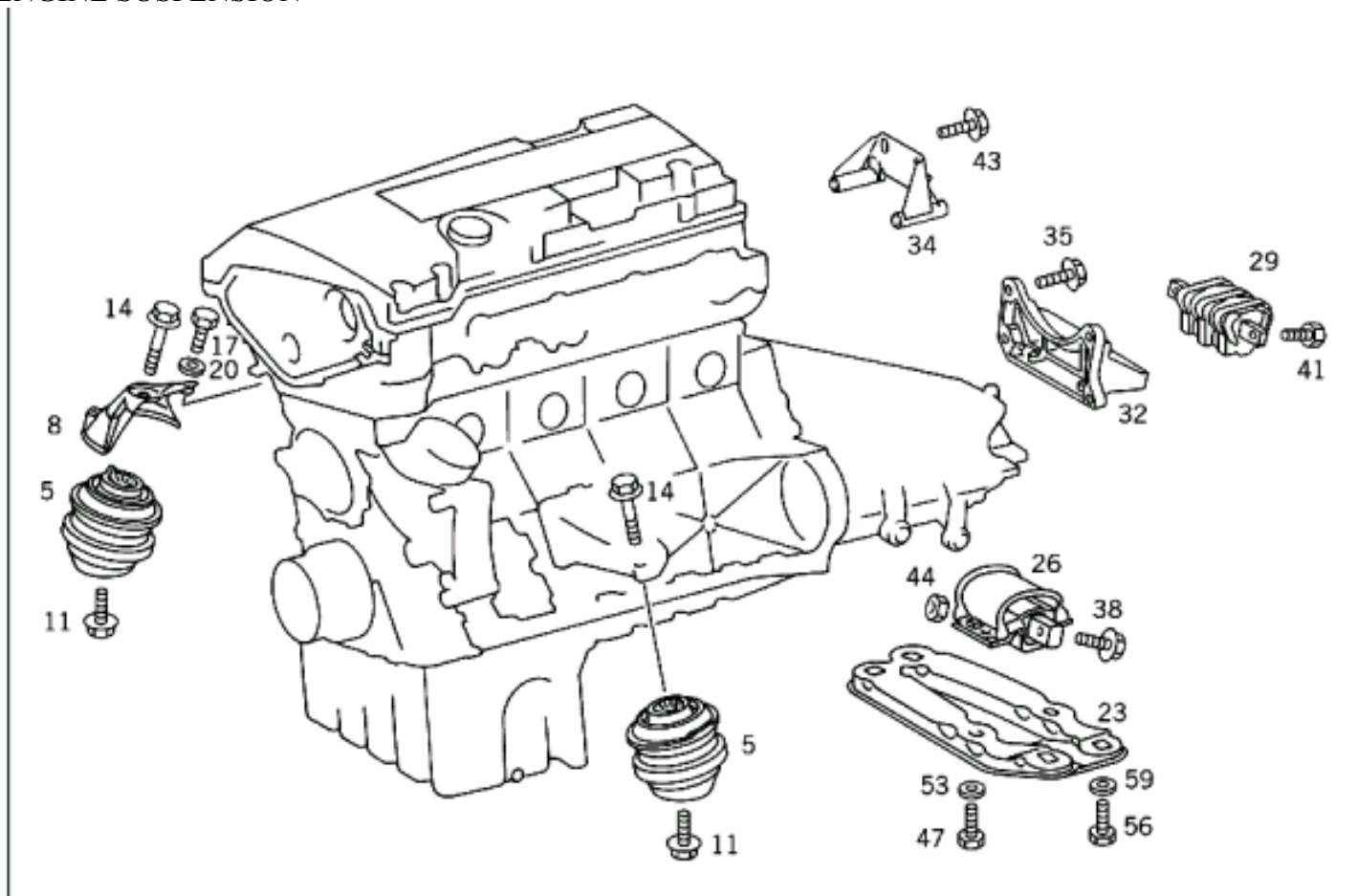


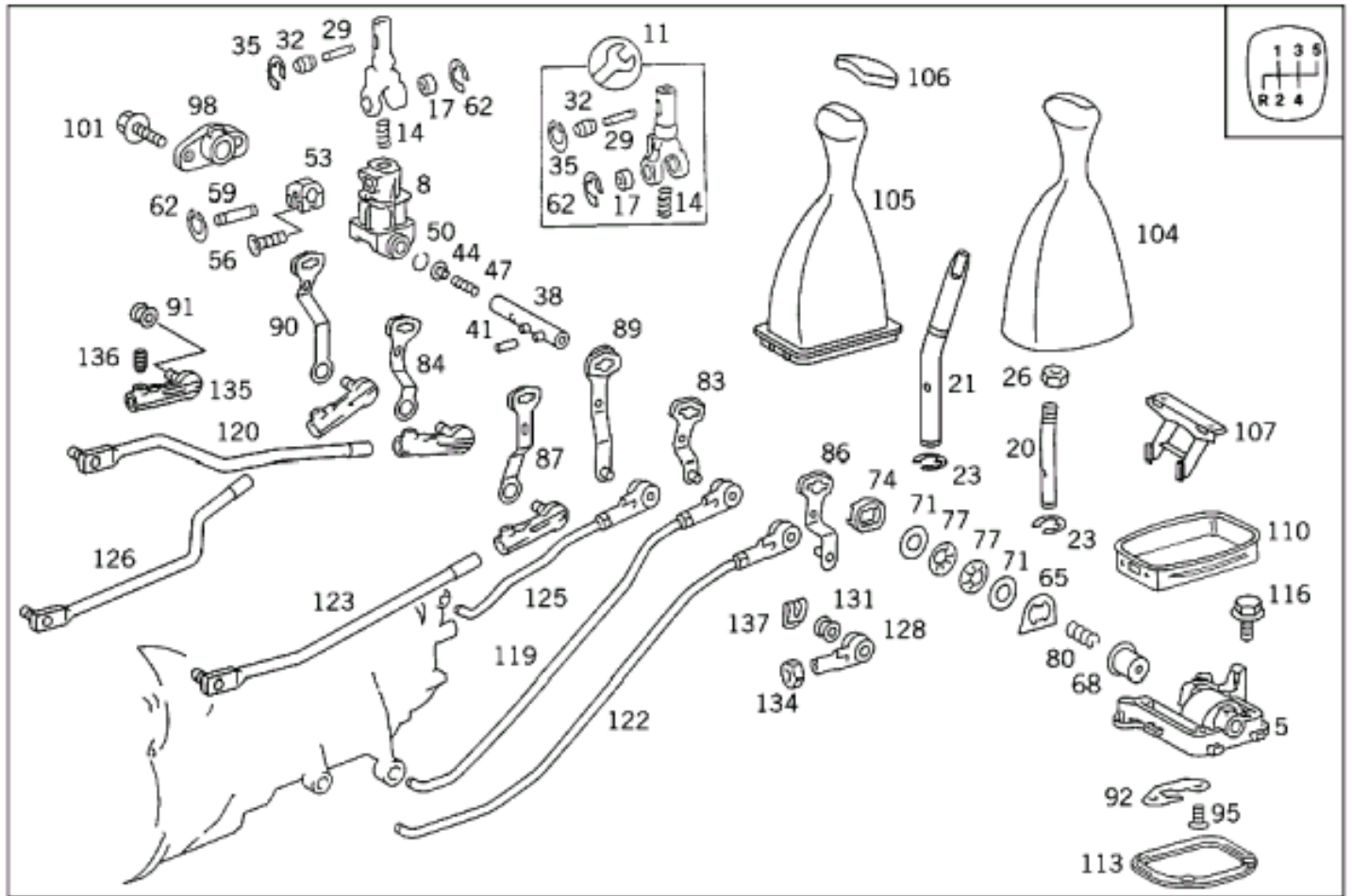
# MICROFICHES MERCEDES CLASSE C W202



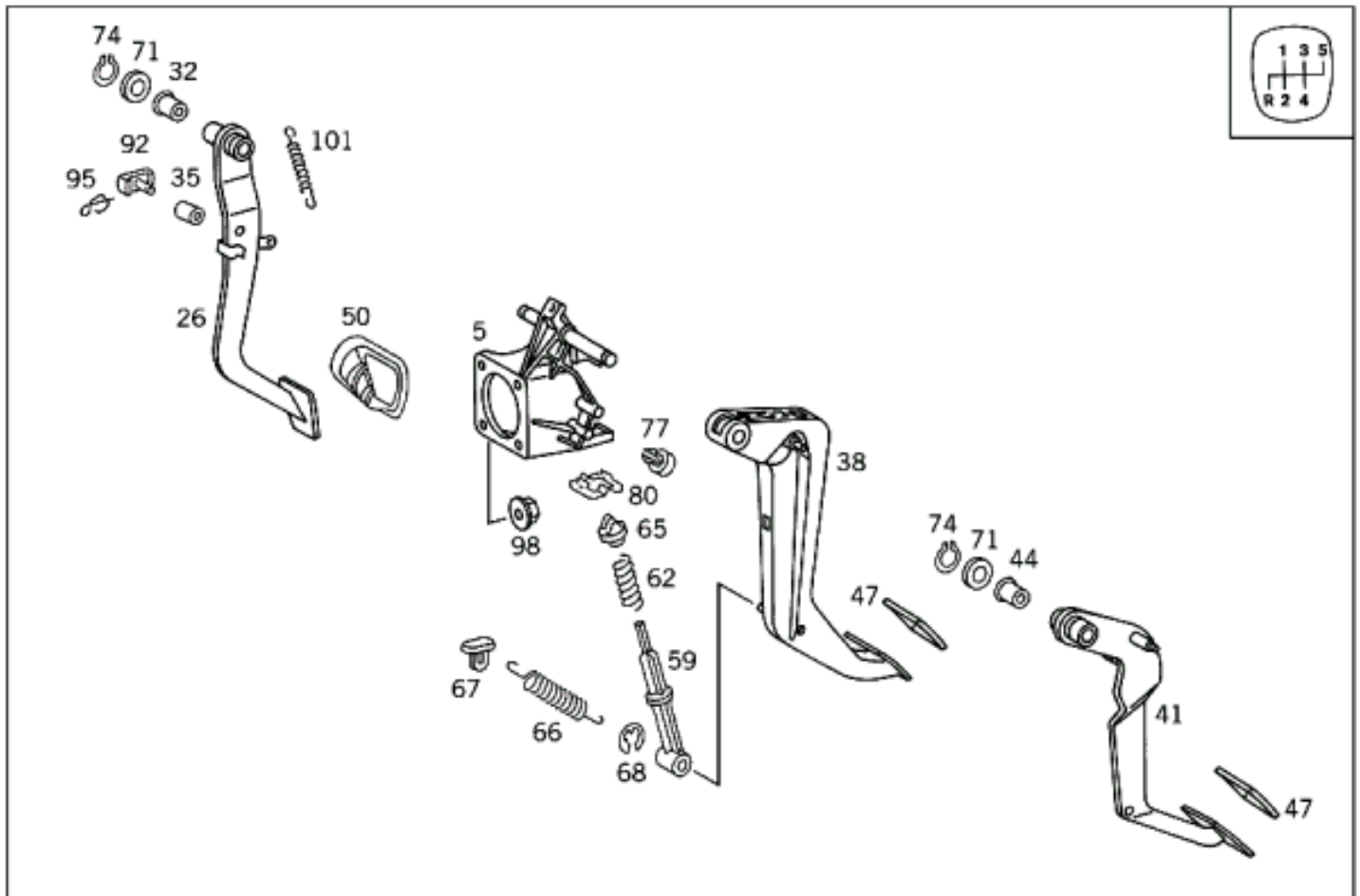
## ENGINE SUSPENSION



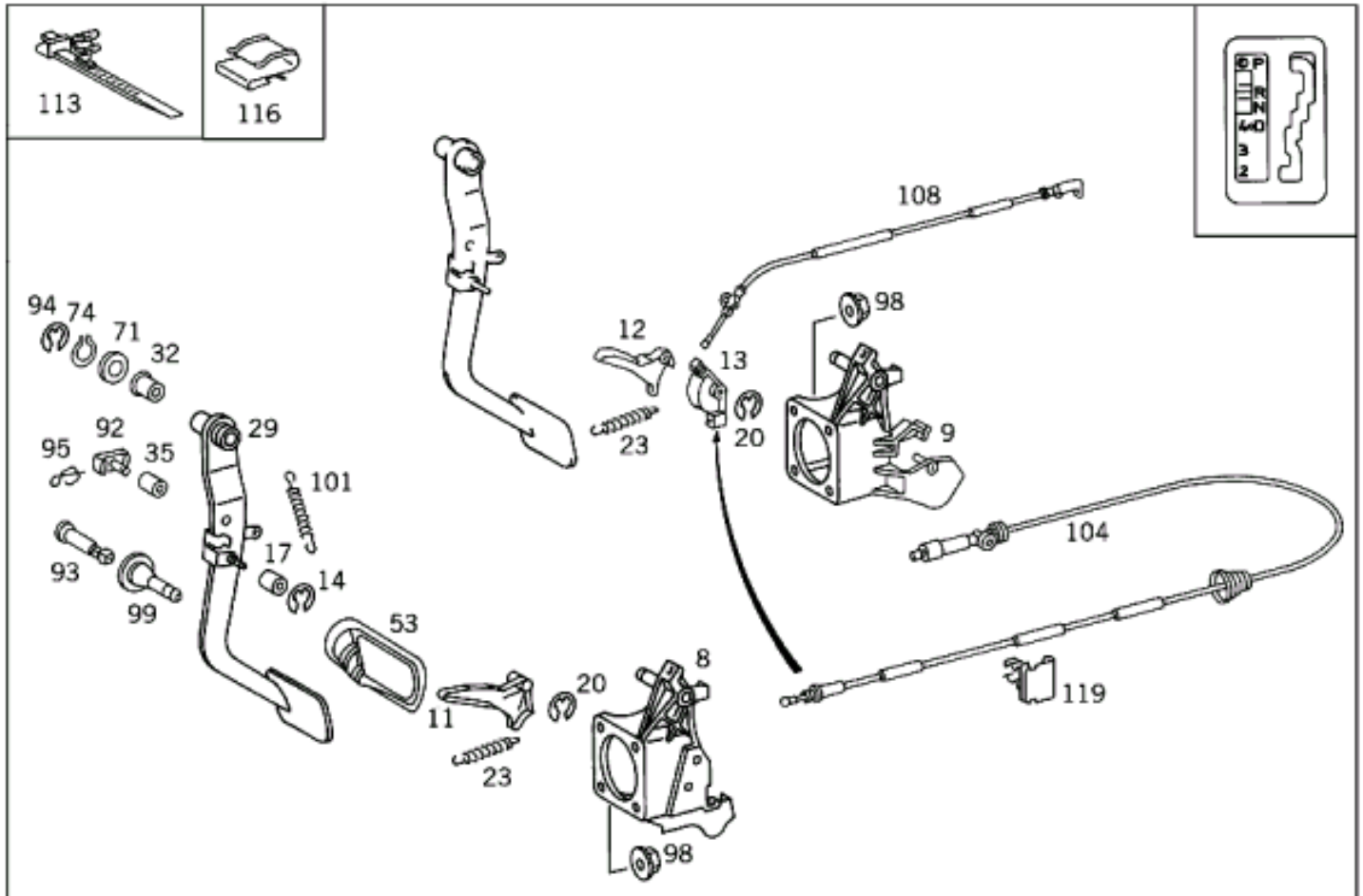
FLOOR SHIFT WITH MANUAL FIVE SPEED TRANSMISSION



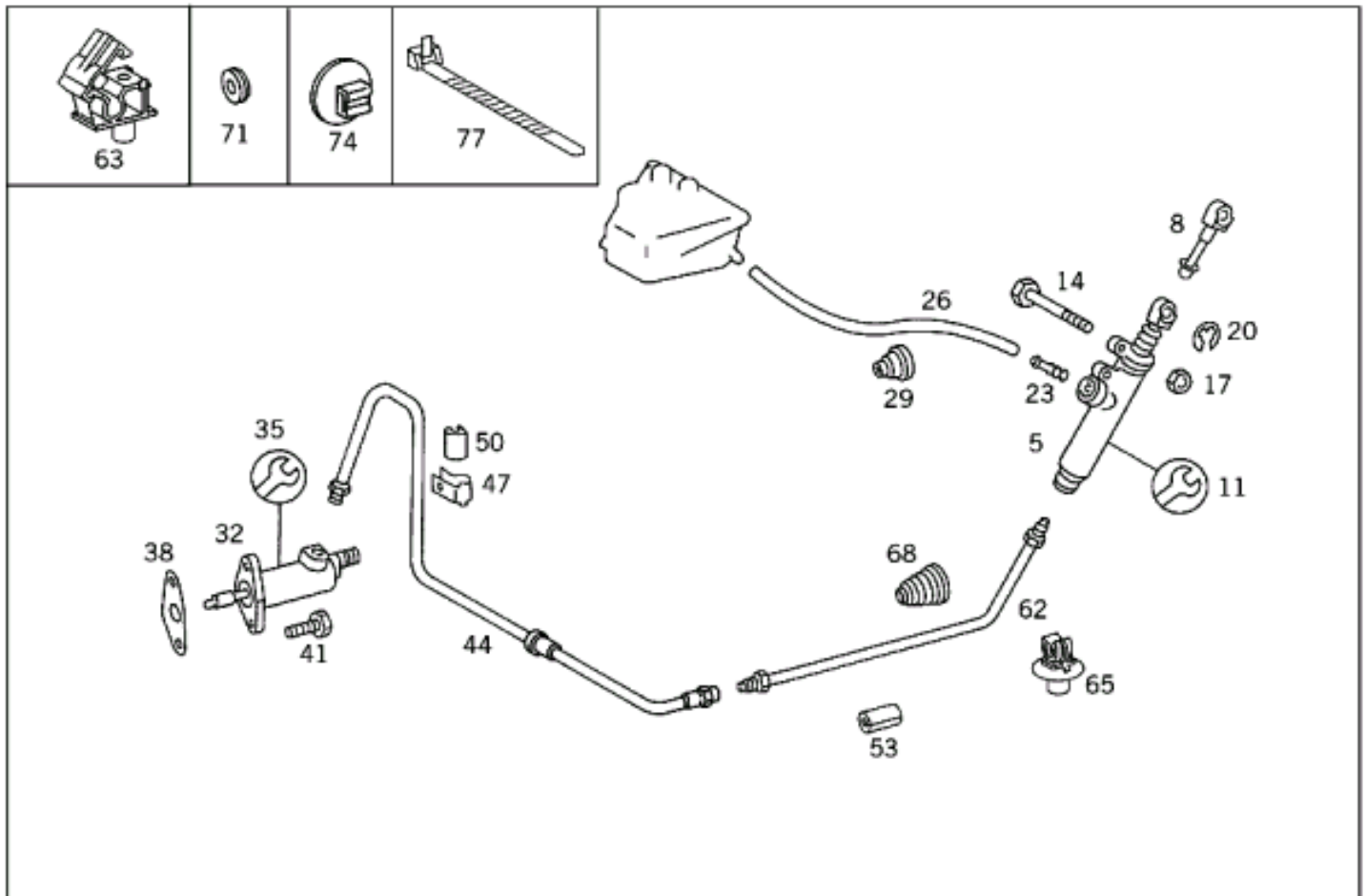
PEDAL ASSEMBLY WITH BEARINGS



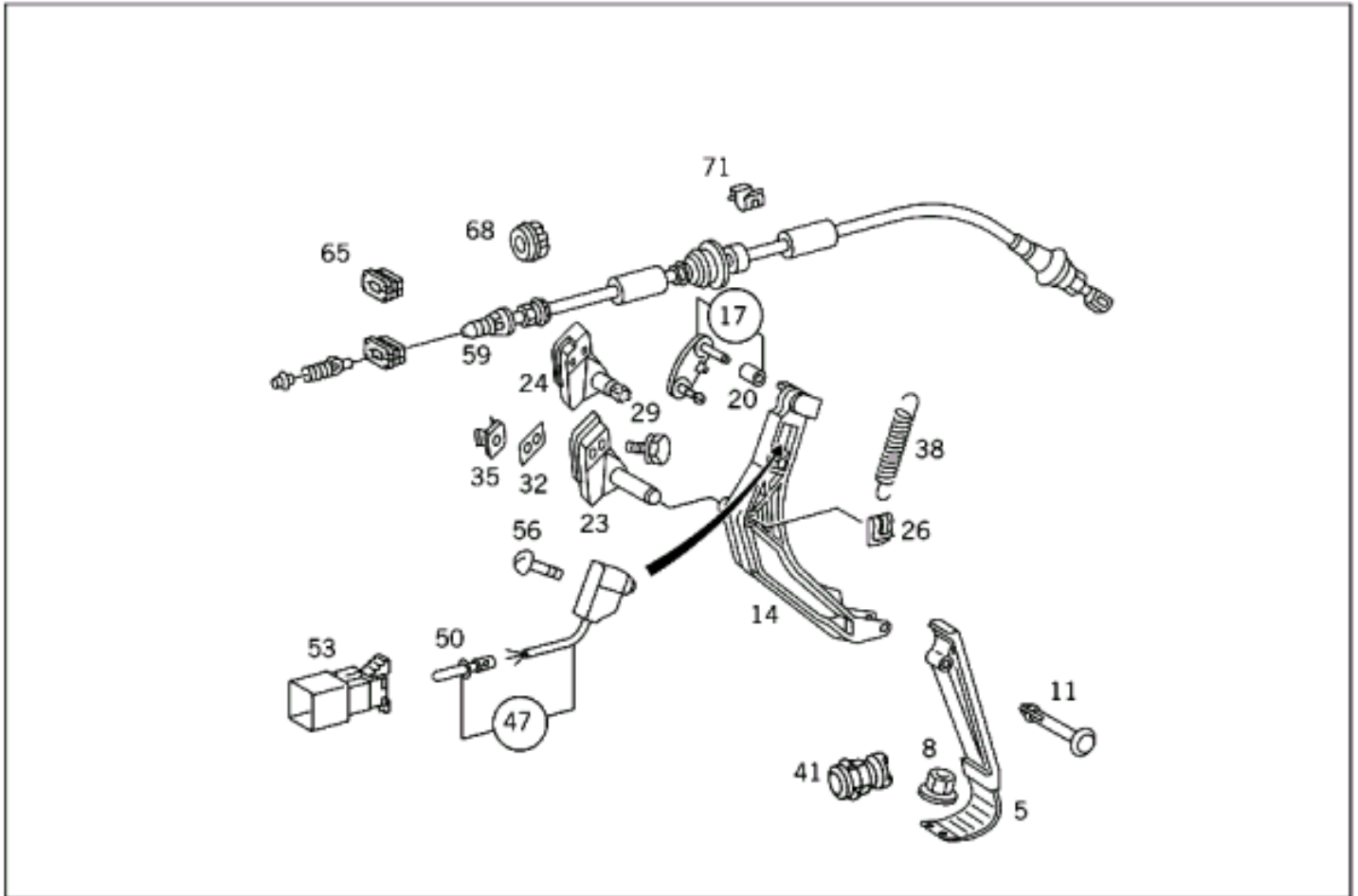
PEDAL ASSEMBLY WITH BEARINGS



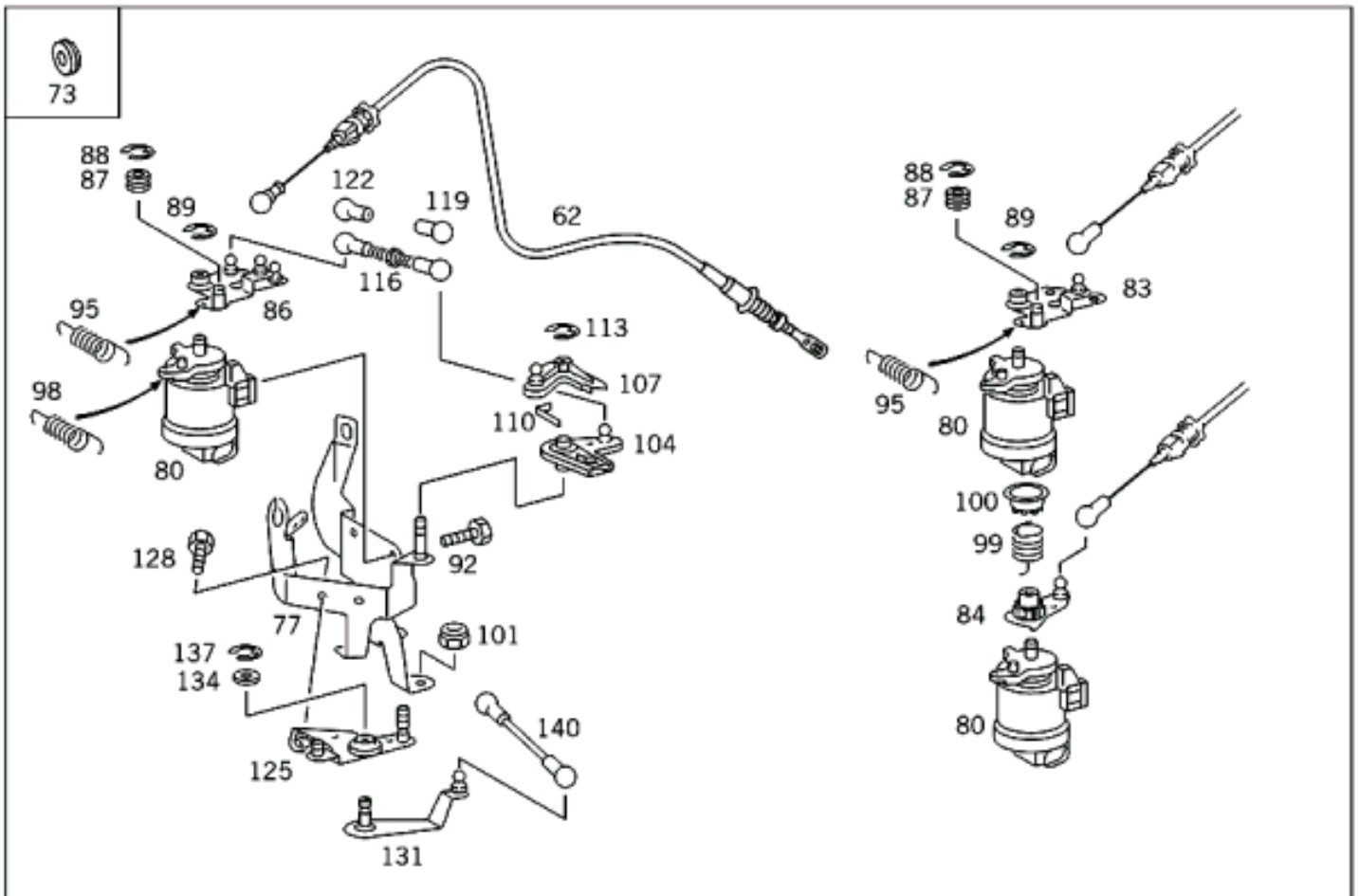
PEDAL ASSEMBLY HYDRAULICS



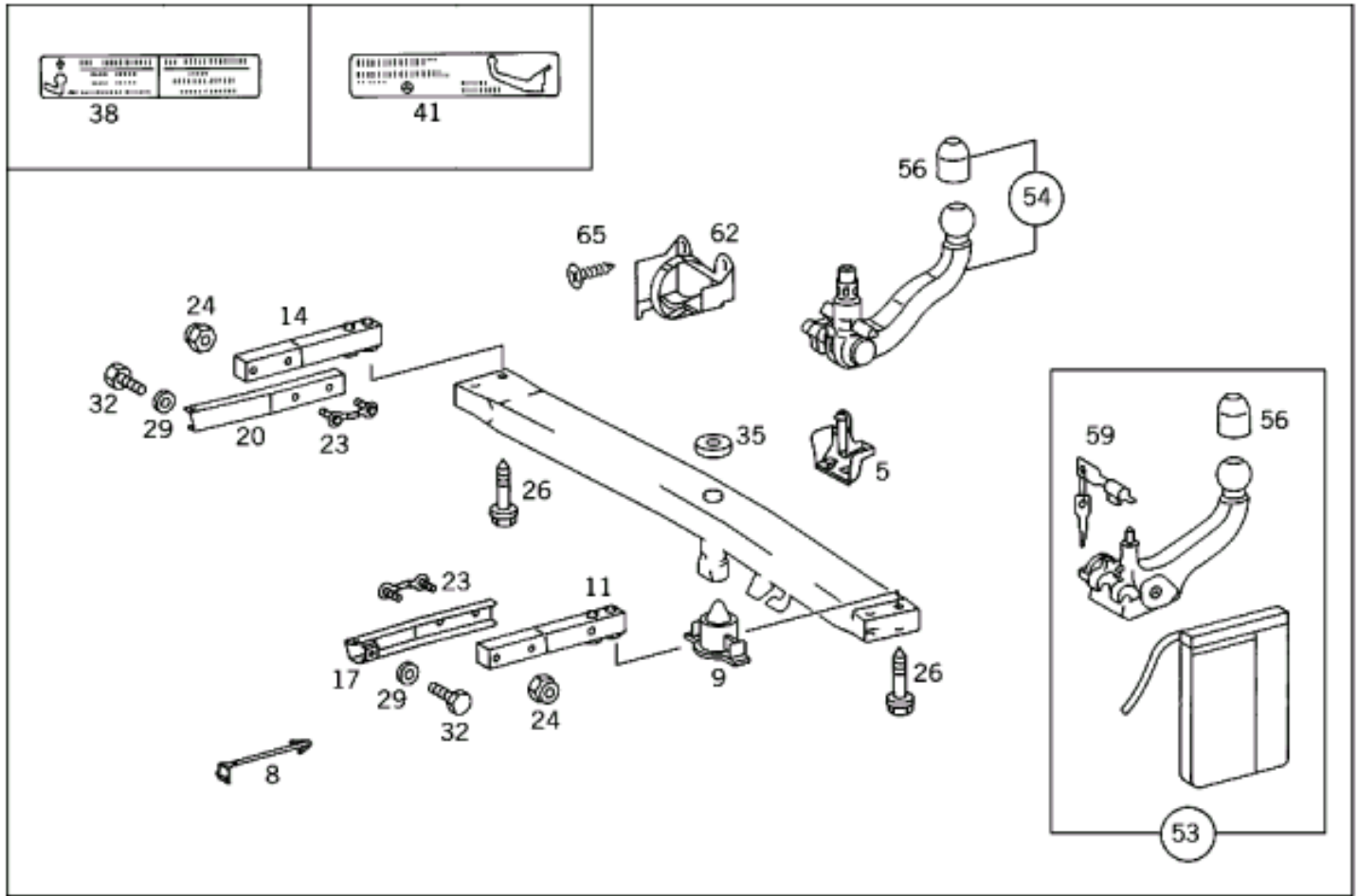
# CONTROL



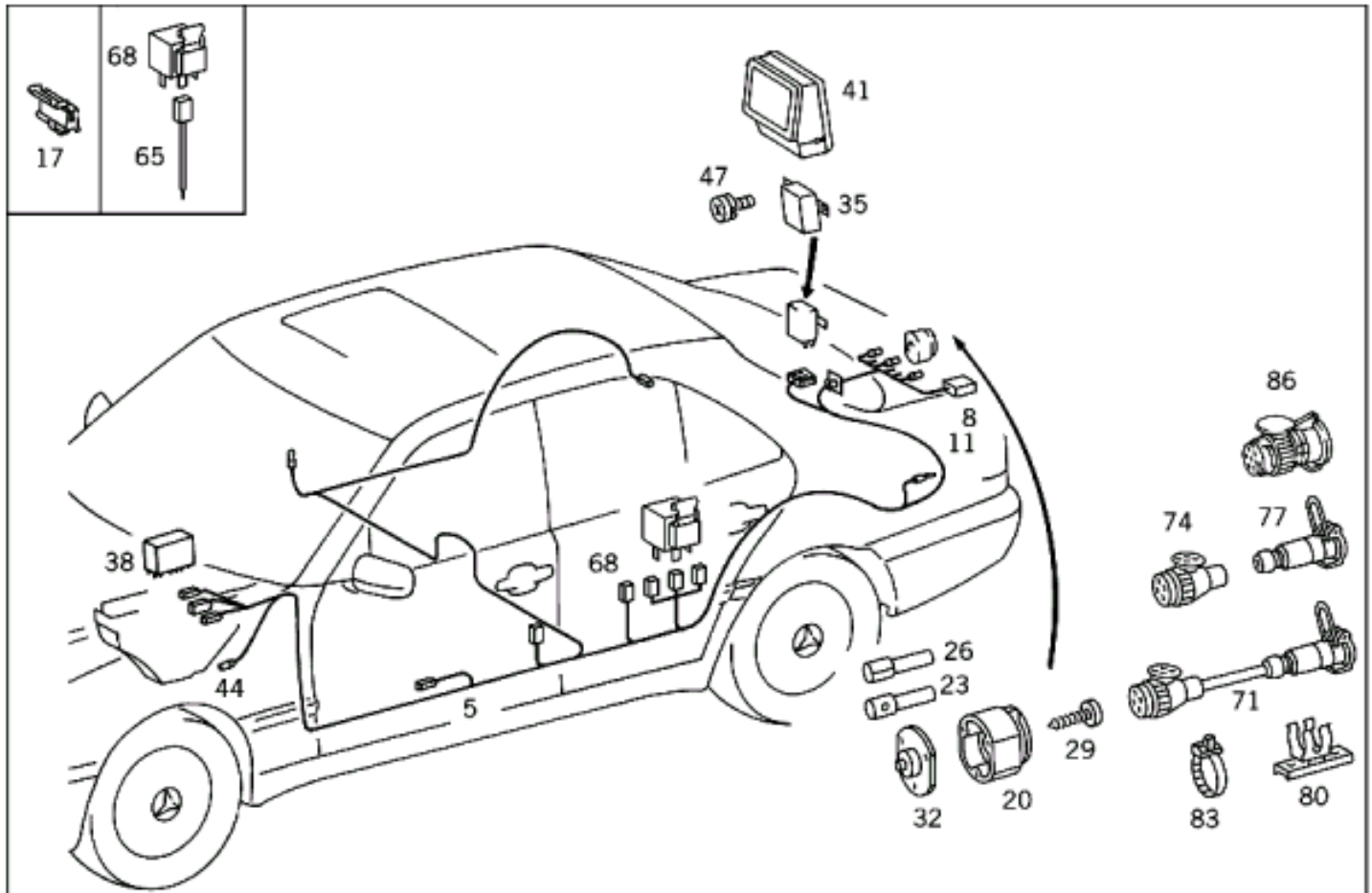
# CONTROL



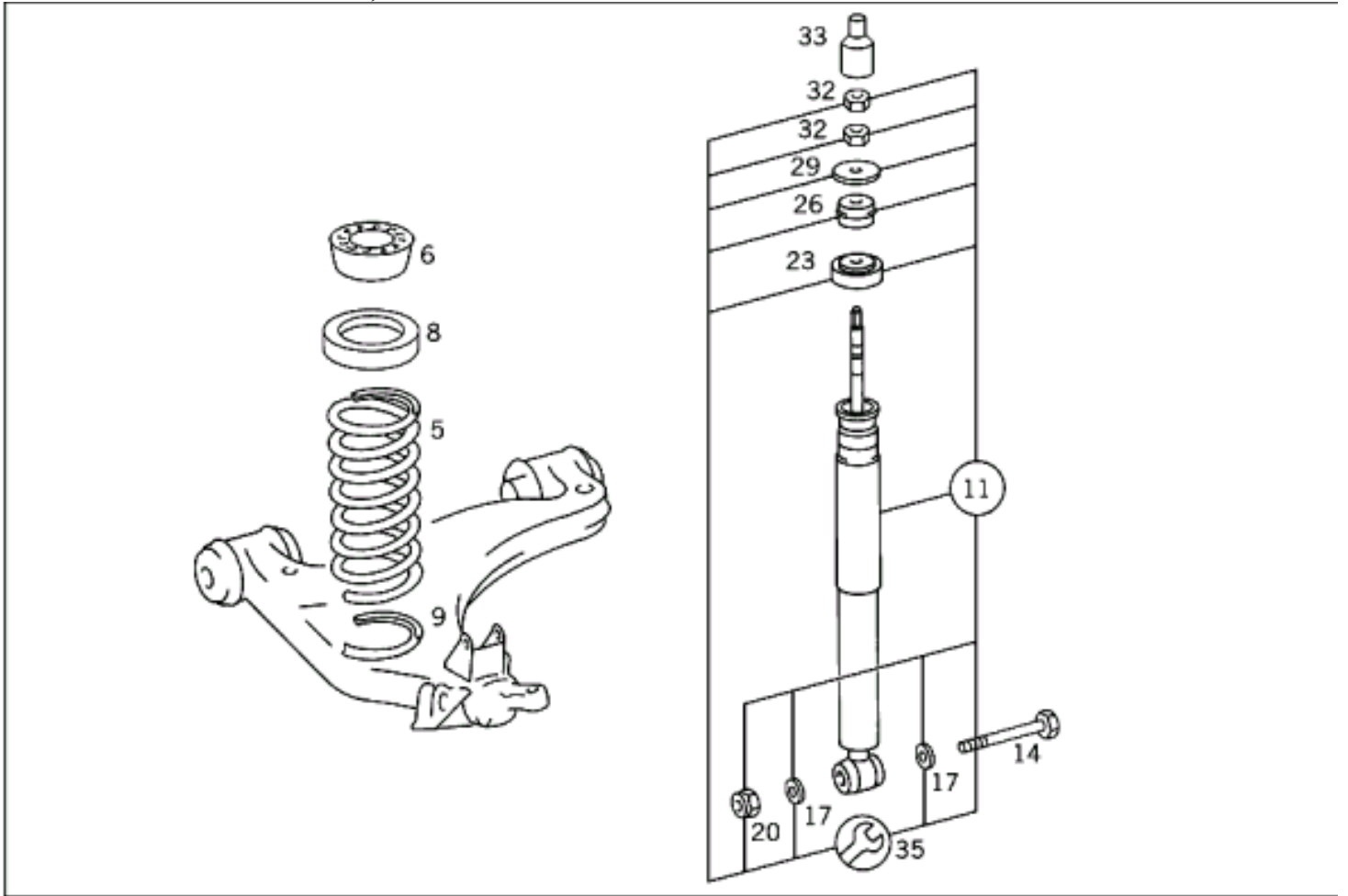
# TRAILER COUPLING



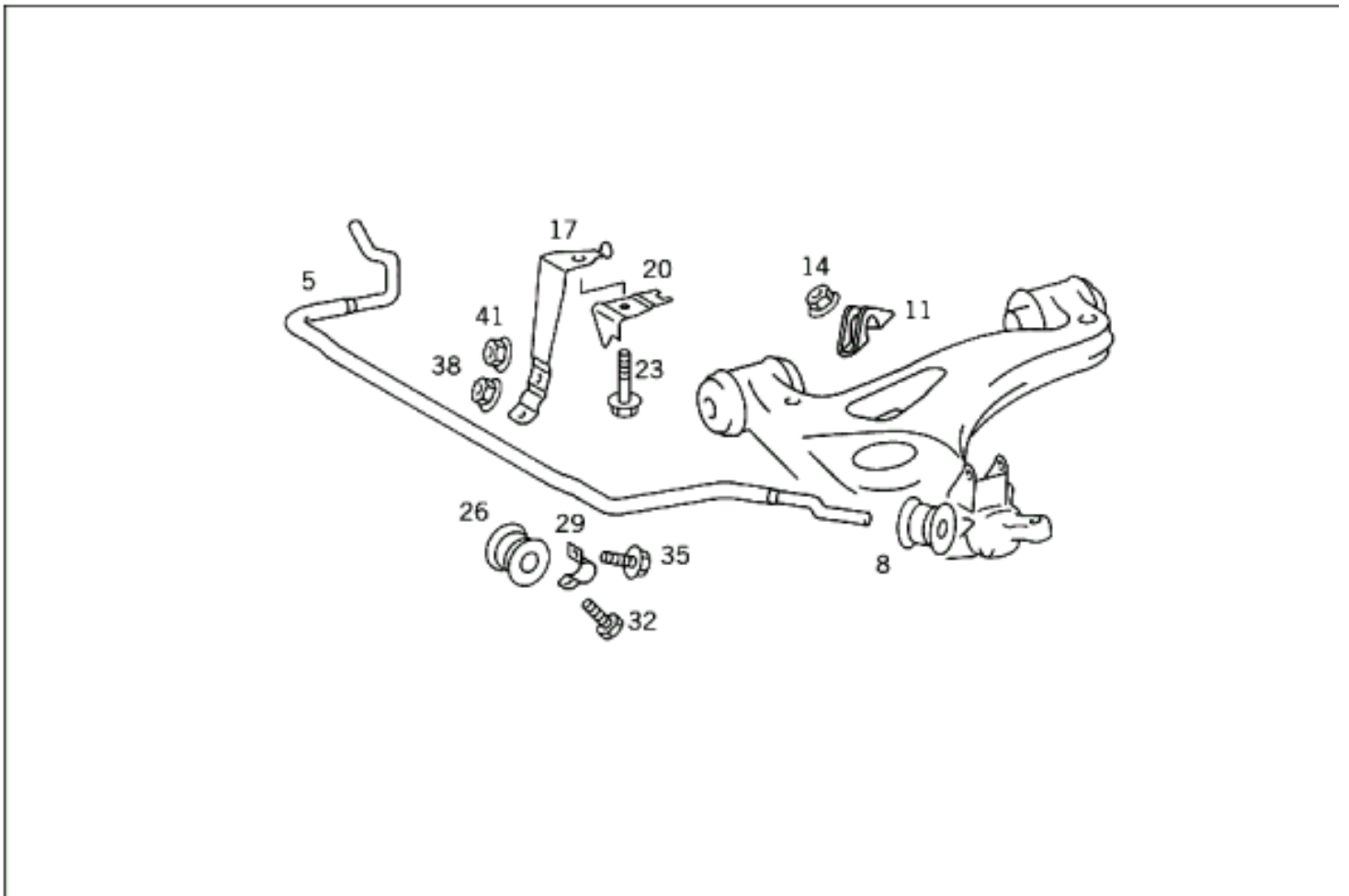
# ELETTRICAL PART FOR TRAILER COUPLING



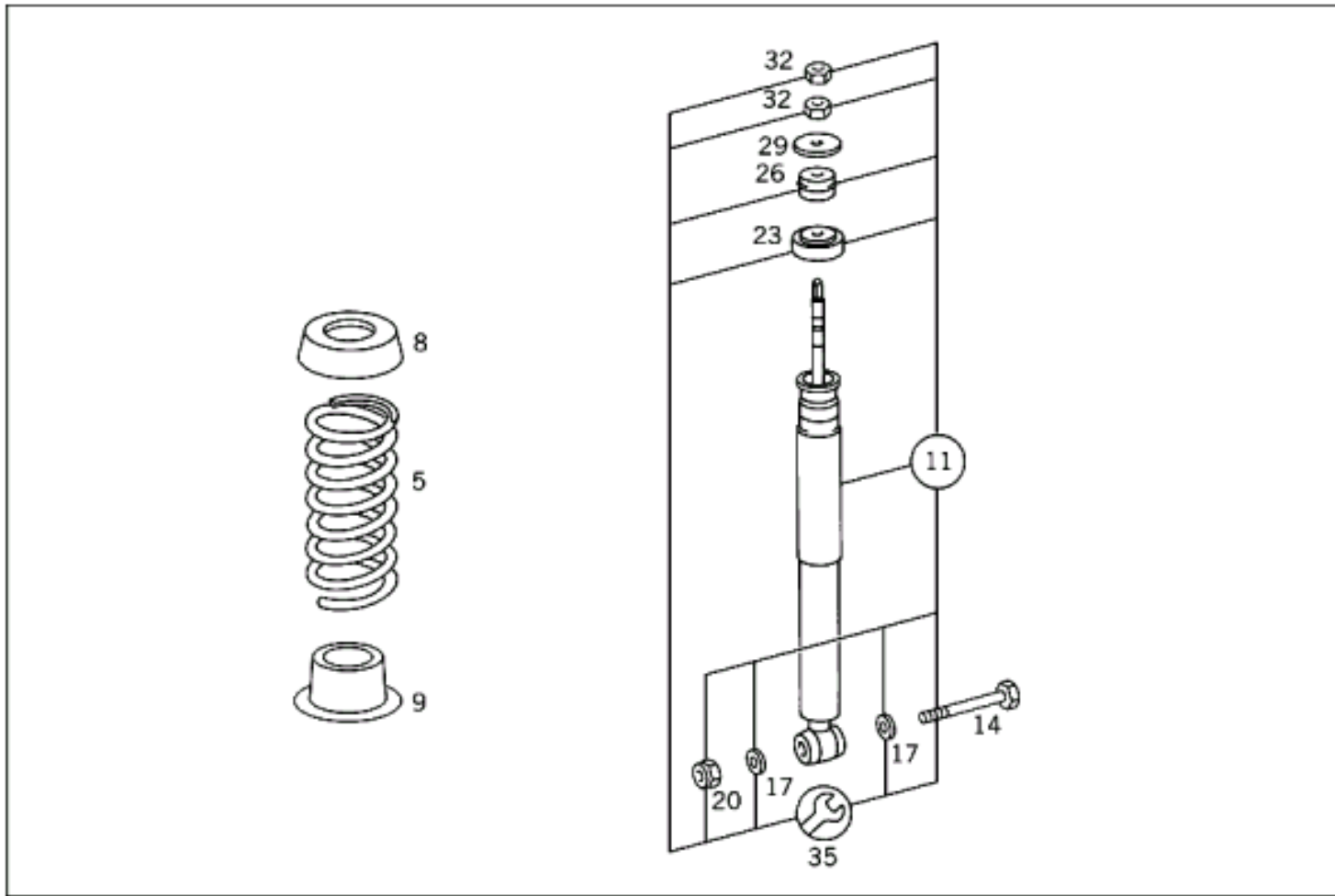
# SPRINGS AND SUSPENSION, FRONT



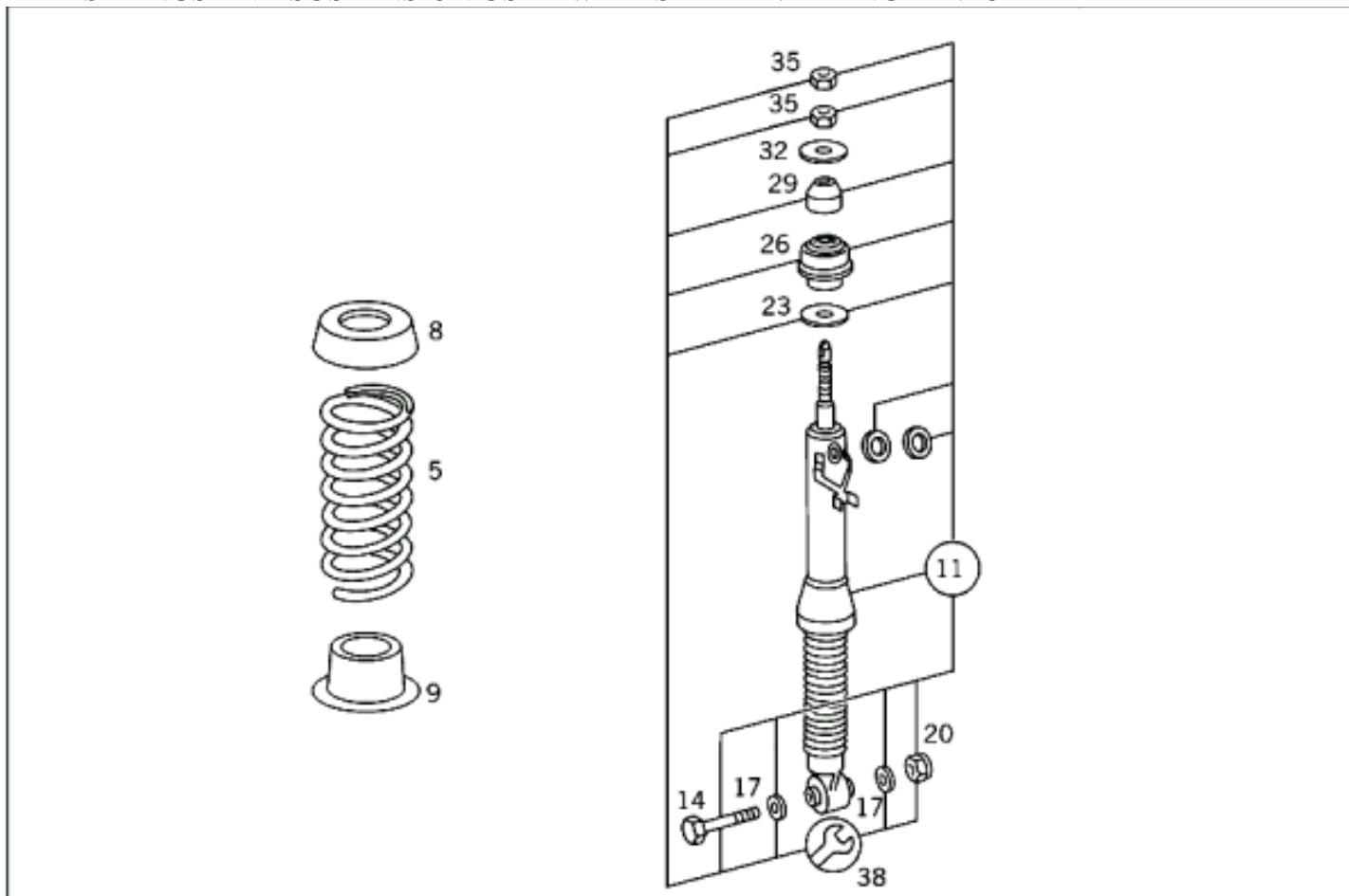
# TORSION BAR, FRONT



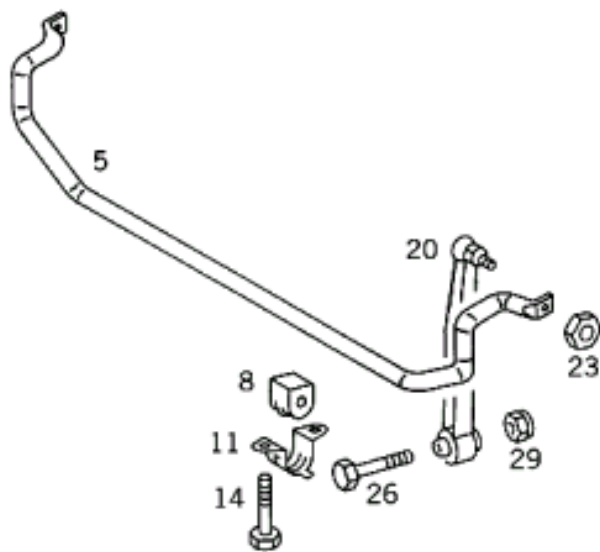
# REAR SPRINGS AND SUSPENSION – STANDARD SUSPENSION



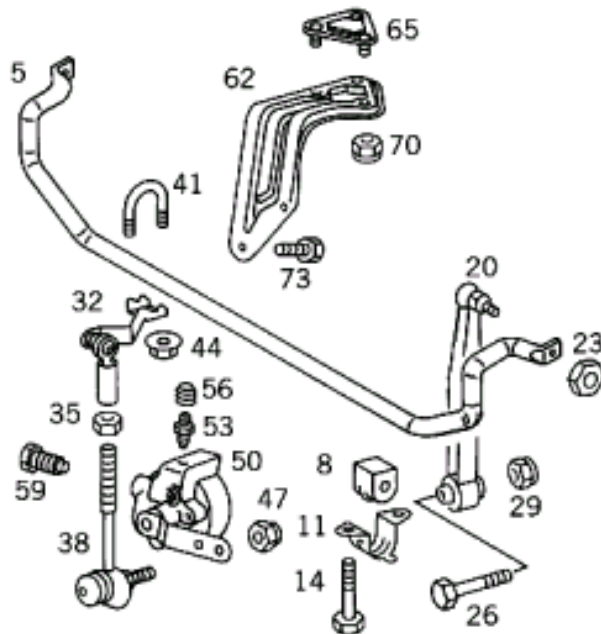
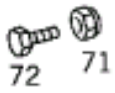
# REAR SPRINGS AND SUSPENSION USED WITH SELF LEVELLING DEVICE



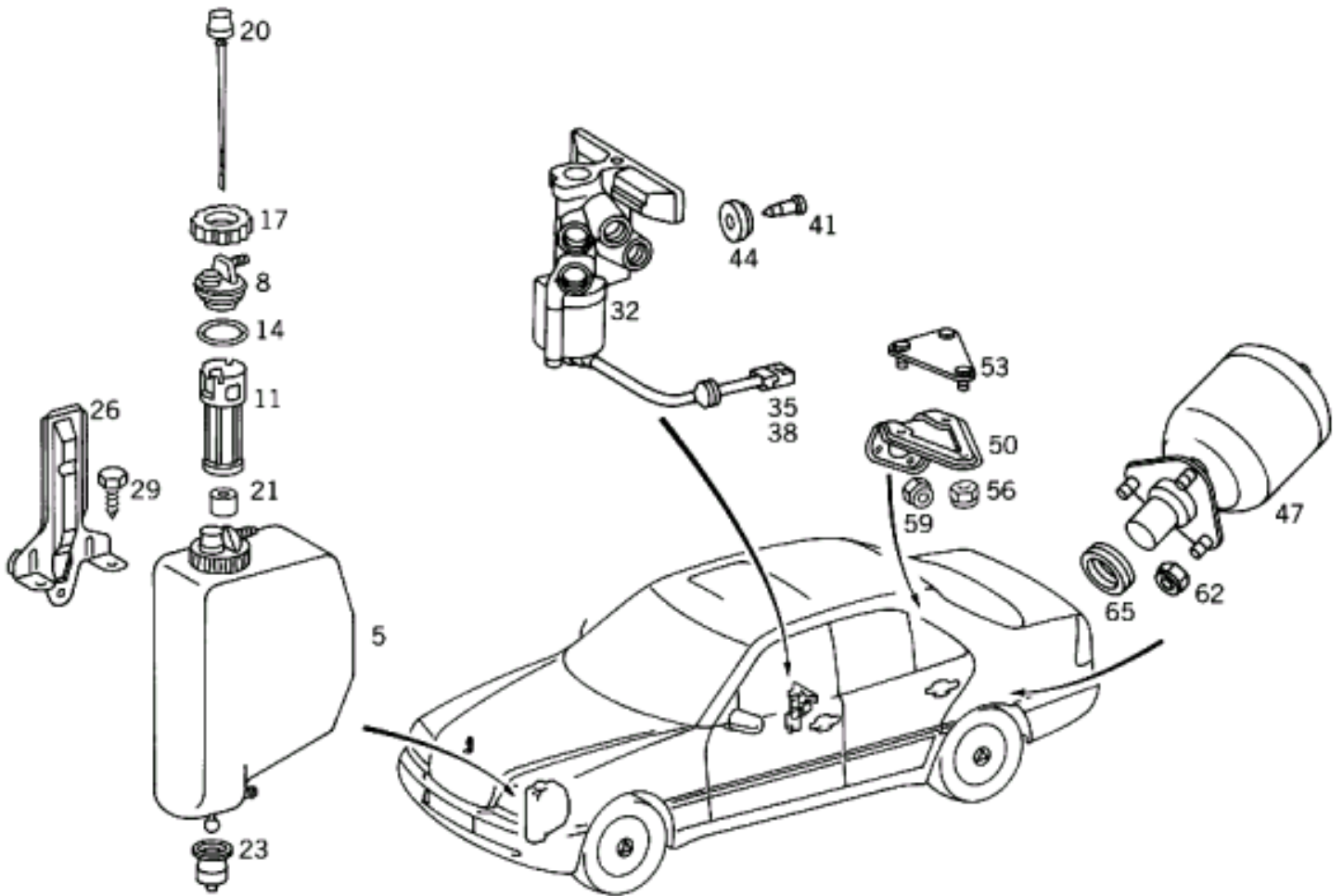
# REAR TORSION BAS – STANDARD SPRING SUSPENSION



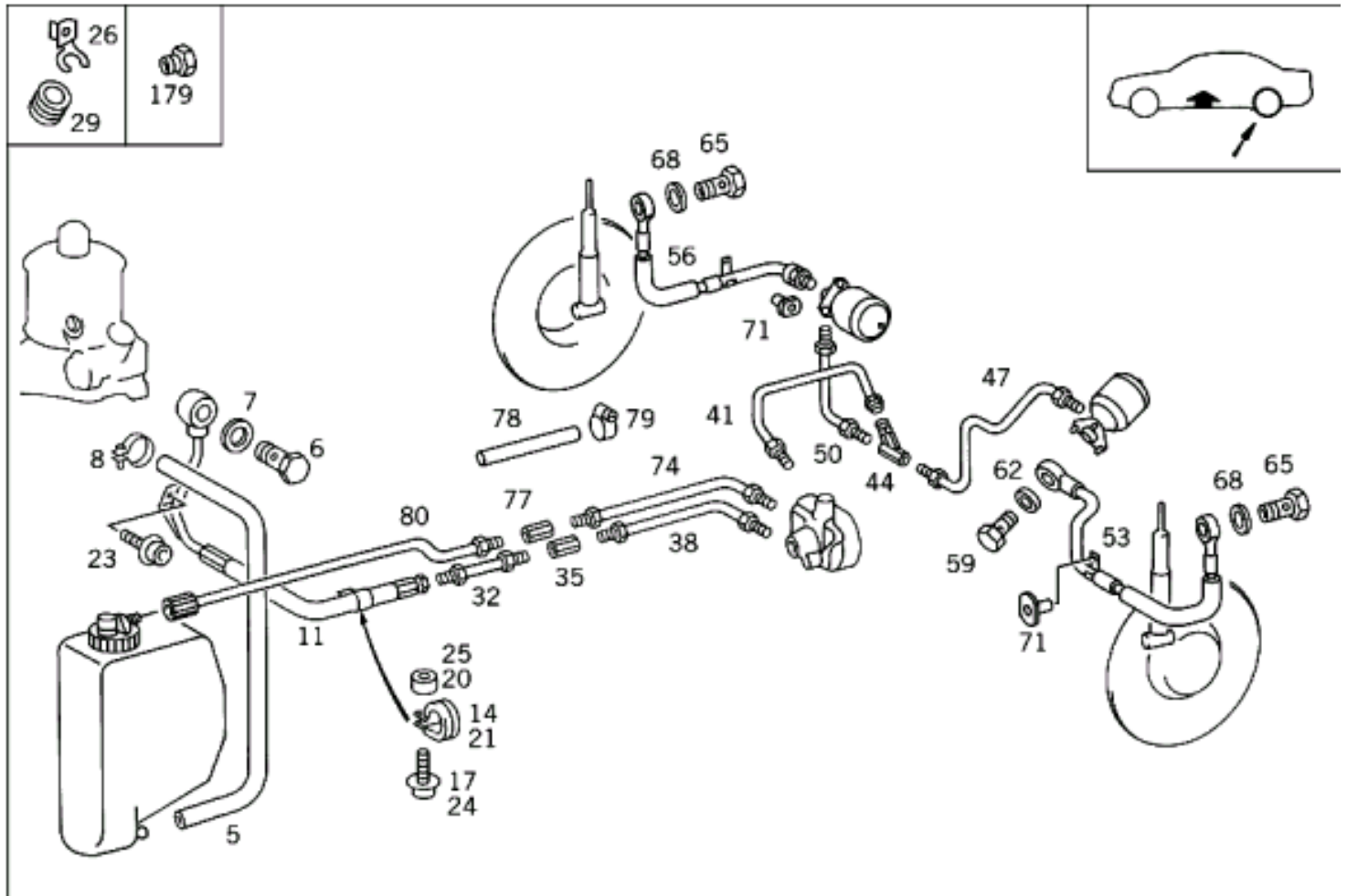
# REAR TORSION BAR AND HEIGHT CONTROL VALVE USED WITH SELF-LEVELLING DEVICE



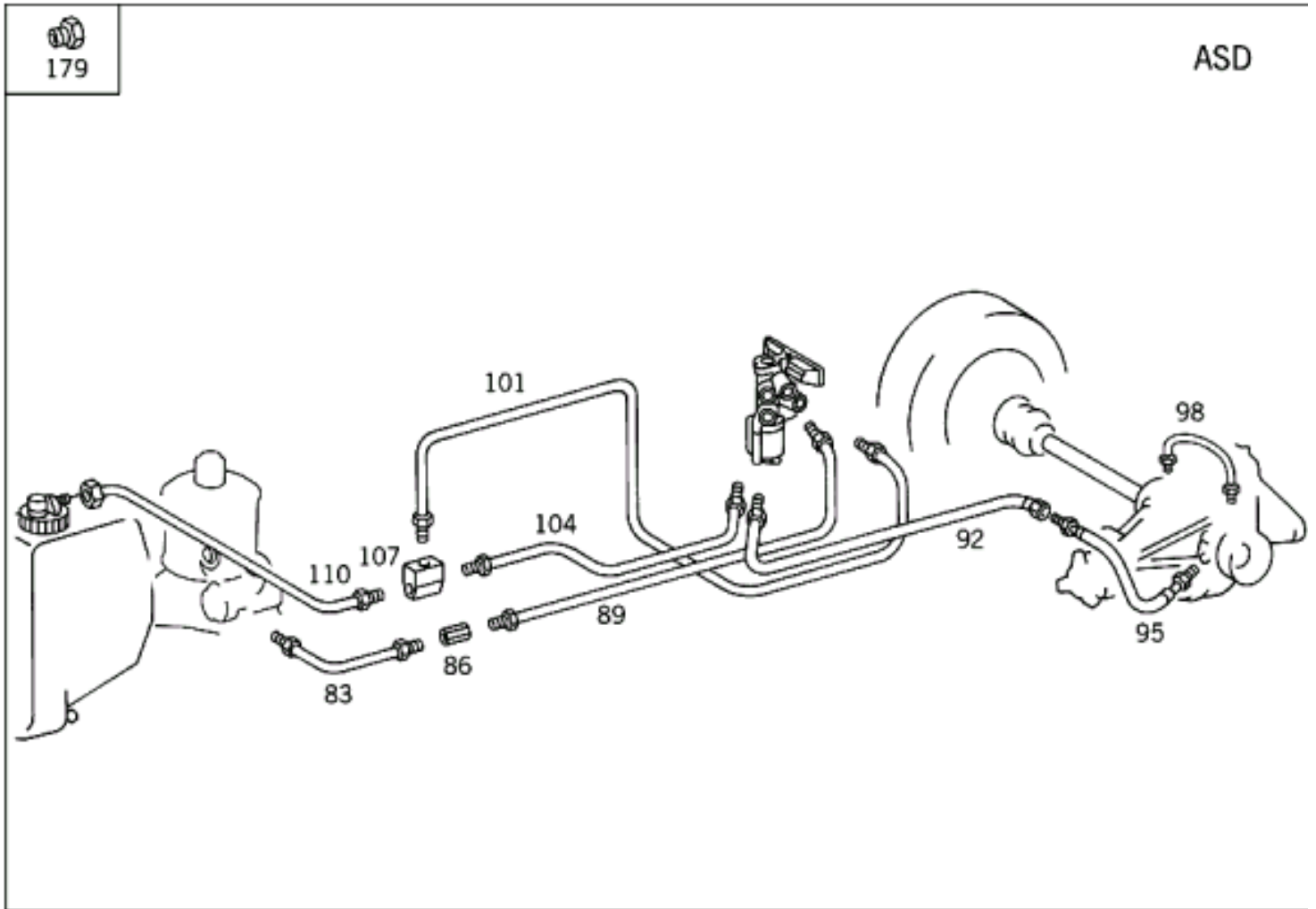
OIL TANK AND VALVES OF SELF LEVELLING DEVICE HYDRAULIC SYSTEM.AUTOMATIC



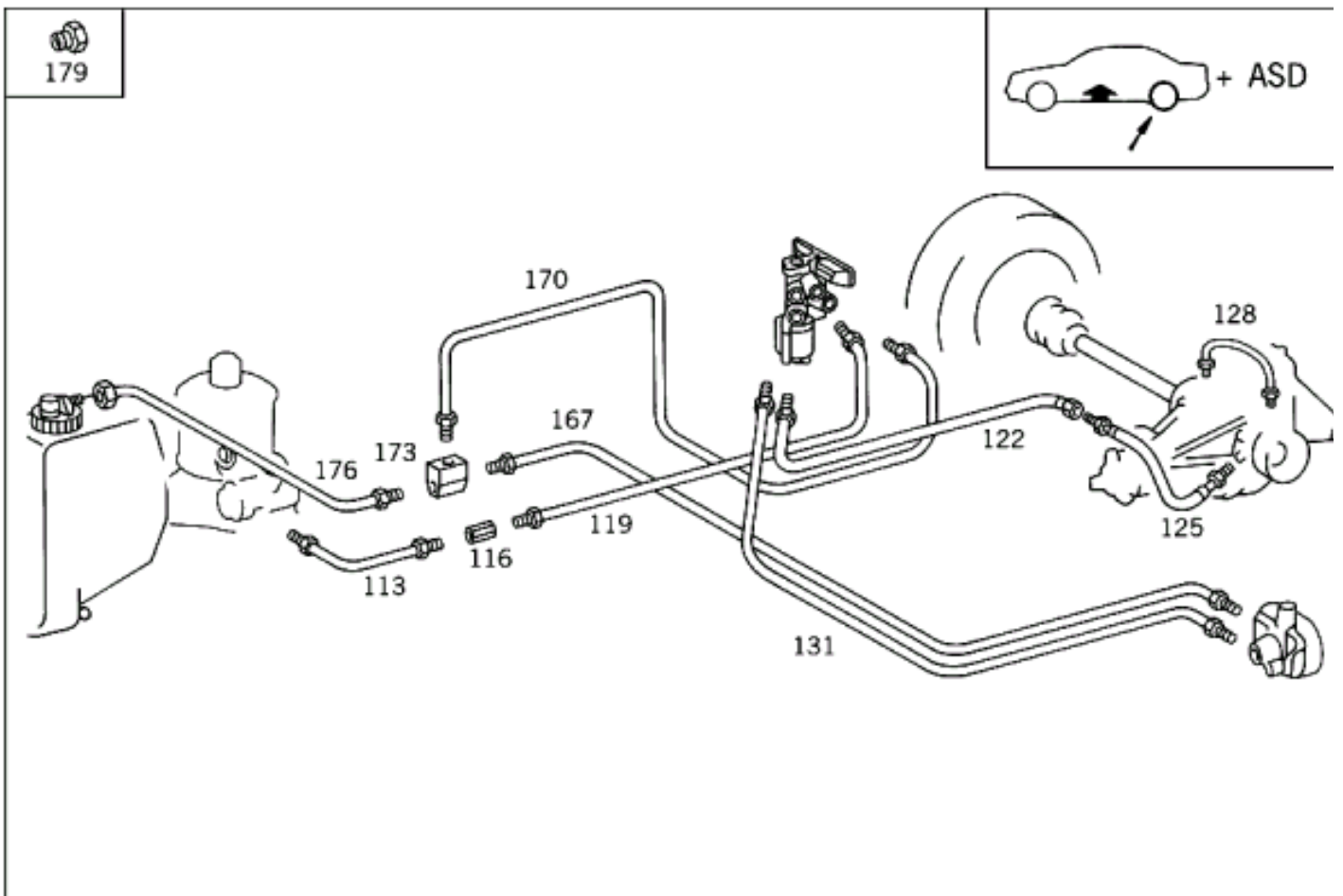
LINE ARRANGEMENT IN CASE OF SELF LEVELLING DEVICE AND ASD



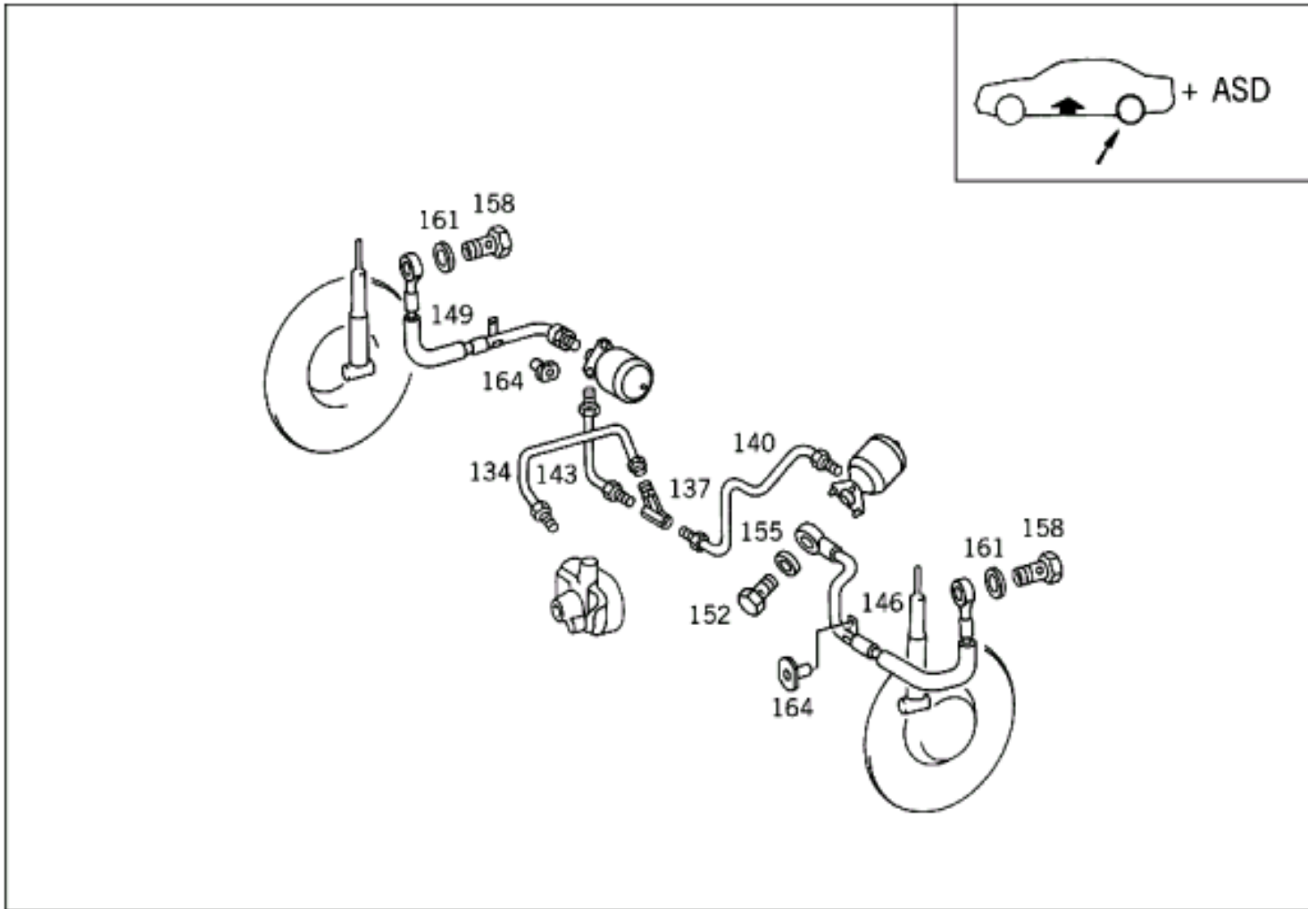
LINE ARRANGEMENT IN CASE OF SELF LEVELLING DEVICE AND A



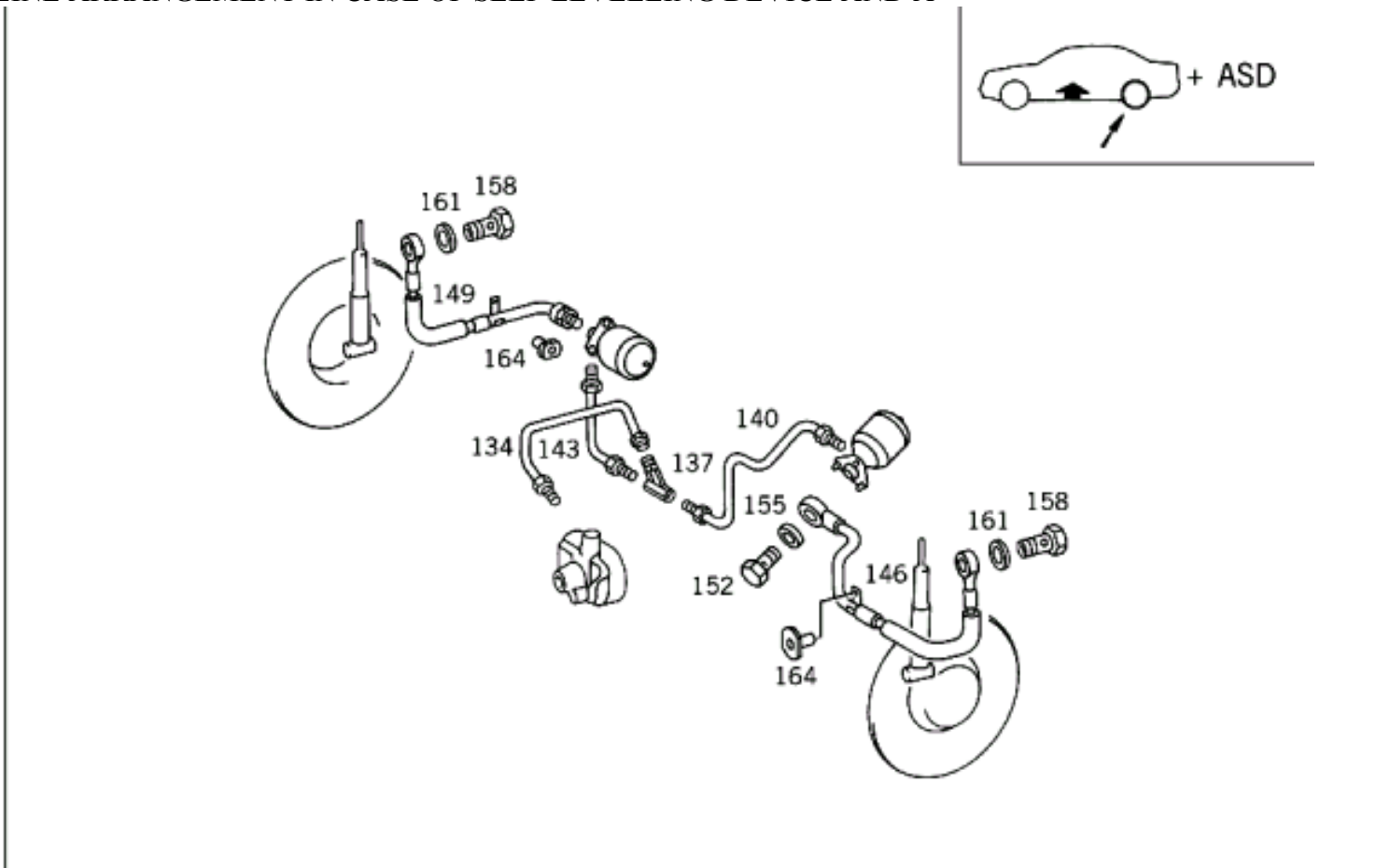
LINE ARRANGEMENT IN CASE OF SELF LEVELLING DEVICE AND A



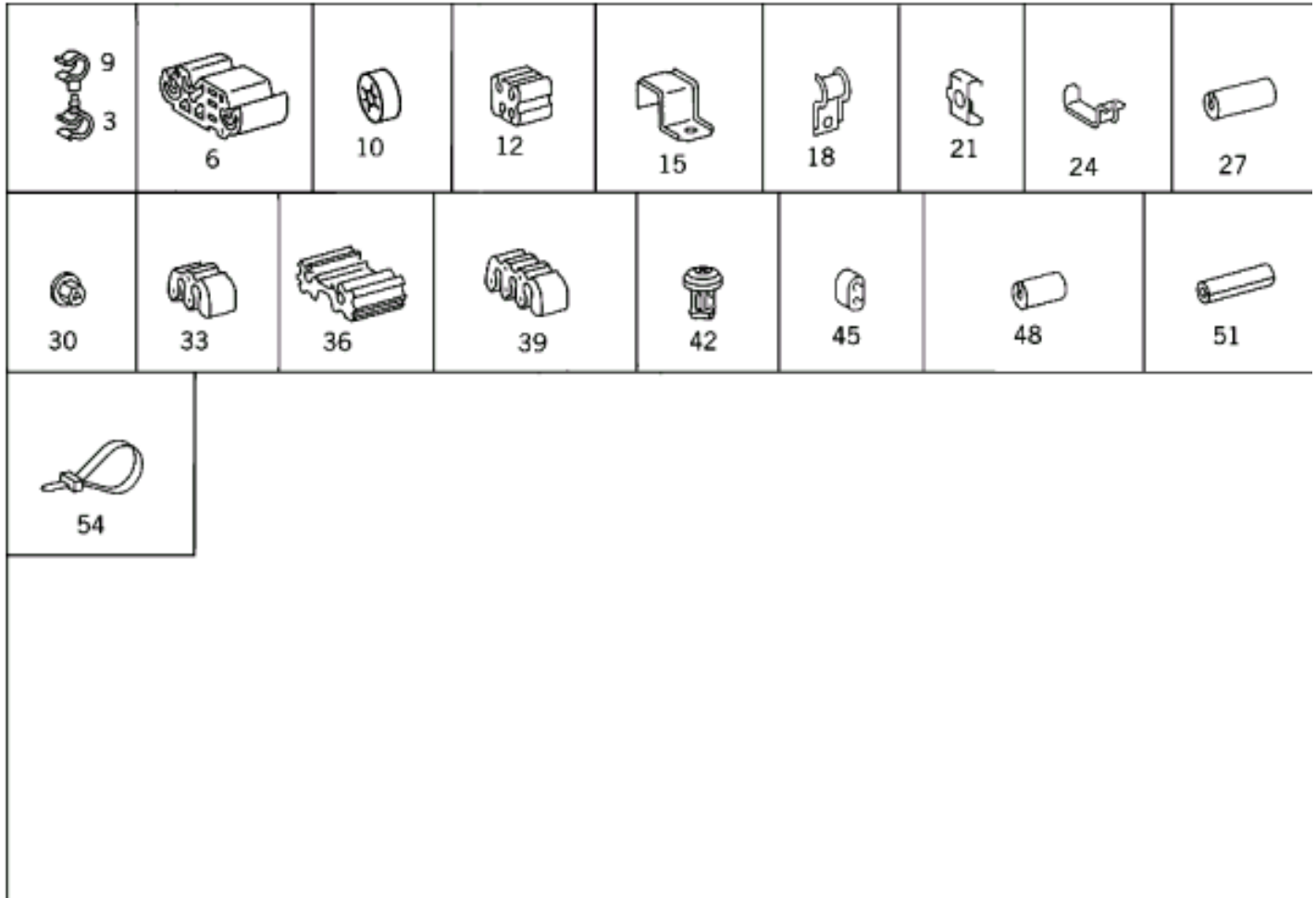
LINE ARRANGEMENT IN CASE OF SELF LEVELLING DEVICE AND A



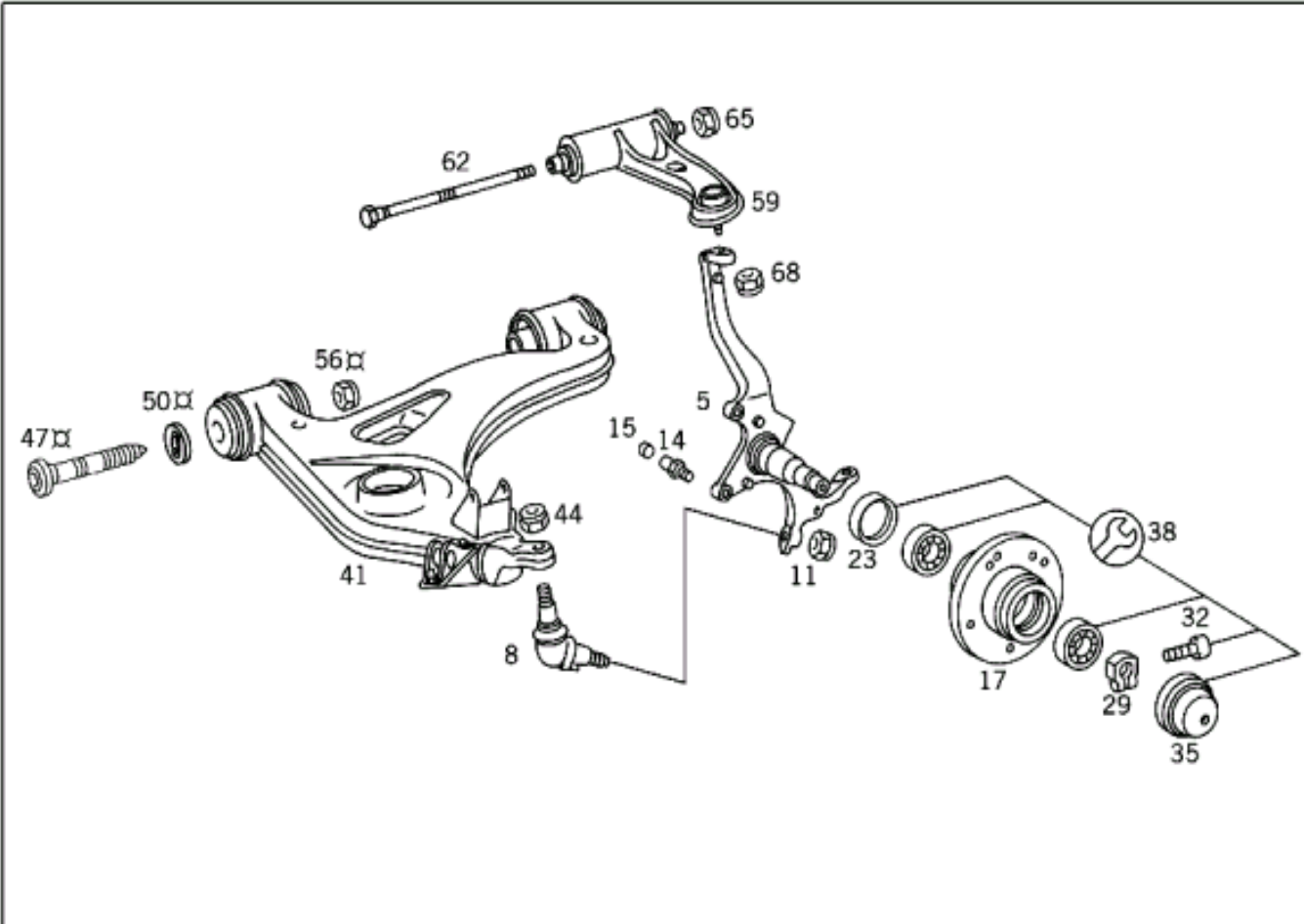
LINE ARRANGEMENT IN CASE OF SELF LEVELLING DEVICE AND A



# HYDRAULIC LINE MOUNTING PARTS

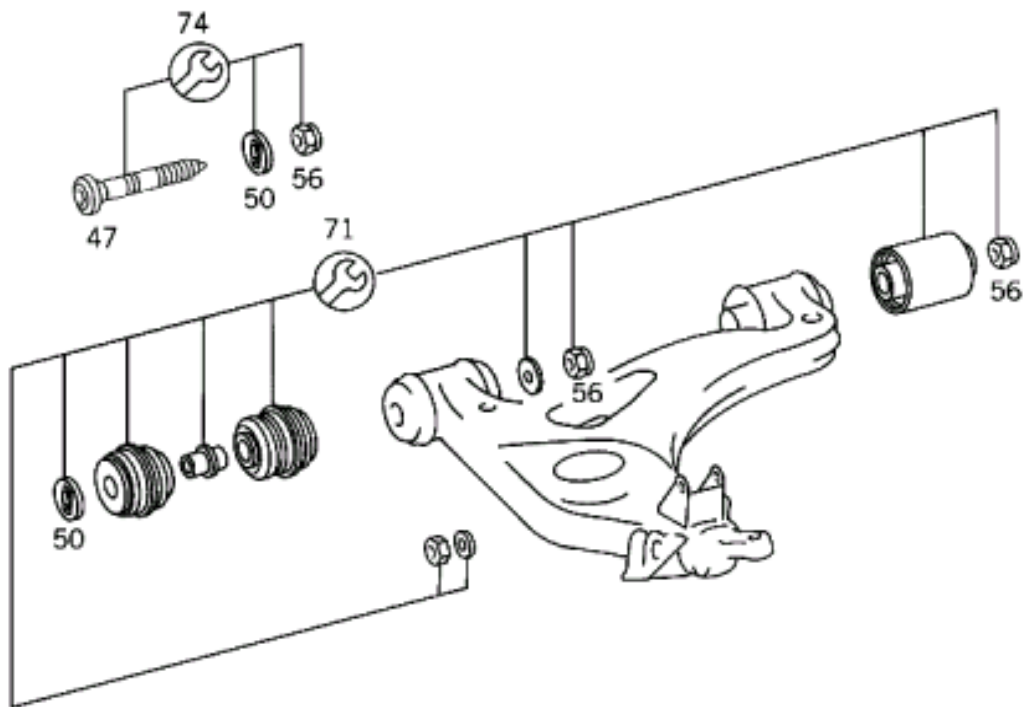


# STEERING KNUCKLE AND CONTROL ARM

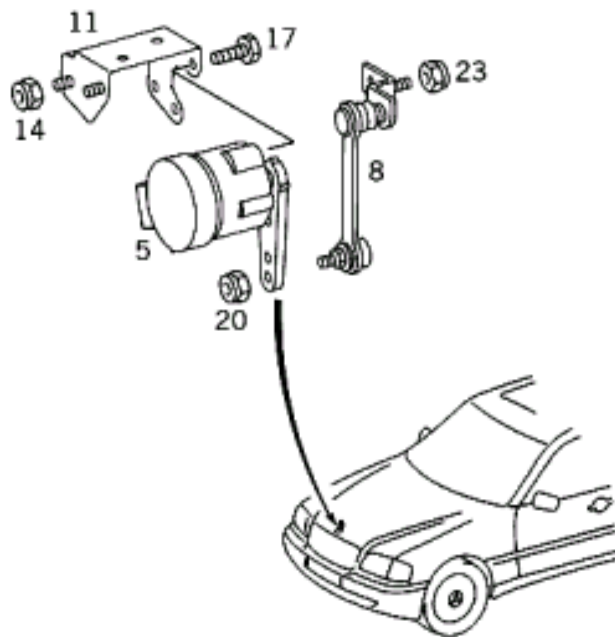


# STEERING KNUCKLE AND CONTROL ARM

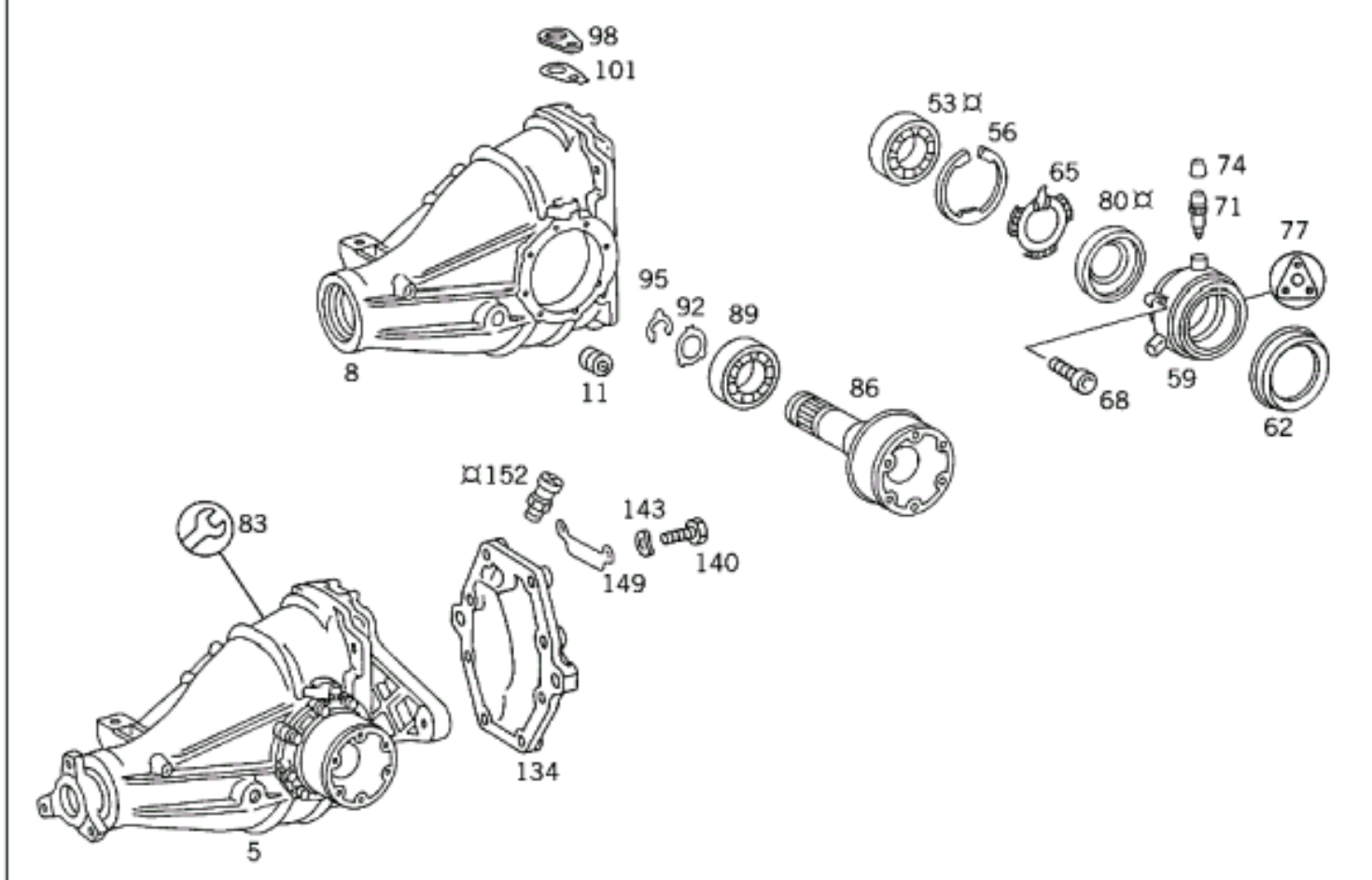
R



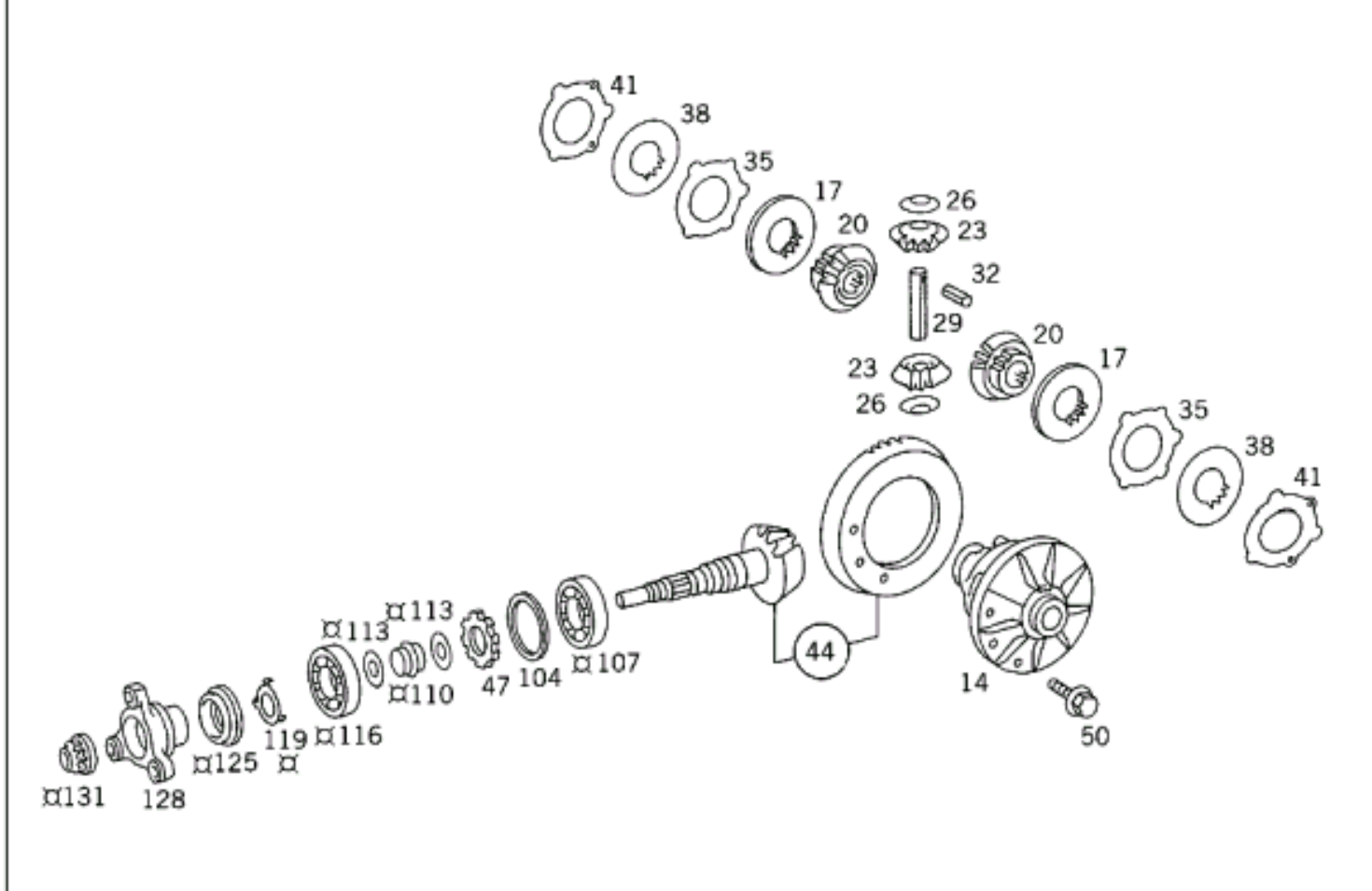
# REGULATION OF DYNAMIC HEADLAMP RANGE CONTROL. FRONT



REAR AXLE HOUSING WITH DIFFERENTIAL

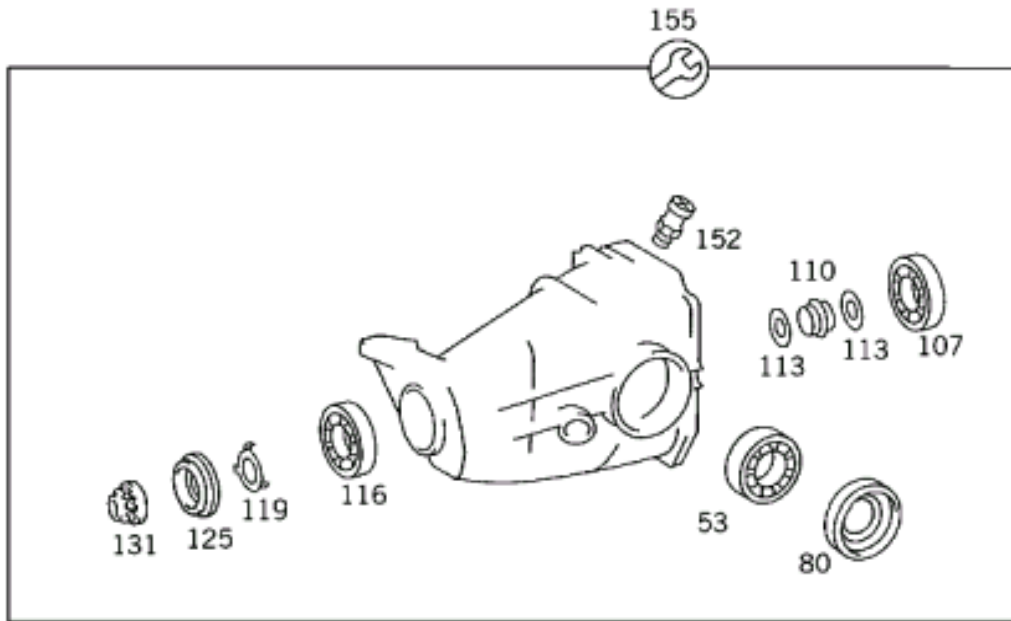


REAR AXLE HOUSING WITH DIFFERENTIAL

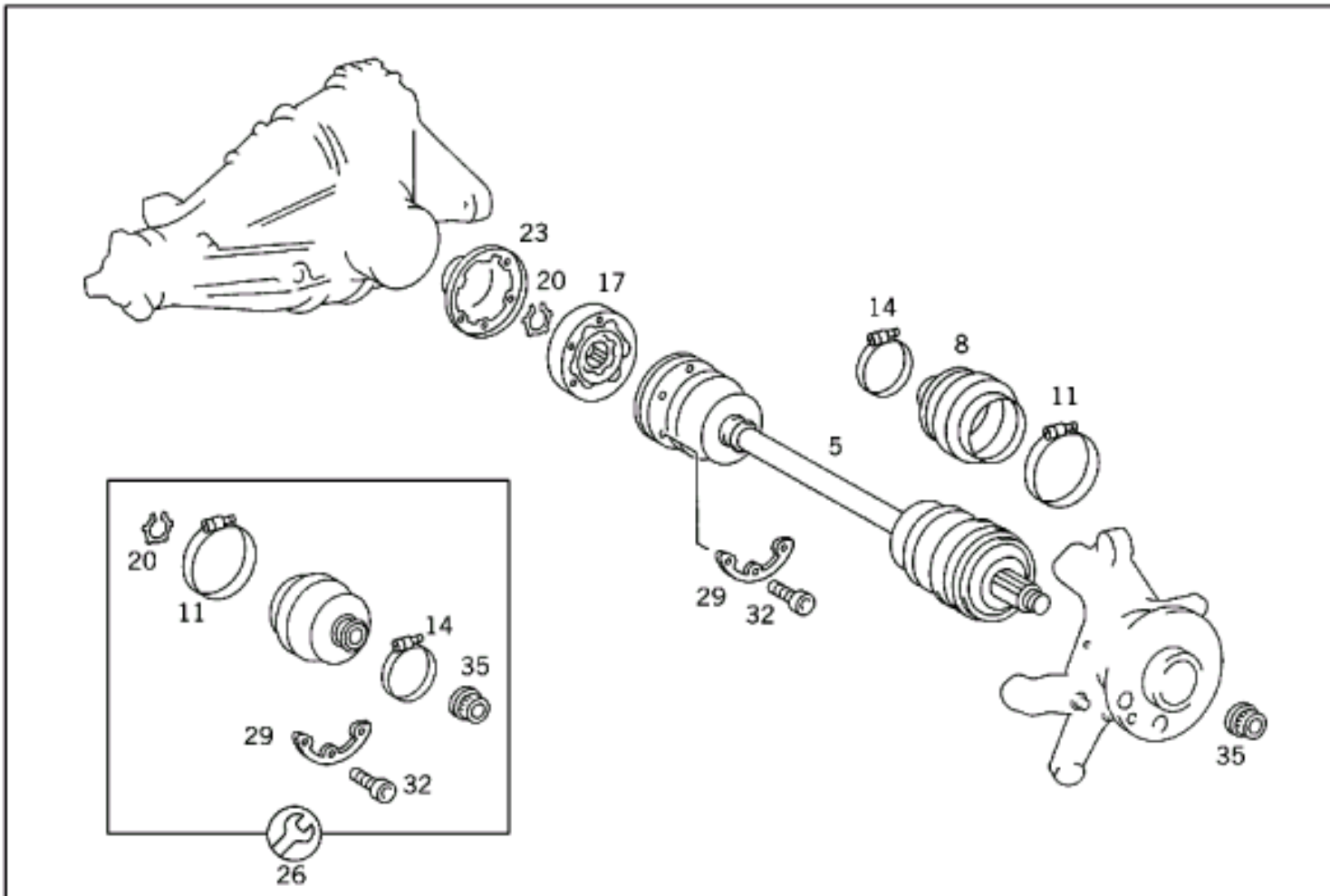


REAR AXLE HOUSING WITH DIFFERENTIAL

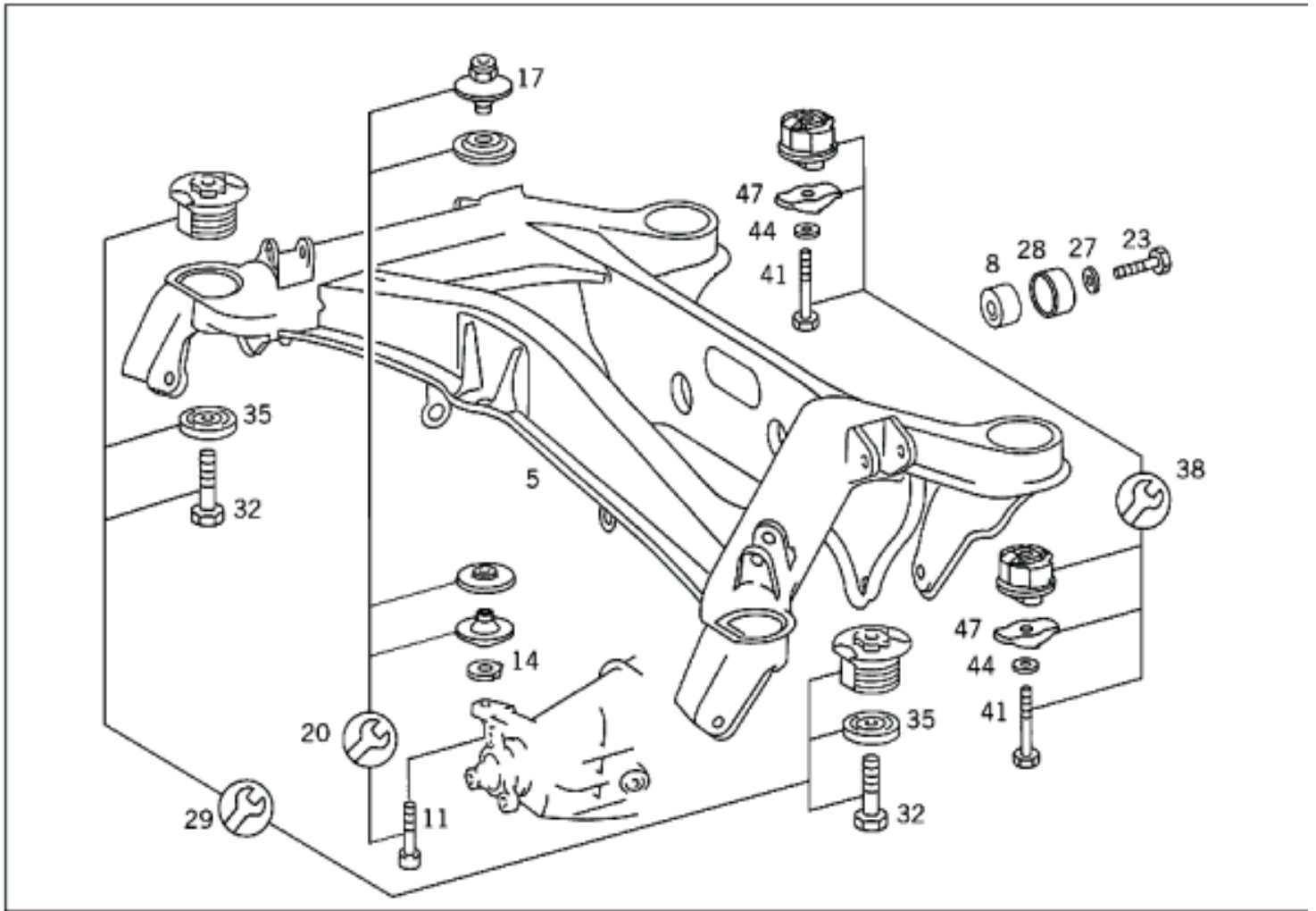
R



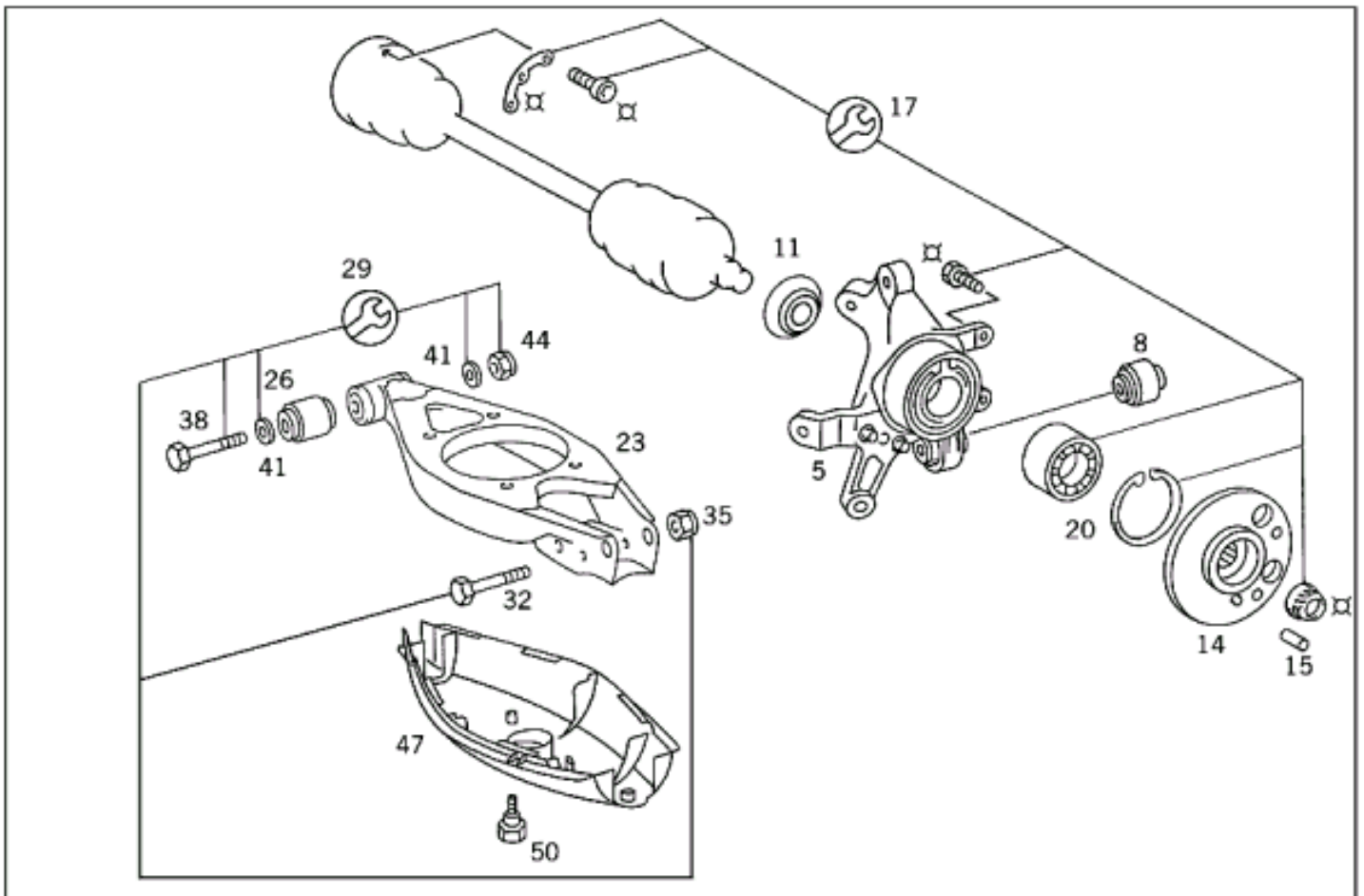
AXLE SHAFT



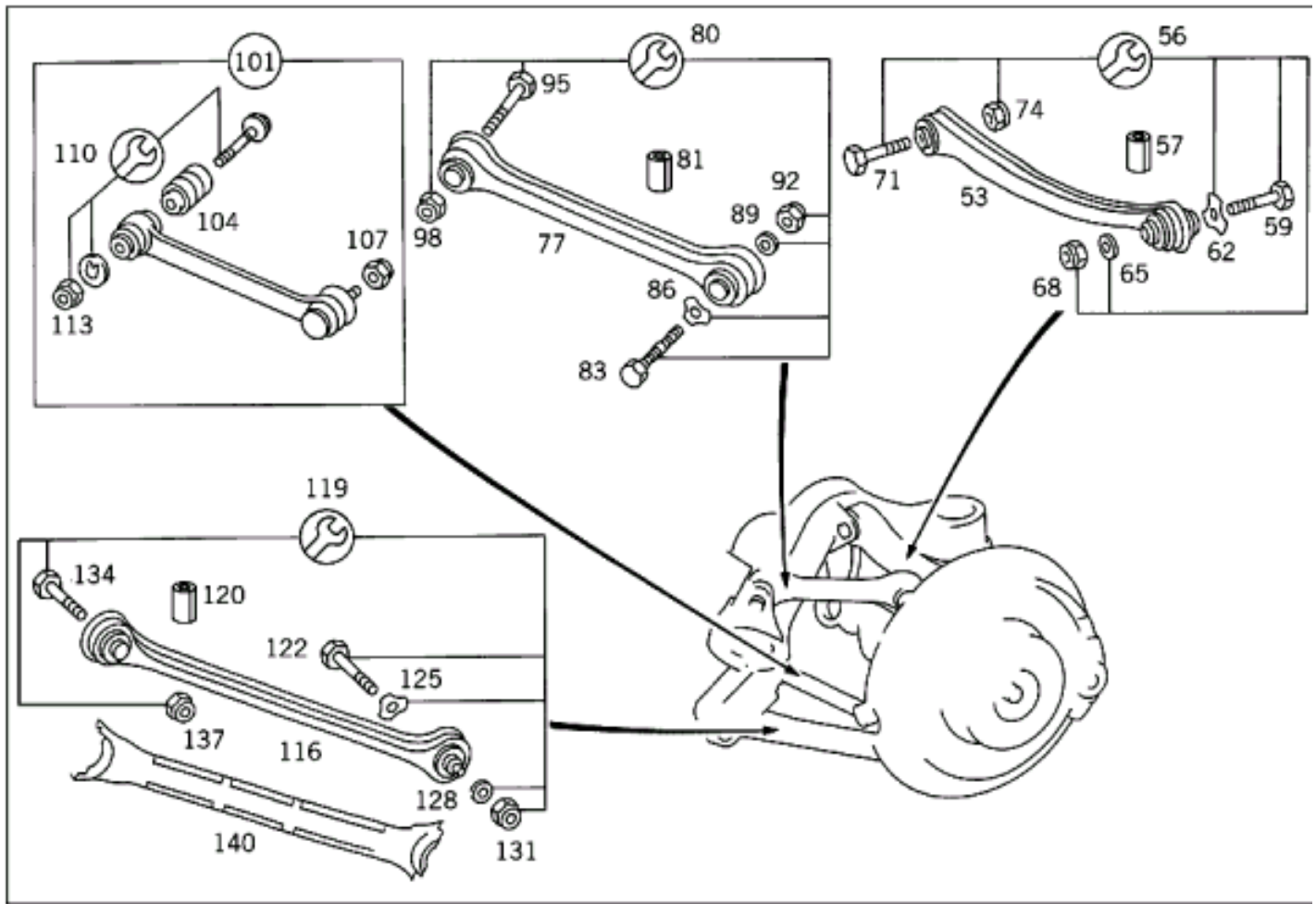
## REAR SUBFRAME



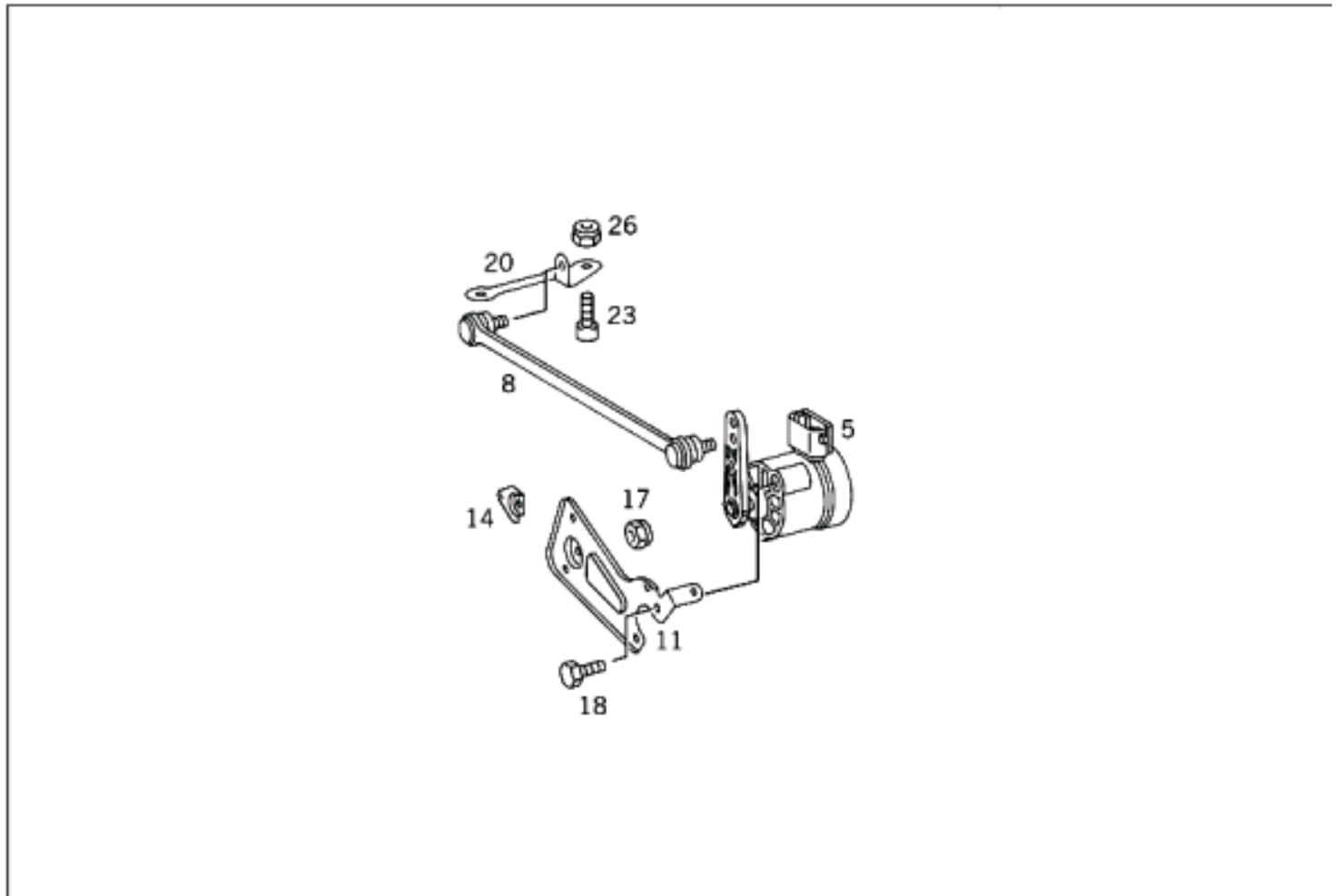
## REAR AXLE SUSPENSION

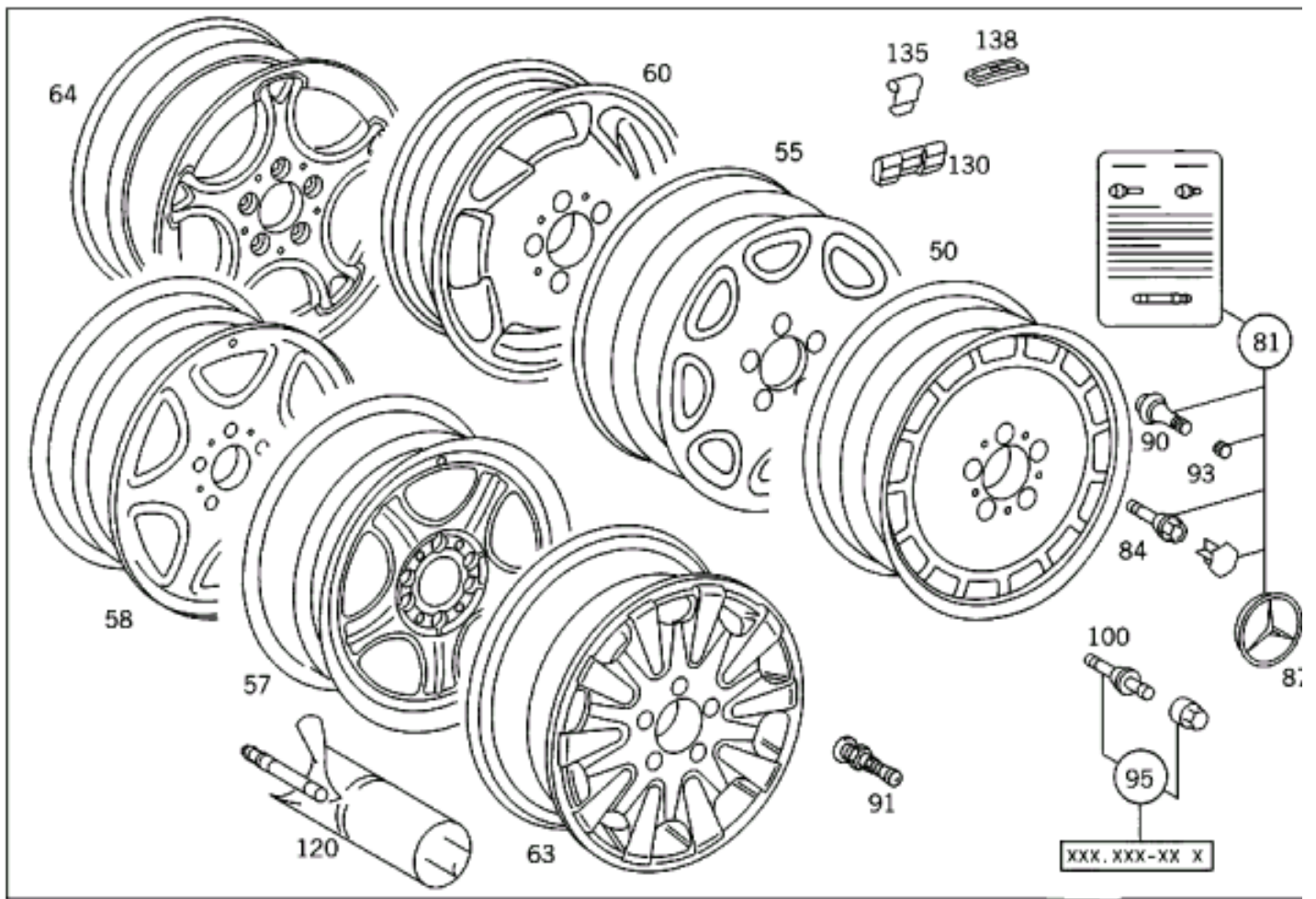


# REAR AXLE SUSPENSION

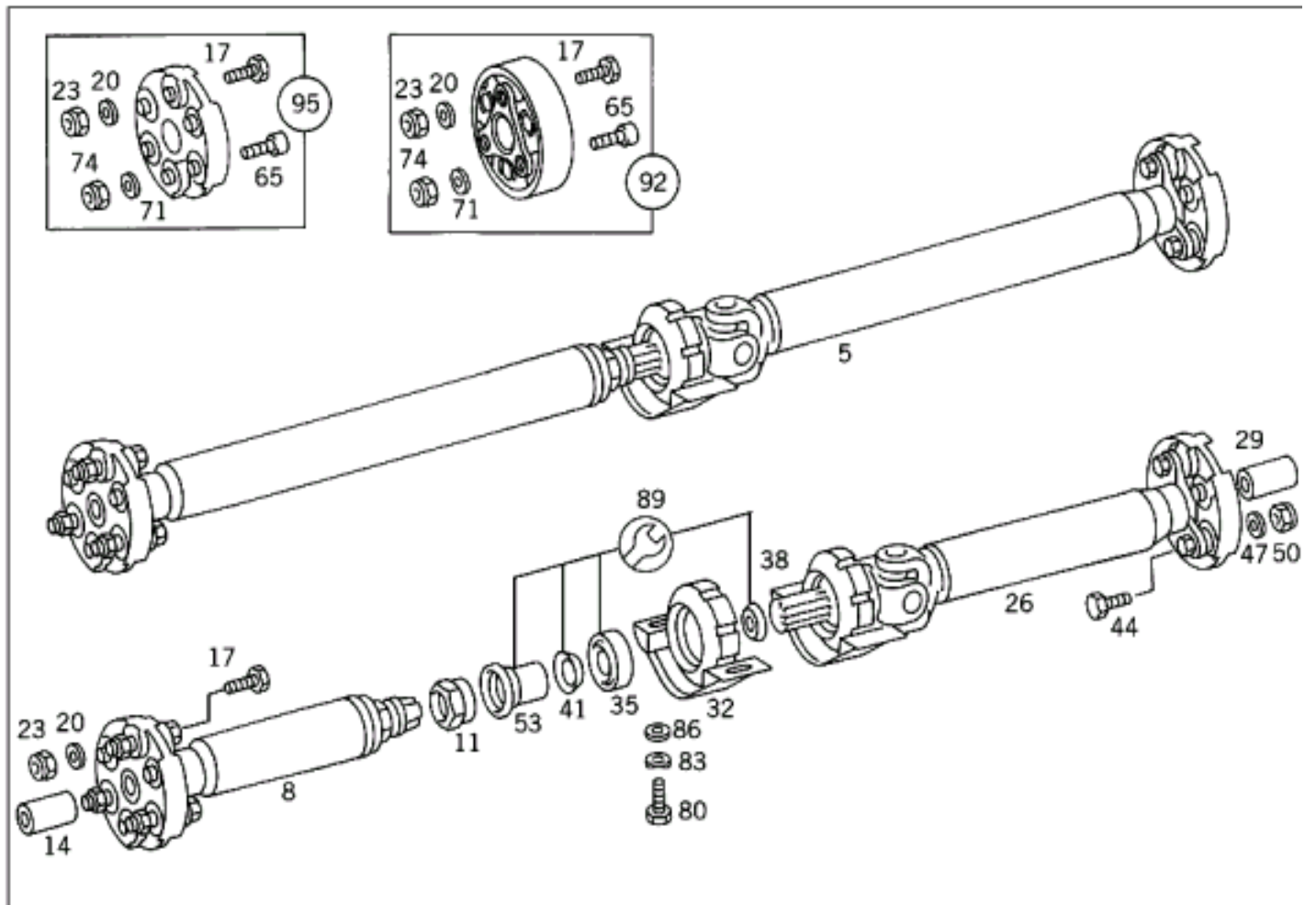


# REGULATION OF DYNAMIC HEADLAMP RANGE CONTROL .REAR

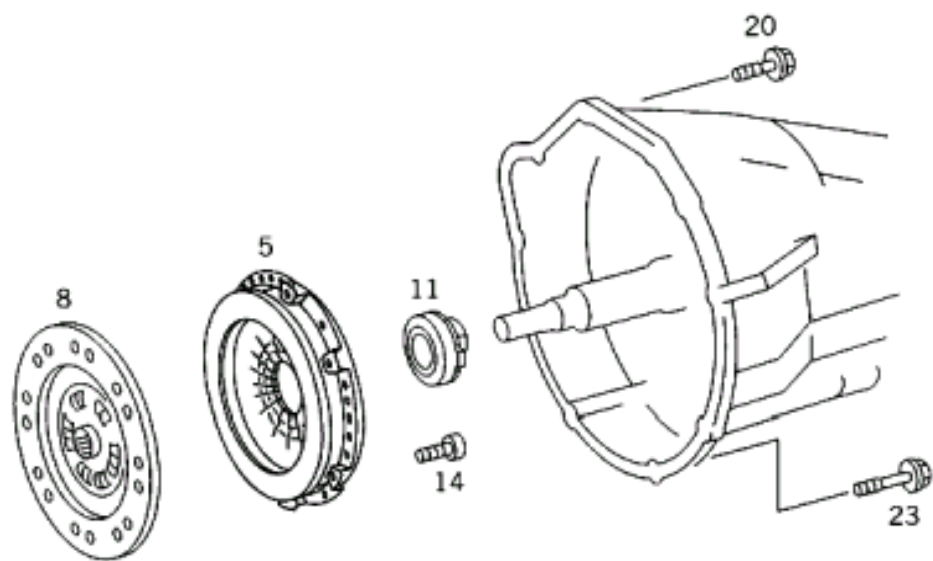




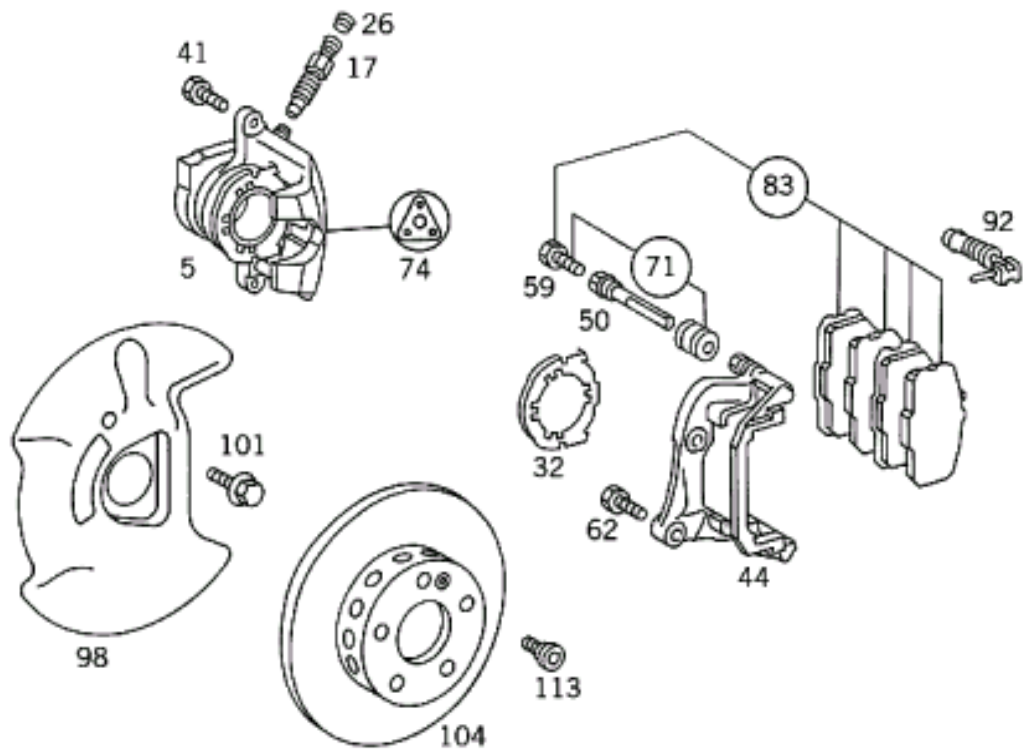
PROPELLER SHAFT



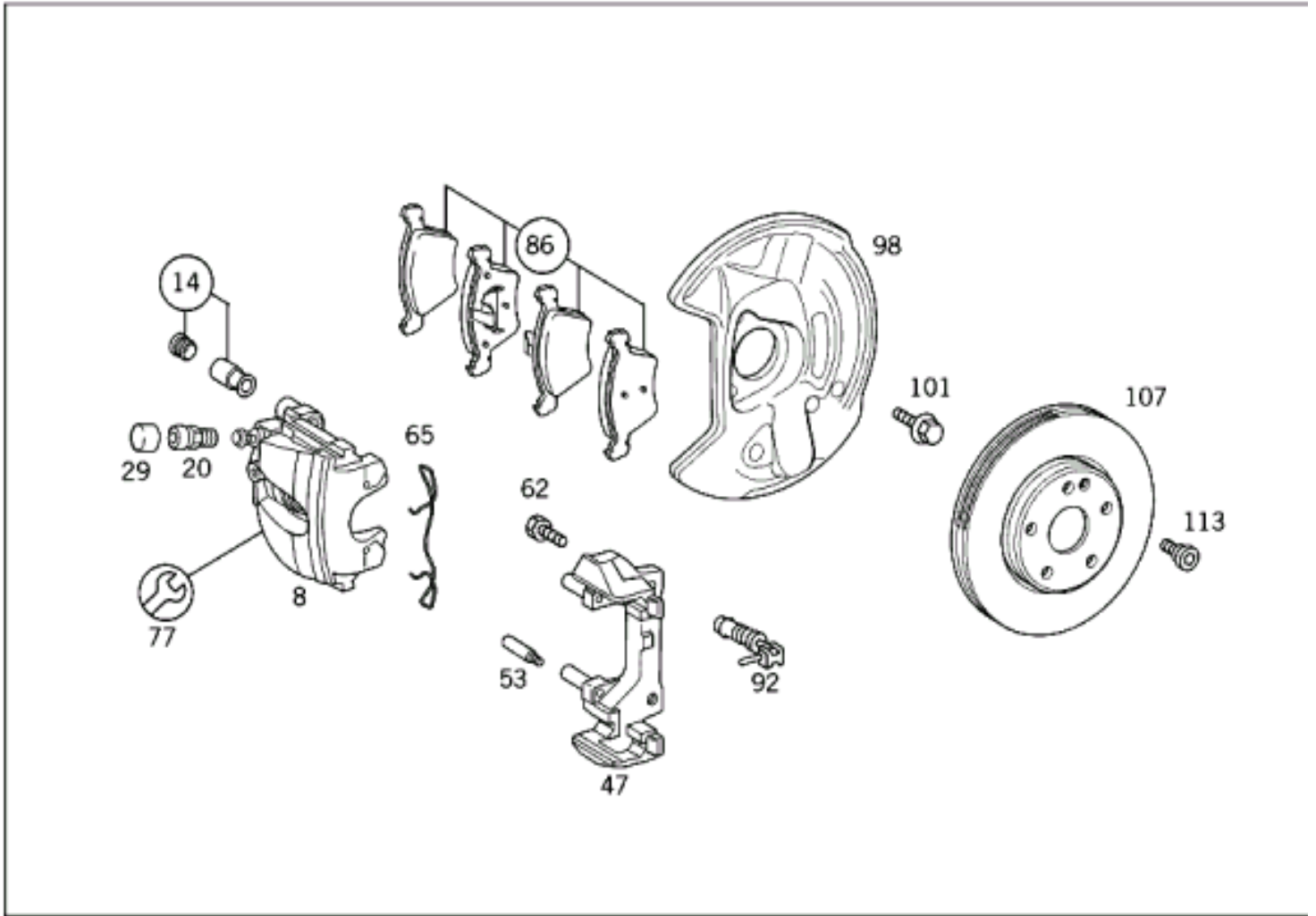
# CLUTCH



# FRONT WHEEL BRAKE

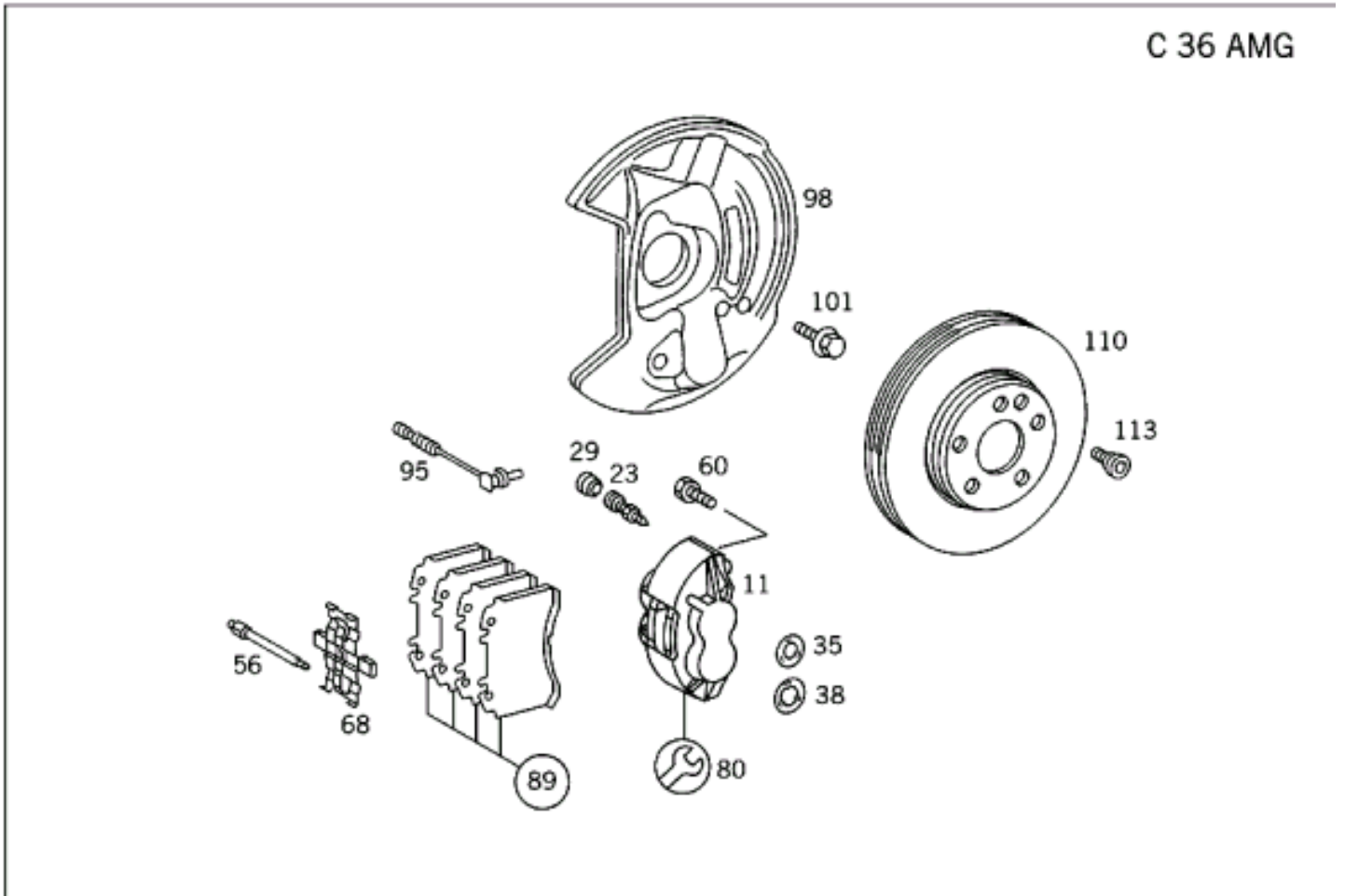


FRONT WHEEL BRAKE

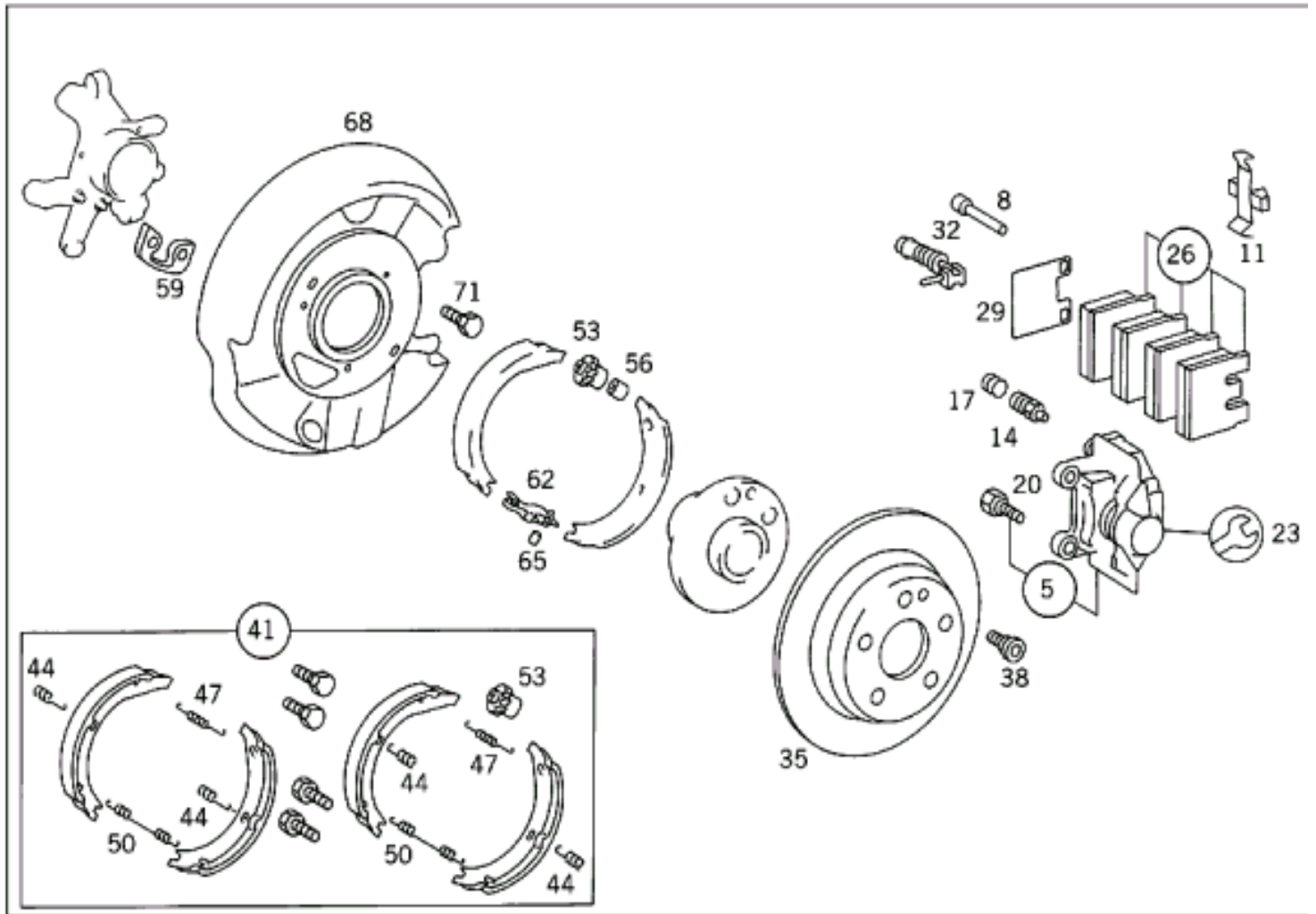


FRONT WHEEL BRAKE

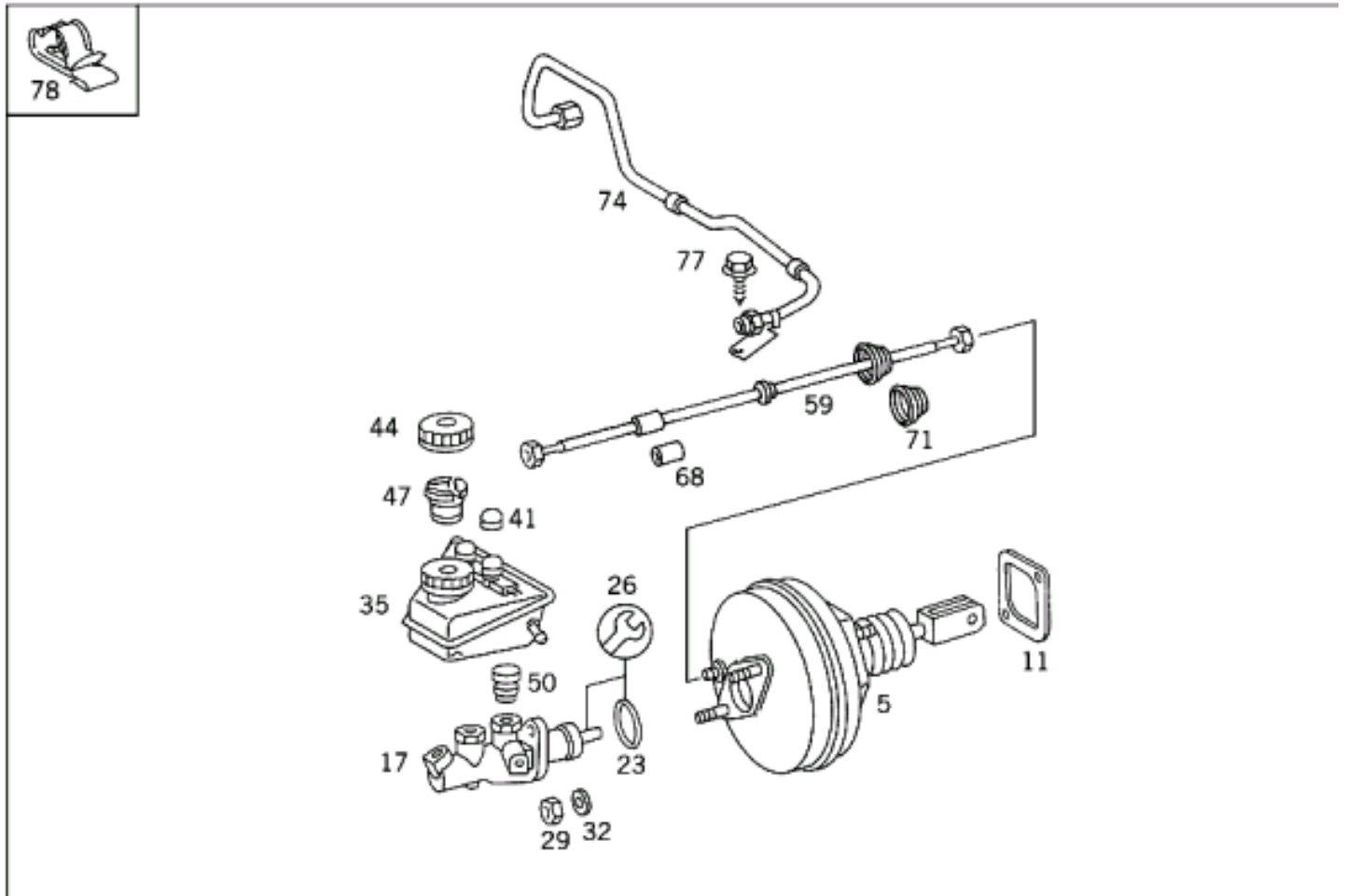
C 36 AMG



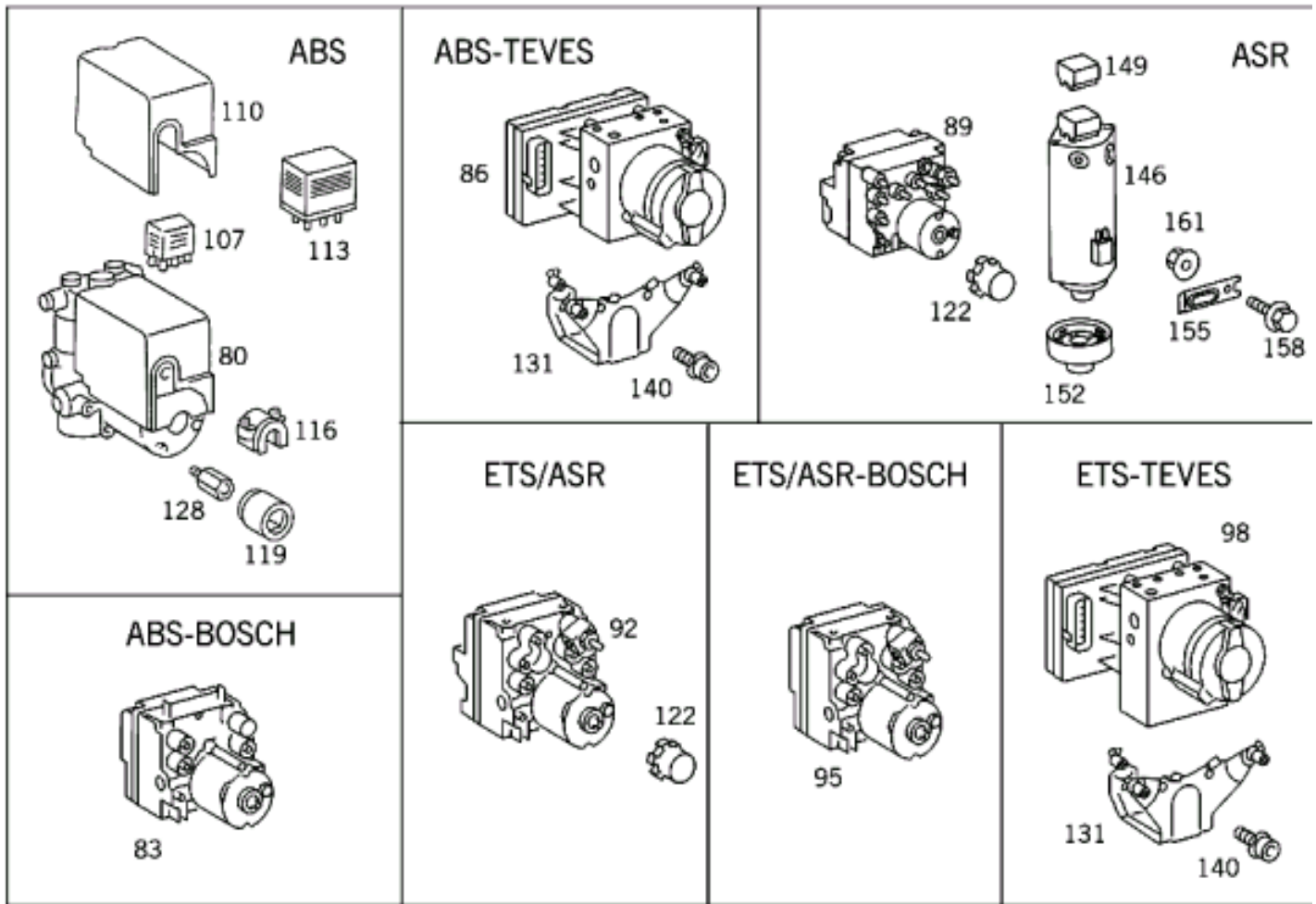
# REAR WHEEL BRAKE



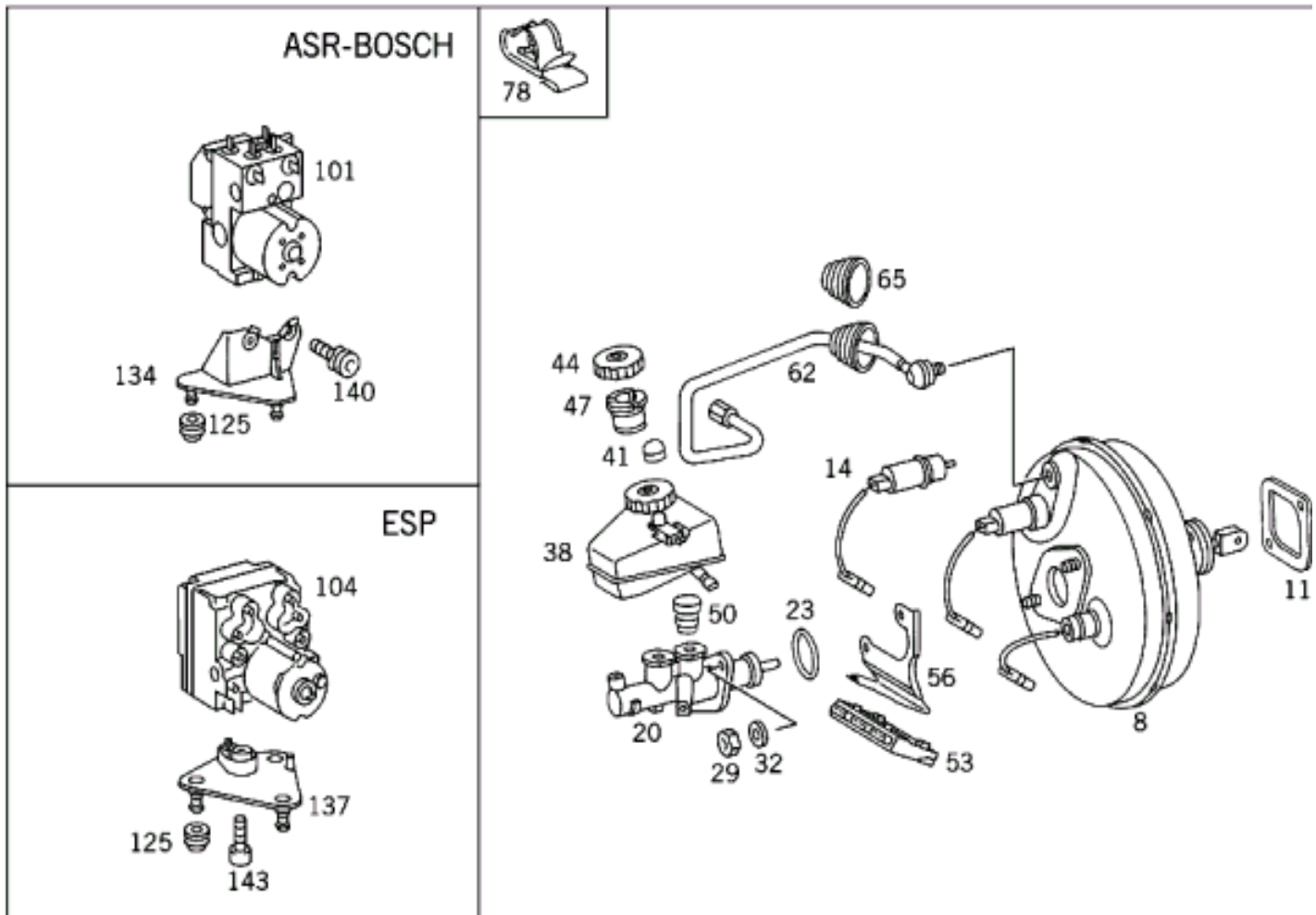
# BRAKE BOOSTER



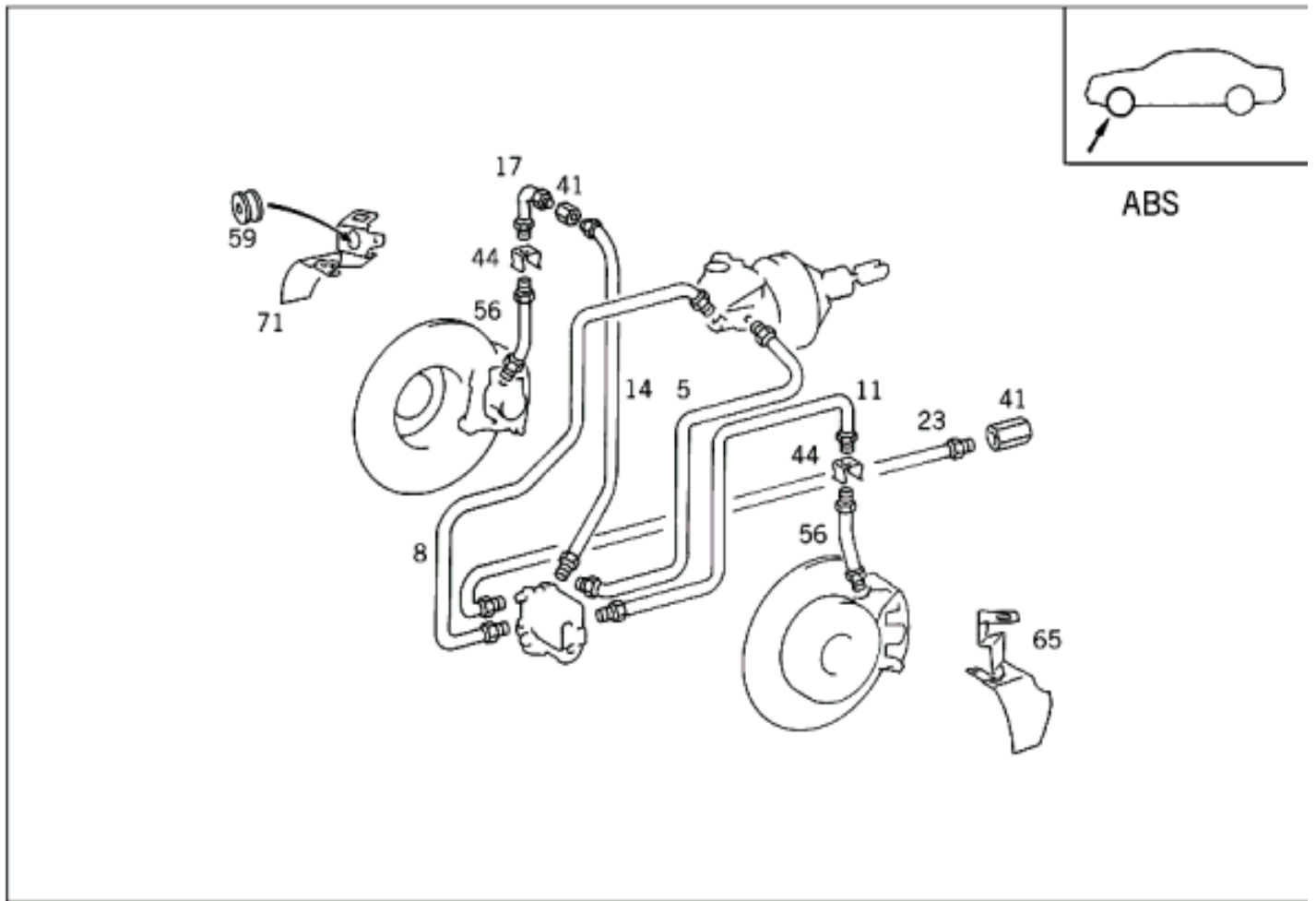
**BRAKE BOOSTER**



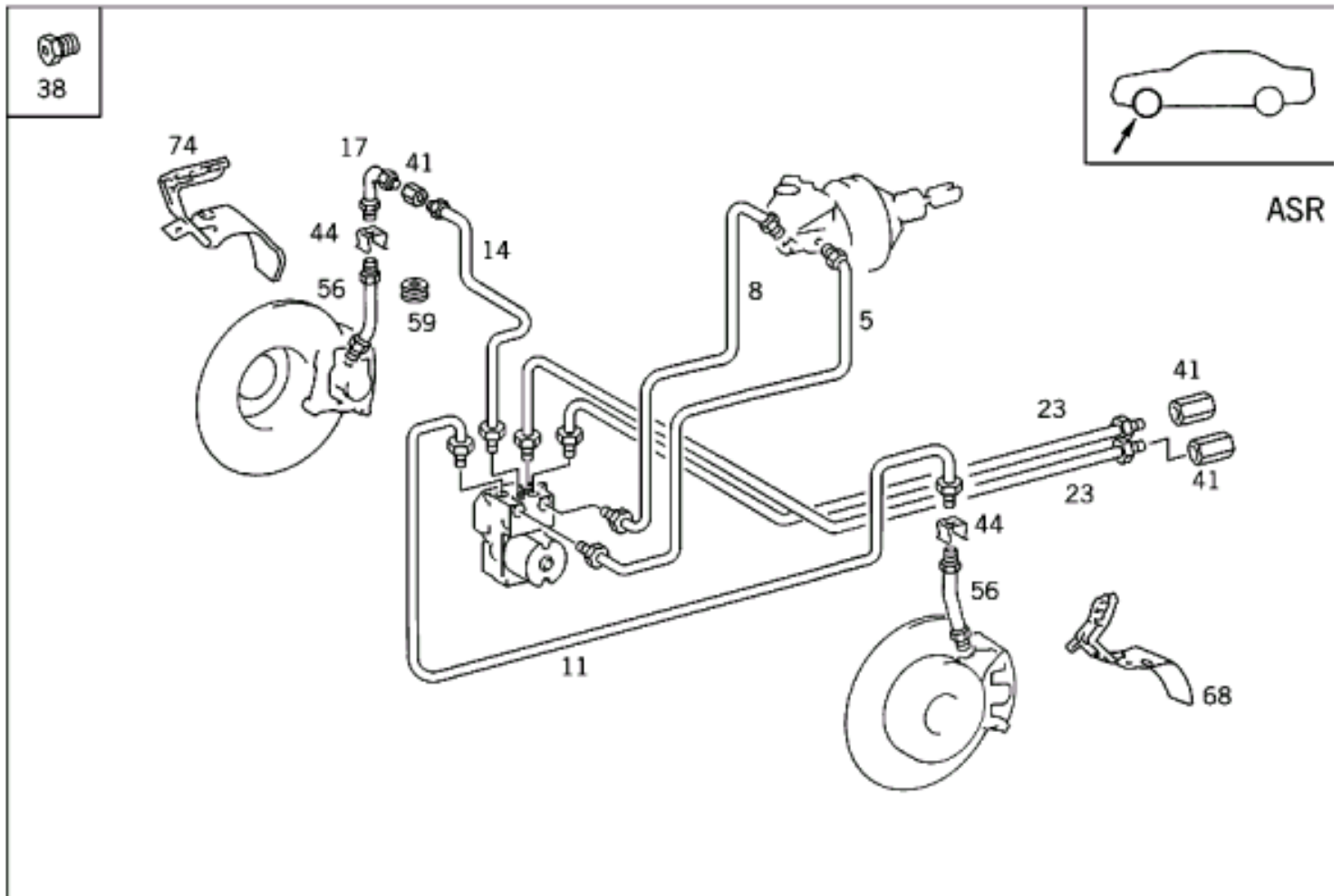
**BRAKE BOOSTER**



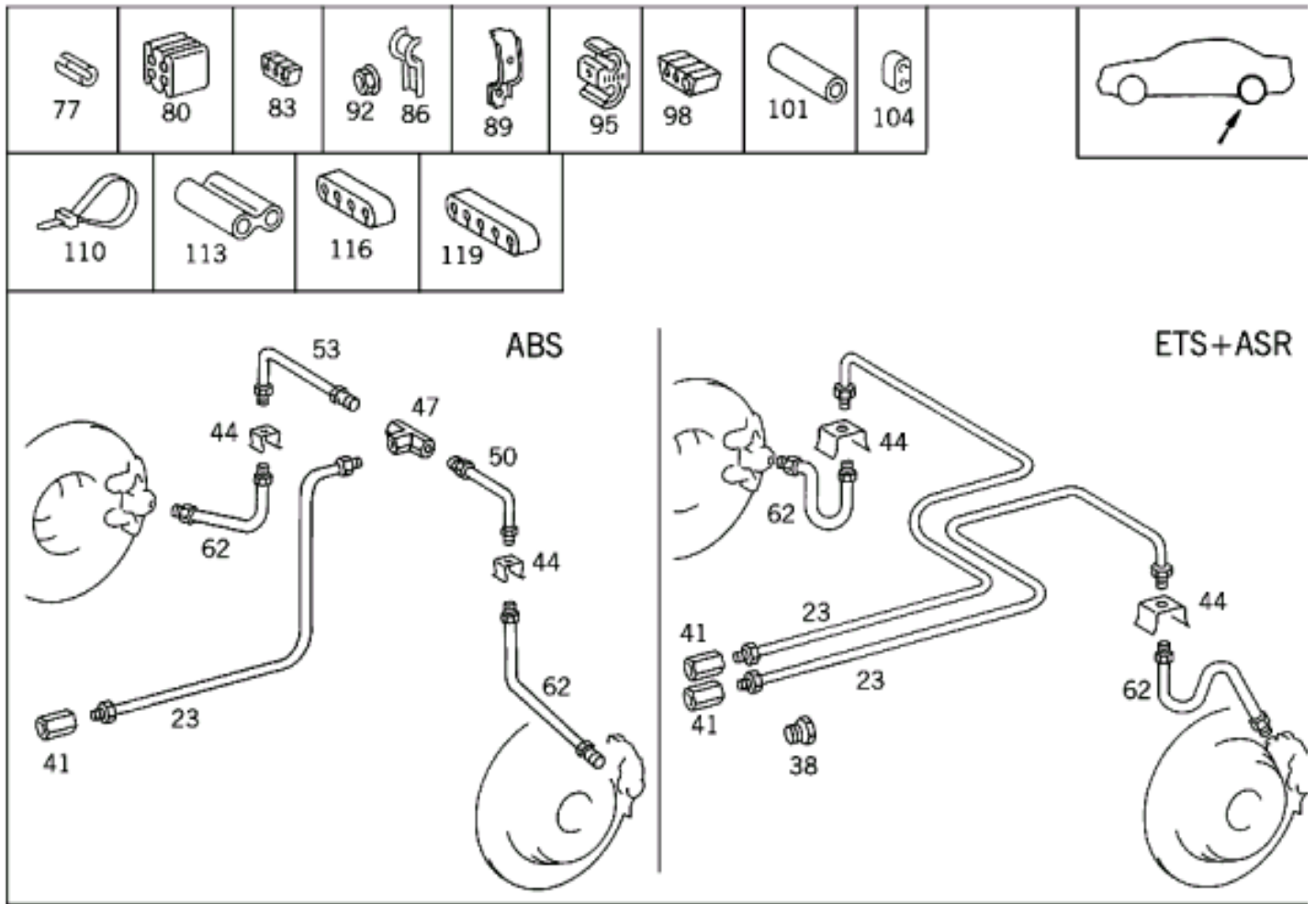
# BRAKE LINES



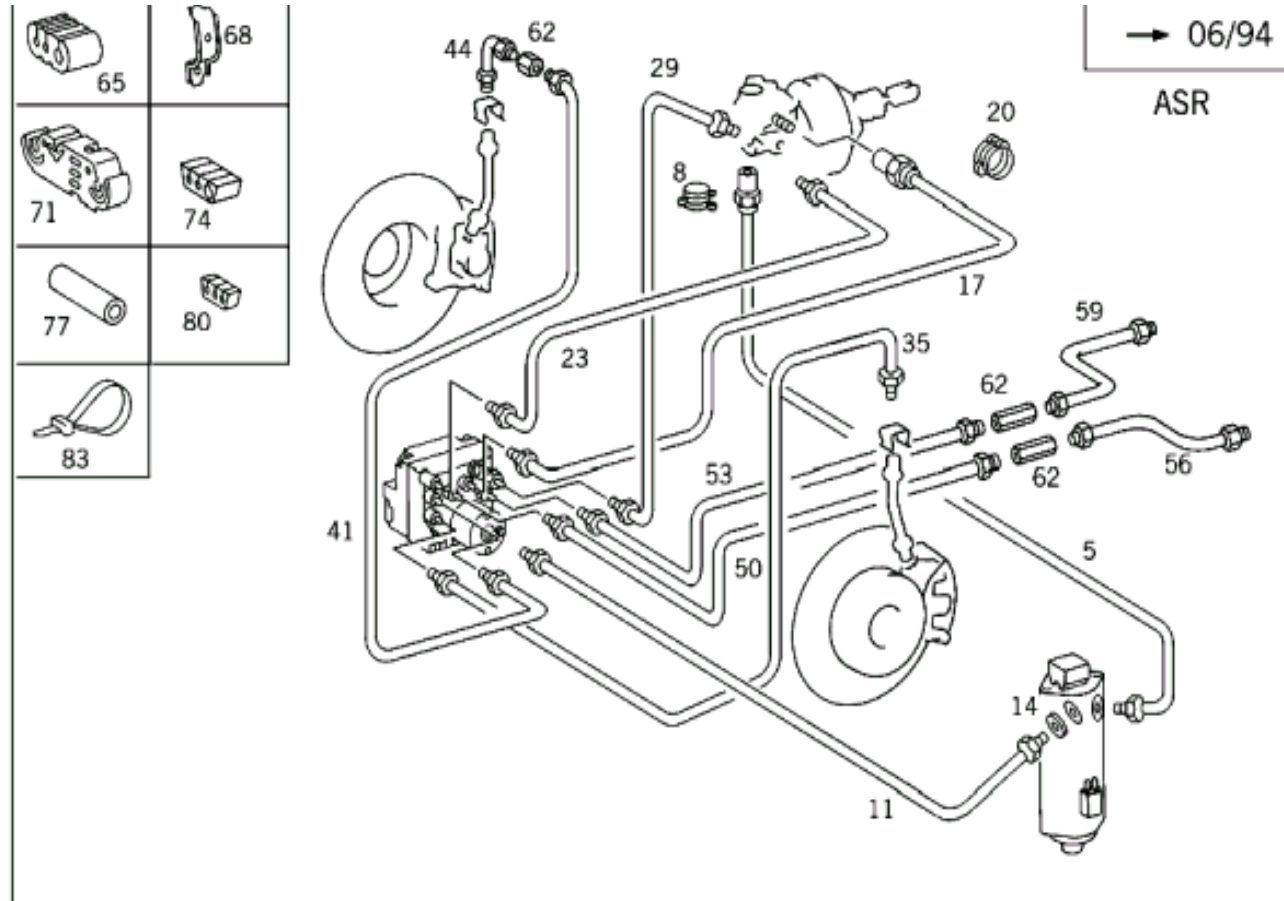
# BRAKE LINES



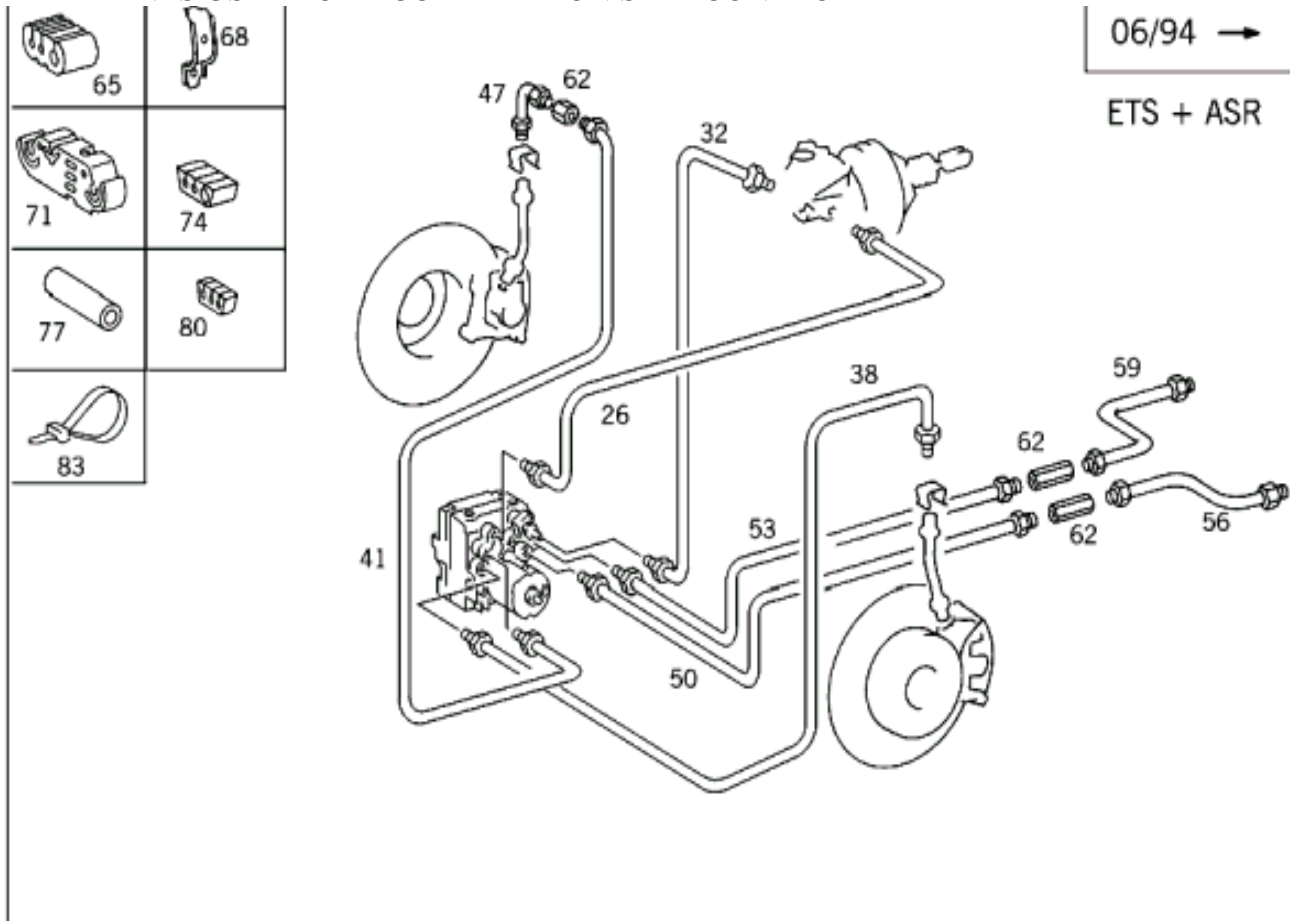
# BRAKE LINES



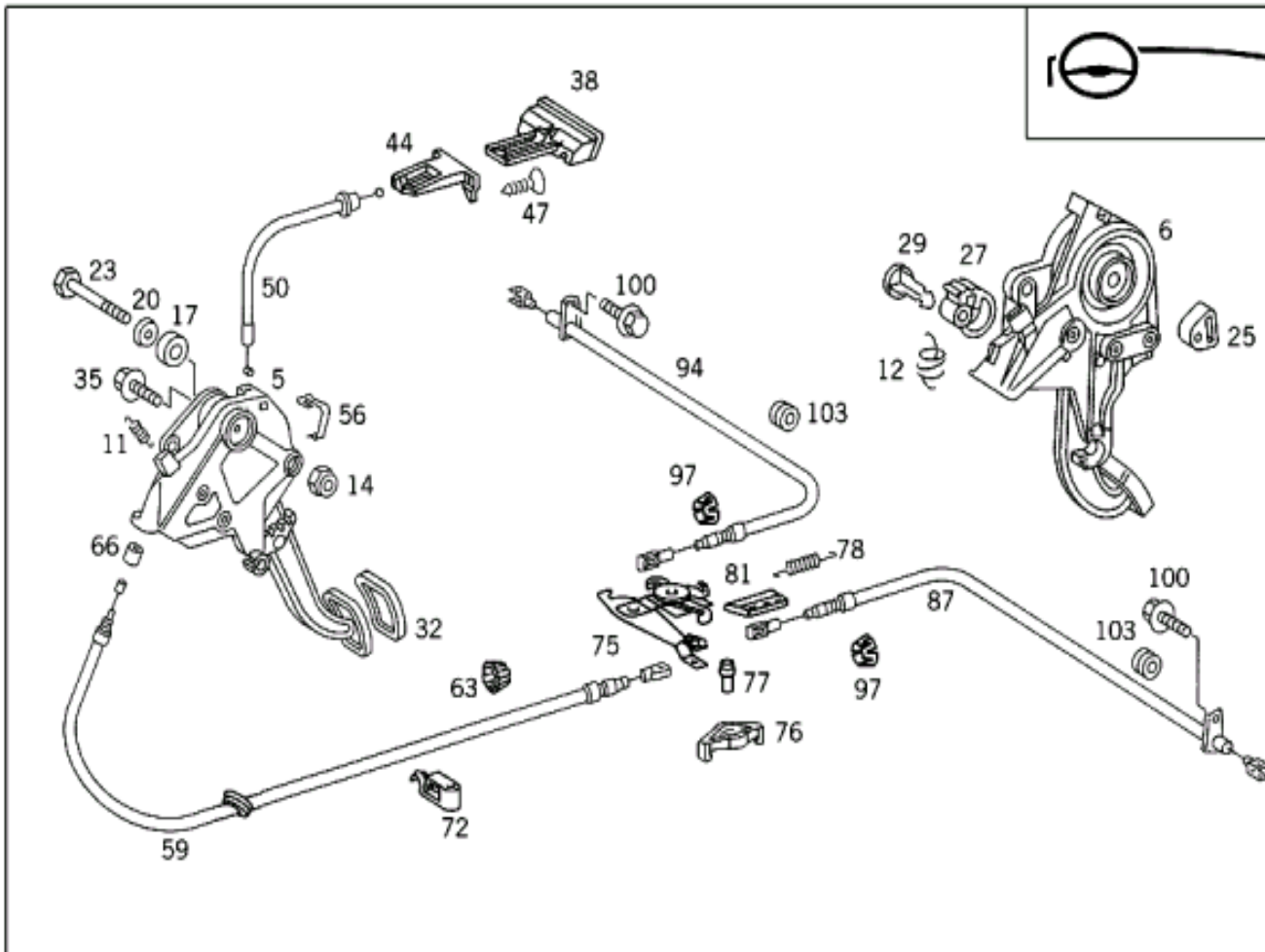
# BRAKE LINES USED FOR ACCELERATION SKID CONTROL



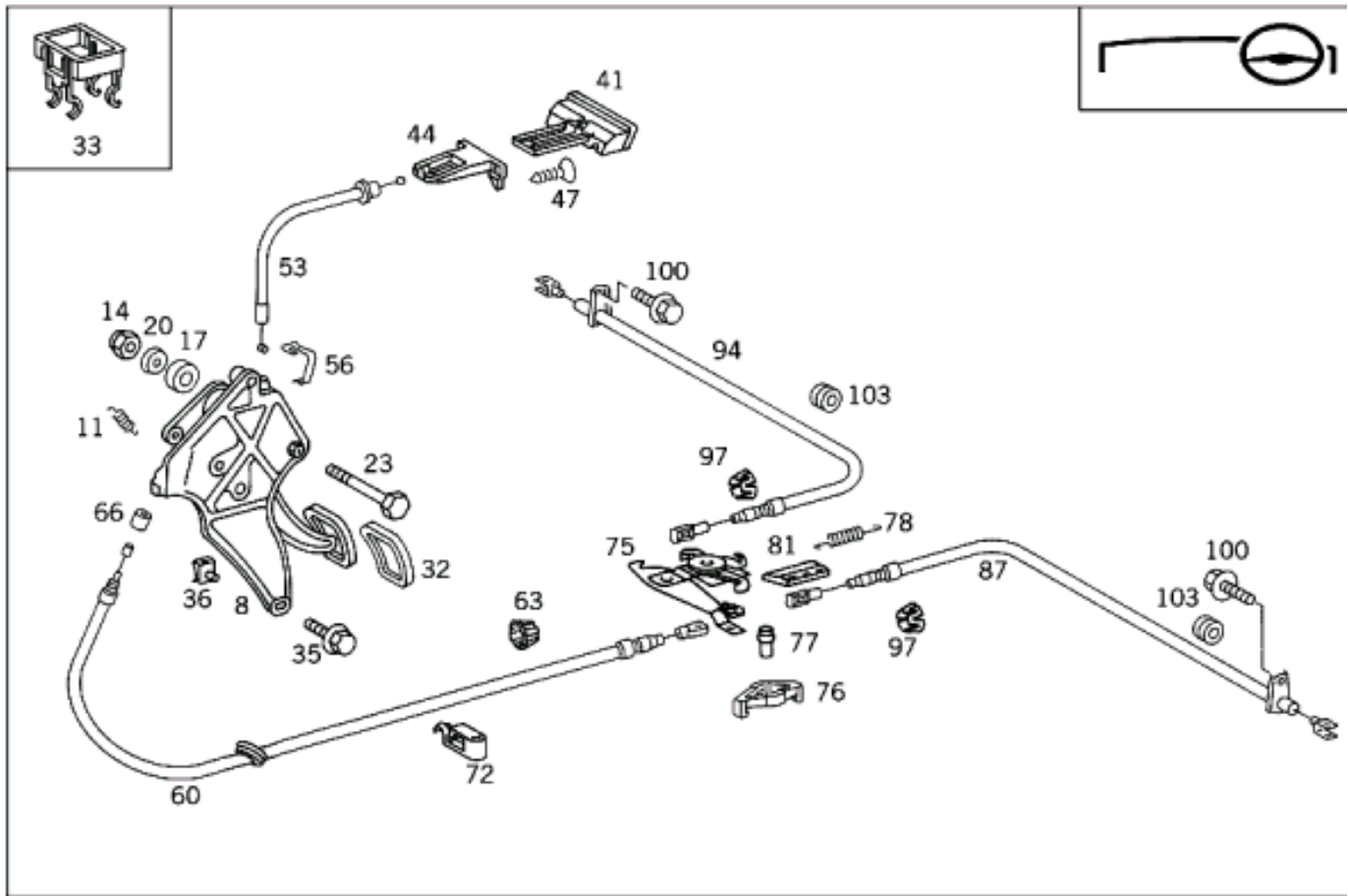
# BRAKE LINES USED FOR ACCELERATION SKID CONTROL



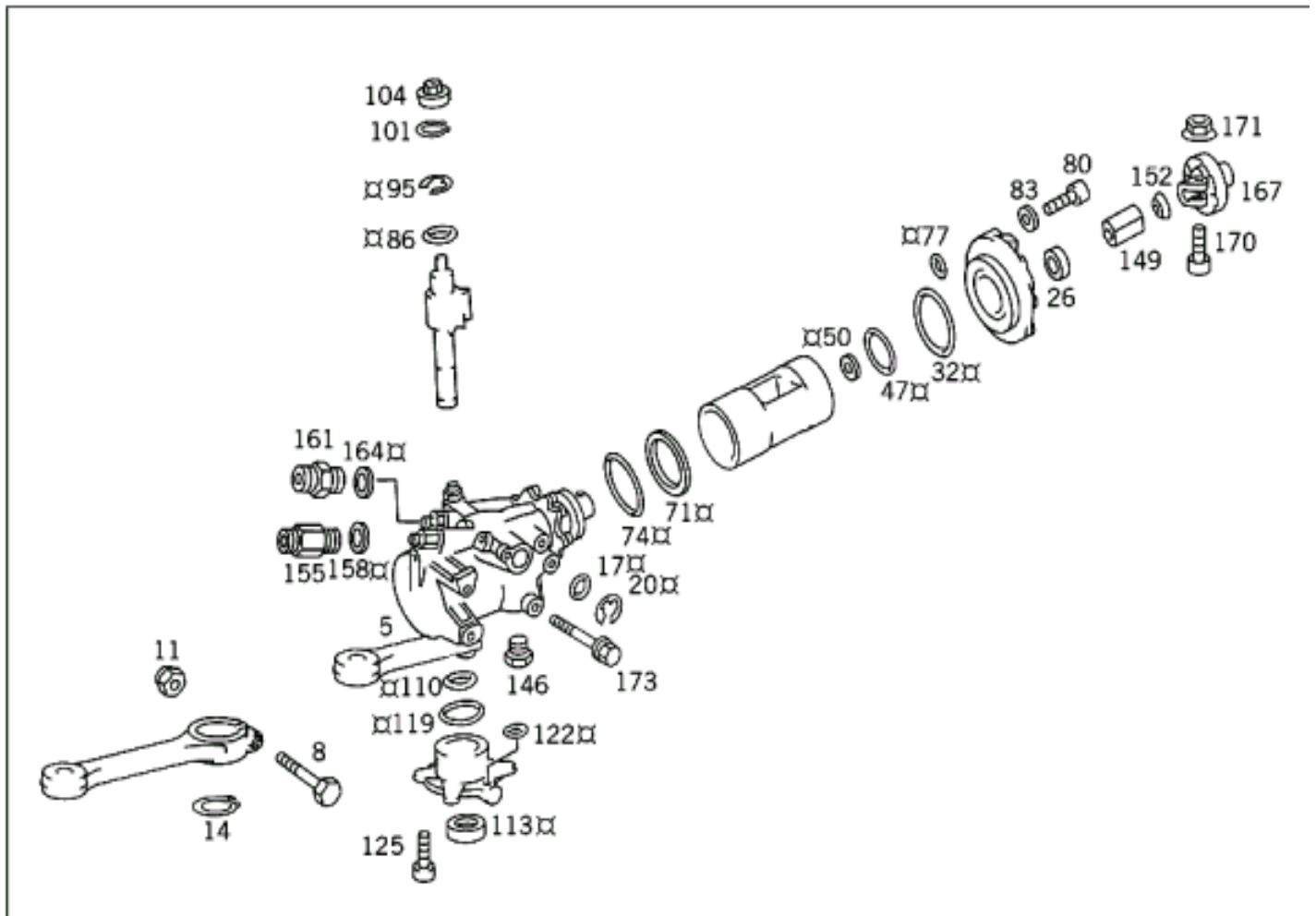
# FOOT OPERATED PARKING BRAKE



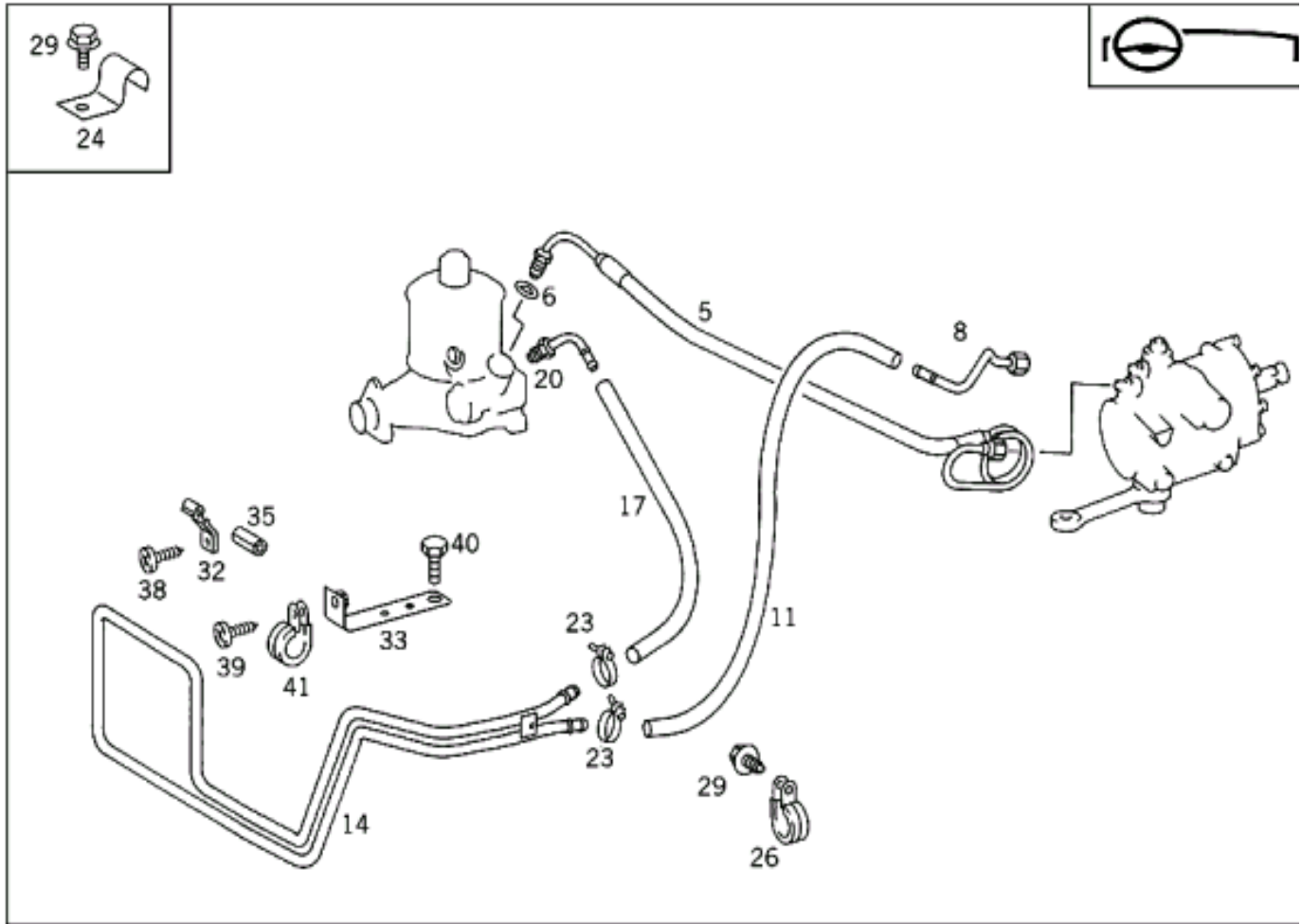
FOOT OPERATED PARKING BRAKE



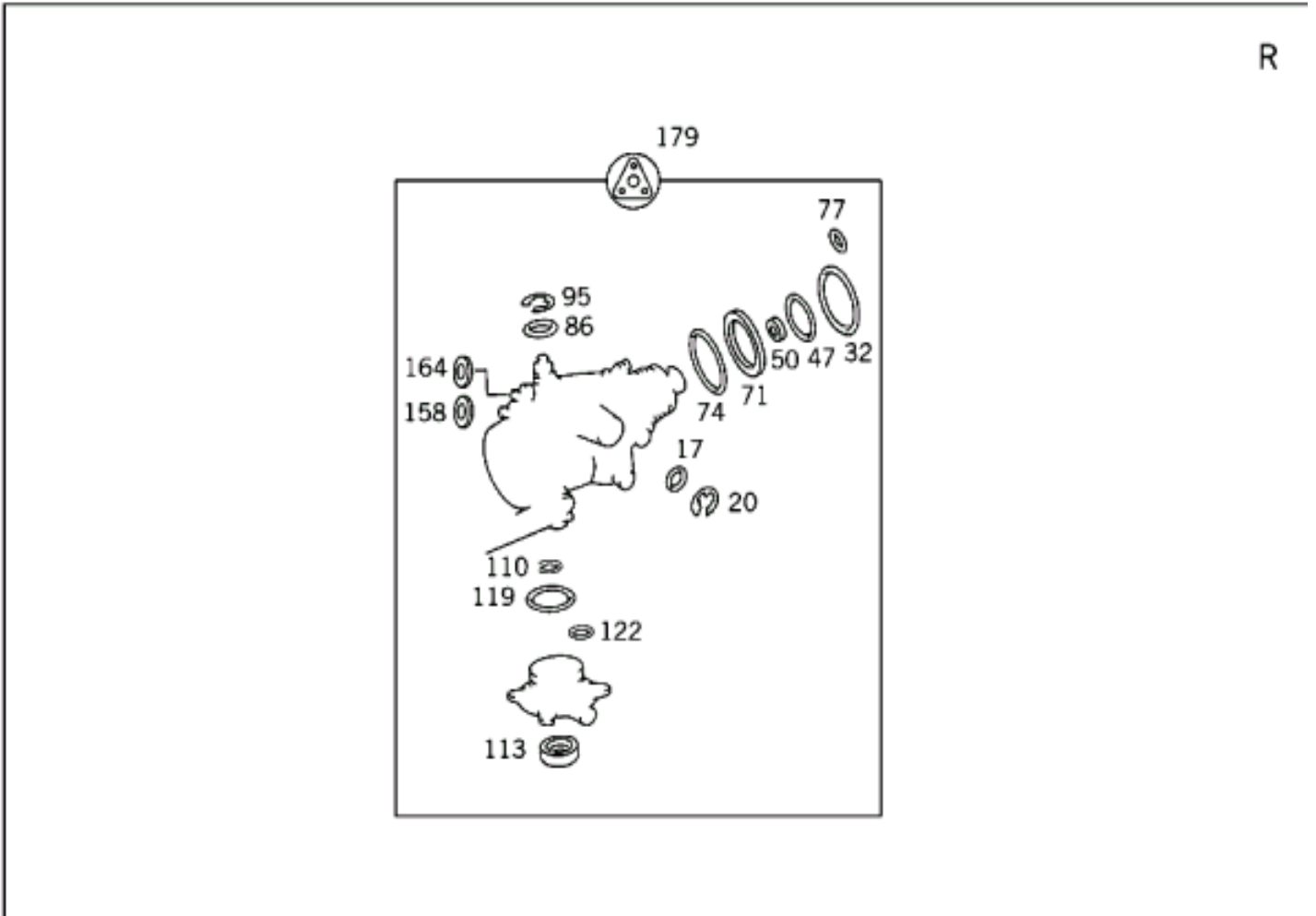
STEERING GEAR



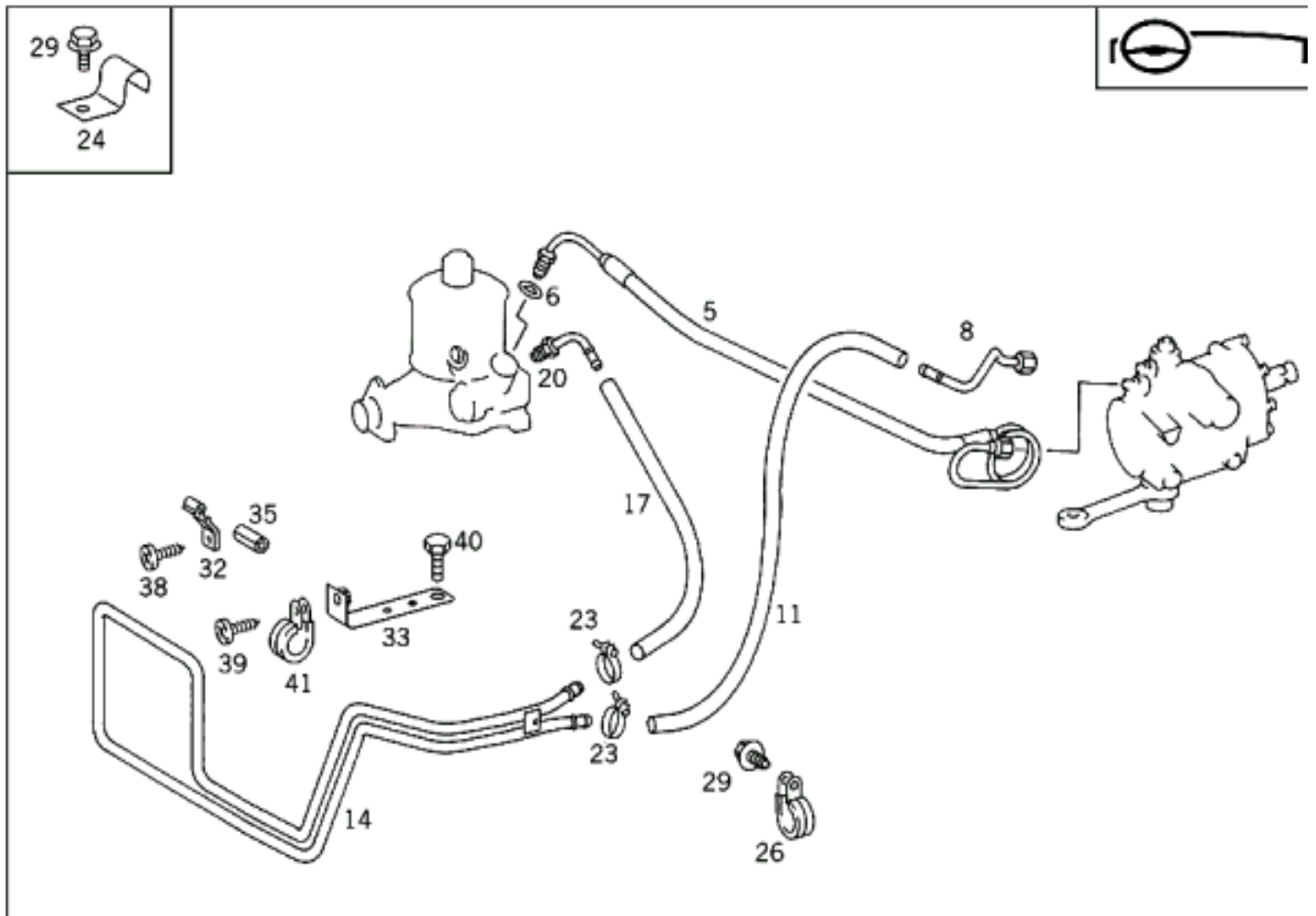
# STEERING GEAR RANGE OF LINES



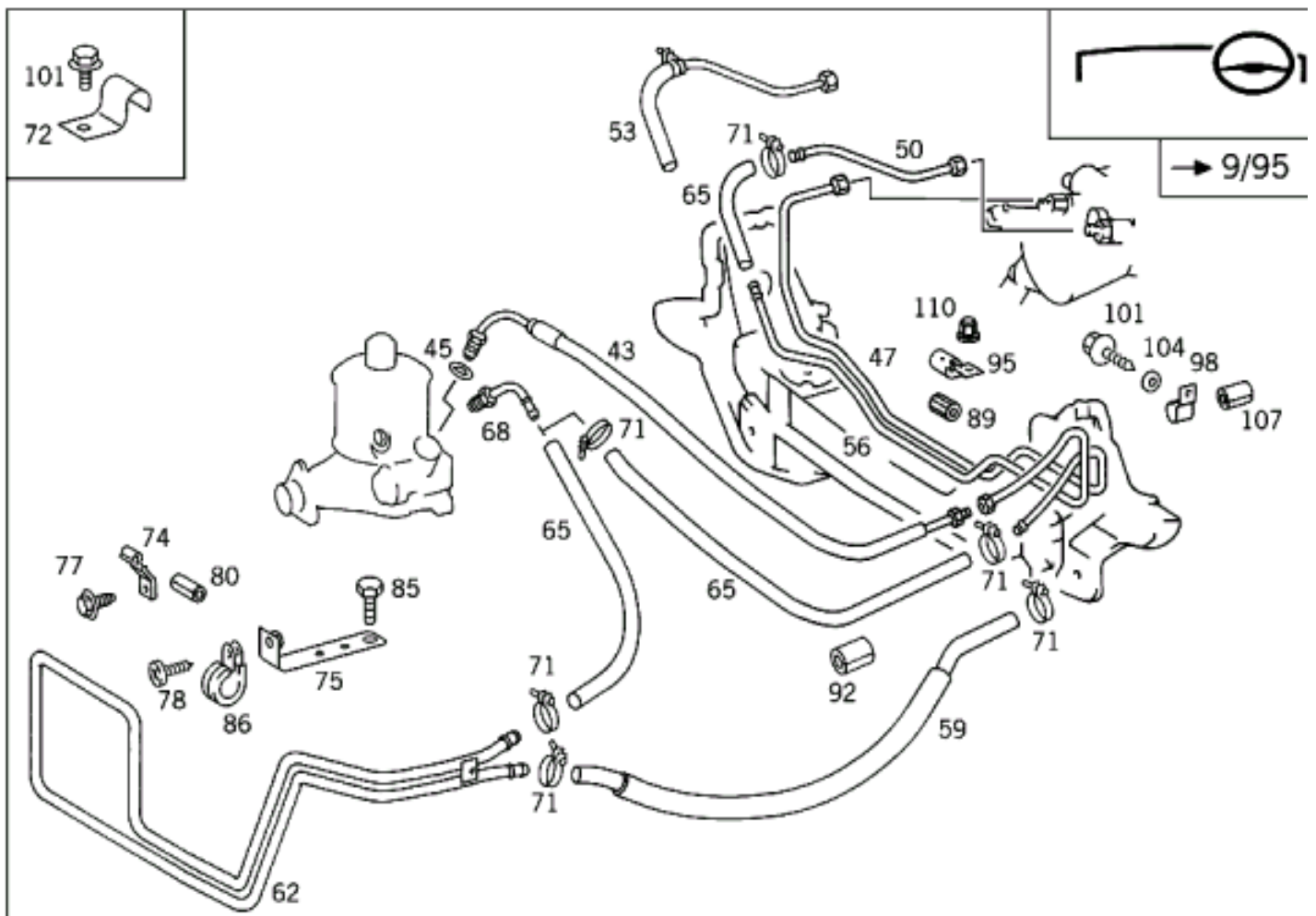
# STEERING GEAR



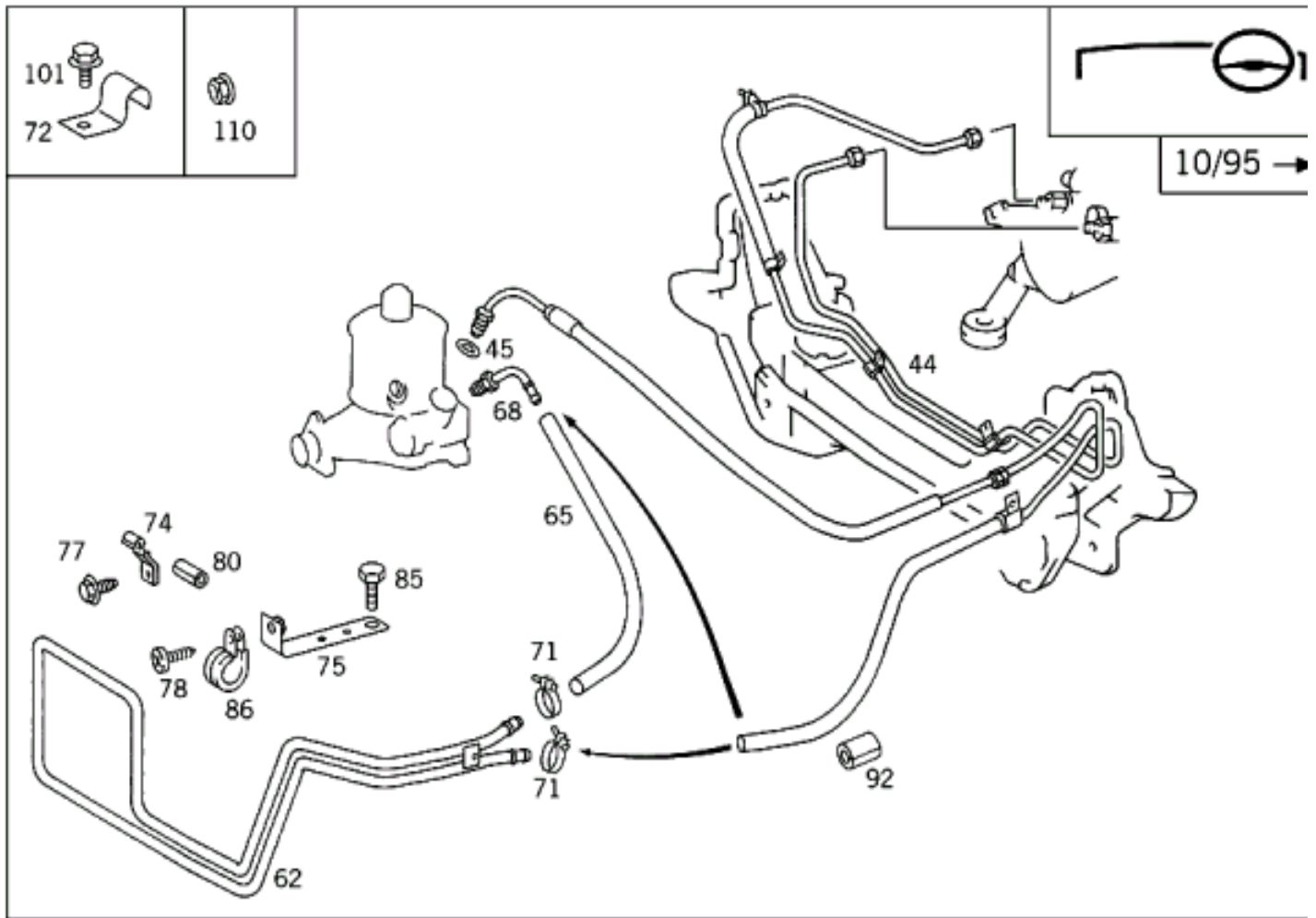
STEERING GEAR RANGE OF LINES



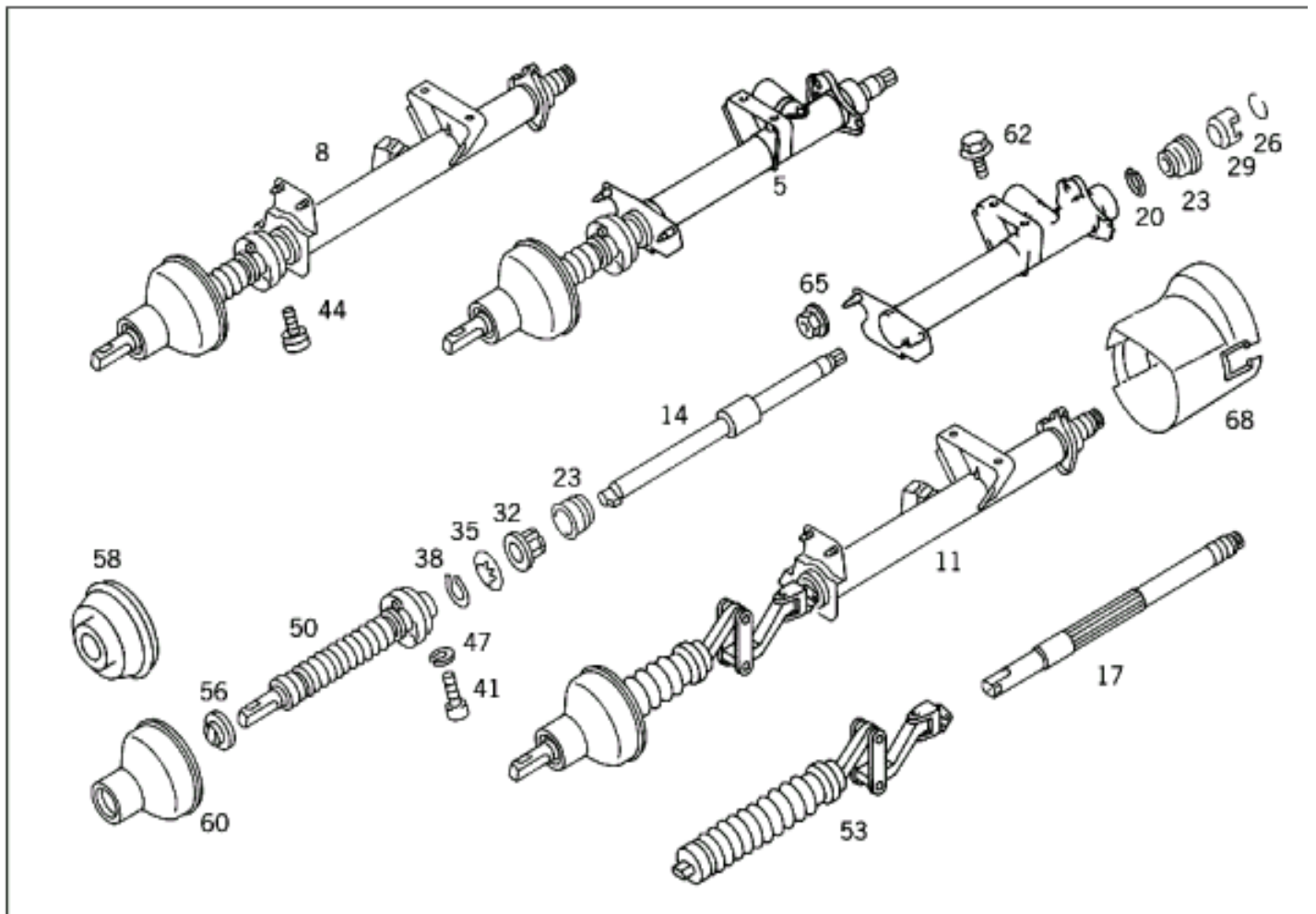
STEERING GEAR RANGE OF LINES



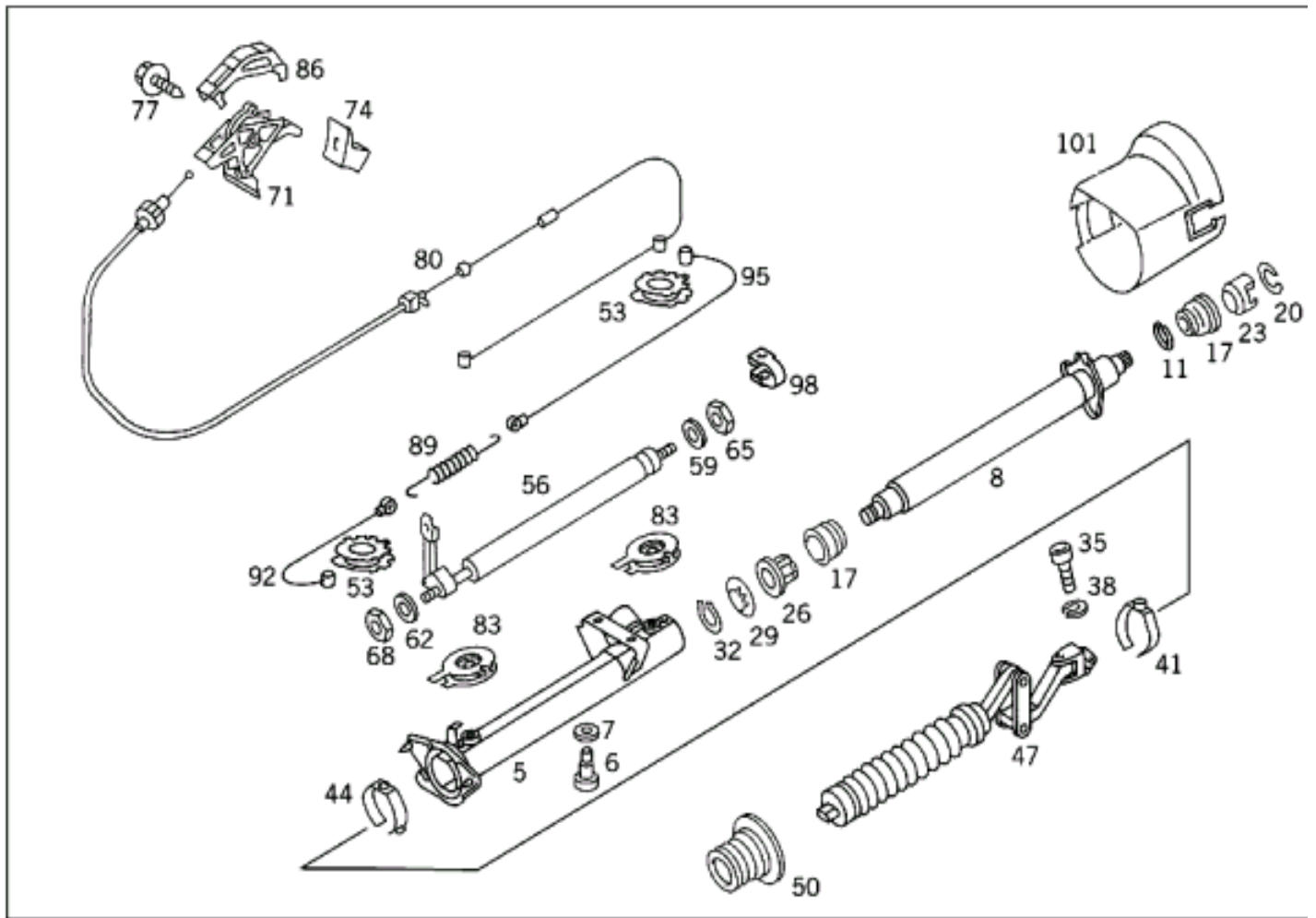
# STEERING GEAR RANGE OF LINES



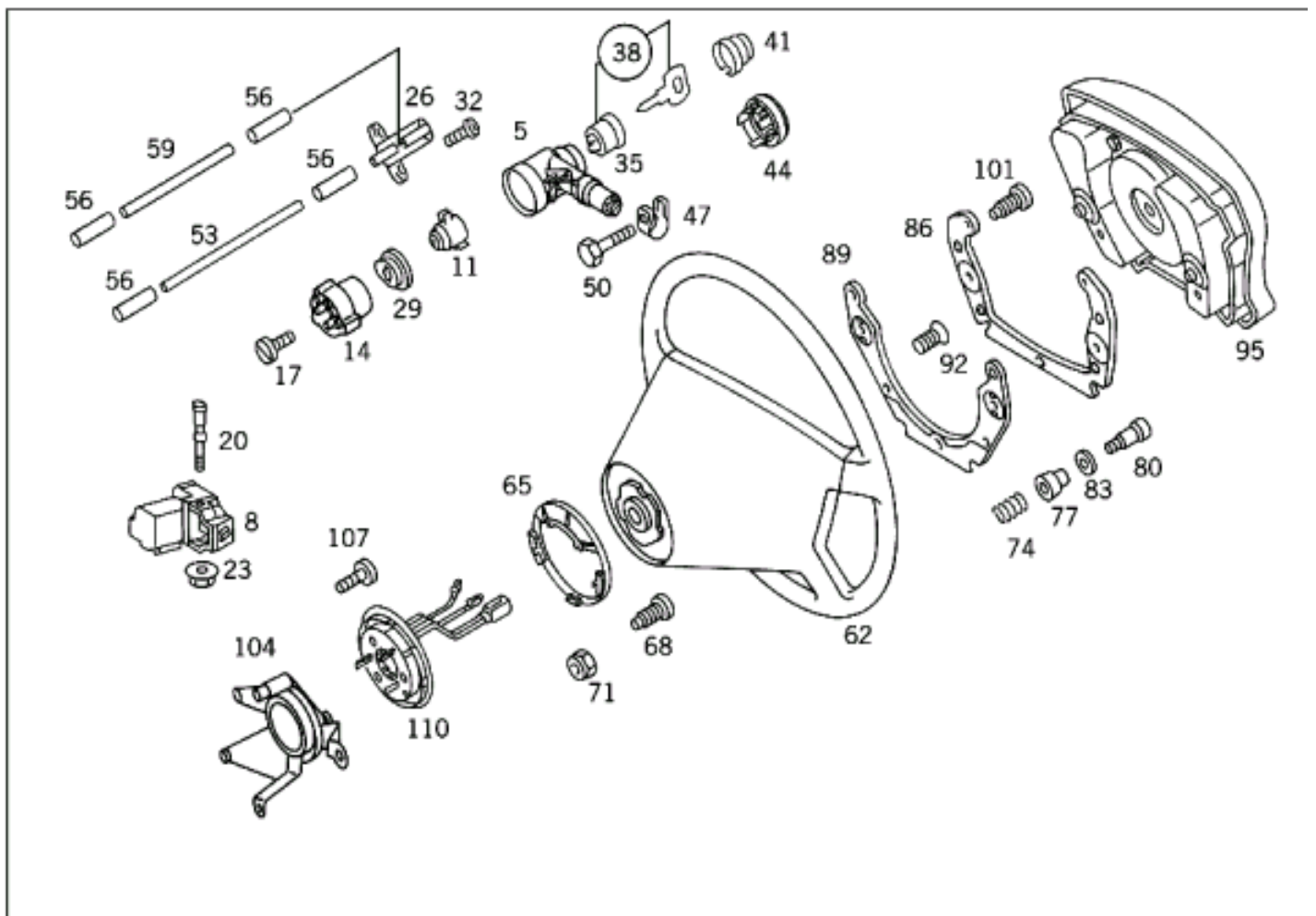
# STEERING COLUMN JACKET TUBE AND STEERING SHAFT



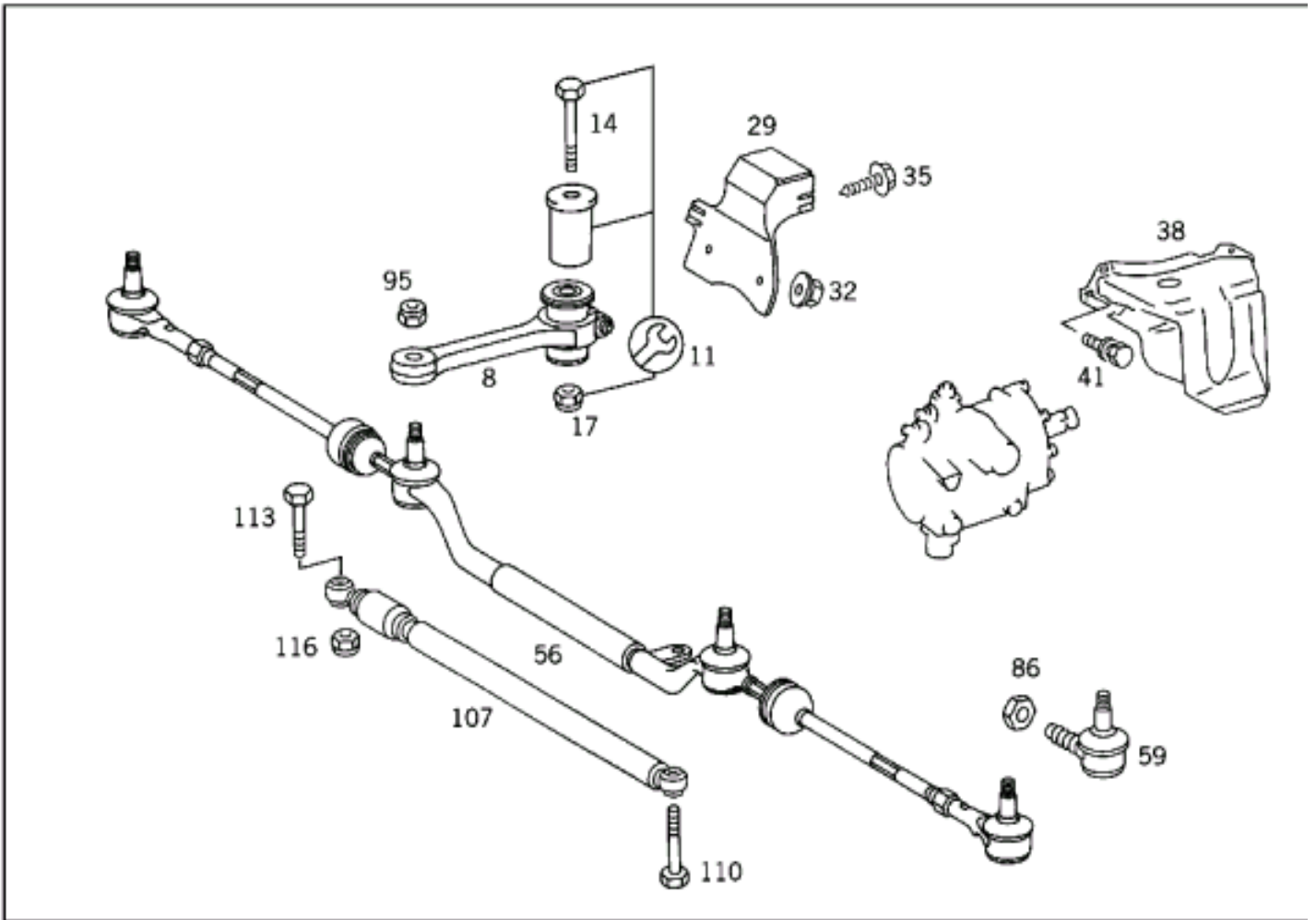
## STEERING COLUMN JACKET TUBE AND STEERING SHAFT



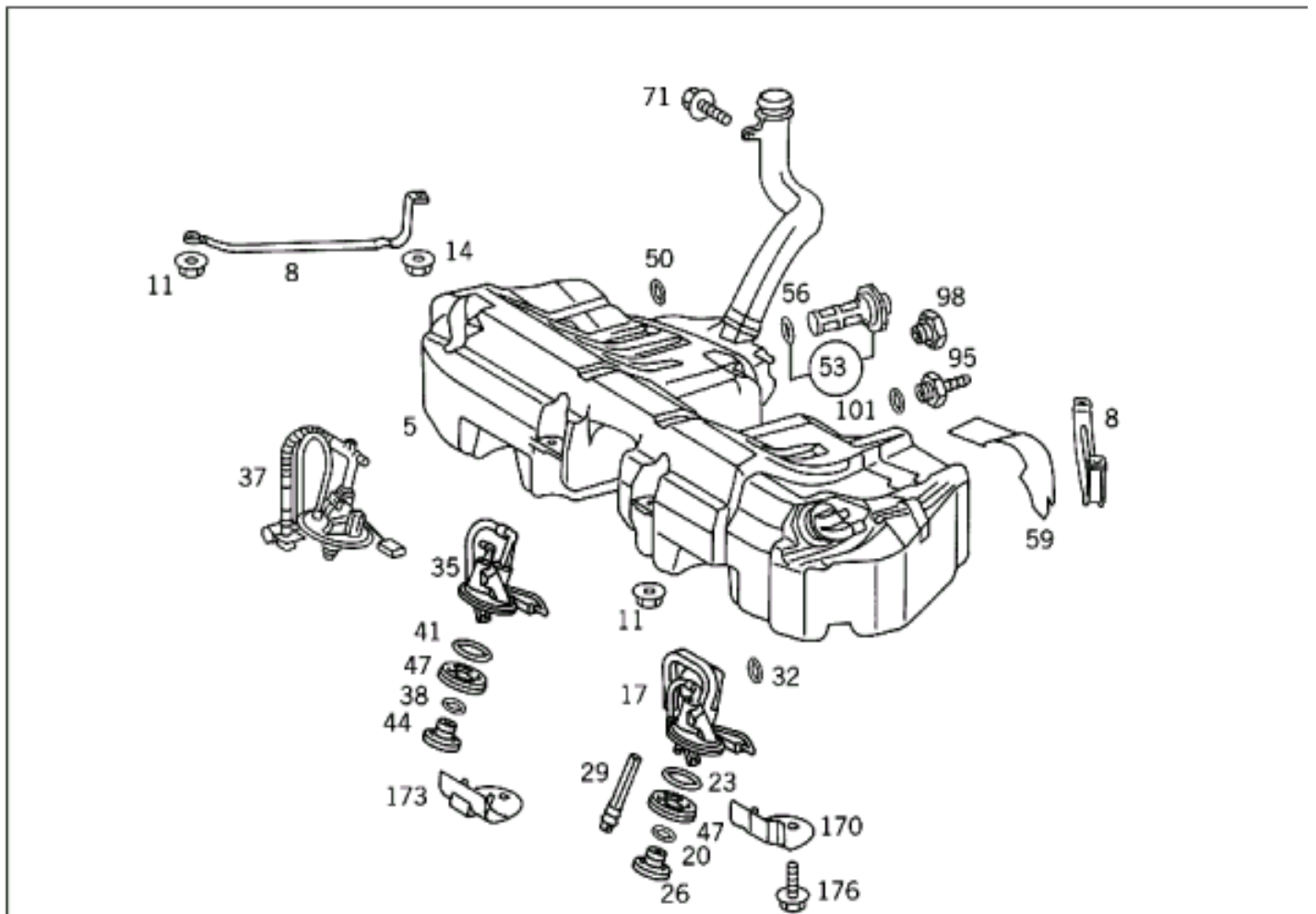
## STEERING WHEEL AND STEERING LOCK



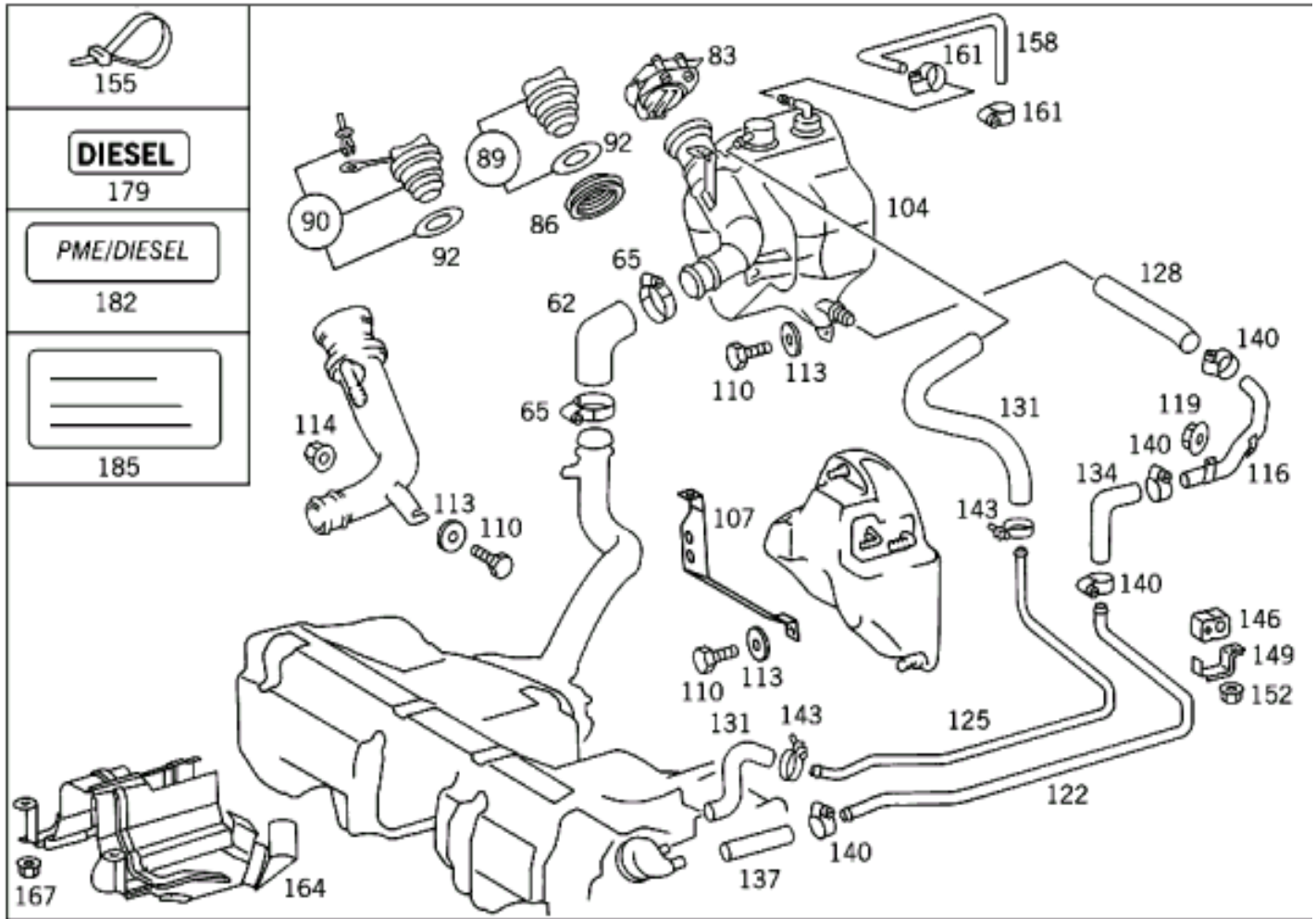
# STEERING LINKAGE



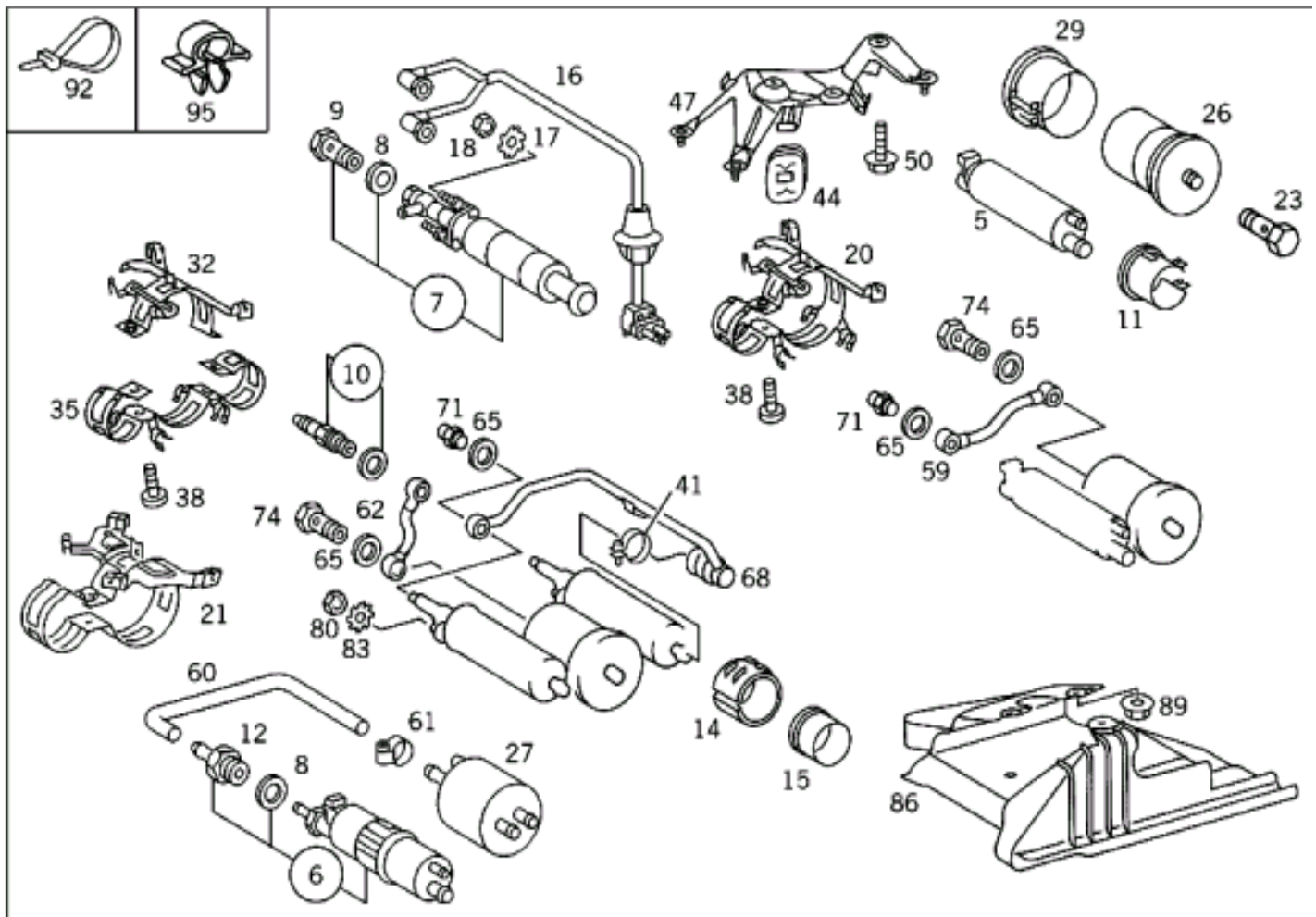
# FUEL TANK WITH ATTACHMENTS PARTS



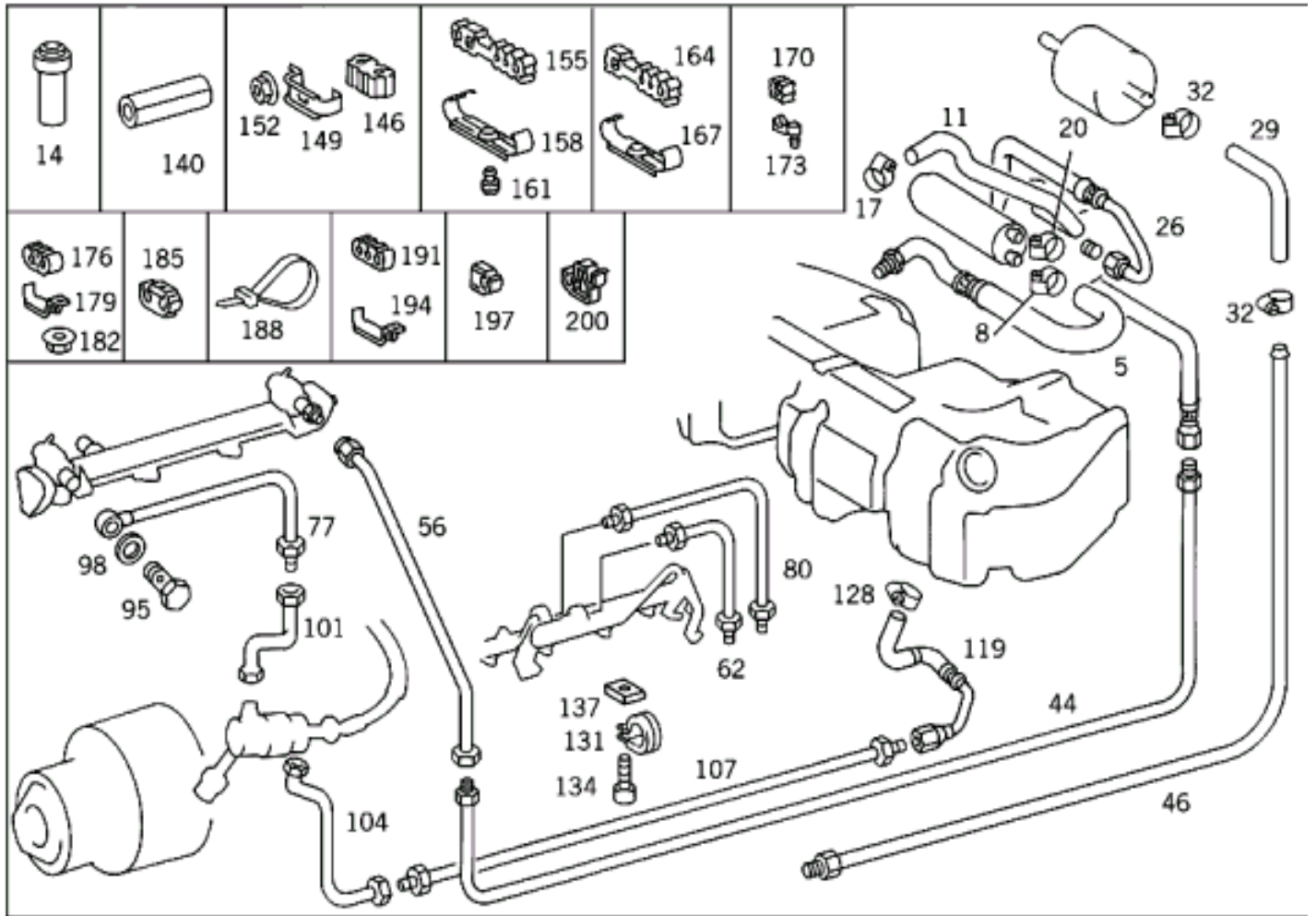
# FUEL TANK WITH ATTACHMENTS PARTS



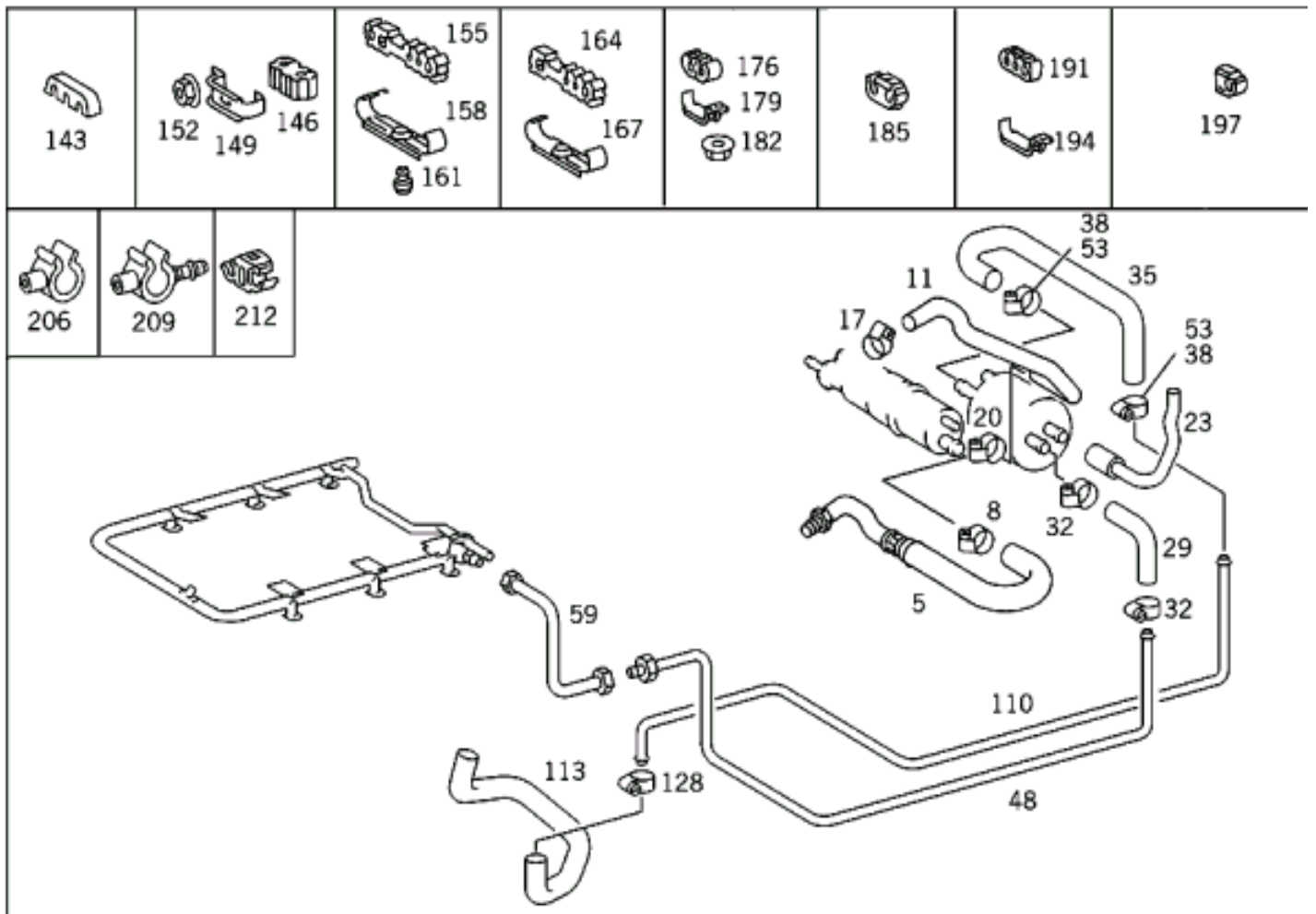
# FUEL PUMP PACKAGE



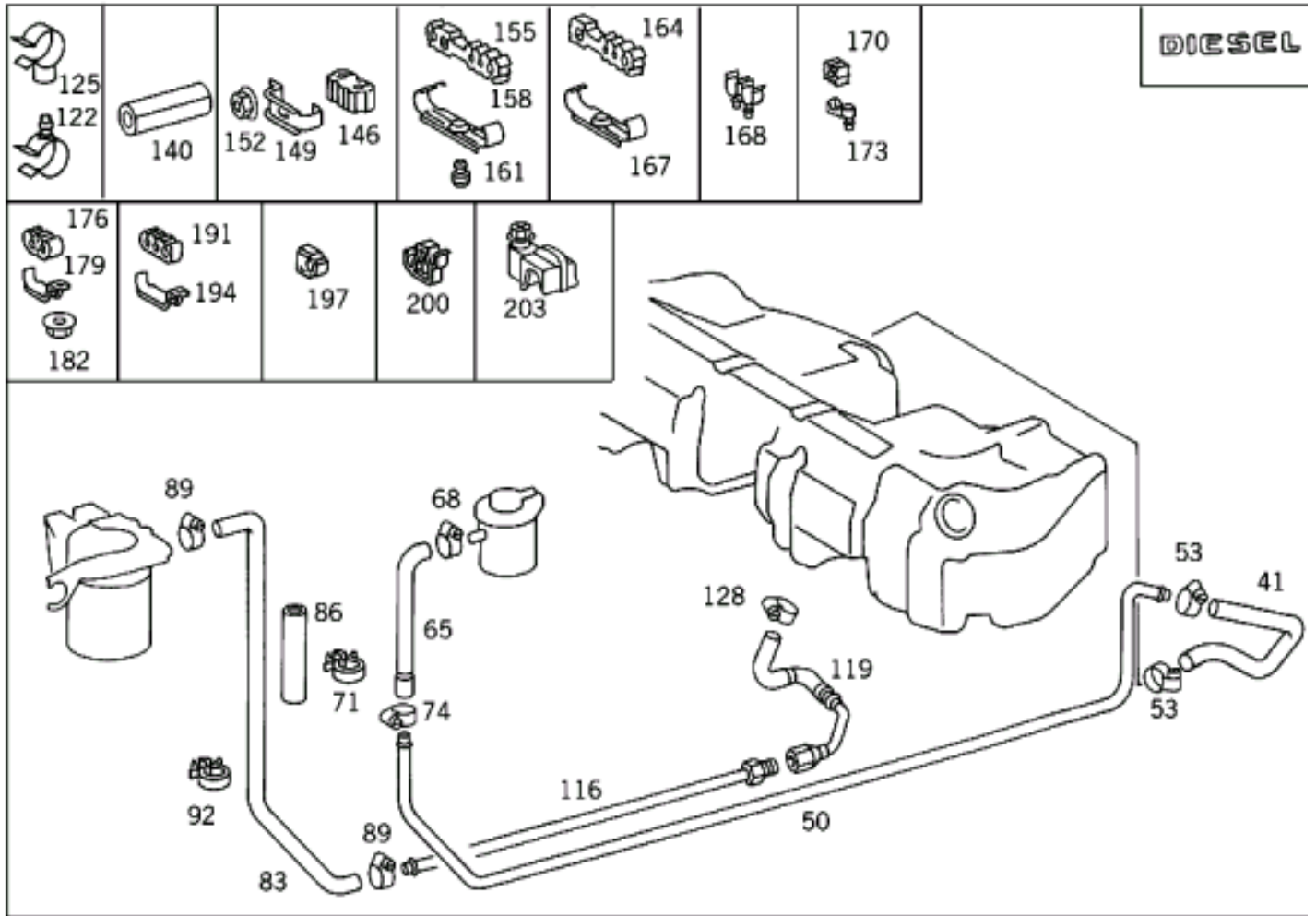
# FUEL LINES



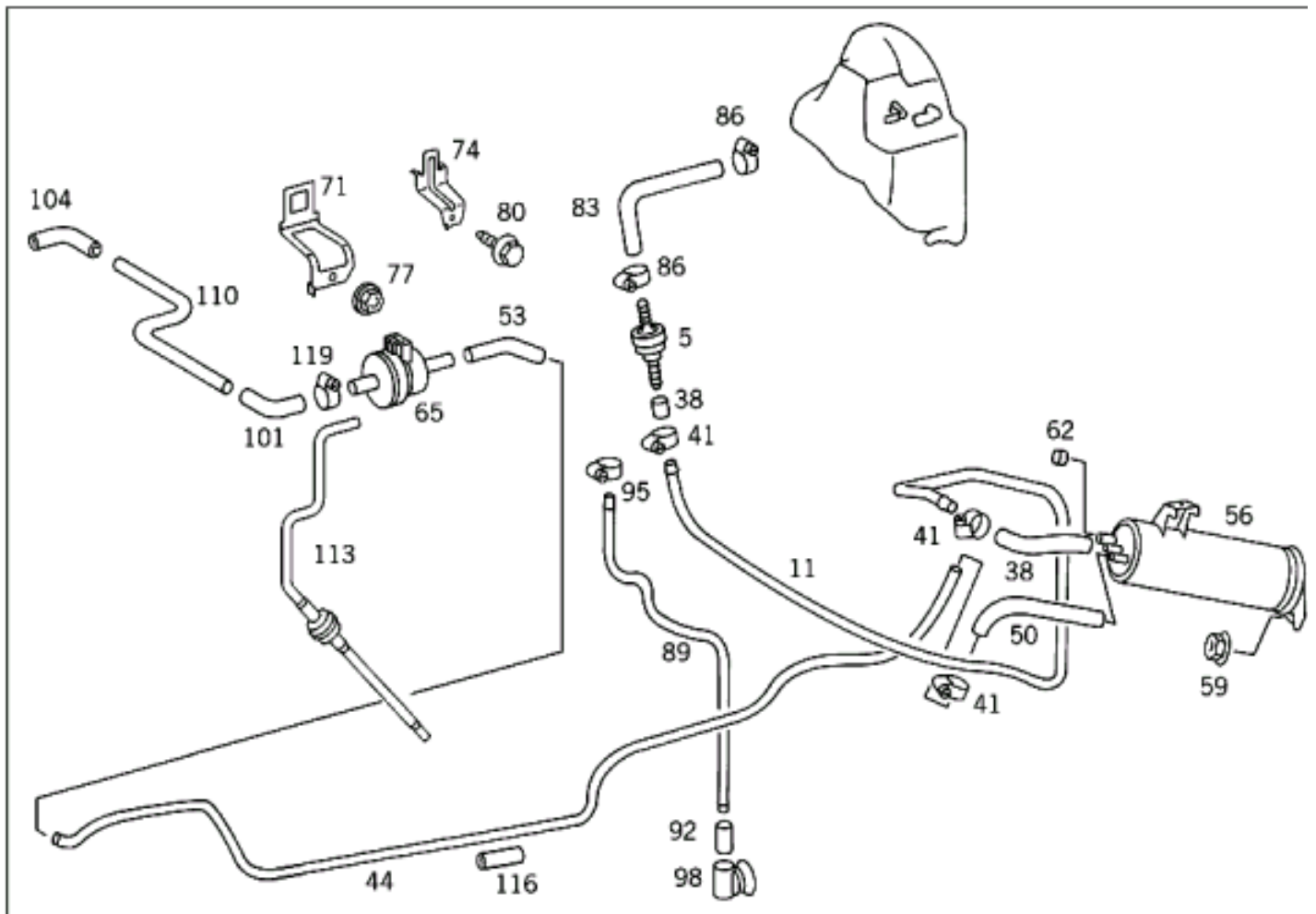
# FUEL LINES



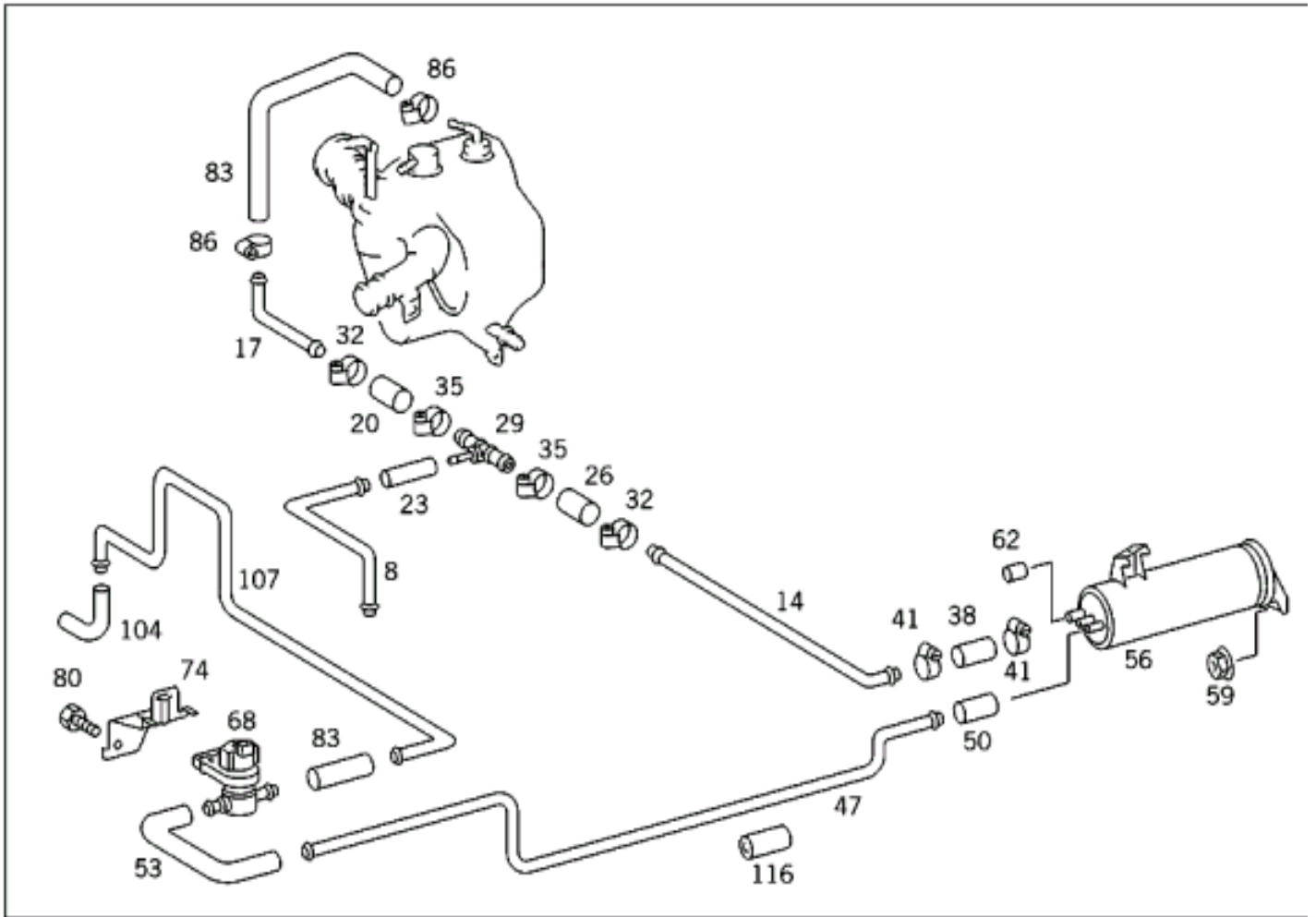
FUEL LINES



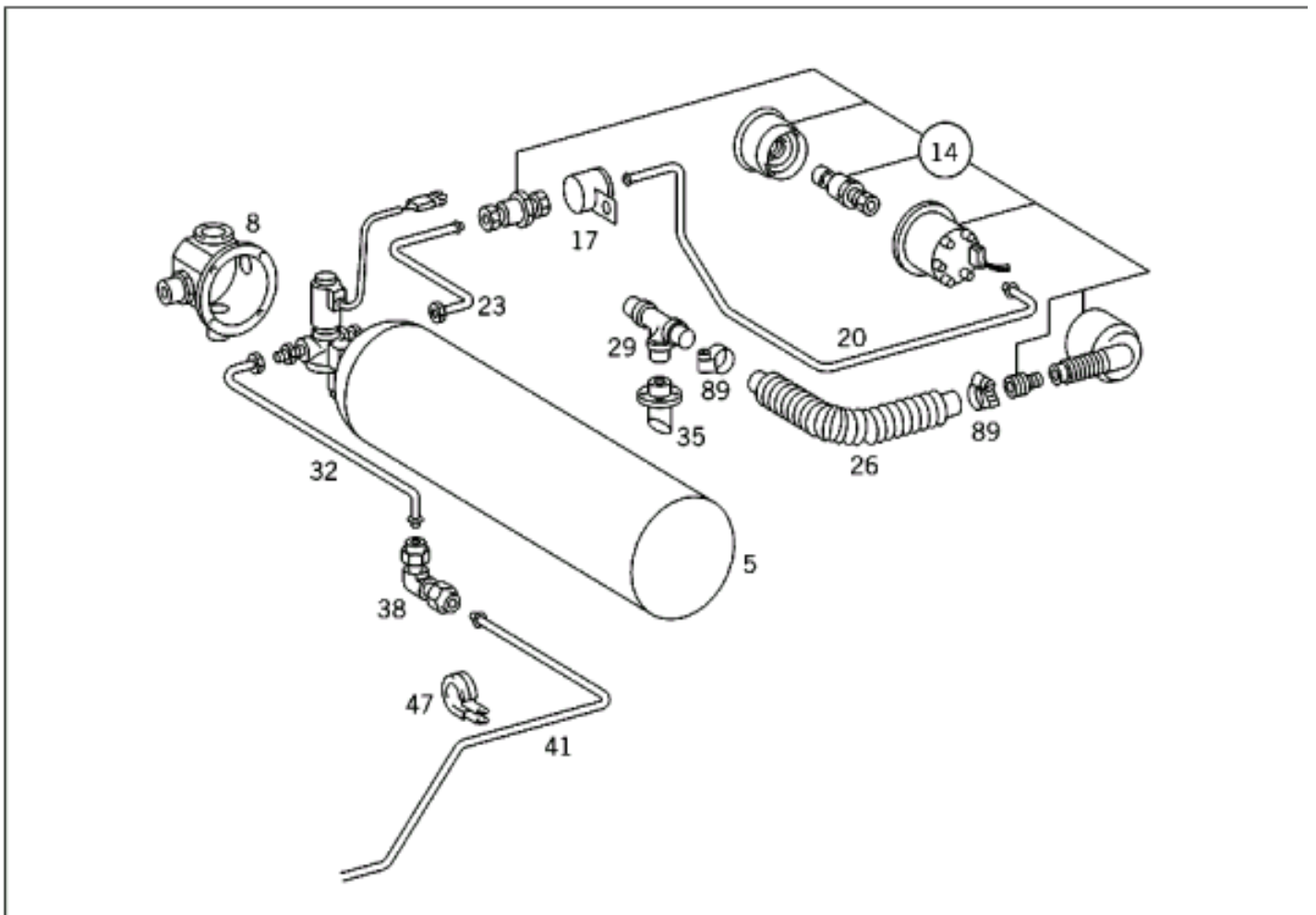
CLOSED FUEL EVAPORATION CONTROL SYSTEM



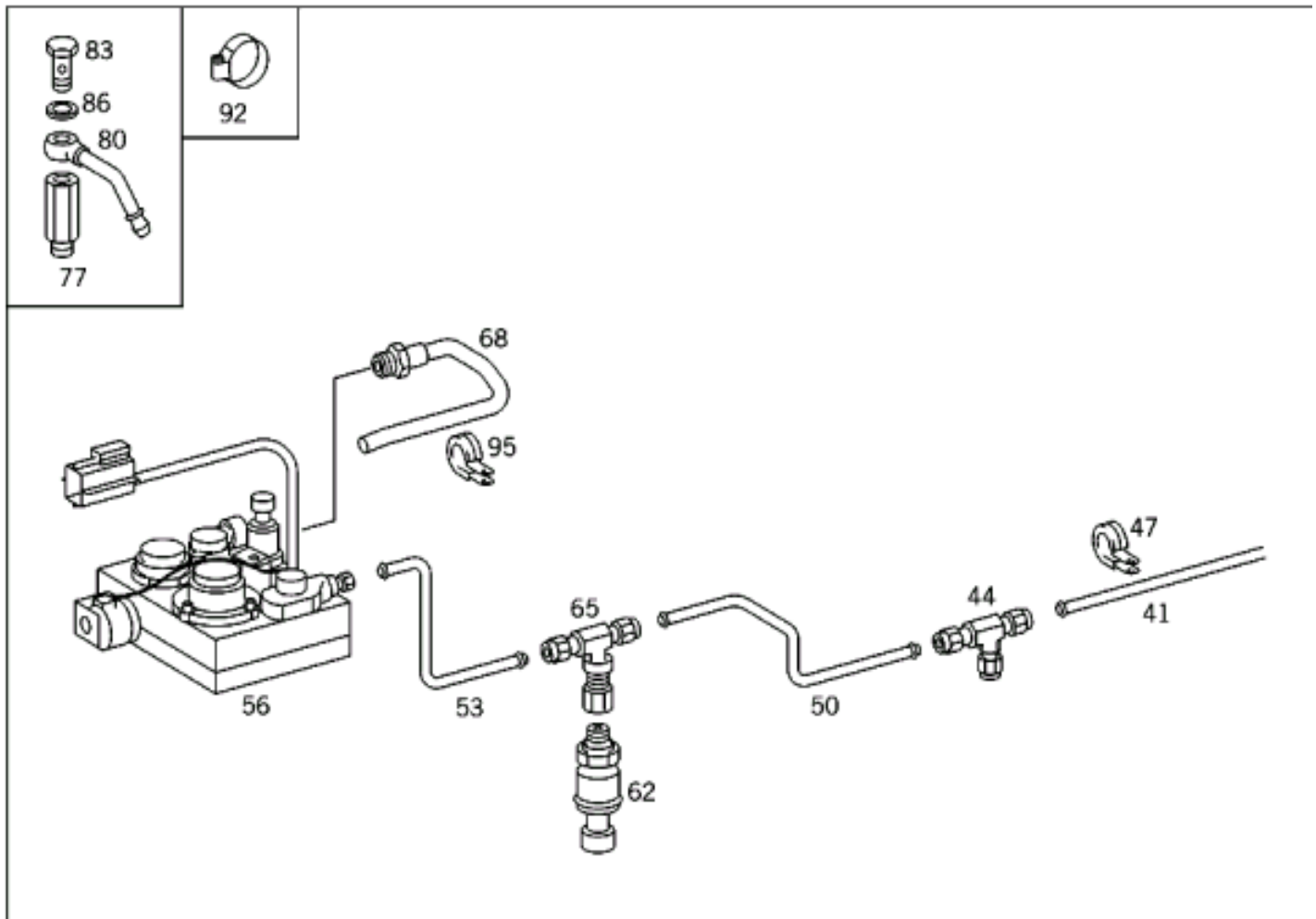
# CLOSED FUEL EVAPORATION CONTROL SYSTEM



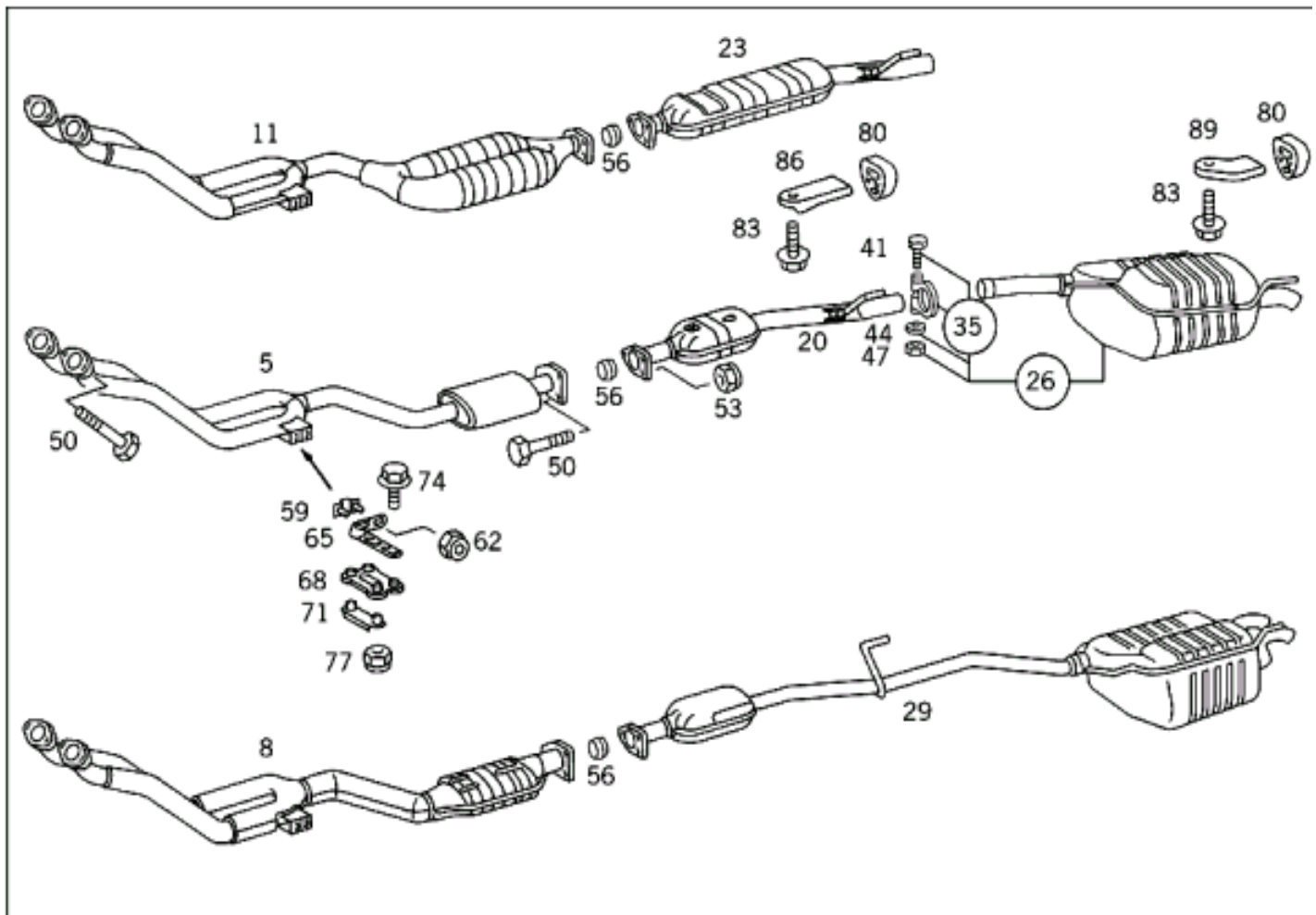
## ADDITIONAL PARTS FOR GAS OPERATION



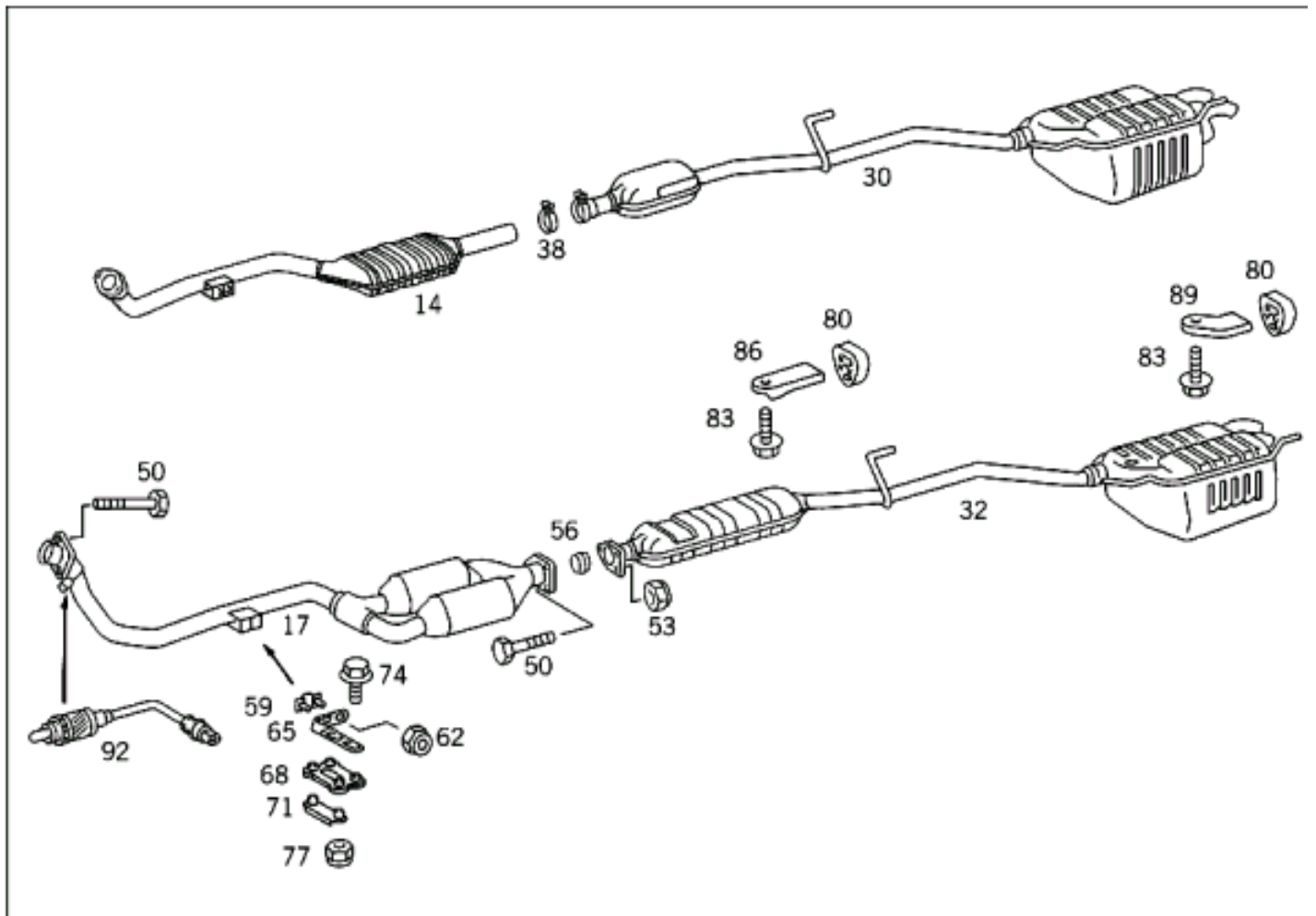
# ADDITIONAL PARTS FOR GAS OPERATION



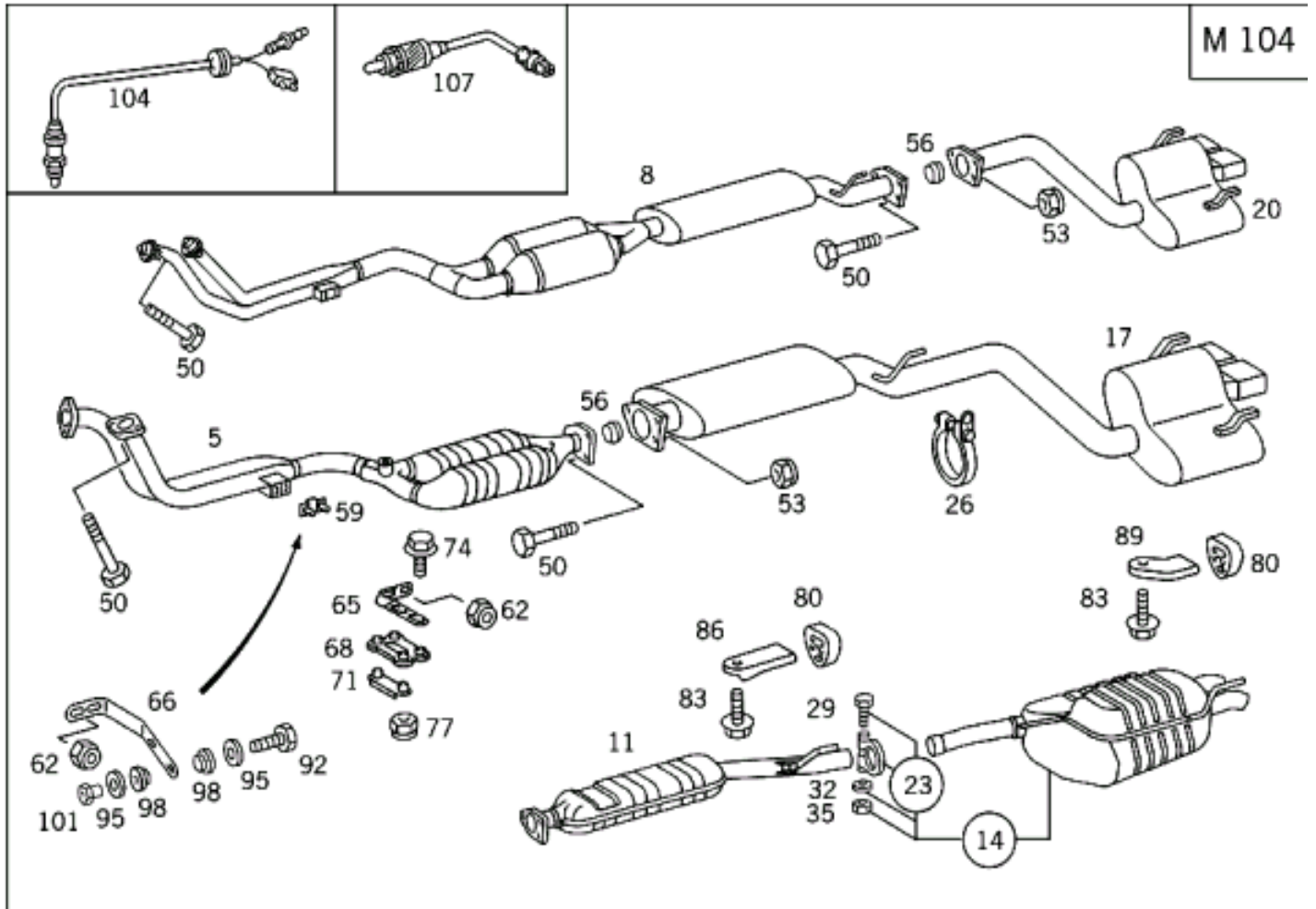
# EXHAUST SYSTEM USED ON FOUR CYLINDERS GASOLINE VEHICLES



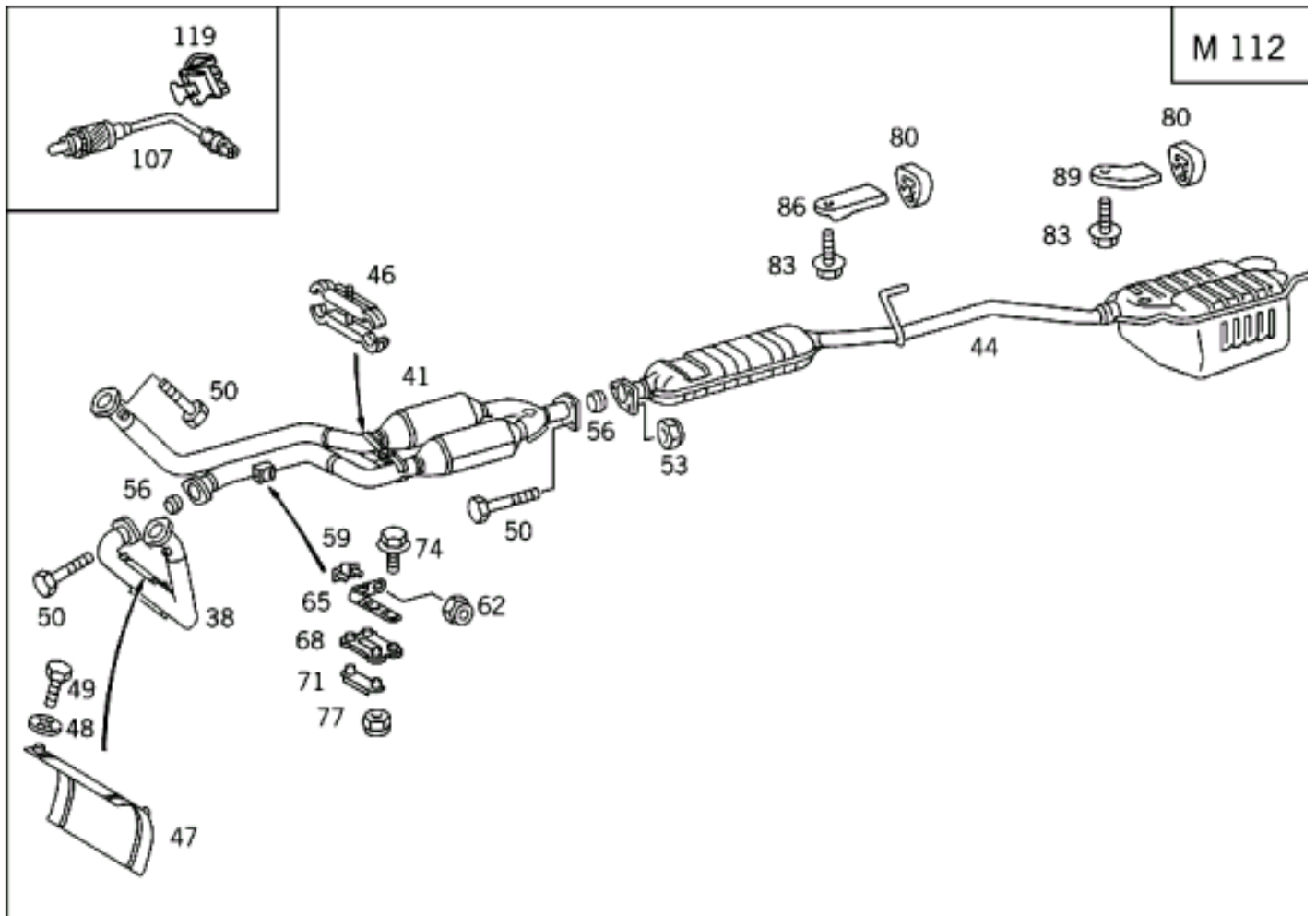
EXHAUST SYSTEM USED ON FOUR CYLINDERS GASOLINE VEHICLES



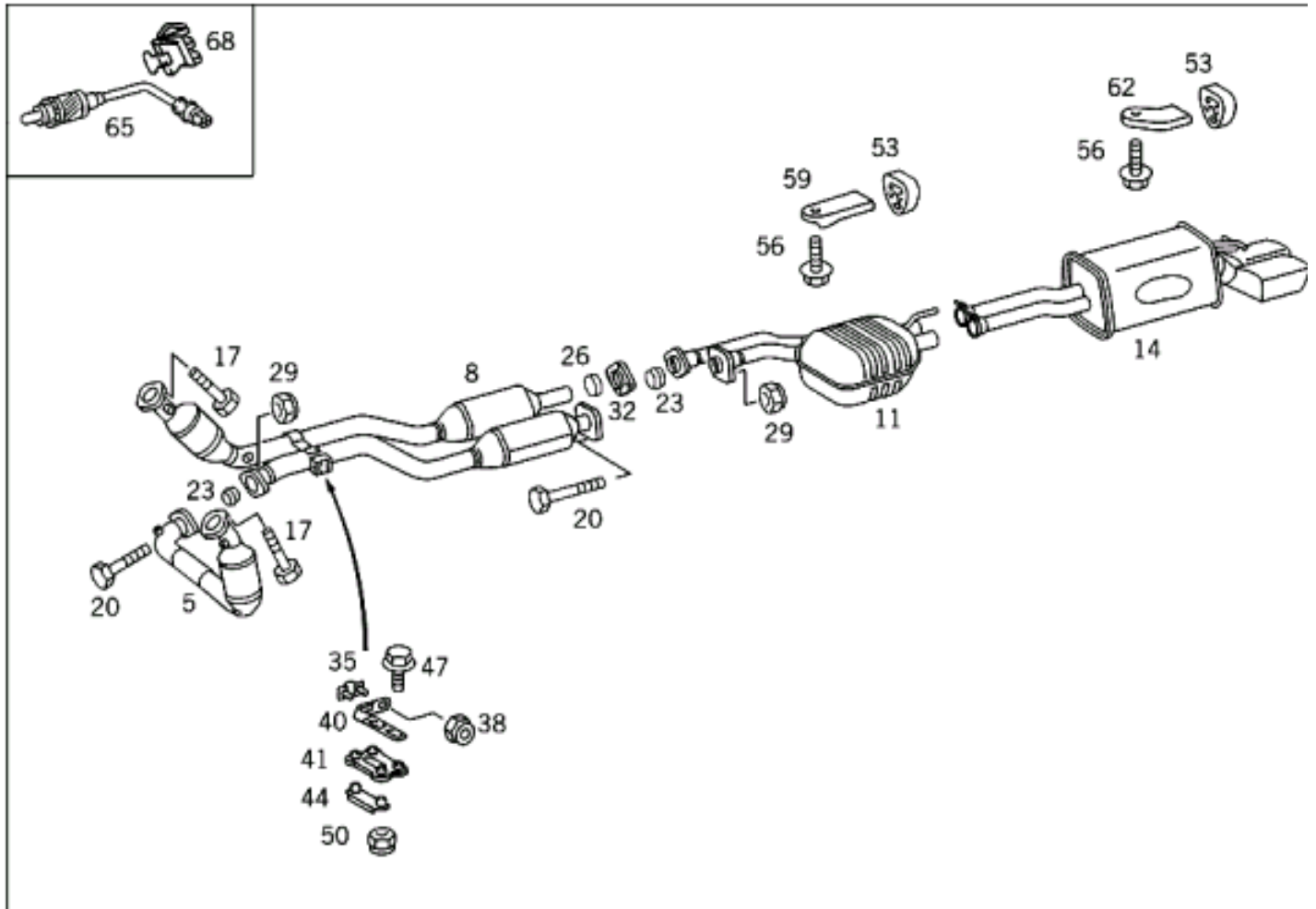
EXHAUST SYSTEM USED ON SIX CYLINDERS GASOLINE VEHICLES



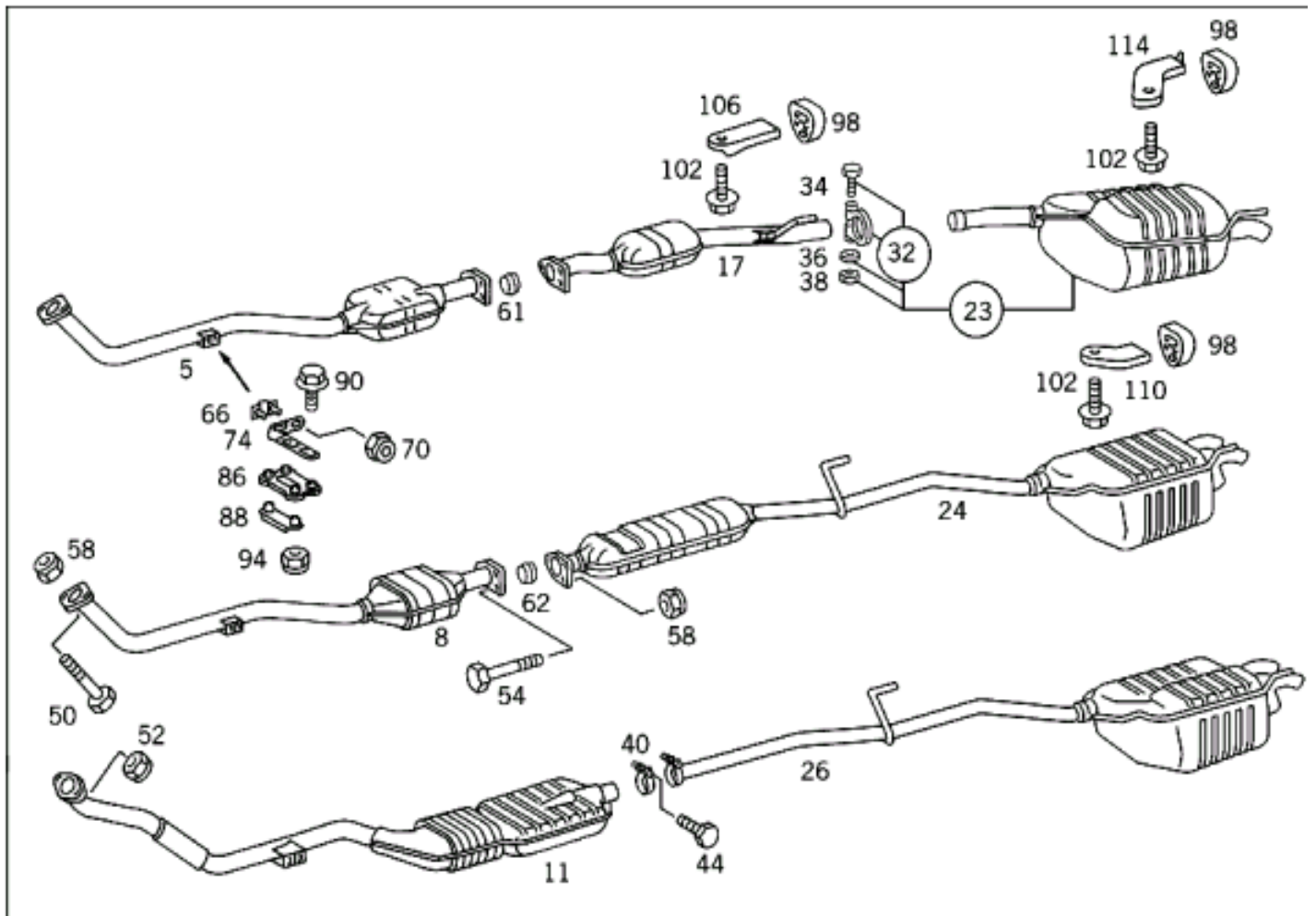
EXHAUST SYSTEM USED ON SIX CYLINDERS GASOLINE VEHICLES



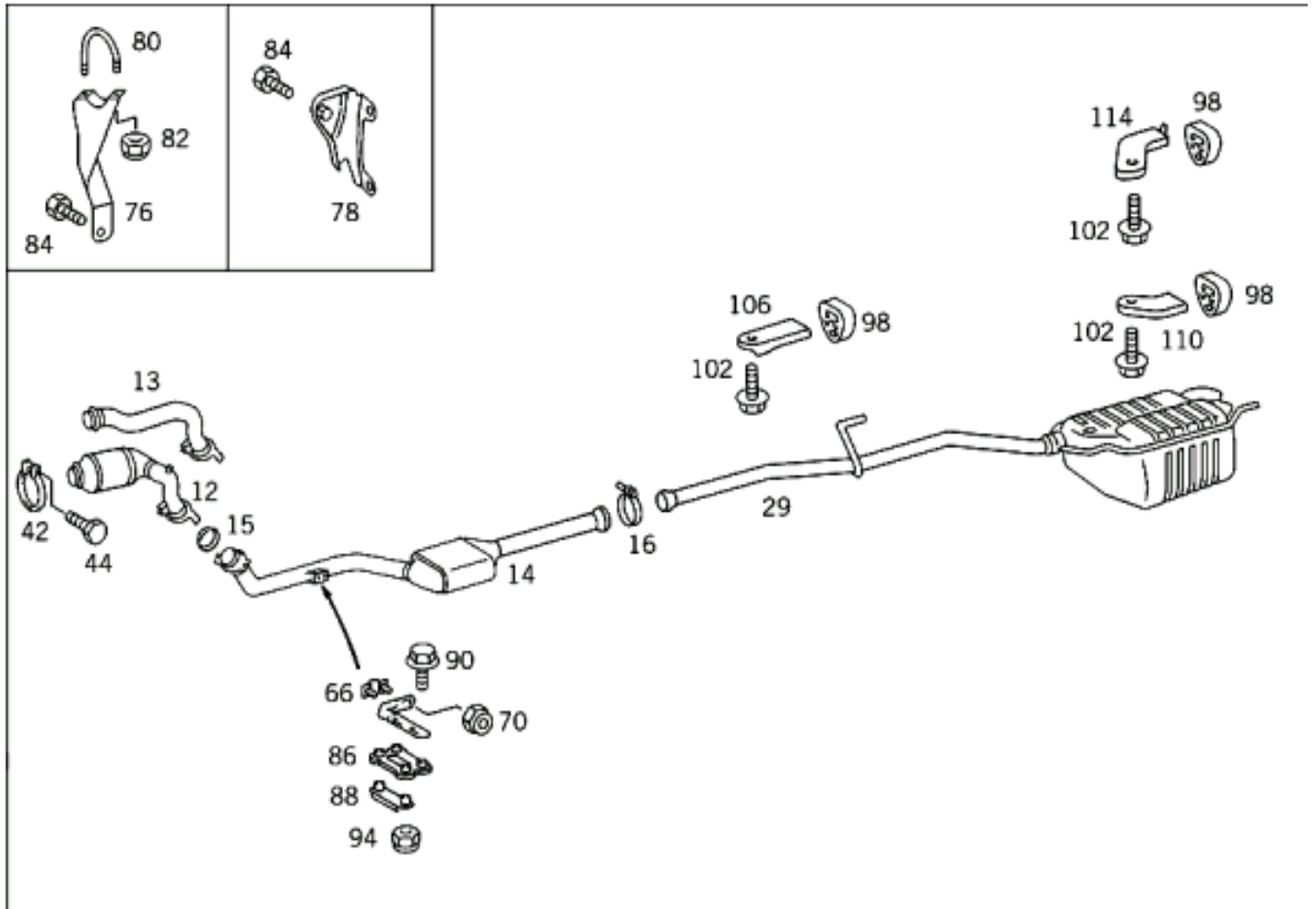
EXHAUST SYSTEM USED ON EIGHT CYLINDERS GASOLINE VEHICLES



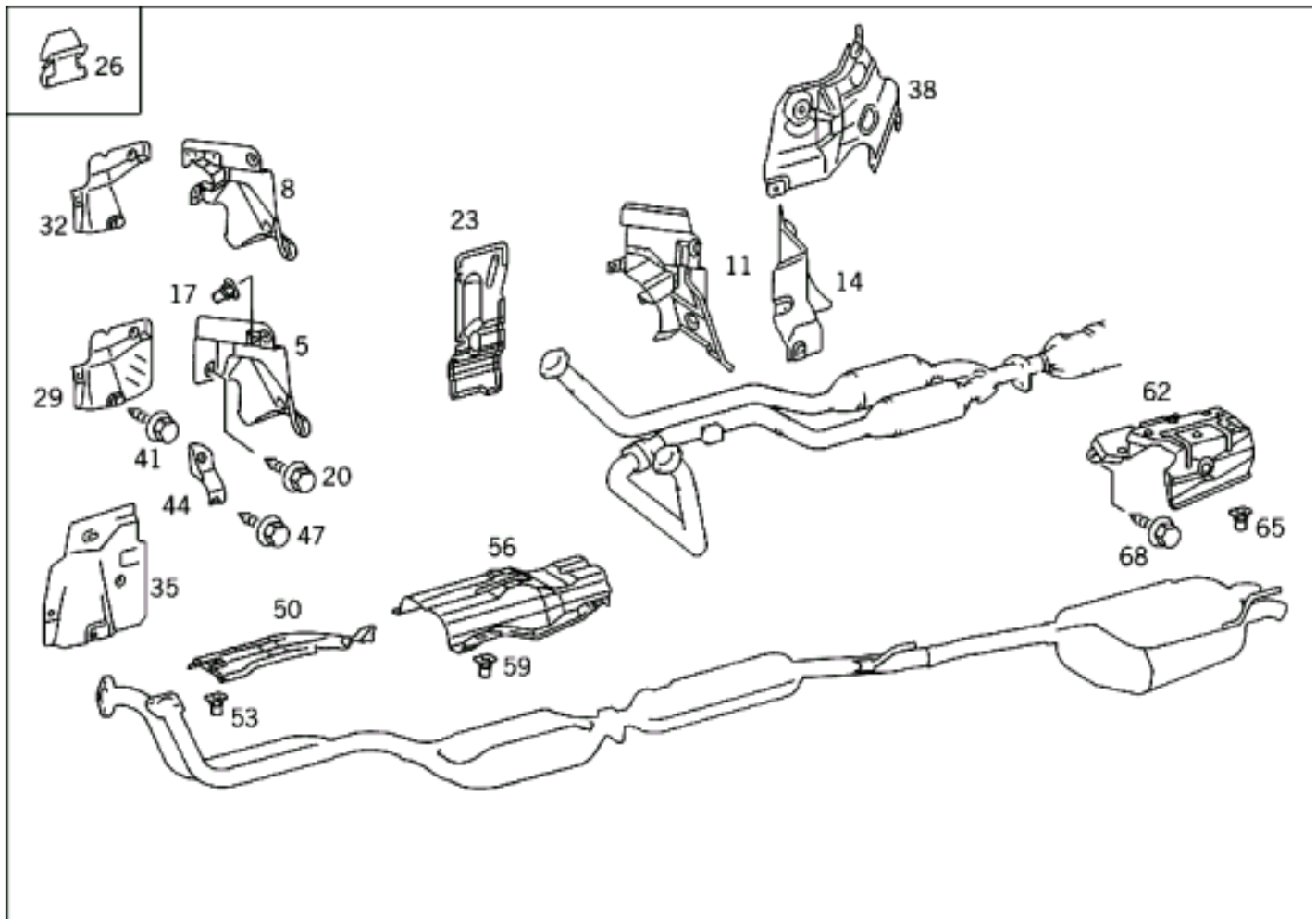
EXHAUST SYSTEM ON DIESEL VEHICLES



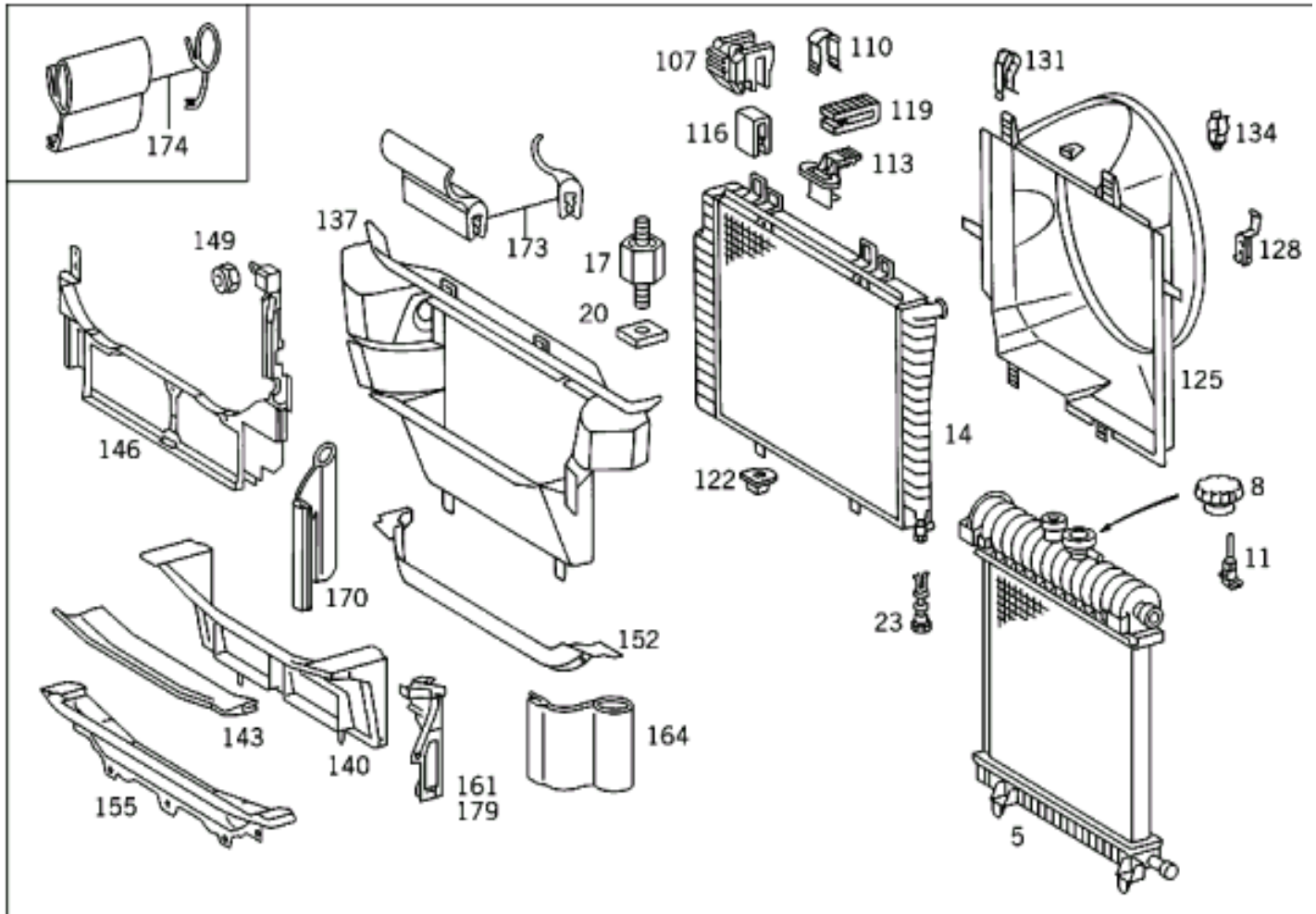
EXHAUST SYSTEM ON DIESEL VEHICLES



# SCREENING PLATES

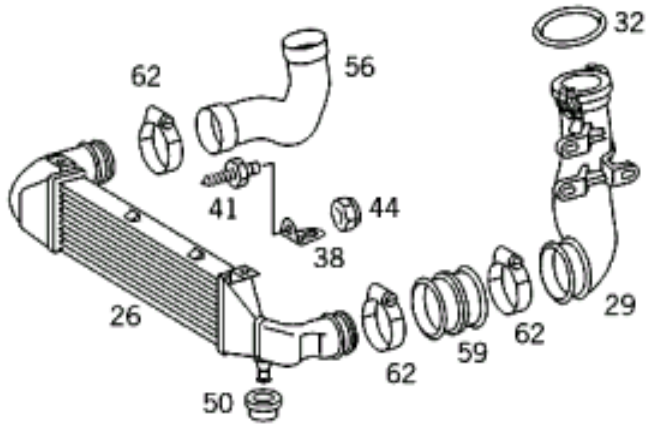


# RADIATOR MOUNTING AND COVERING



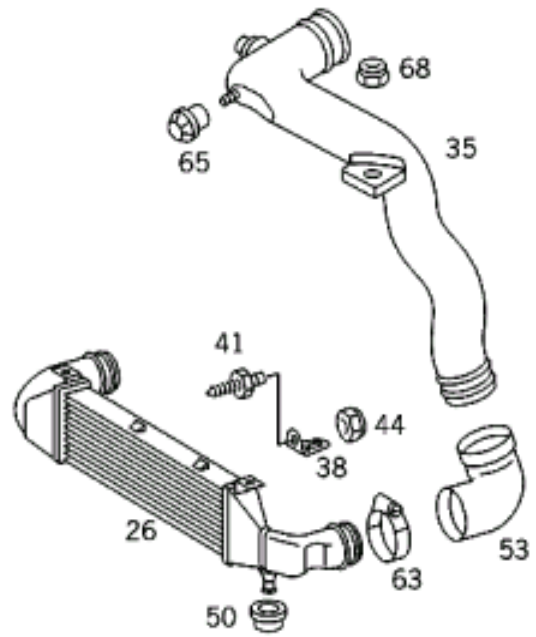
RADIATOR MOUNTING AND COVERING

KOMPRESSOR



TURBO DIESEL

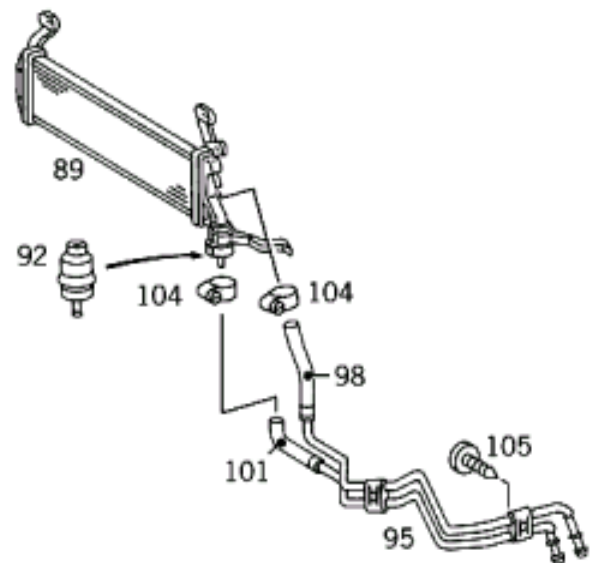
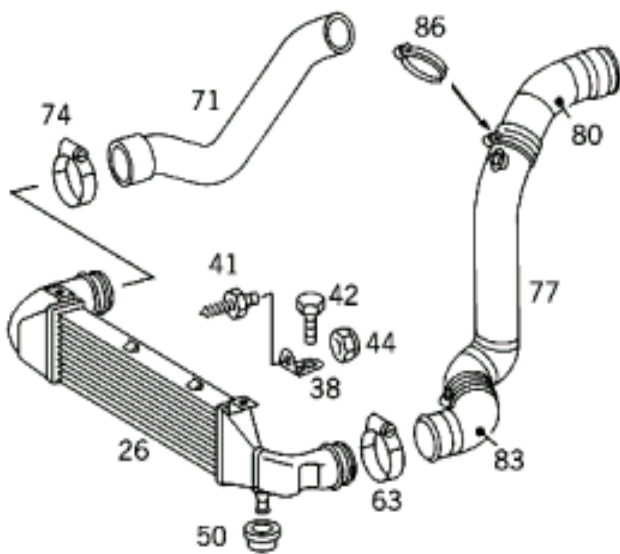
OM 605



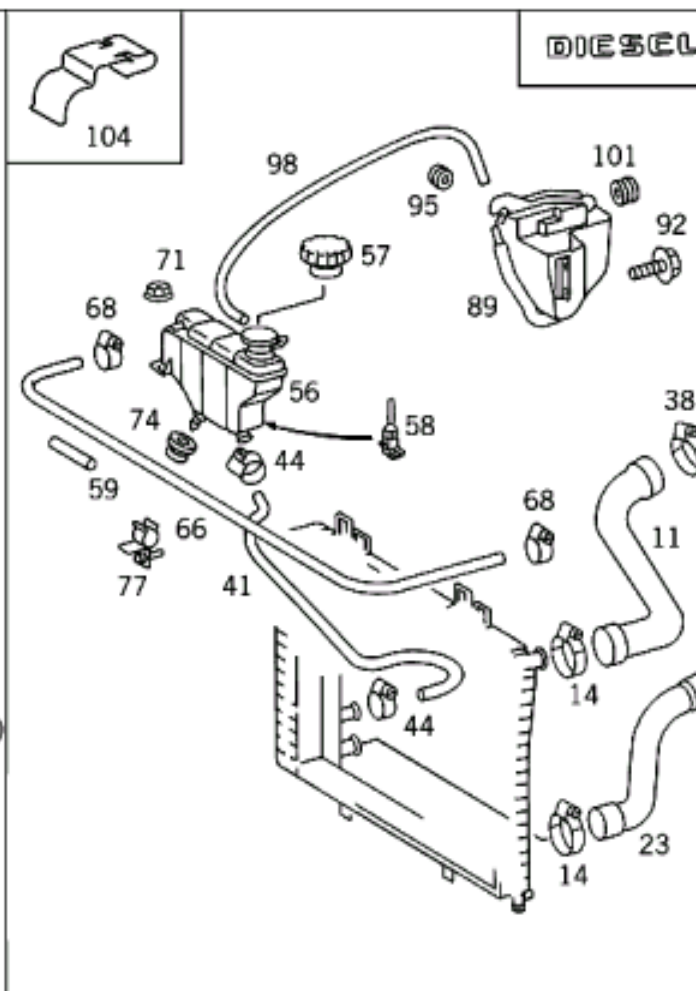
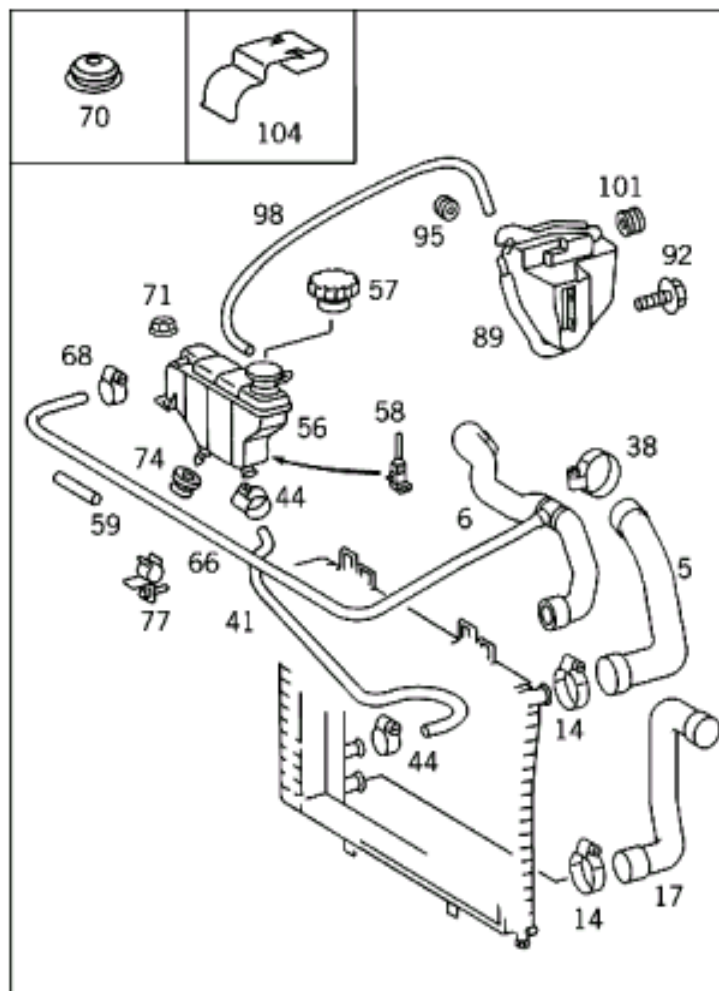
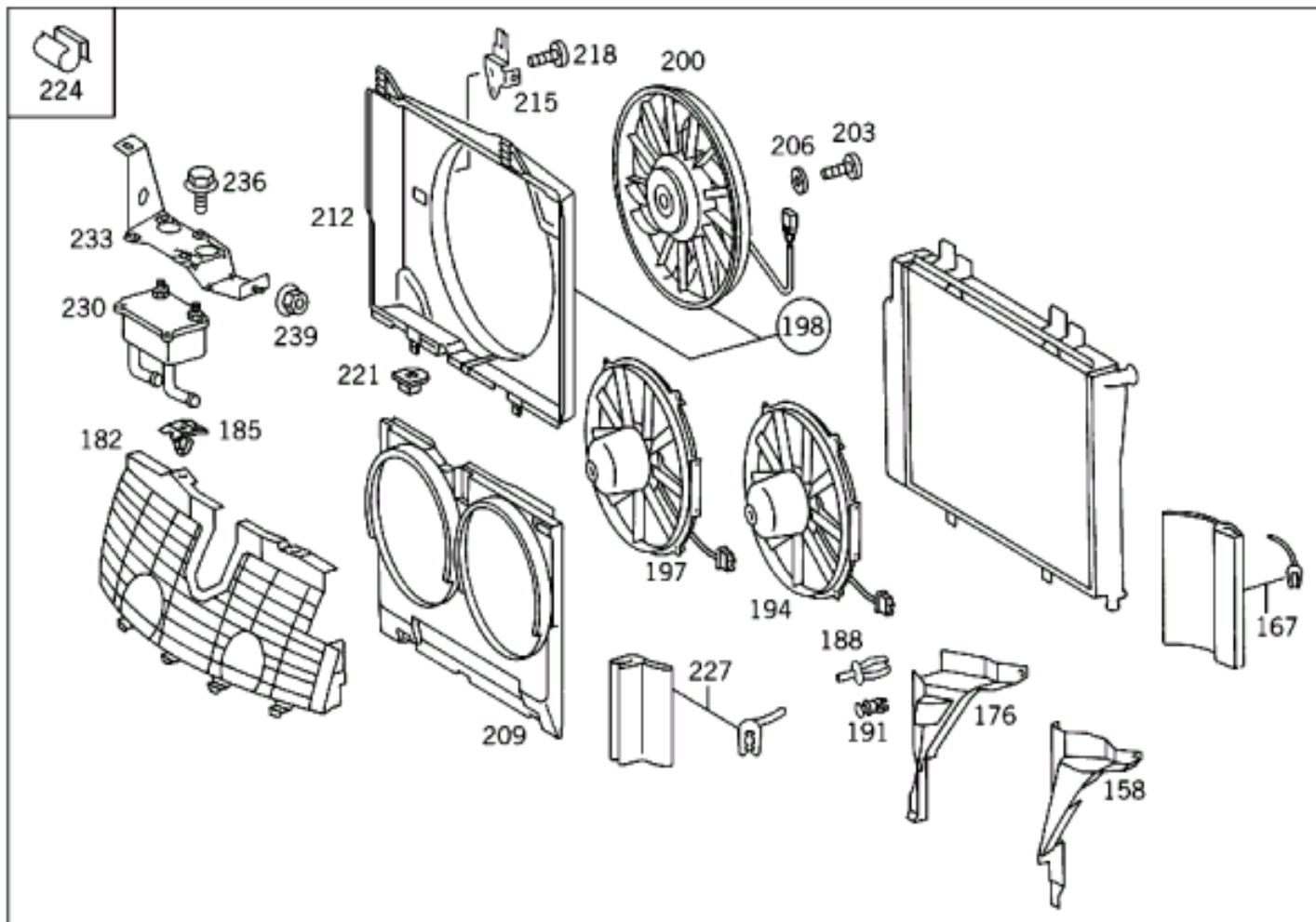
RADIATOR MOUNTING AND COVERING

TURBO DIESEL

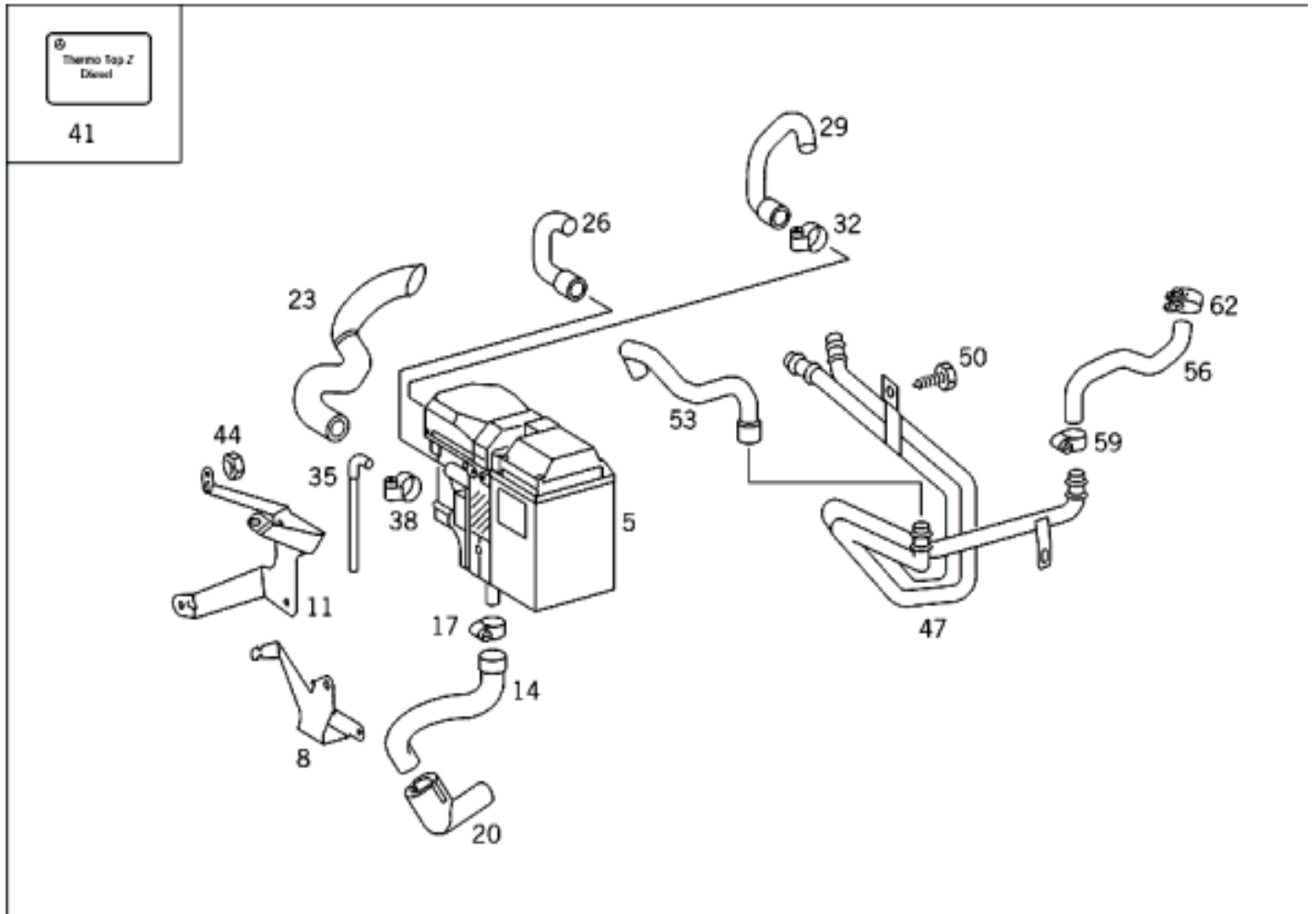
OM 611



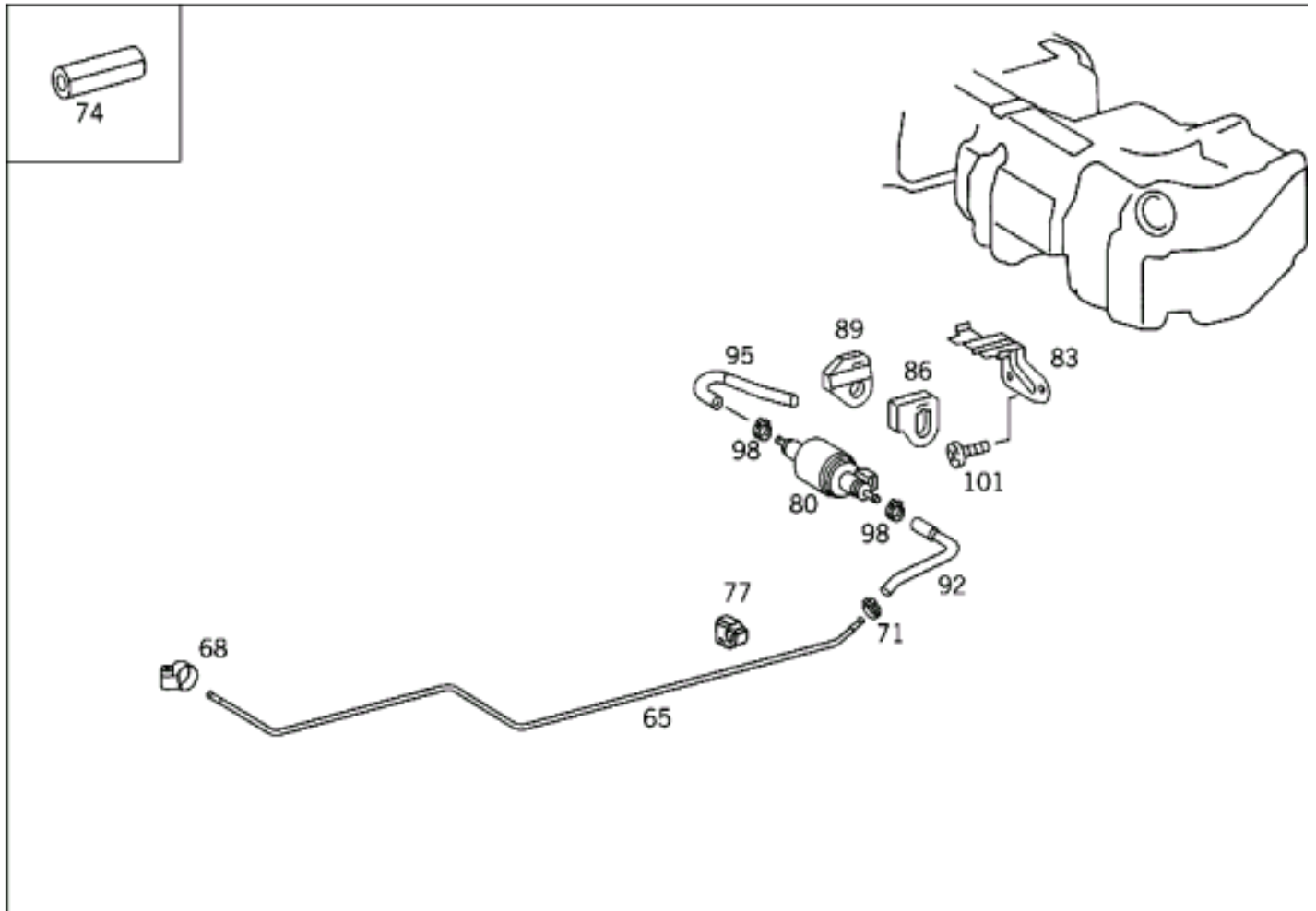
# RADIATOR MOUNTING AND COVERING



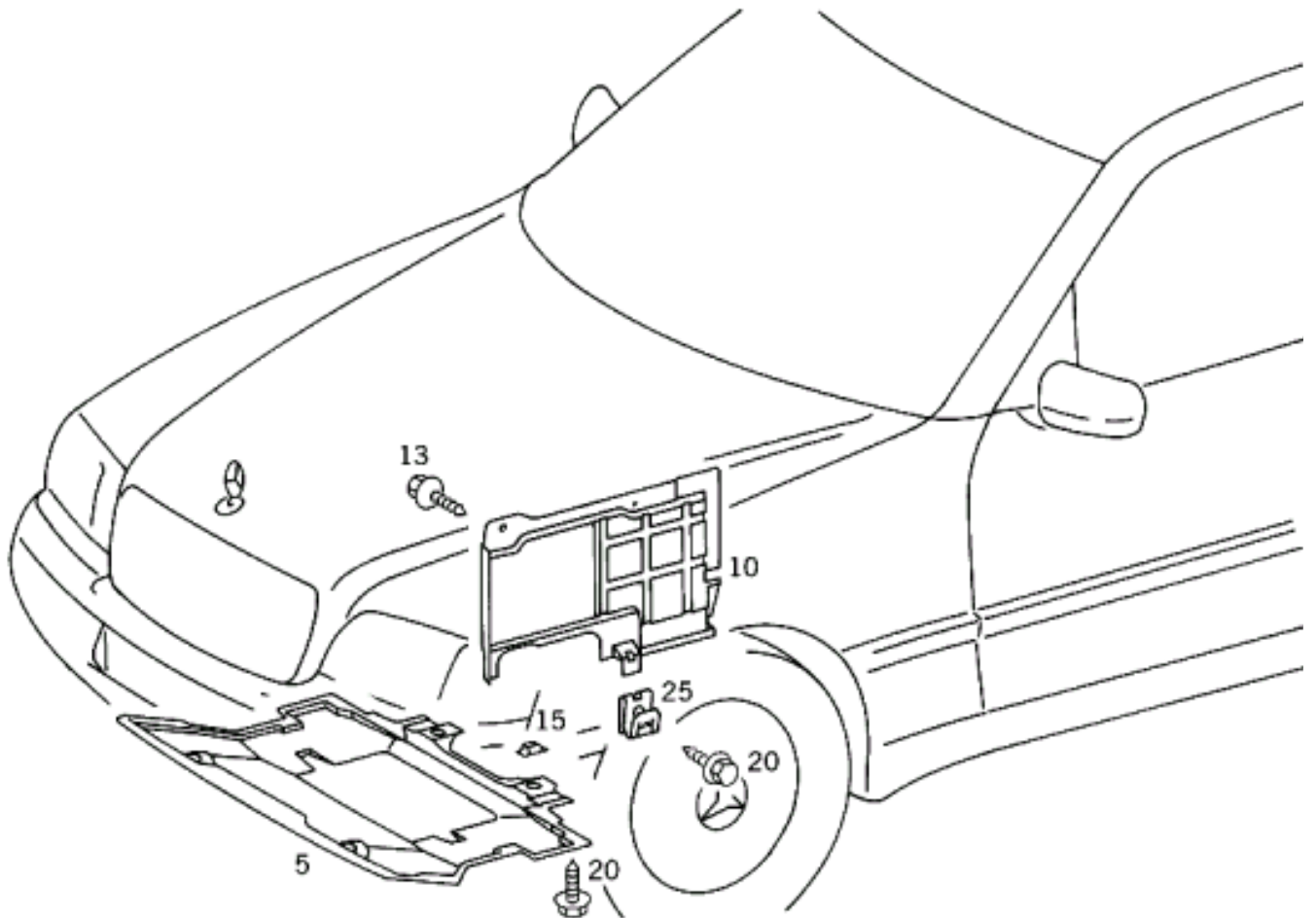
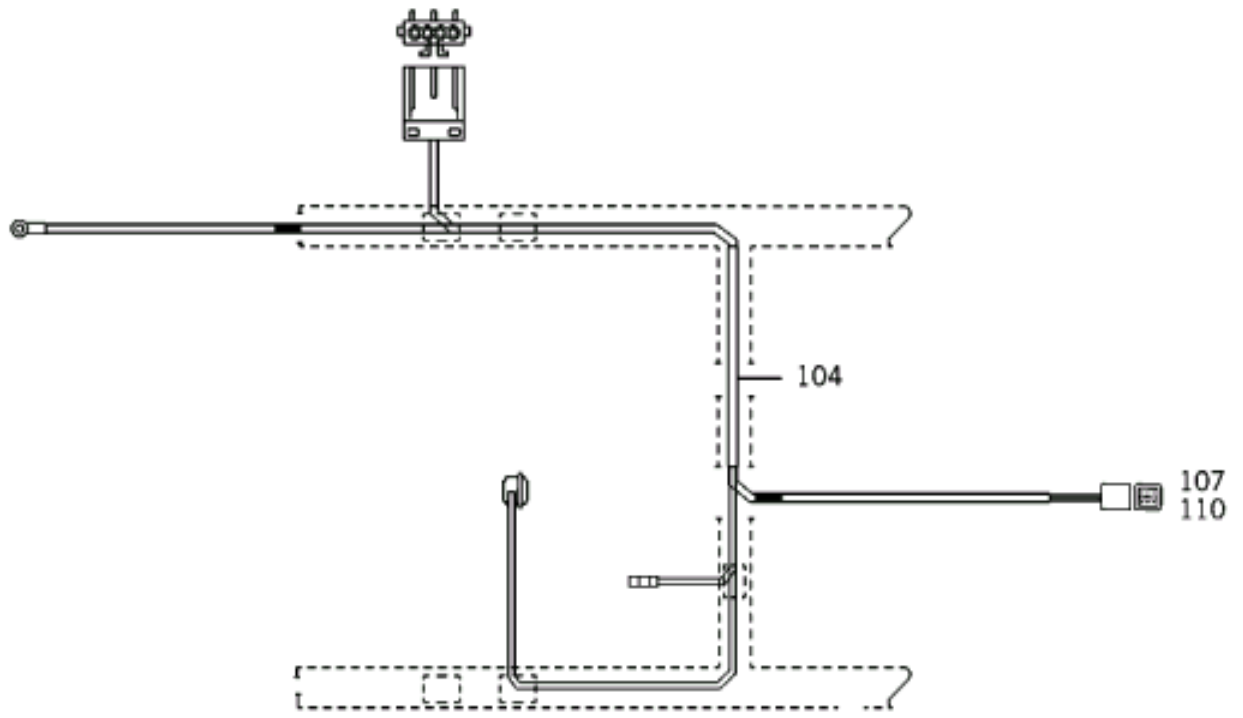
# HEATER BOOSTER



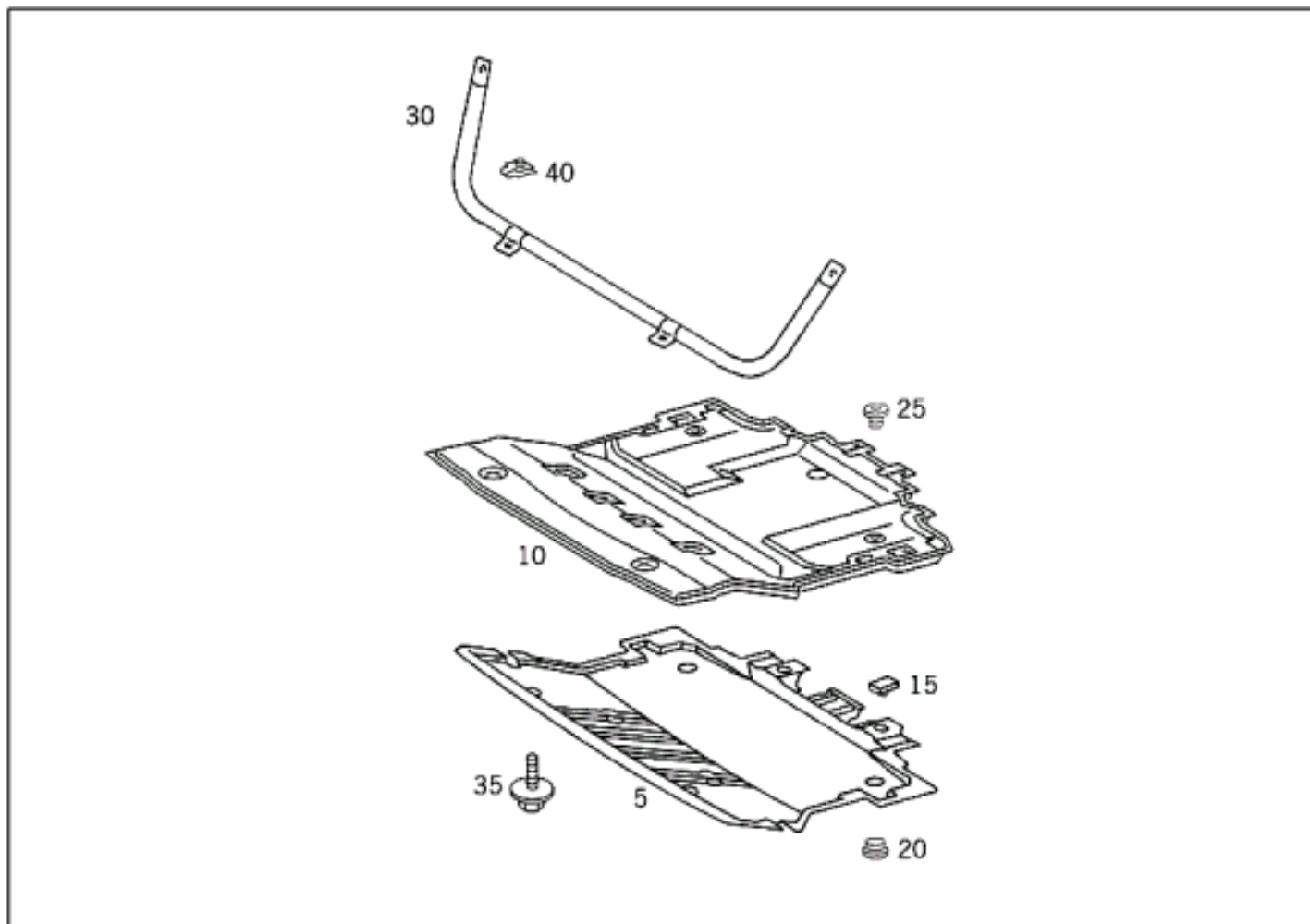
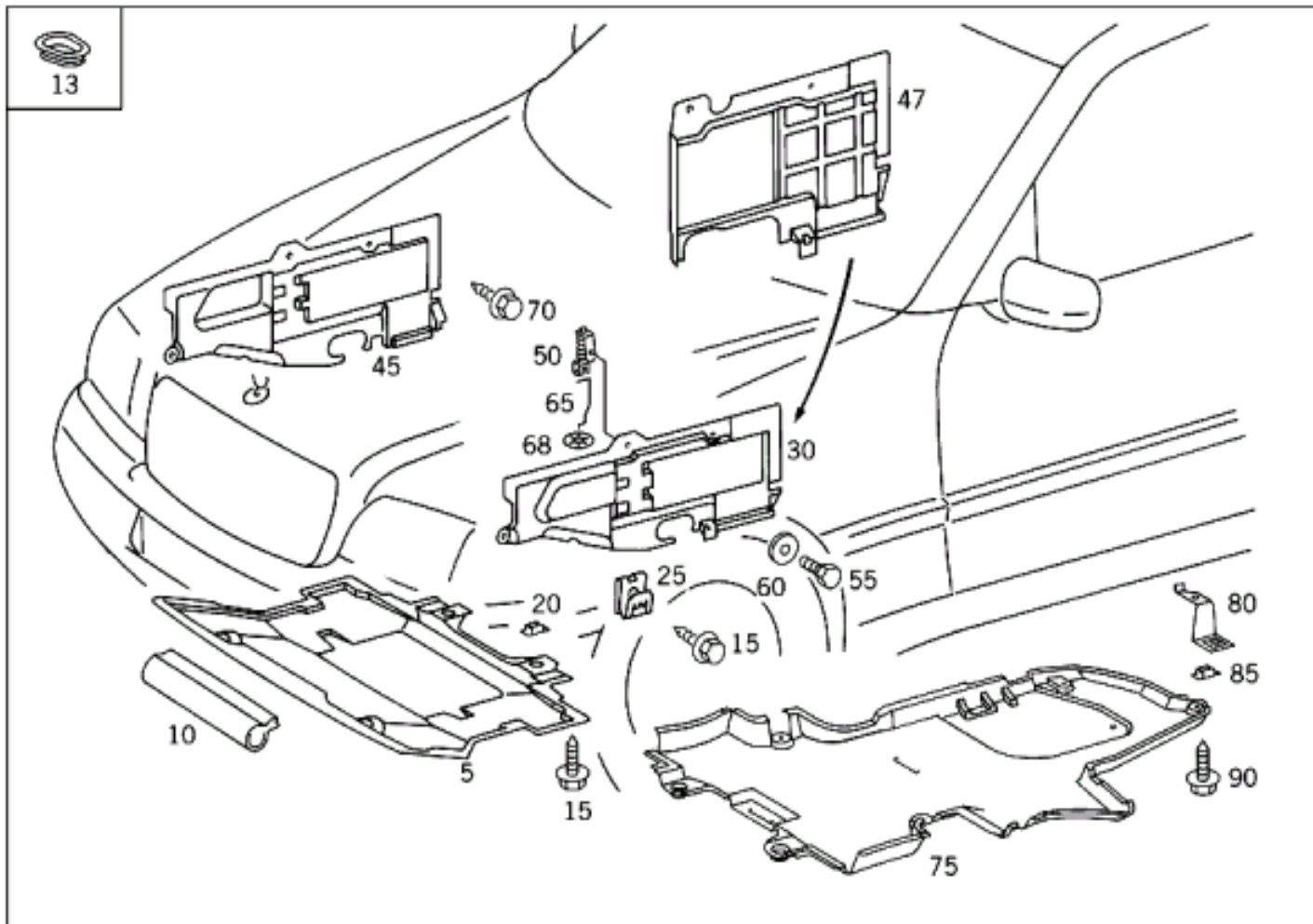
# HEATER BOOSTER



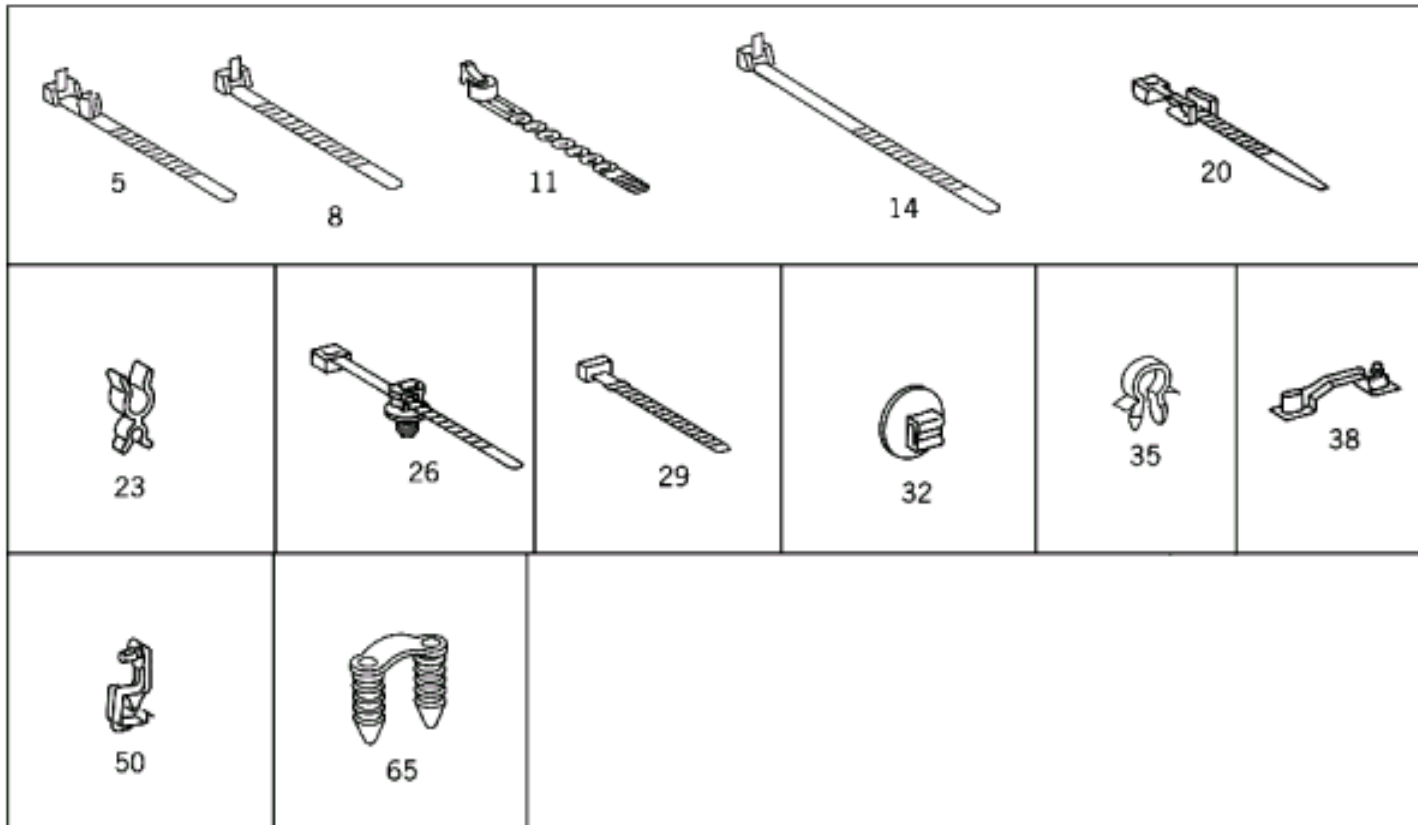
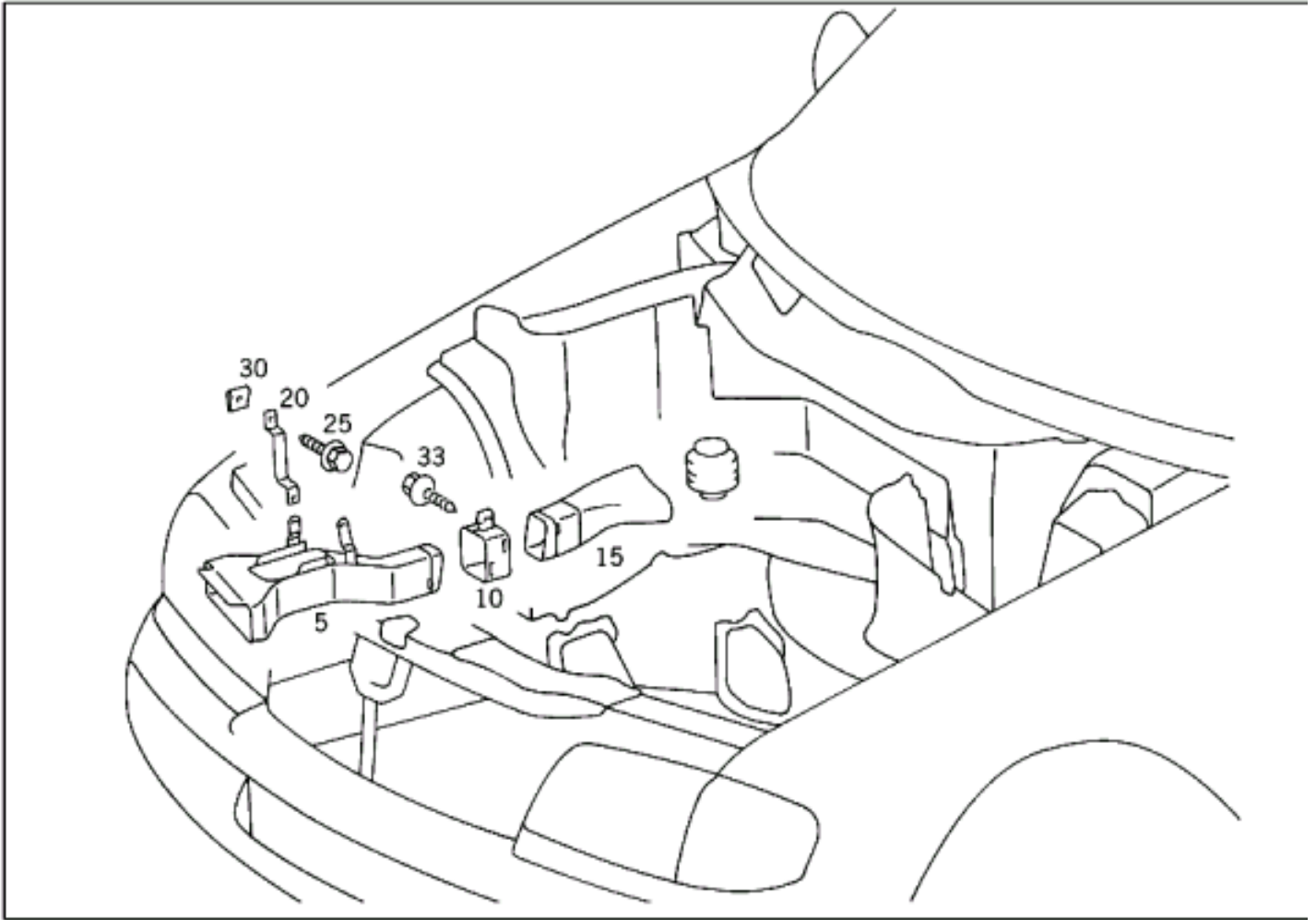
# HEATER BOOSTER



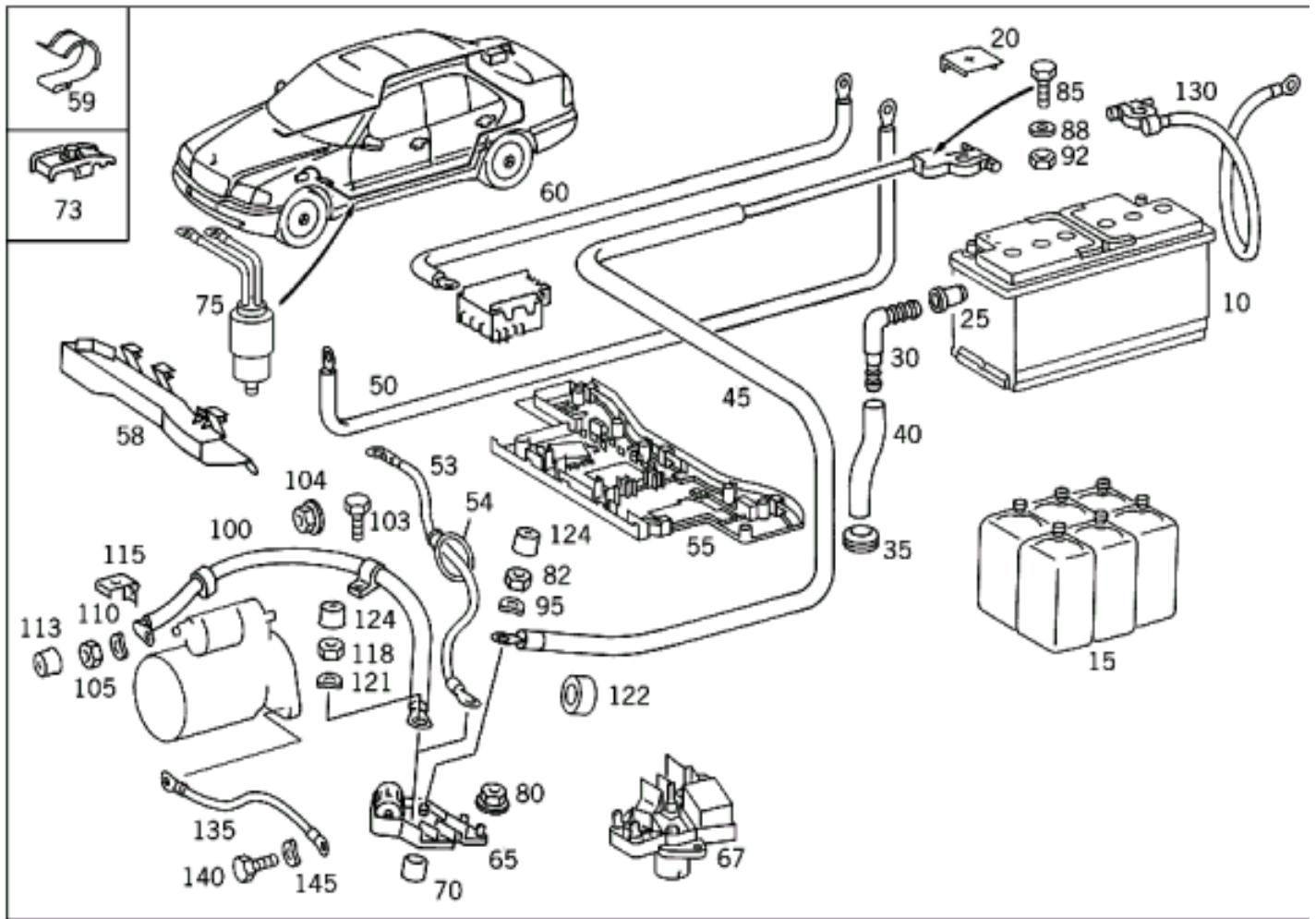
ANTINOISE CAPSULE, DIESEL VEHICLES



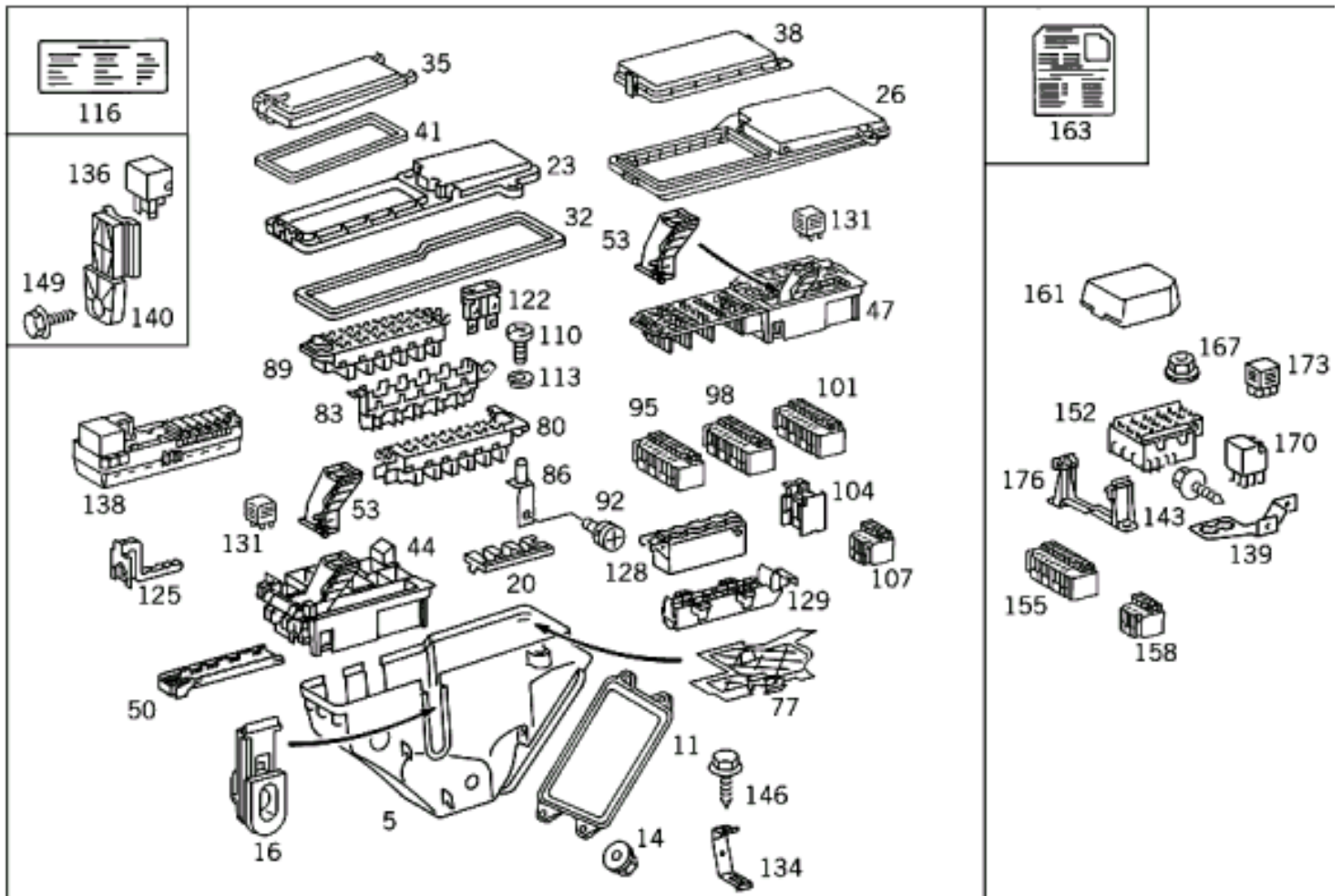
# ENGINE MOUNT COOLING



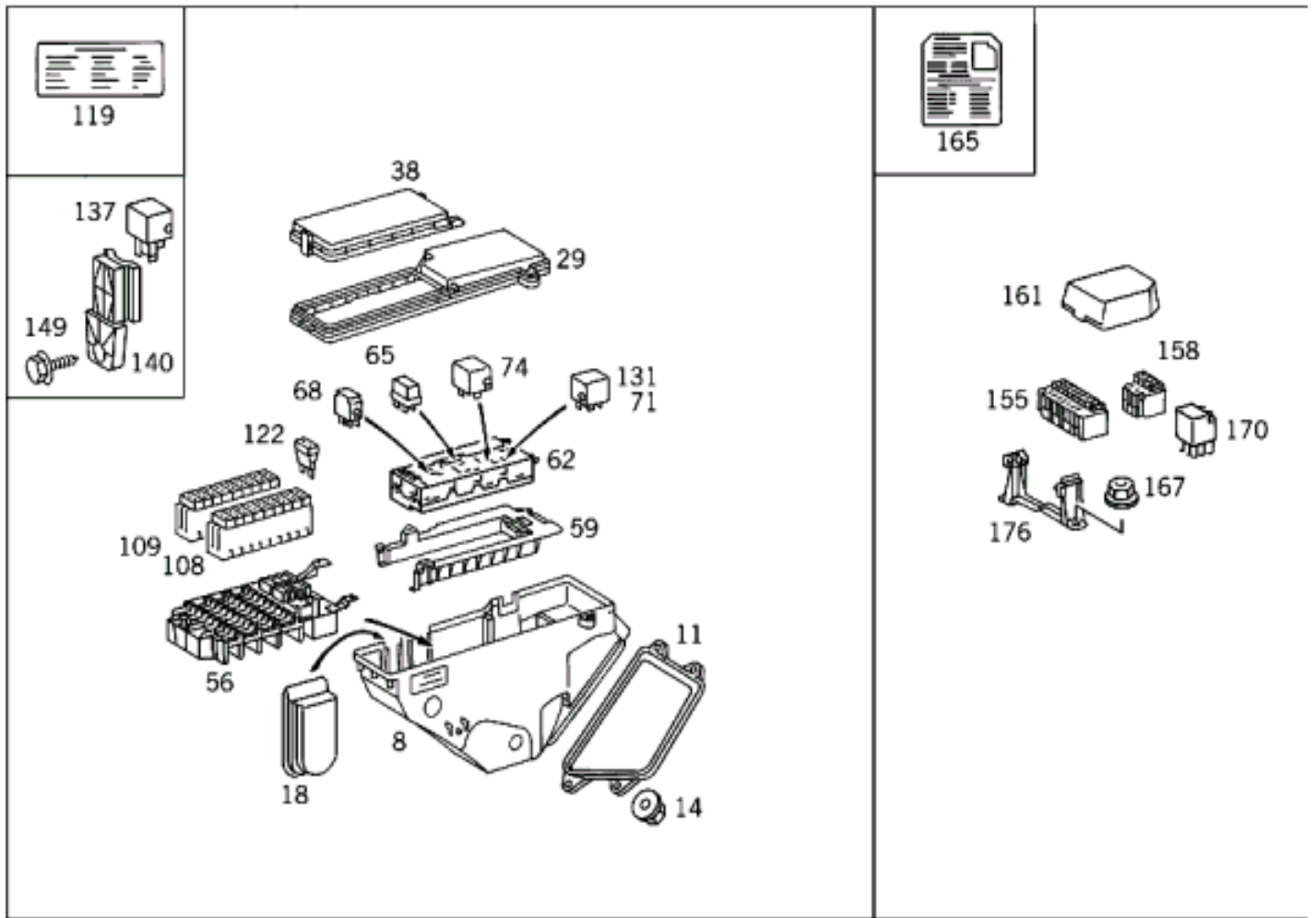
## BATTERY AND STARTING CABLE



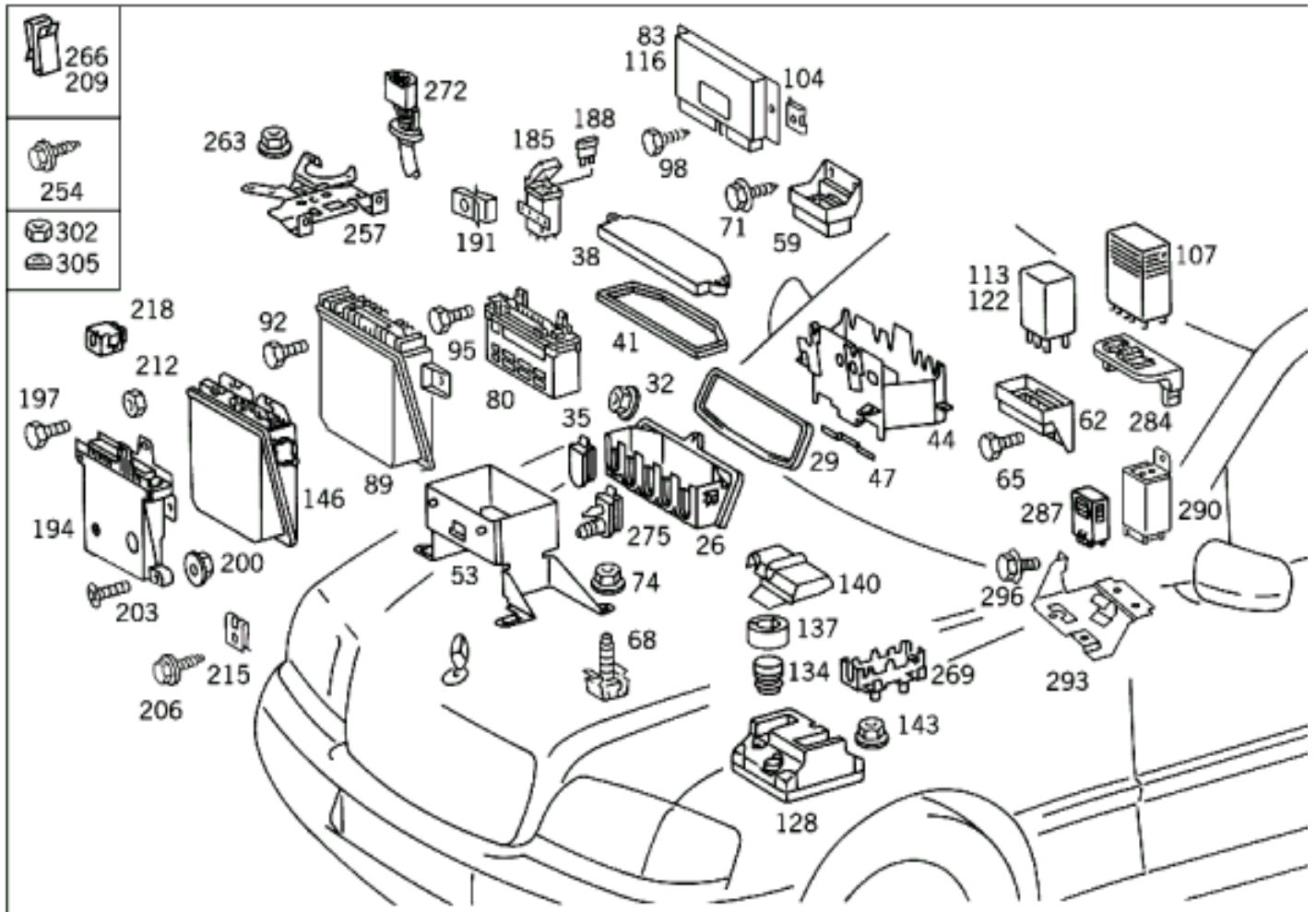
## FUSE BOX AND RELAY



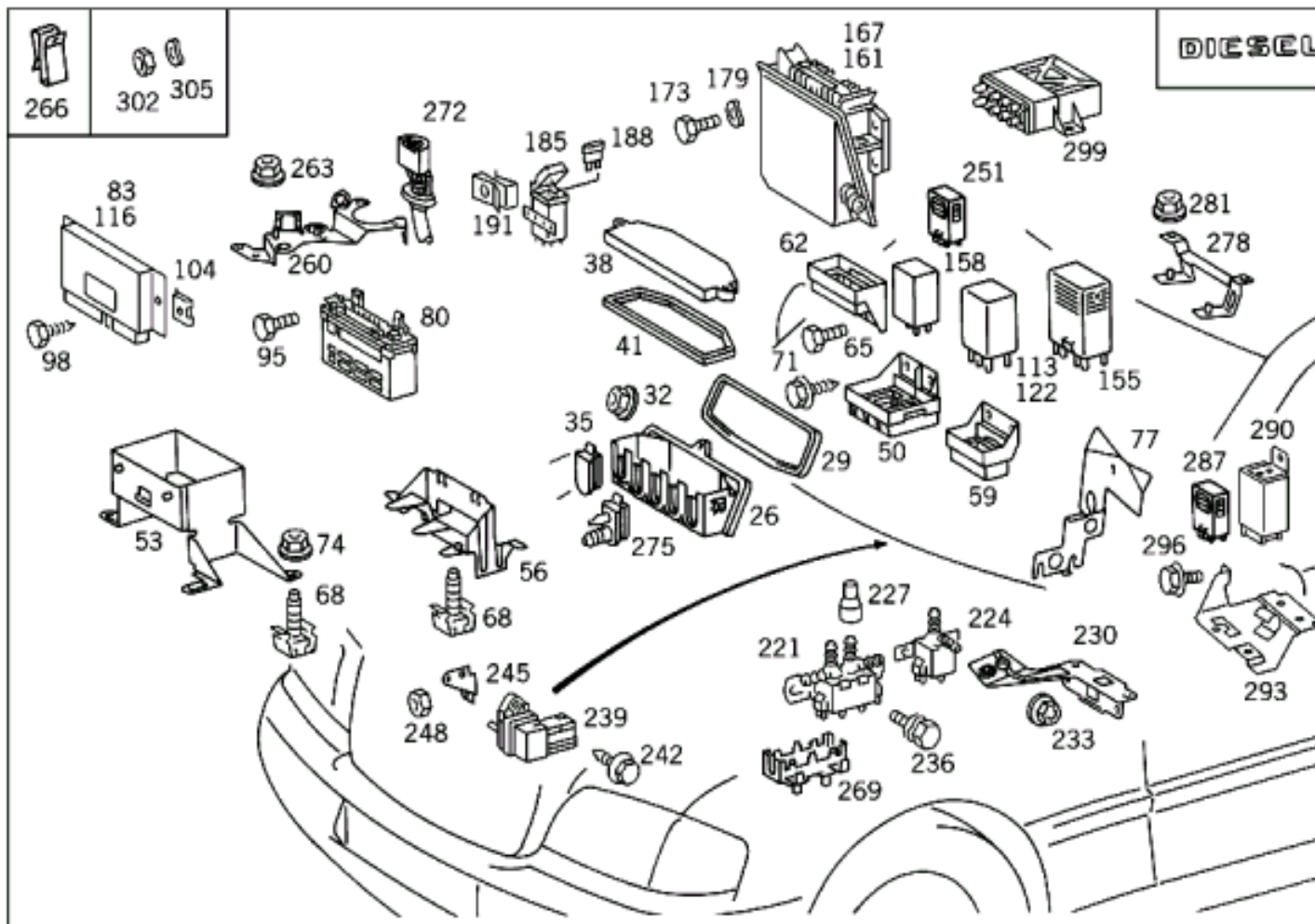
# FUSE BOX AND RELAY



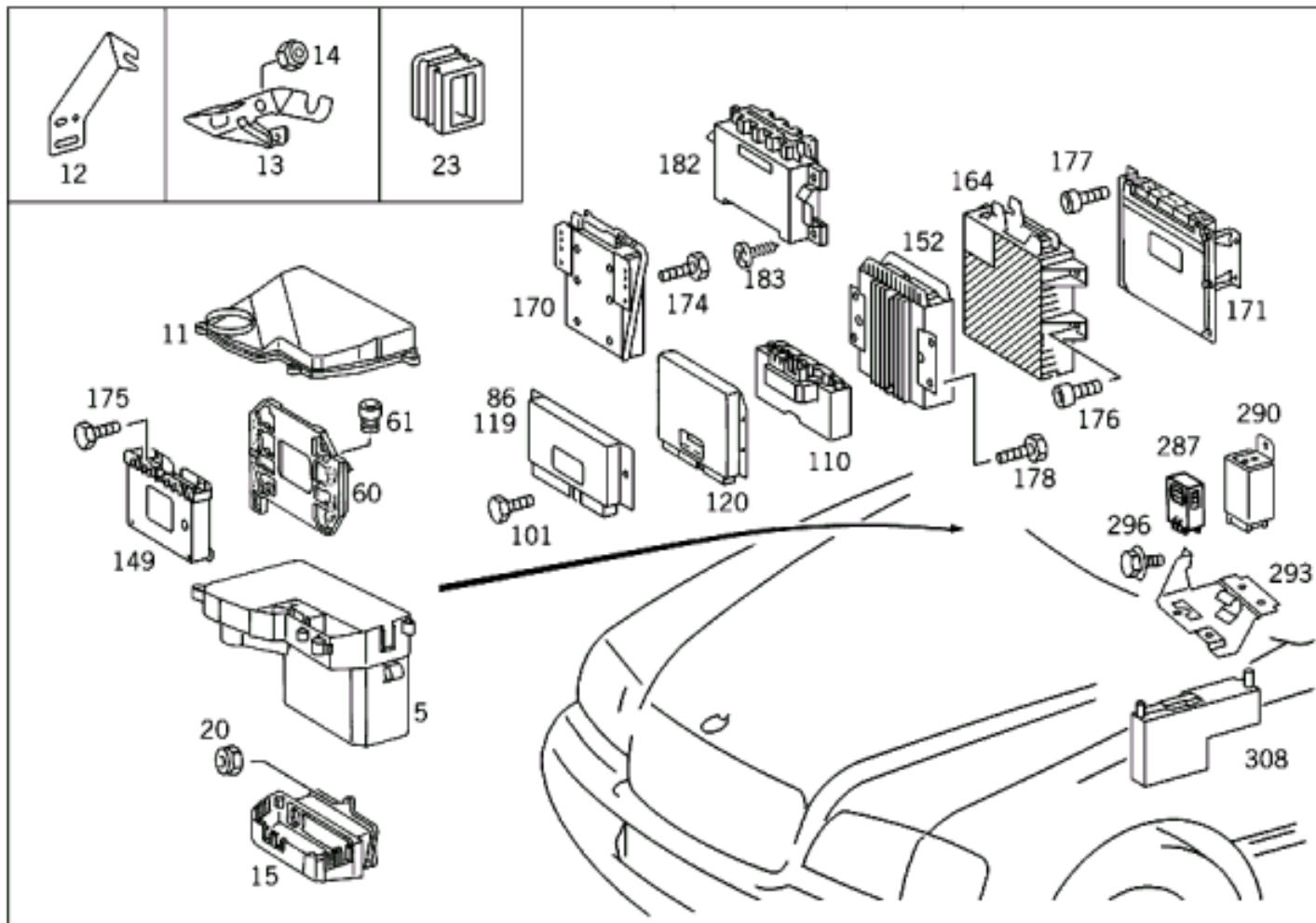
# APPARATUS CASE AND CONTROL UNITS



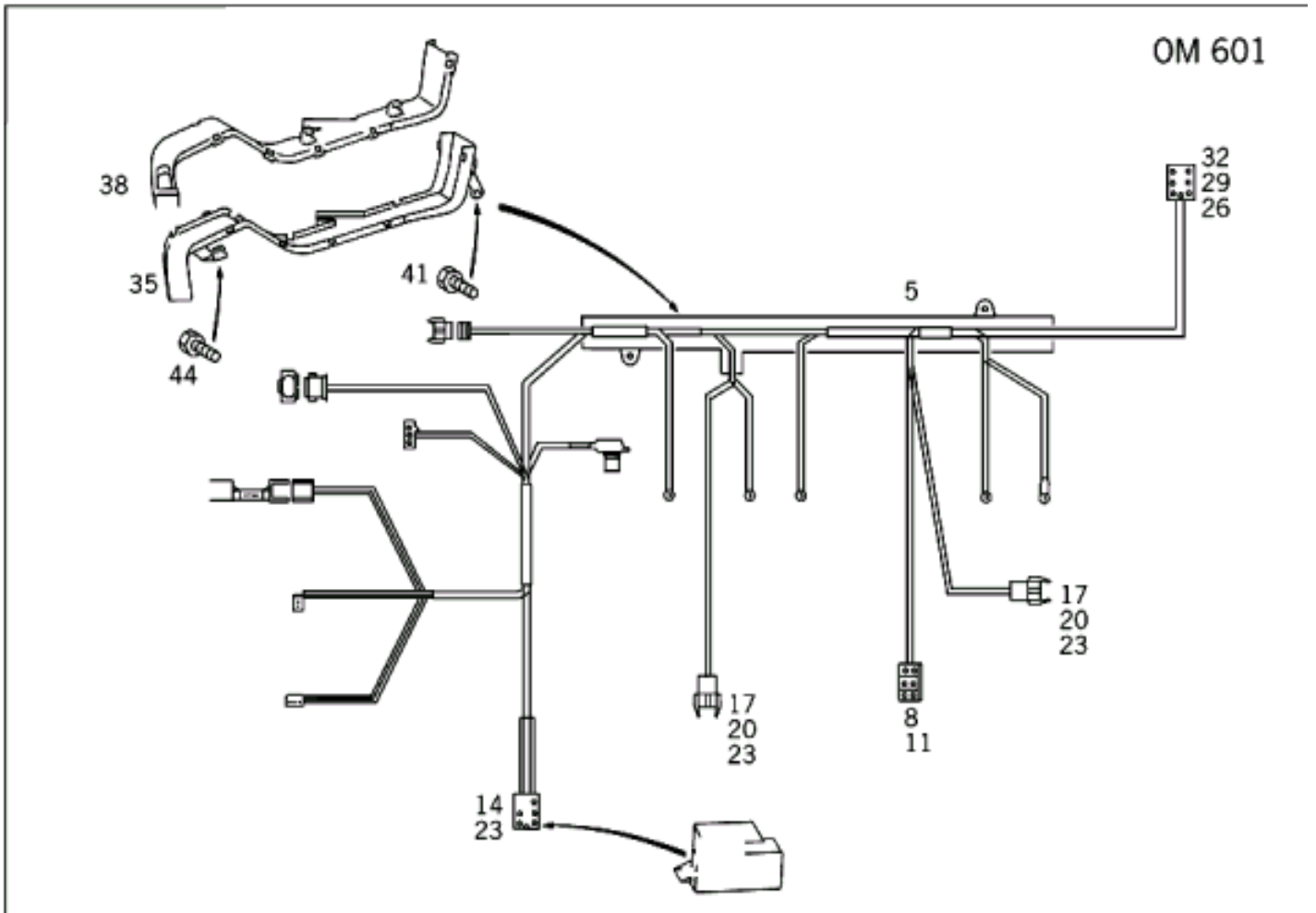
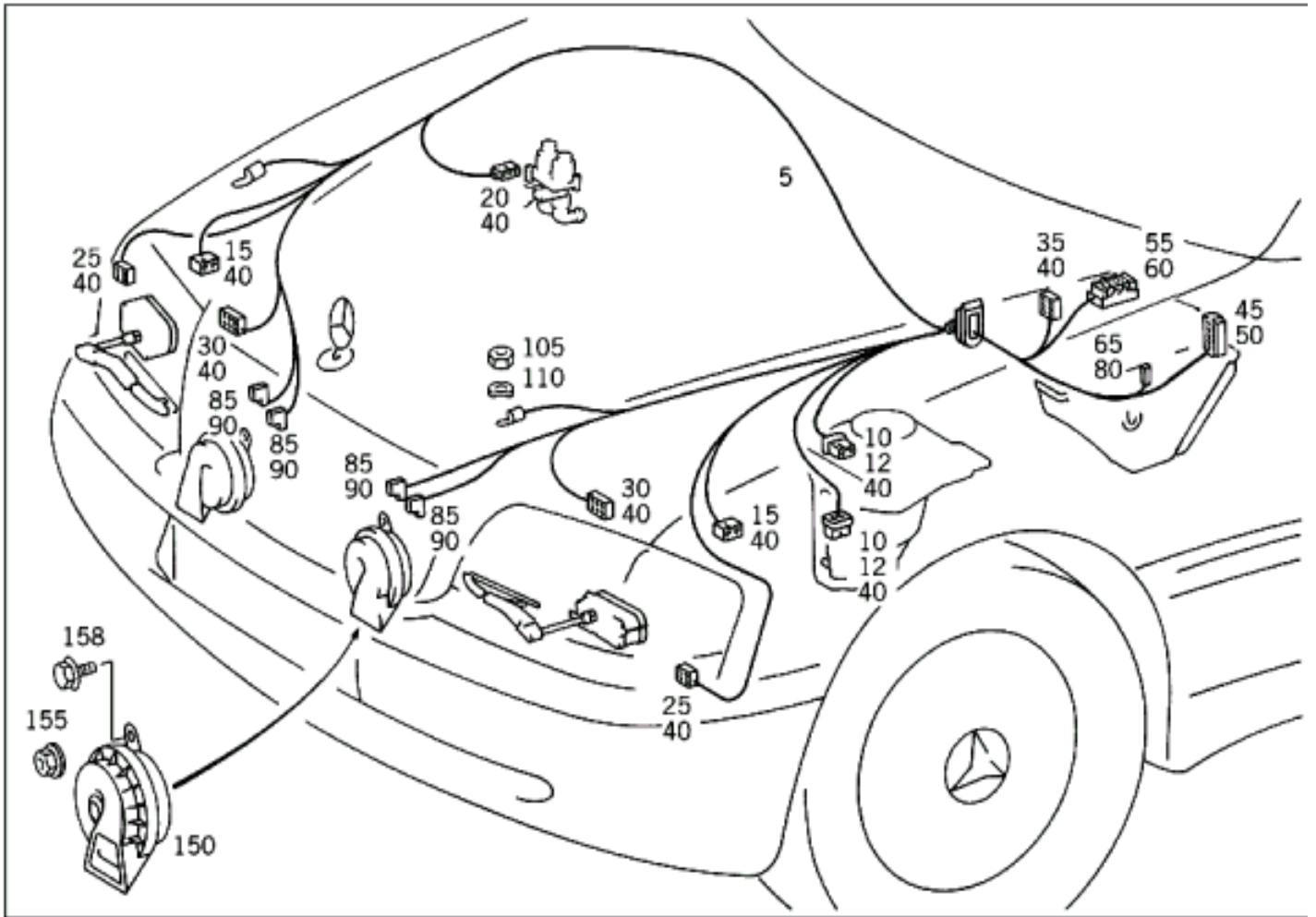
APPARATUS CASE AND CONTROL UNITS



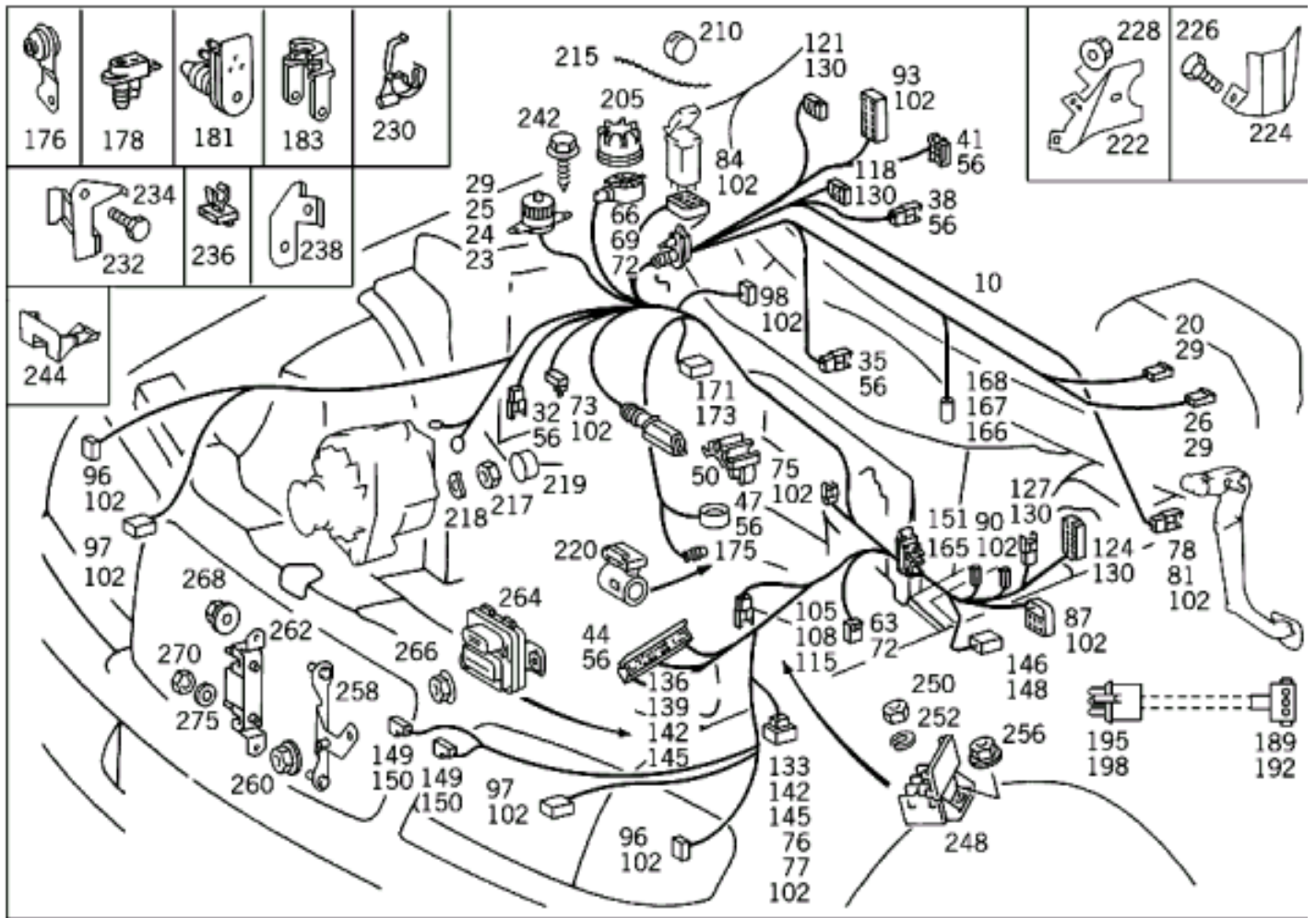
APPARATUS CASE AND CONTROL UNITS



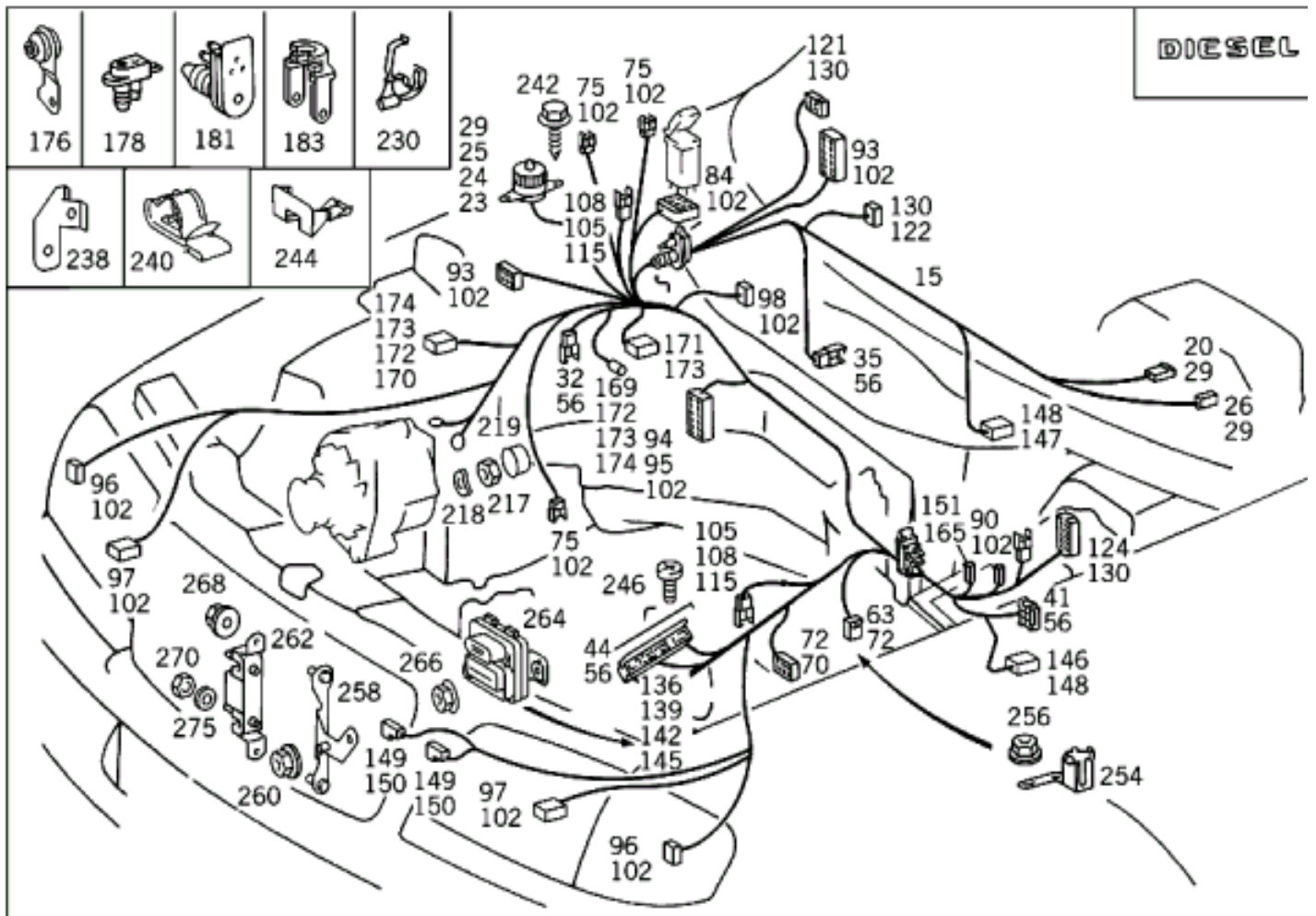
# HEADLAMP CABLE HARNESS AND HORN



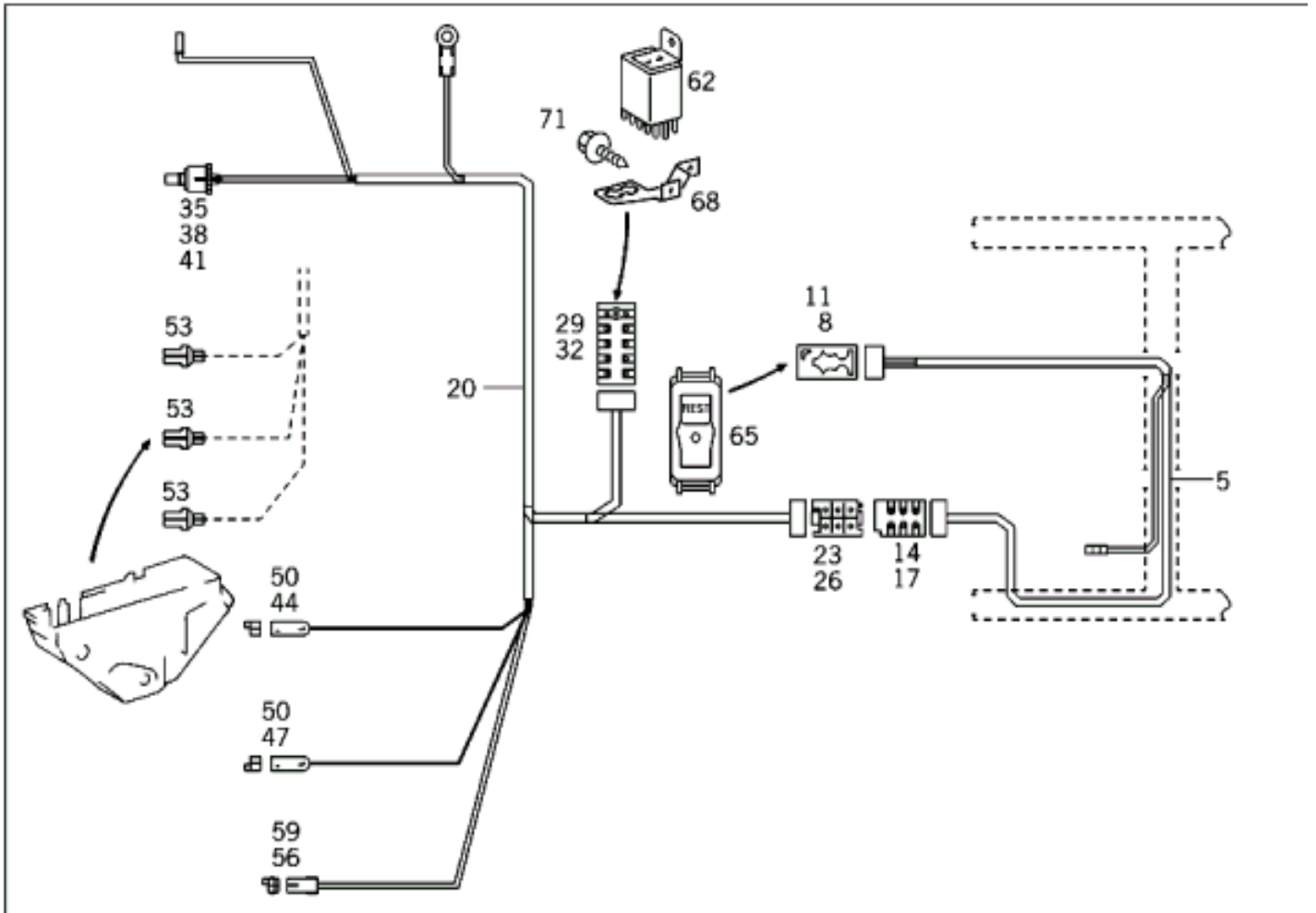
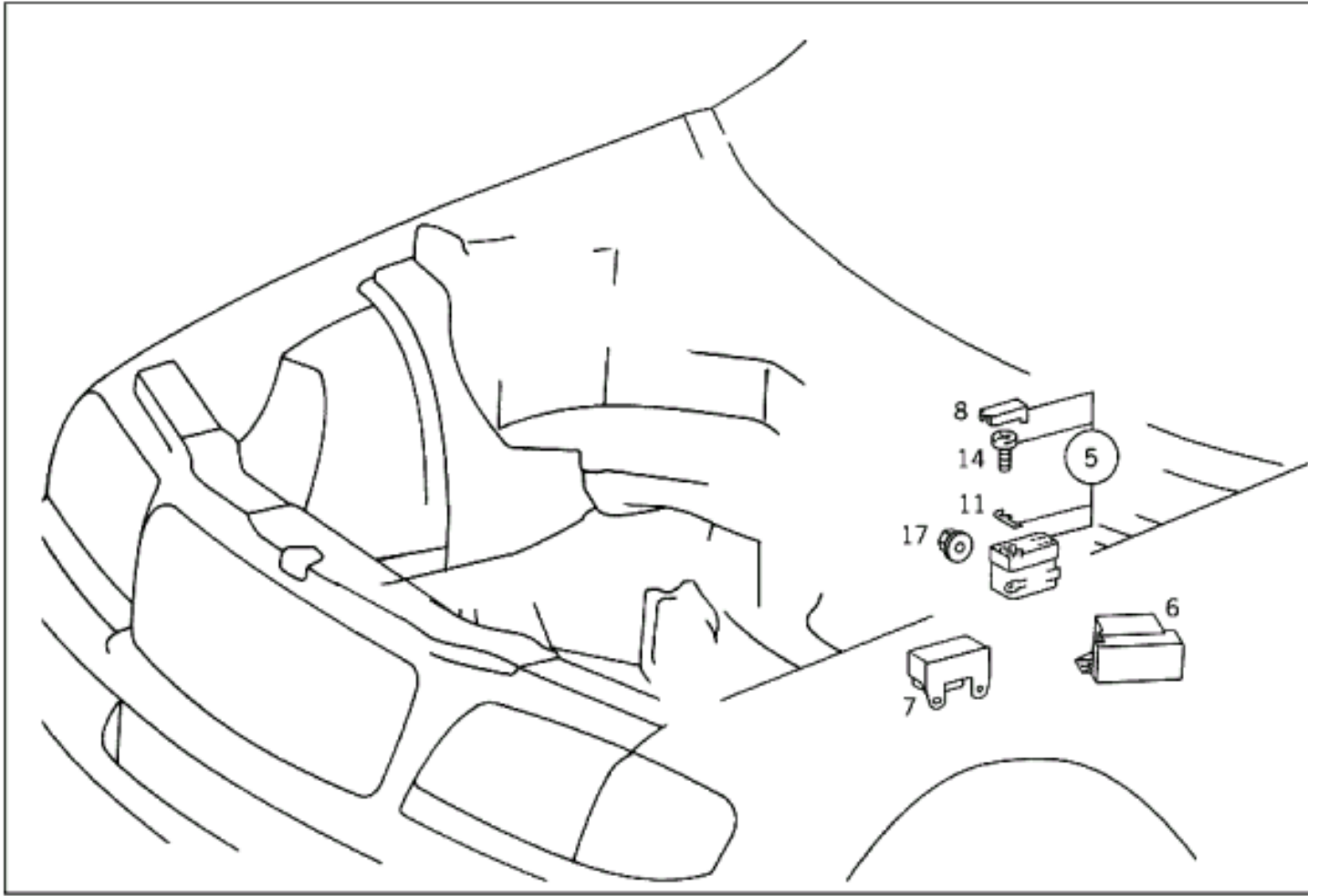
ENGINE CABLE HARNESS, BODY MOUNTED



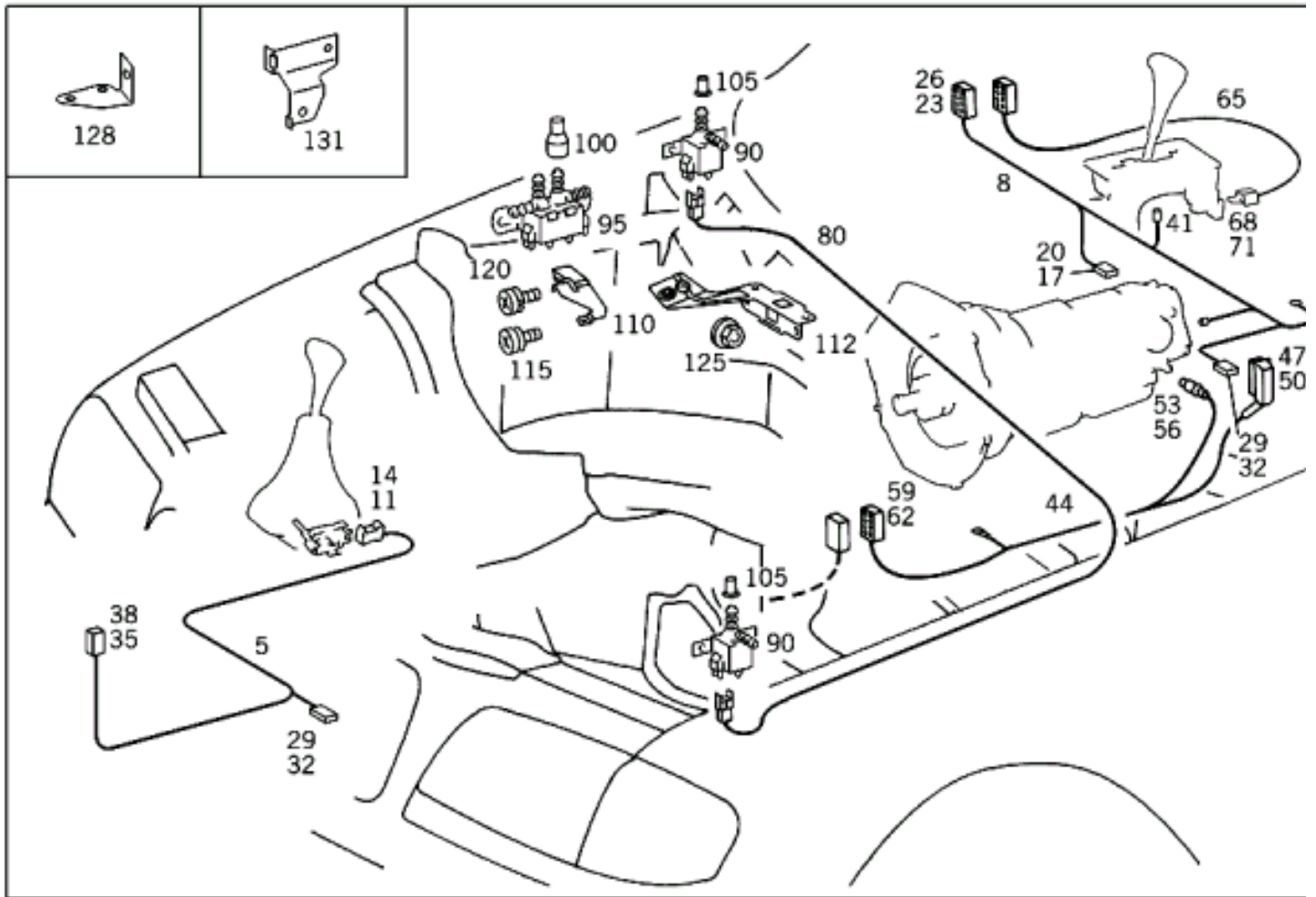
ENGINE CABLE HARNESS, BODY MOUNTED



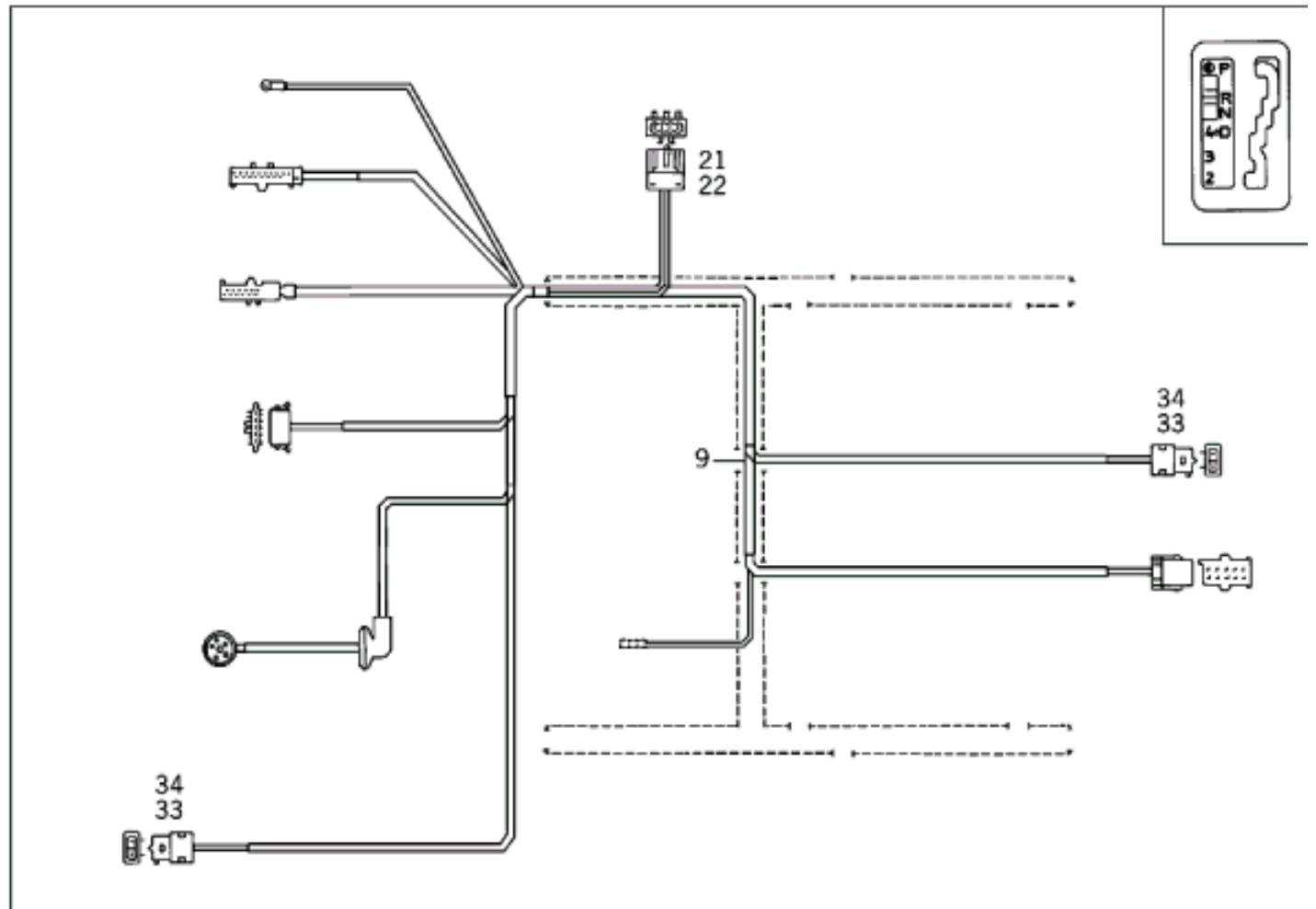
# PRE GLOW SYSTEM



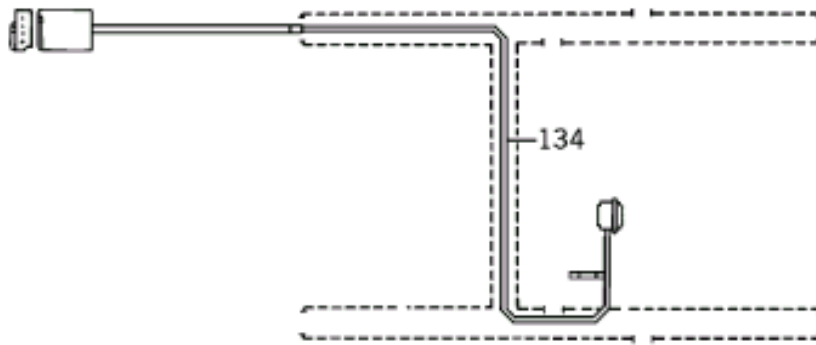
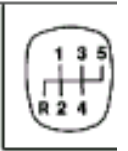
ELECTRICAL PARTS USED FOR TRANSMISSION



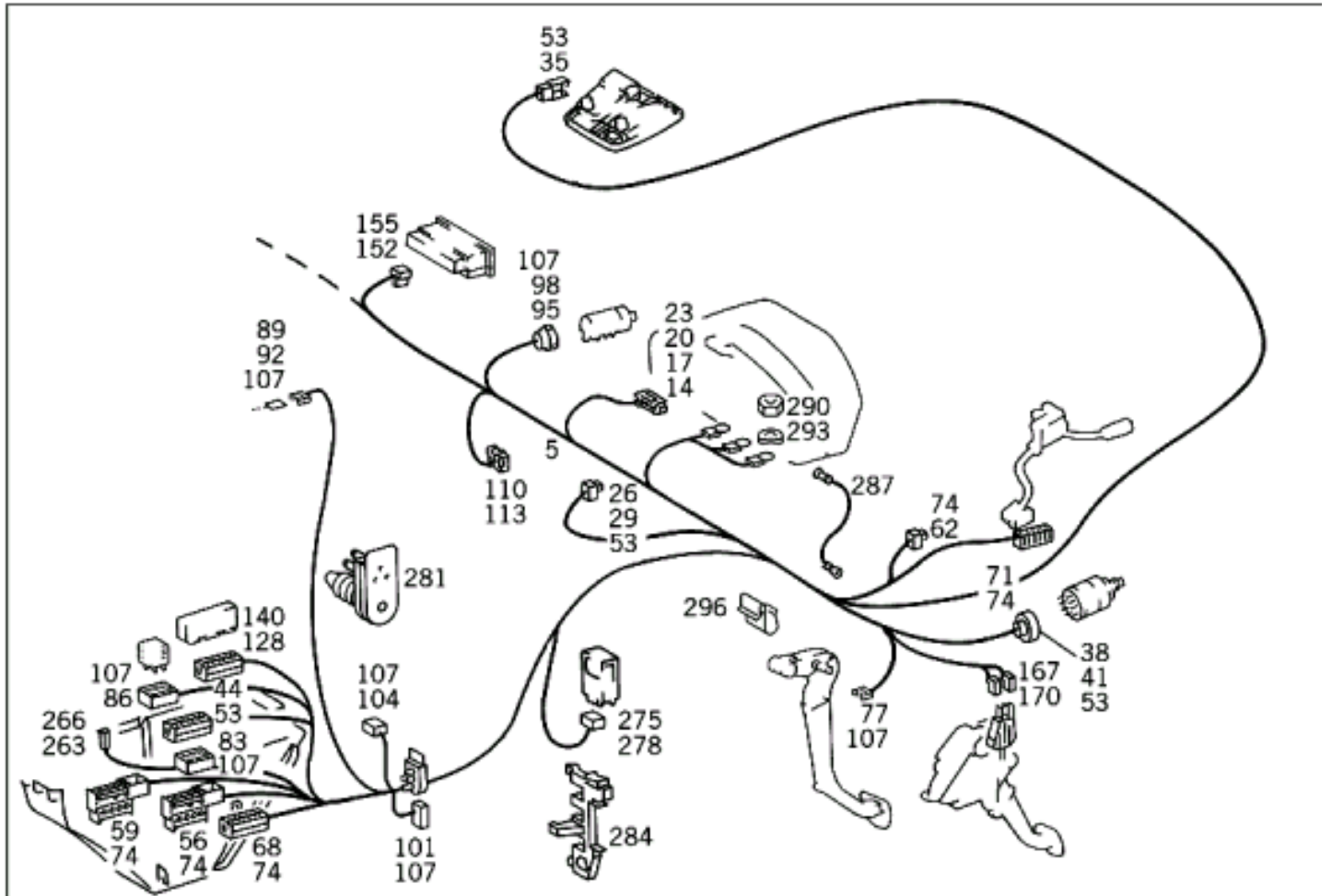
ELECTRICAL PARTS USED FOR TRANSMISSION



# ELECTRICAL PARTS USED FOR TRANSMISSION

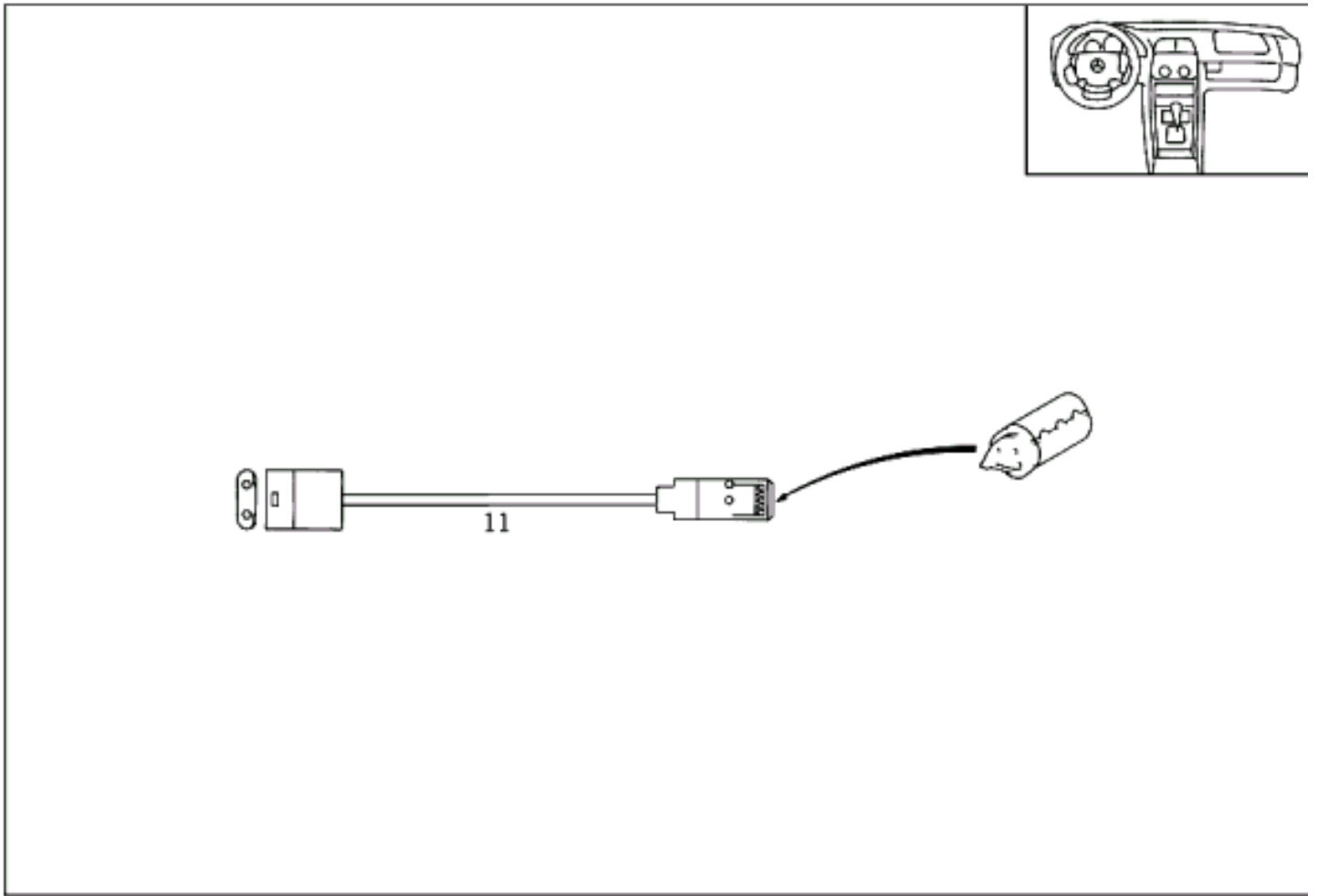


# COCKPIT CABLE HARNESS

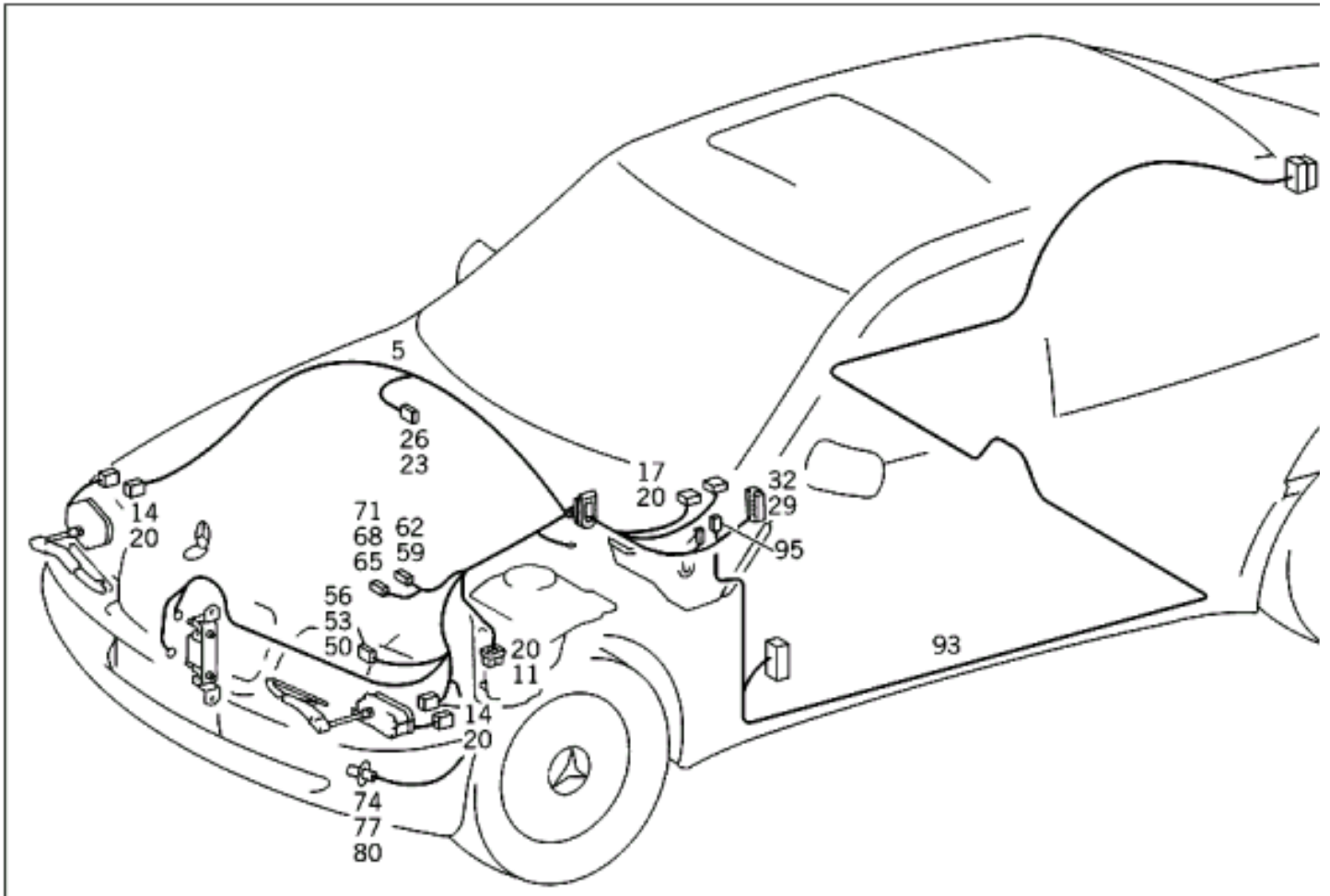




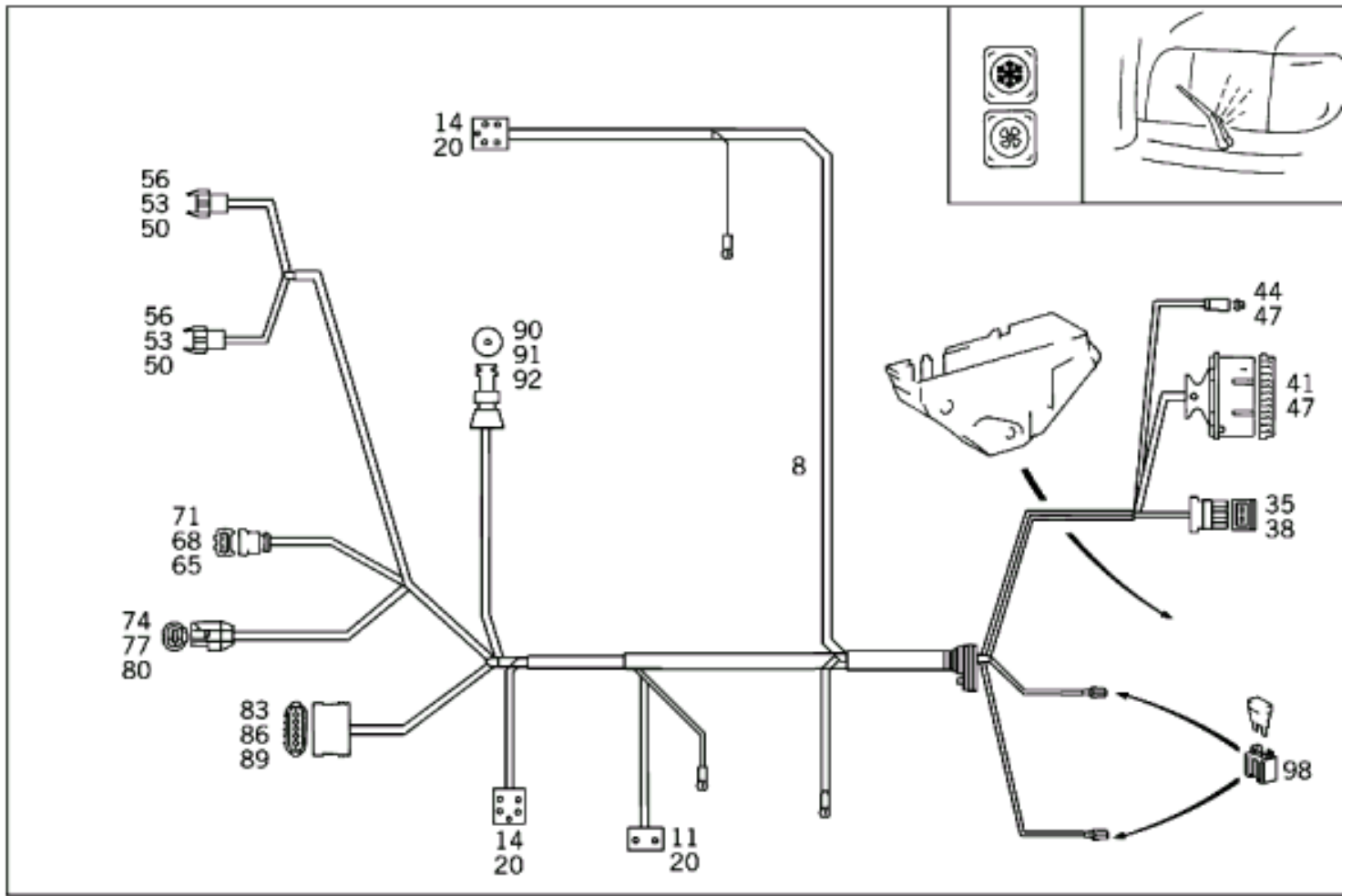
# COCKPIT CABLE HARNESS



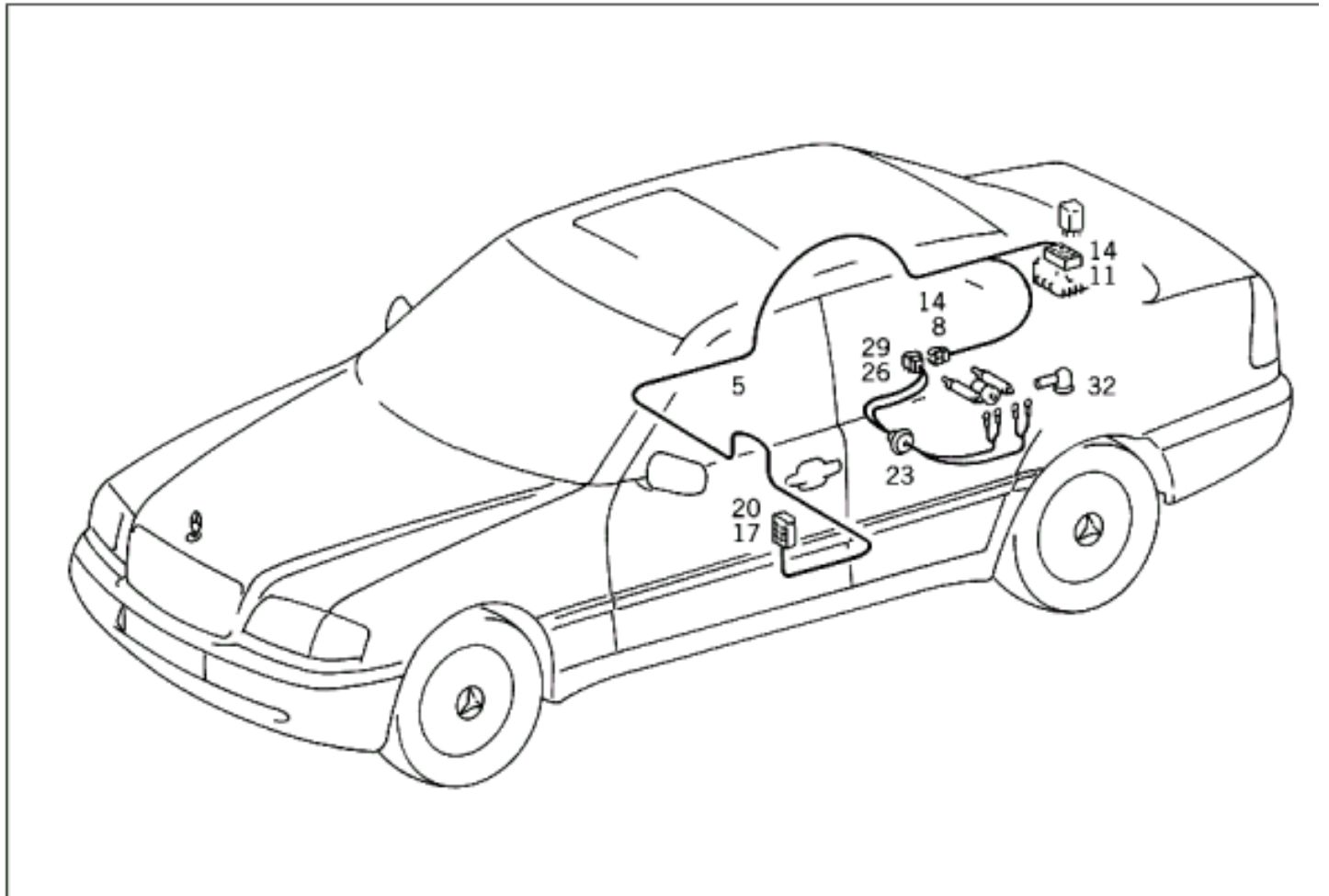
# CABLE HARNESS FOR AIR CONDITIONER AND HEADLAMP CLEANING SYSTEM



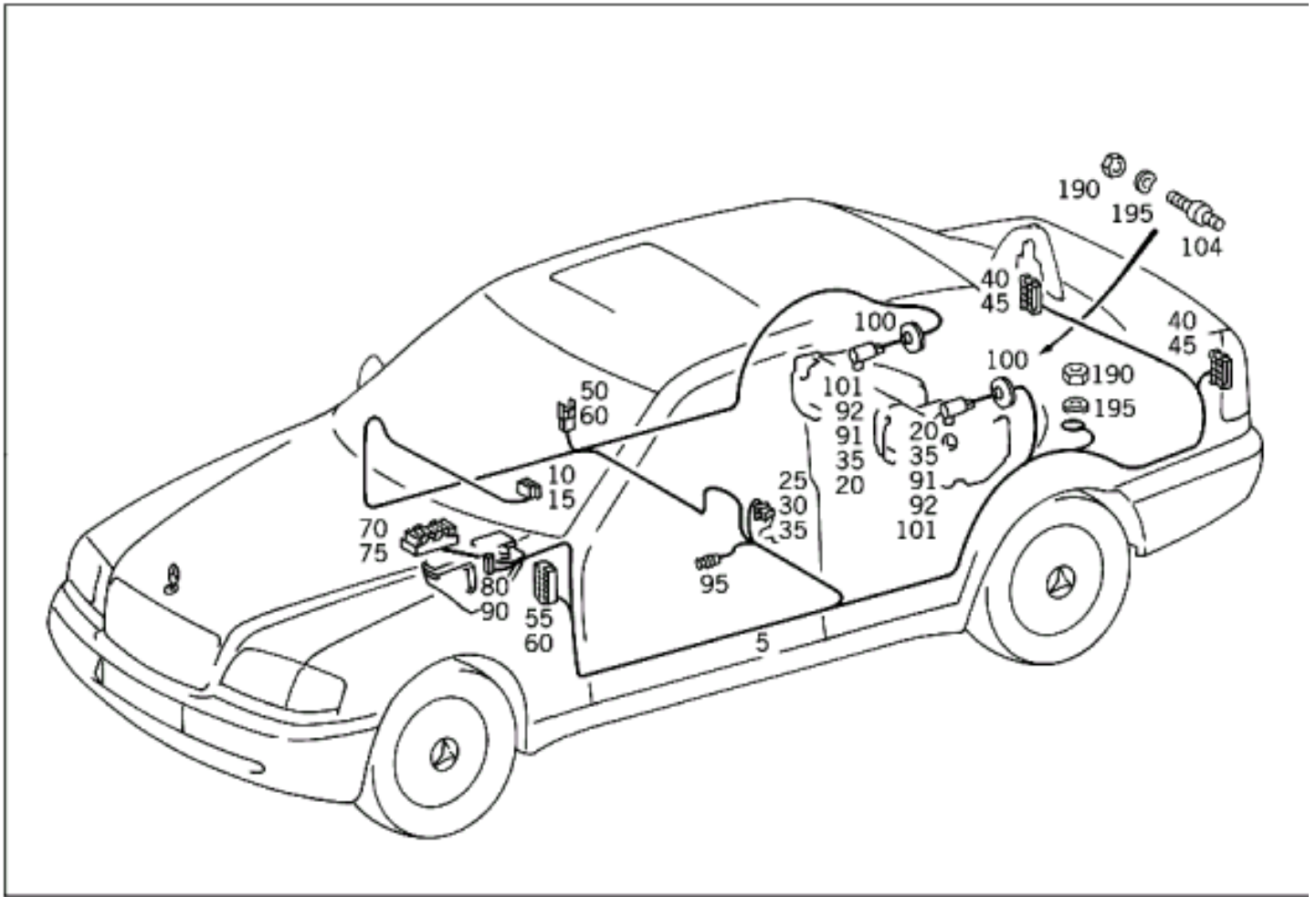
# CABLE HARNESS FOR AIR CONDITIONER AND HEADLAMP CLEANING SYSTEM



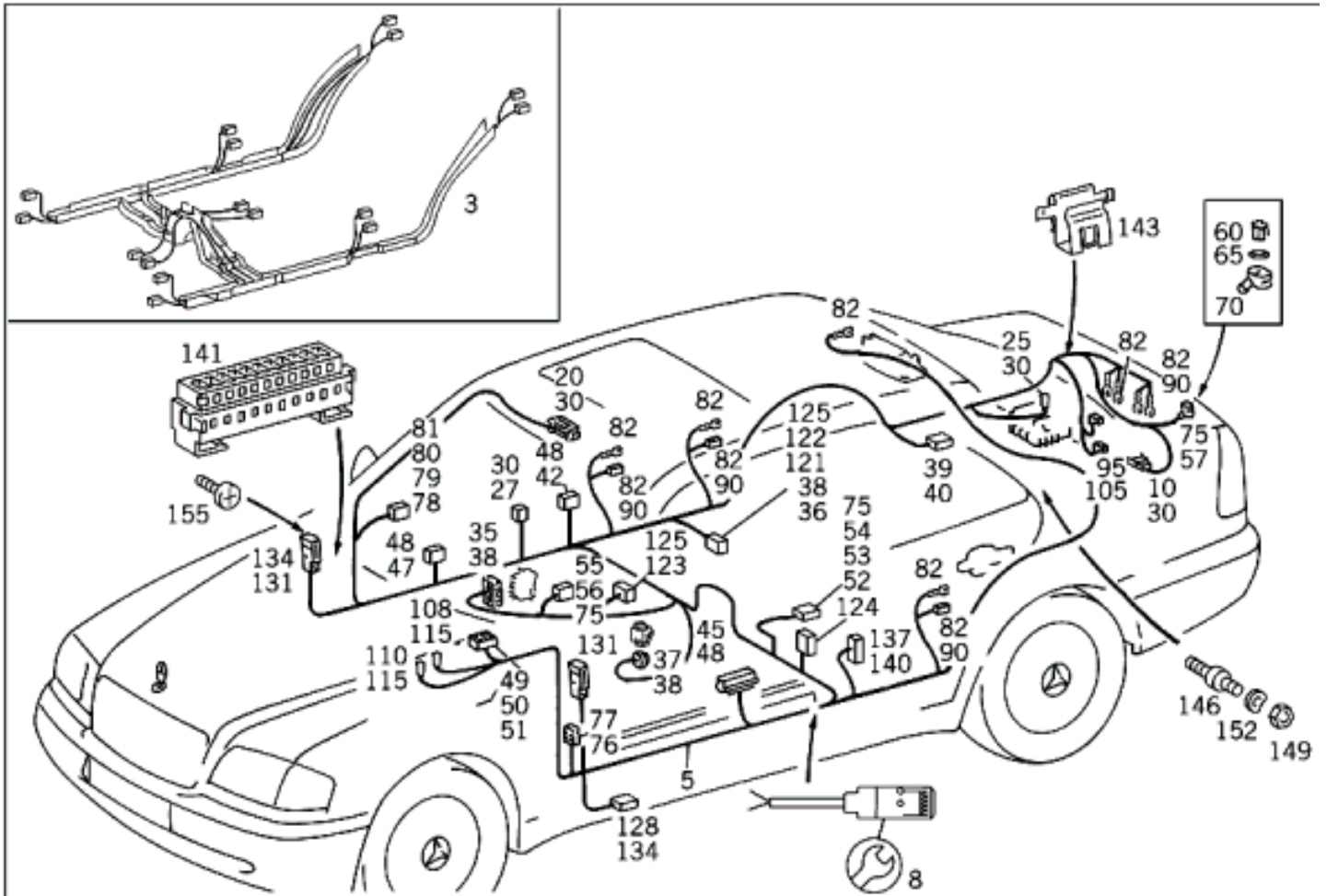
# FUEL PUMP CABLE



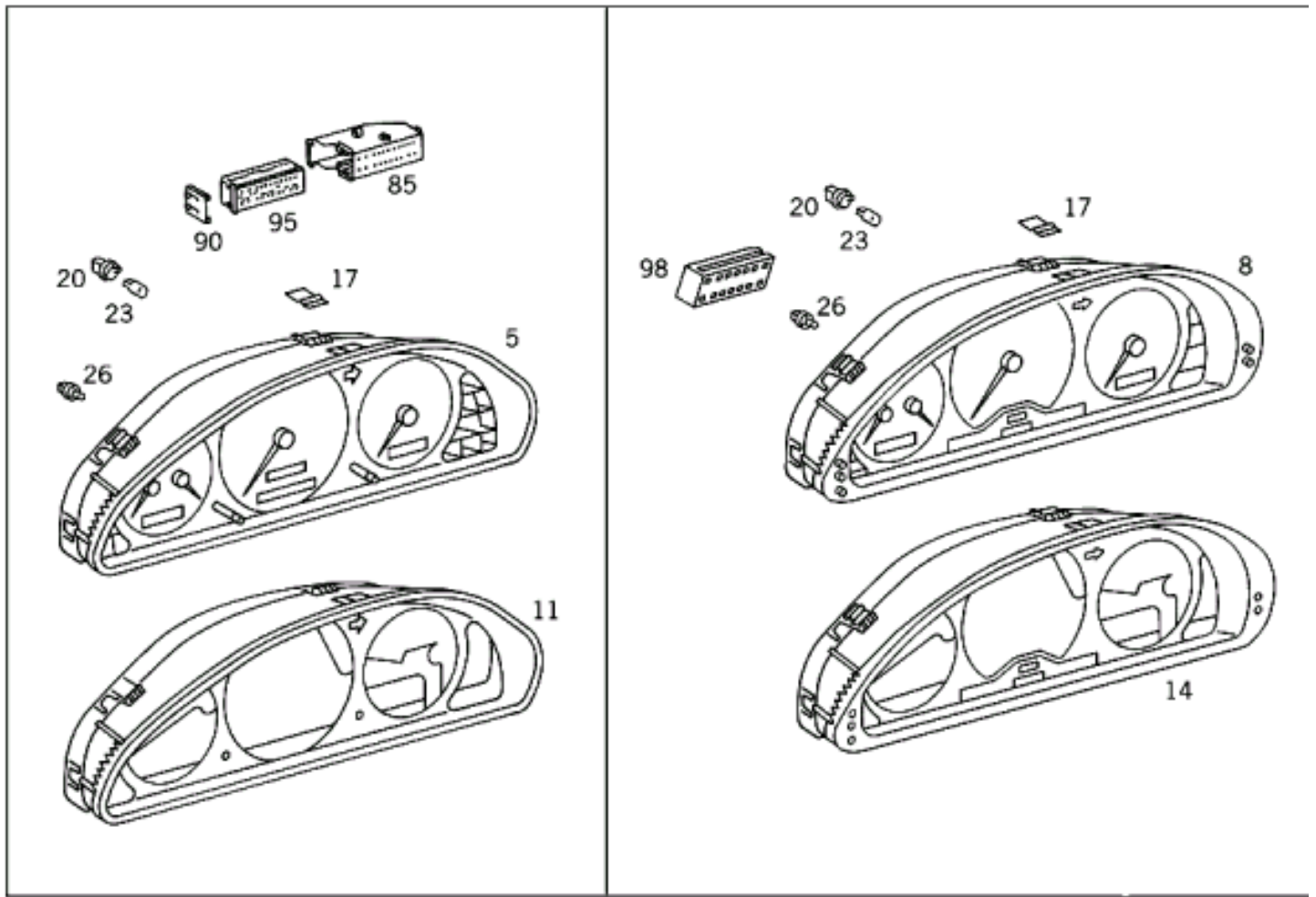
# TAIL LAMP CABLE HARNESS



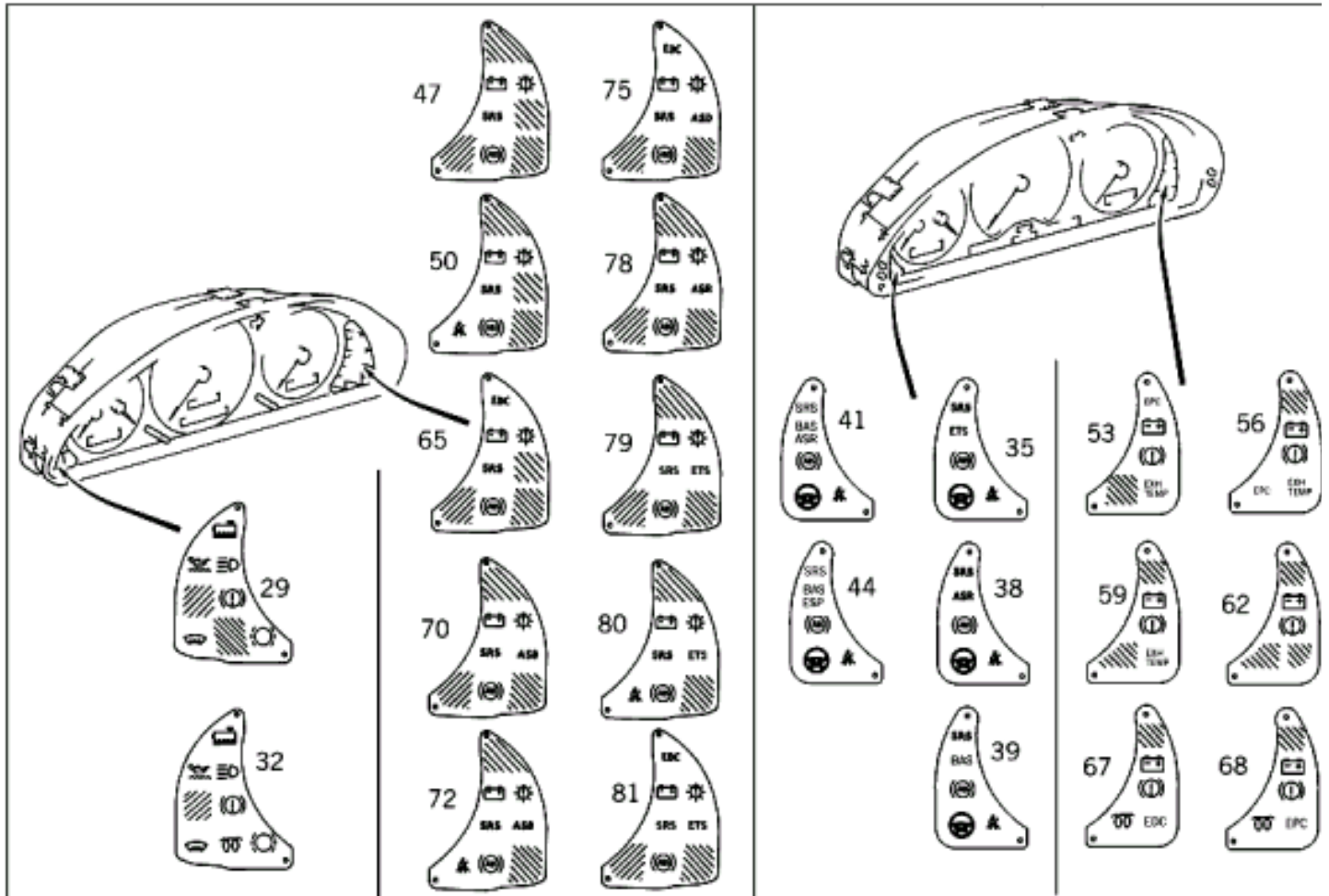
# FRAME FLOOR UNIT MAIN CABLE HARNESS



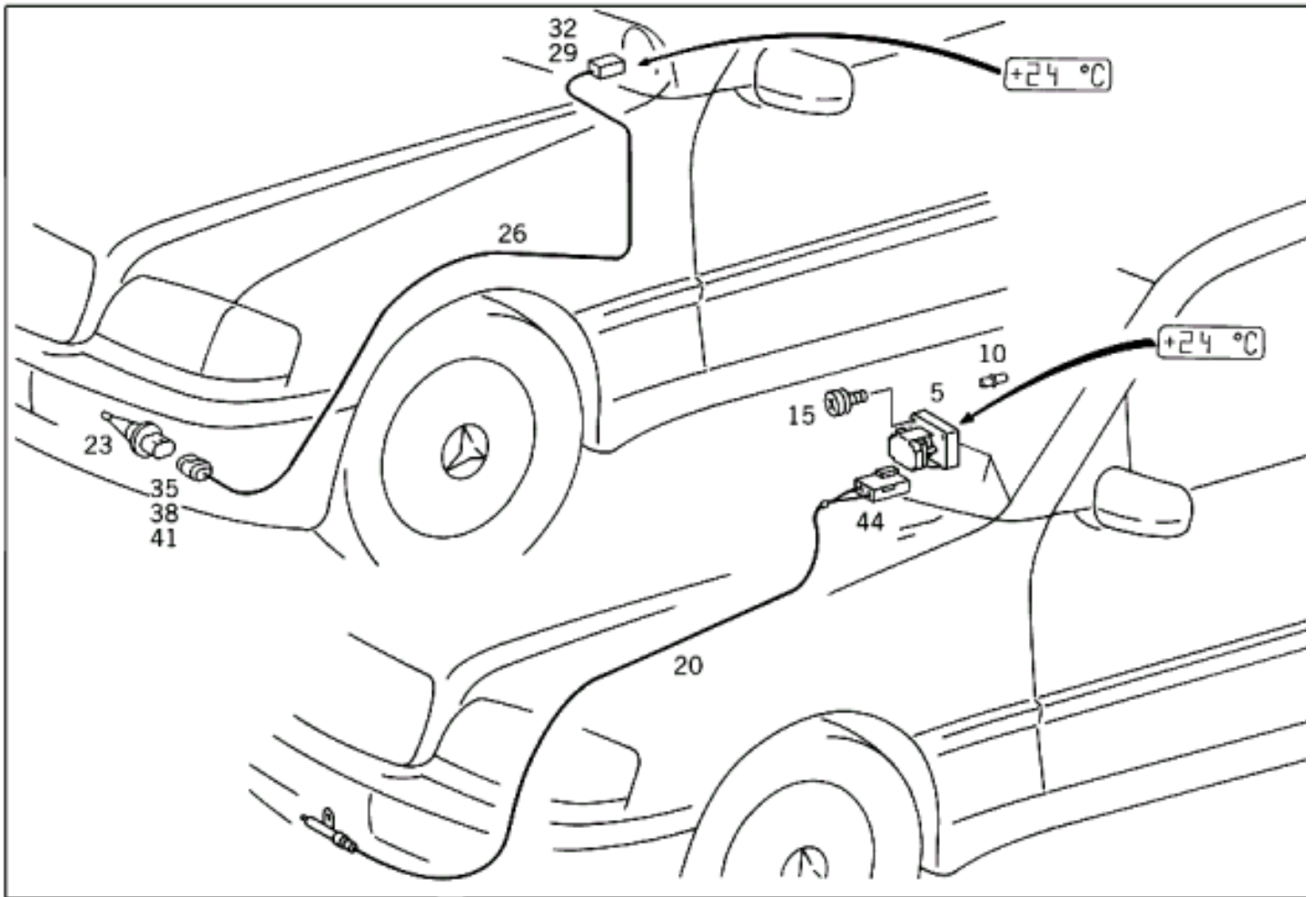
# INSTRUMENT CLUSTER



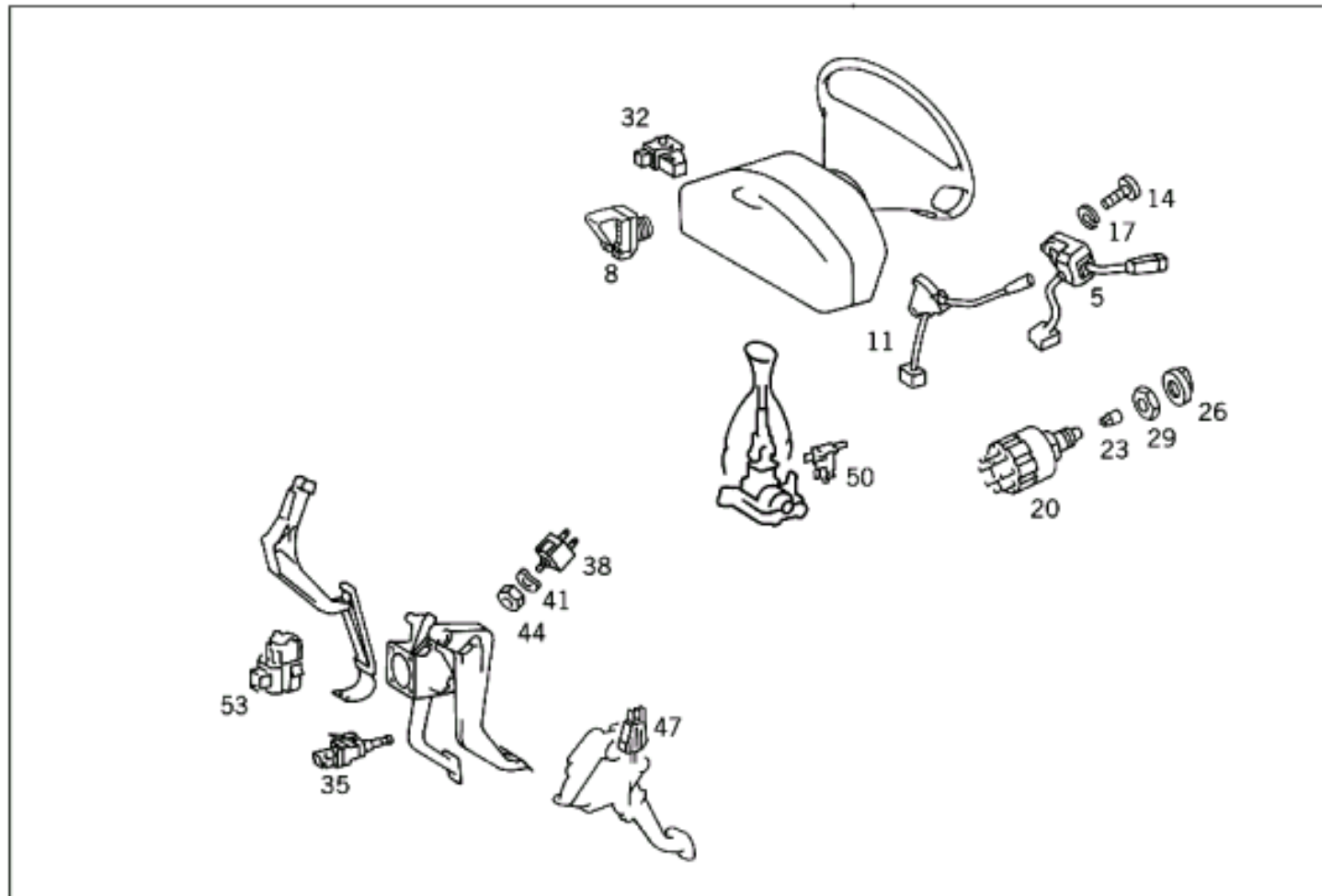
# INSTRUMENT CLUSTER



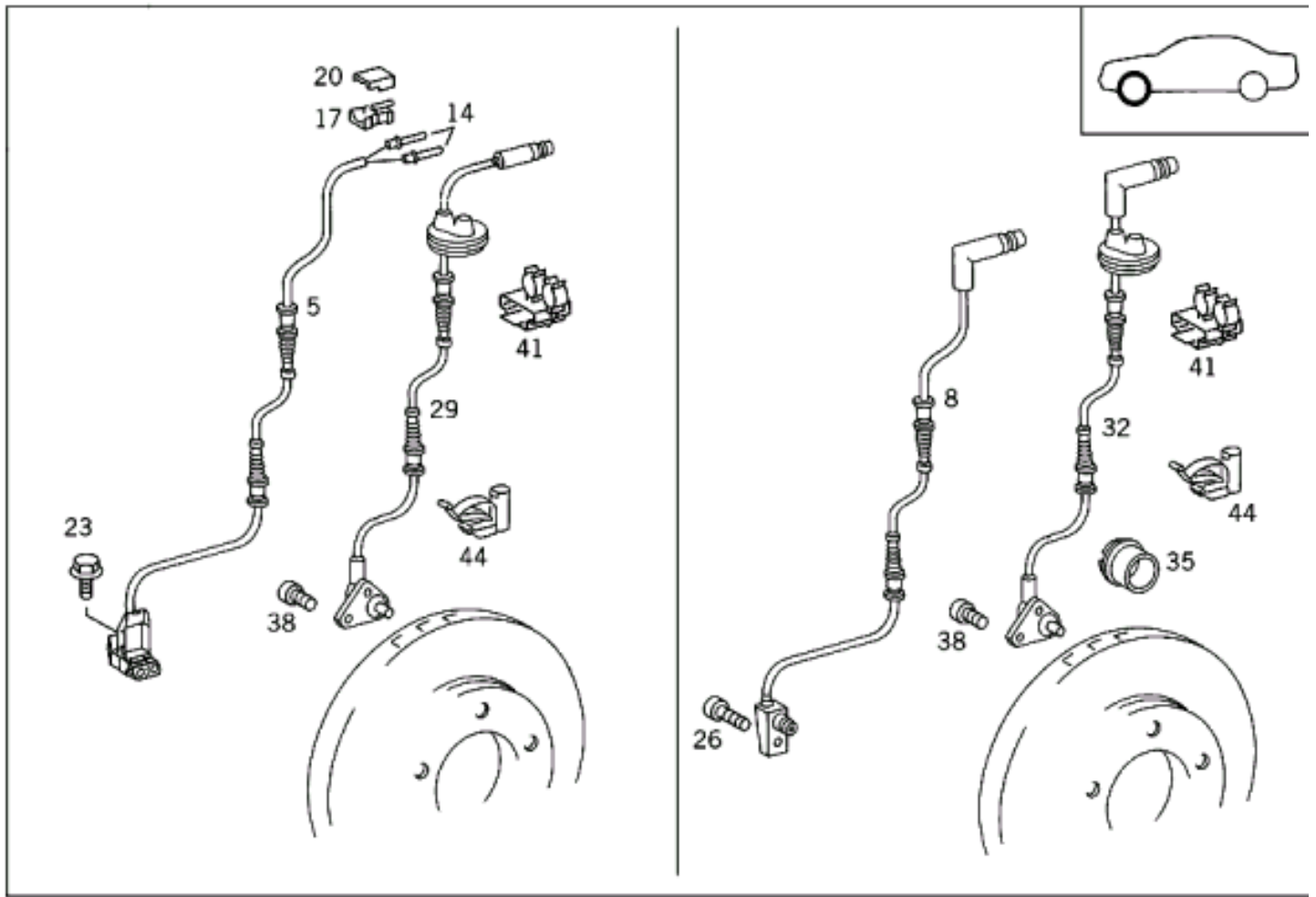
# OUTBOARD TEMPERATURE INDICATOR



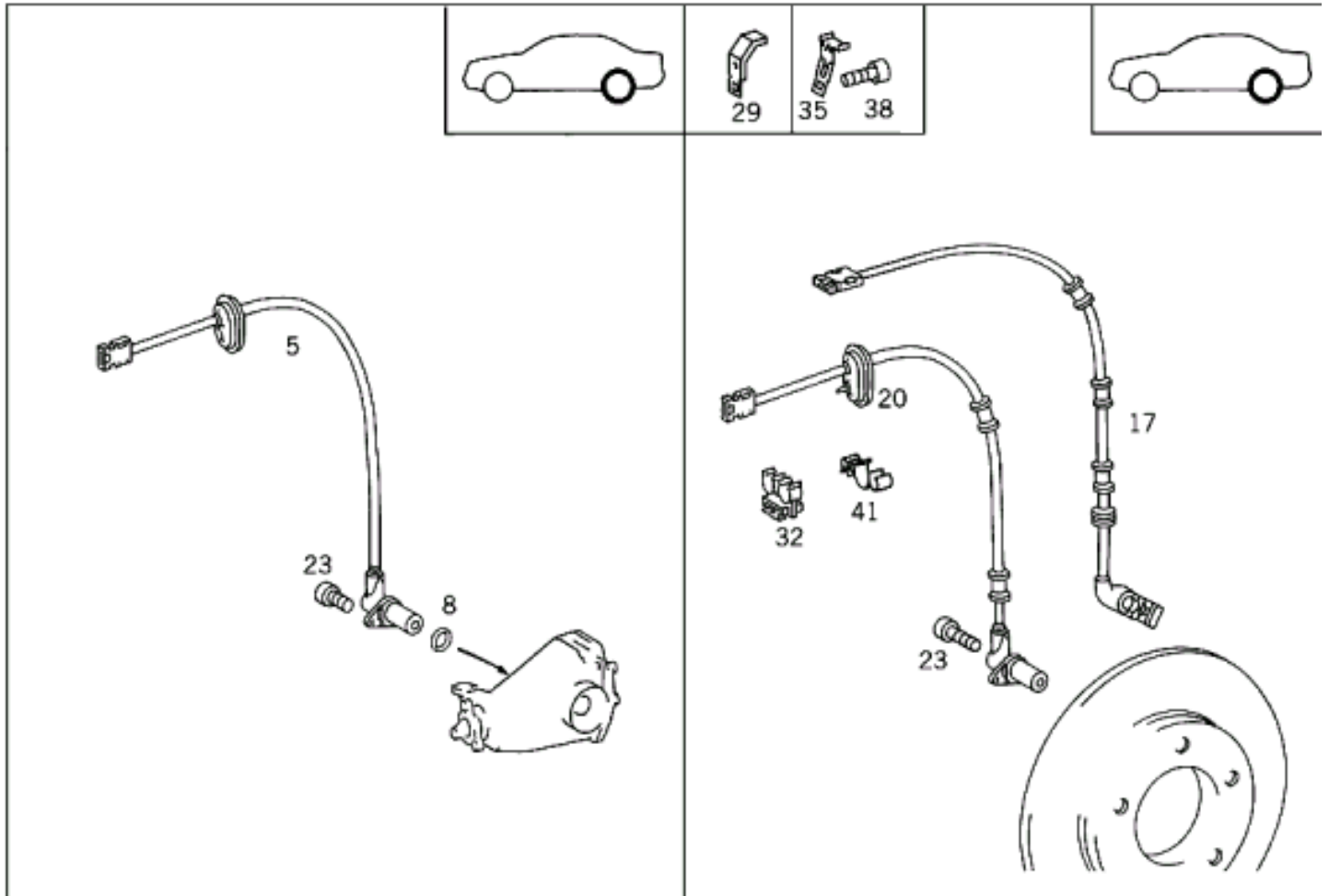
# SWITCH



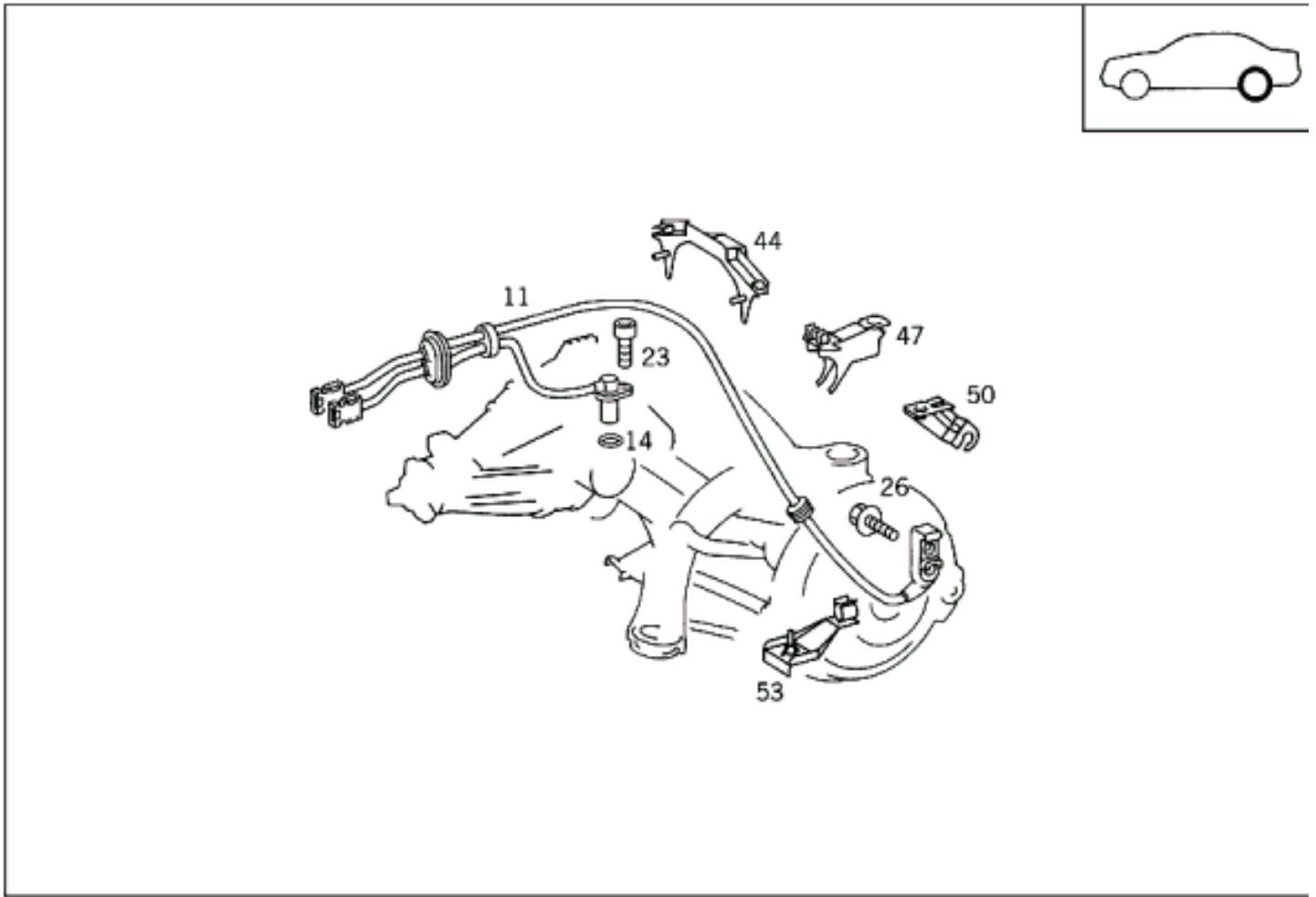
BRAKE LINING WEAR INDICATOR AND SPEED SENSON FRONT AXLE



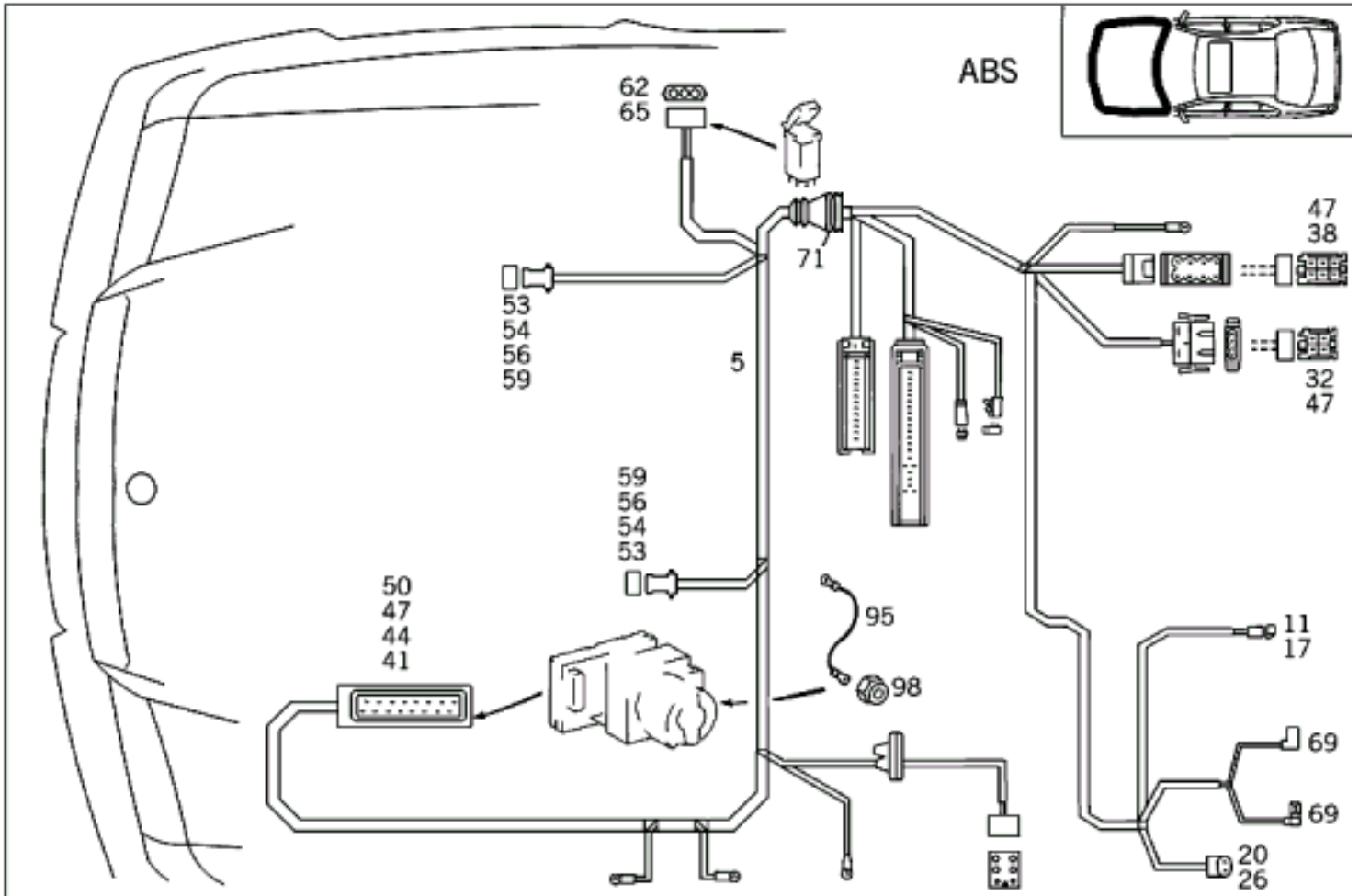
REAR AXLE WIRING



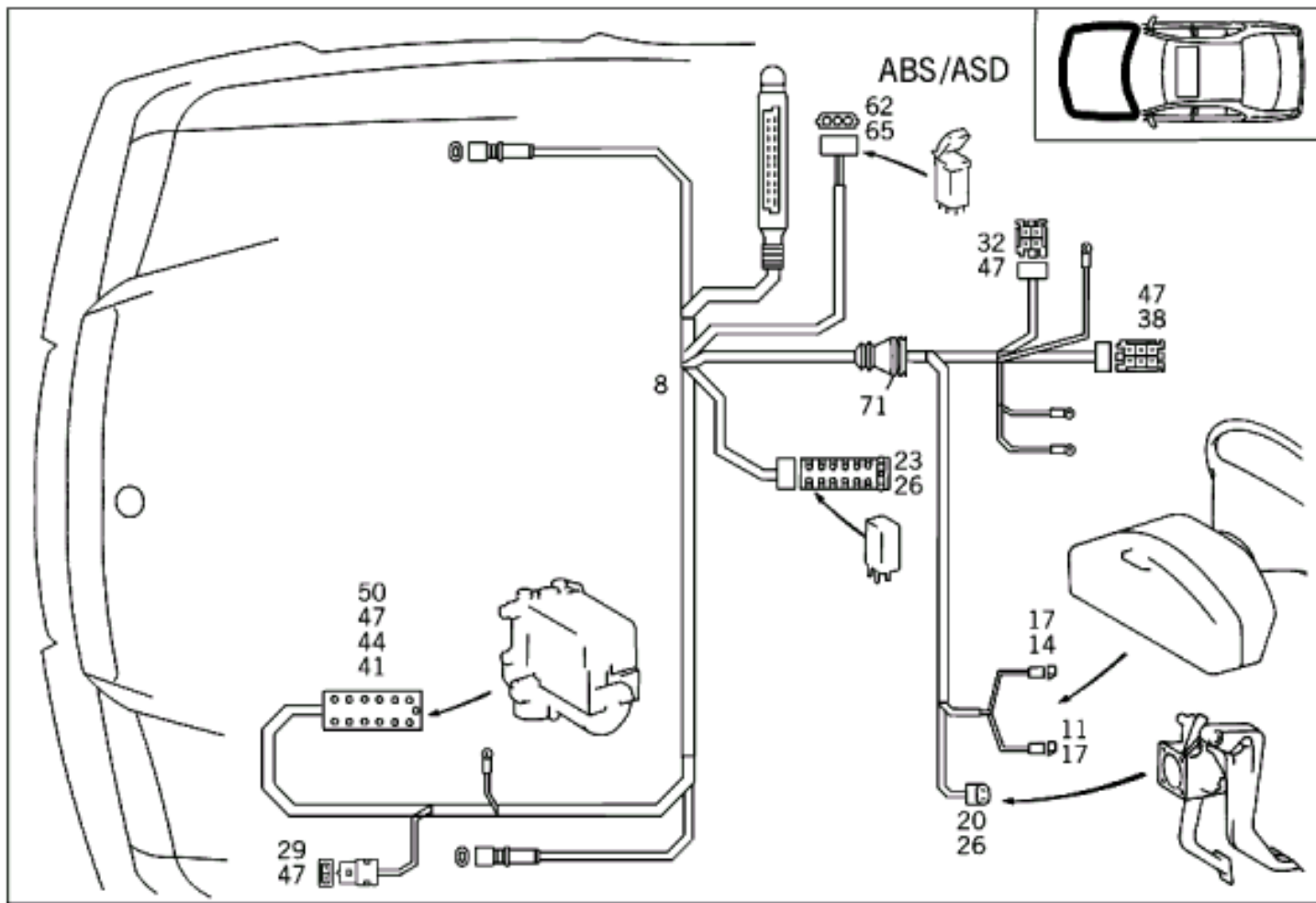
# REAR AXLE WIRING



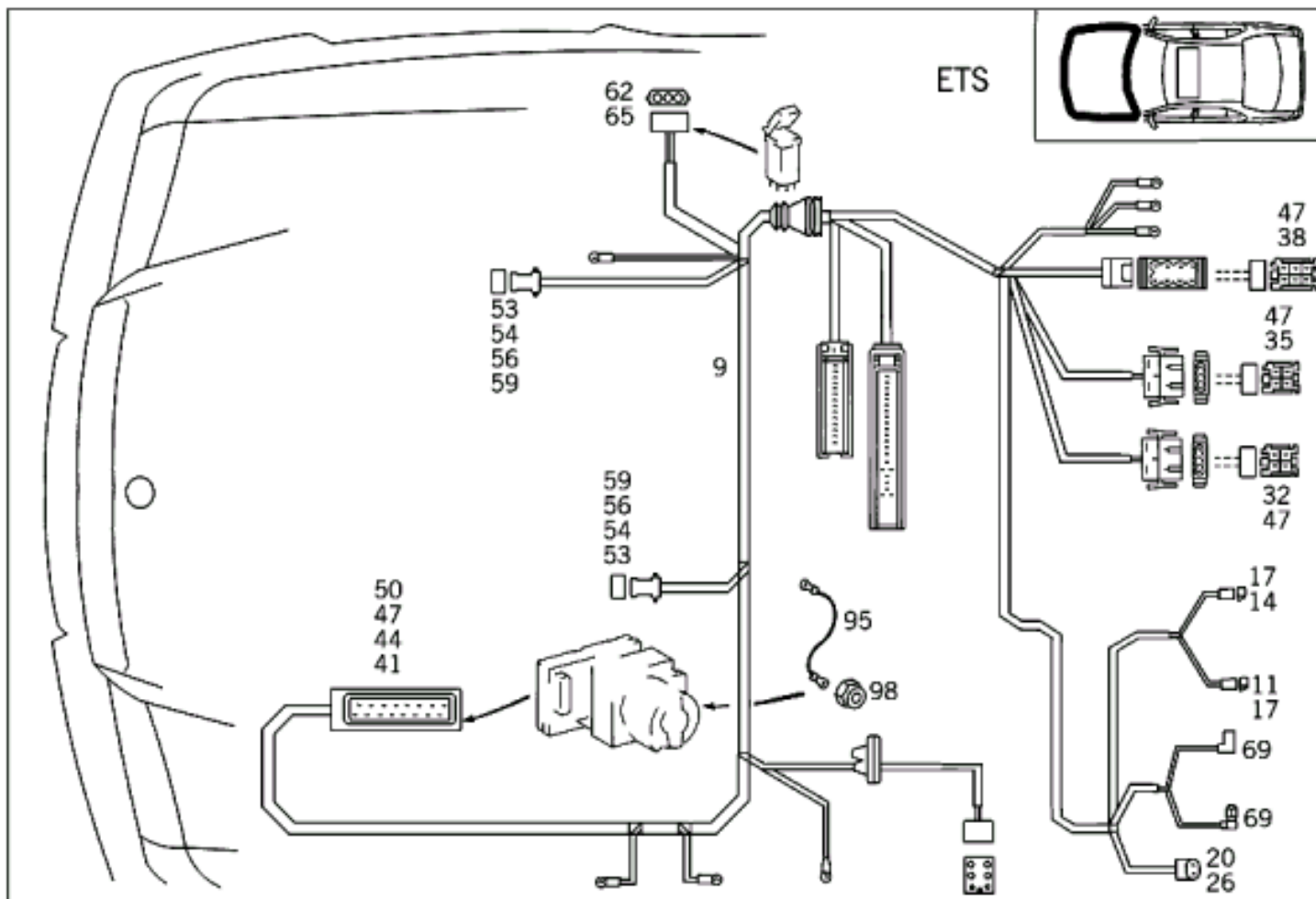
# ABS, ASD AND ELETRONIC TRACTION SYSTEM



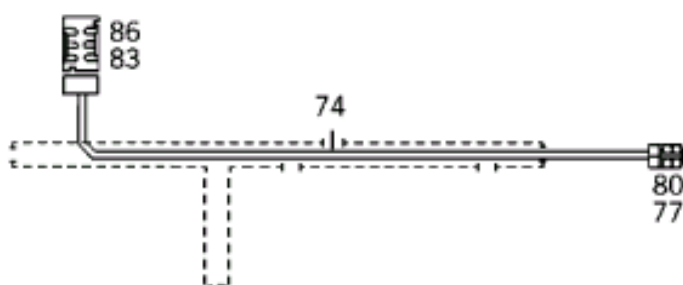
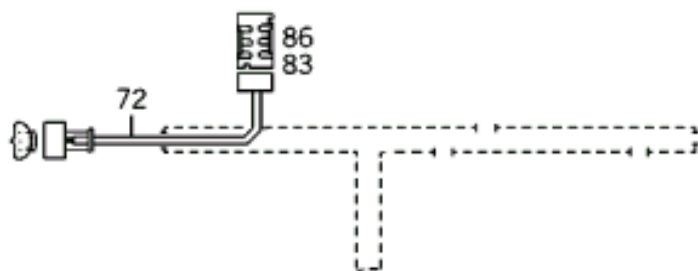
ABS, ASD AND ELETRONIC TRACTION SYSTEM



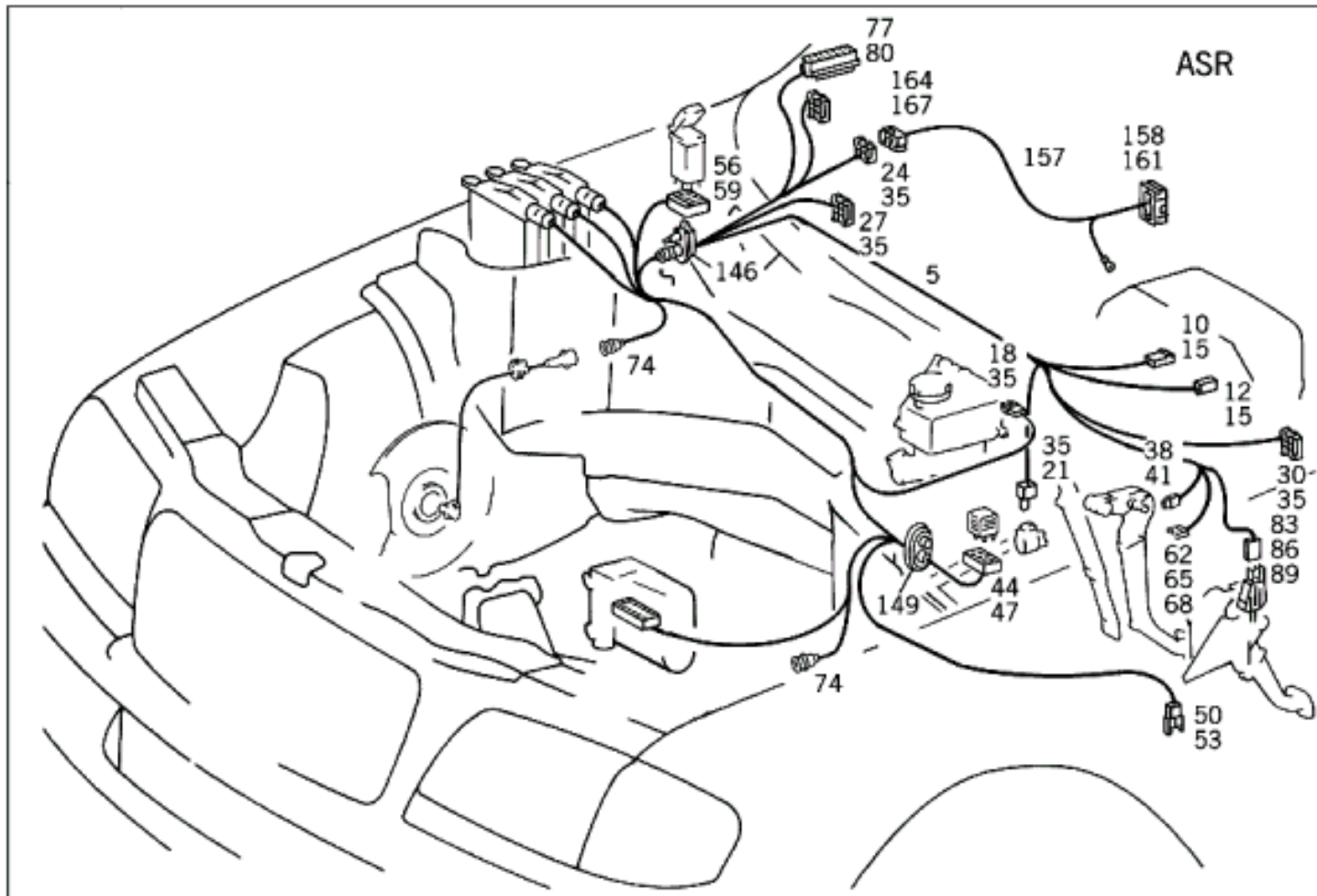
ABS, ASD AND ELETRONIC TRACTION SYSTEM



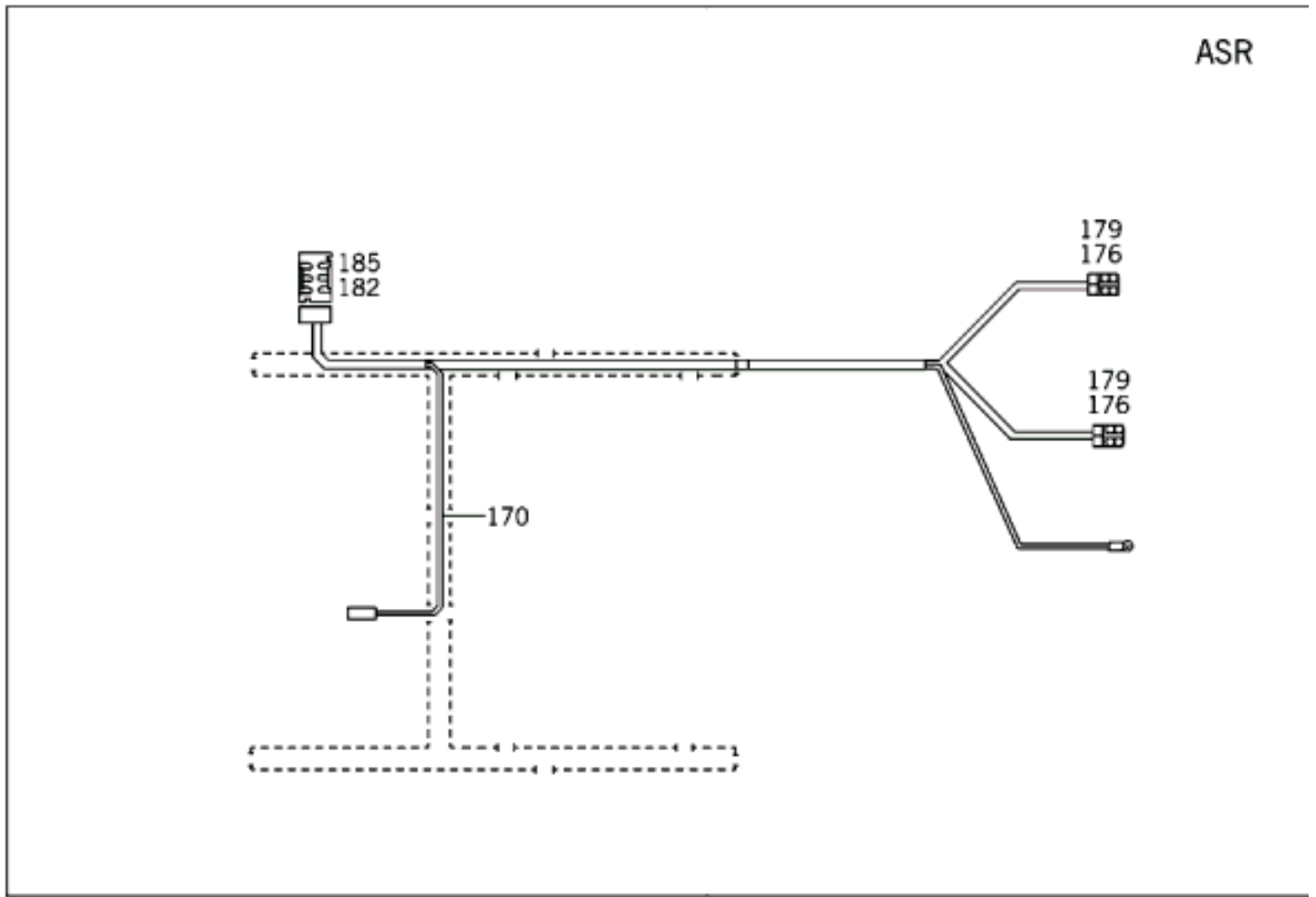
# ABS, ASD AND ELETRONIC TRACTION SYSTEM



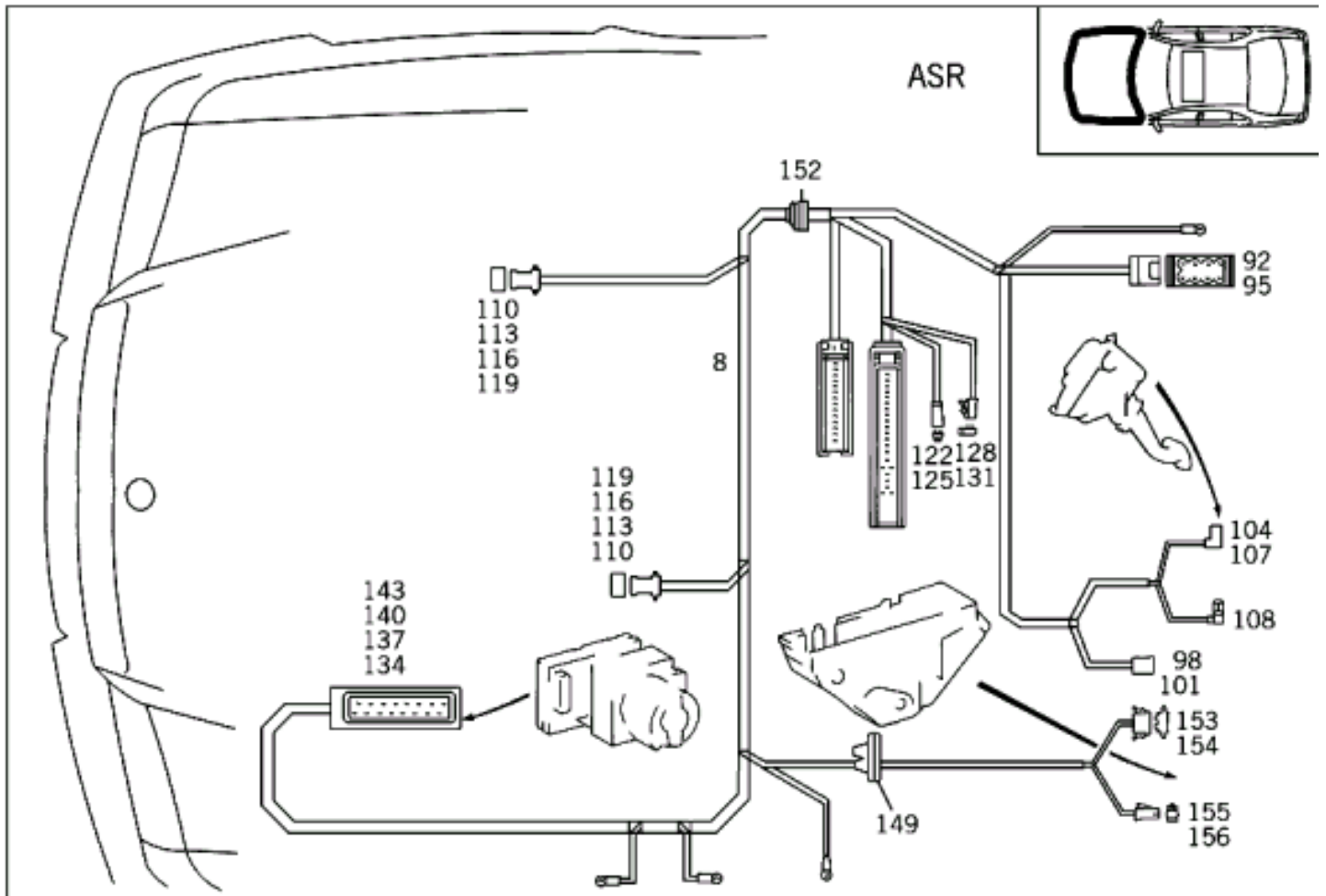
## ACCELERATION SKID CONTROL



# ACCELERATION SKID CONTROL

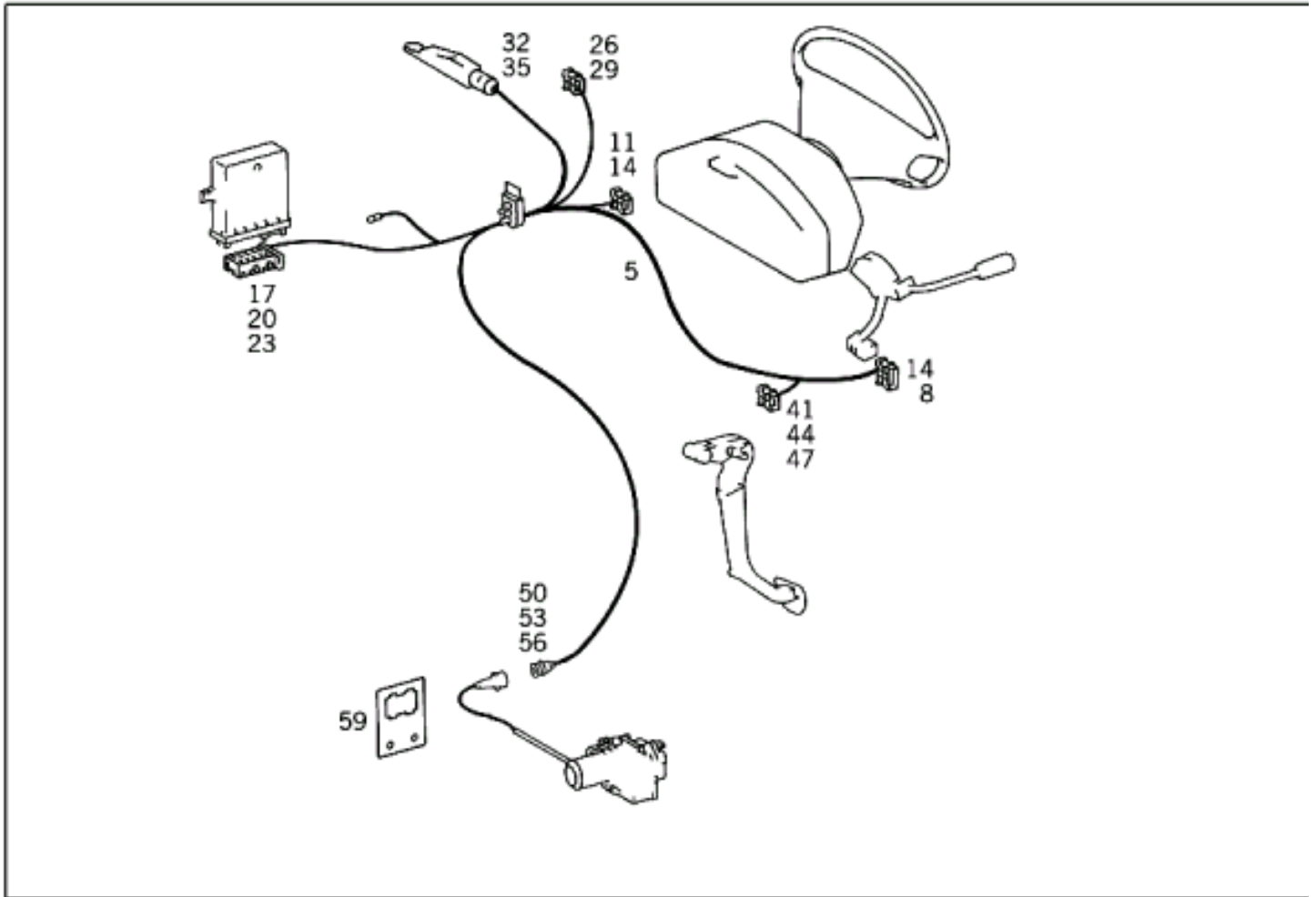


# ACCELERATION SKID CONTROL

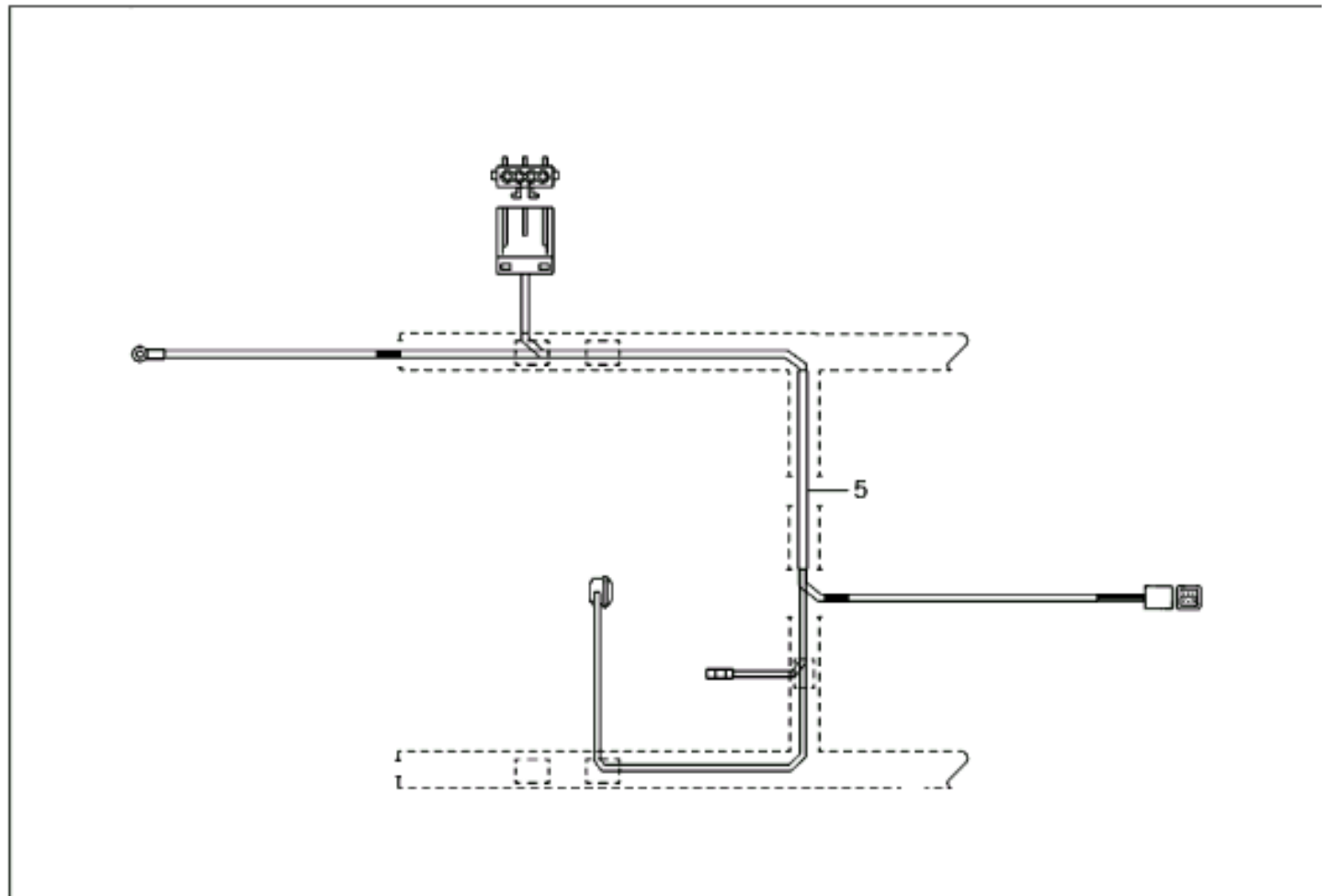




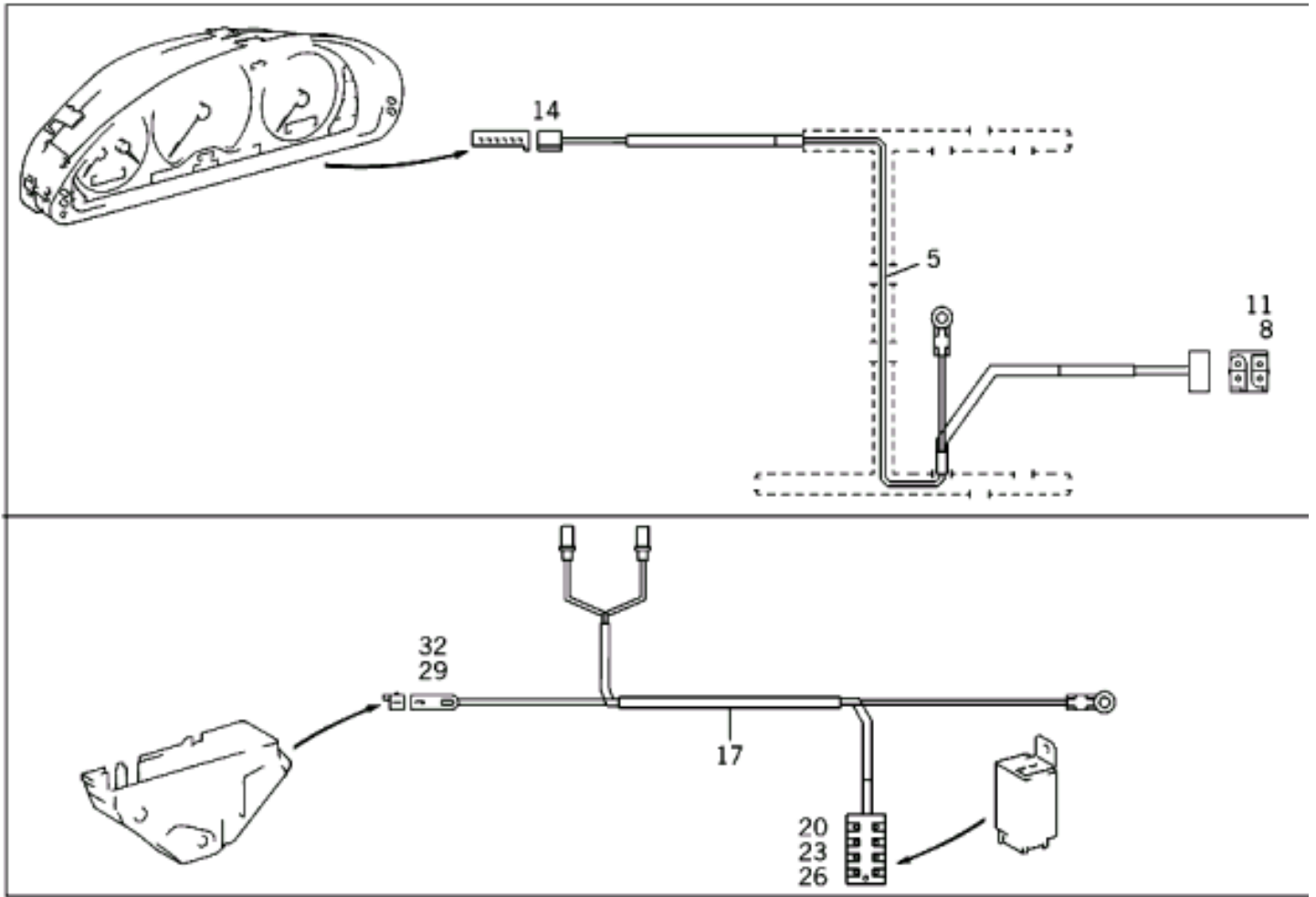
# TEMPOMAT (CRUISE CONTROL)



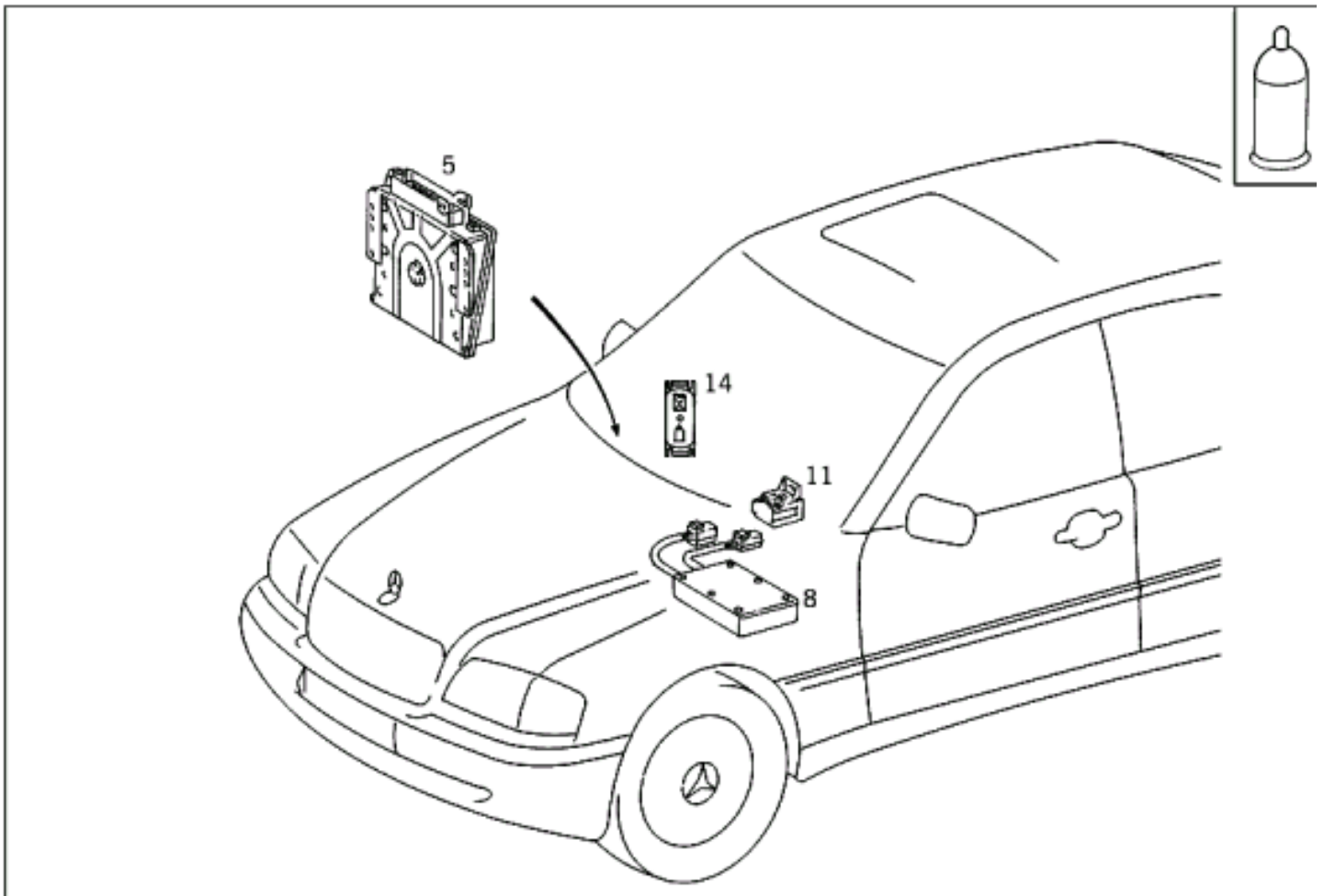
# CABLE HARNESS HAETER BOOSTER



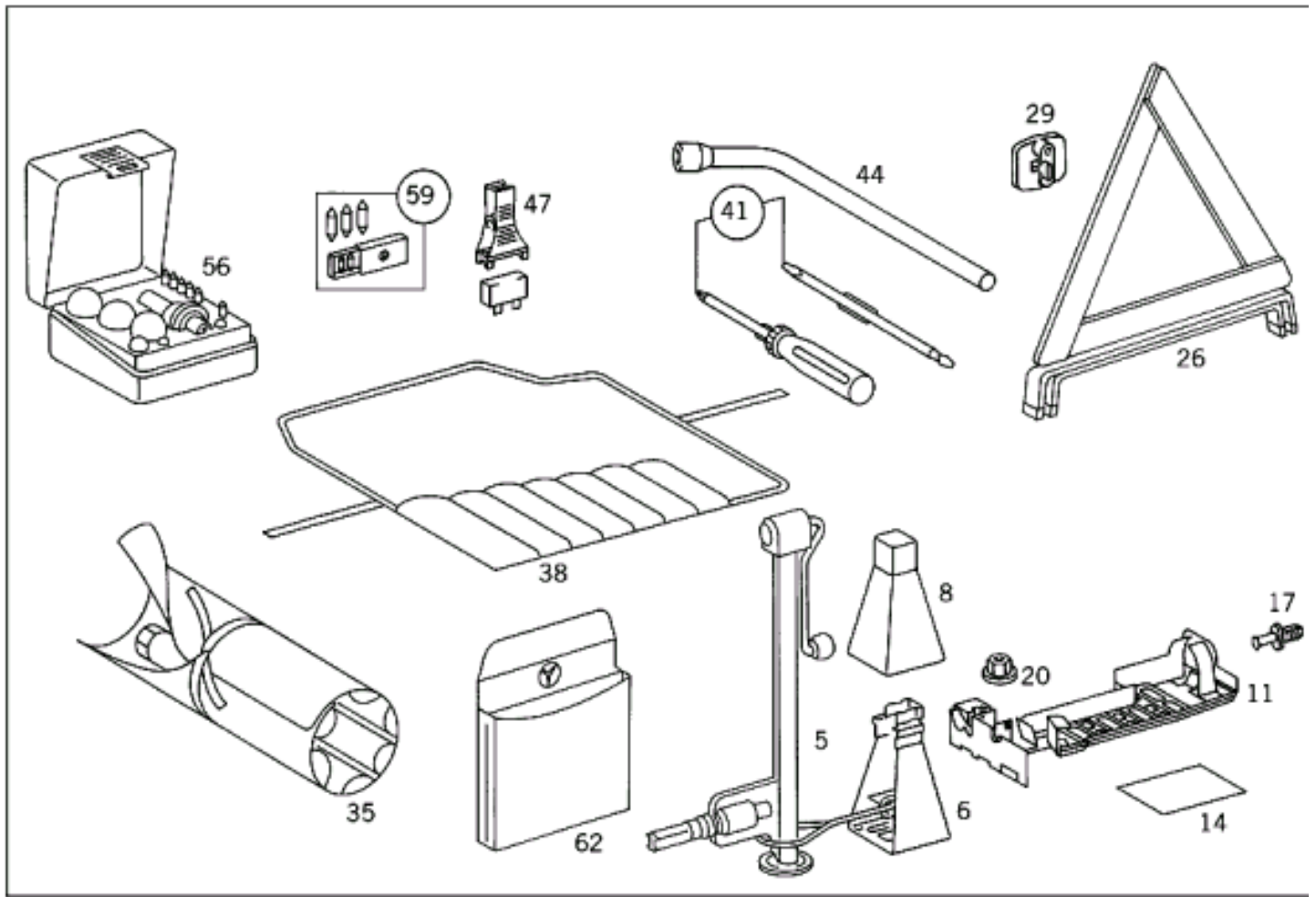
# CABLE HARNESS BELT WARNING



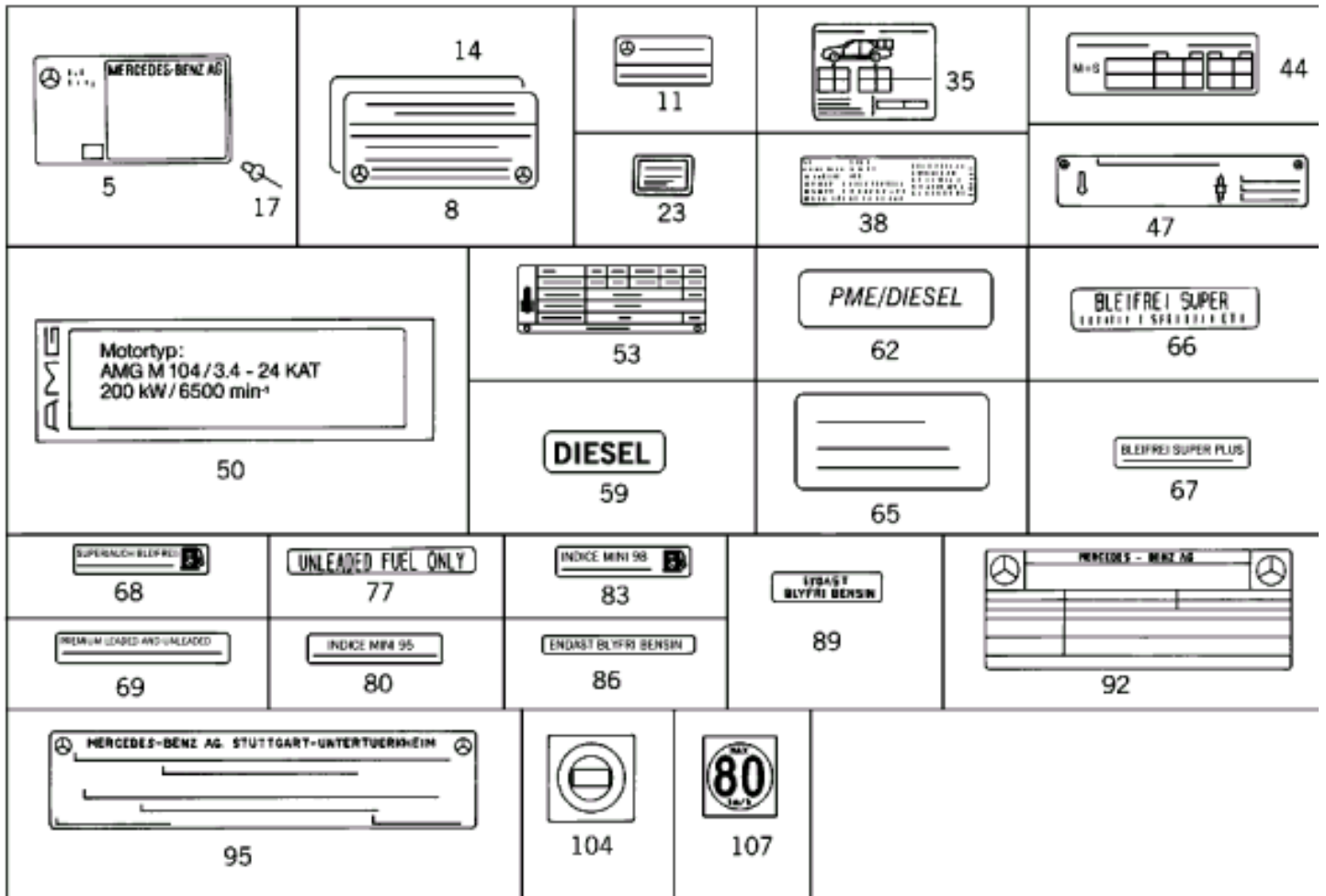
# ADDITIONAL PARTS FOR GAS OPERATION



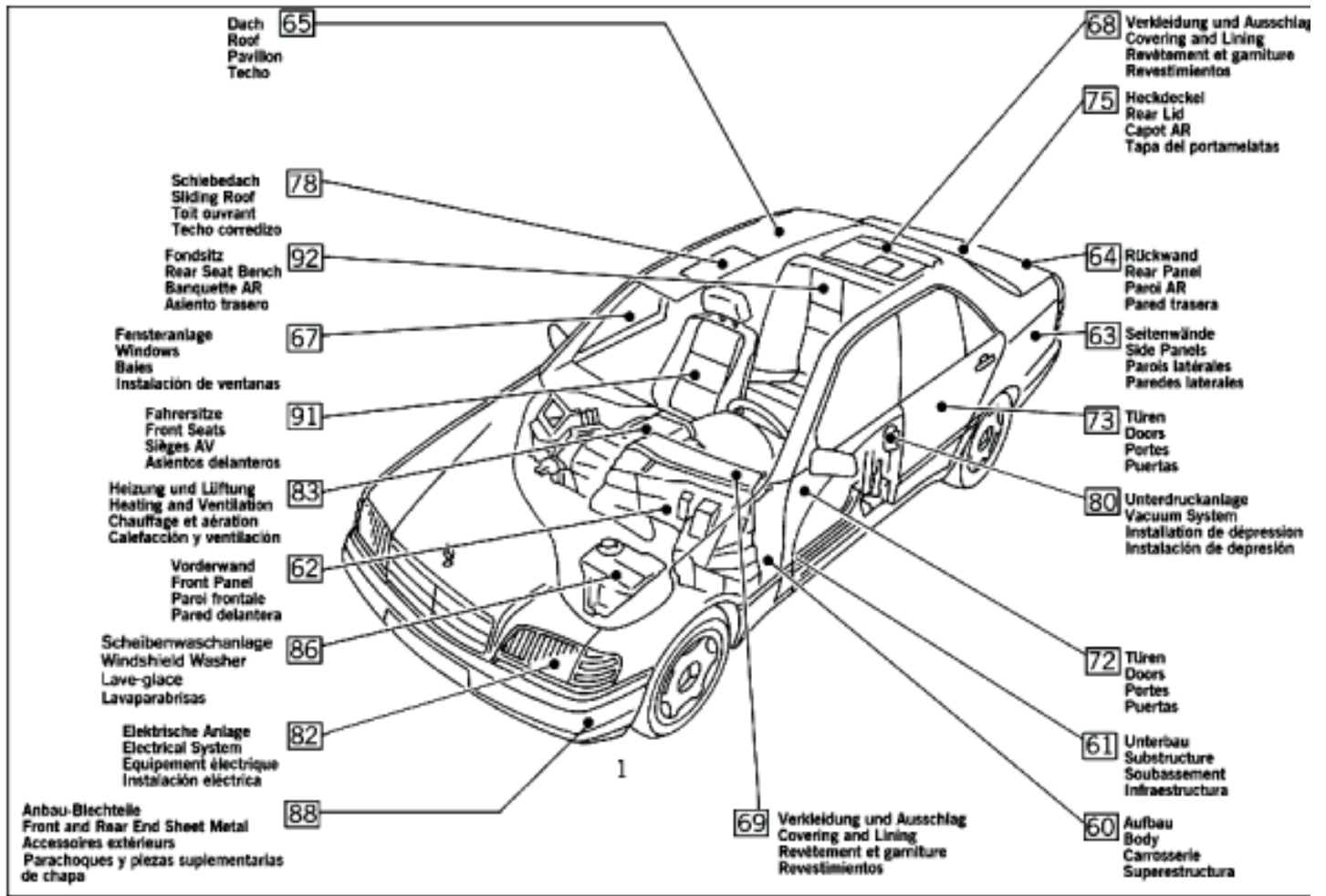
TOOLS AND ACCESSORIES



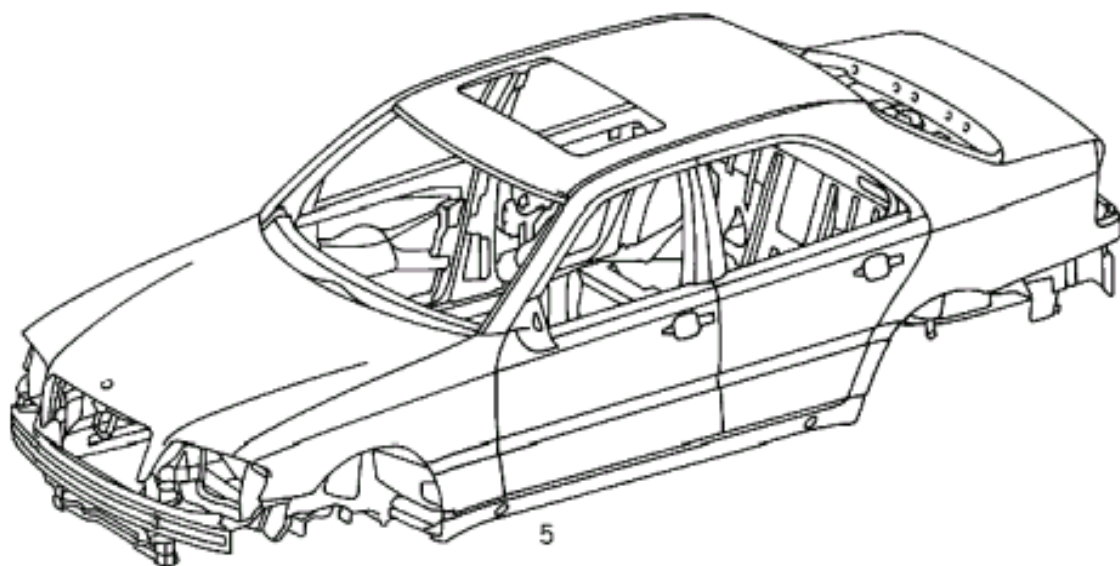
TYPE PLATE, GUIDE SIGNS



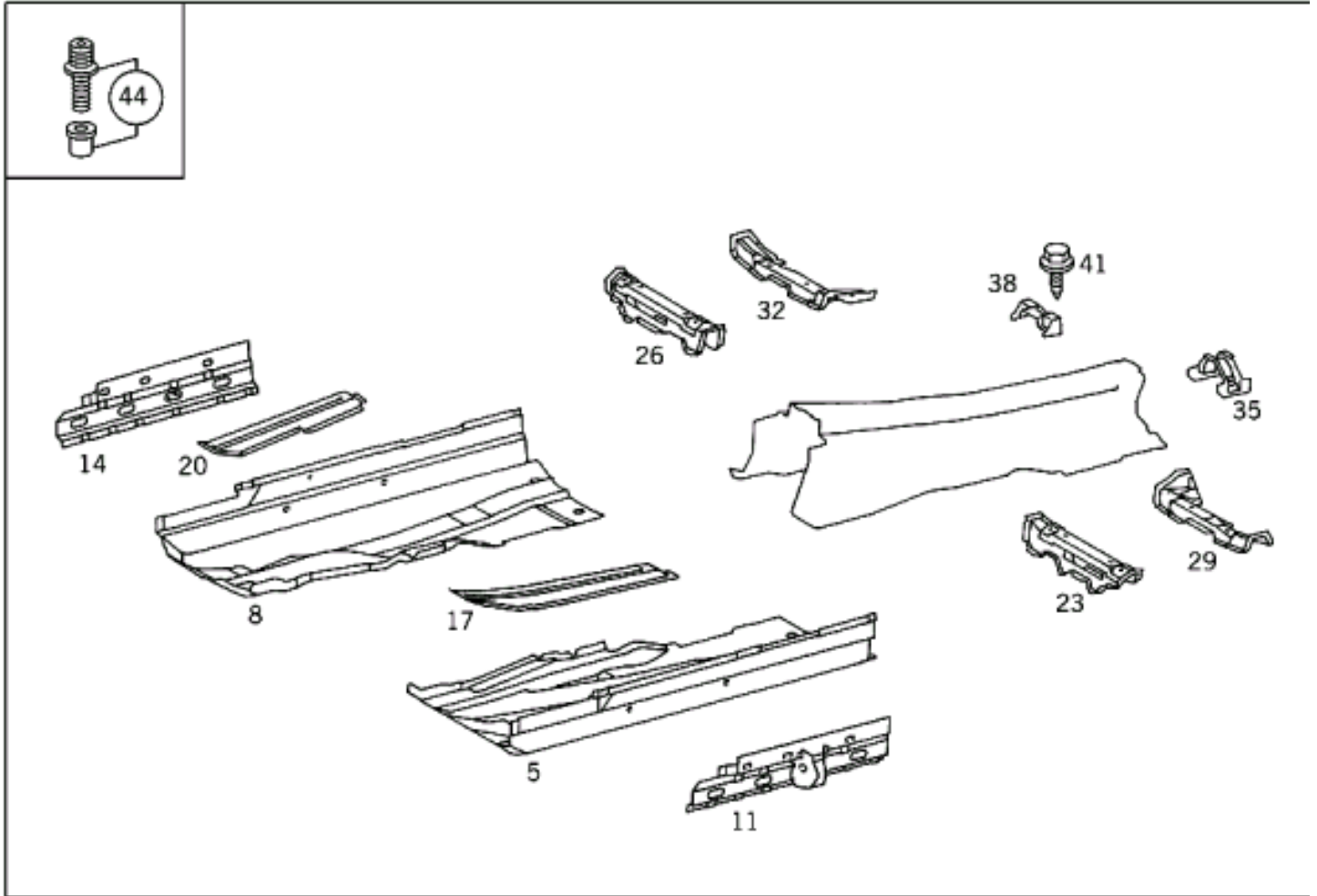
# DESING GROUP ORIENTATION TABLE



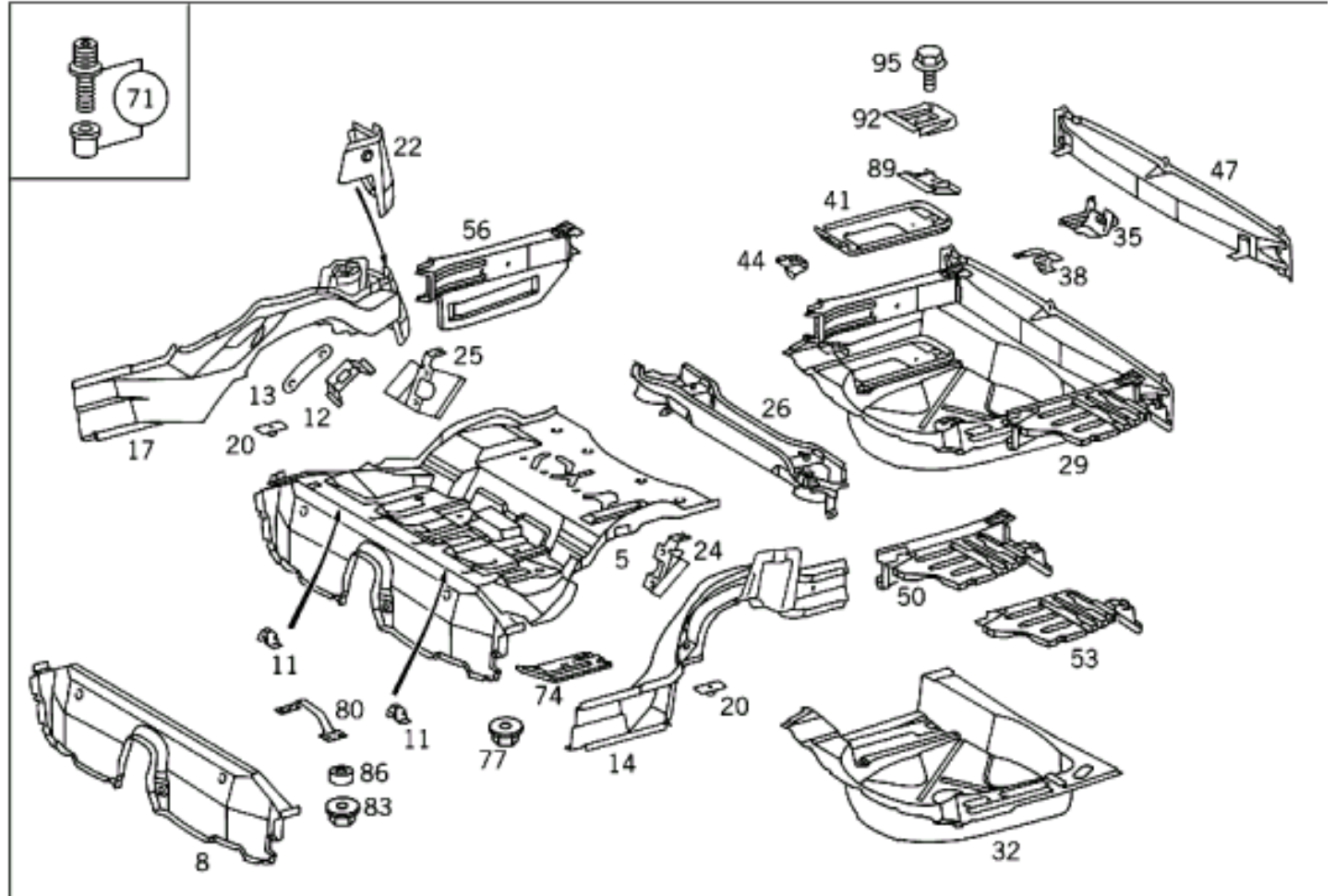
# SHELL



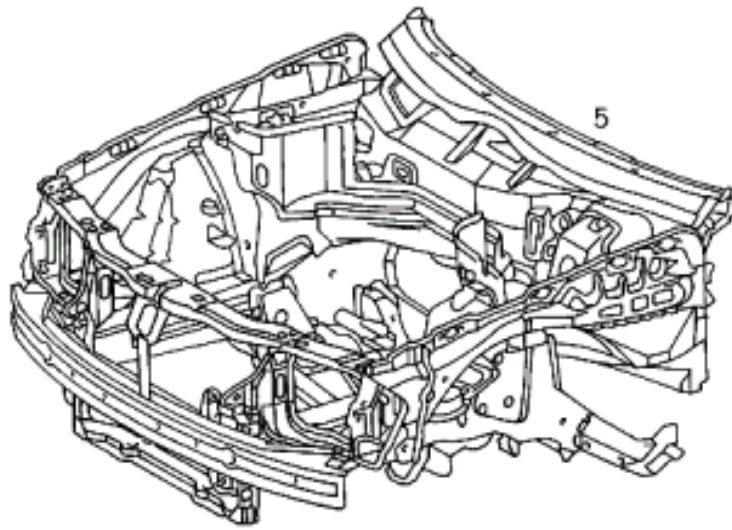
# FRONT FLOOR



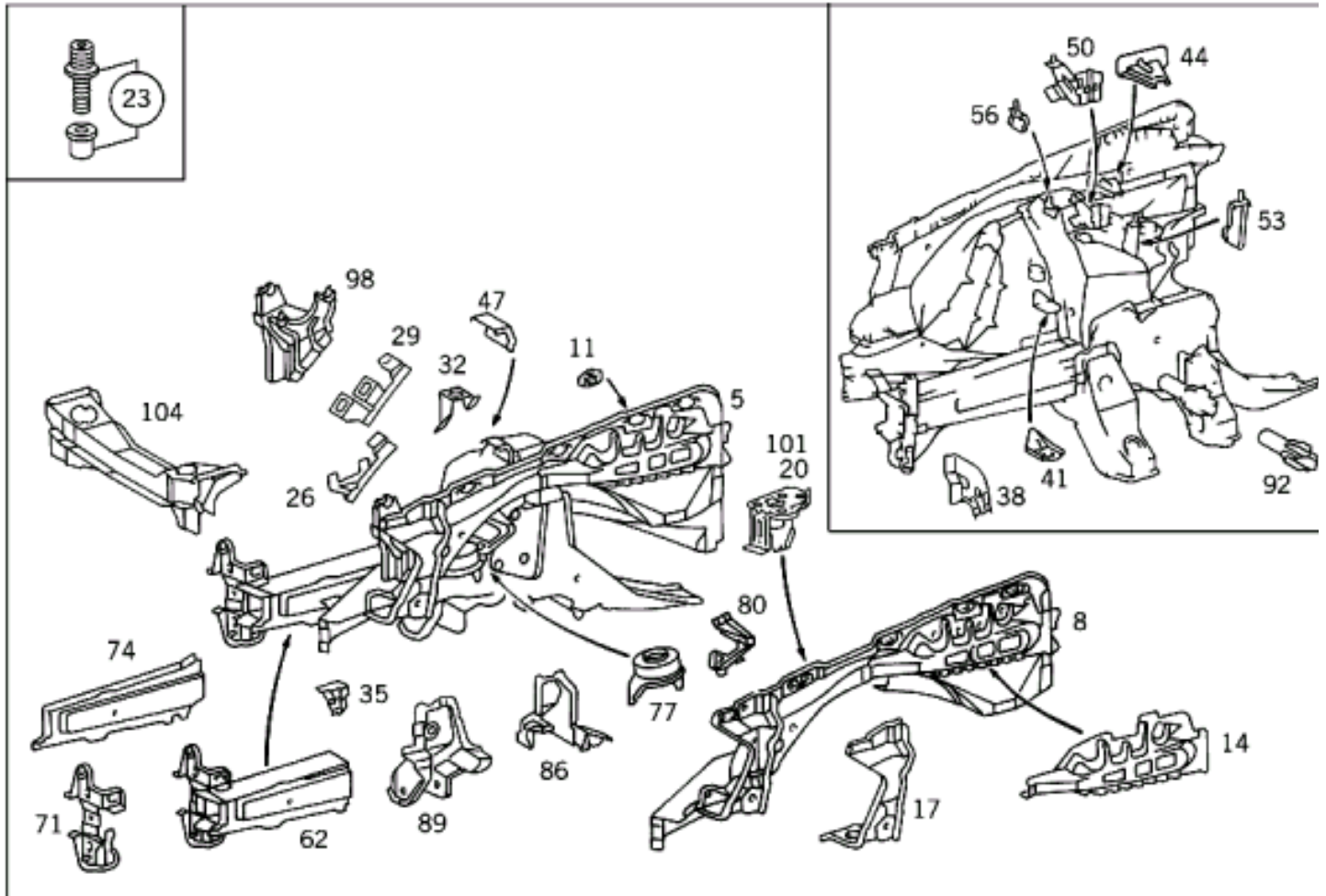
# REAR END FLOOR



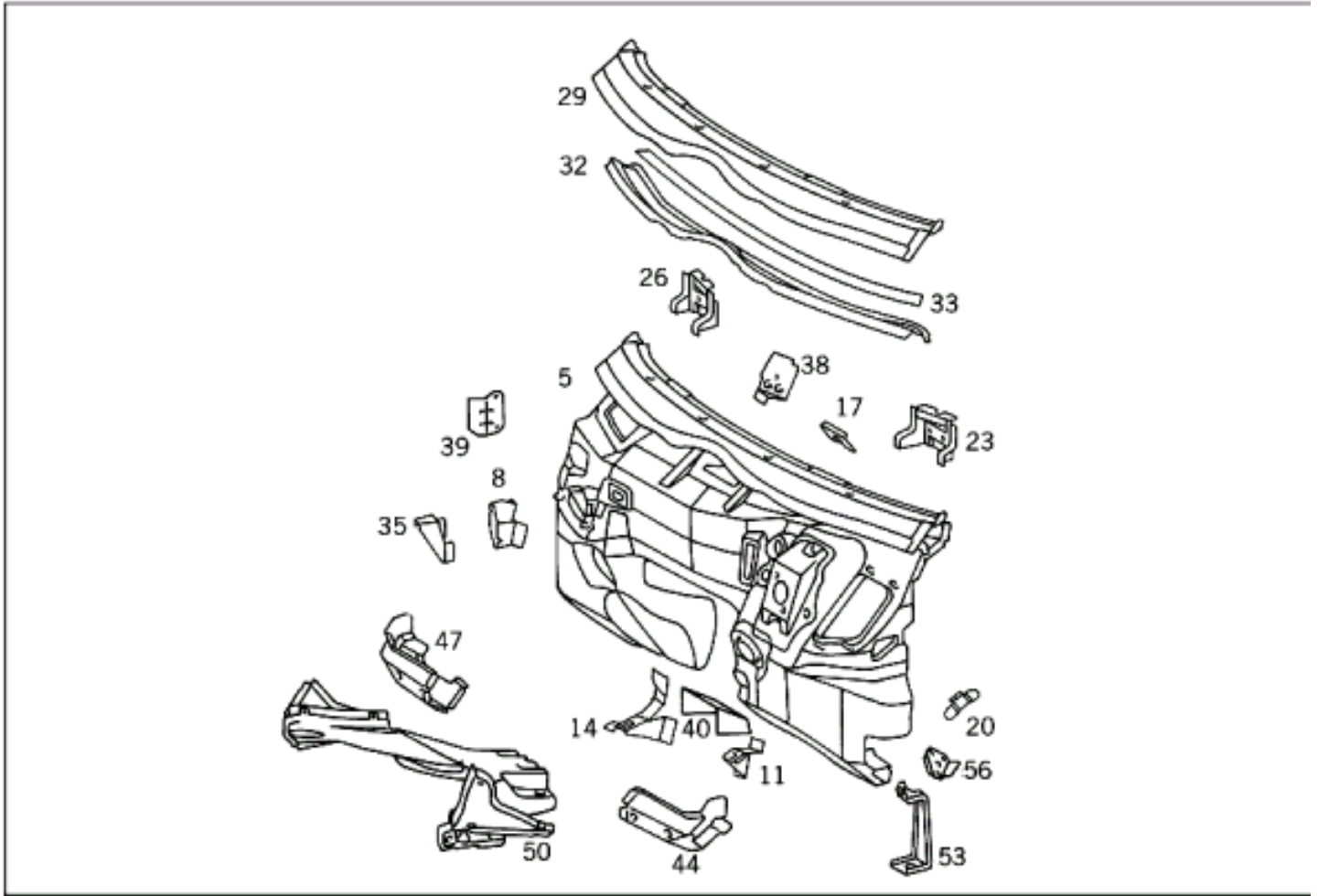
COWL



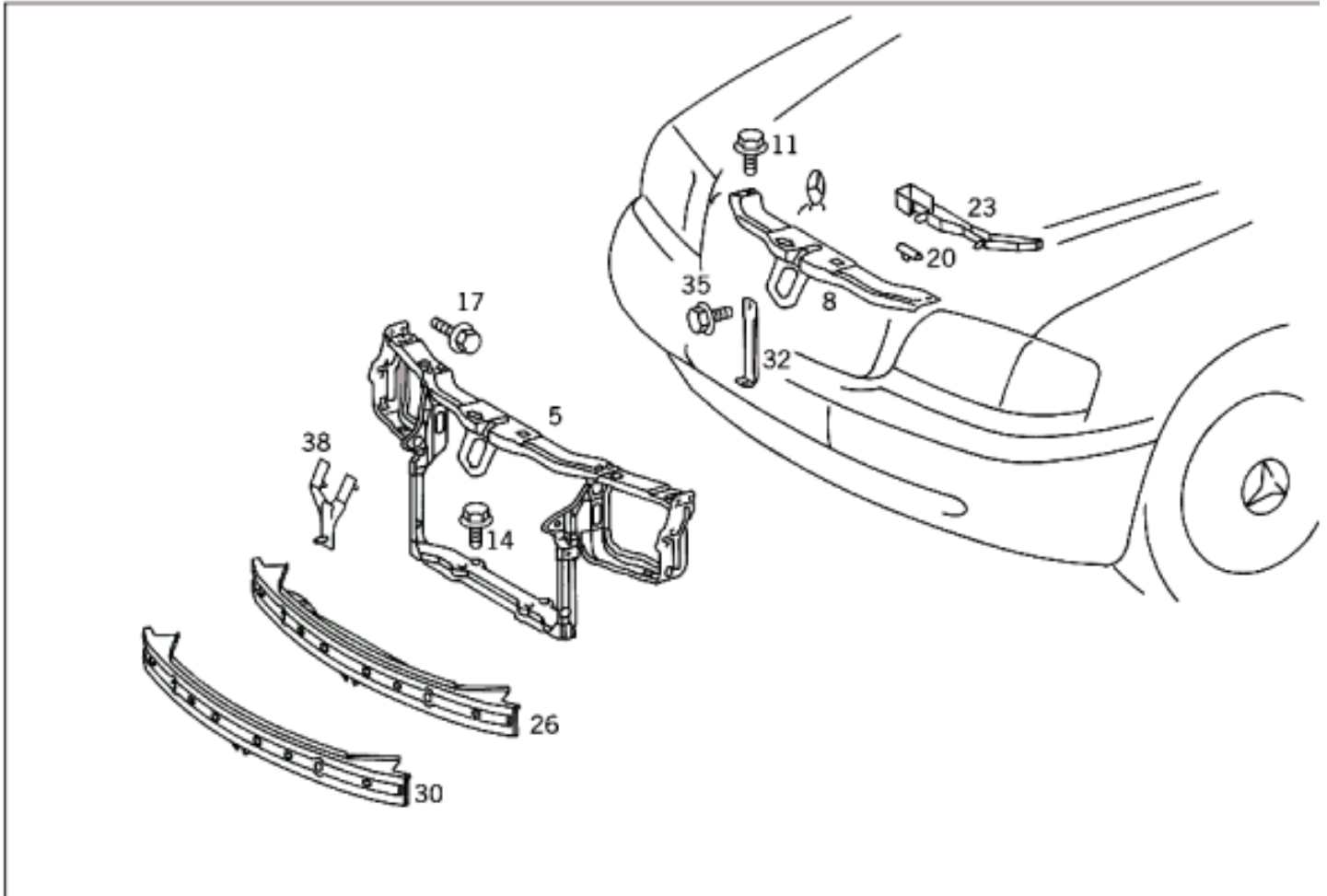
WHEEL HOUSE FRONT SUBFRAME



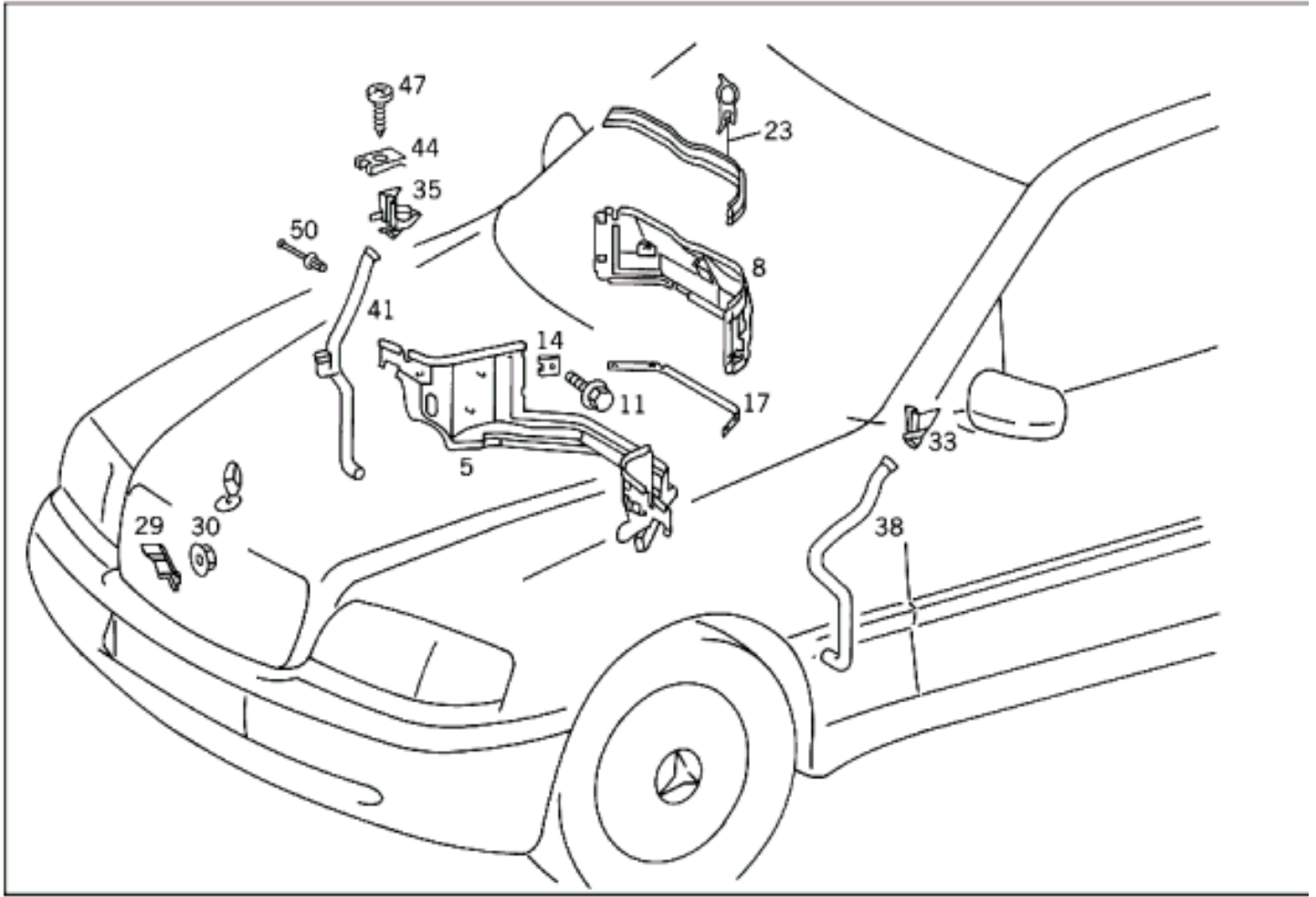
## FIRE WALL AND CONNECTION PARTS



## FRONT STIFFENING AND RADIATOR SUPPORT



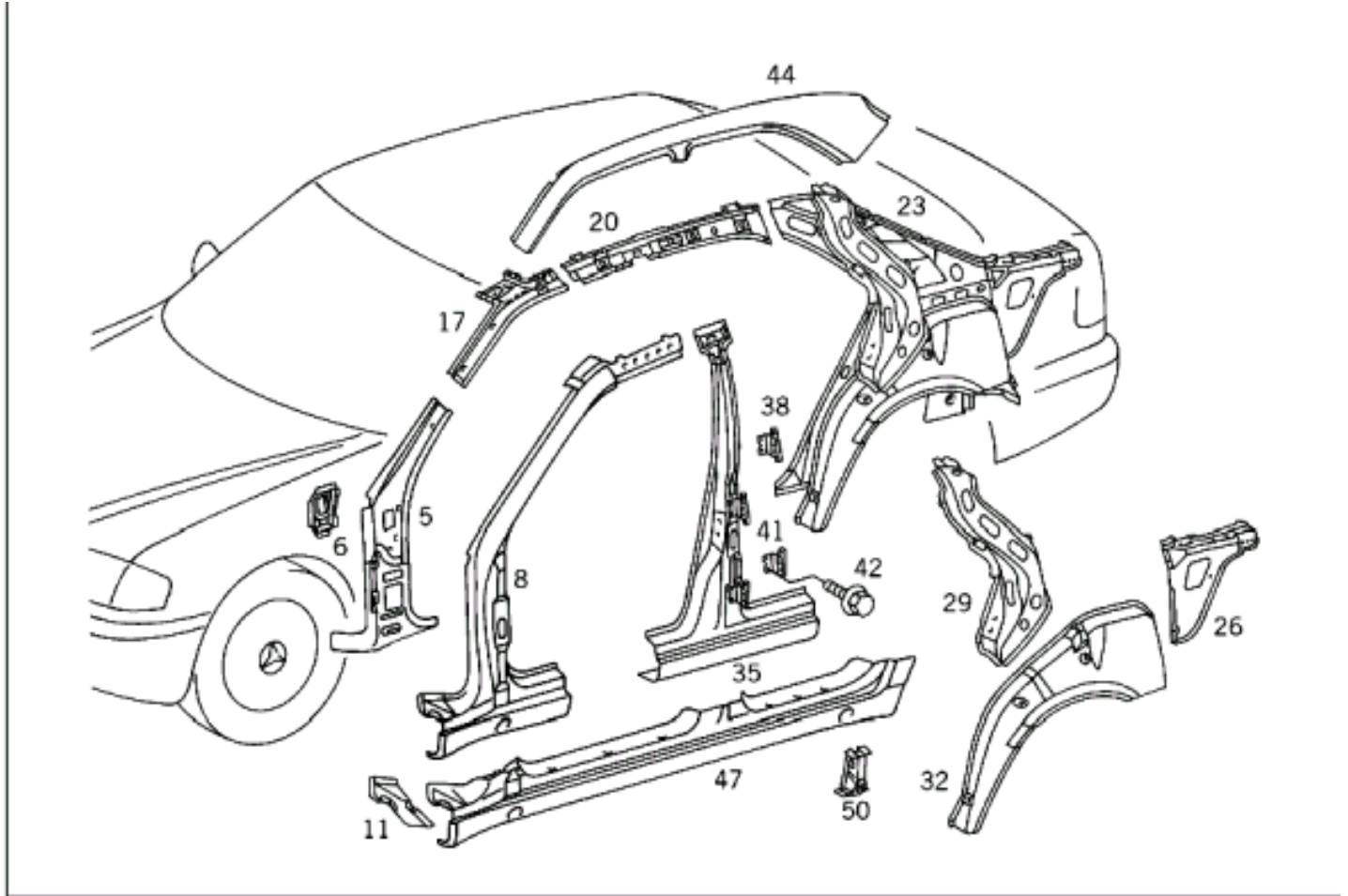
ENGINE COMPARTMENT PARTITION PANEL, WHEELHOUSE ATTACHMENT PARTS



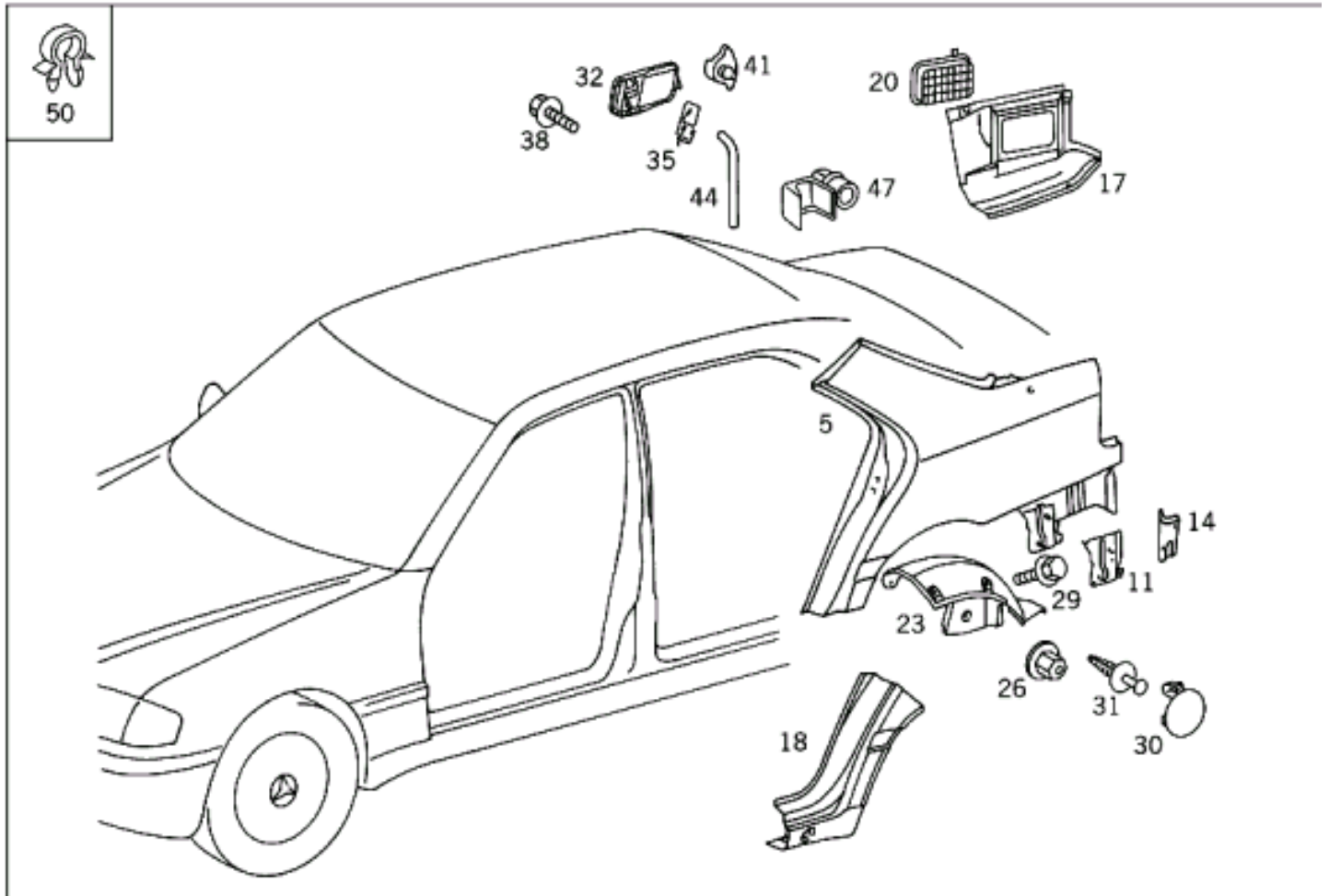
CROSS MEMBER BELOW INSTRUMENT PANEL



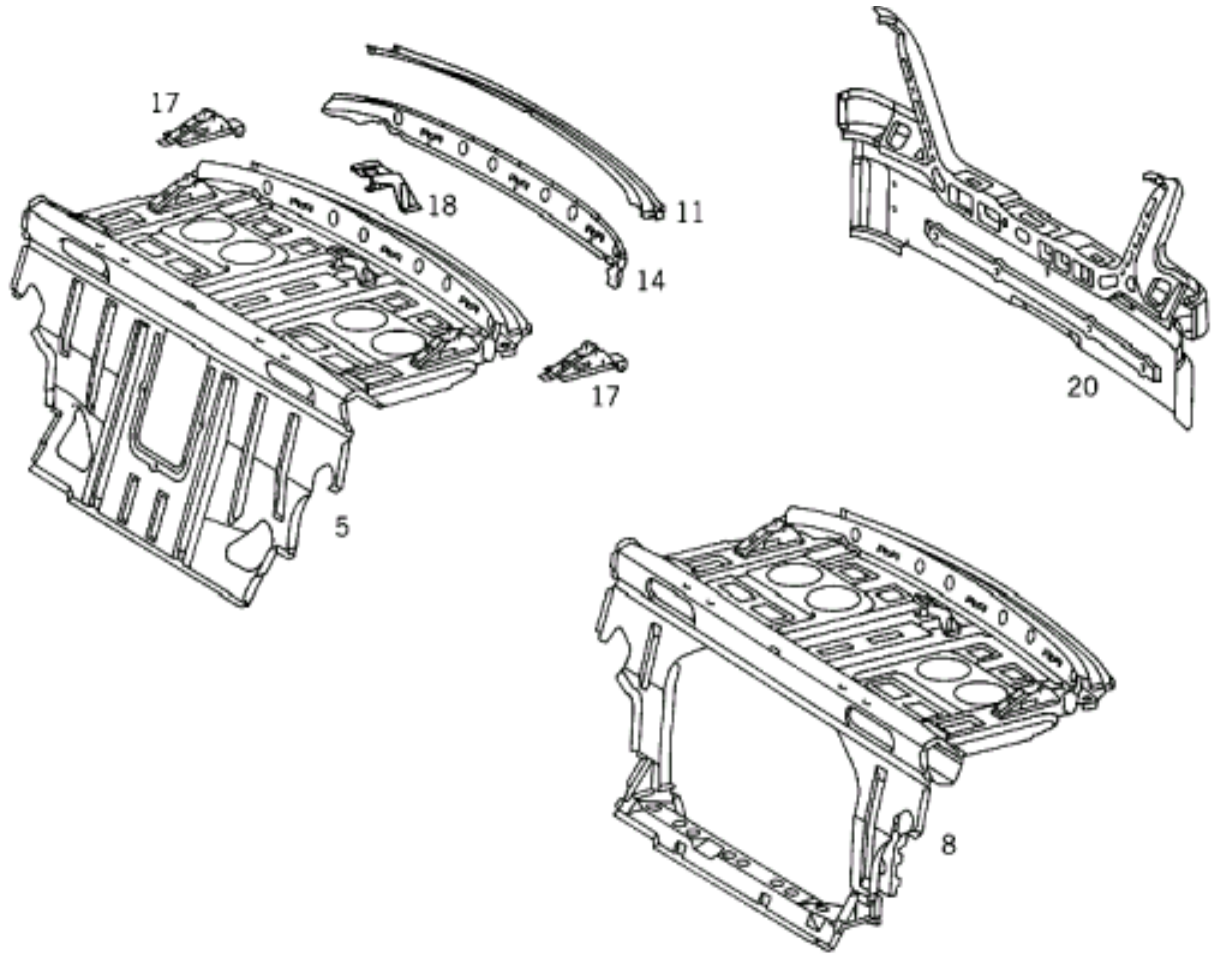
## SIDE PANELS



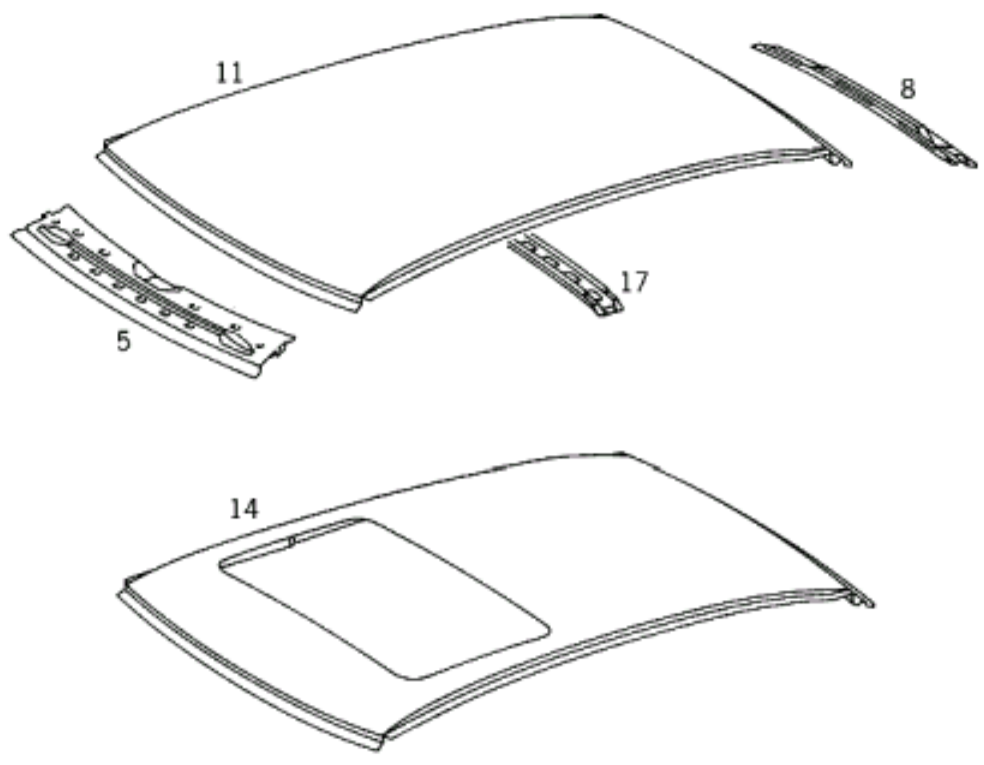
## REAR FENDERS



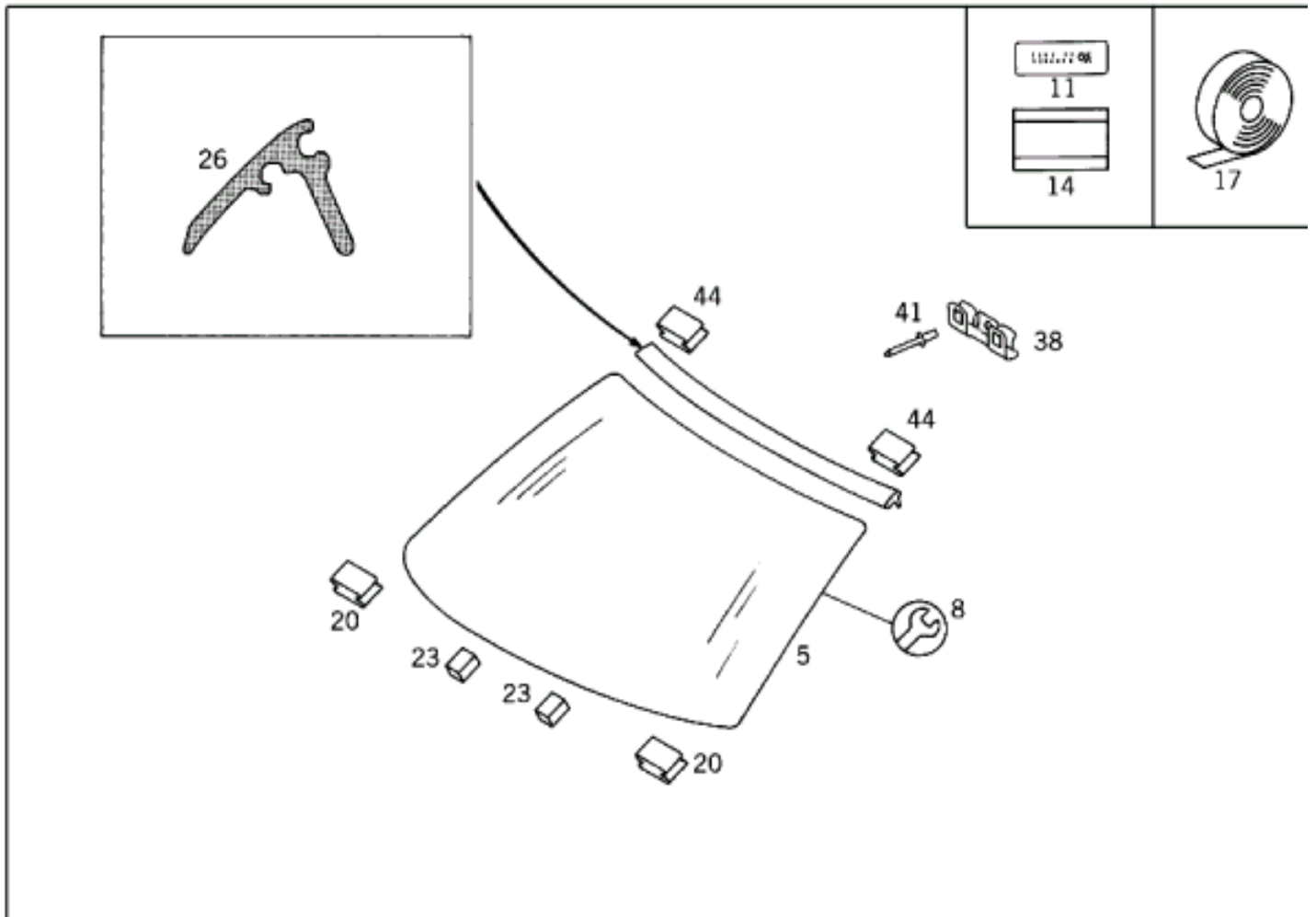
REAR END



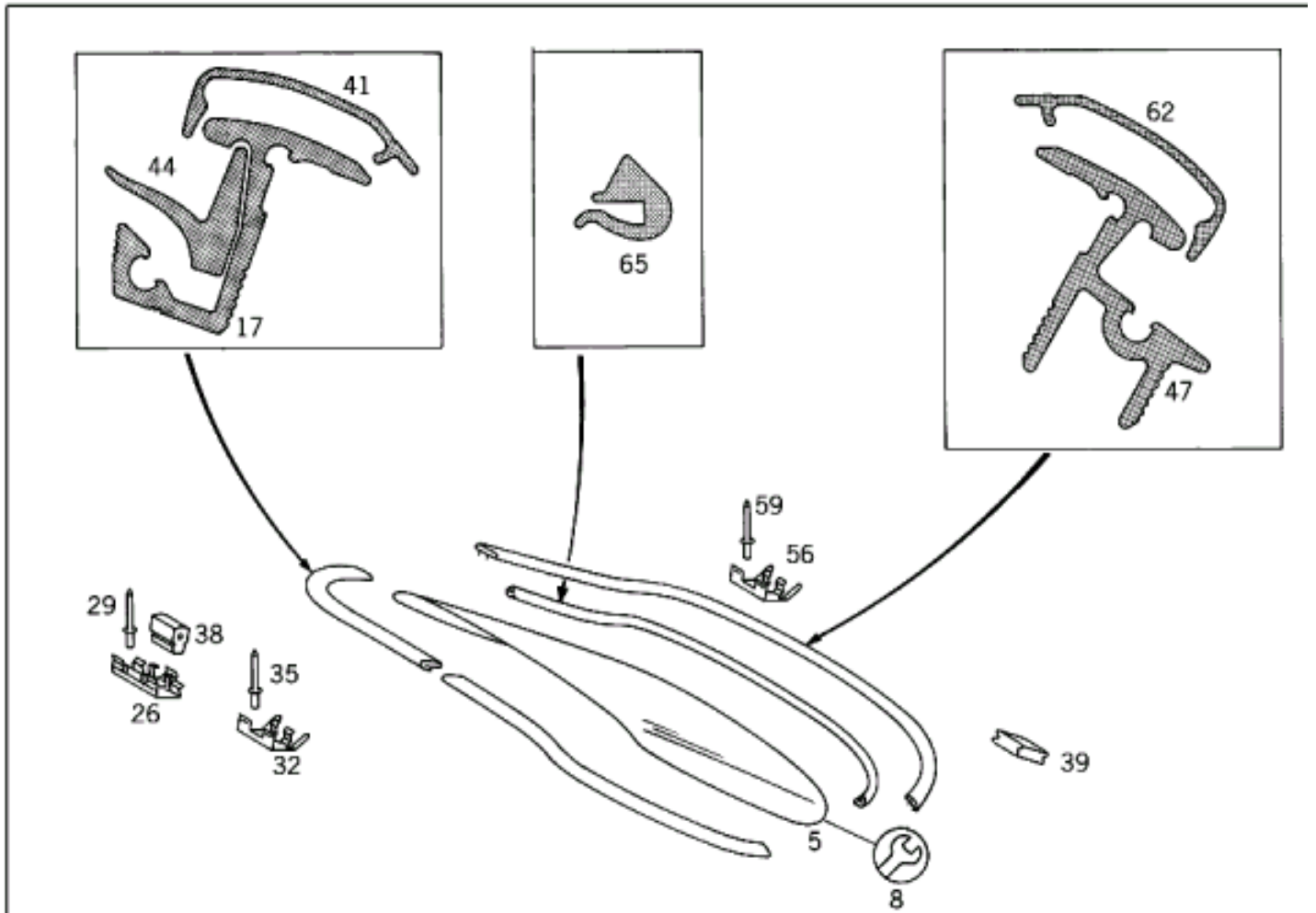
ROOF



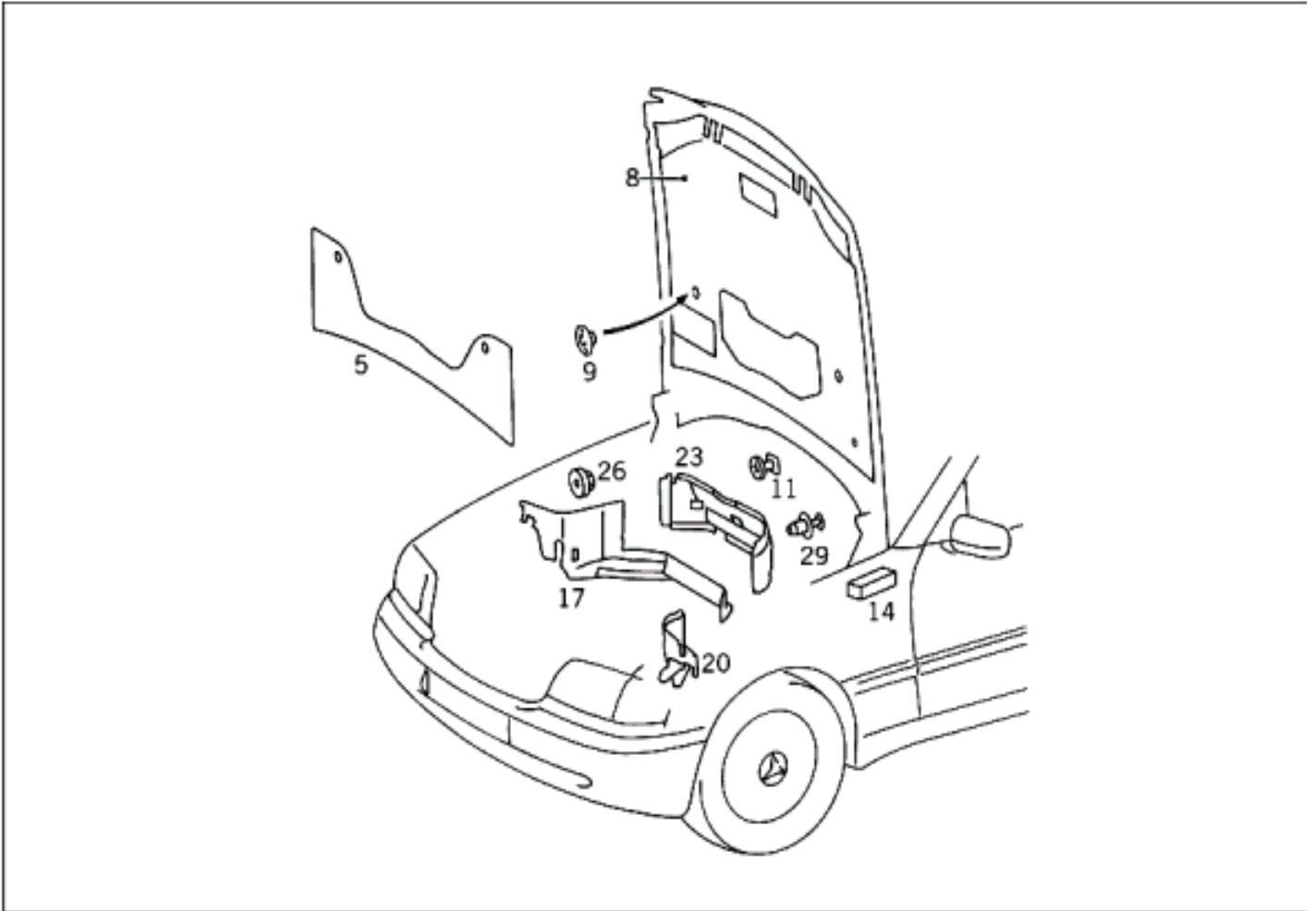
# WINDSHIELD



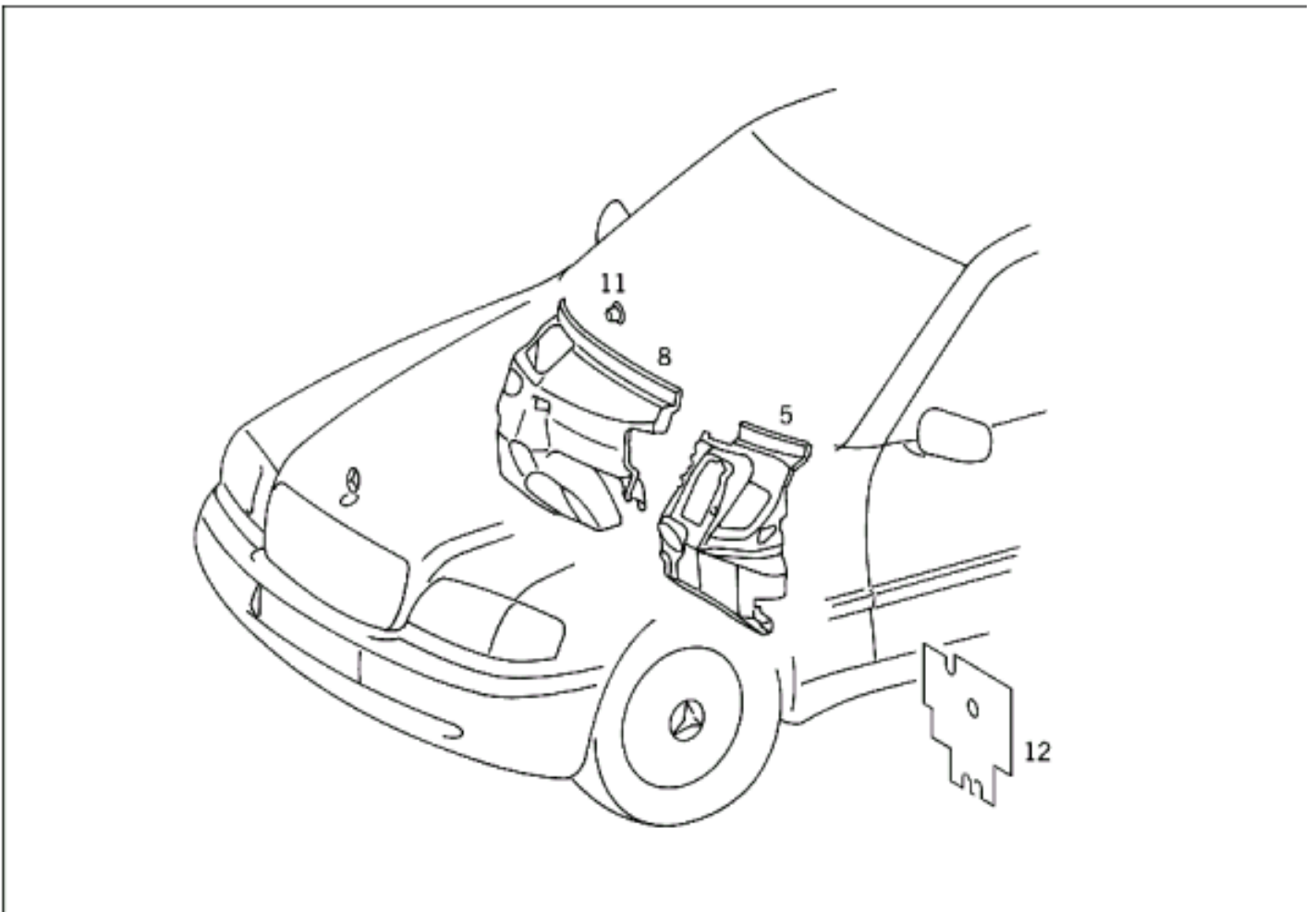
# REAR WINDOW PANE



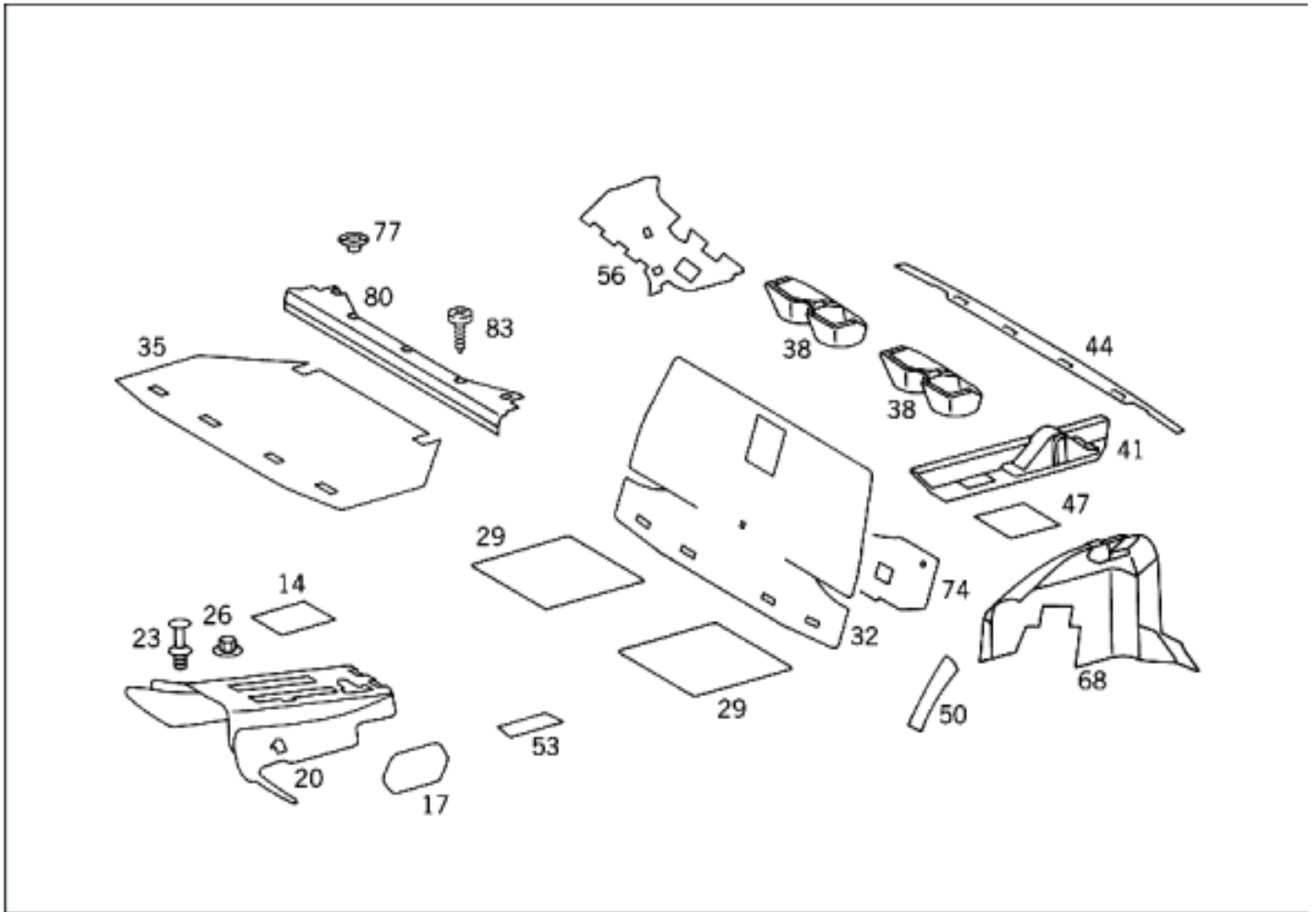
## INSULATION IN ENGINE COMPARTMENT



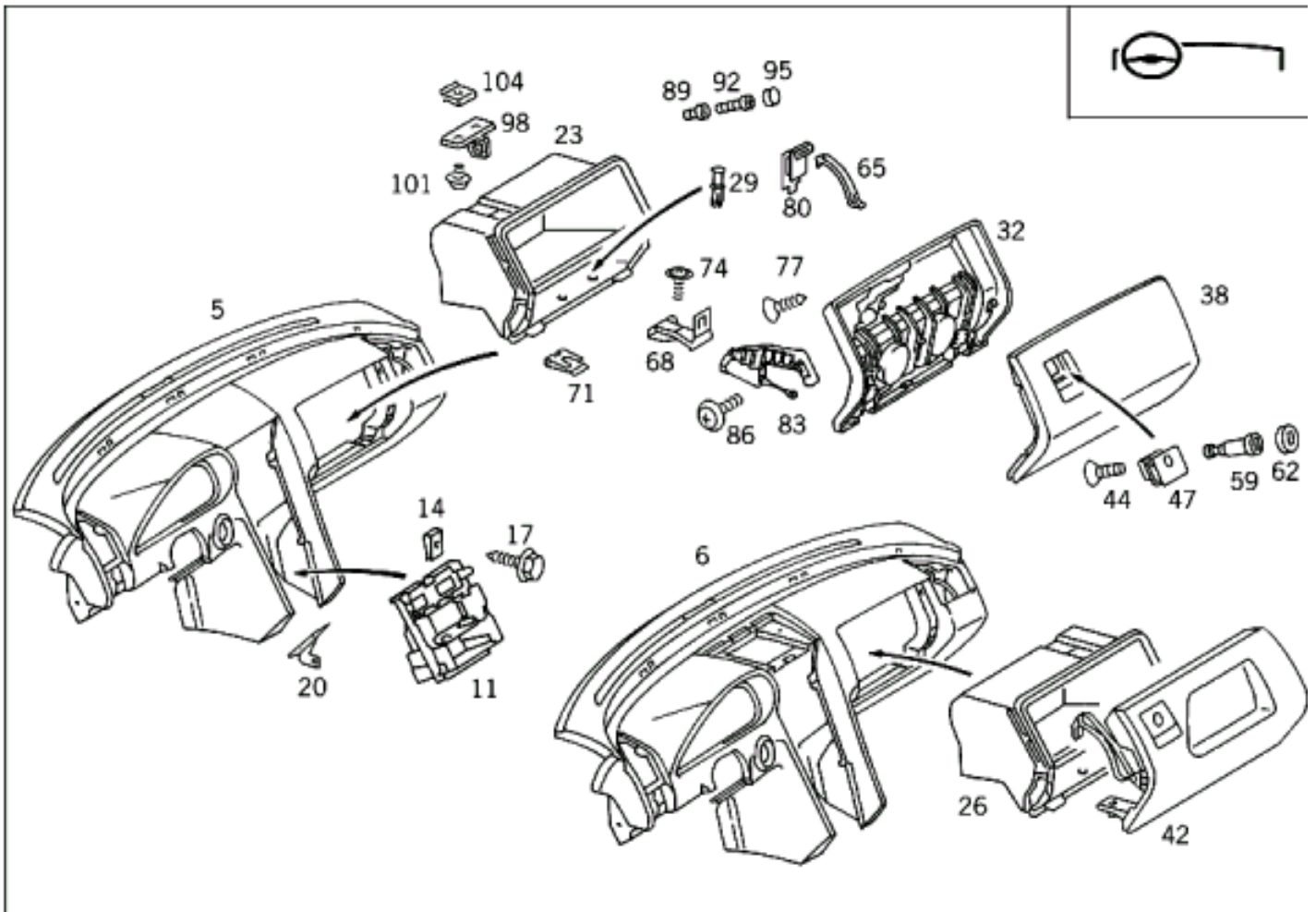
## INSULATION IN PASSENGER AND LUGGAE COMPARTMENT



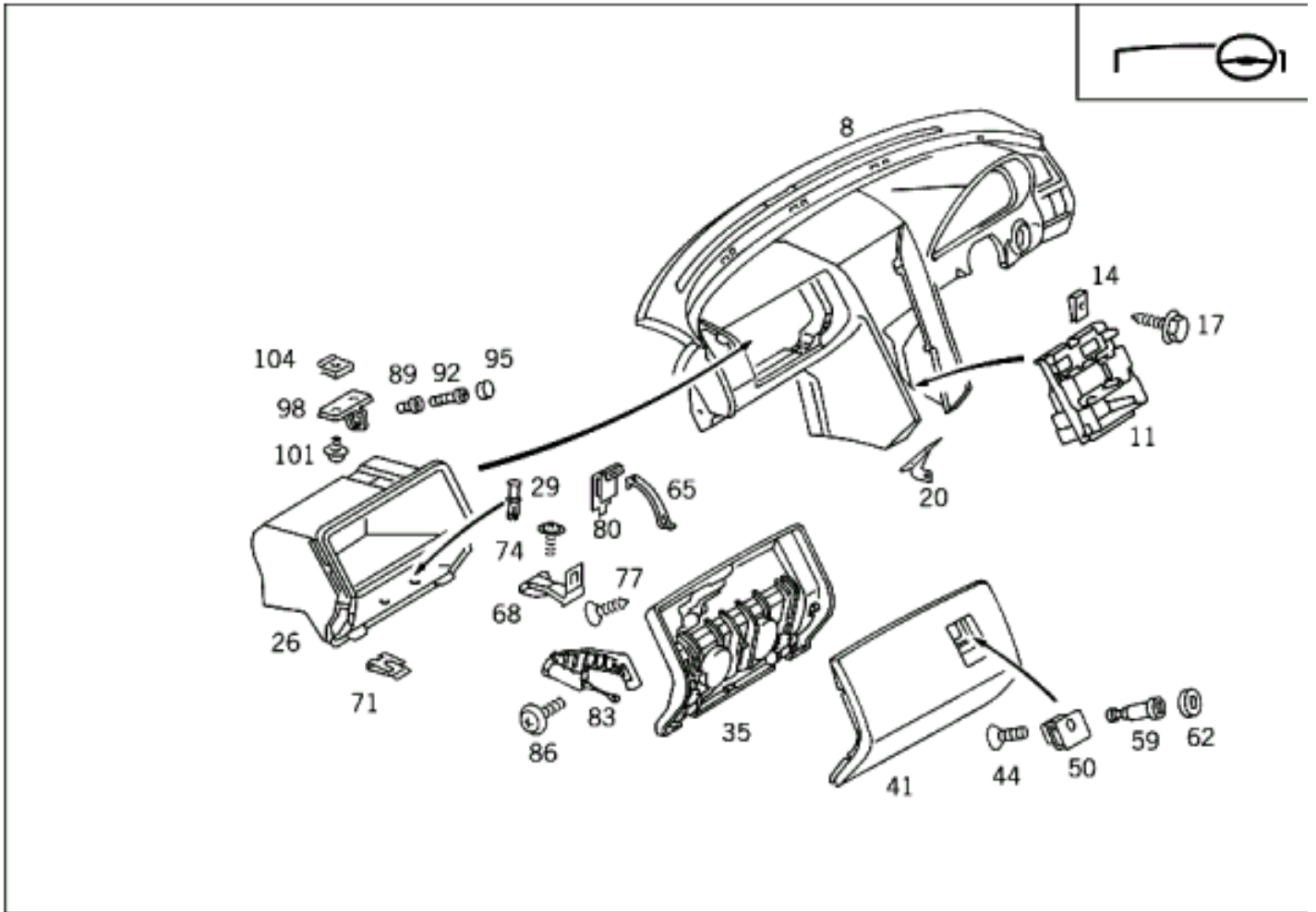
# INSULATION IN PASSENGER AND LUGGAE COMPARTMENT



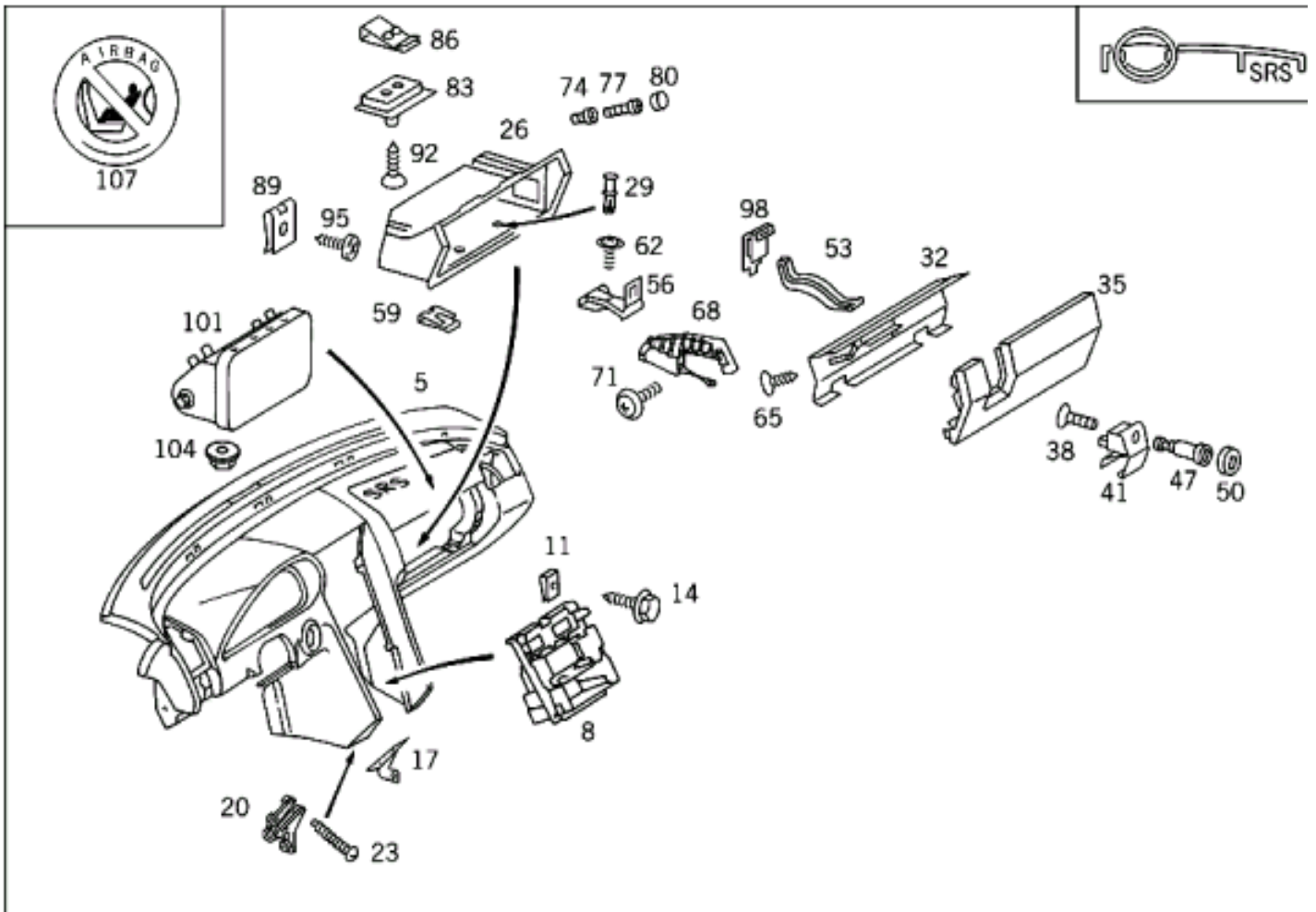
# INSTRUMENT PANEL AND GLOVE BOX WITHOUT PASSENGER AIR BAG



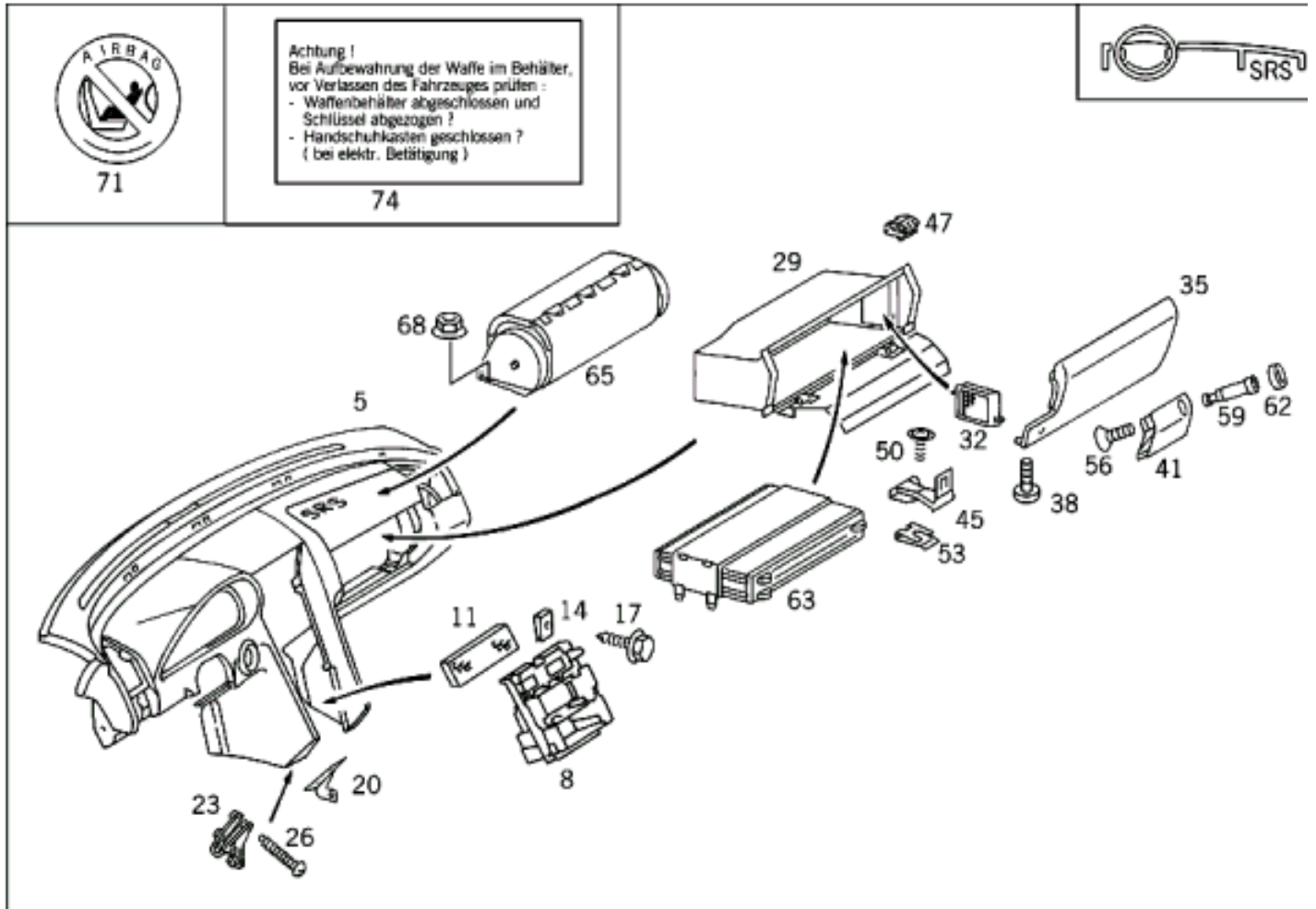
INSTRUMENT PANEL AND GLOVE BOX WITHOUT PASSENGER AIR BAG



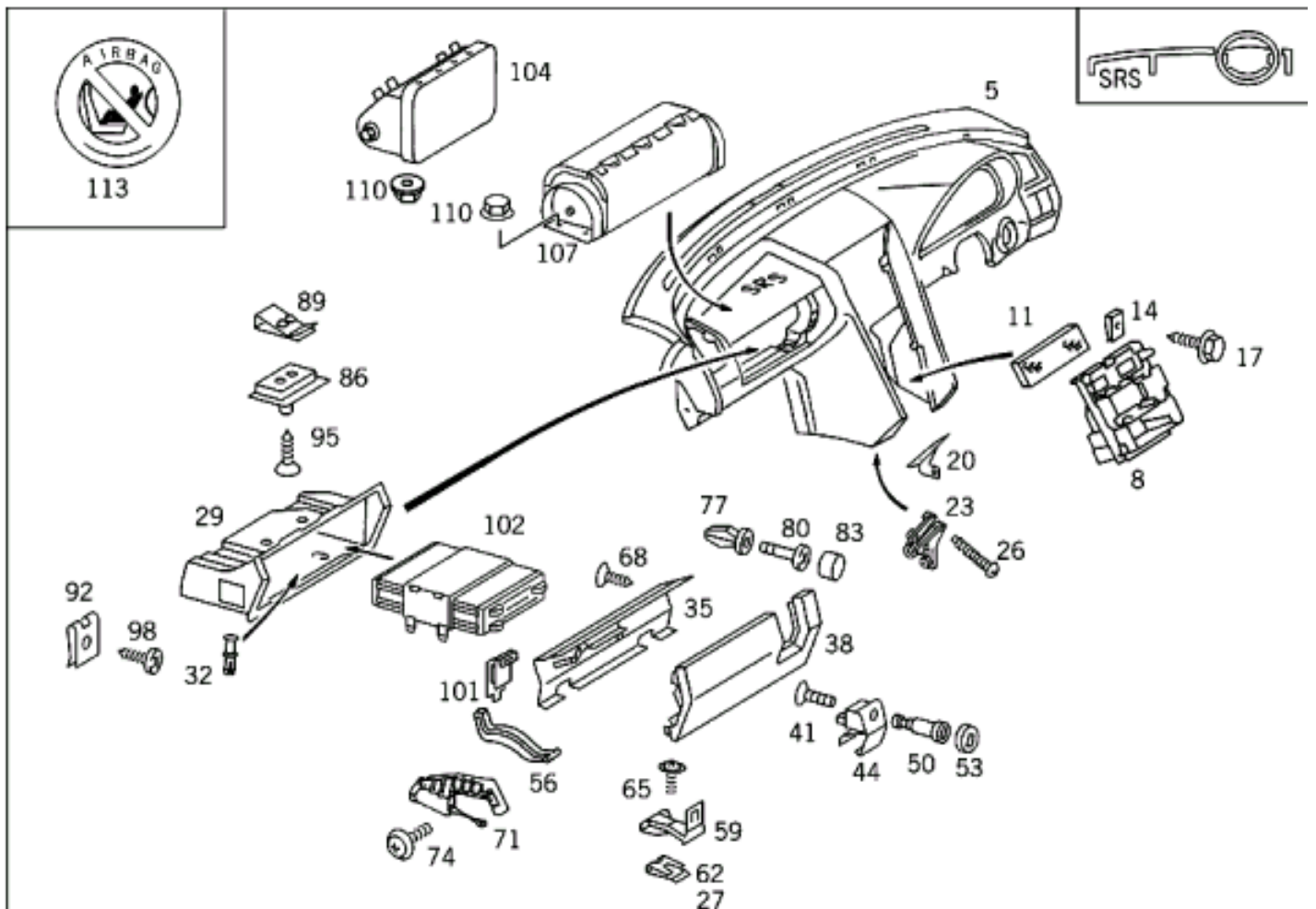
INSTRUMENT PANEL AND GLOVE BOX WITHOUT PASSENGER AIR BAG LEFT HAND STEERING



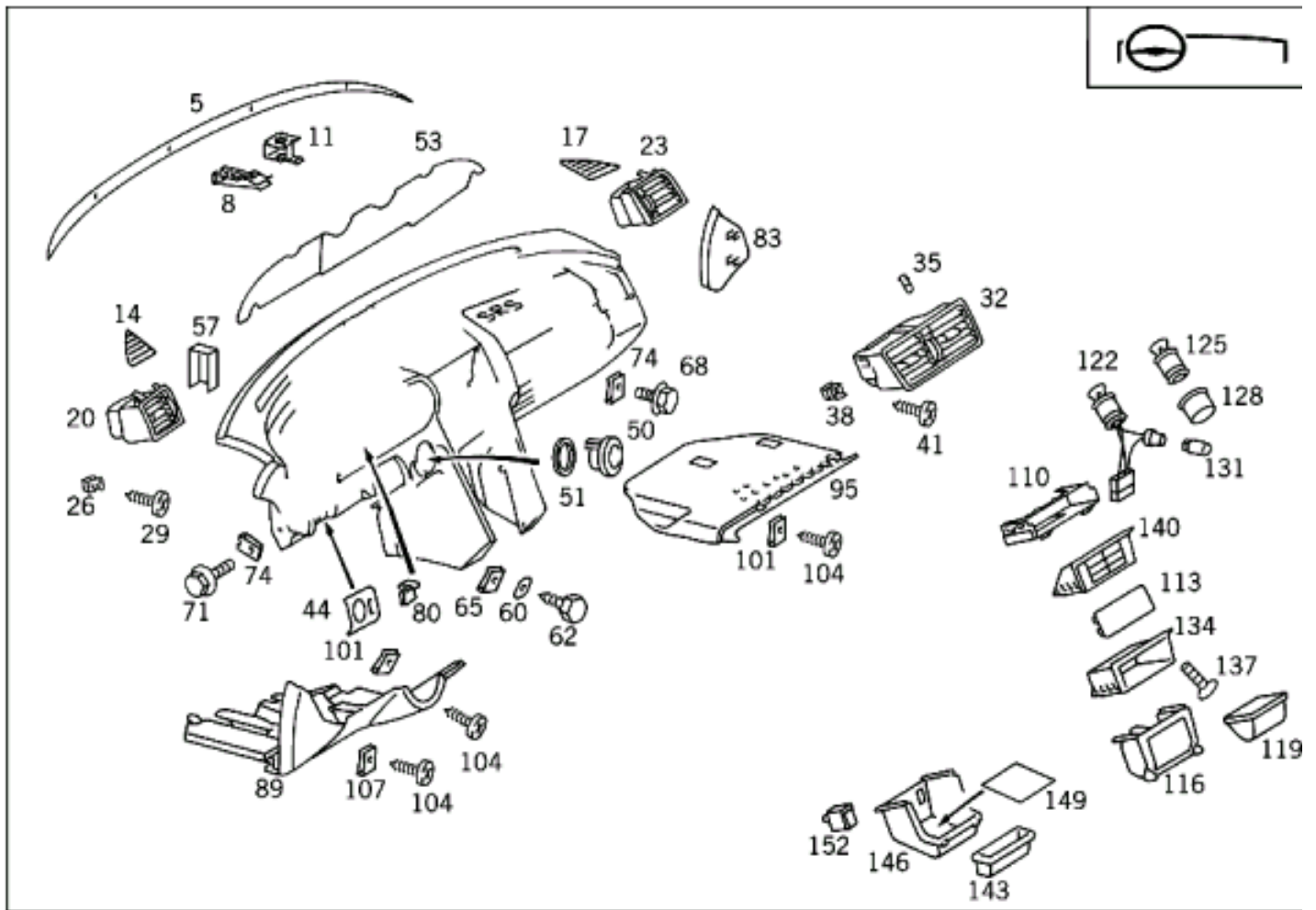
# INSTRUMENT PANEL AND GLOVE BOX WITHOUT PASSENGER AIR BAG LEFT HAND STEERING



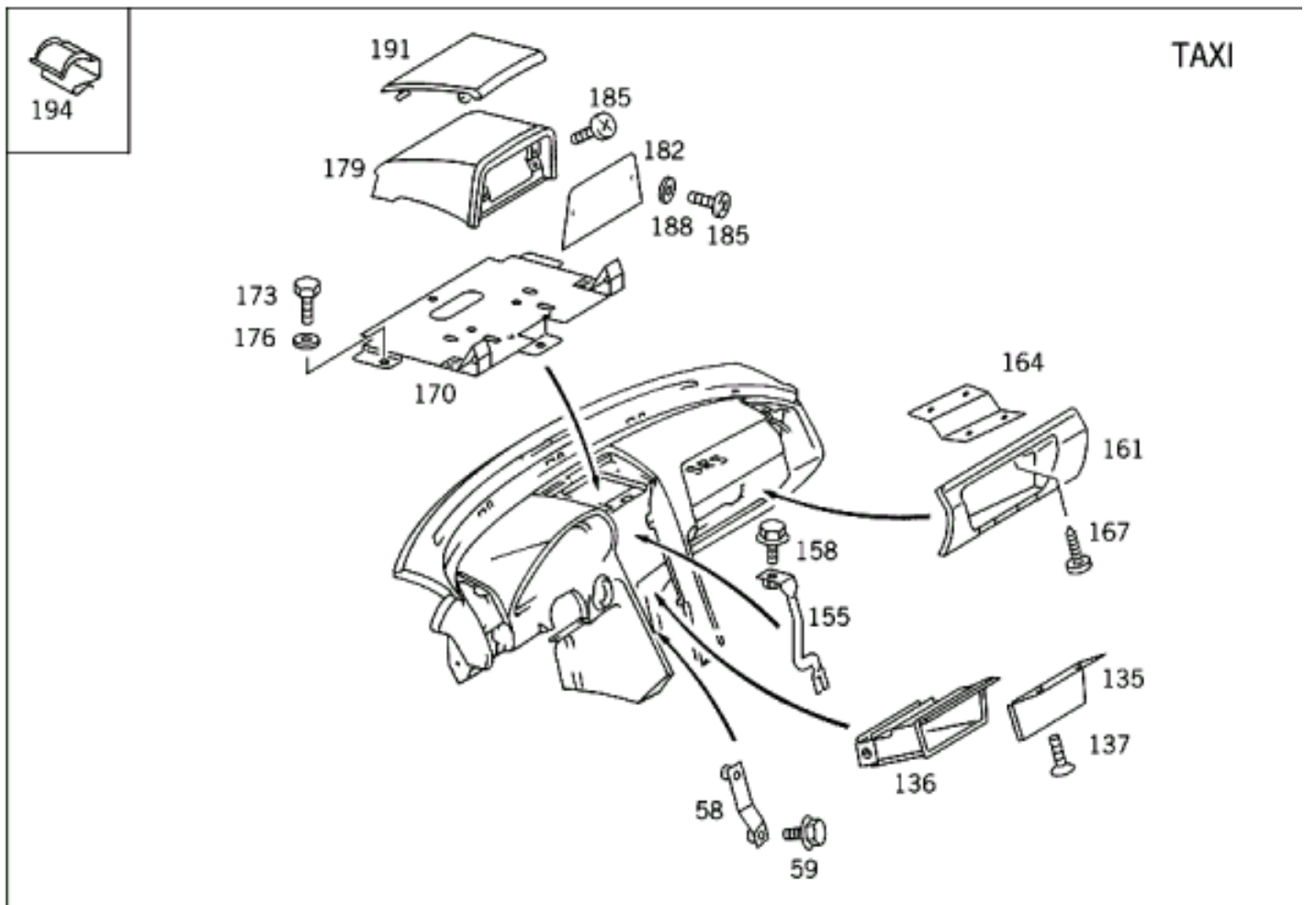
# INSTRUMENT PANEL AND GLOVE BOX WITHOUT PASSENGER AIR BAG RIGHT HAND STEERING



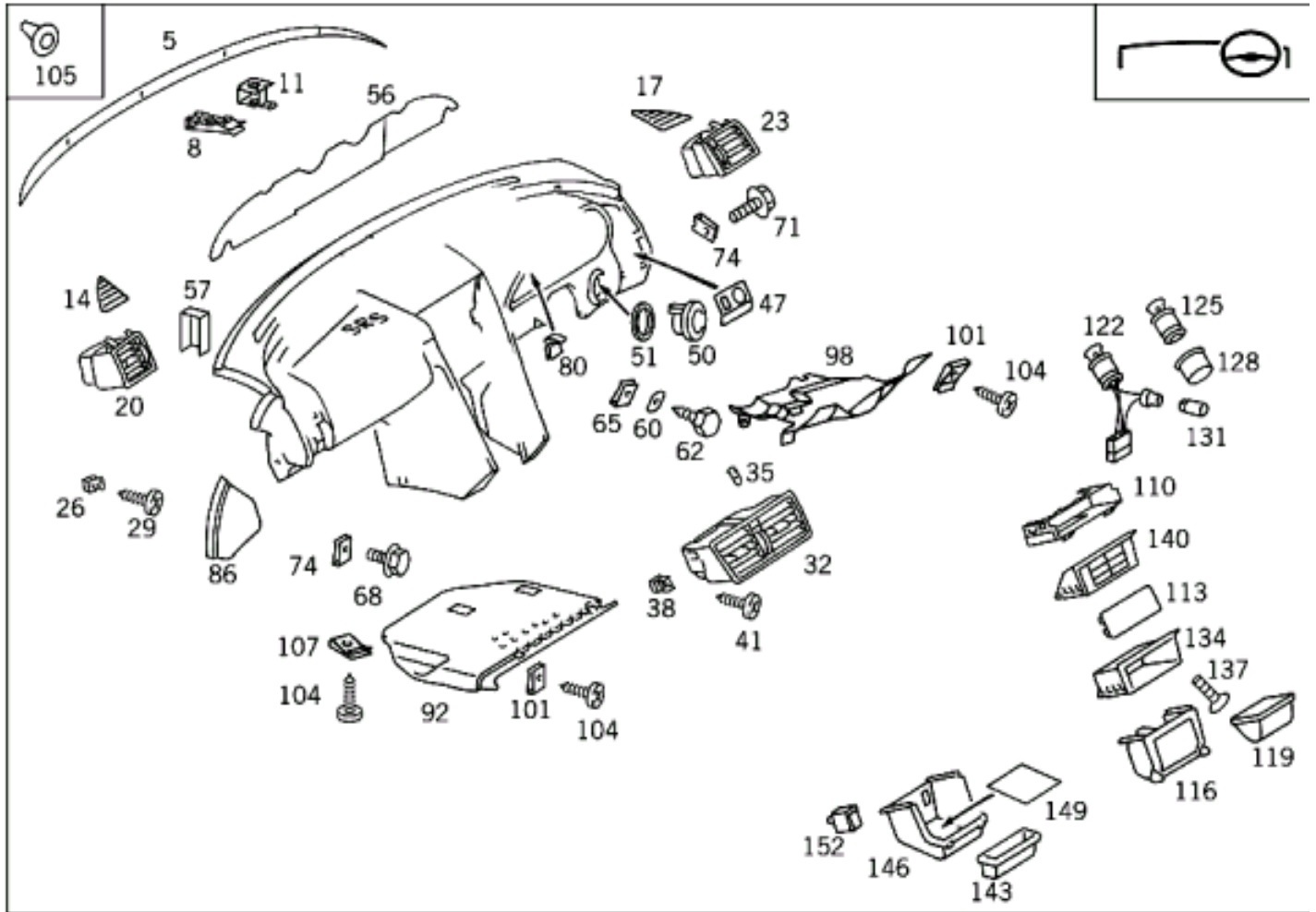
DETACHABLE COMPONENTS, INSTRUMENT PANEL



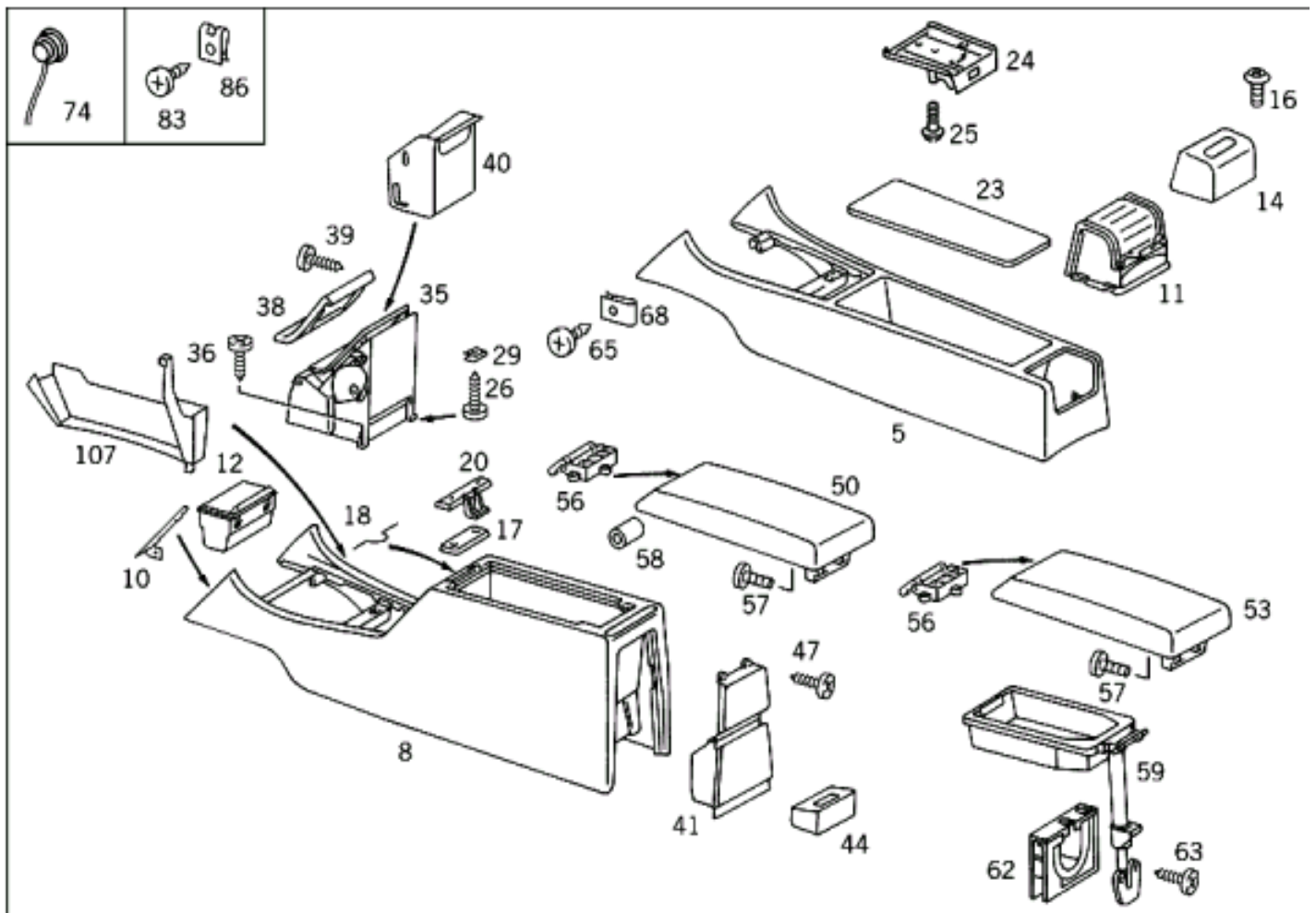
DETACHABLE COMPONENTS, INSTRUMENT PANEL



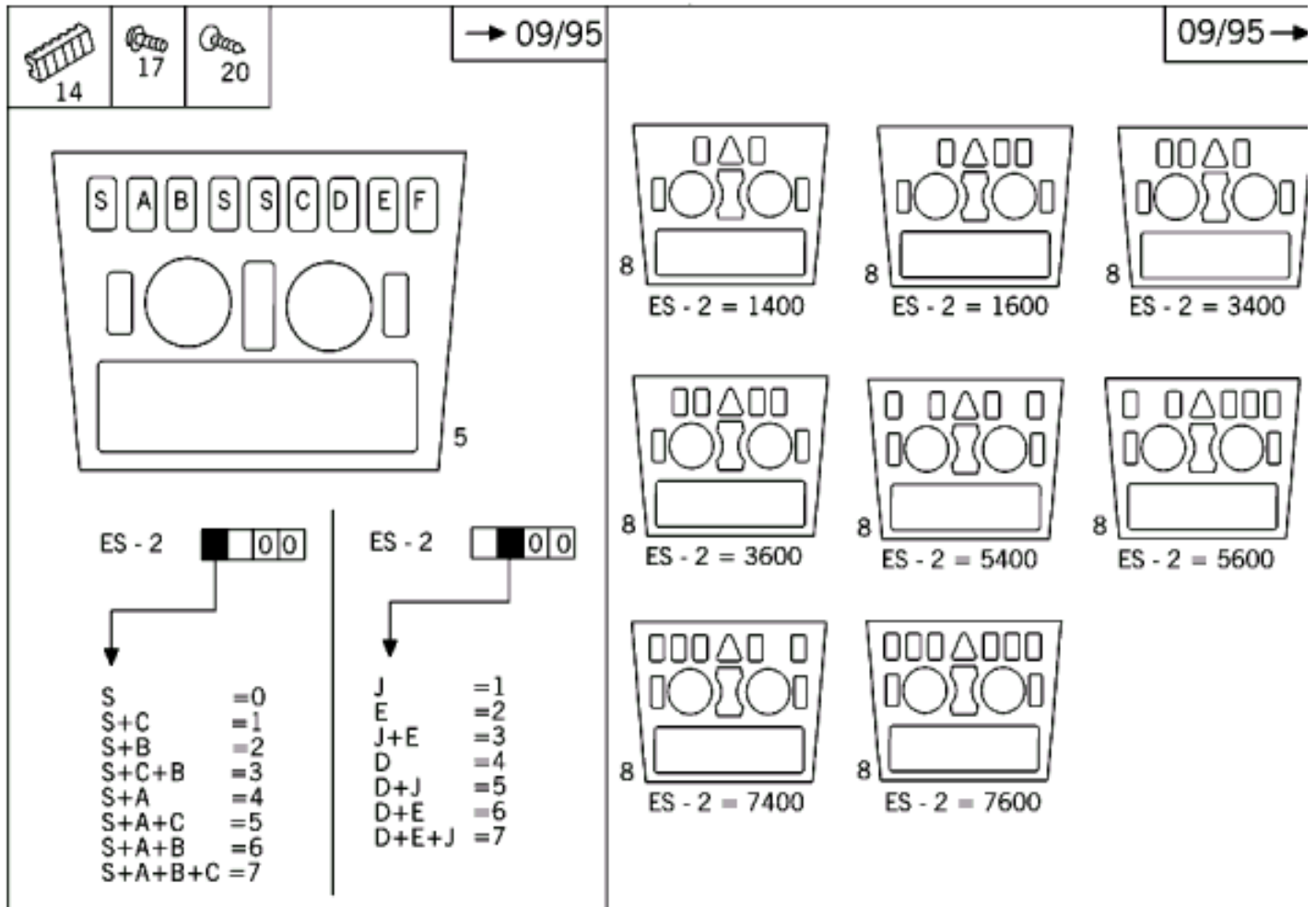
DETACHABLE COMPONENTS, INSTRUMENT PANEL



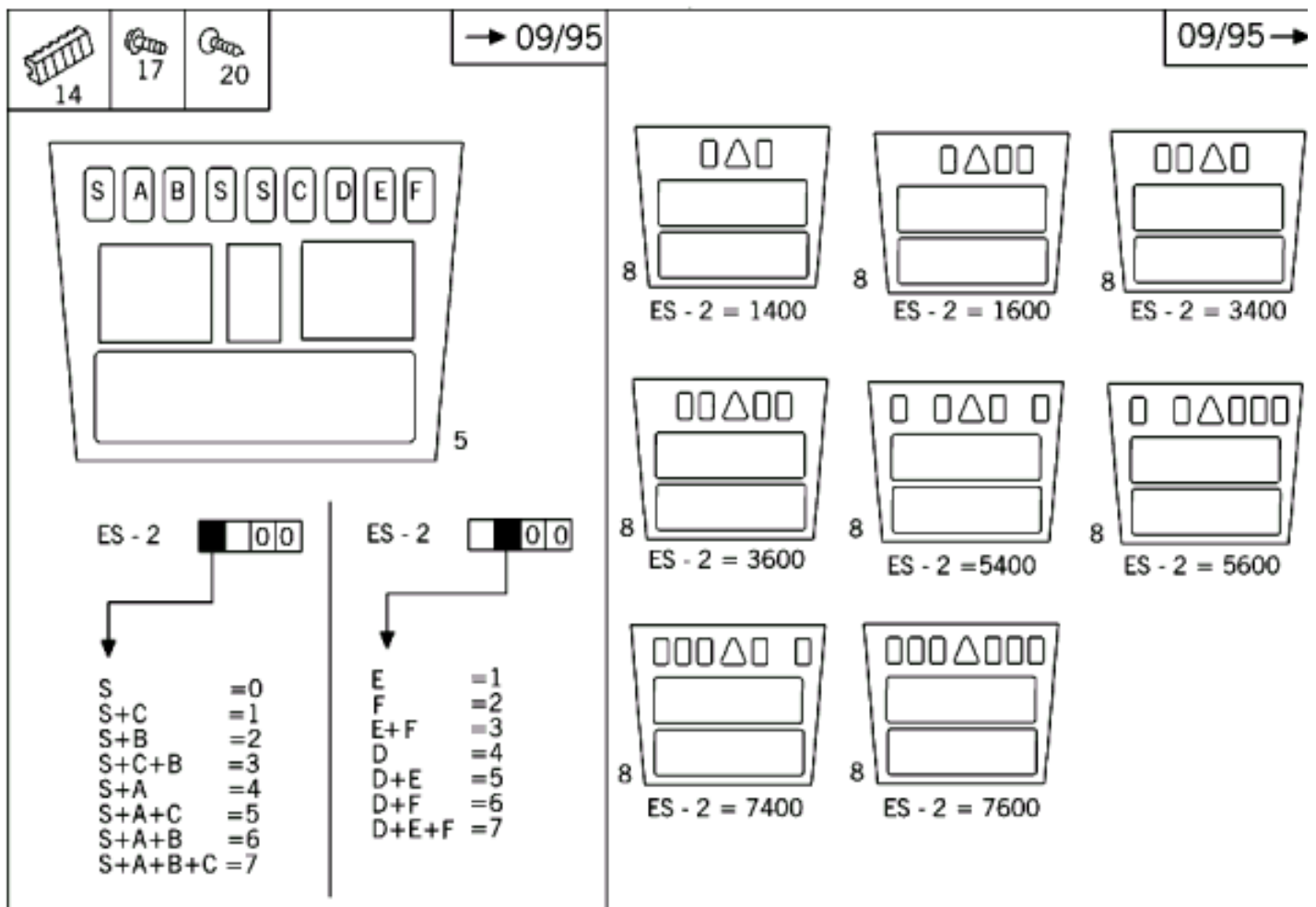
HOUSING WITH TRAY, ARMREST AND ASHTRAY



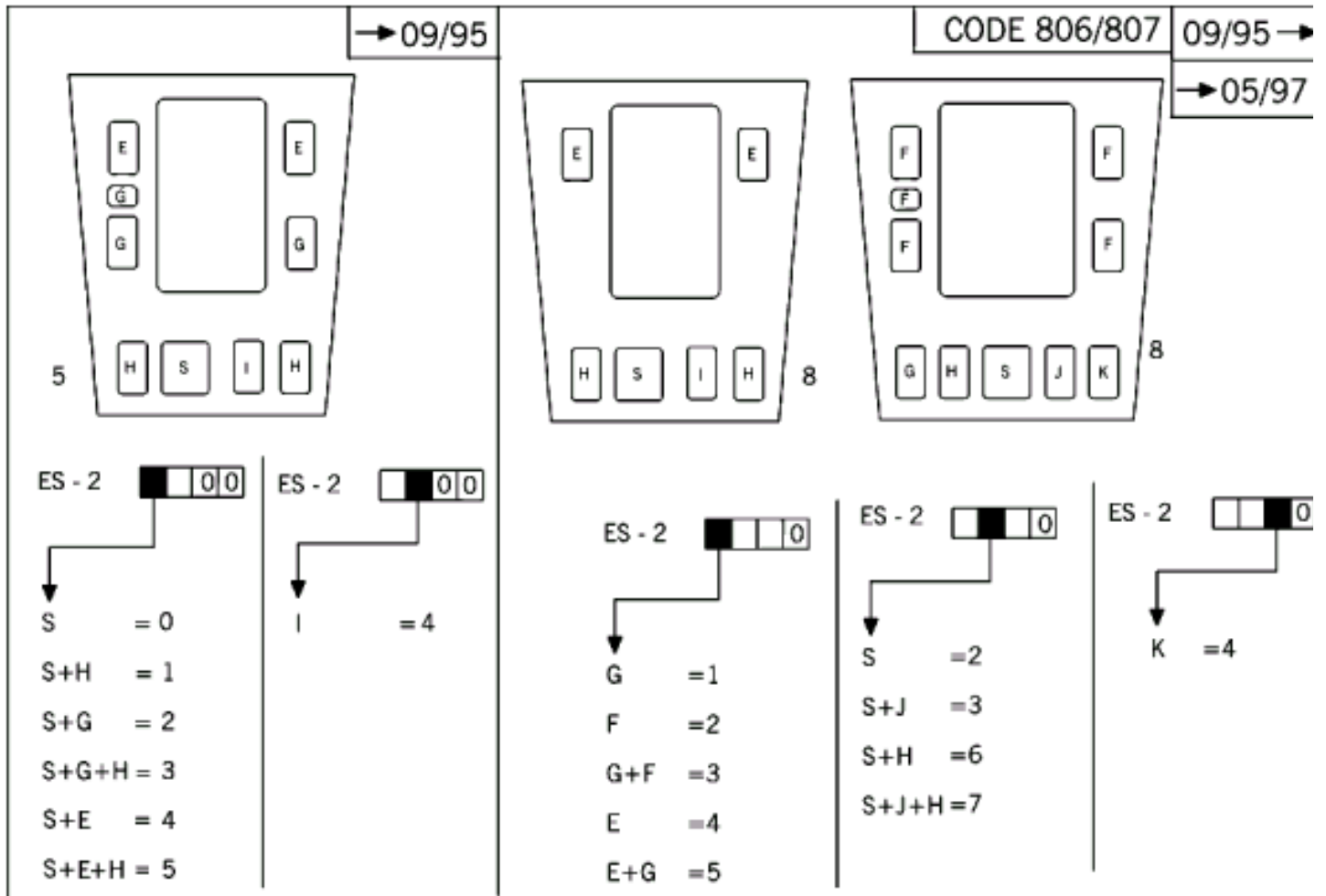
TOP COVERING, ONLY USED WITH HEATING AUTOMATICS OE AIR CONDITIONER



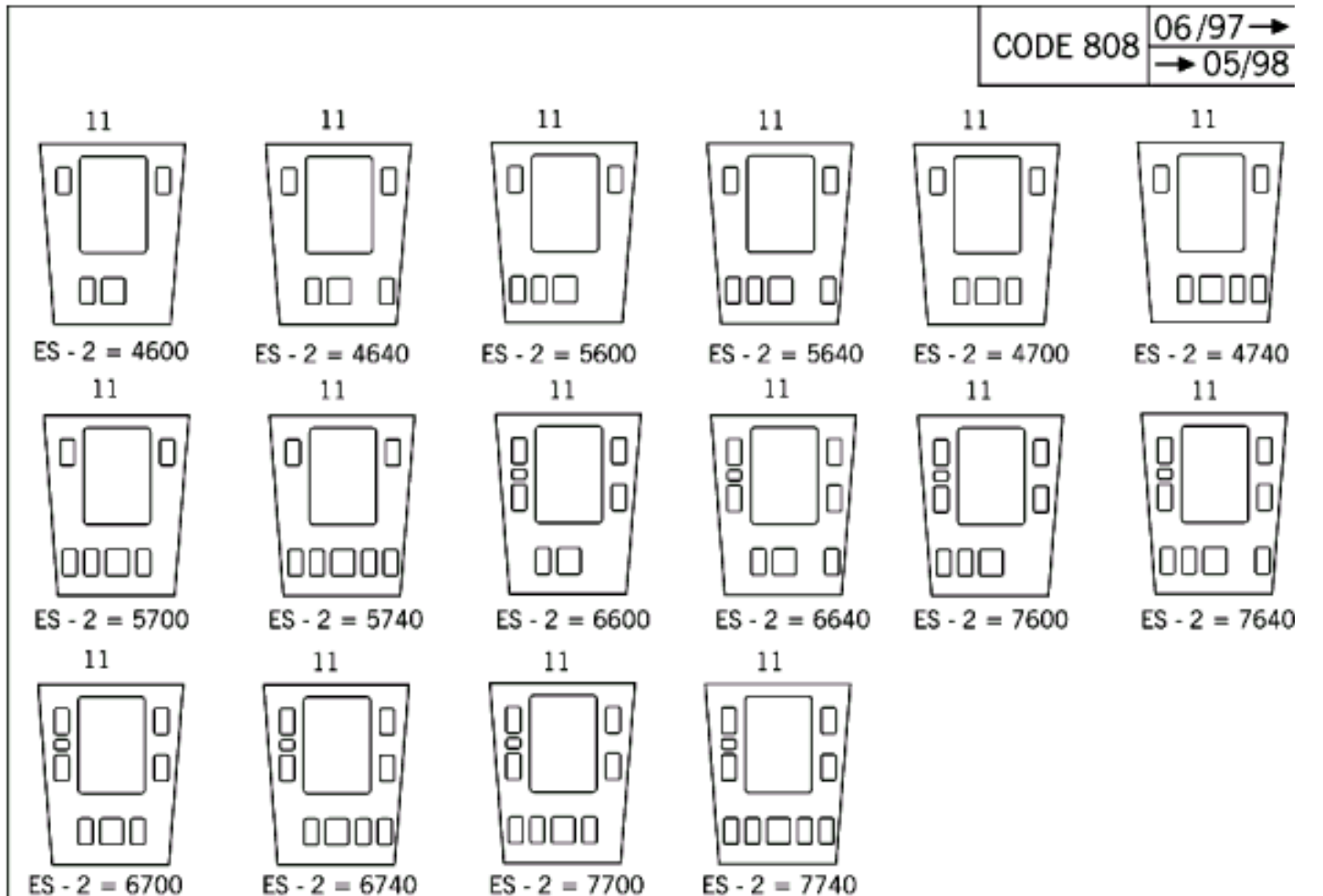
TOP COVERING, USED WITH HEATING AUTOMATICS OE AIR CONDITIONER



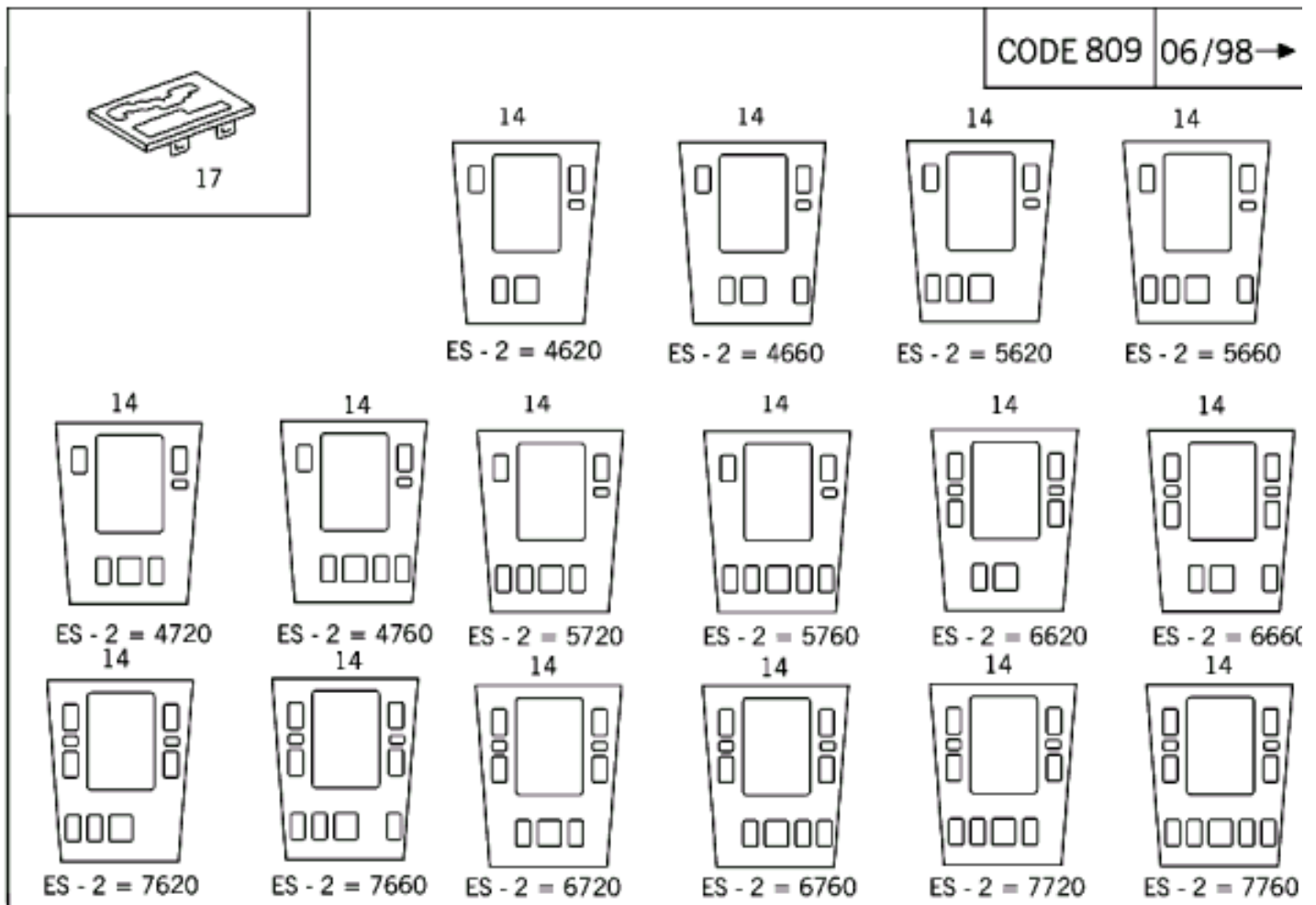
BOTTOM COVERING IN HOUSING



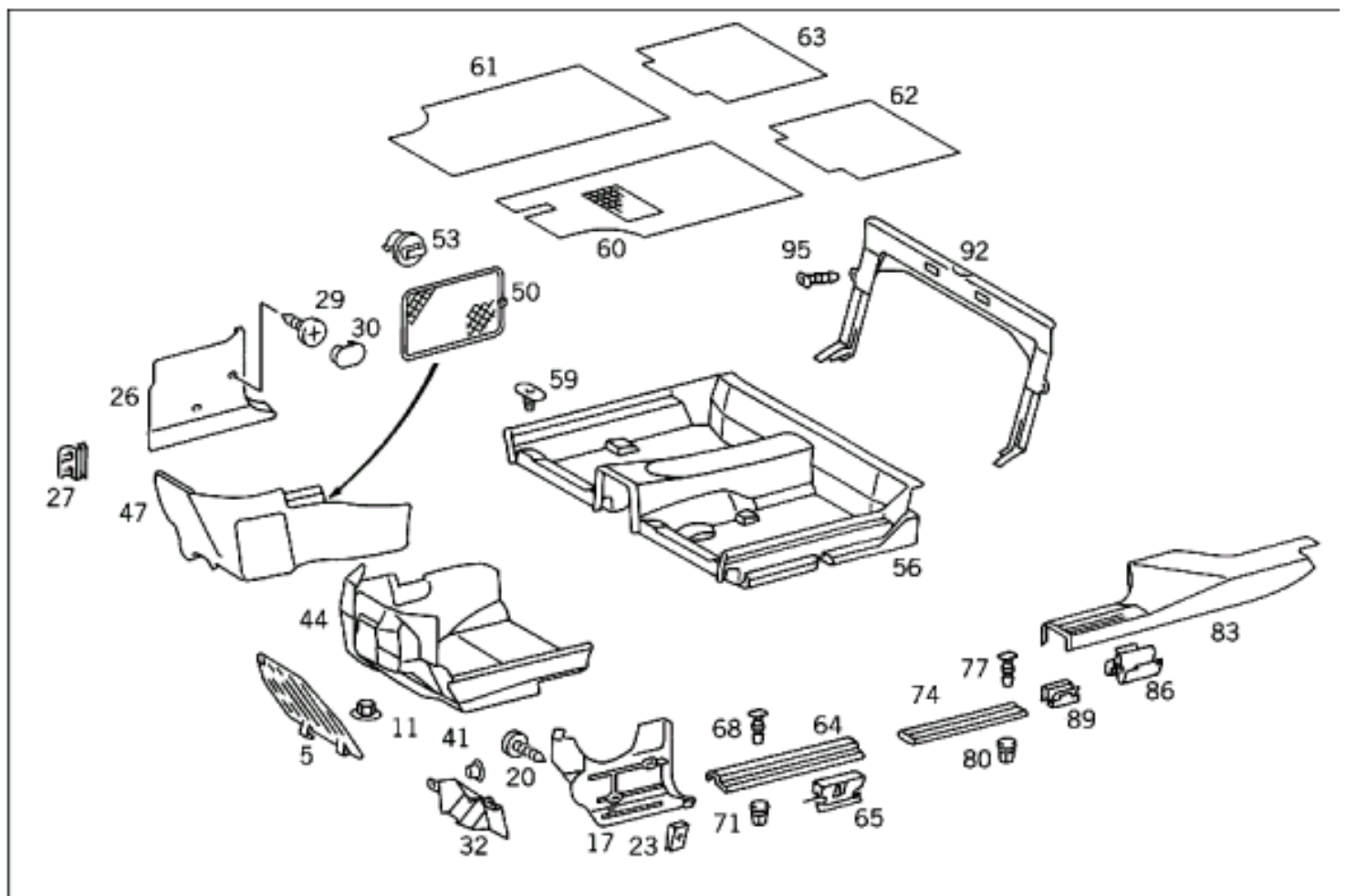
BOTTOM COVERING IN HOUSING



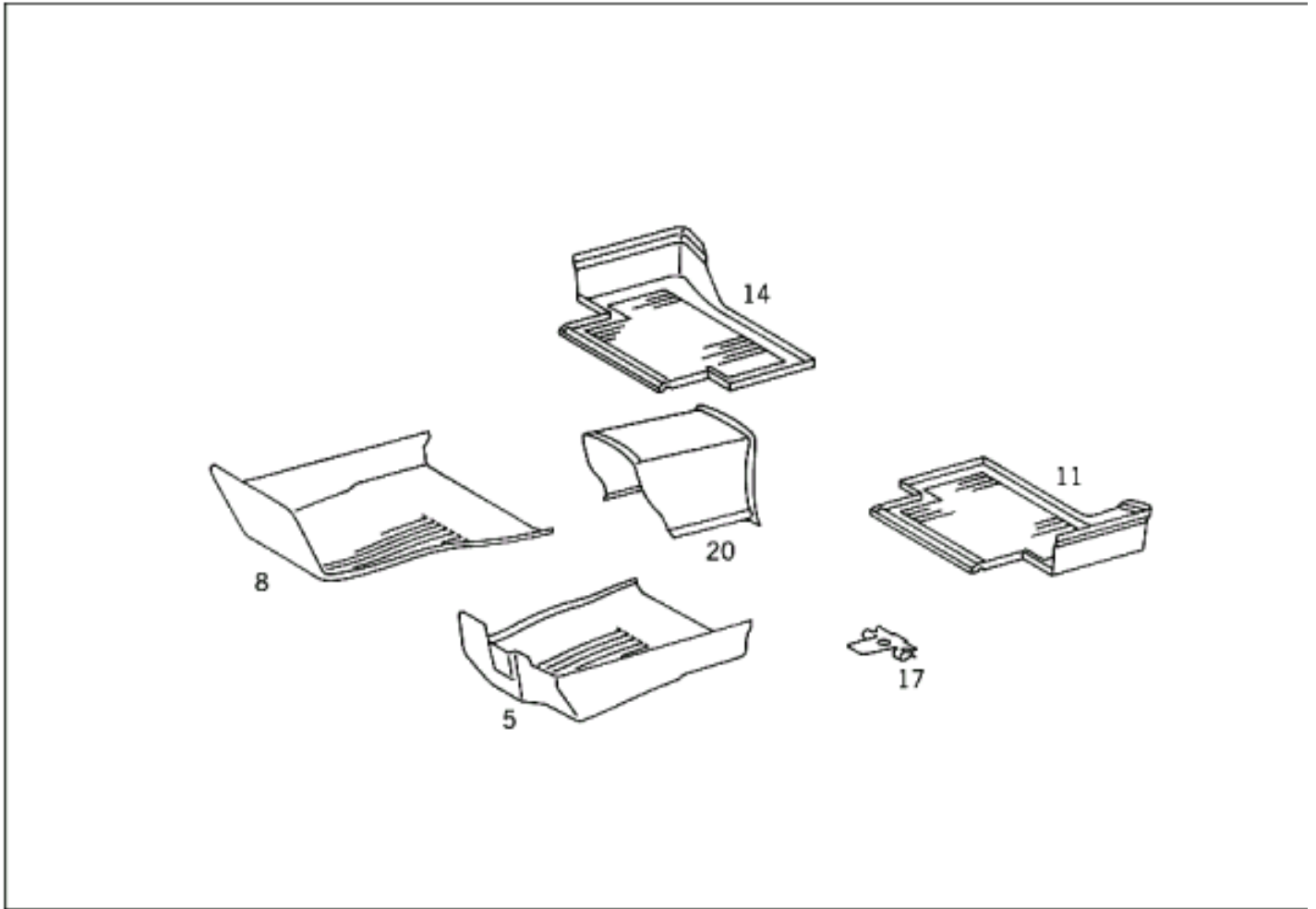
# BOTTOM COVERING IN HOUSING



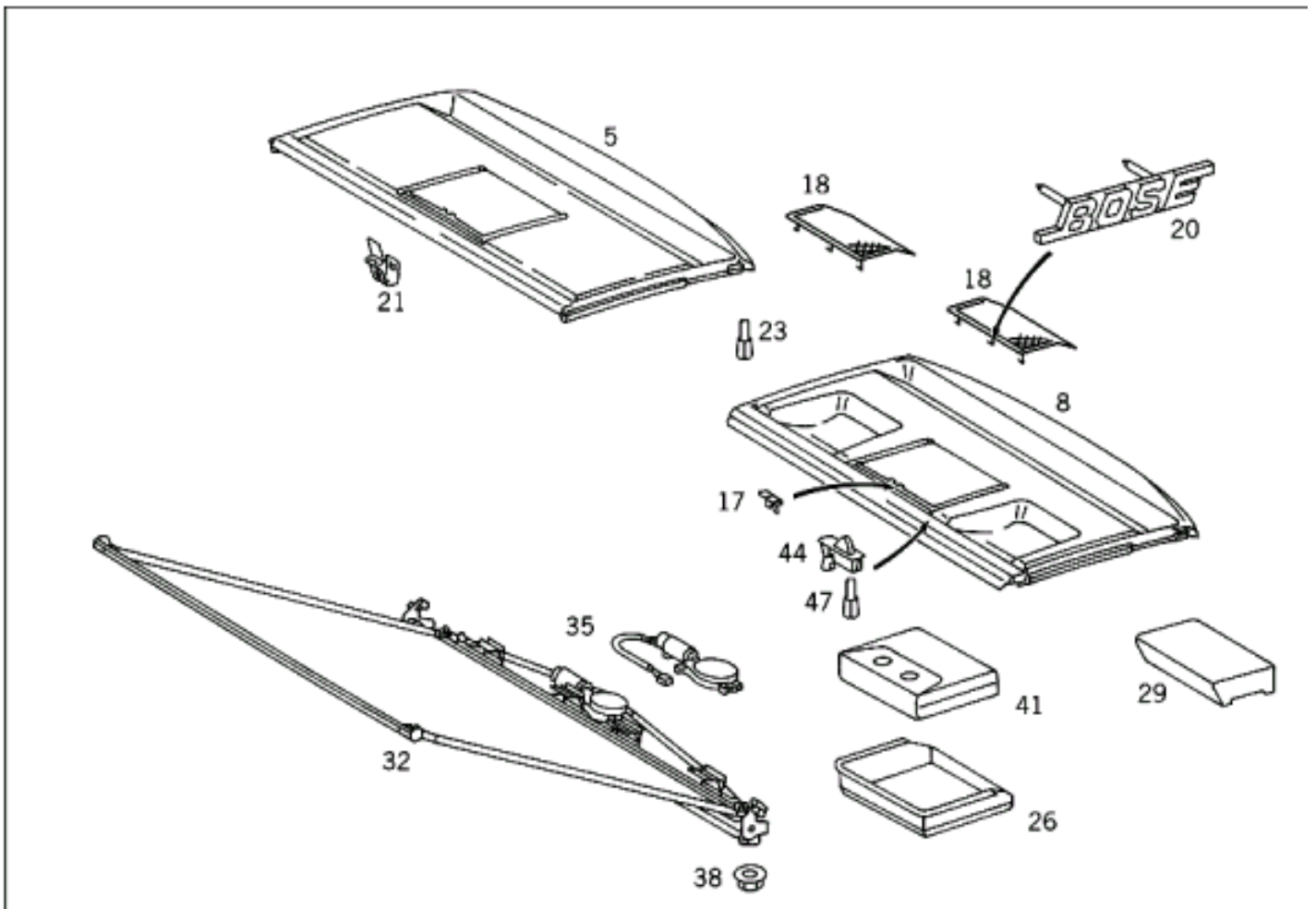
# FRONT PANEL PILLAR PANELLING, LINING ON FLOOR AND FOOTREST



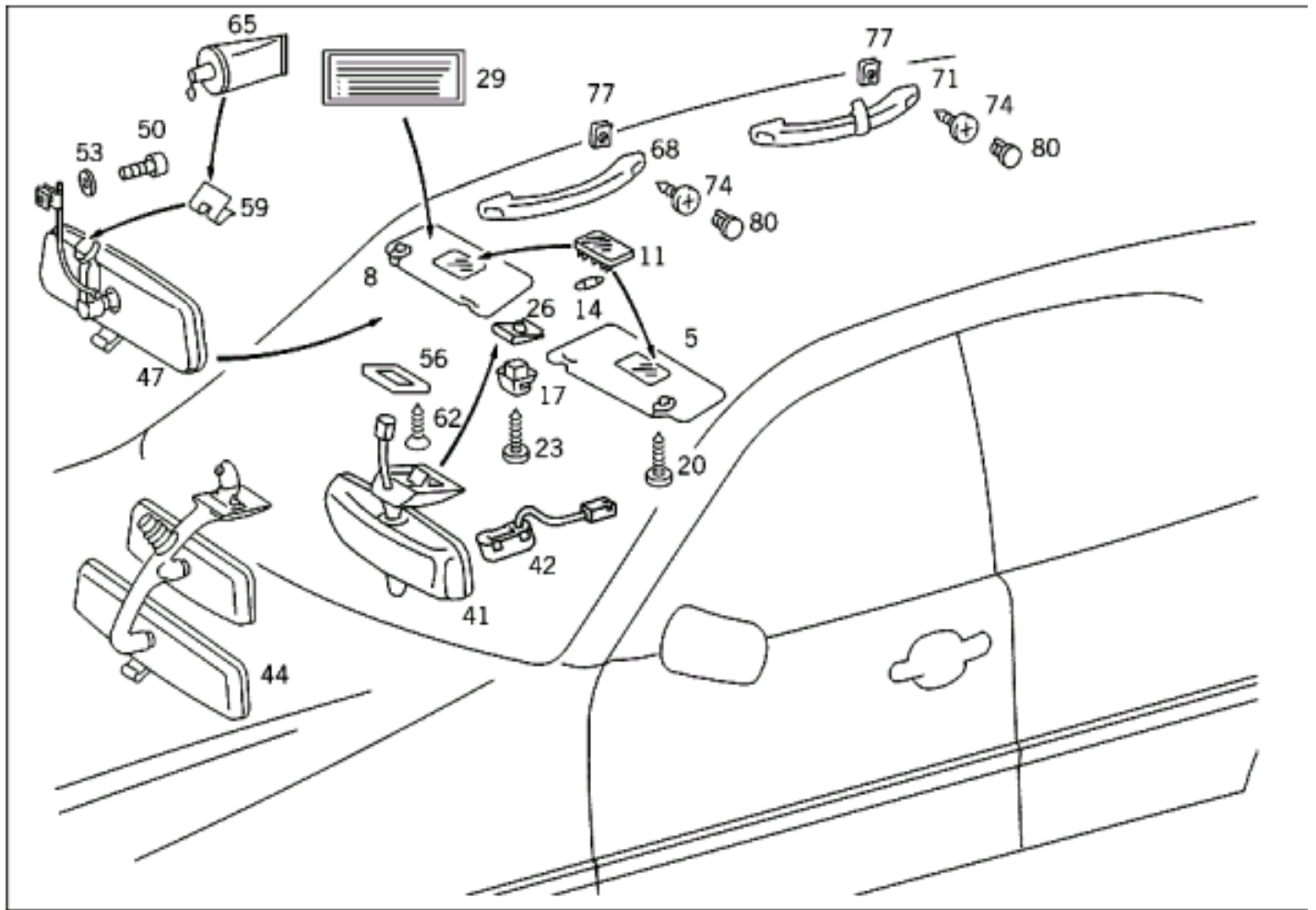
RUBBER MATS



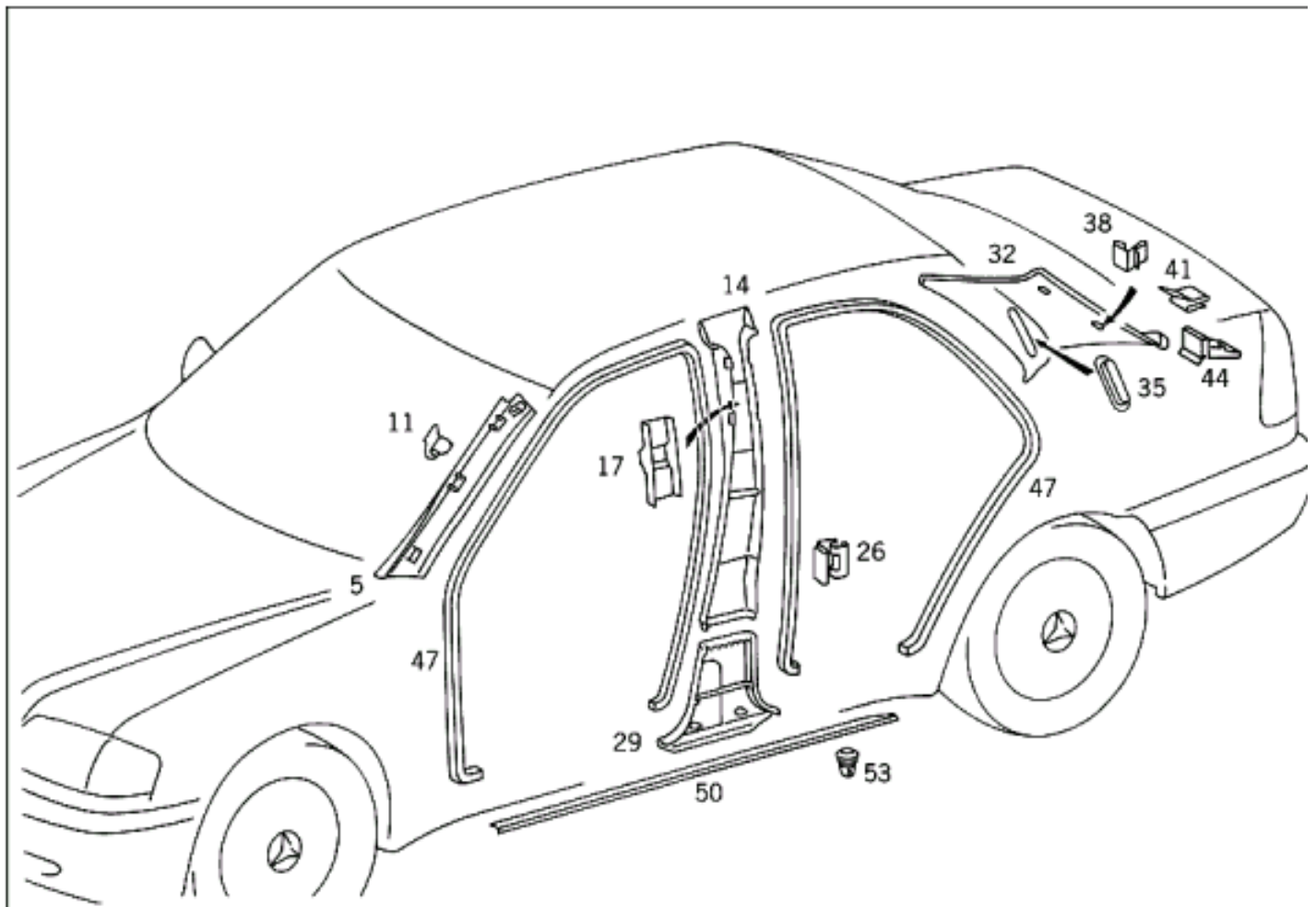
HAT TRAY, ROLLER BLIND, FIRST AID BOX



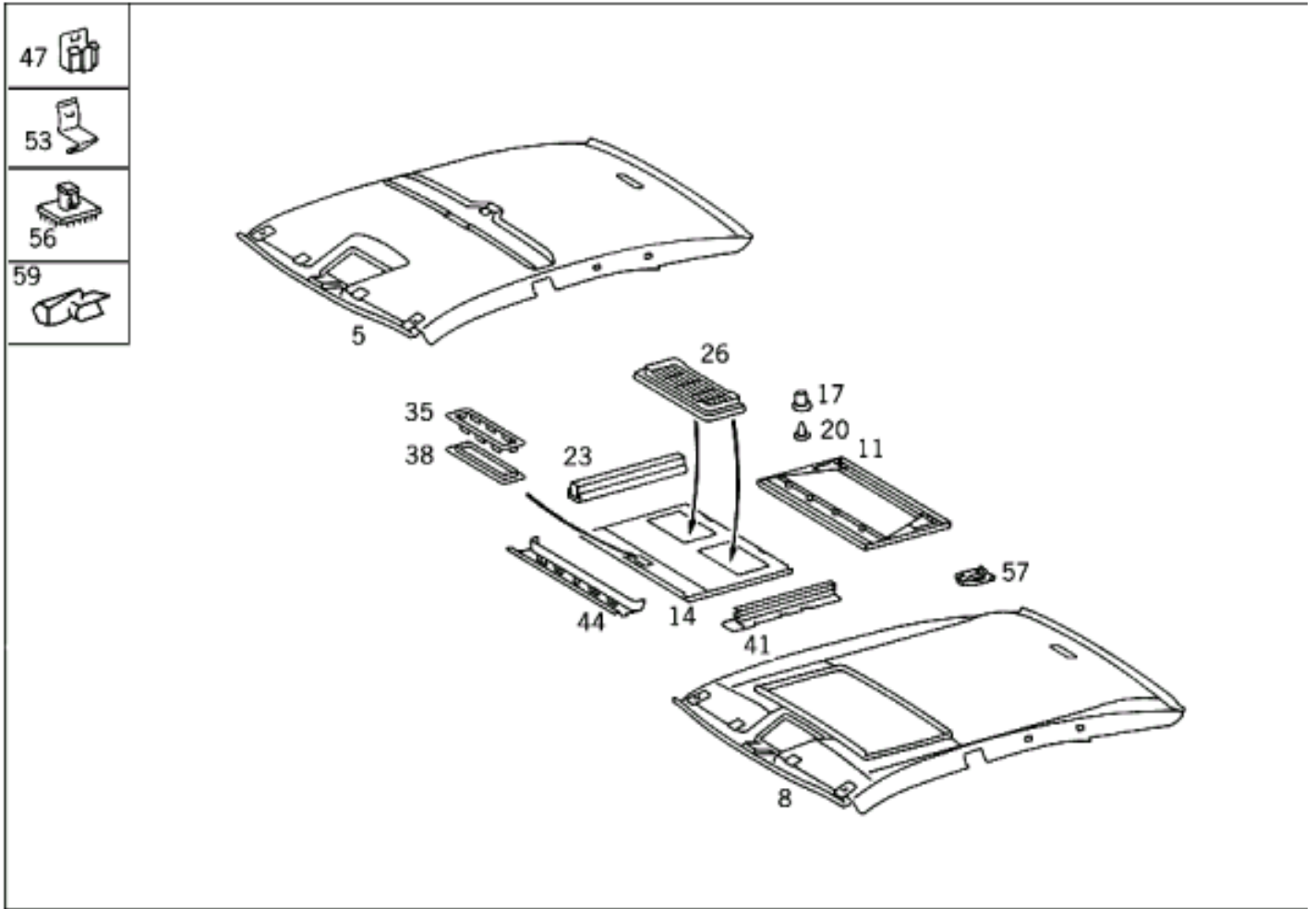
SUNVISOR, INTERIOR MIRROR, GRAB HANDLE



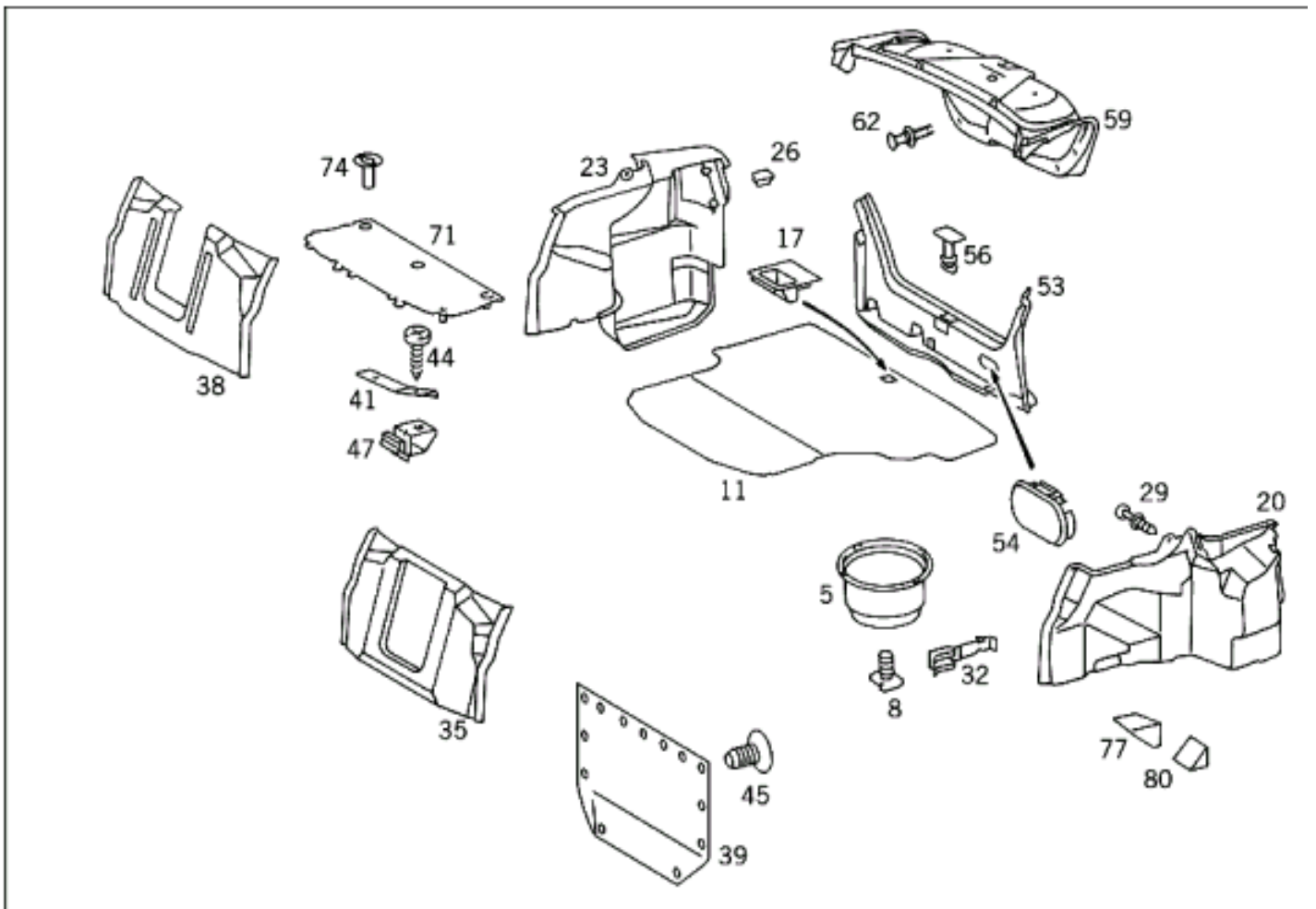
PANELLING, DOOR, EDGE GUARD SECTIONS



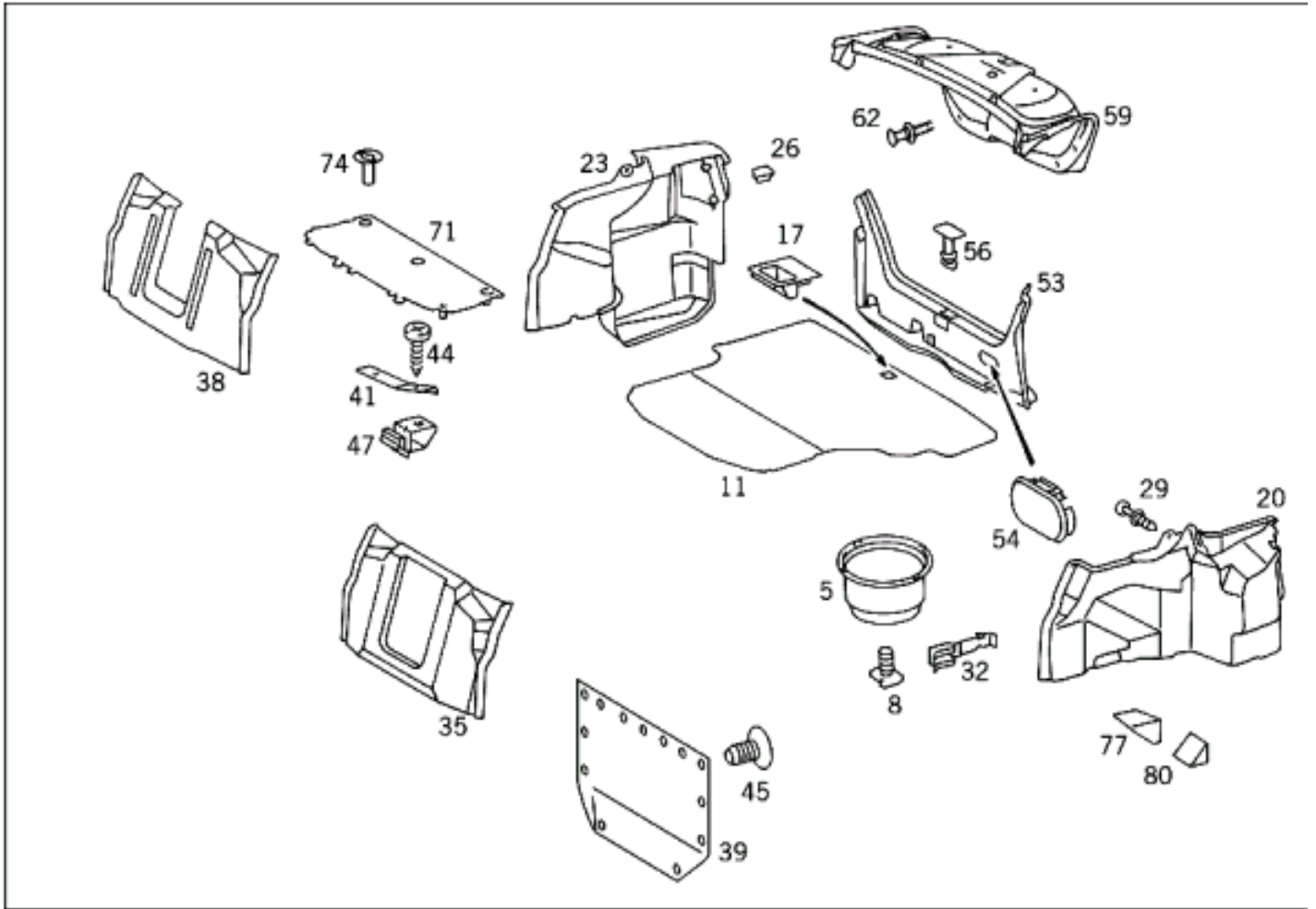
# HEADLINER



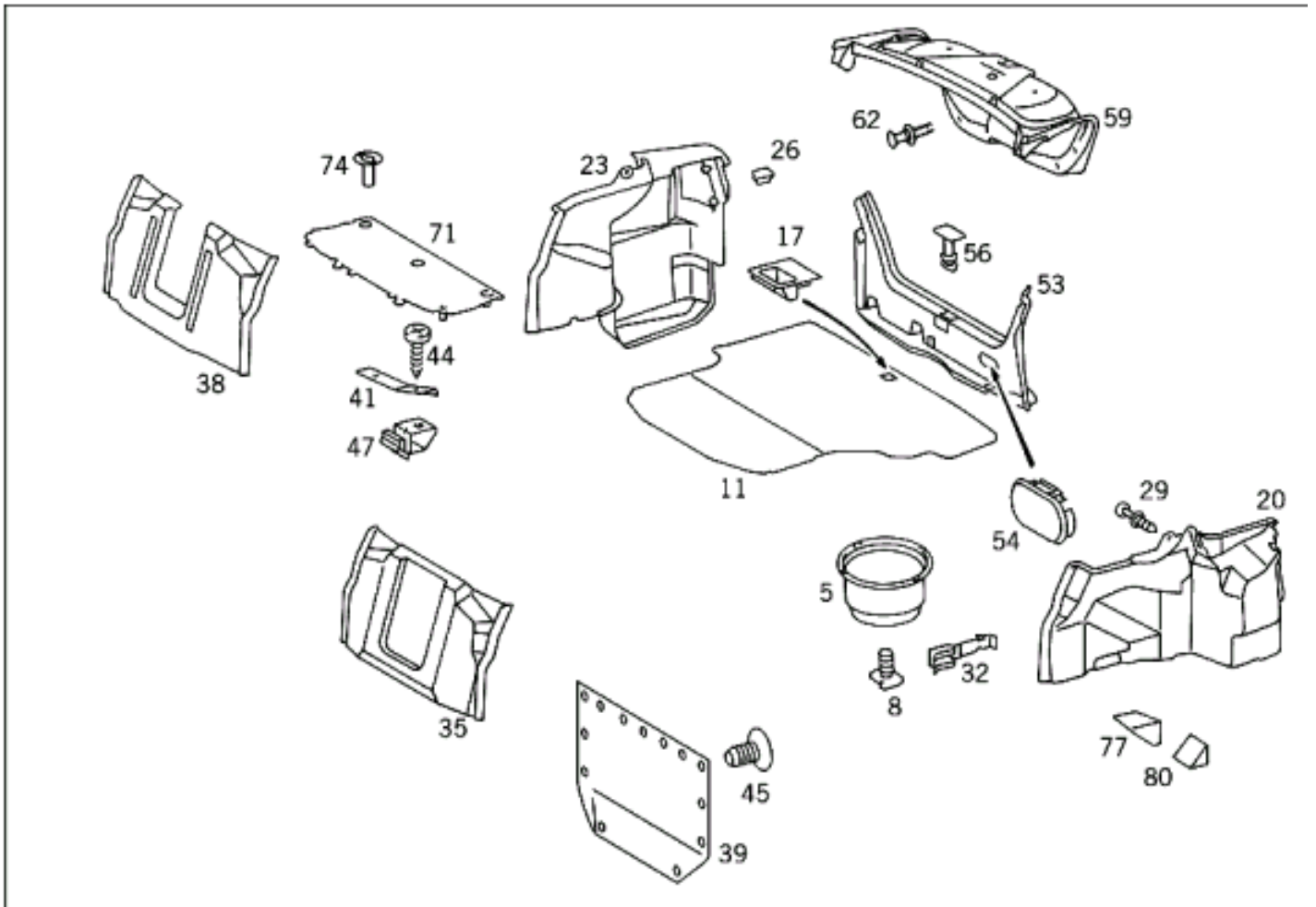
# LUGGAGE COMPARTMENT COVERING



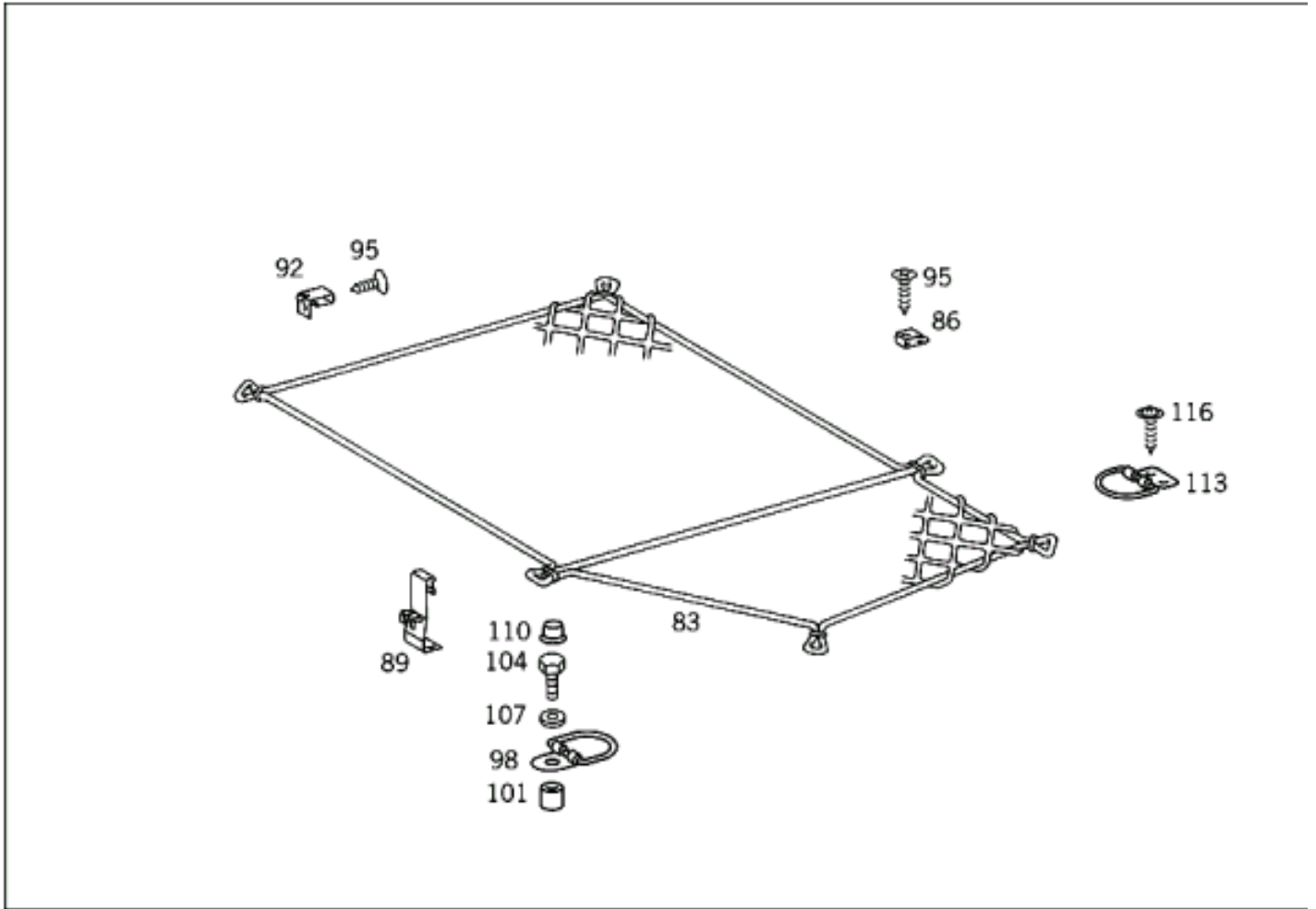
# LUGGAGE COMPARTMENT COVERING



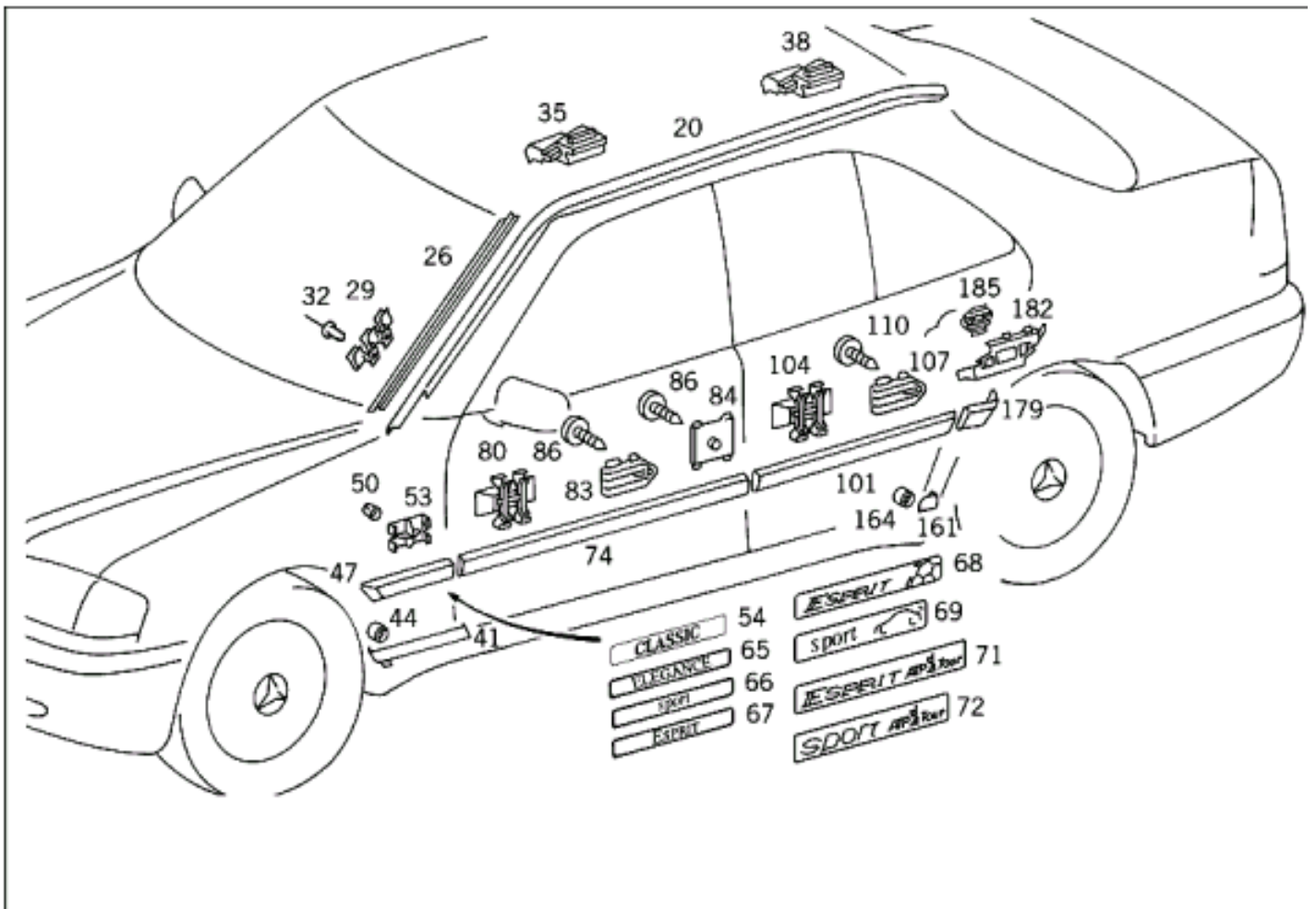
# LUGGAGE COMPARTMENT COVERING



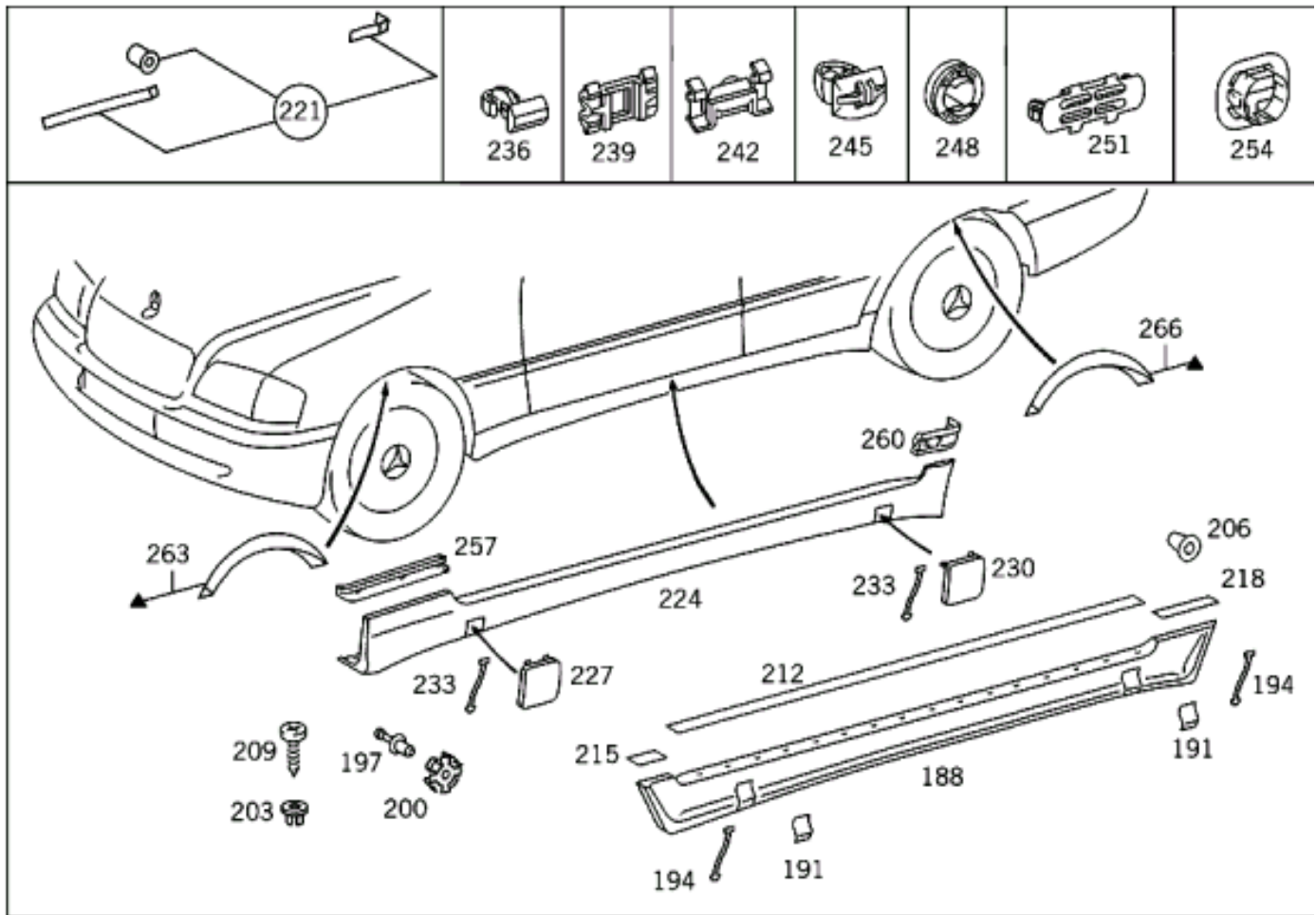
# LUGGAGE COMPARTMENT COVERING



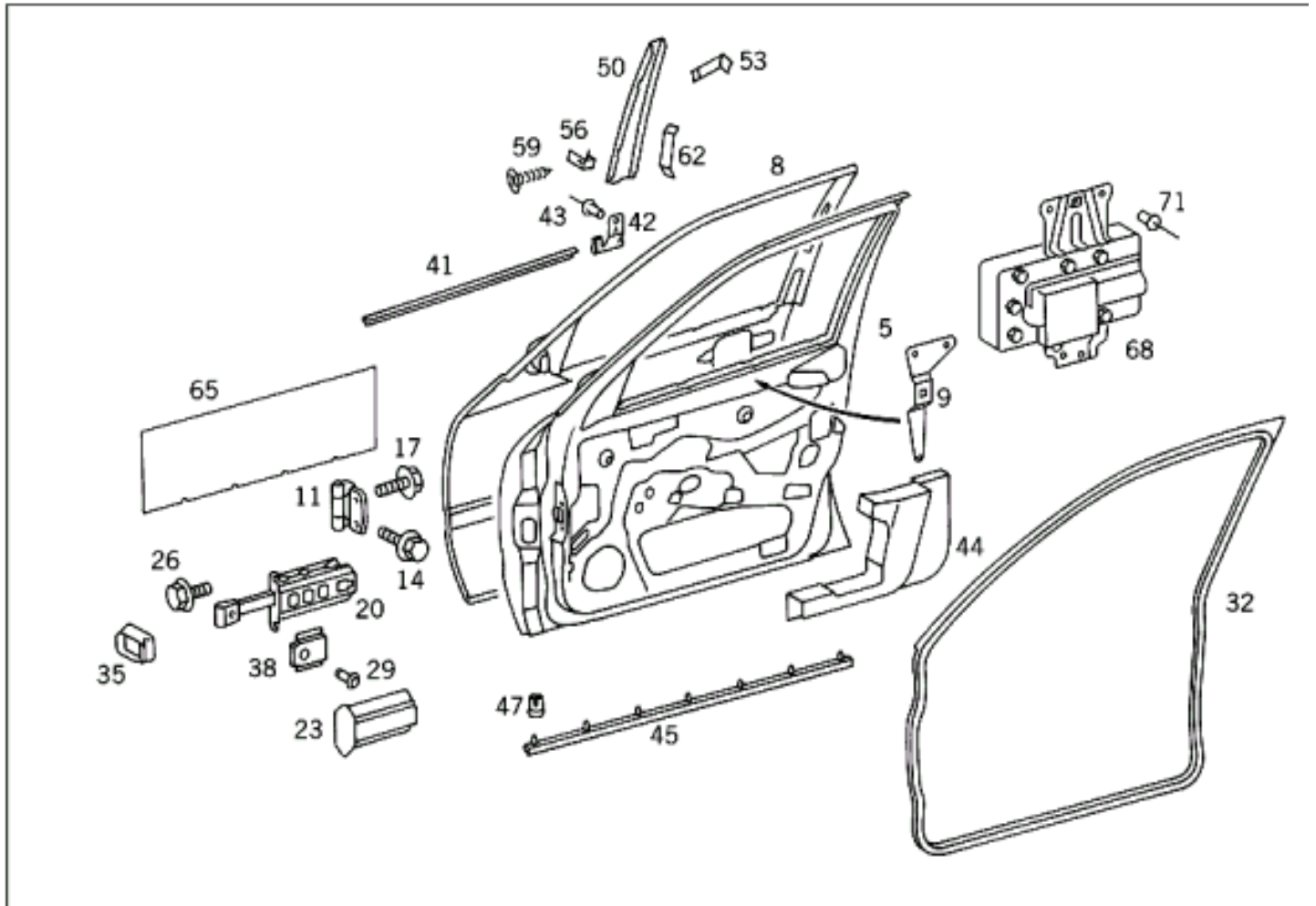
# OUTSIDE ATTACHMENT PARTS



OUTSIDE ATTACHMENT PARTS

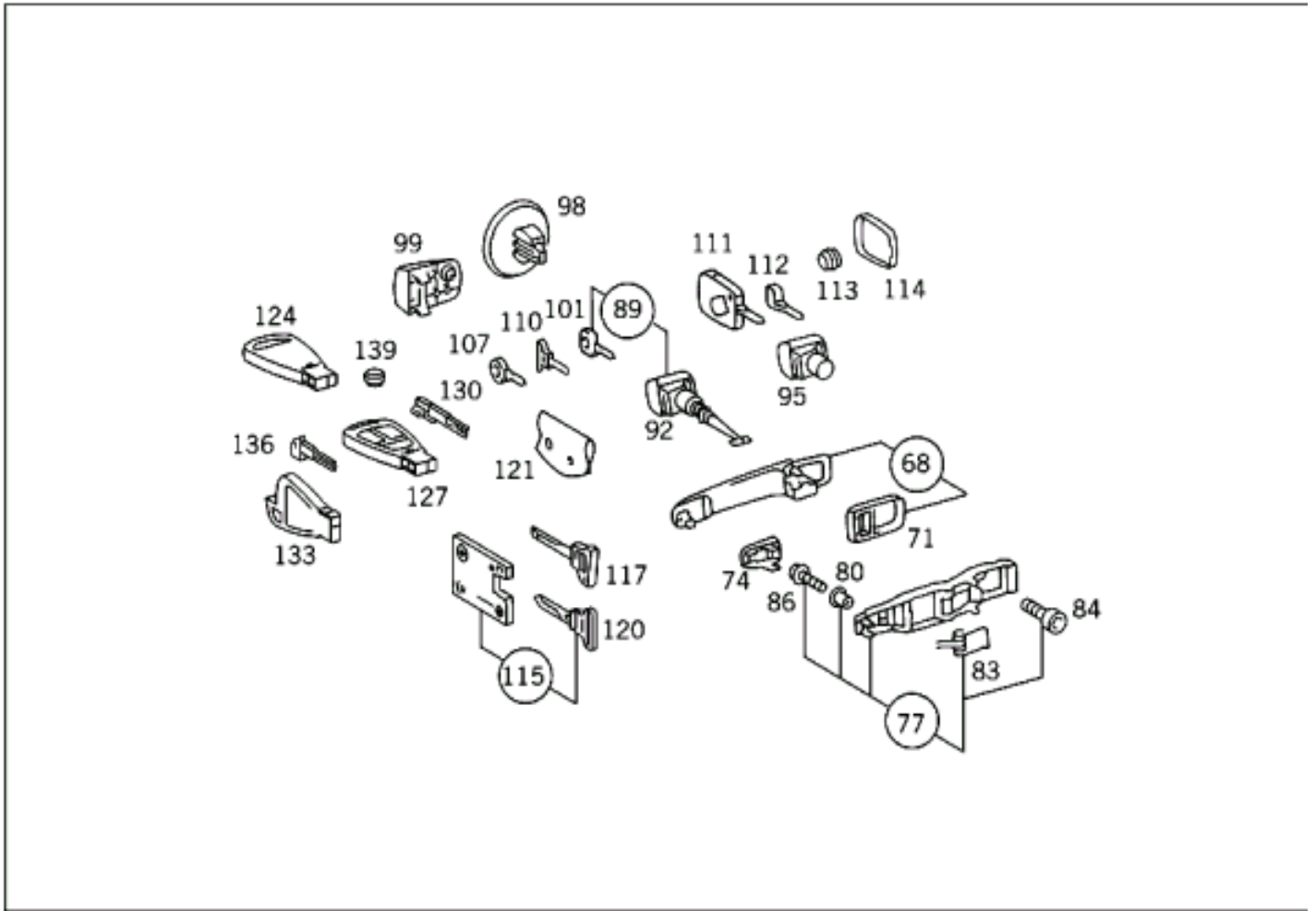


FRONT DOORS

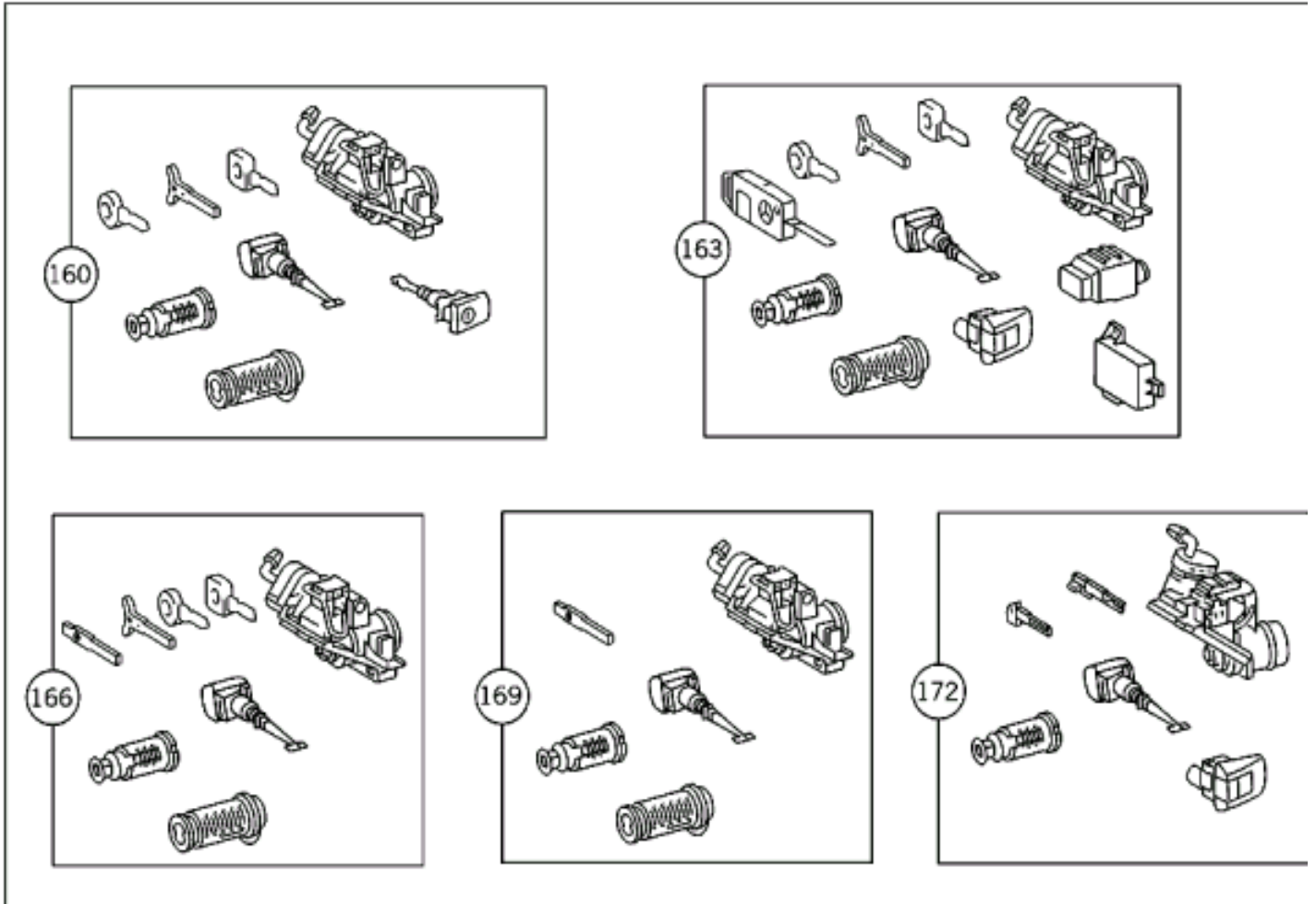




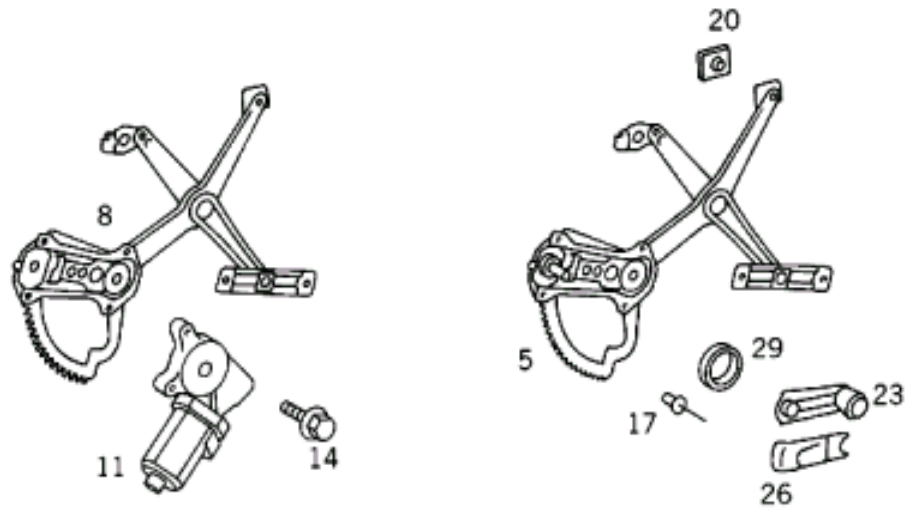
# CLOSING SYSTEM



# CLOSING SYSTEM



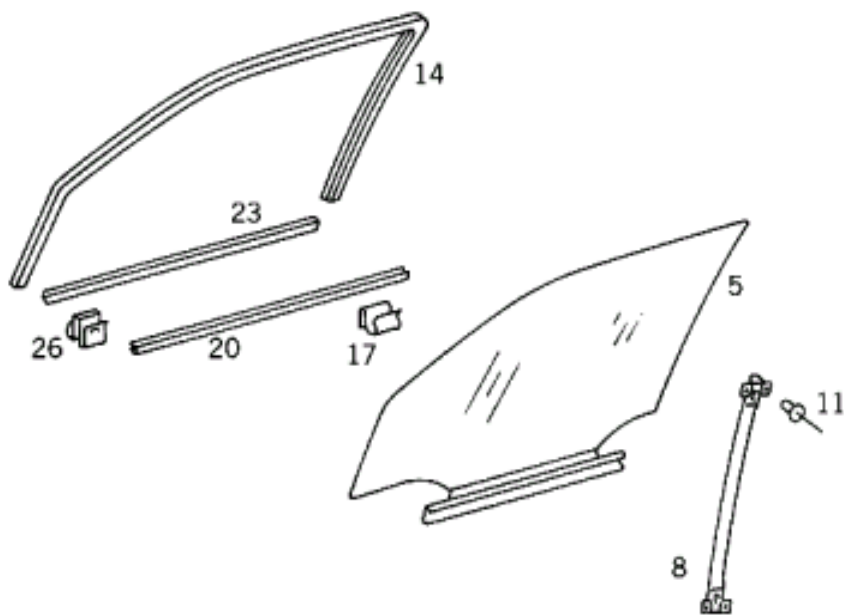
# WINDOW REGULATOR



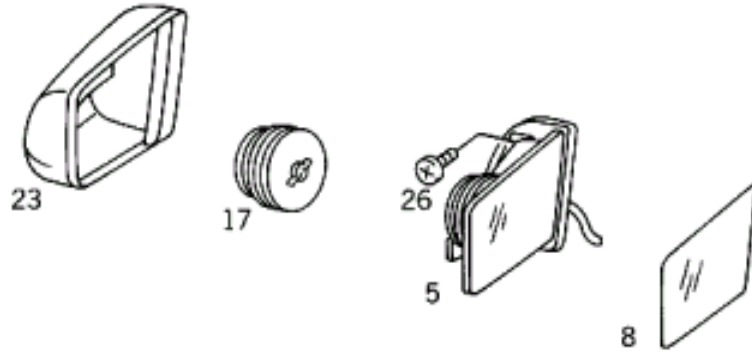
# FROONT DOOR WINDOWS



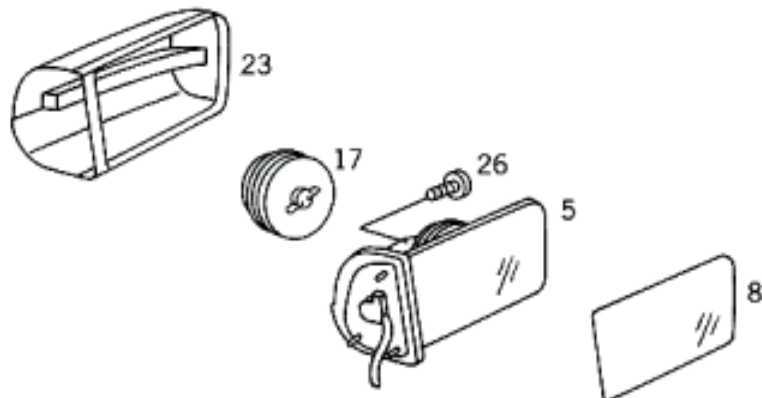
29



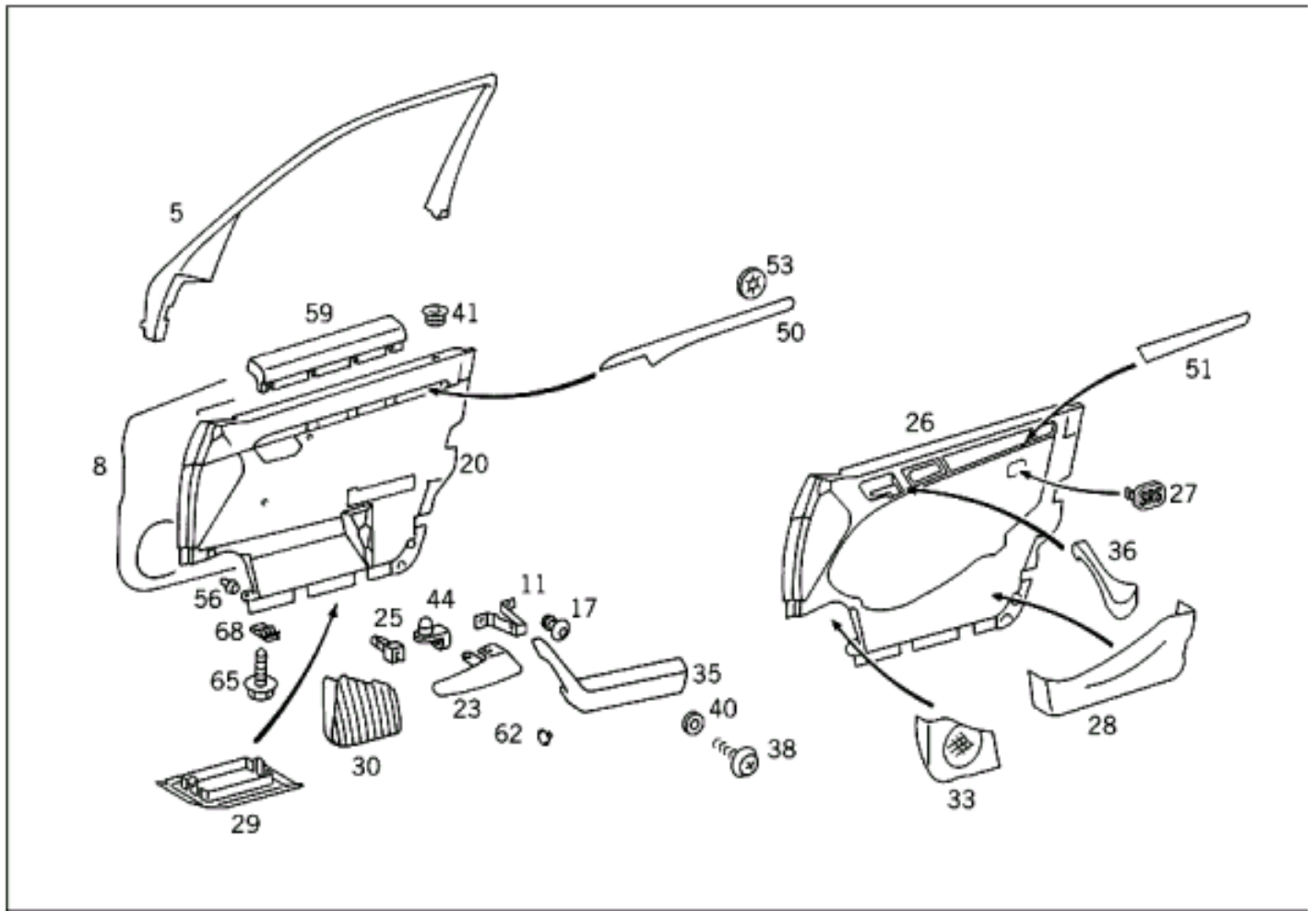
OUTSIDE REARVIEW MIRROR ON DRIVER'S SIDE



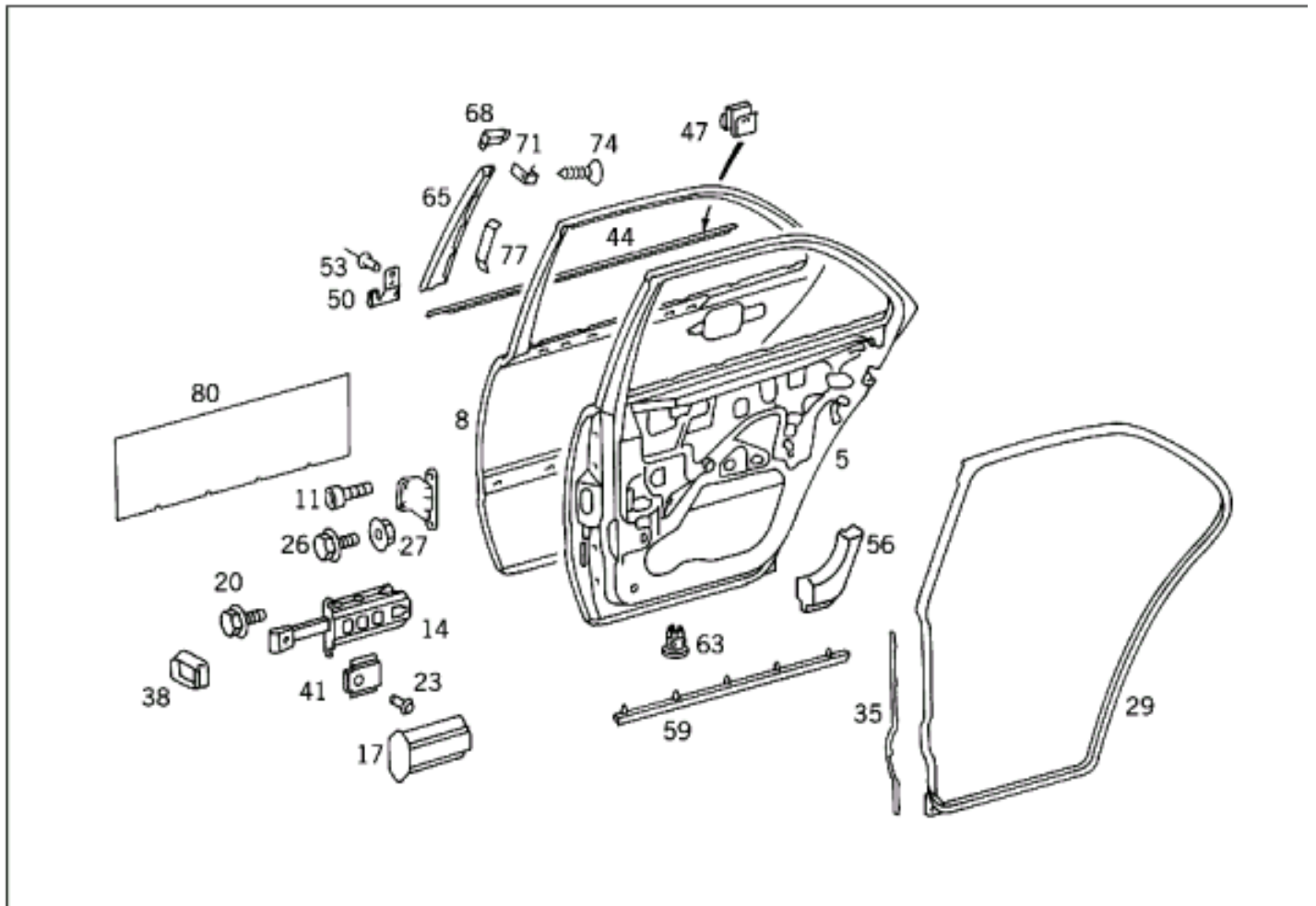
CD DRIVER'S OUTSIDE REARVIEW MIRROR



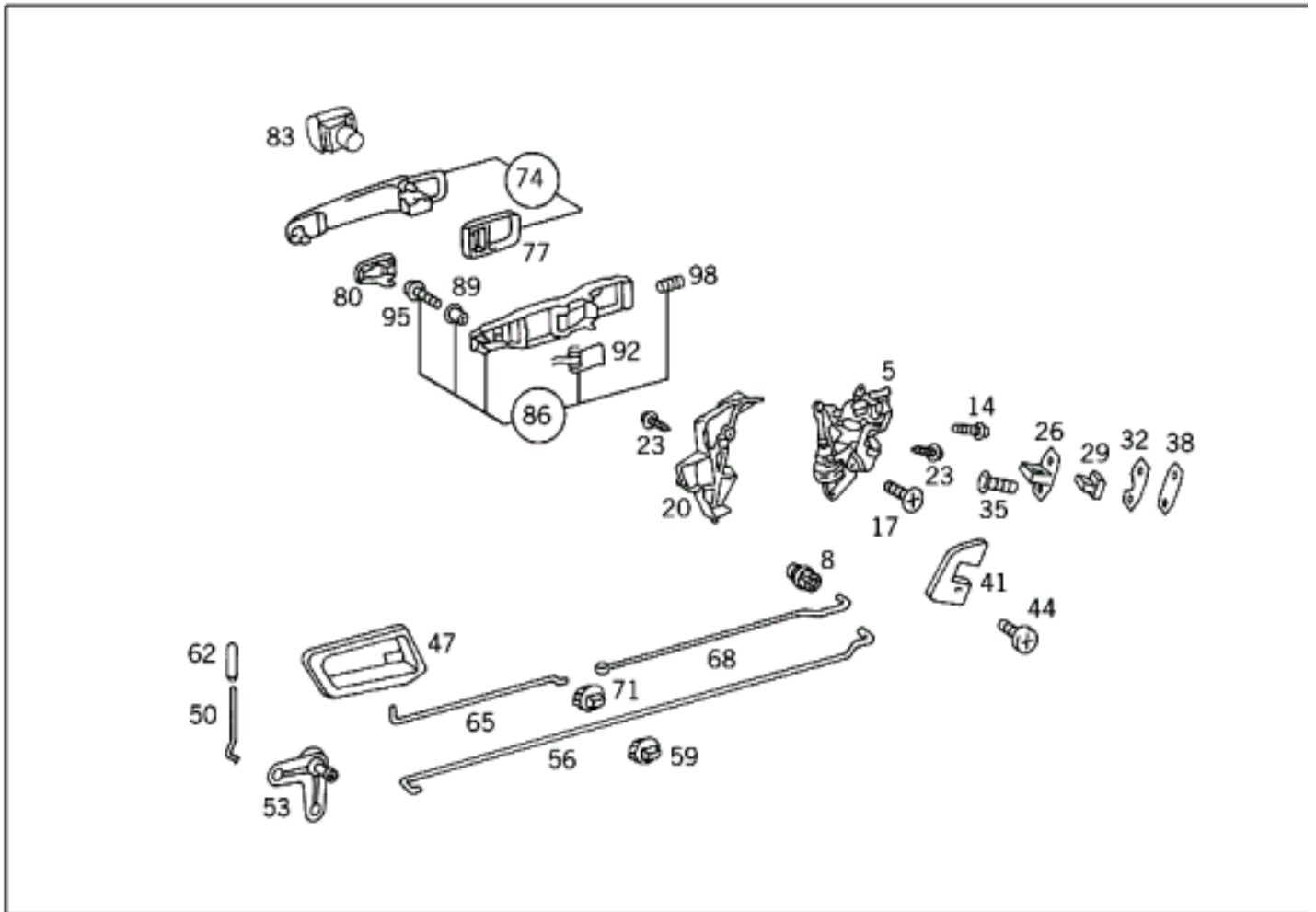
# DOOR COVERING



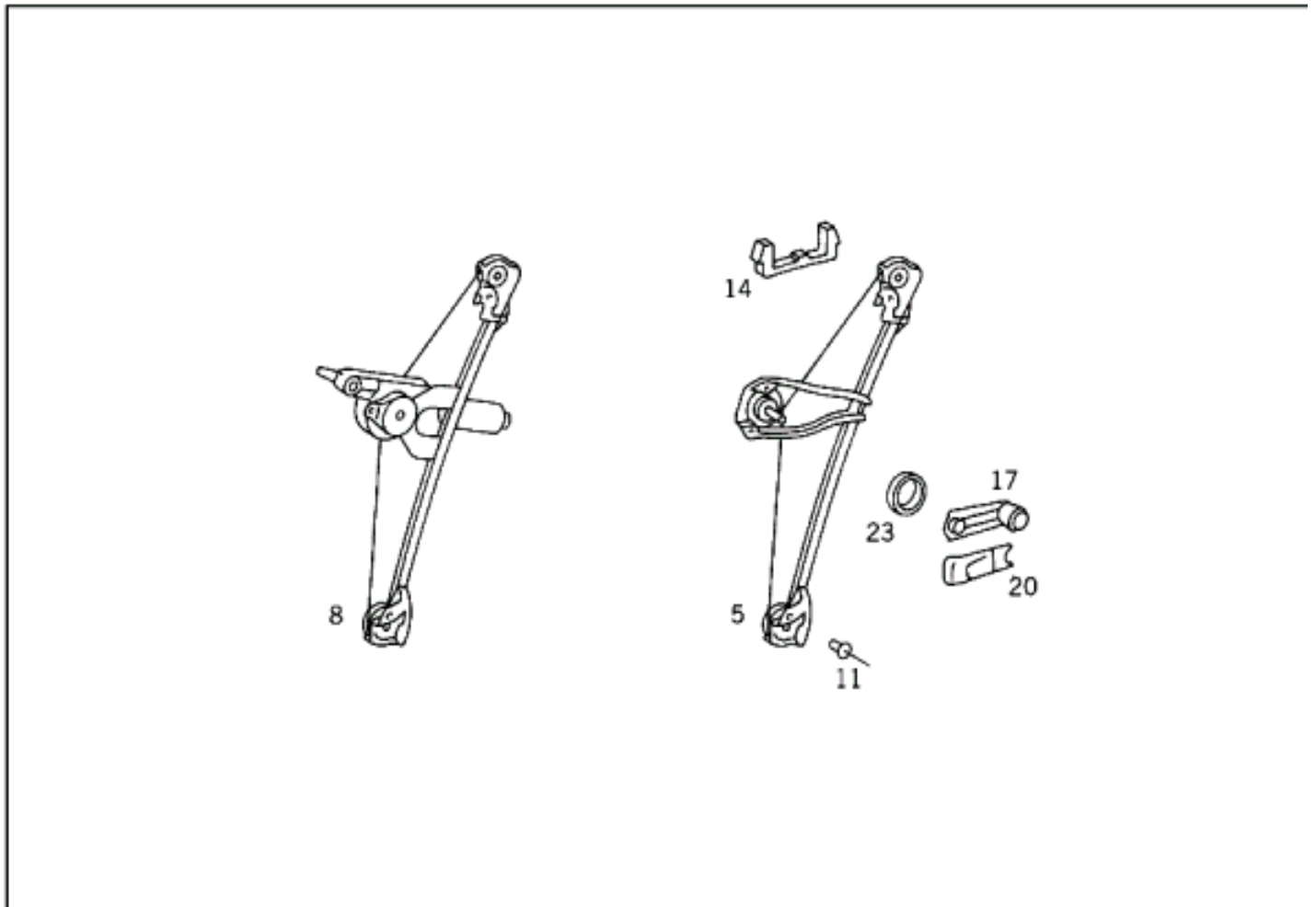
# REAR DOOR



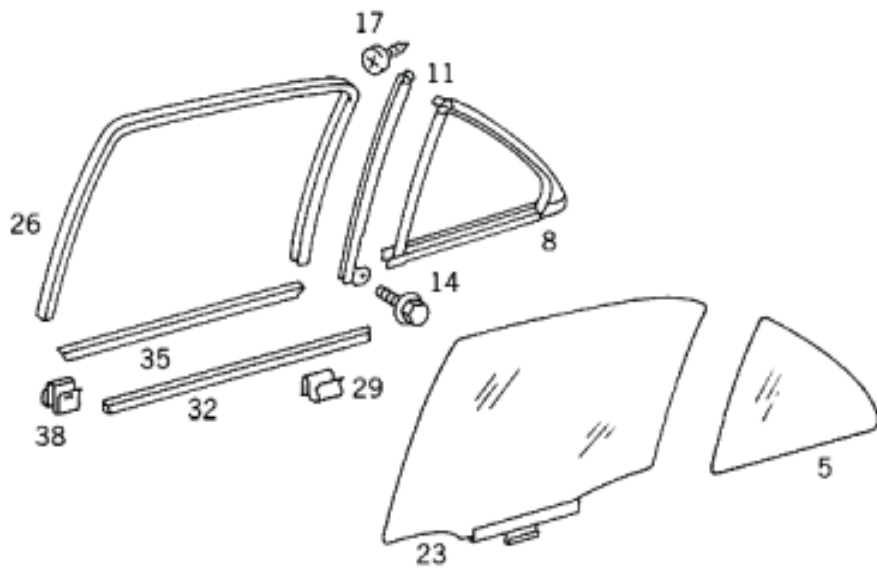
# CLOSING SYSTEM



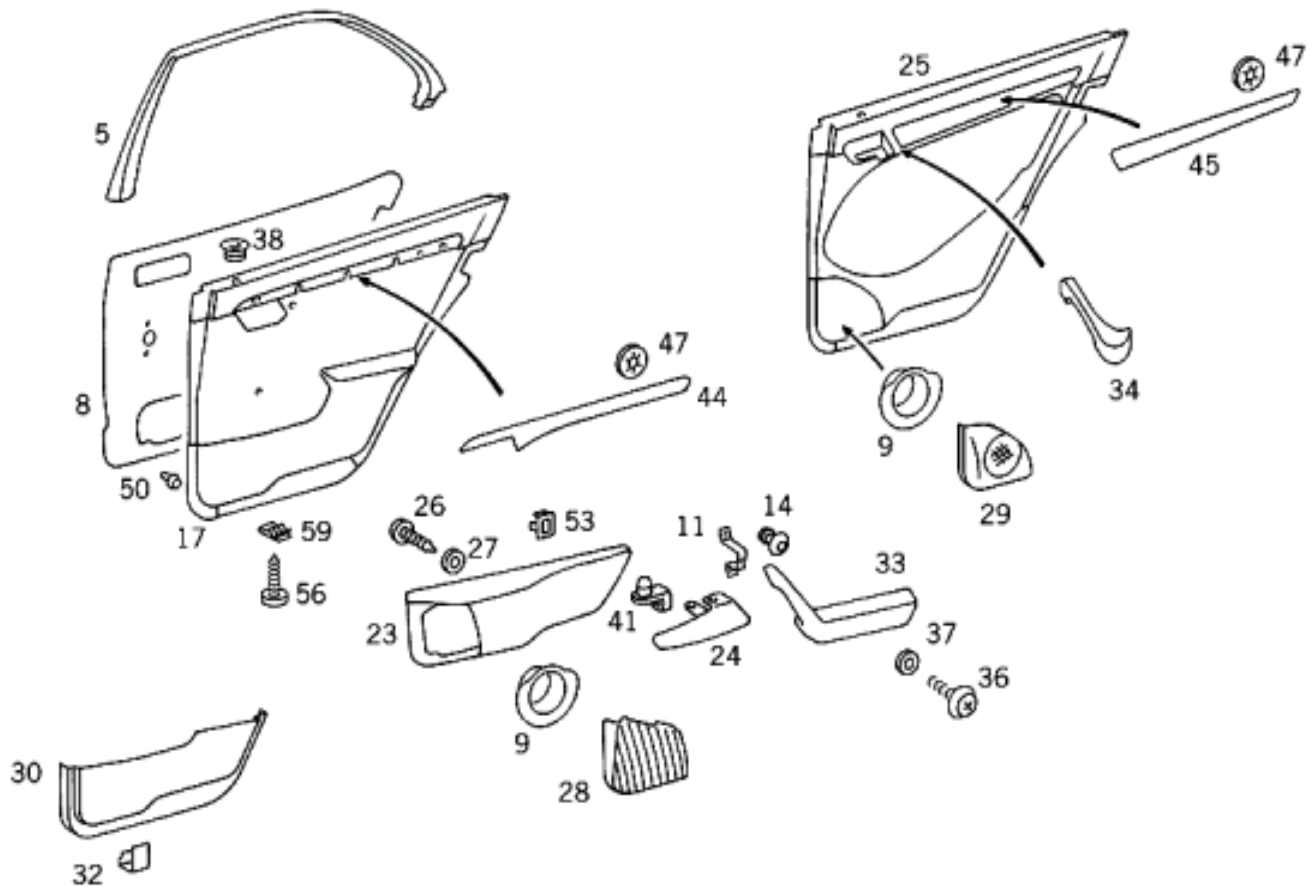
# WINDOW REGULATOR



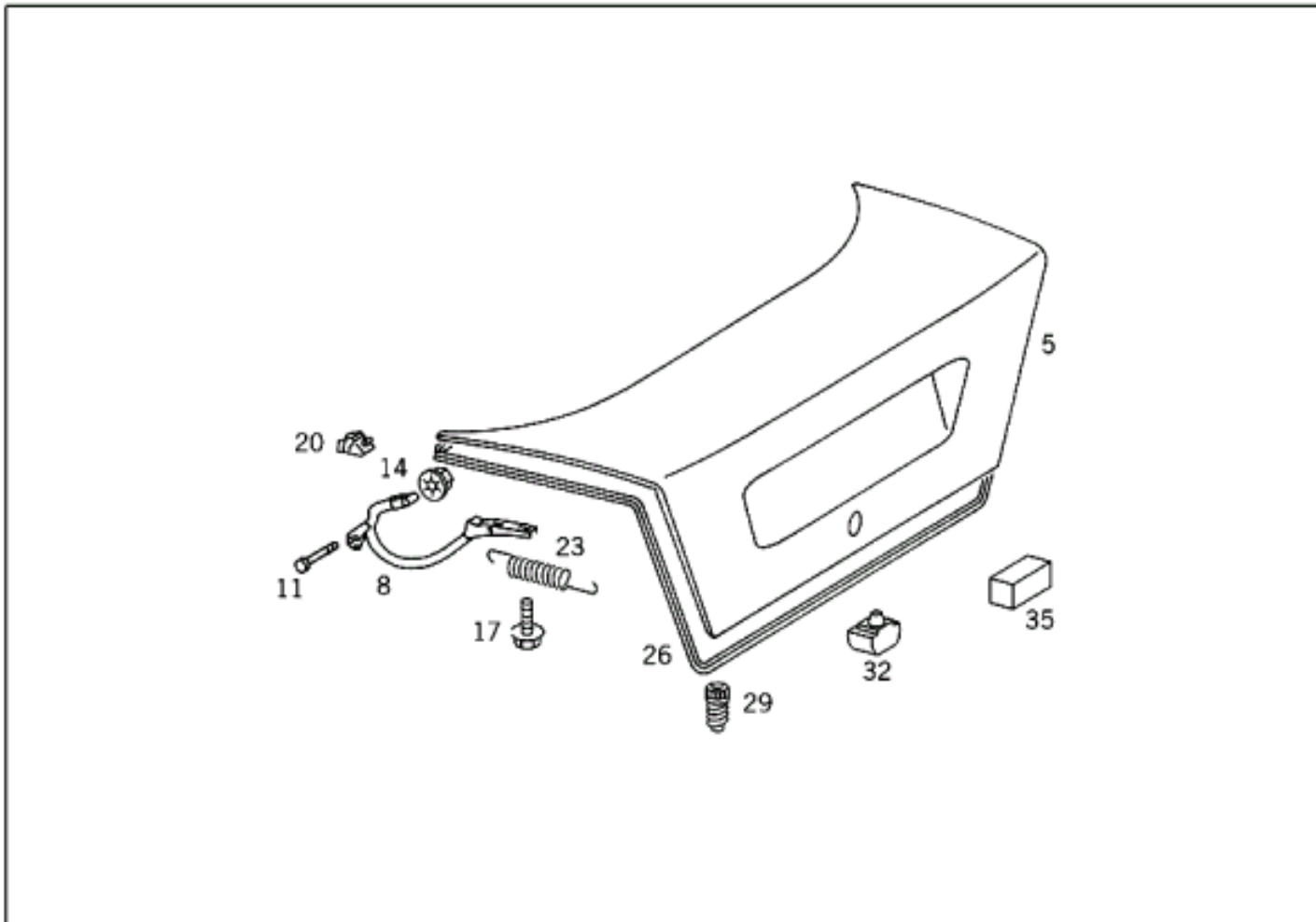
## REAR DOOR WINDOWS



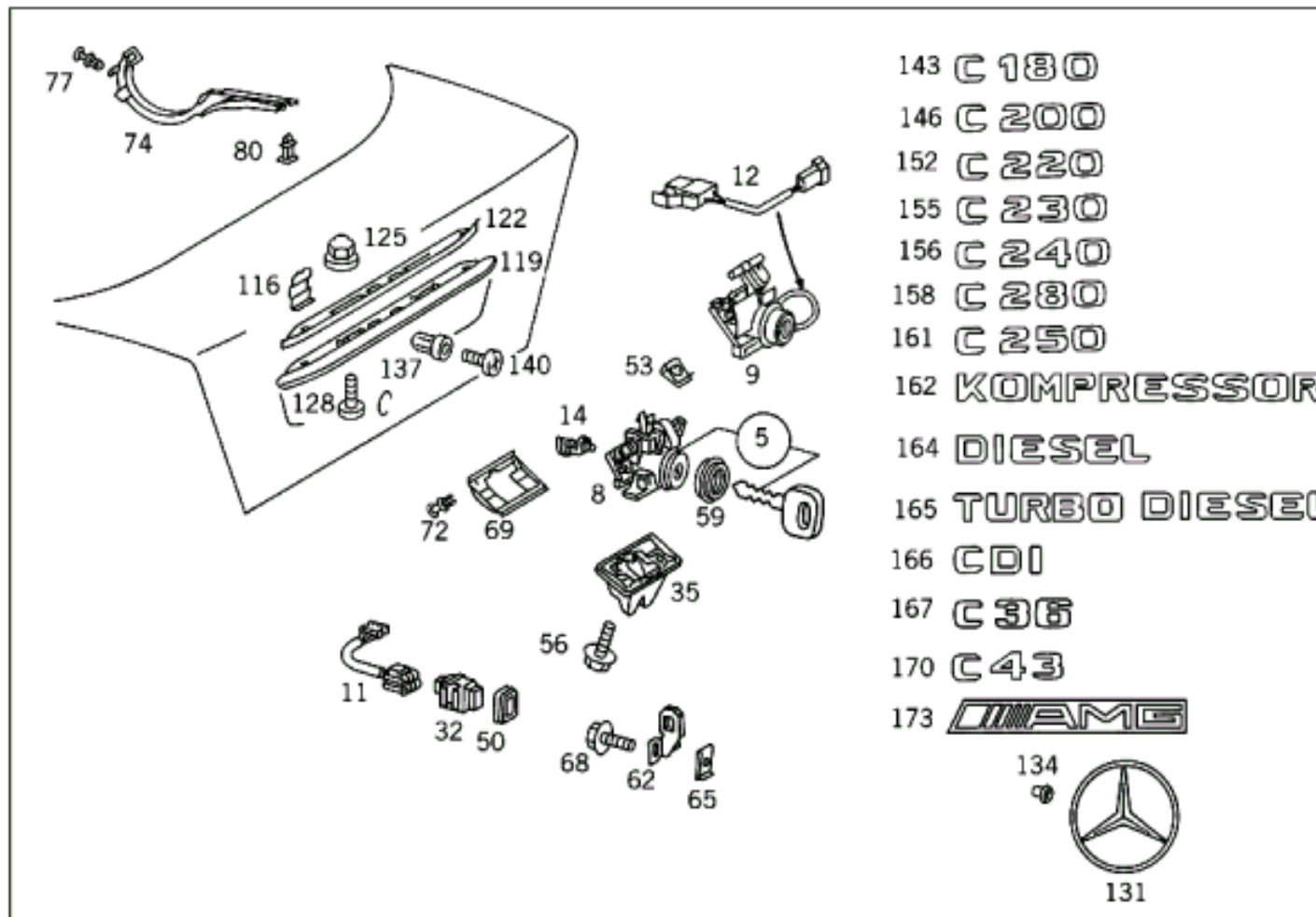
## DOOR COVERING



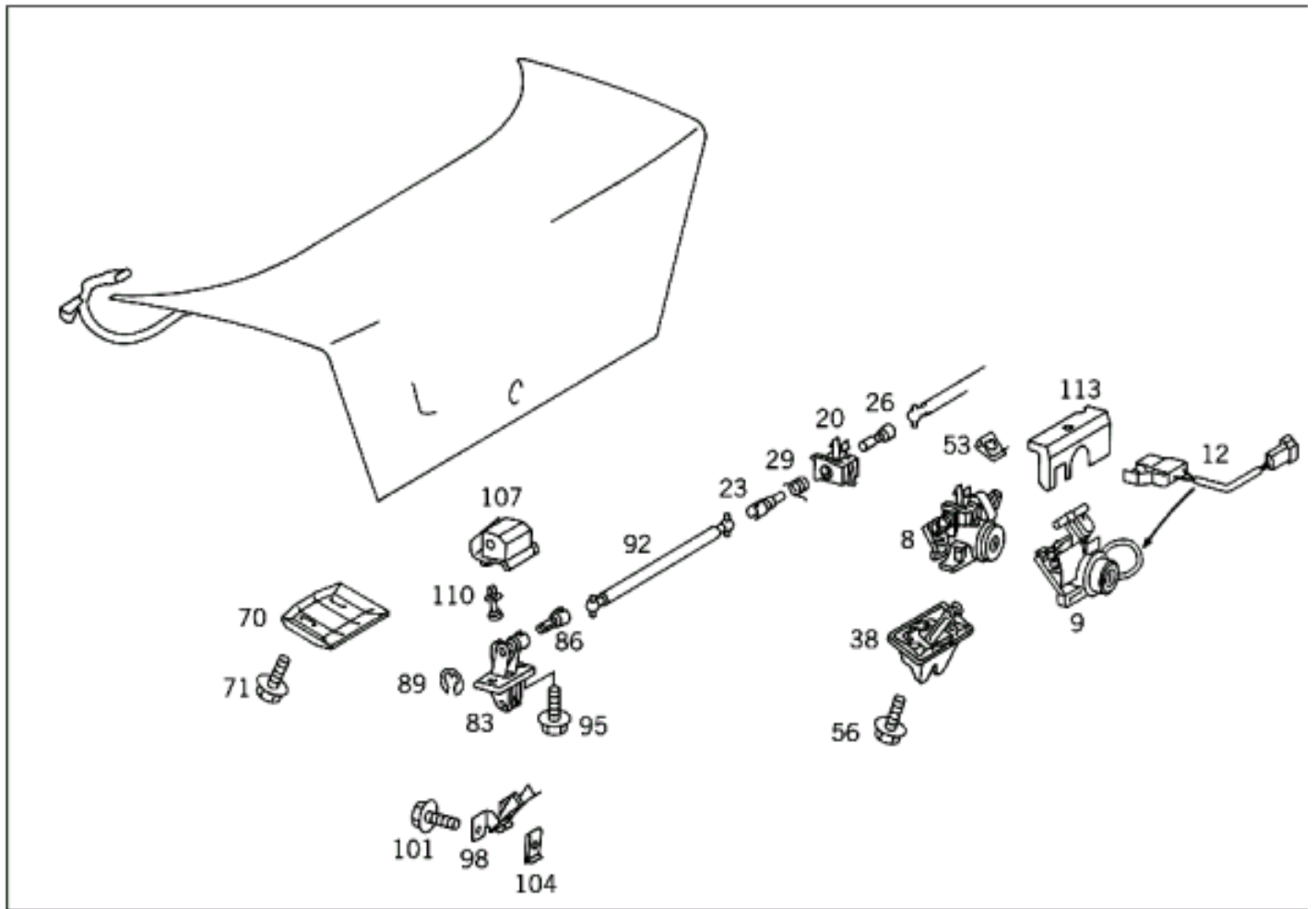
REAR LID



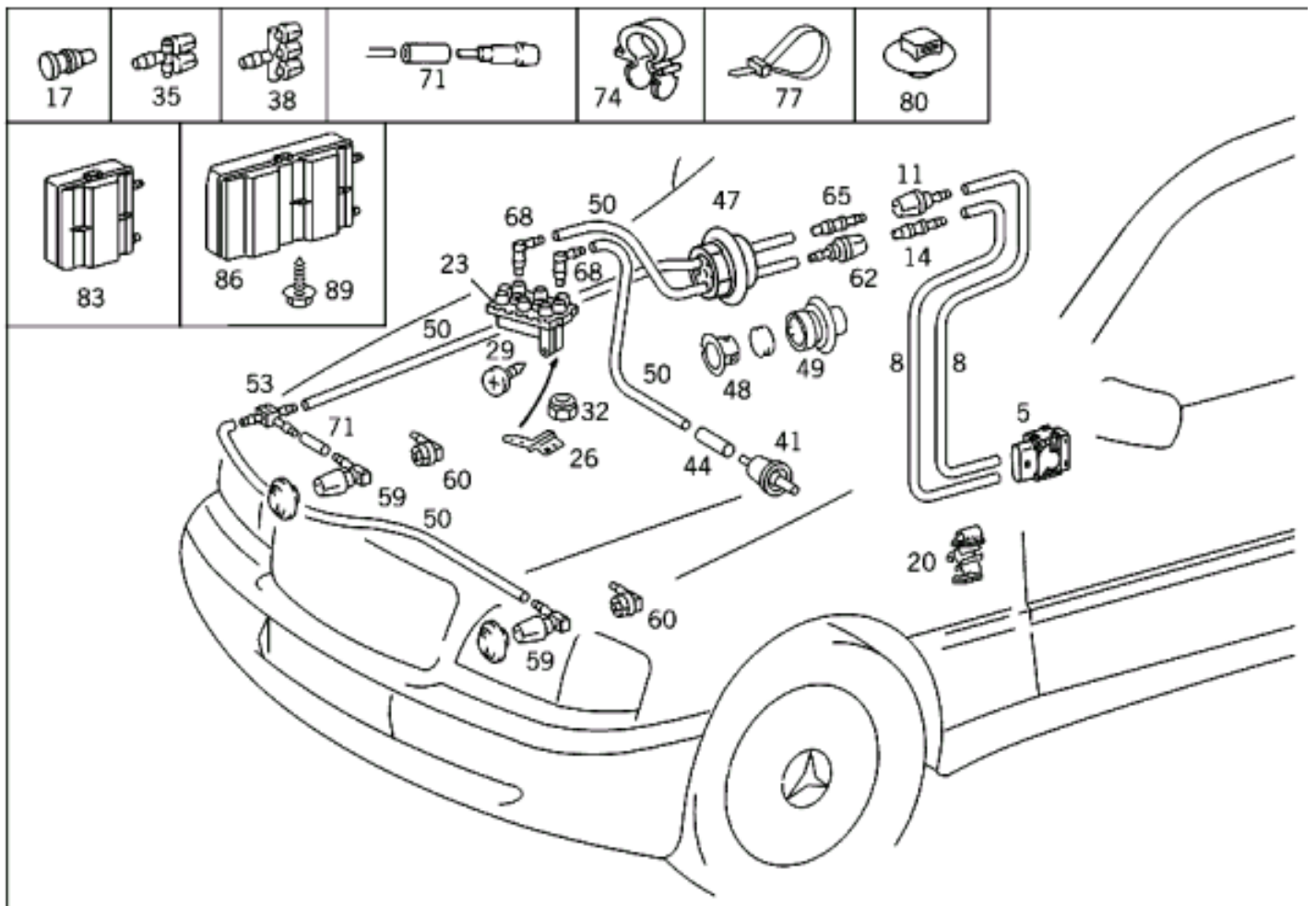
REAR LID LATCH TYPE LOCK



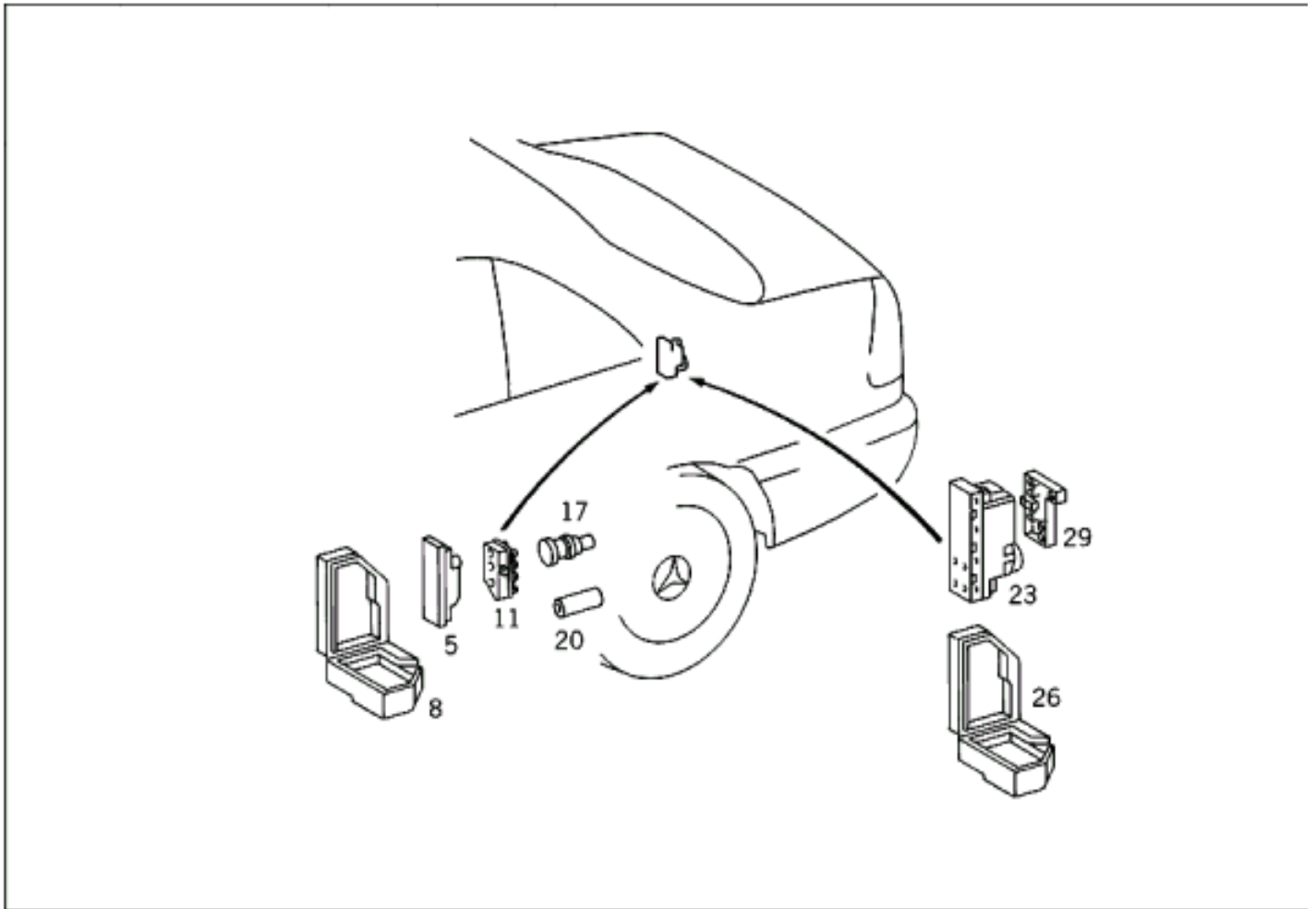
# REAR LID LATCH TYPE LOCK



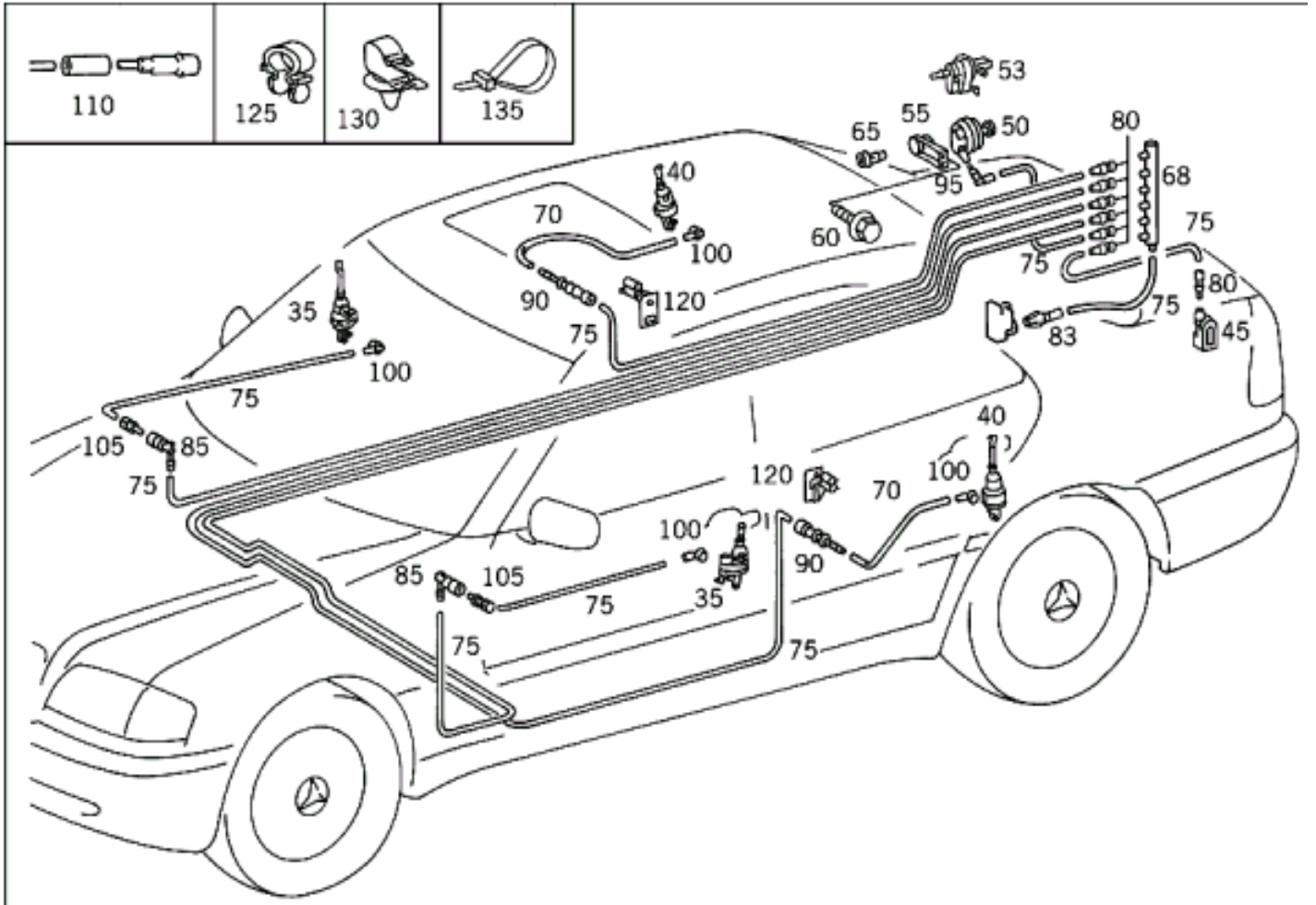
# ENGINE VACUUM CONNECTION AND LIGHT RANGE REGULATOR



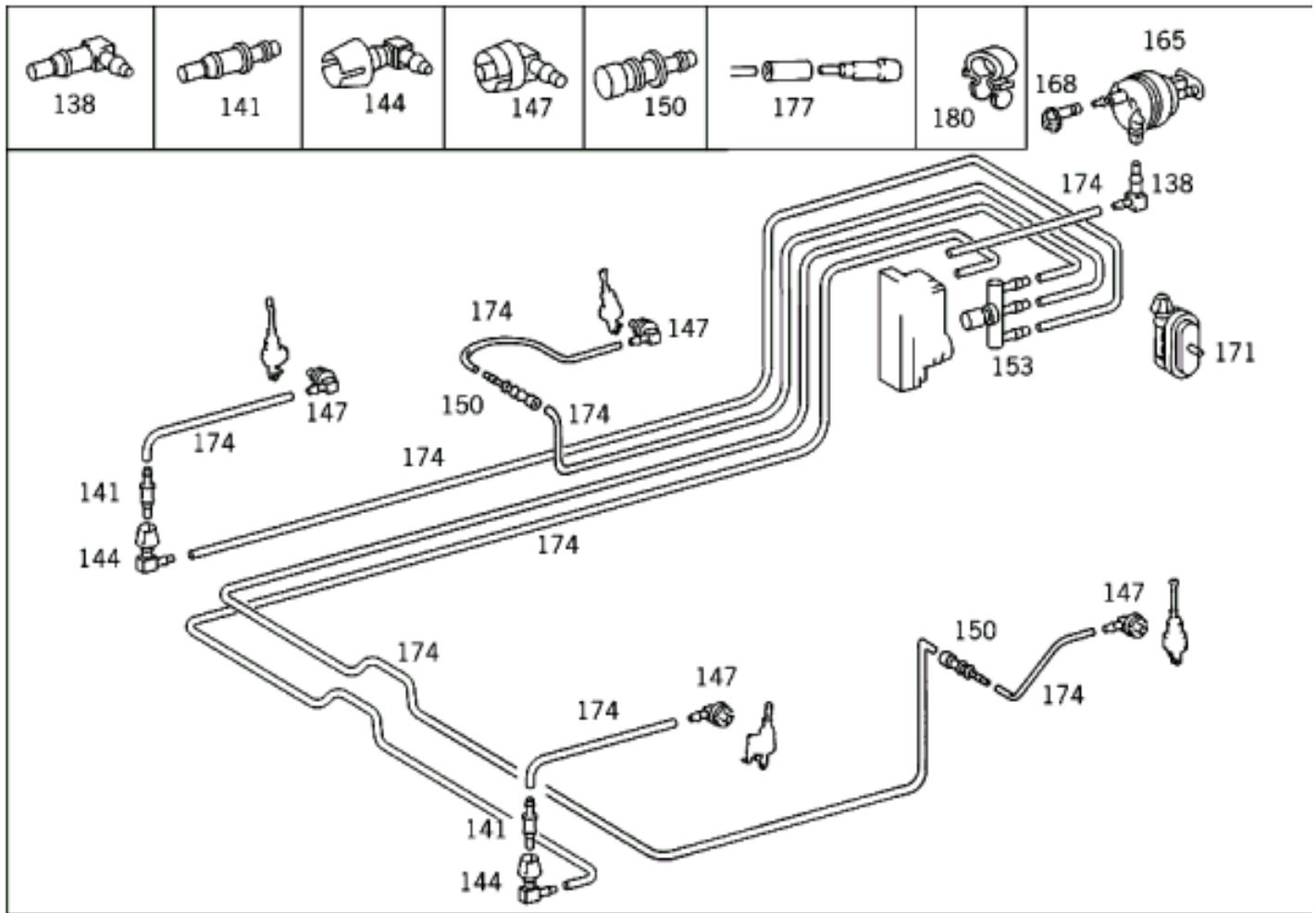
## VACUUM PUMP CONNECTOR



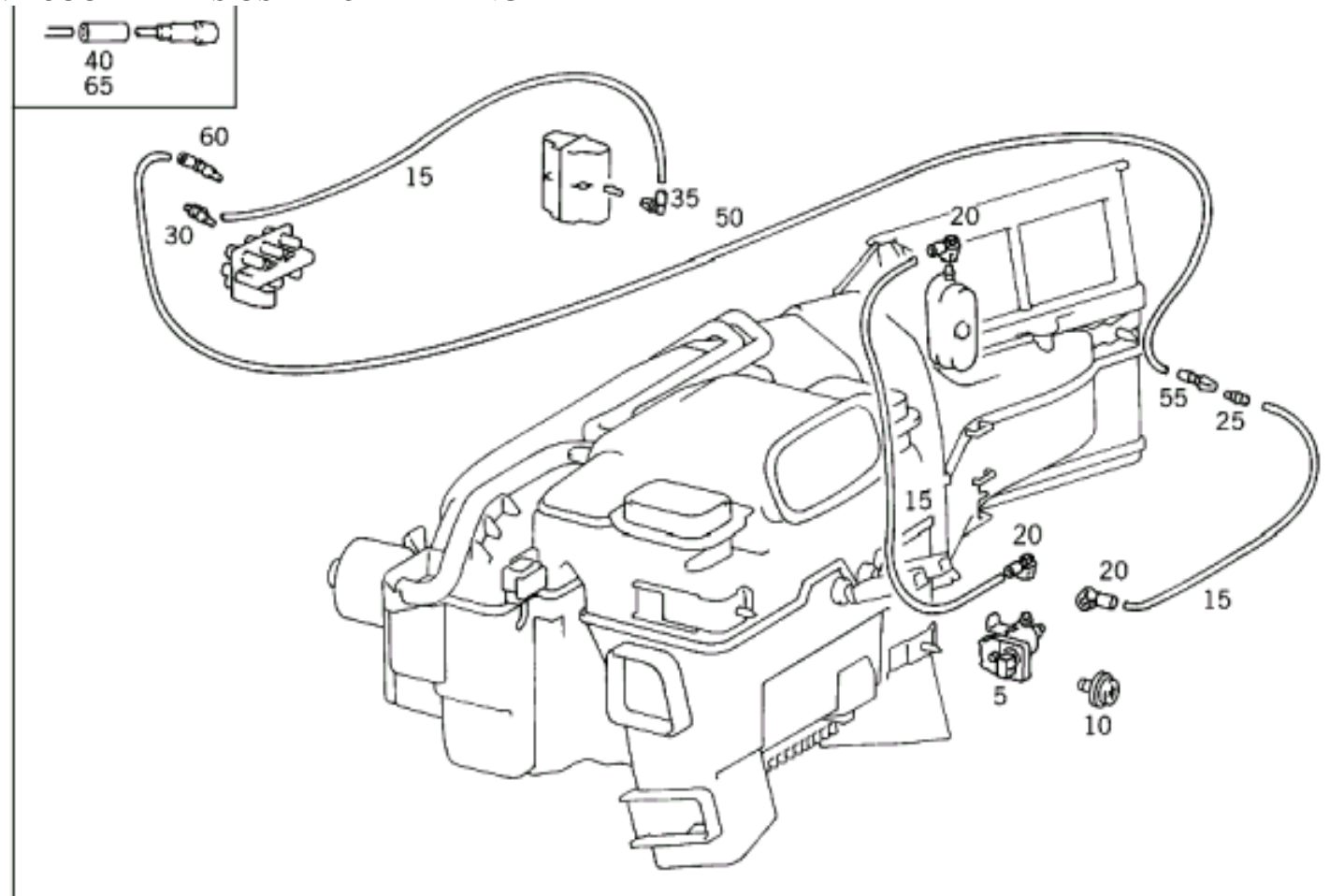
## CENTRAL LOCKING MECHANISM



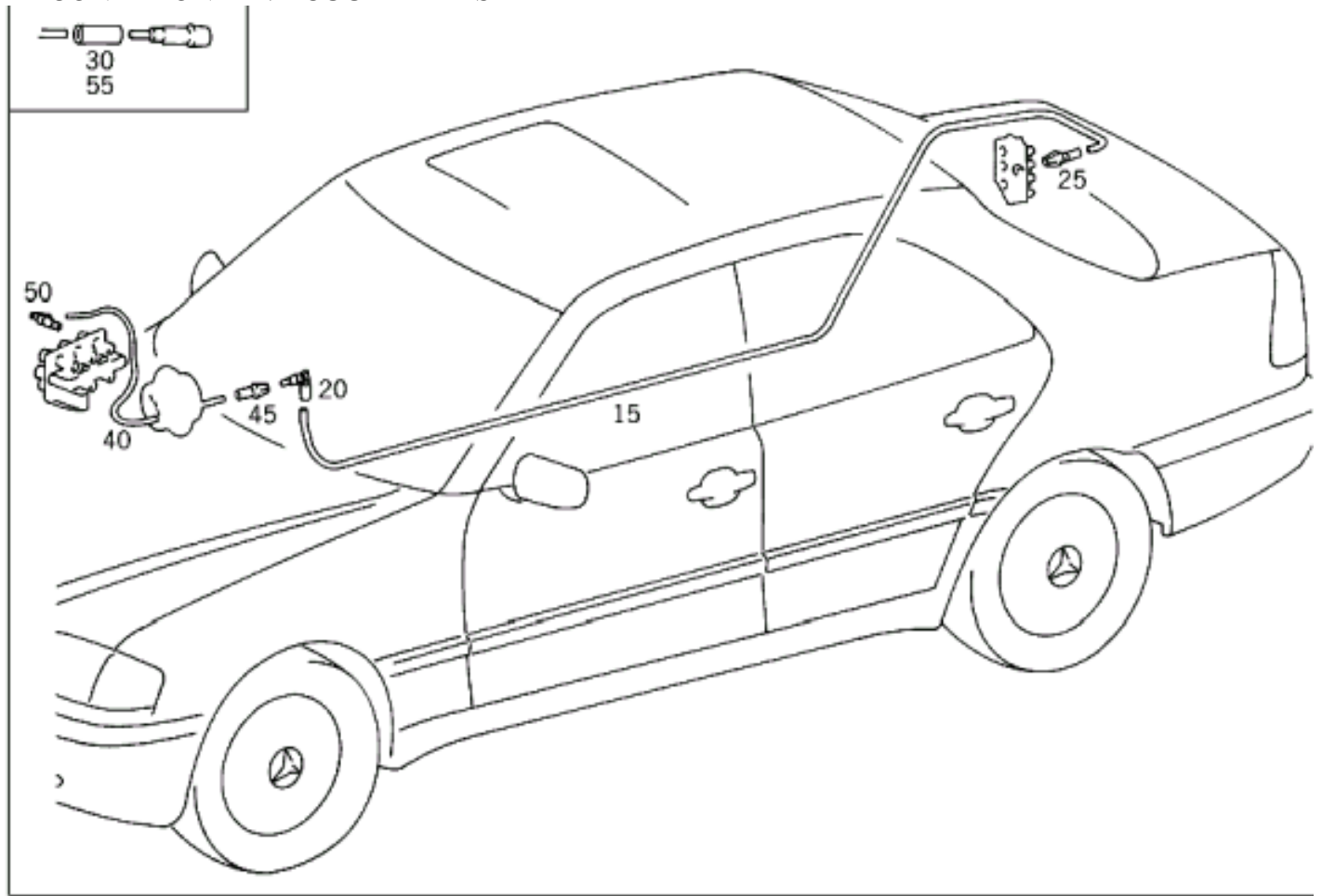
# CENTRAL LOCKING MECHANISM



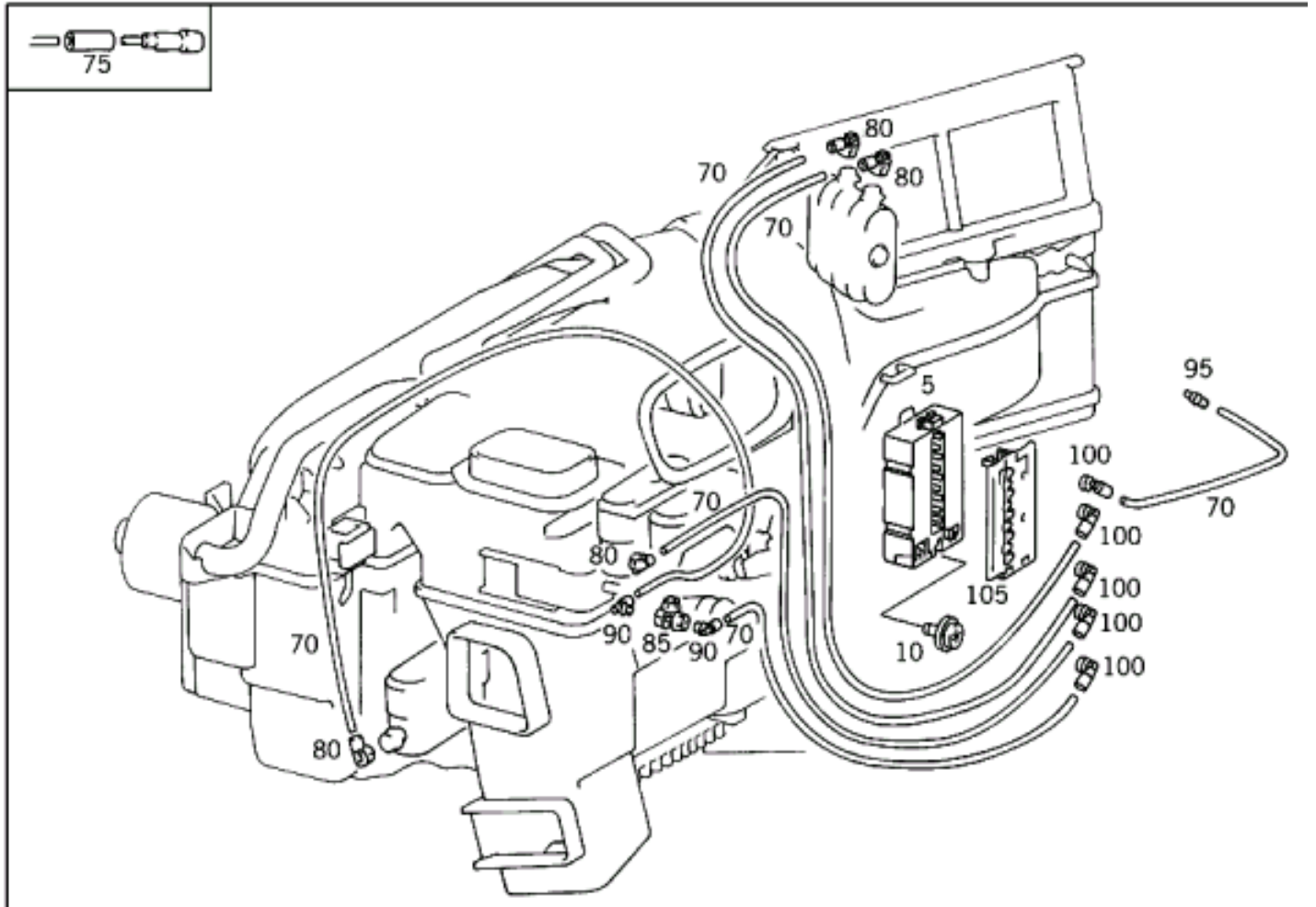
# VACUUM PARTS USED FOR HEATING



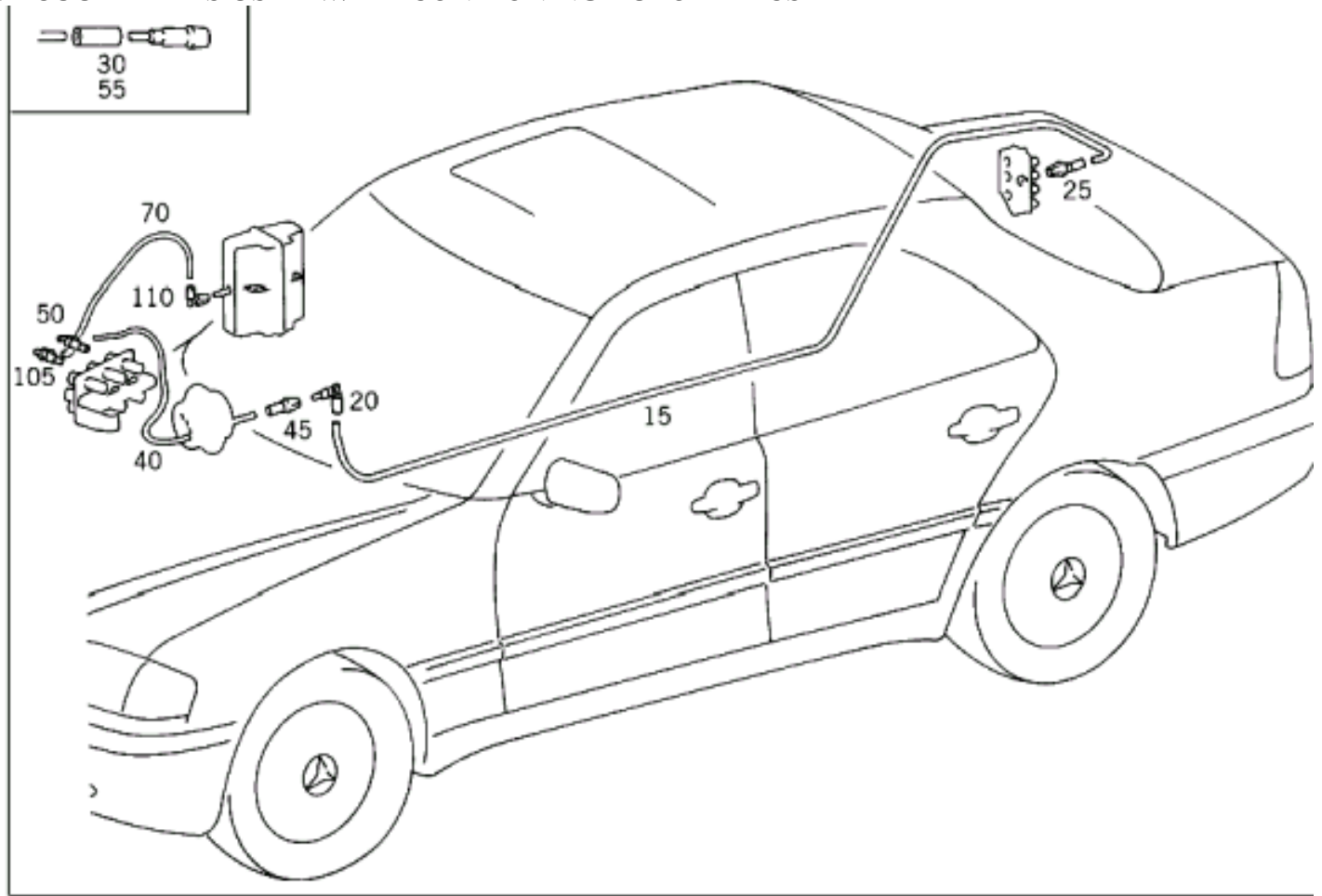
AIR CONDITIONER VACUUM PARTS



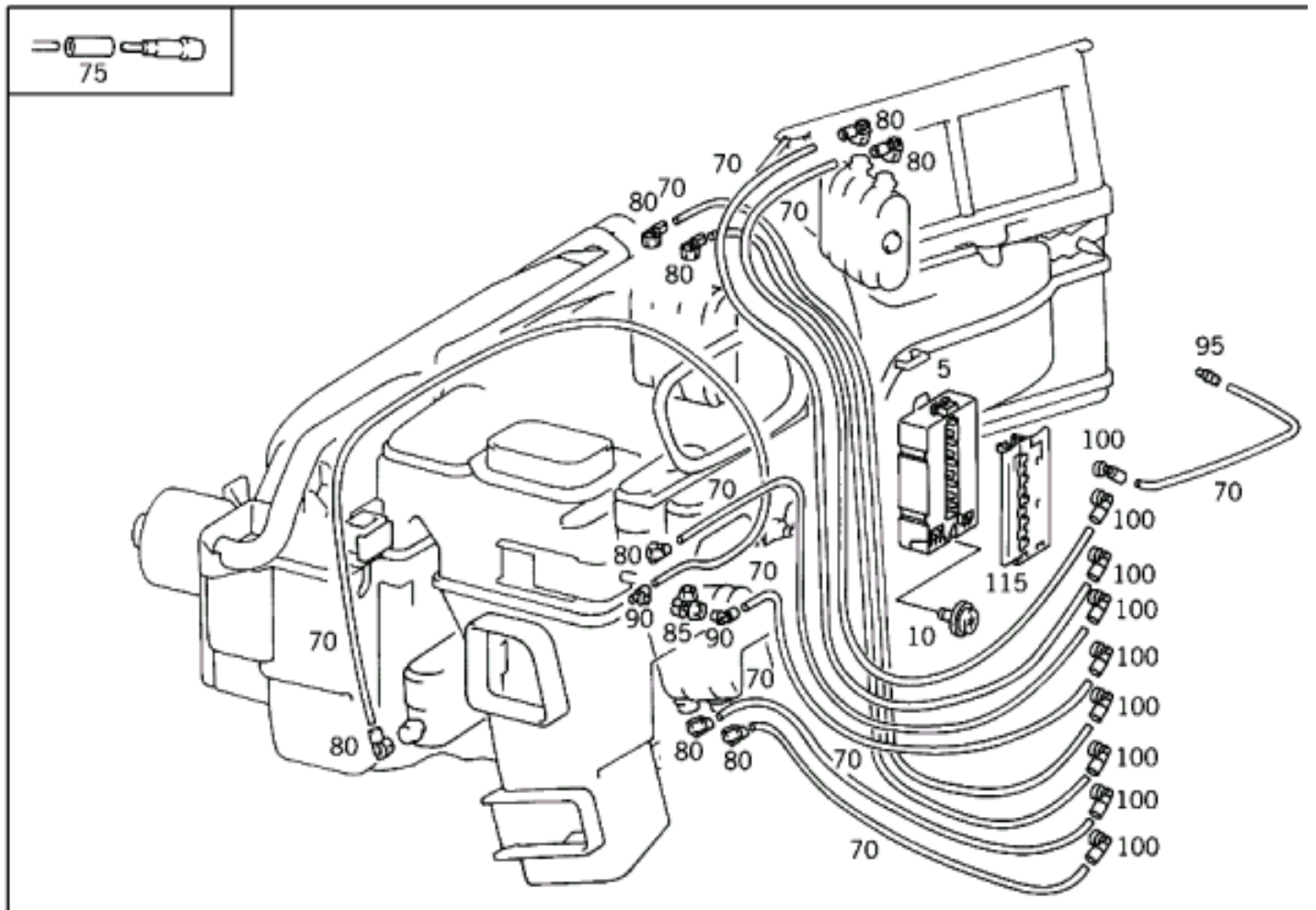
AIR CONDITIONER VACUUM PARTS



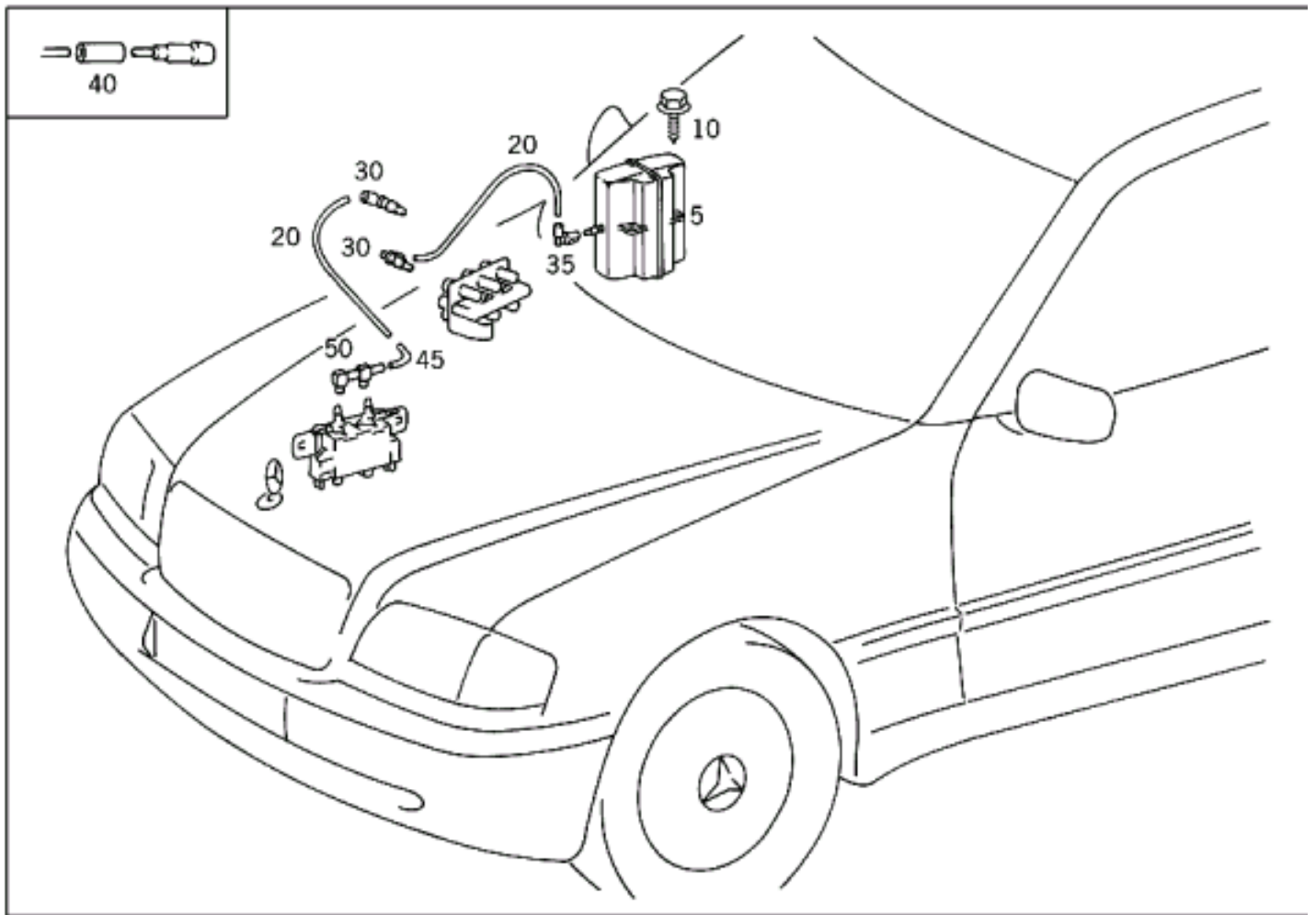
VACUUM PARTS USED W/AIR CONDITIONING AUTOMATICS



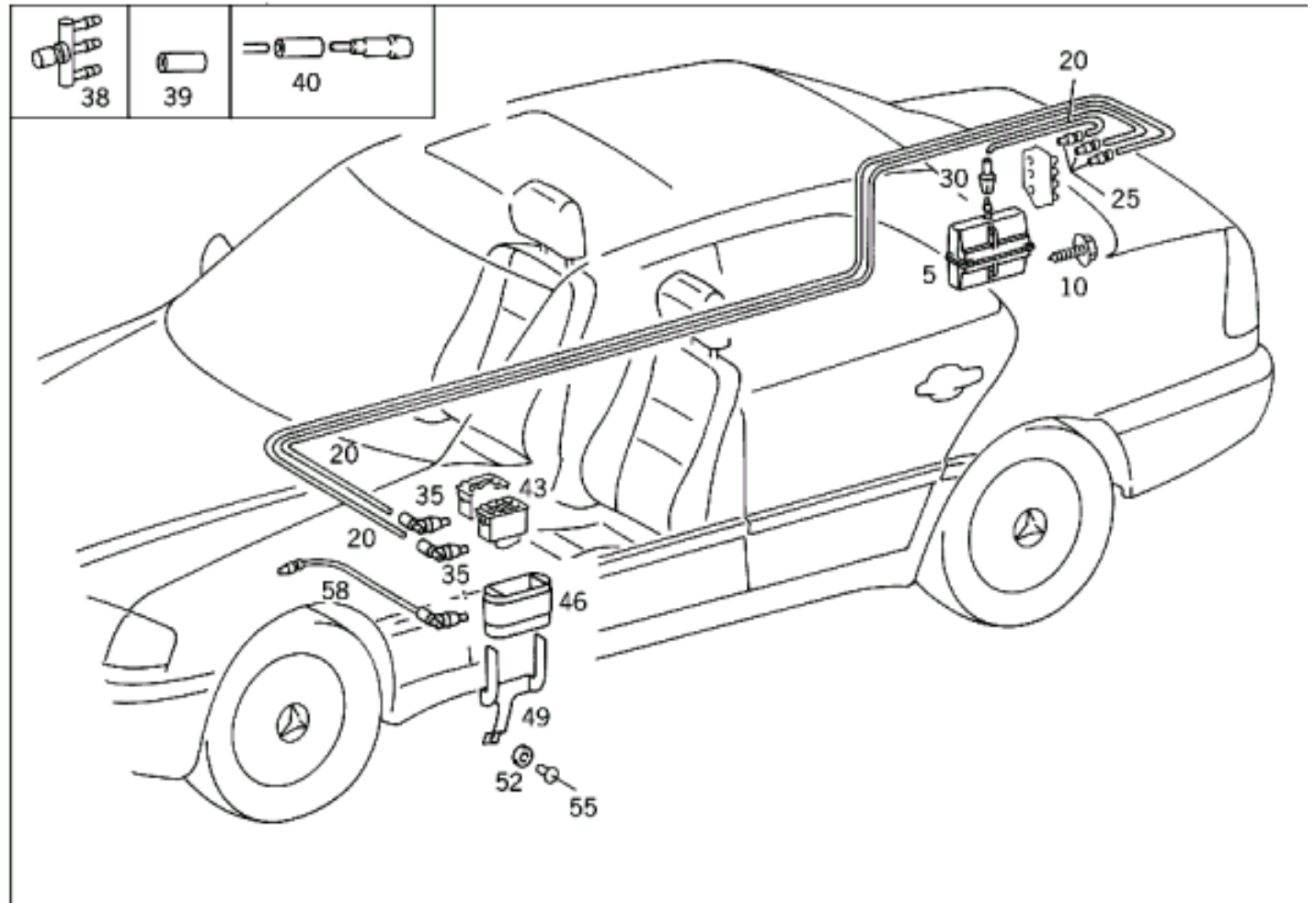
VACUUM PARTS USED W/AIR CONDITIONING AUTOMATICS



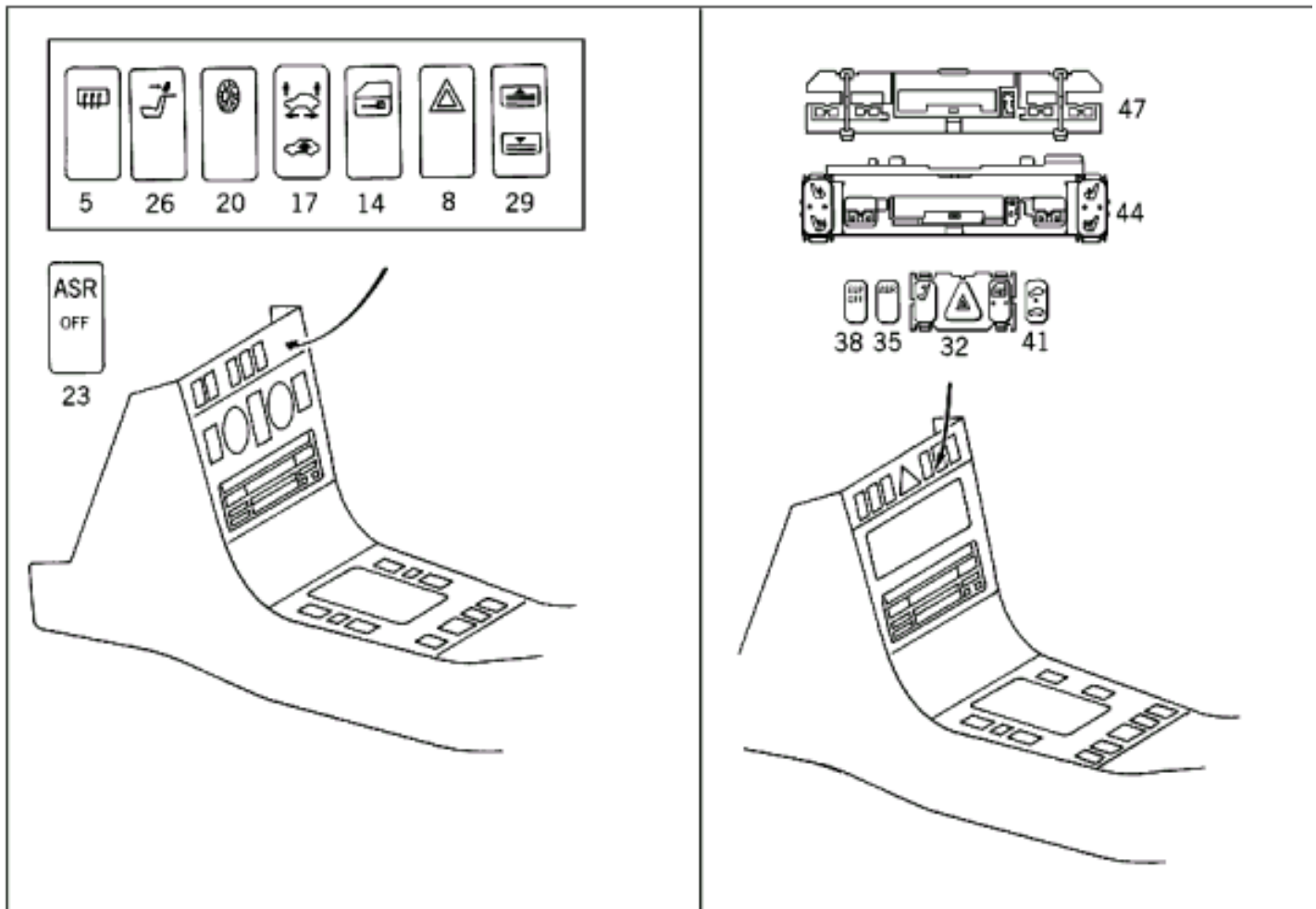
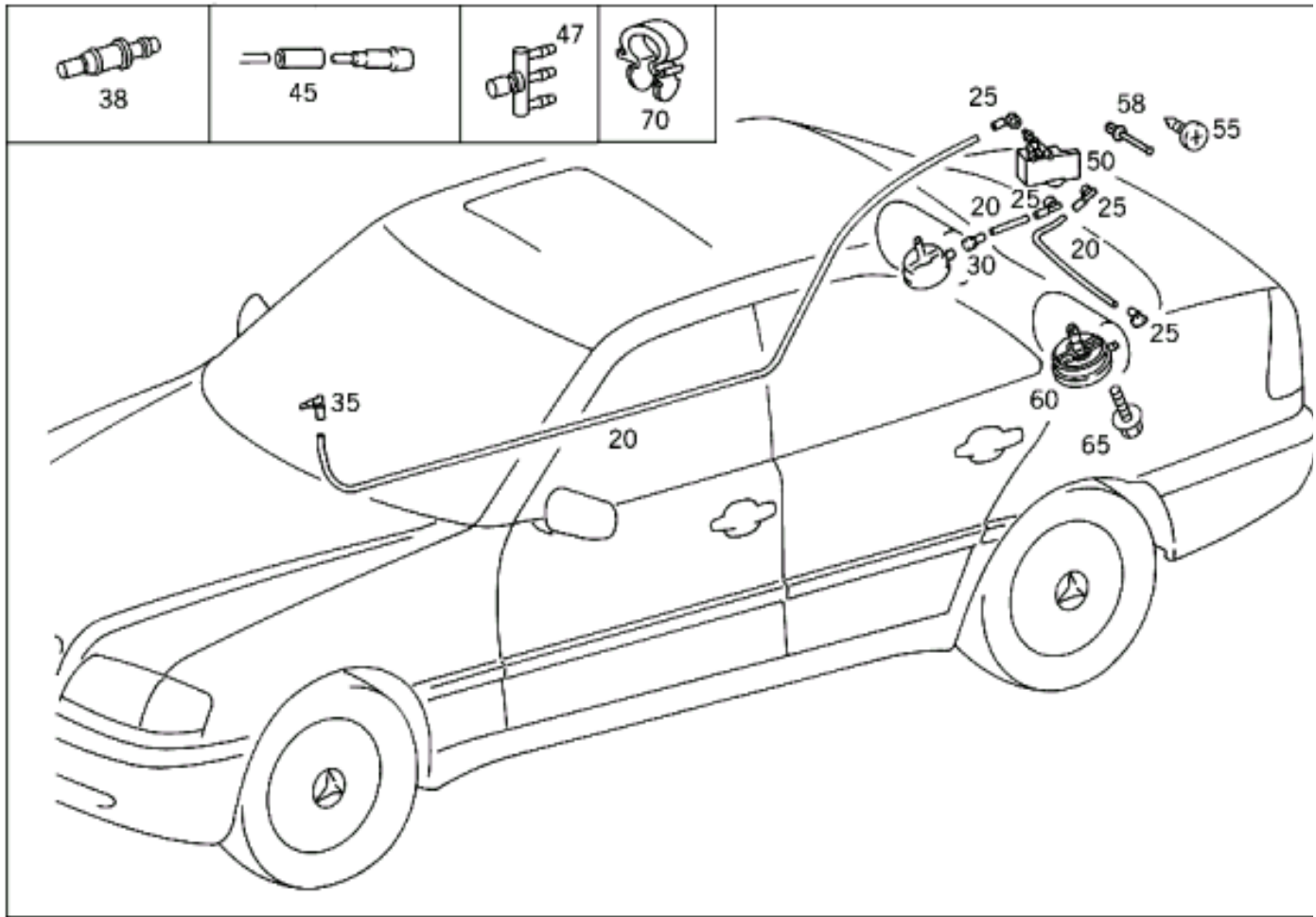
# VACUUM PARTS 2 SELECTION PROGRAMS



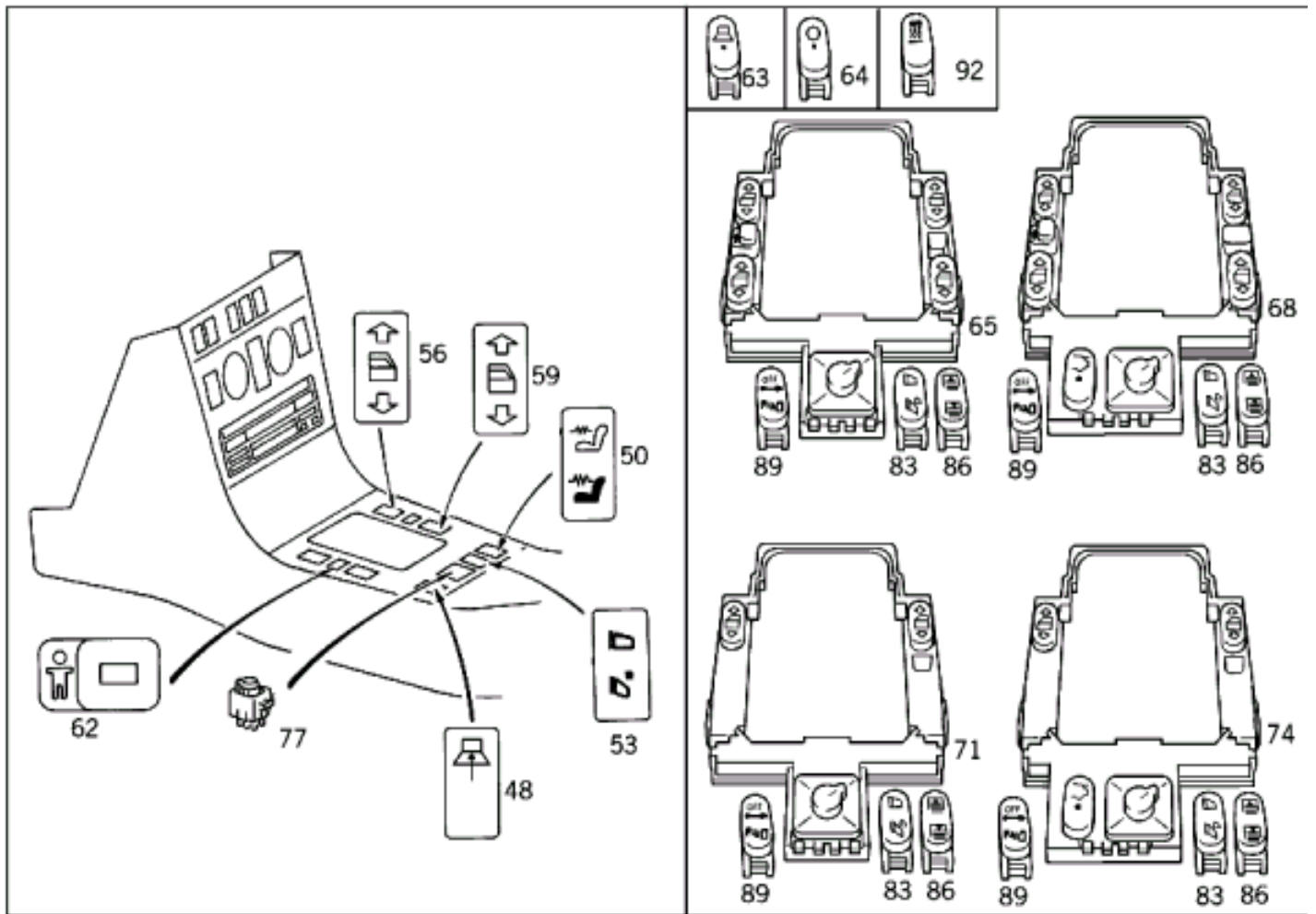
# ORTHOPAEDIC FRONT BACKREST



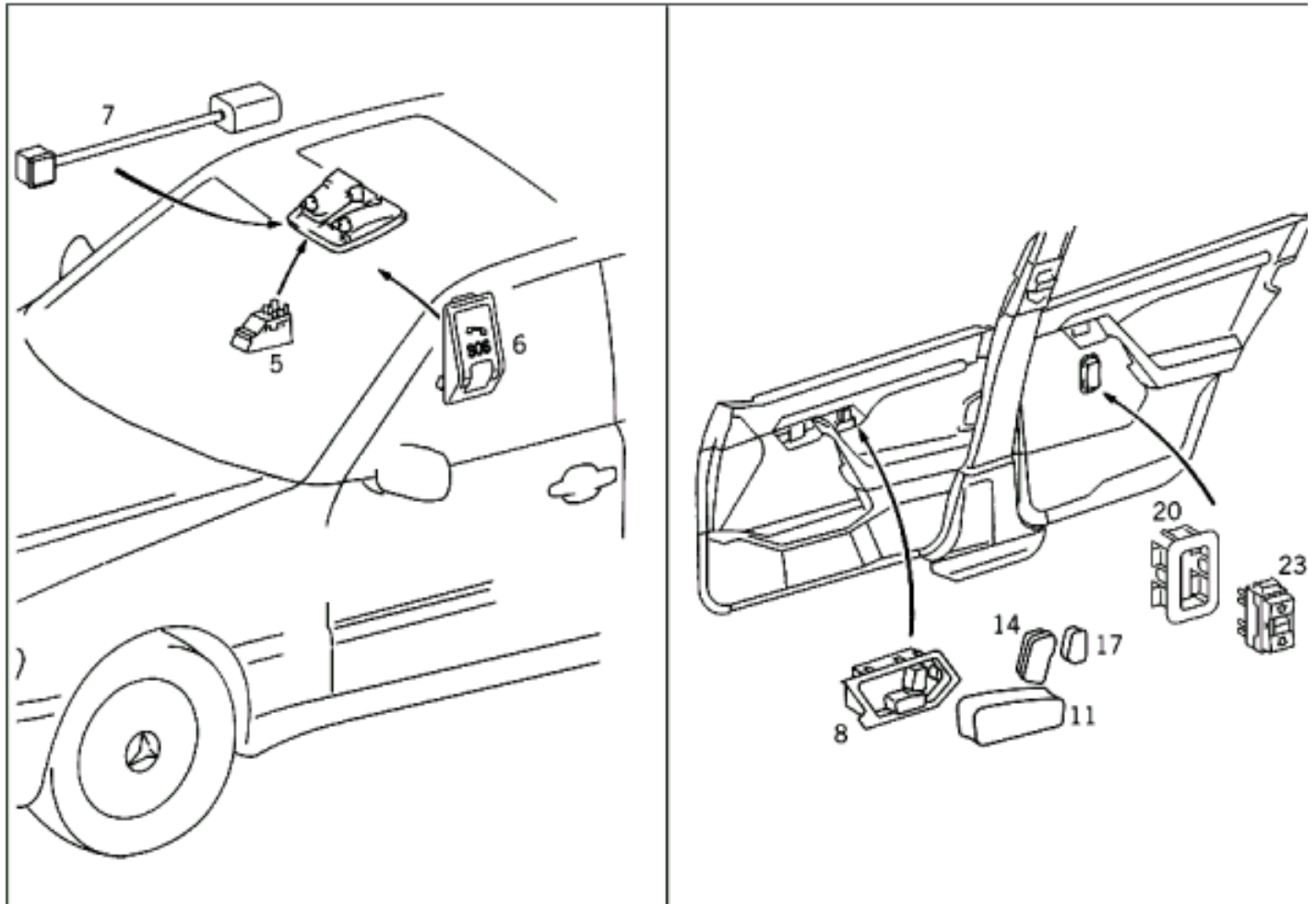
# REAR HEADREST ADJUSTMENT



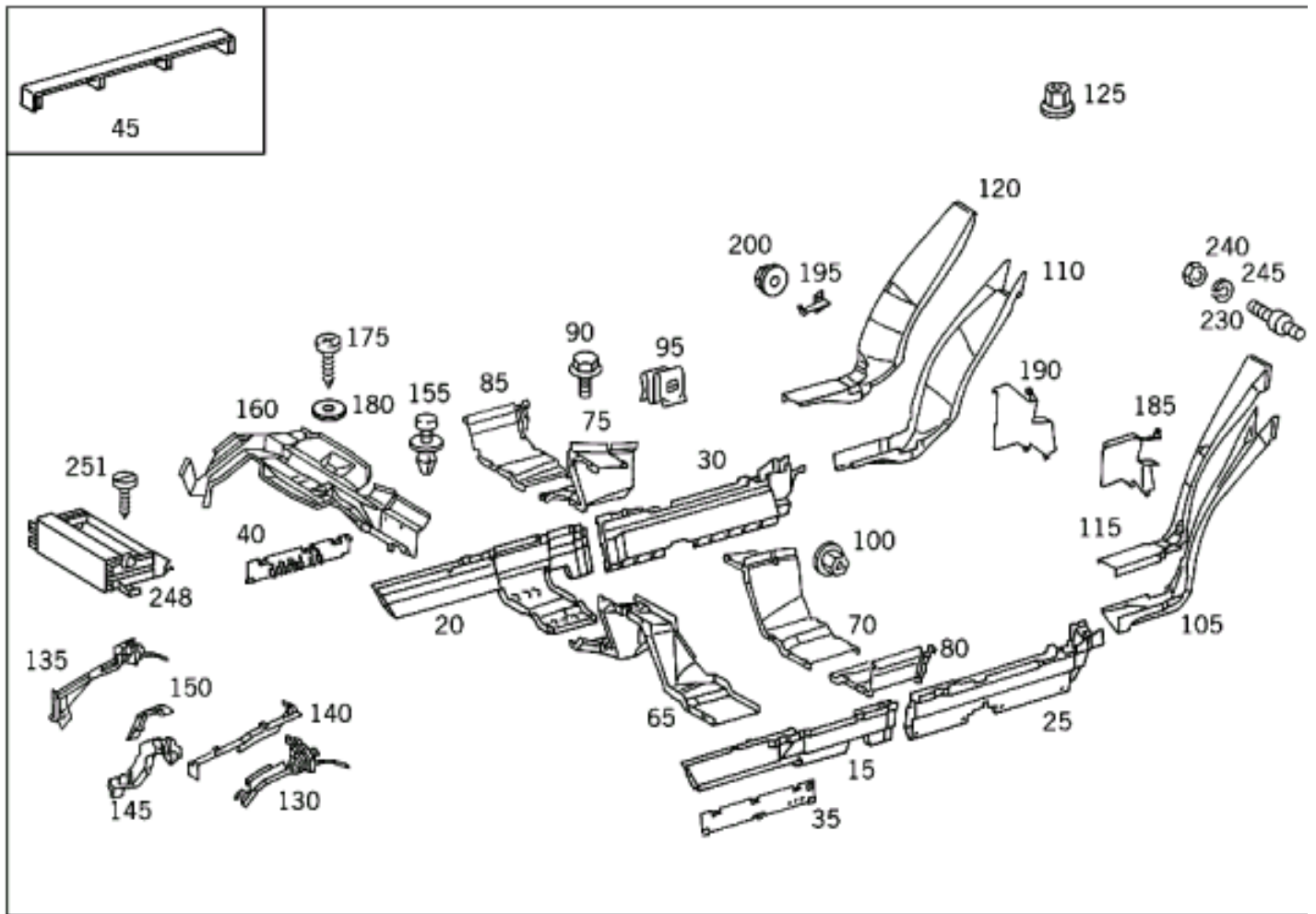
SWITCH IN INSTRUMENT PANEL AND CENTER CONSOLE



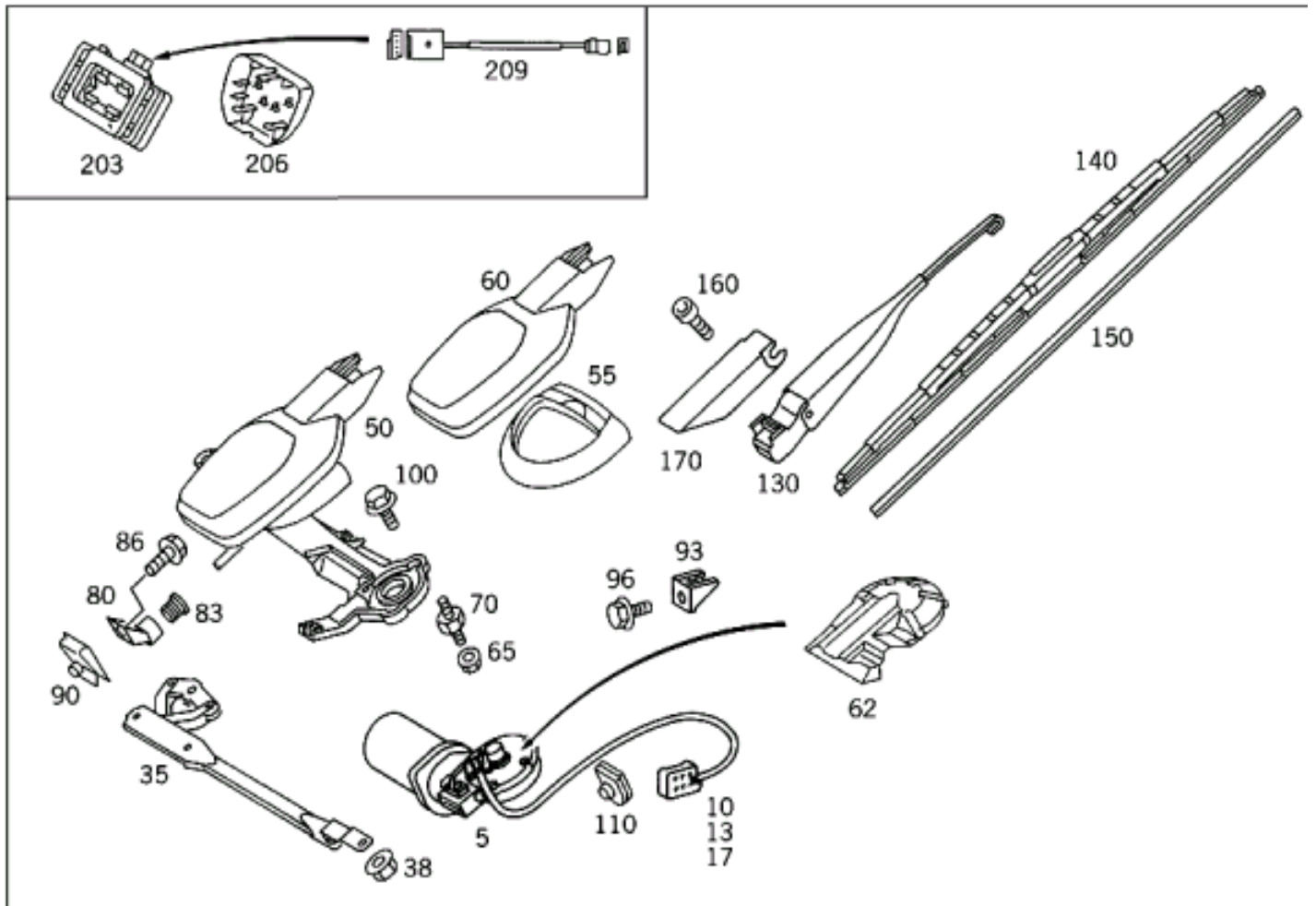
SWITCH IN ROOF CONTROL PANEL AND IN DOOR TRAIN



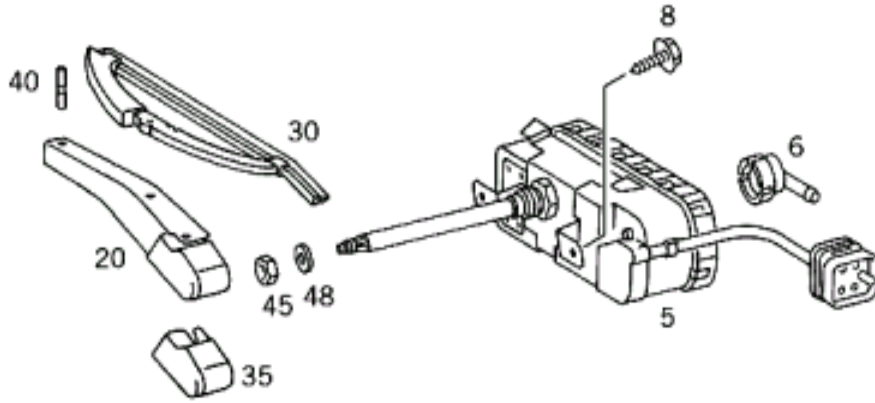
# CABLE COVERING, CABLE DUCTS



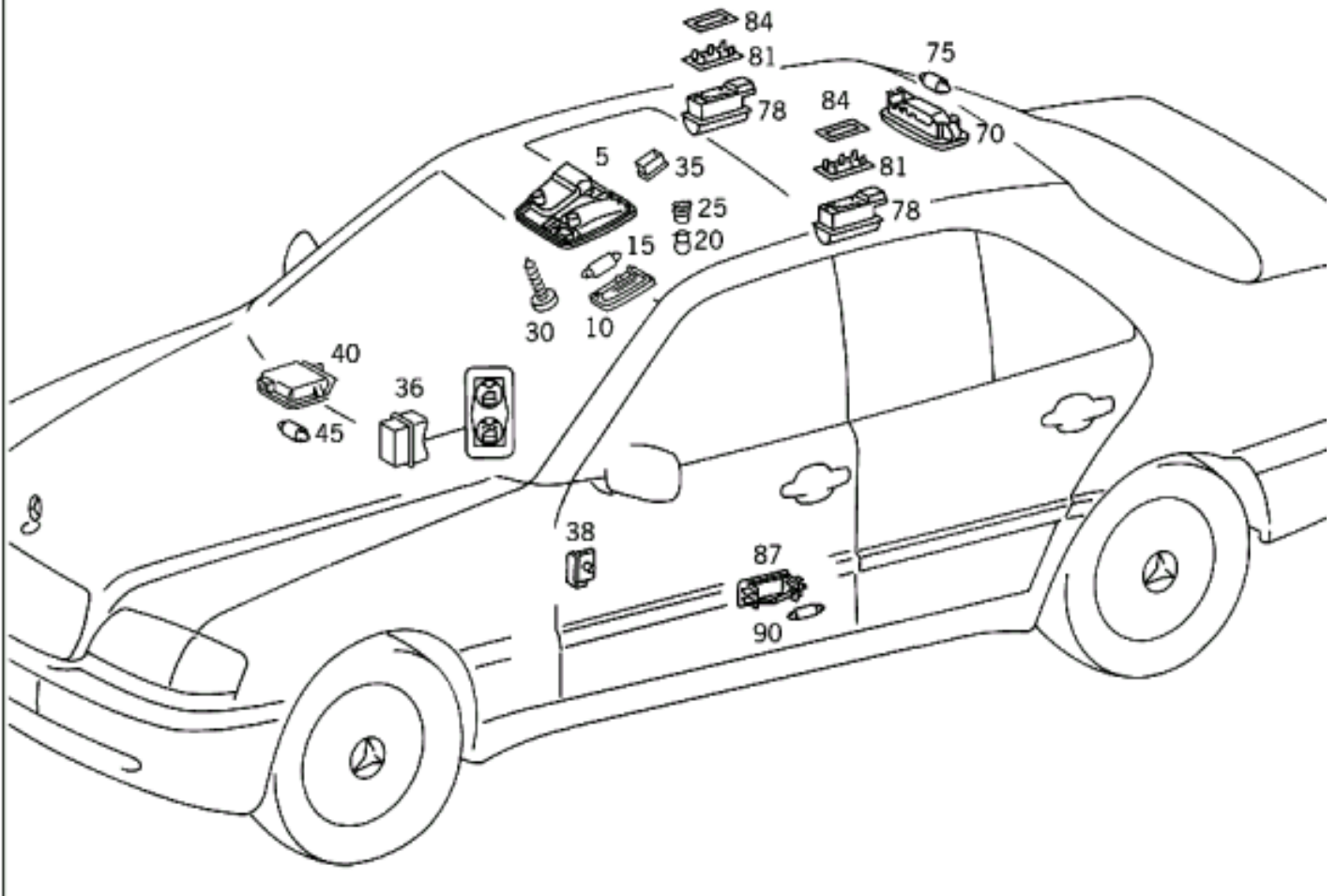
# PANE WIPER



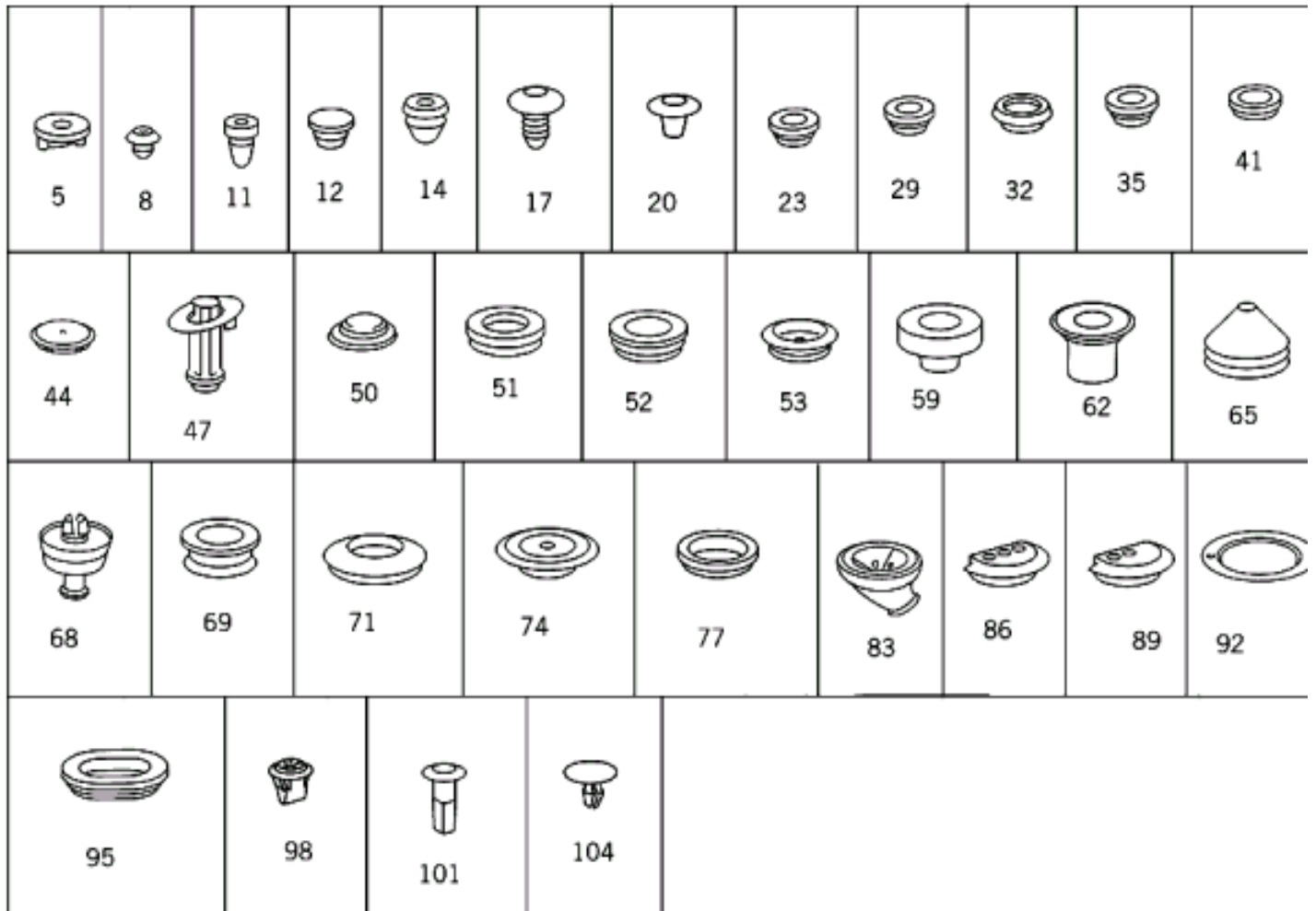
# HEADLAMP VIPER, VASCHER



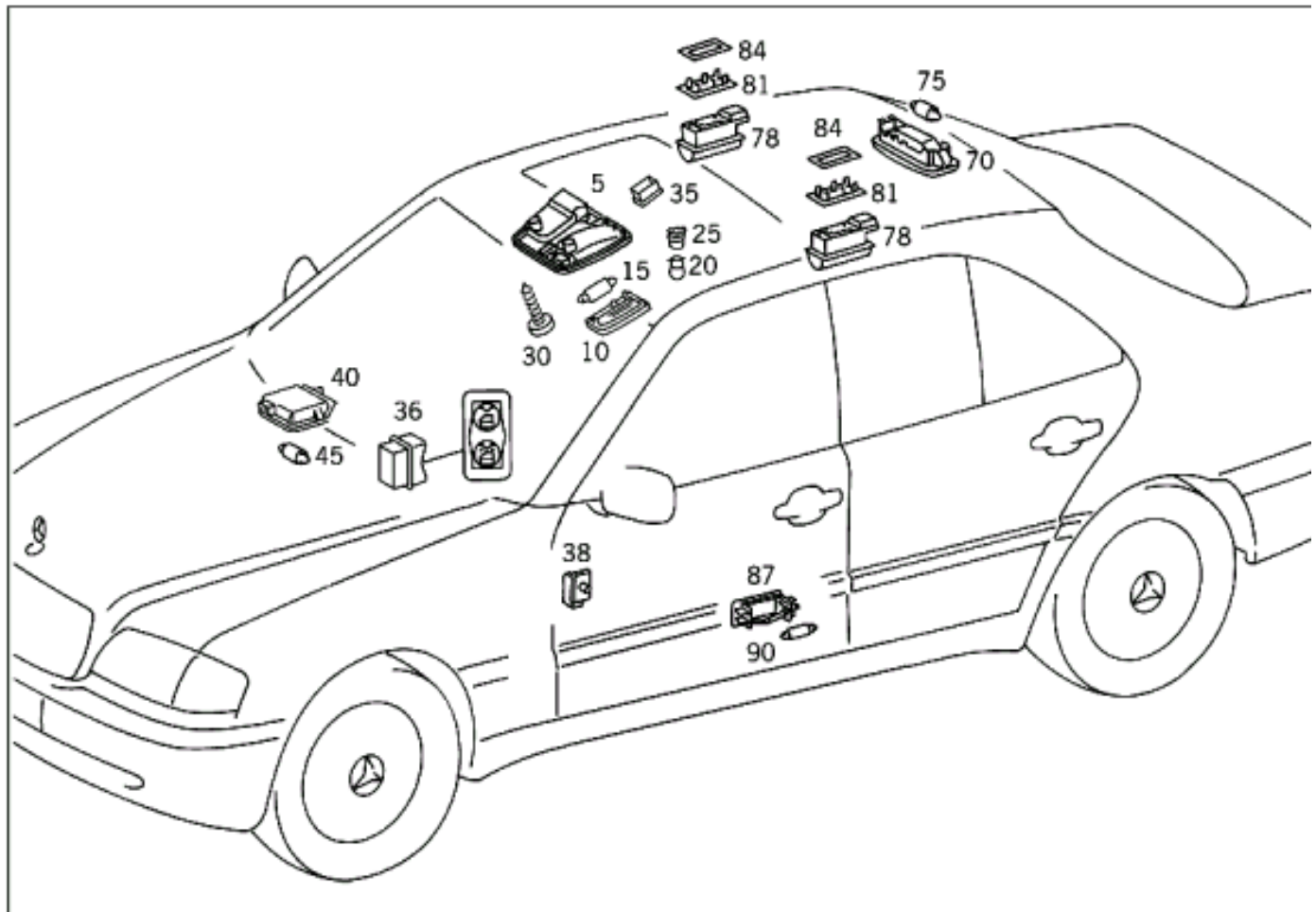
# INTERIOR LAMPS



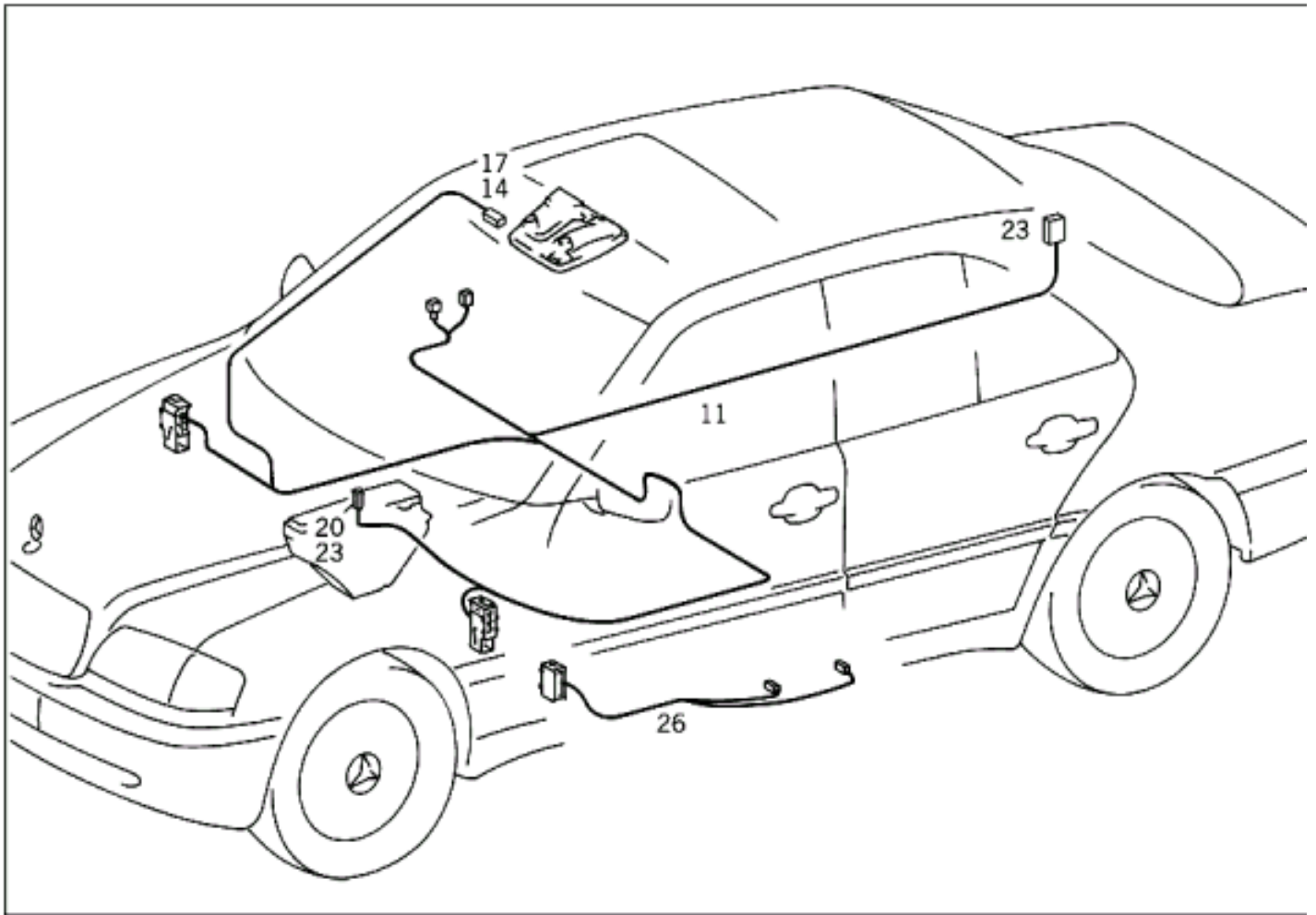
## EXPANSION PLUGS GROMMETS



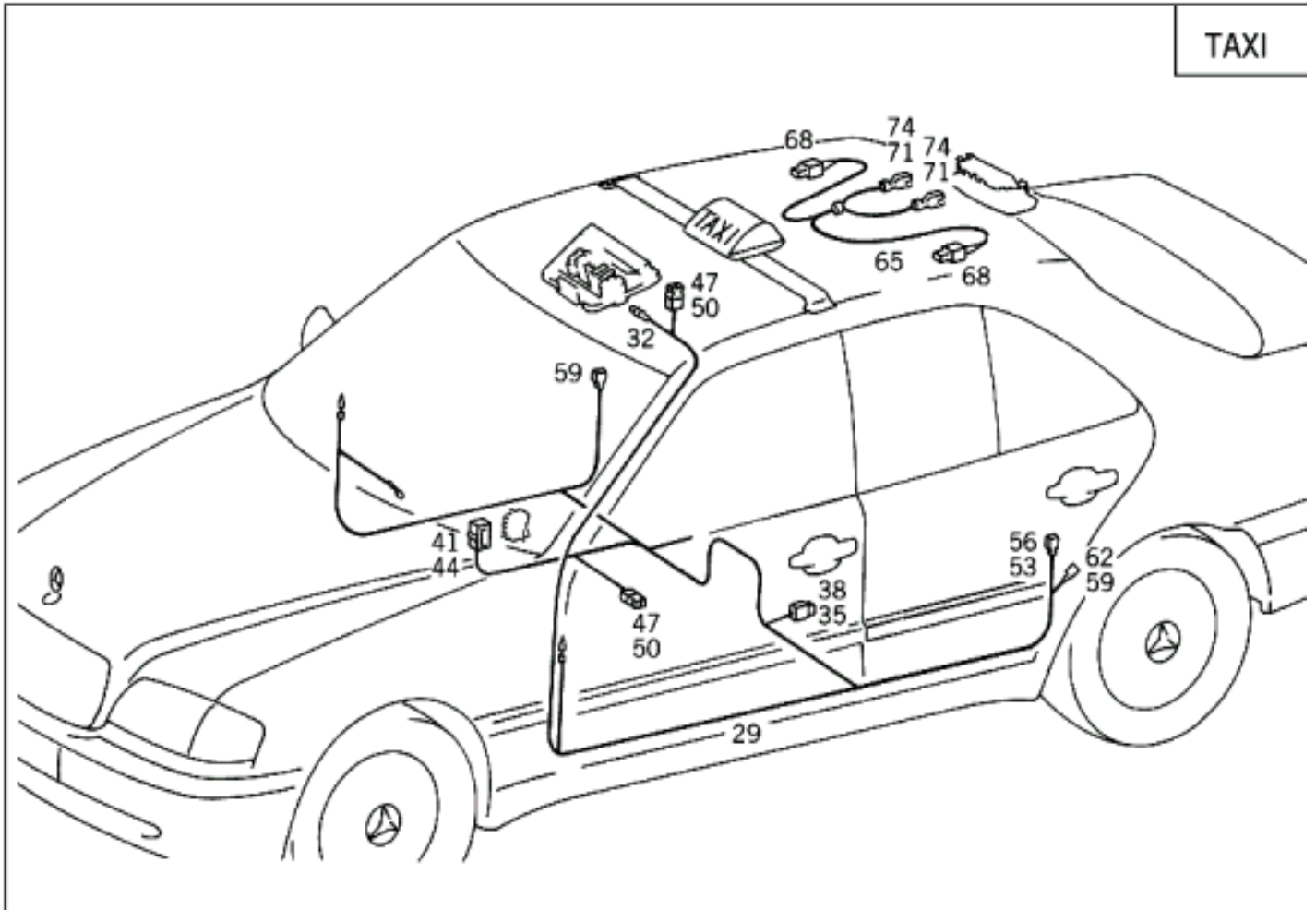
## INTERIOR LAMPS



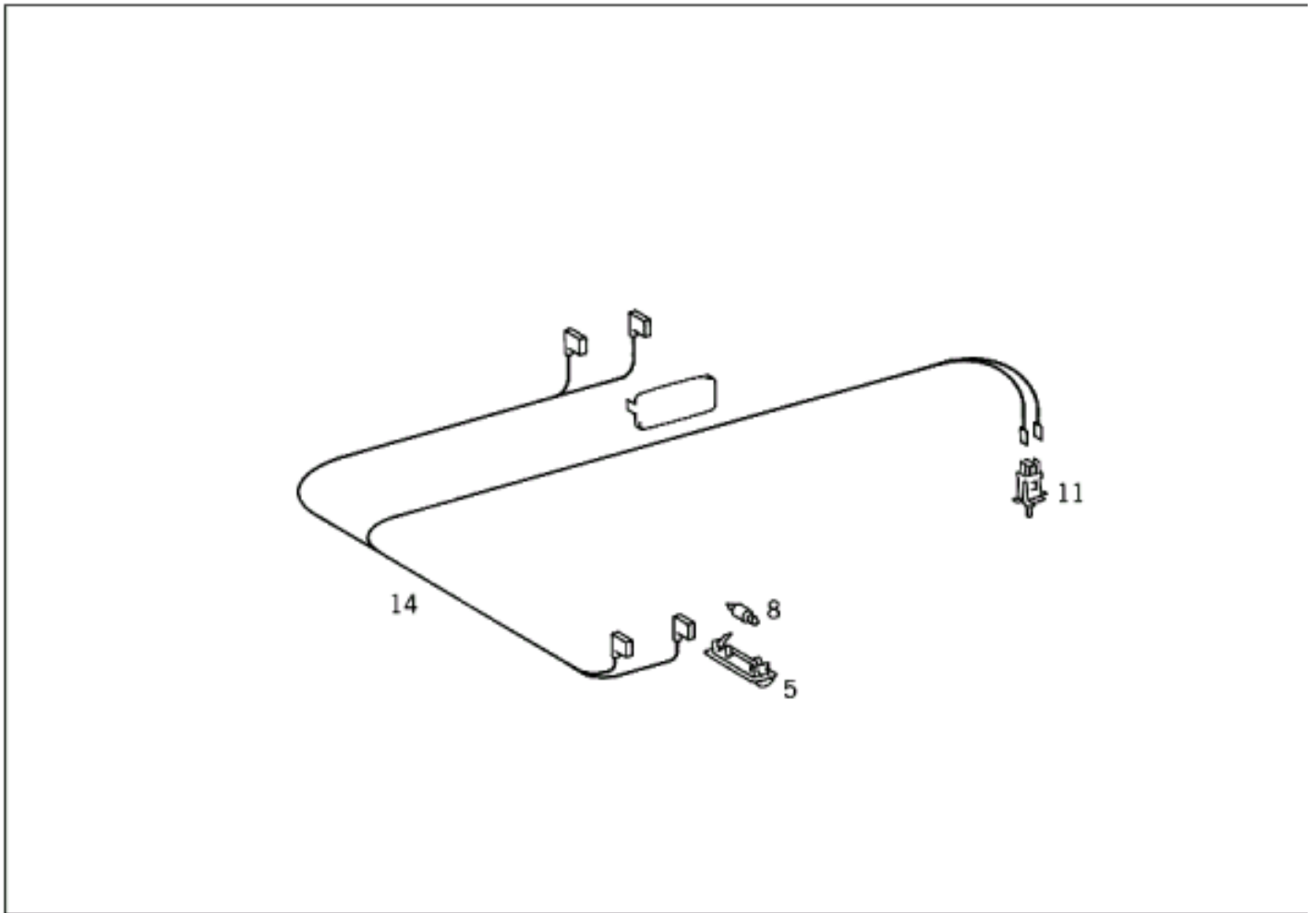
CABLE HARNESS FOR EXIT AND INTERIOR LIGHT



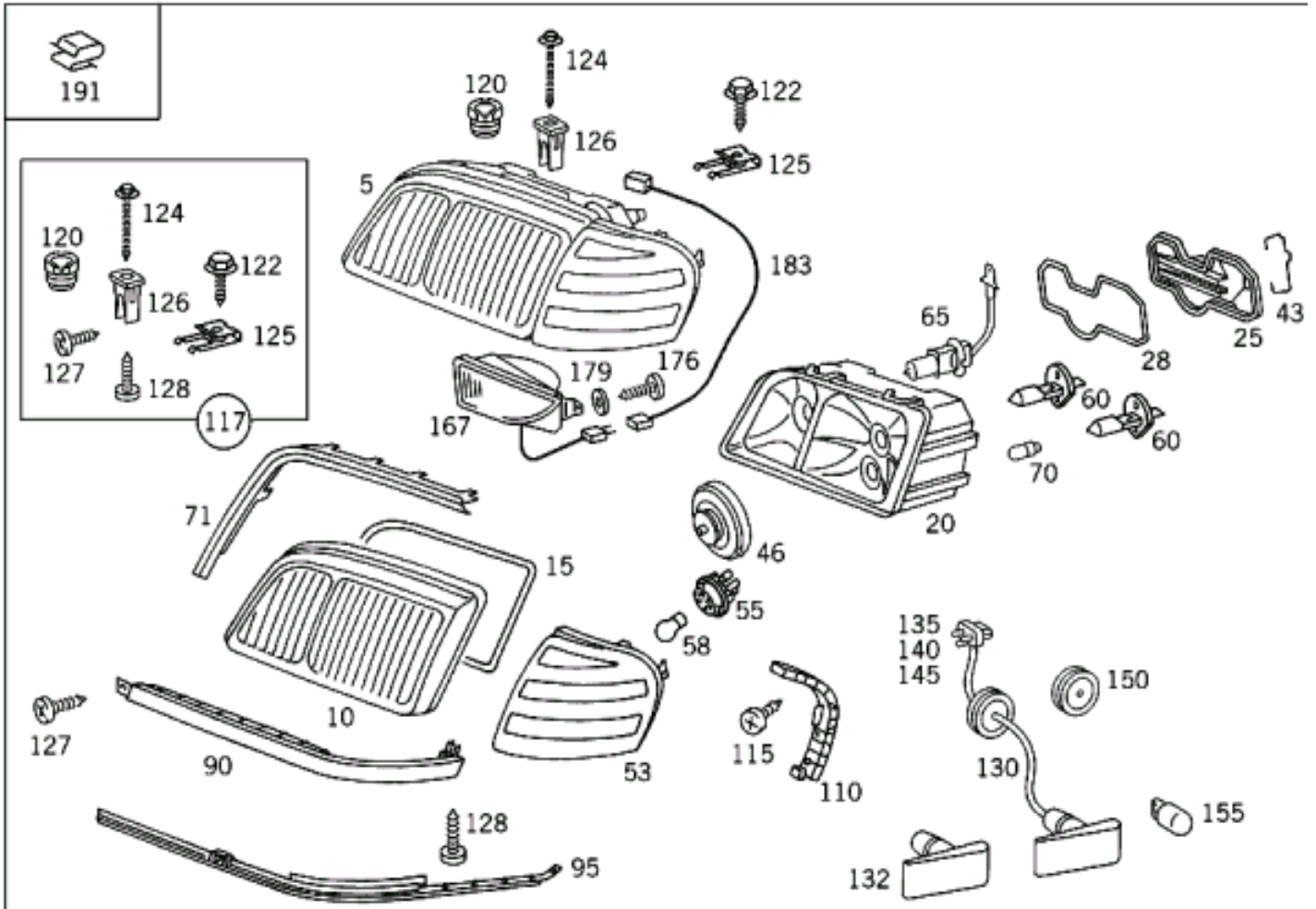
CABLE HARNESS FOR EXIT AND INTERIOR LIGHT



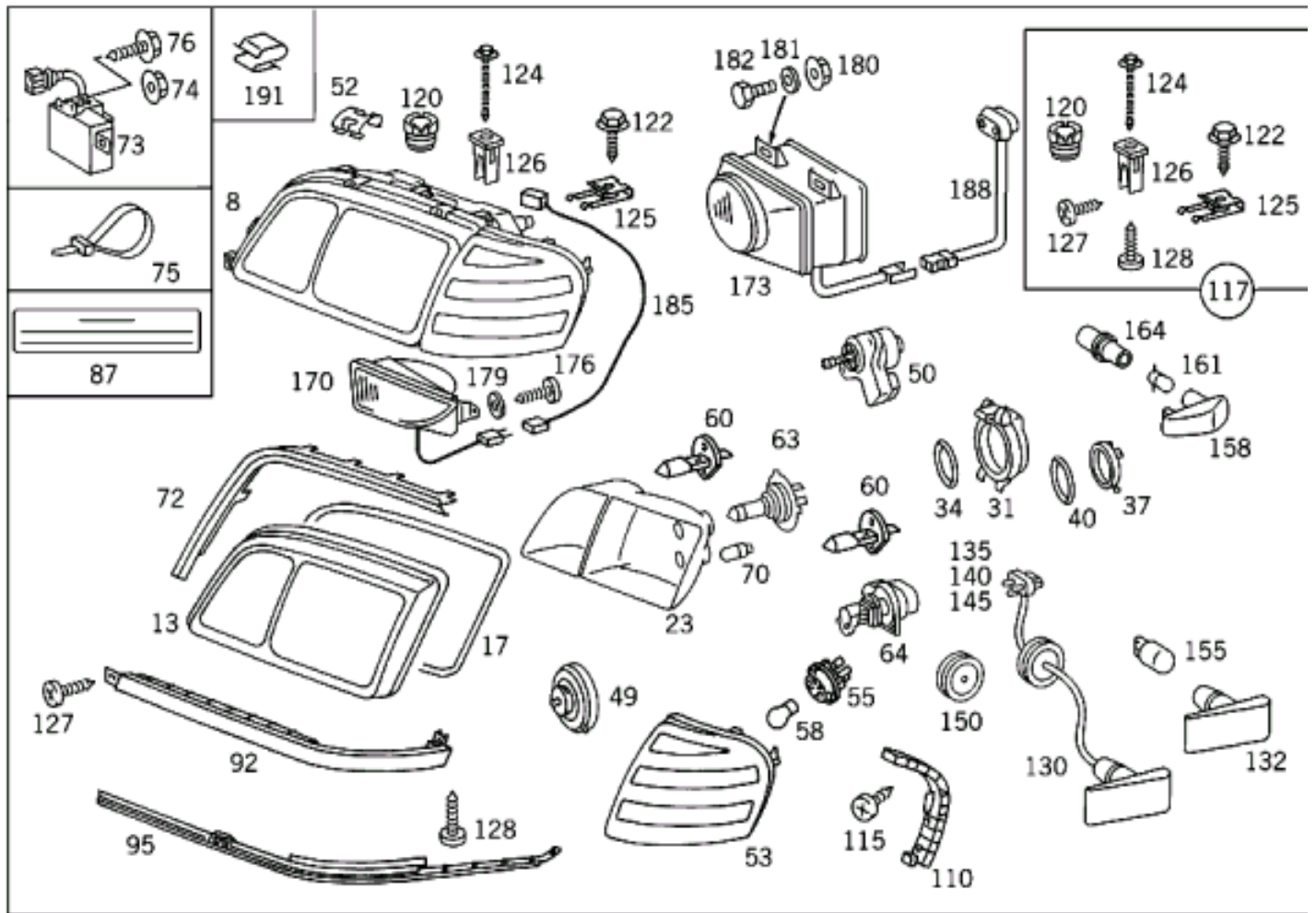
# LUGGAGE COMPARTMENT LAMP



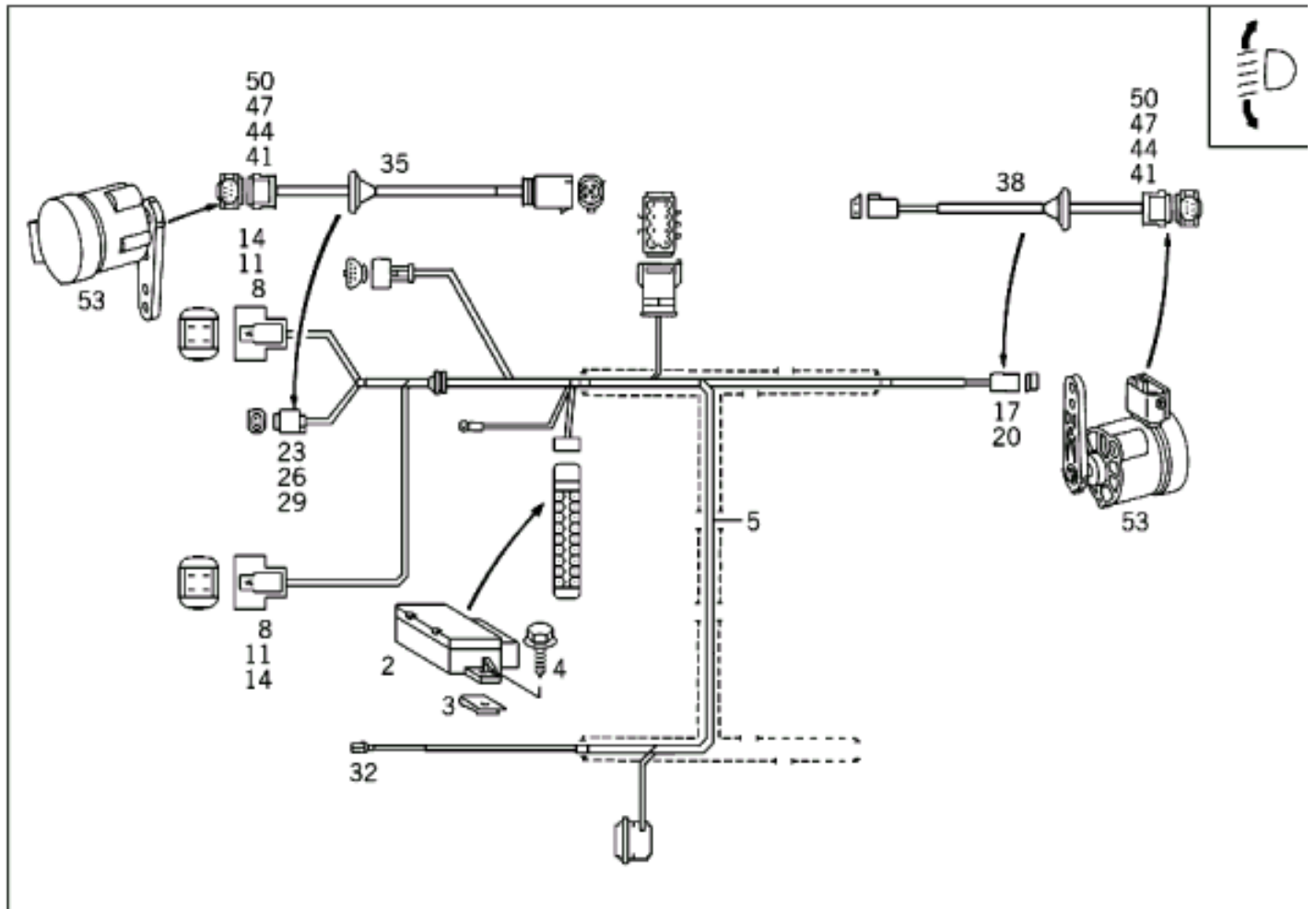
# LIGHTING UNIT



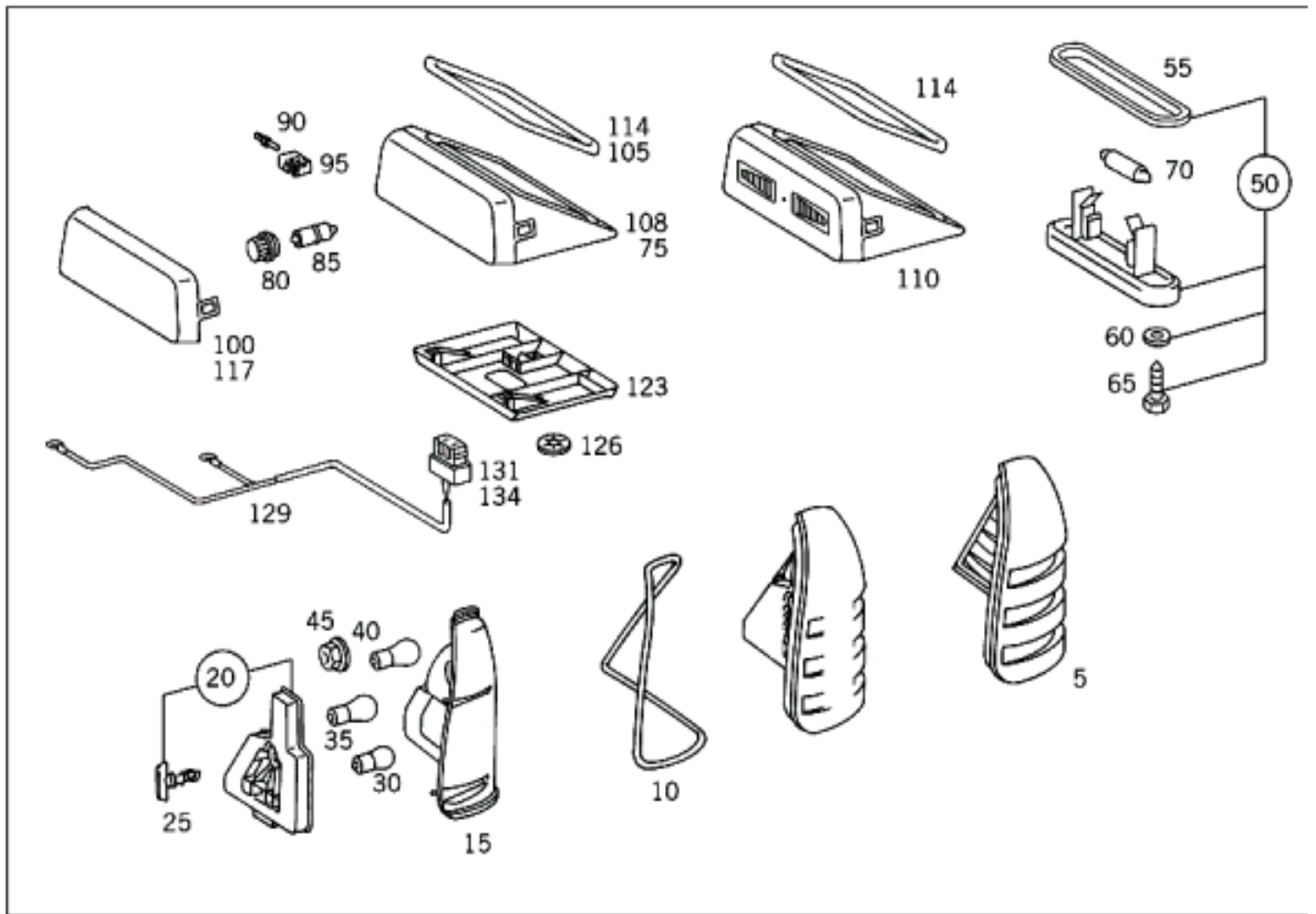
# LIGHTING UNIT



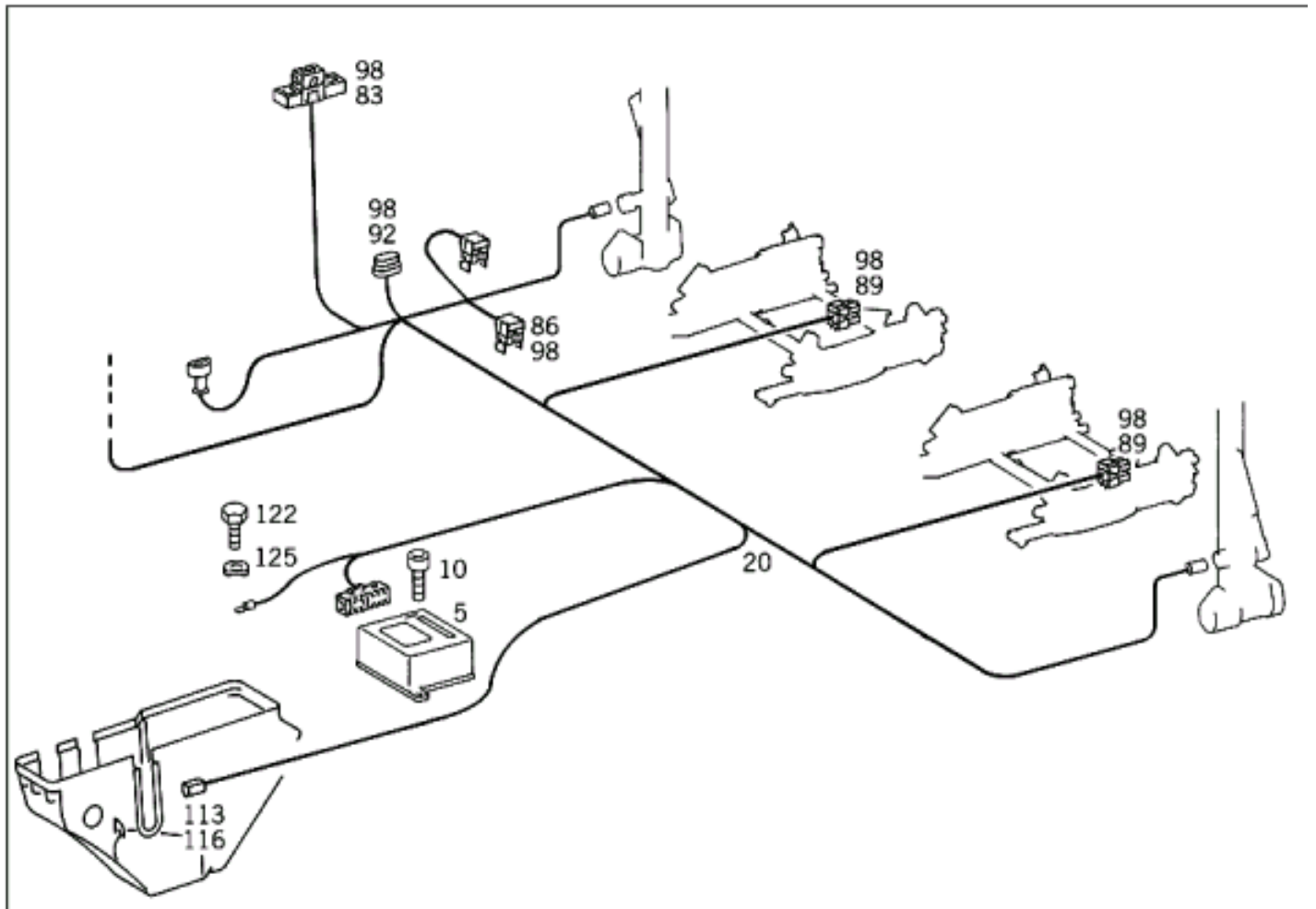
# LIGHT RANGE ADJUSTER ELECTRIC



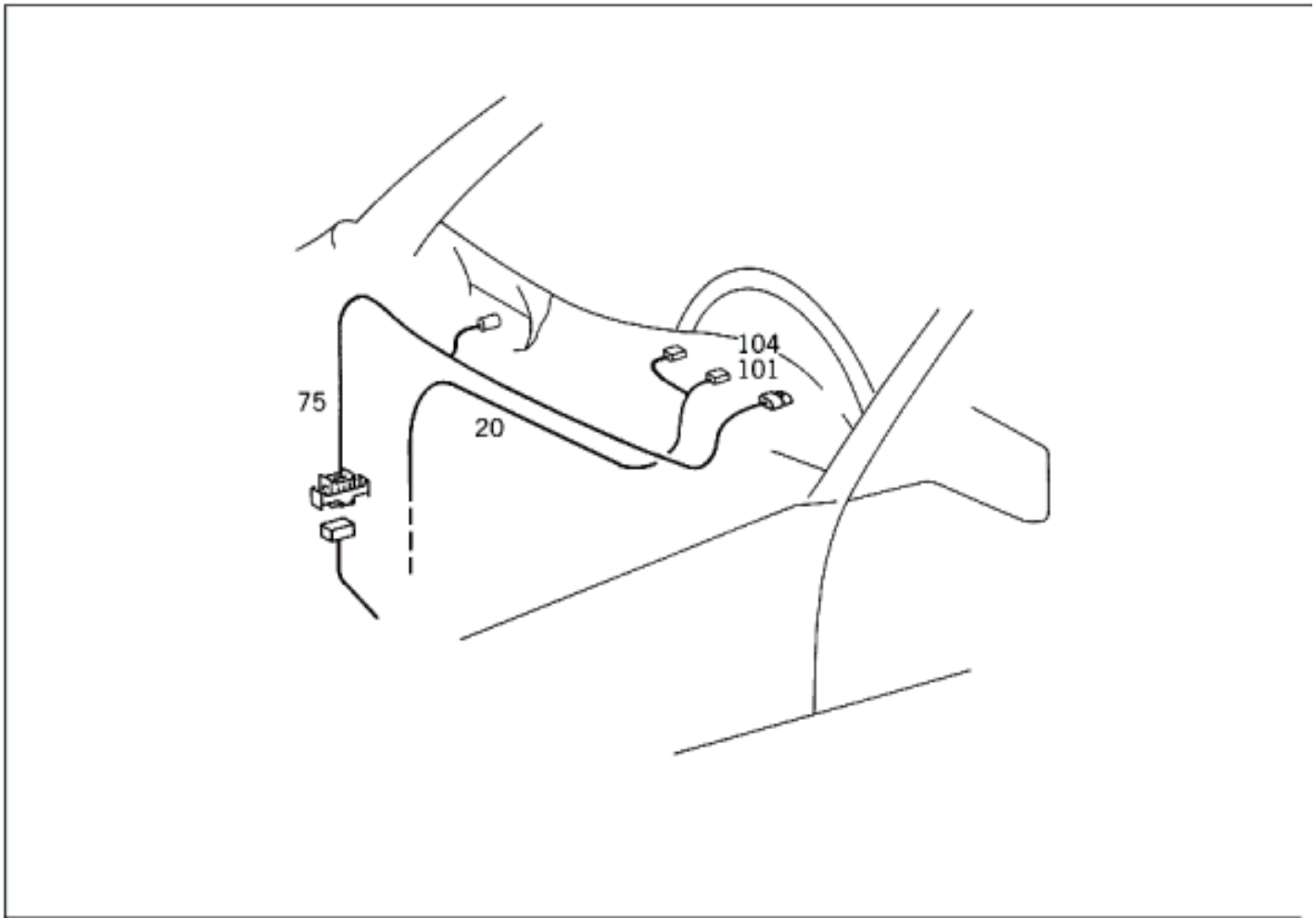
# REAR LAMPS, ADDITIONAL STOP LIGHT AND LICENSE PLATE LAMP



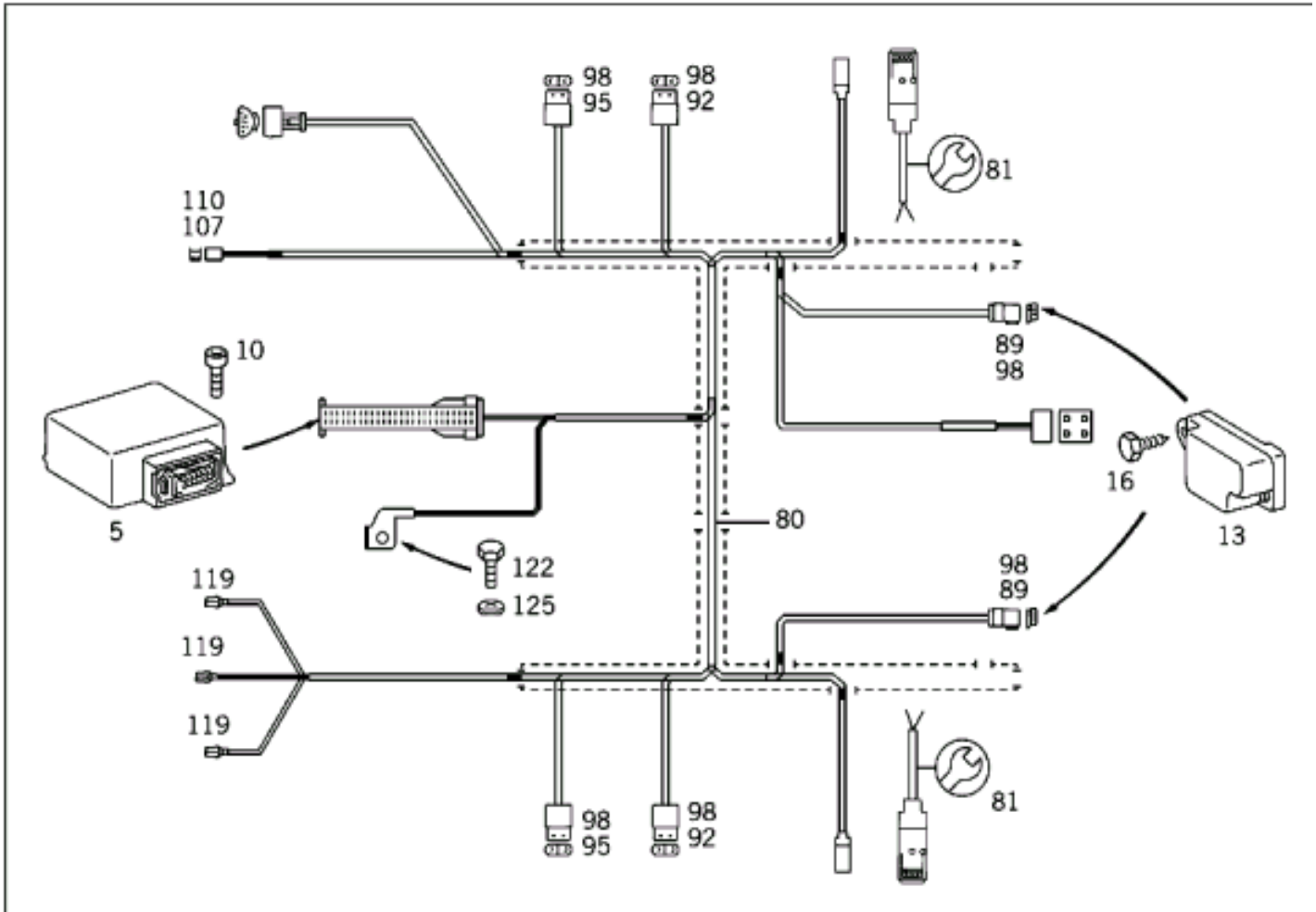
# BELT LOCKING RETRACTOR, AIRBAG SIDEBAG



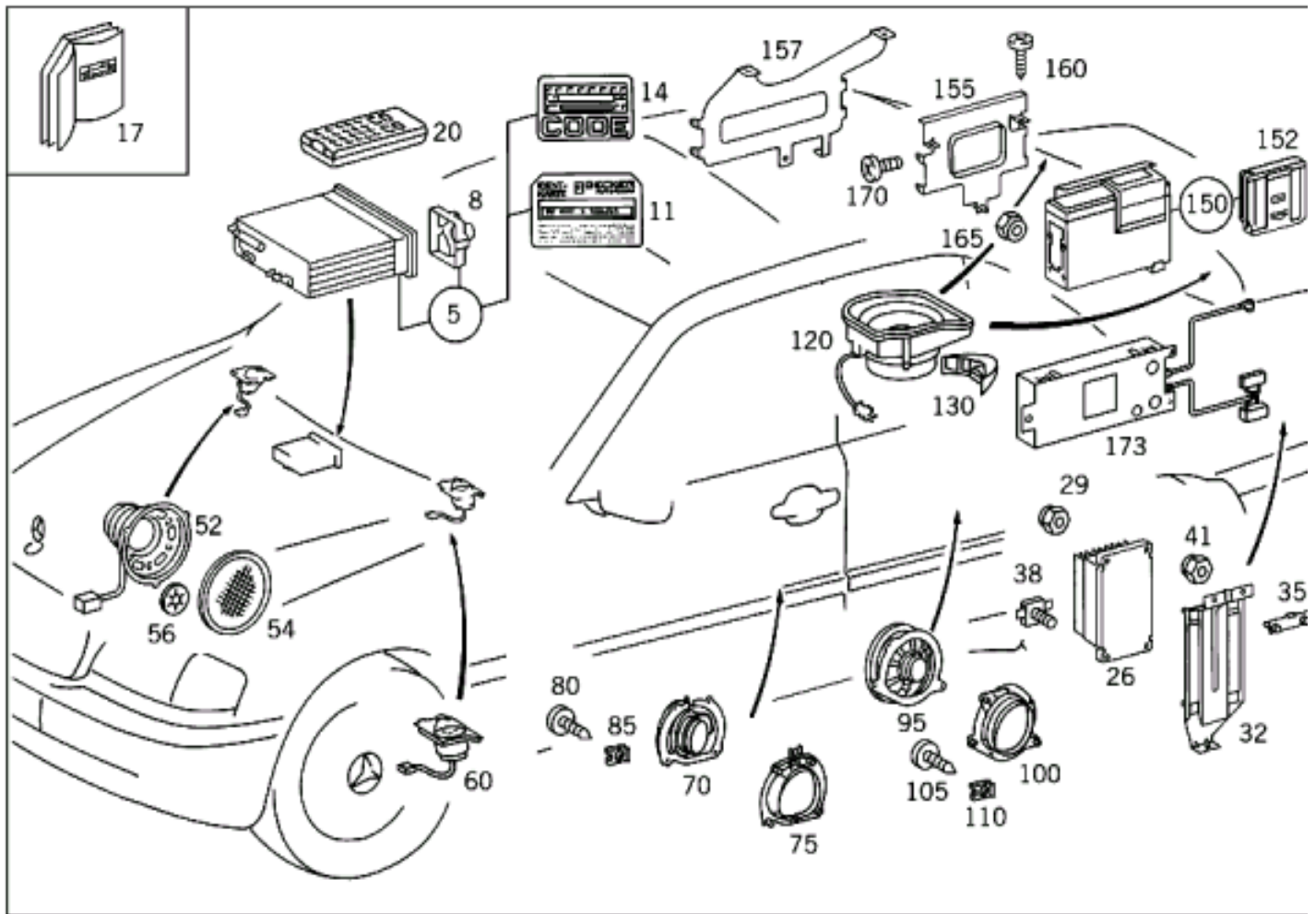
# BELT LOCKING RETRACTOR, AIRBAG AND SIDEBAG



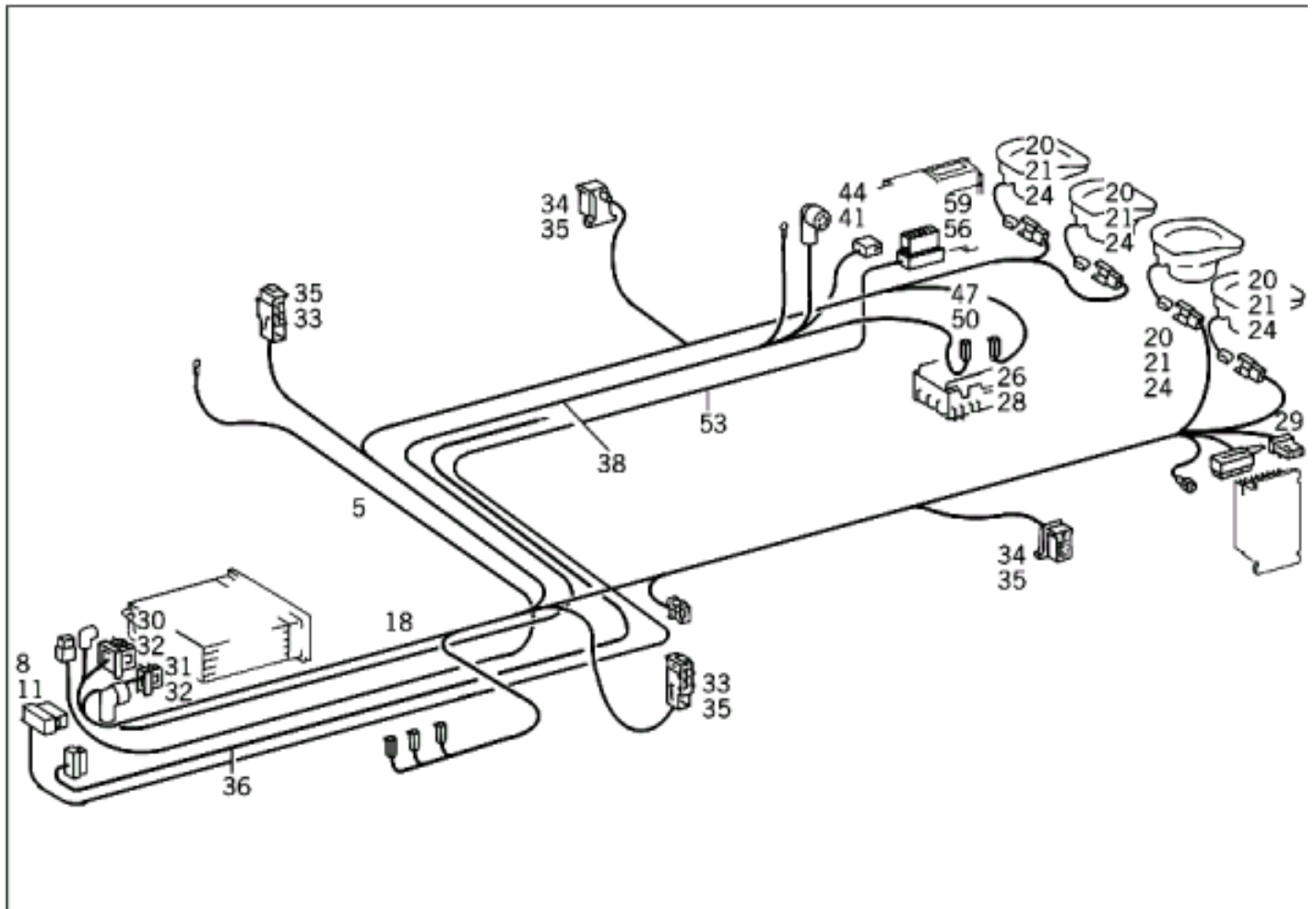
# BELT LOCKING RETRACTOR, AIRBAG AND SIDEBAG



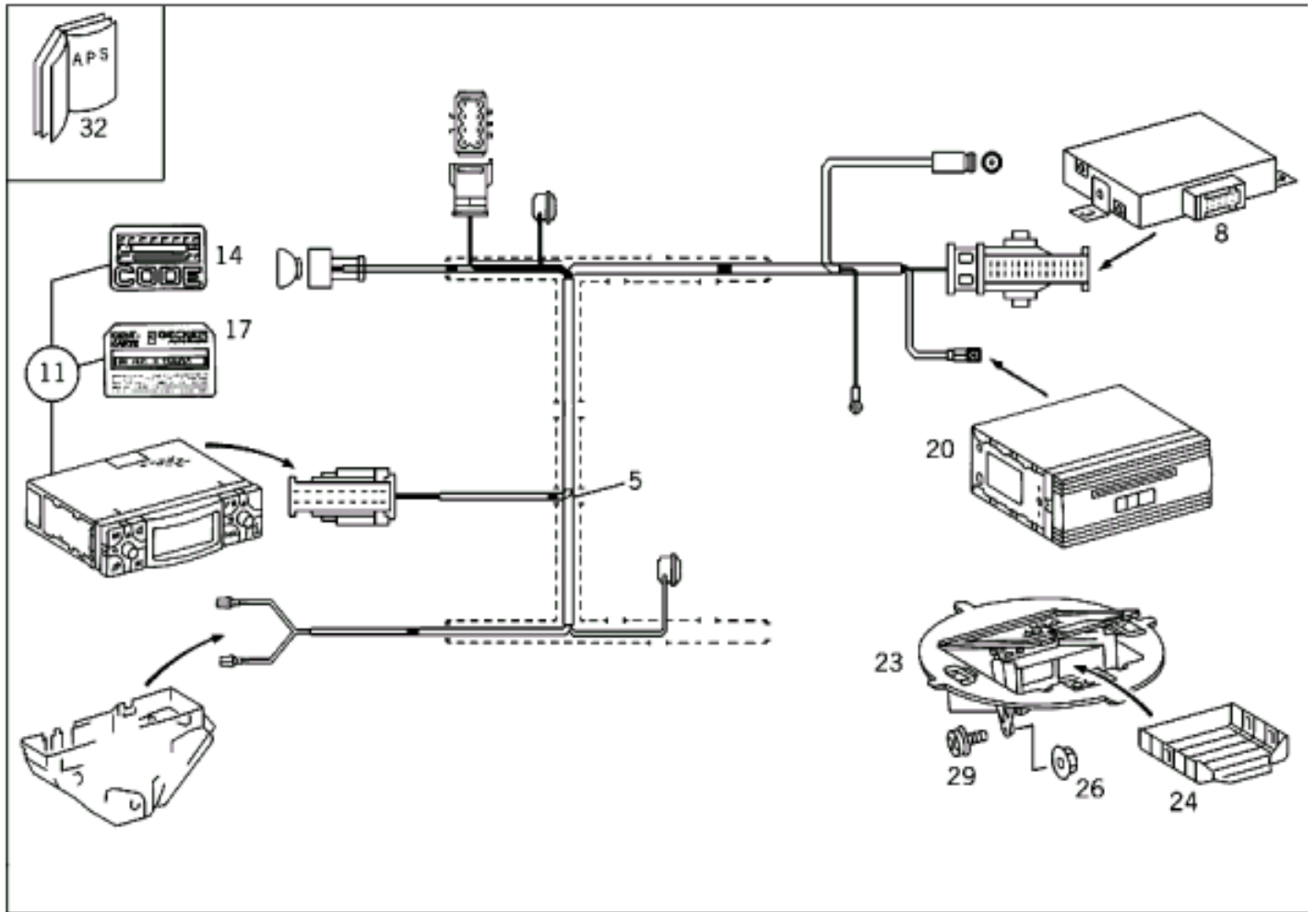
# RADIO SET, REMOTE CONTROL, AMPLIFIER, LOUDSPEAKER AND CD PLAYER



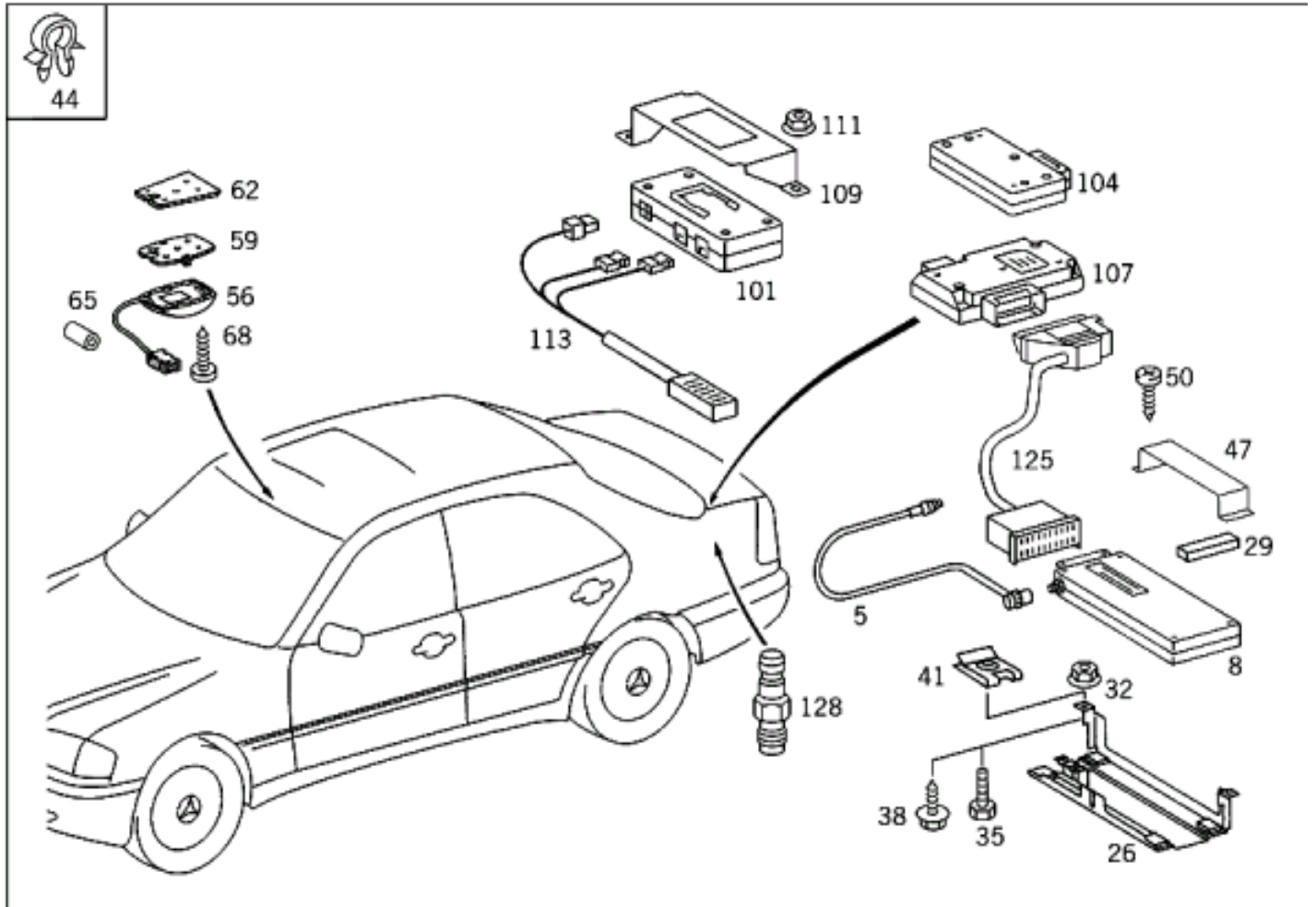
# CABLE HARNESS FOR RADIO, LOUDSPEAKER AND CD PLAYER



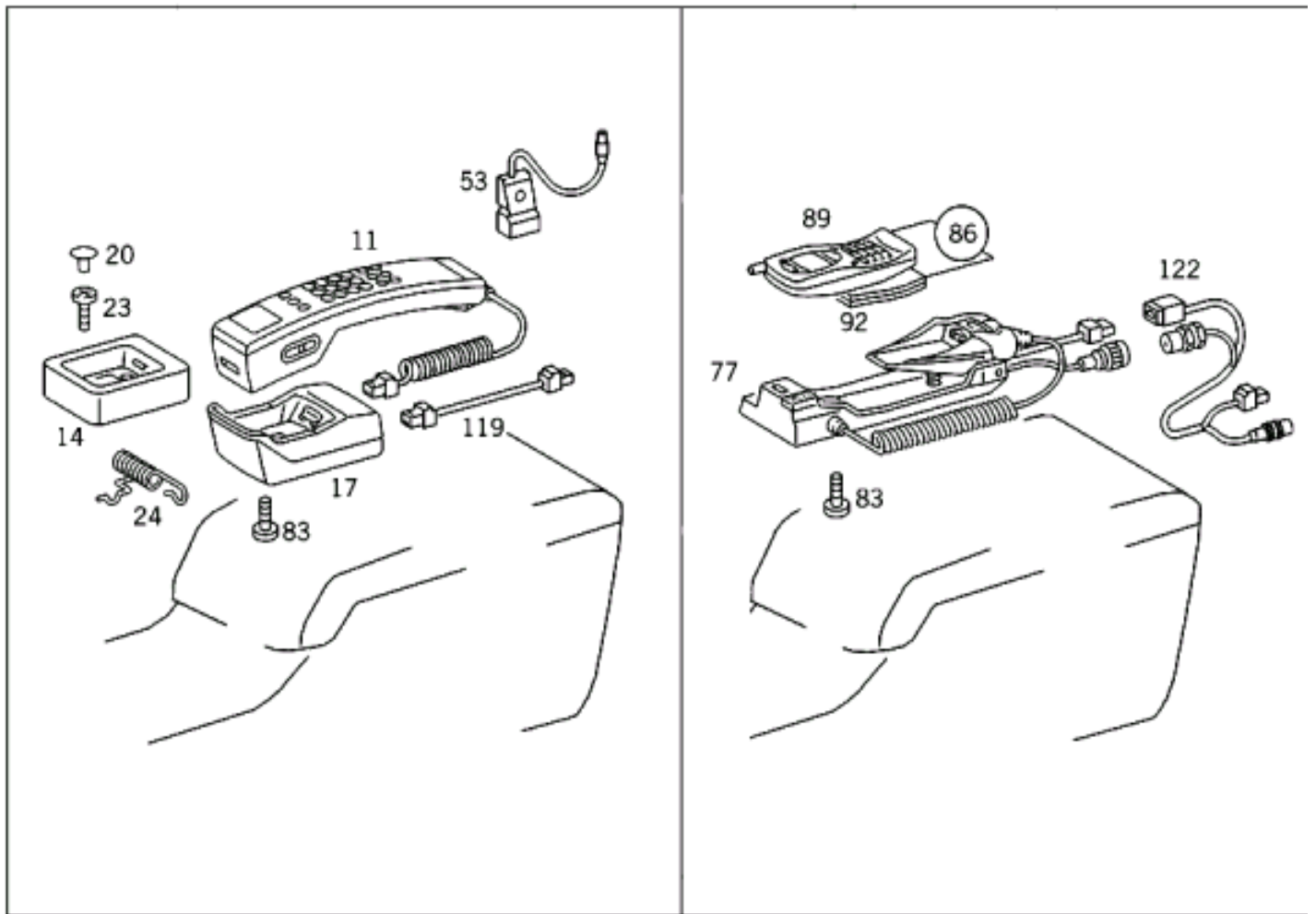
# AUTO PILOT SYSTEM (APS)



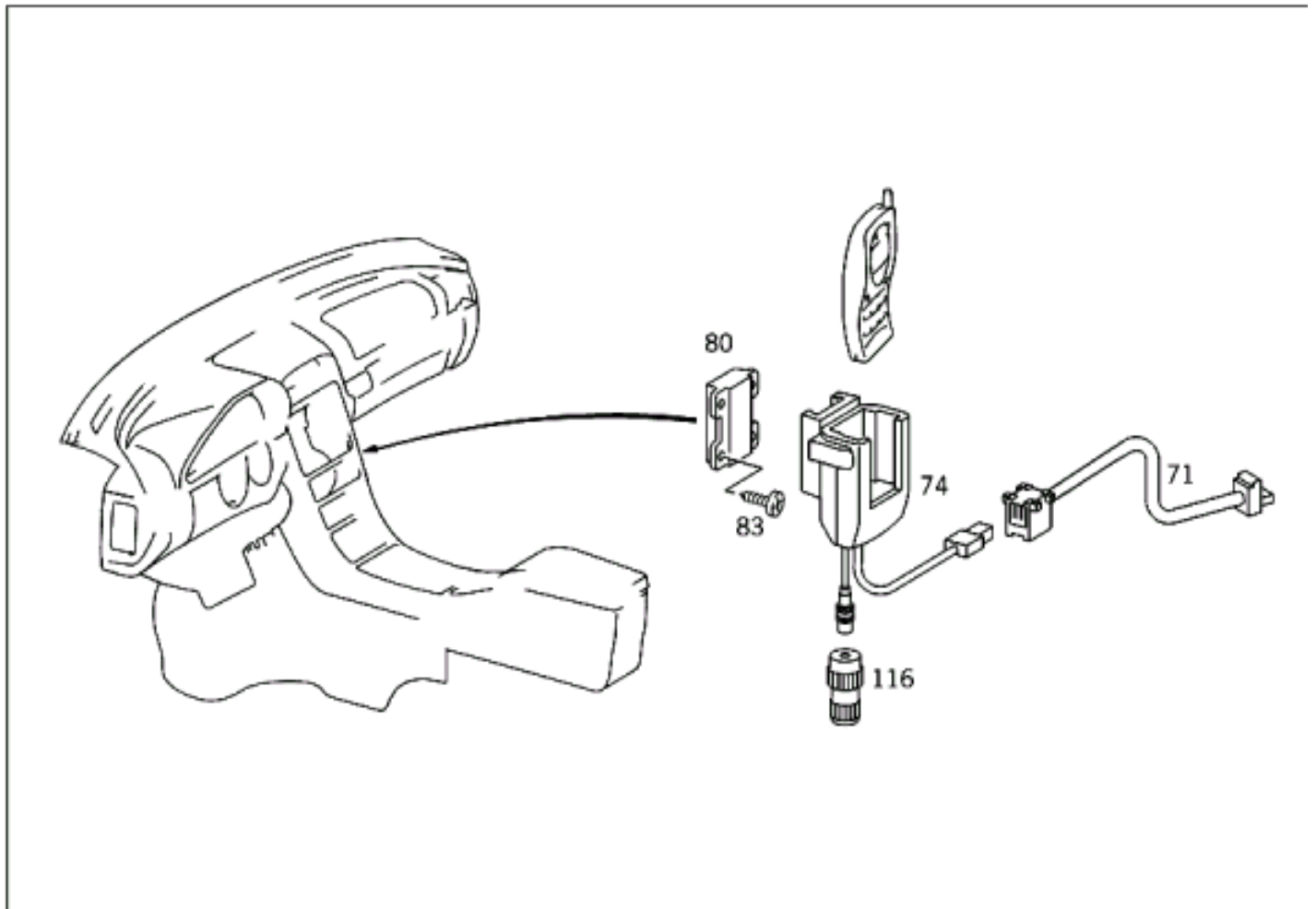
# CAR PHONE, EMERGENCY CALL AND VOICE CONTROL SYSTEM



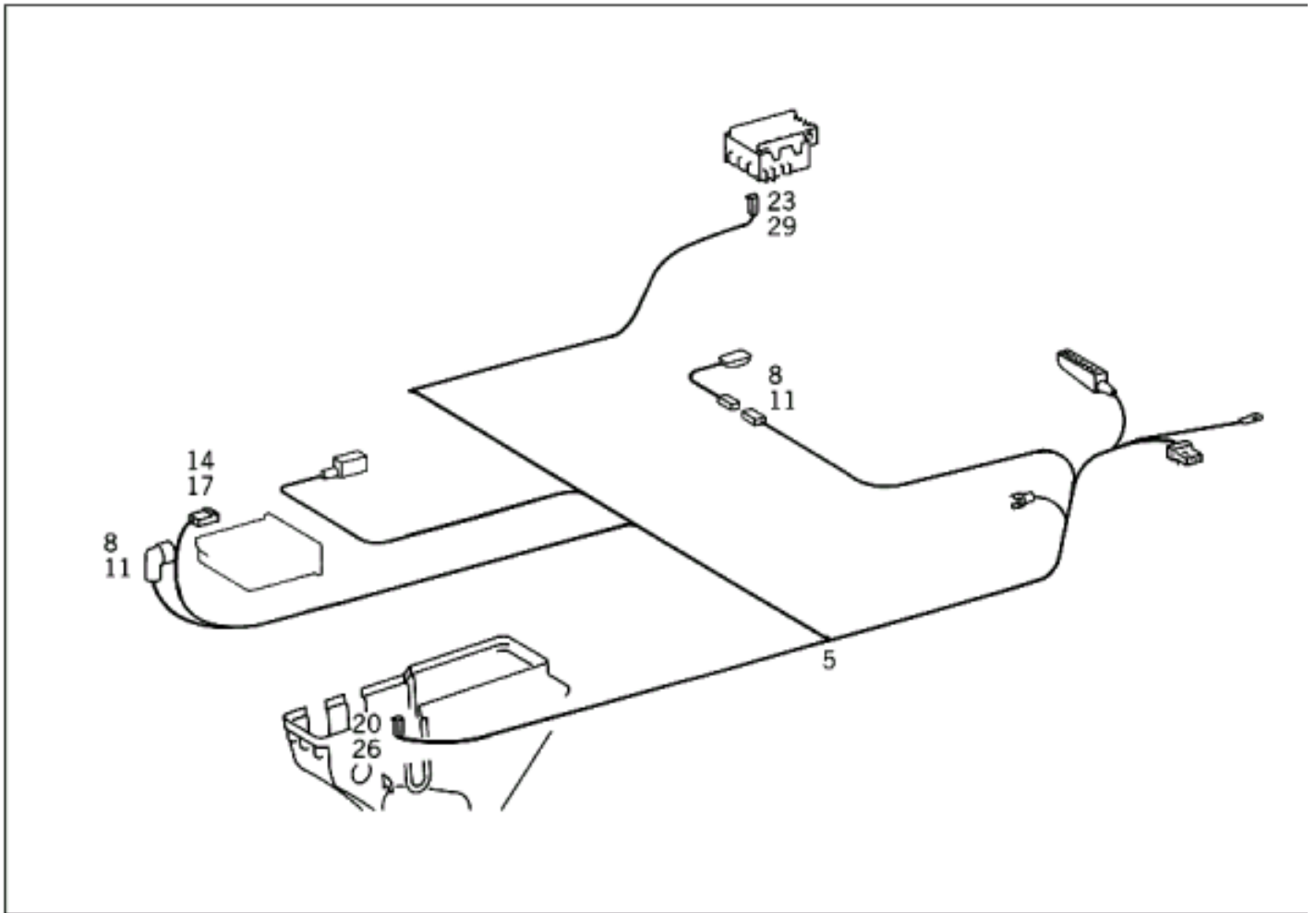
CAR PHONE, EMERGENCY CALL AND VOICE CONTROL SYSTEM



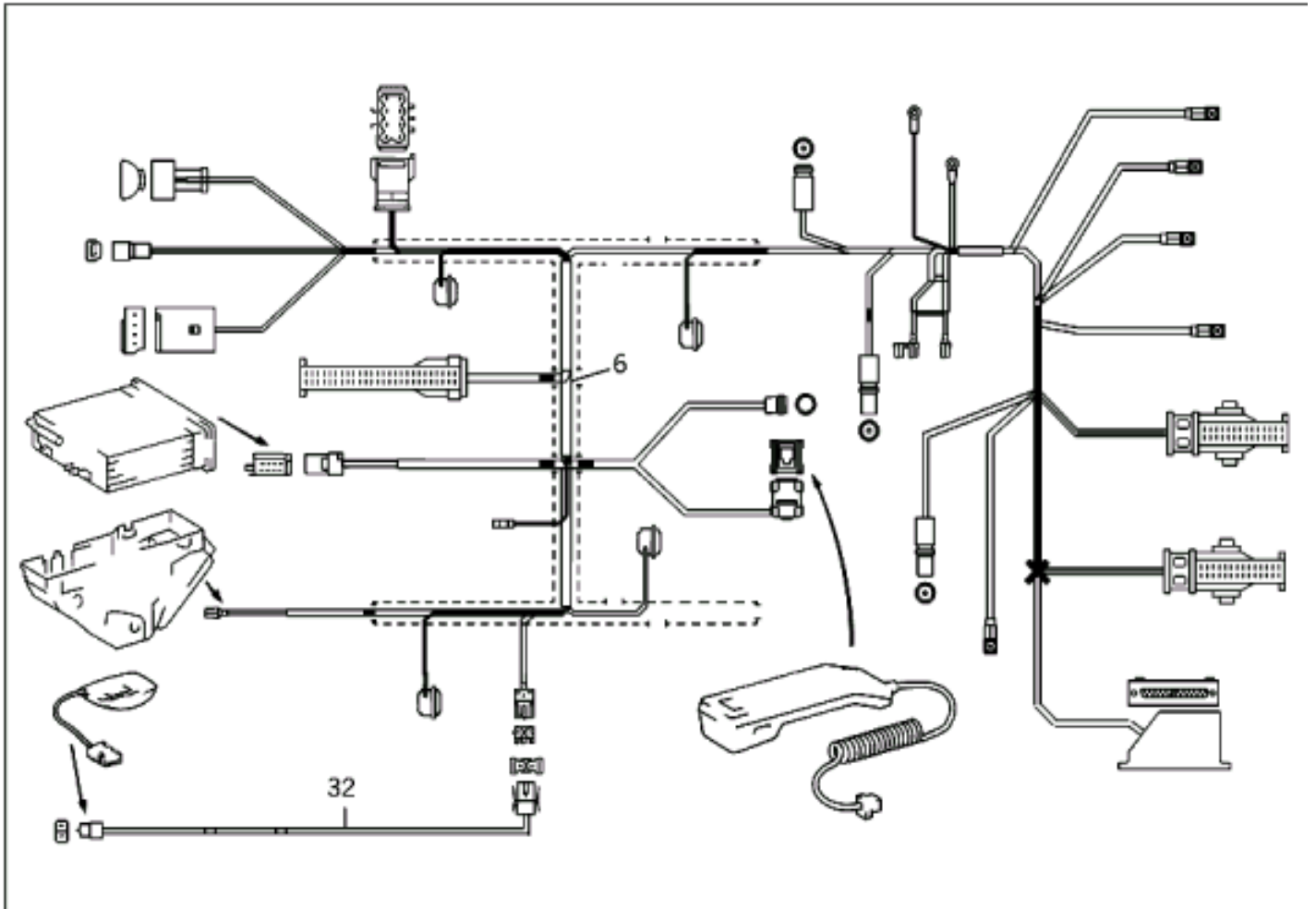
CAR PHONE, EMERGENCY CALL AND VOICE CONTROL SYSTEM



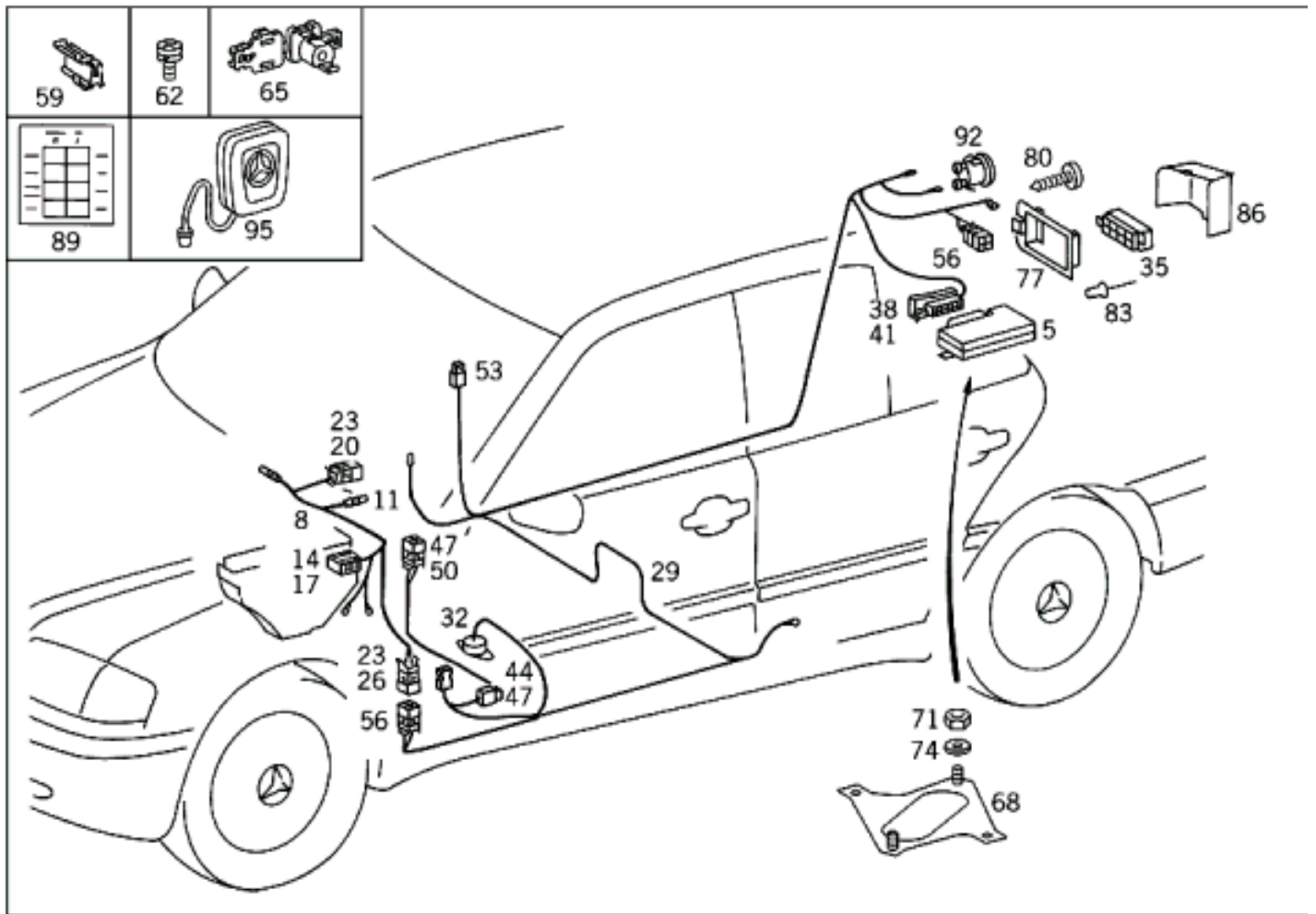
CABLE HARNESS AUTOMOBILE TELEPHONE



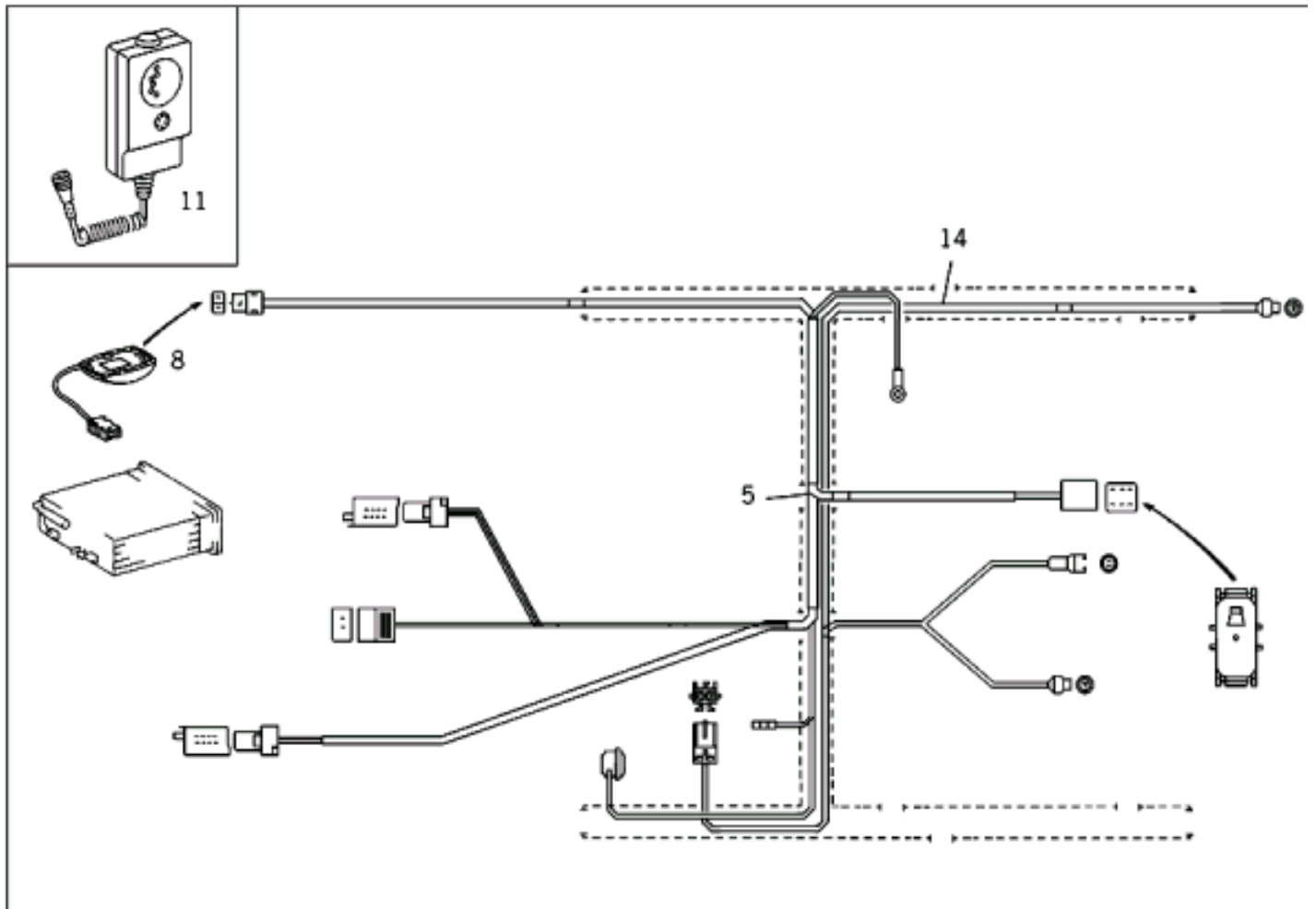
CABLE HARNESS AUTOMOBILE TELEPHONE



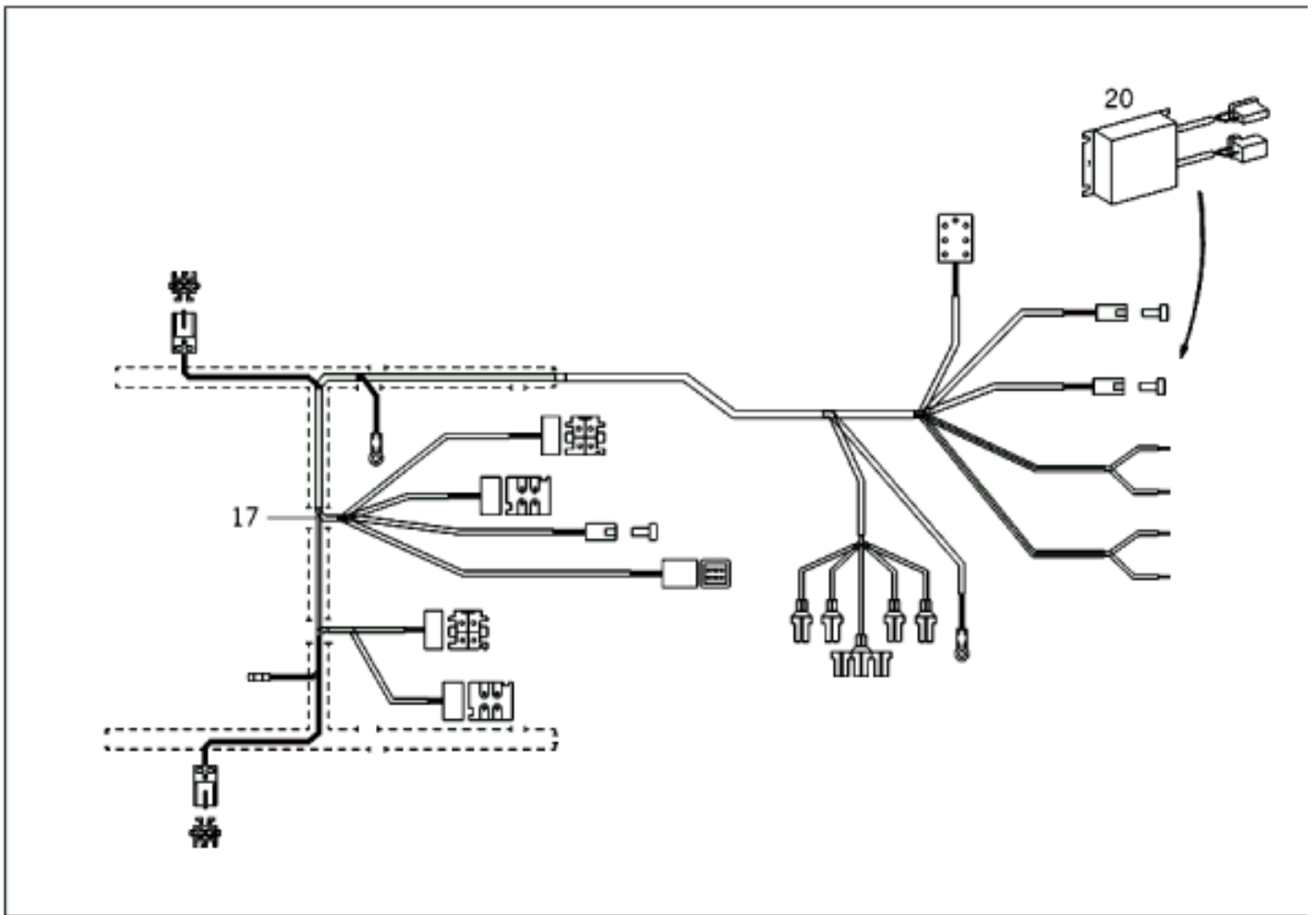
# DISTRESS ALARM SYSTEM



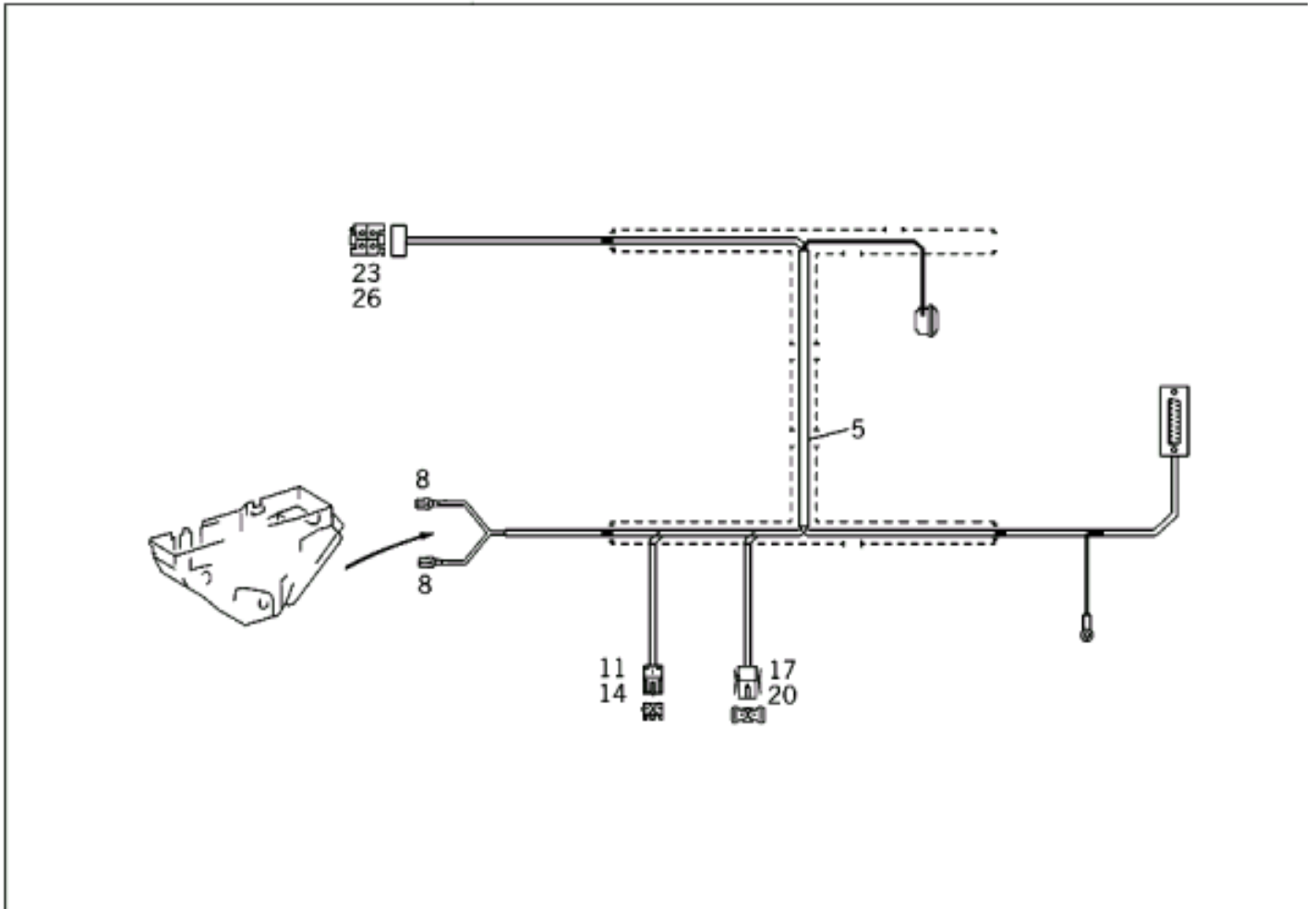
# ACCESSORIES USED FOR WIRELESS PLANTS



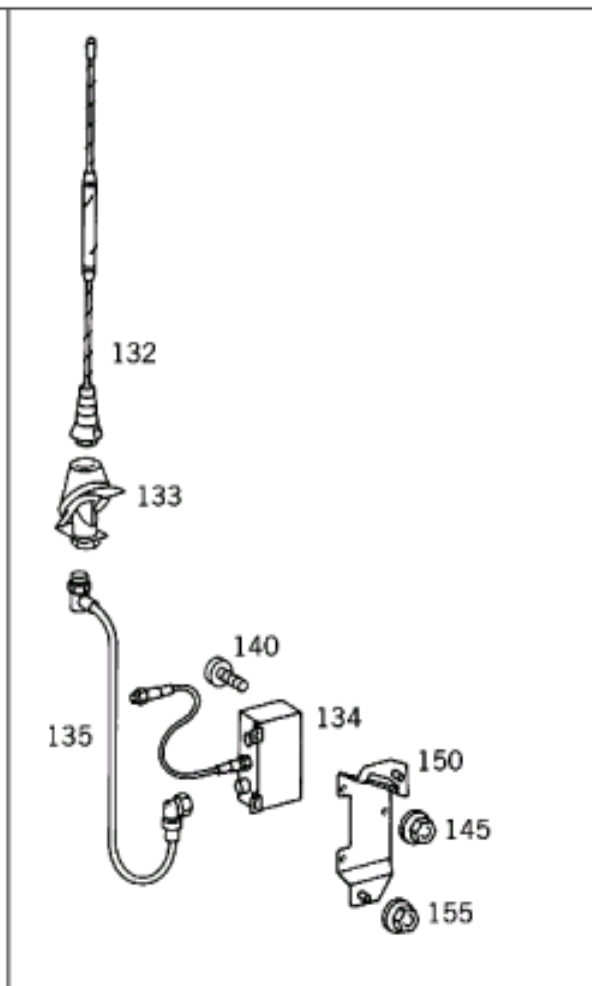
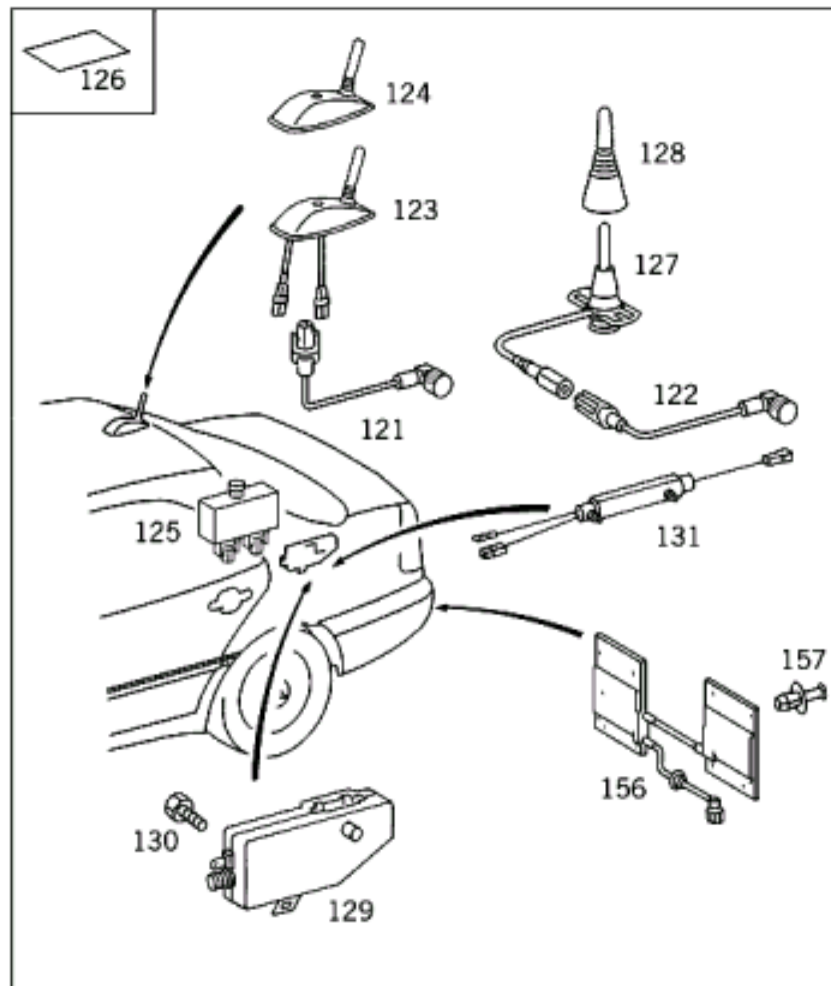
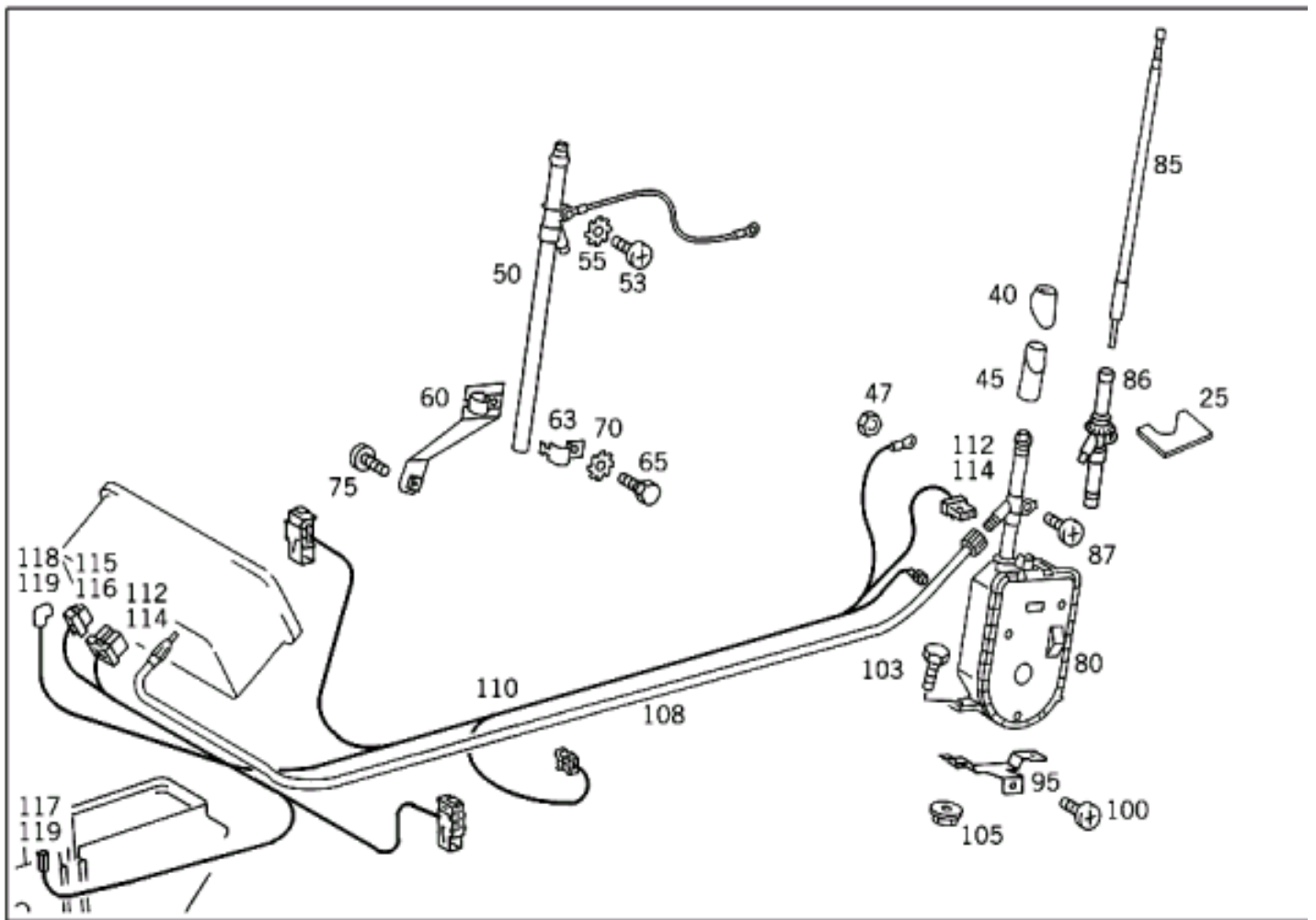
# ACCESSORIES USED FOR WIRELESS PLANTS

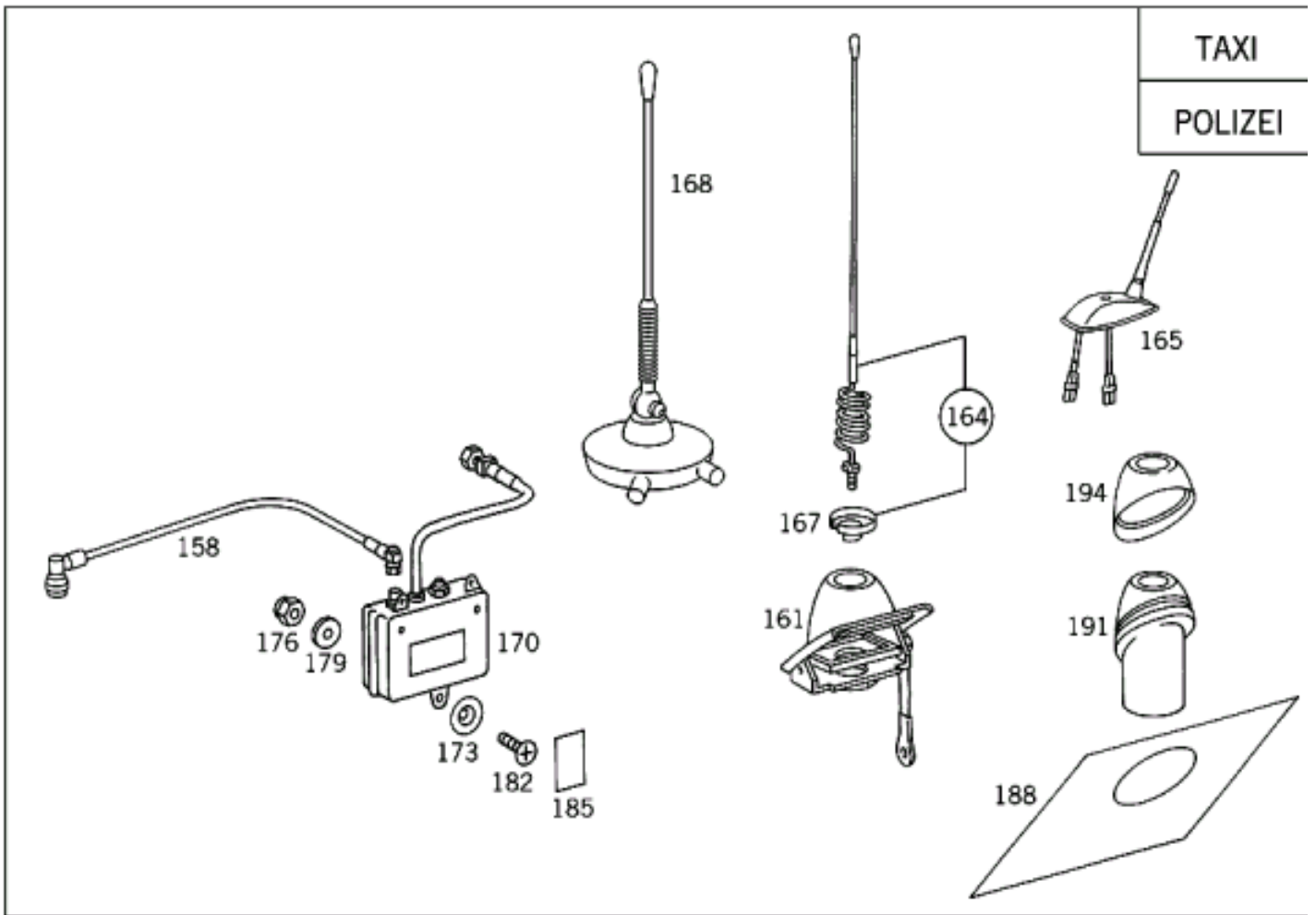


# CABLE HARNESS FOR LANGUAGE CONTROL SYSTEM

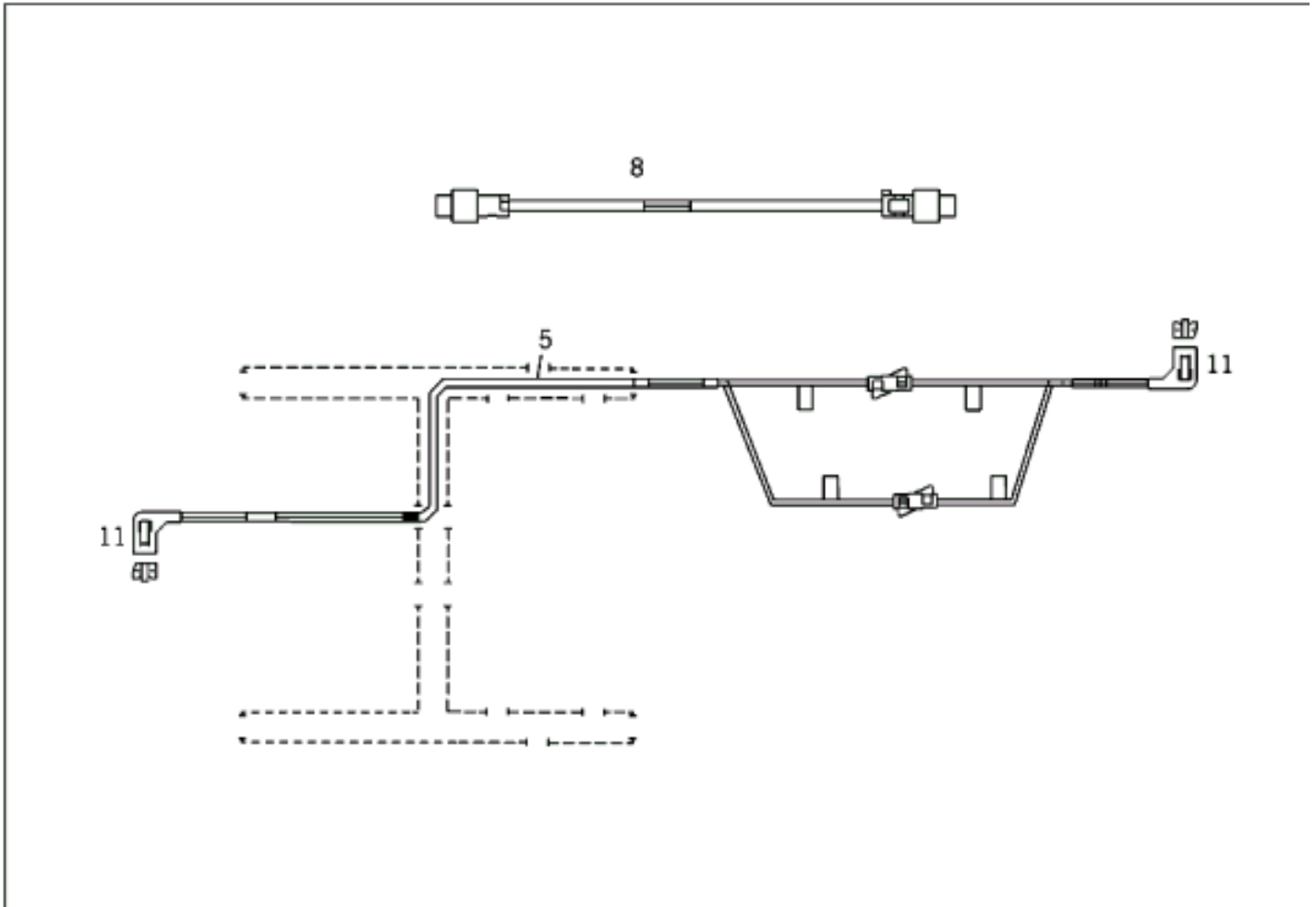


# ANTENNA

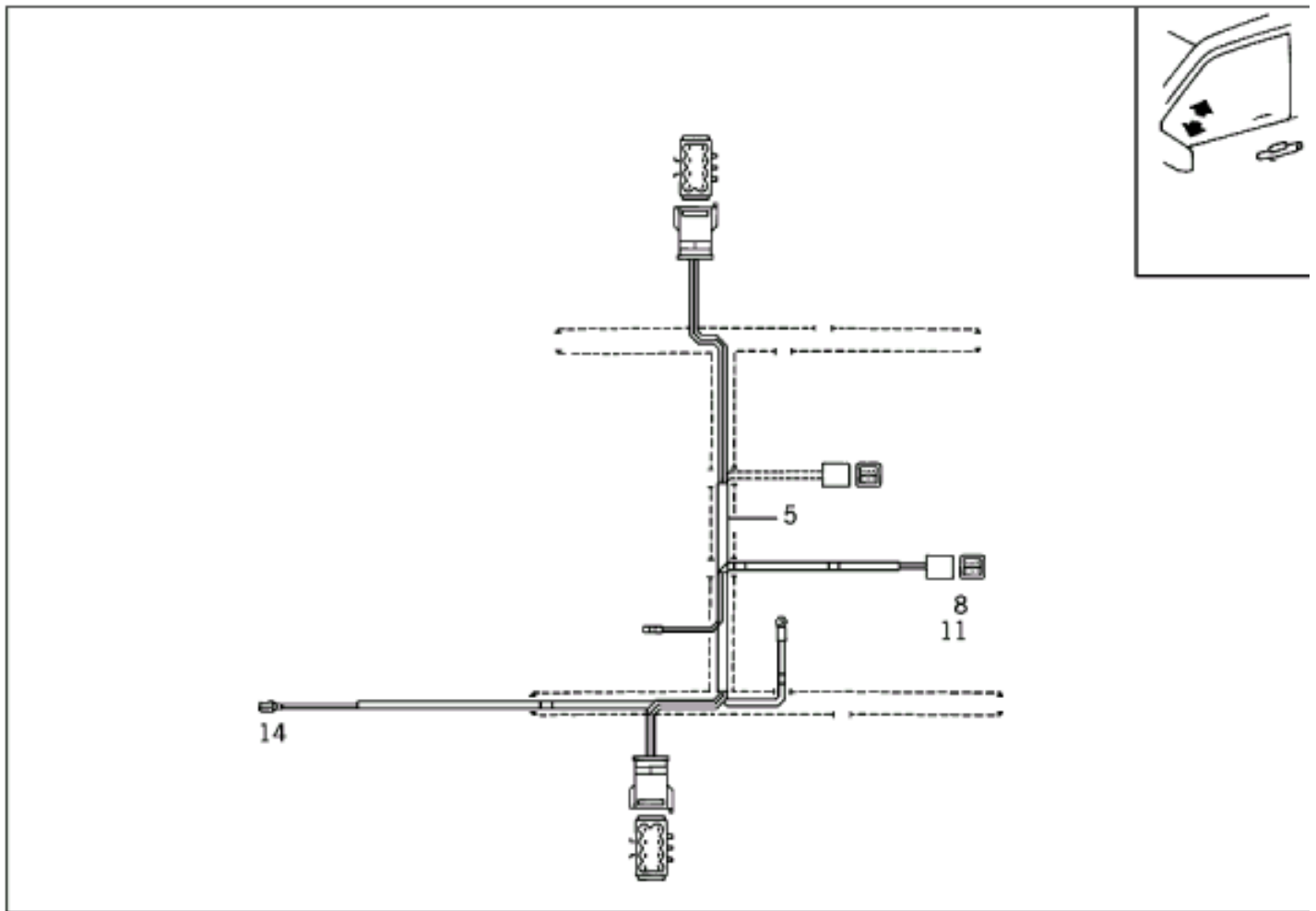




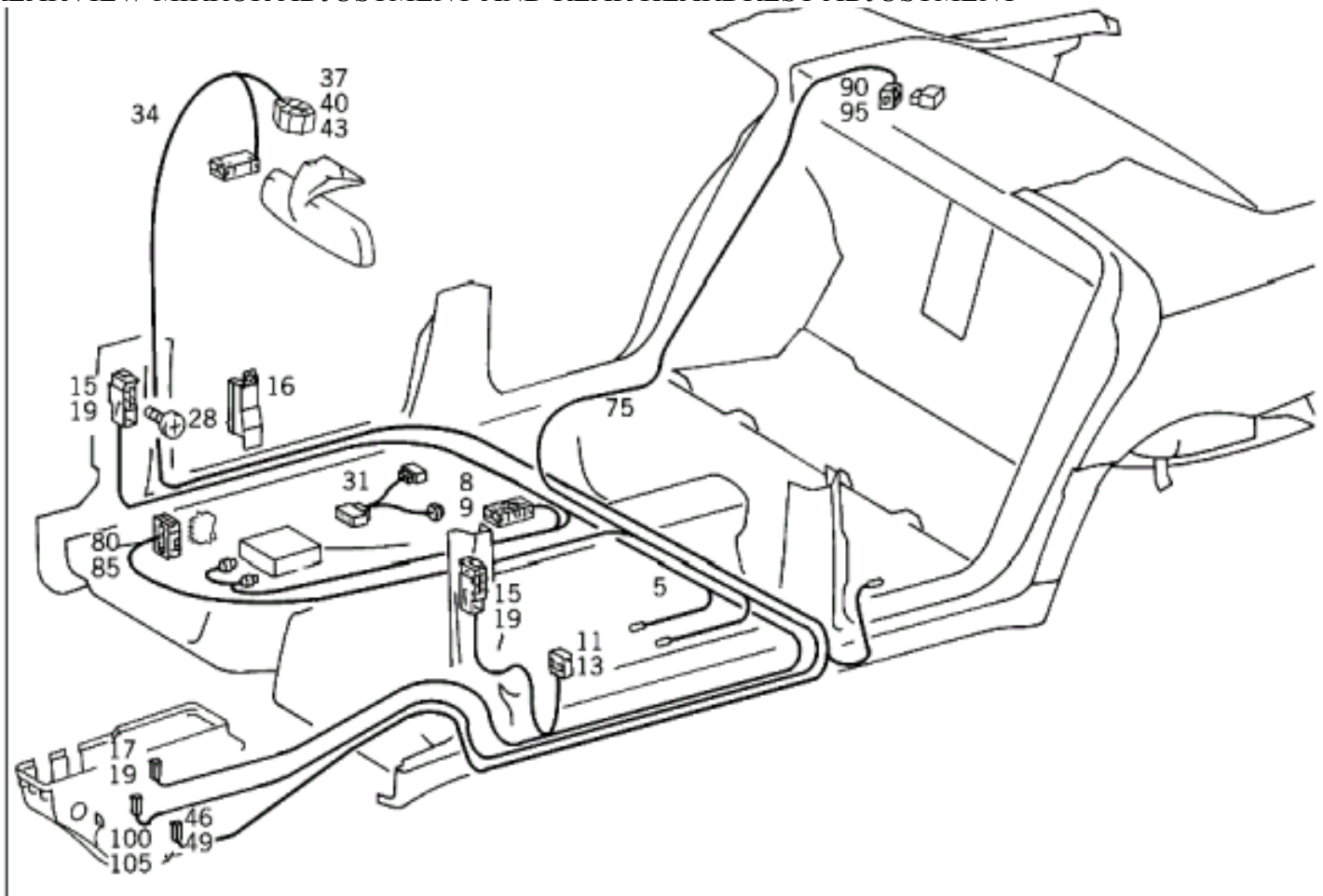
WIRING HARNESS BEAM WAVEGUIDE



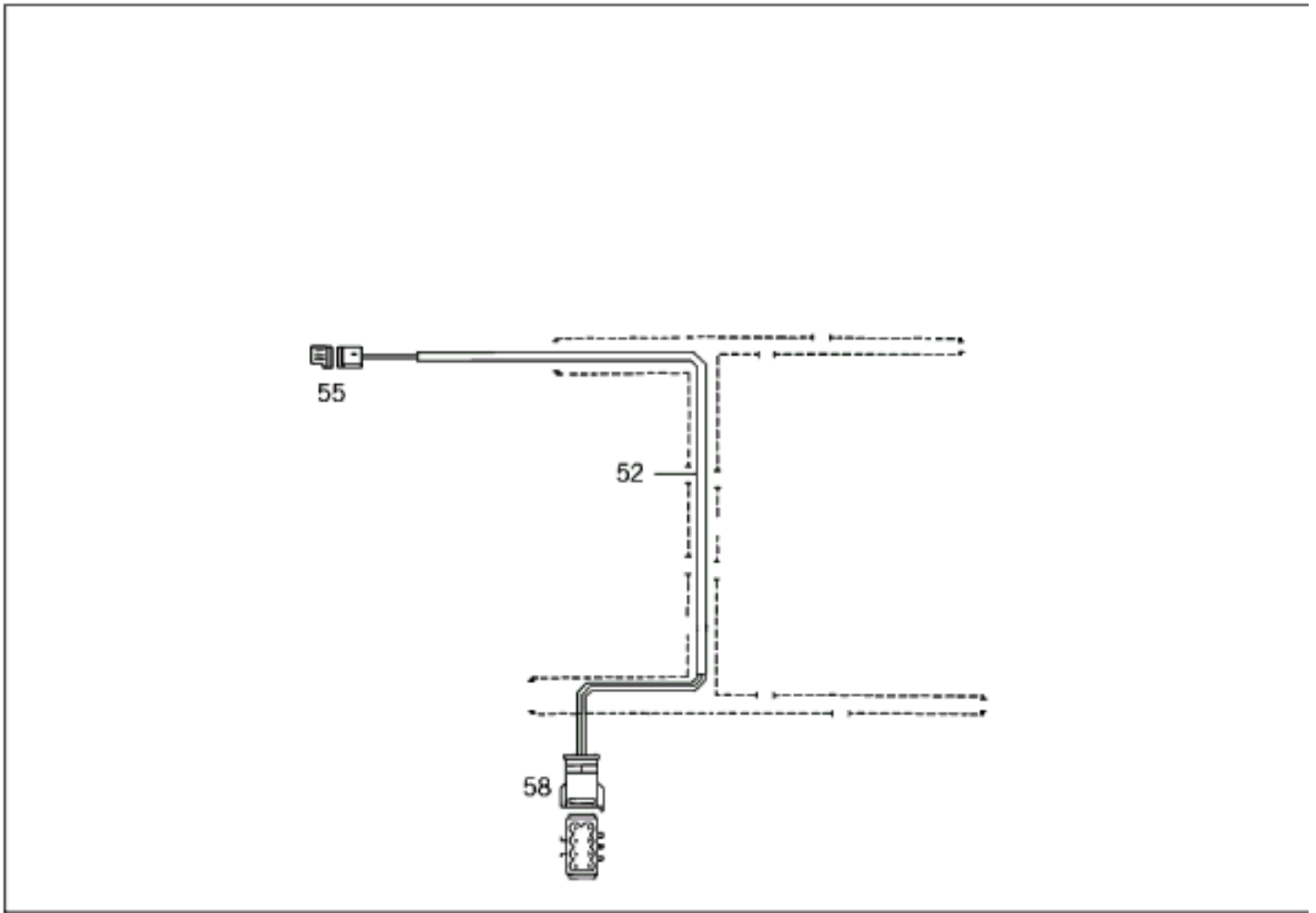
# ELECTRICALLY FOLDING OUTSIDE REARVIEW MIRROR



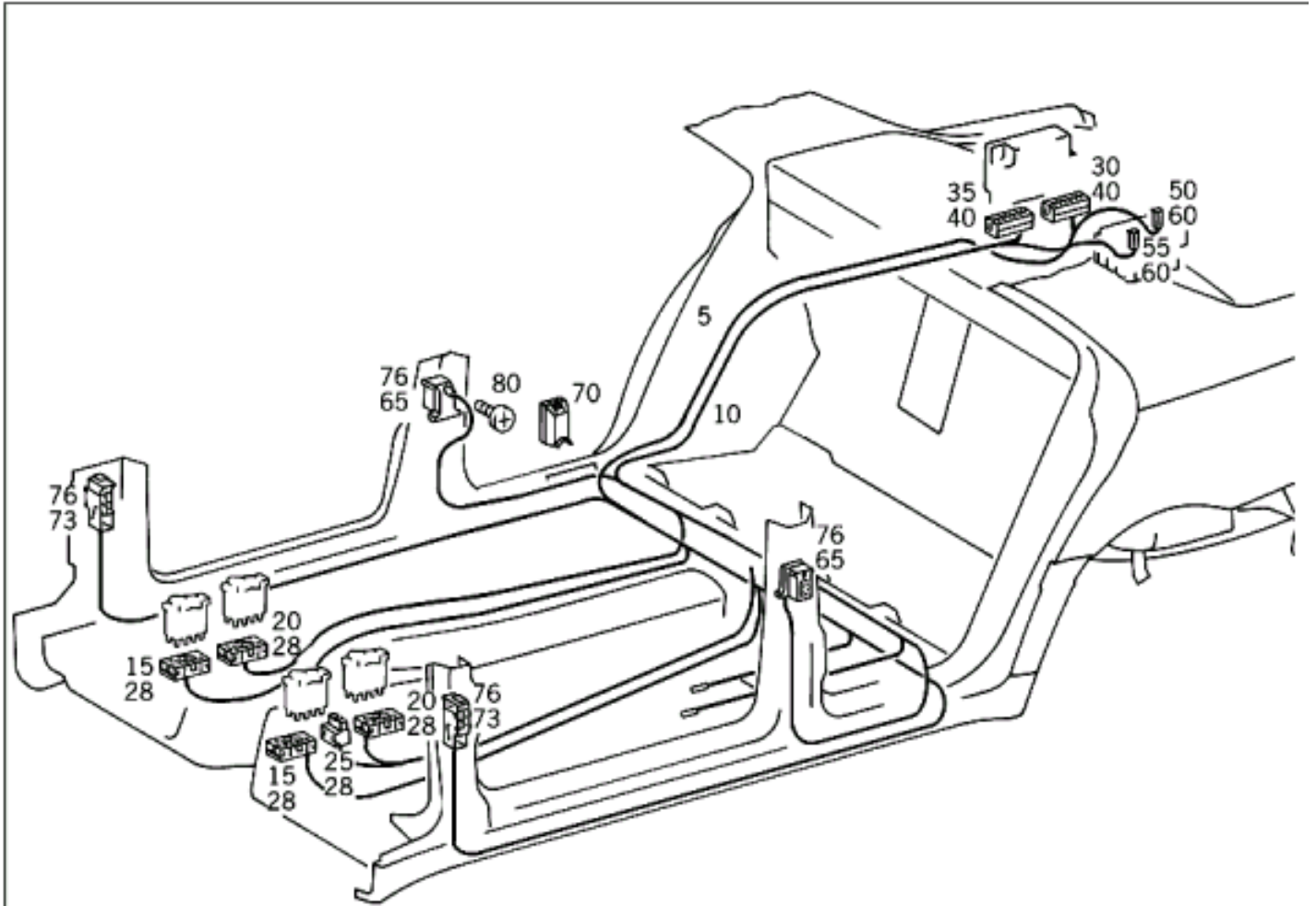
# REARVIEW MIRROR ADJUSTMENT AND REAR HEADREST ADJUSTMENT



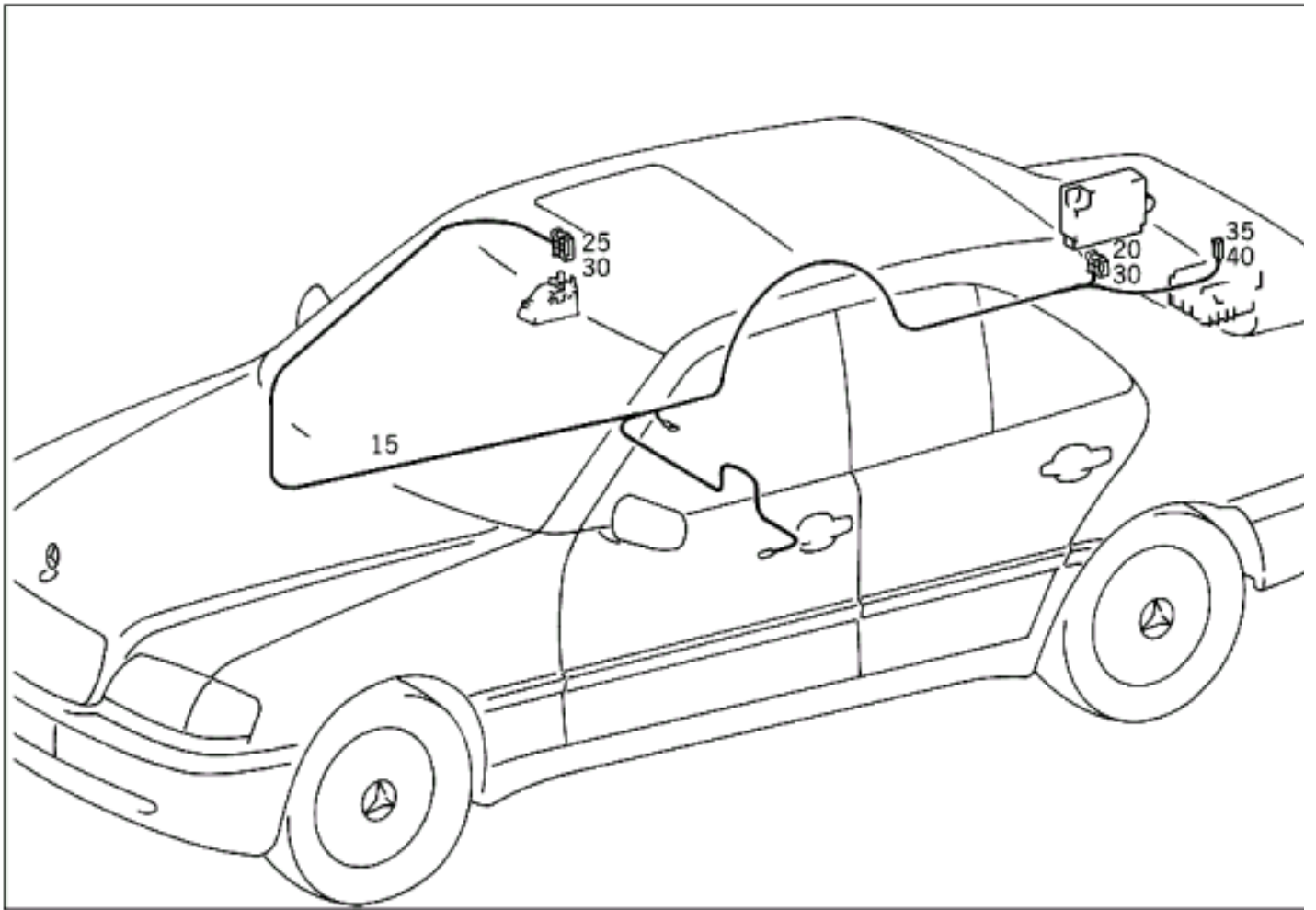
## REARVIEW MIRROR ADJUSTMENT AND REAR HEADREST ADJUSTMENT



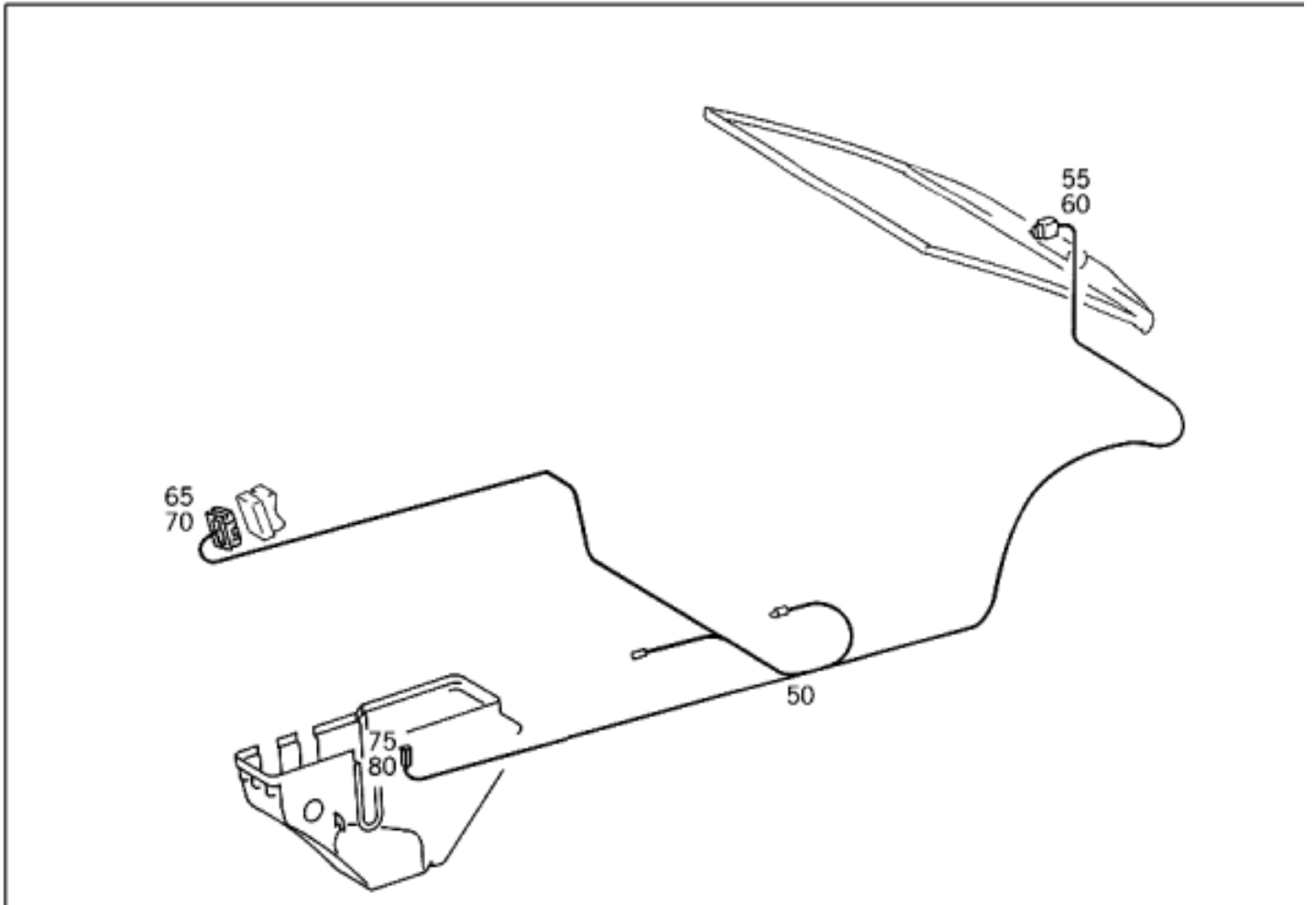
## ELECTRIC WINDOW REGULATOR



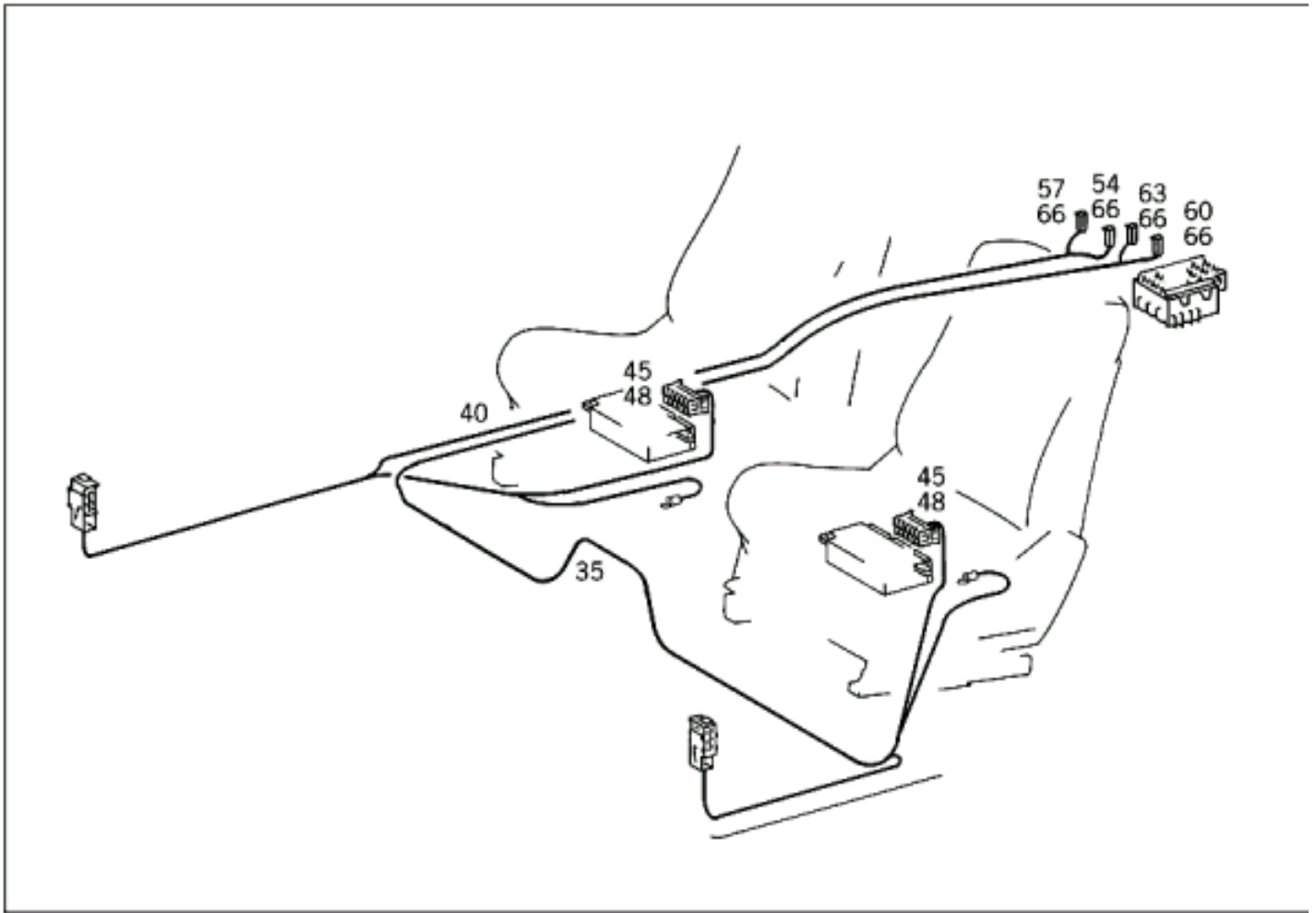
ELECTRIC SLIDING ROOF AND REAR WINDOW ROLLER BLIND



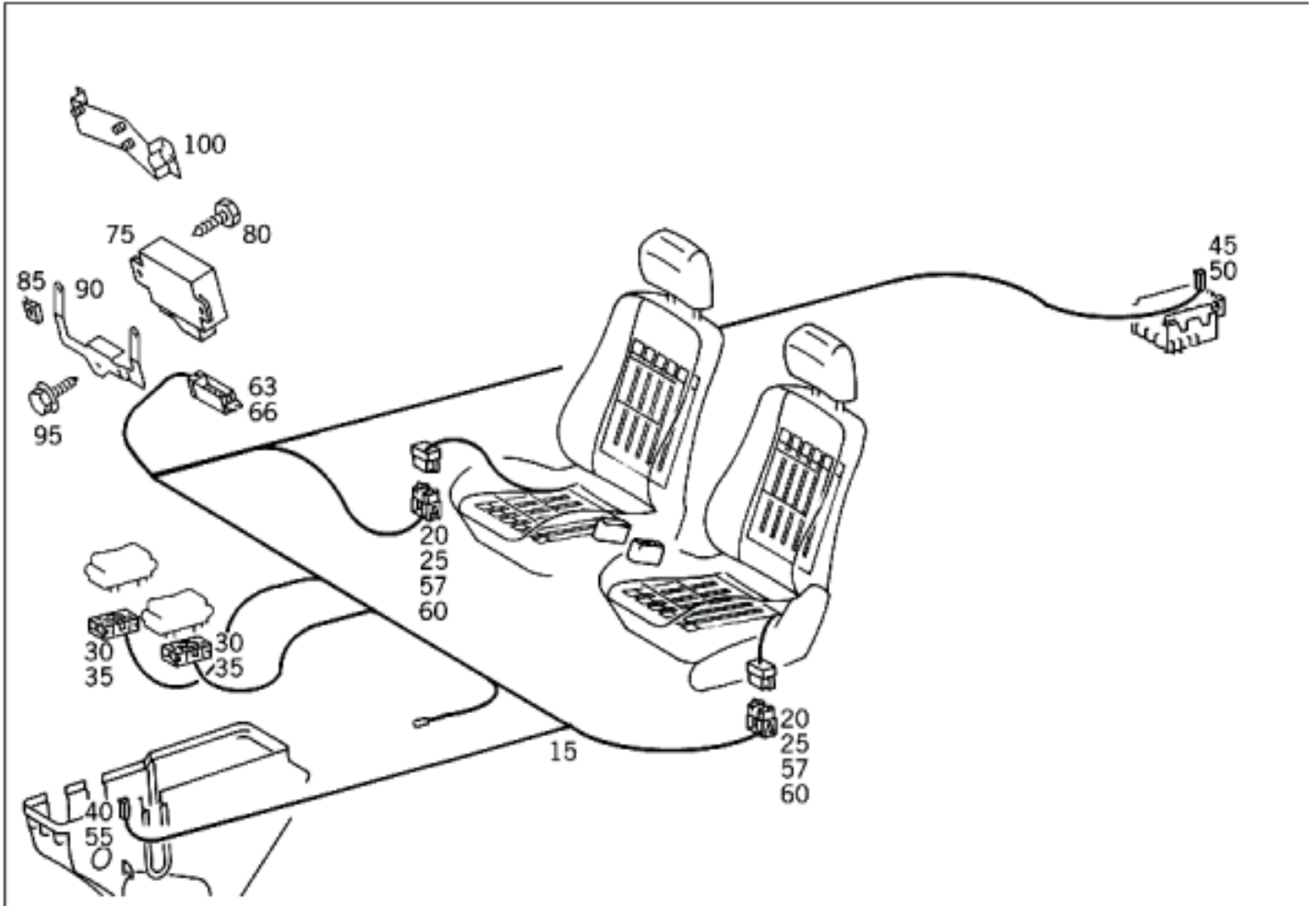
ELECTRIC SLIDING ROOF AND REAR WINDOW ROLLER BLIND



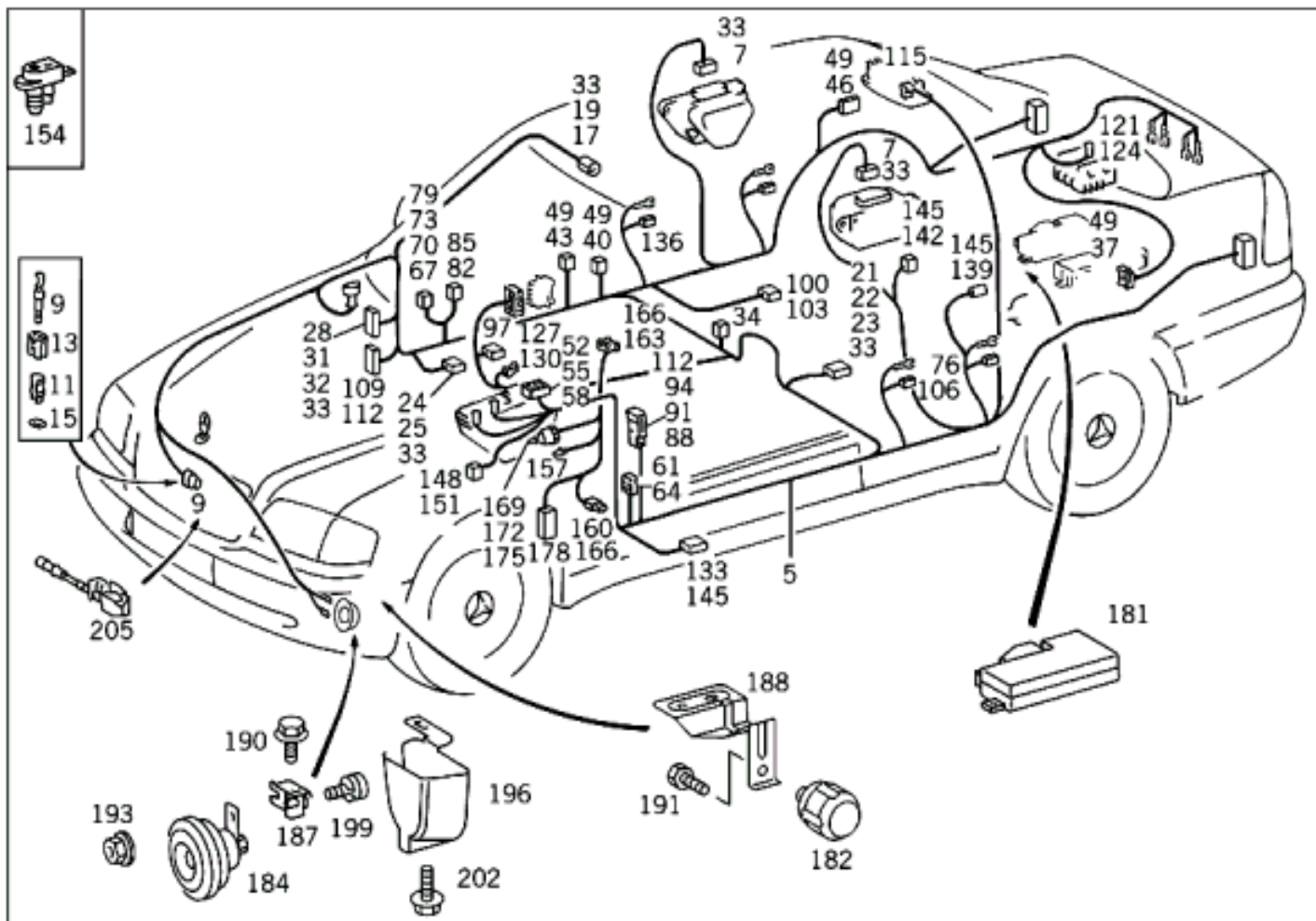
# ELECTRIC SEAT ADJUSTER



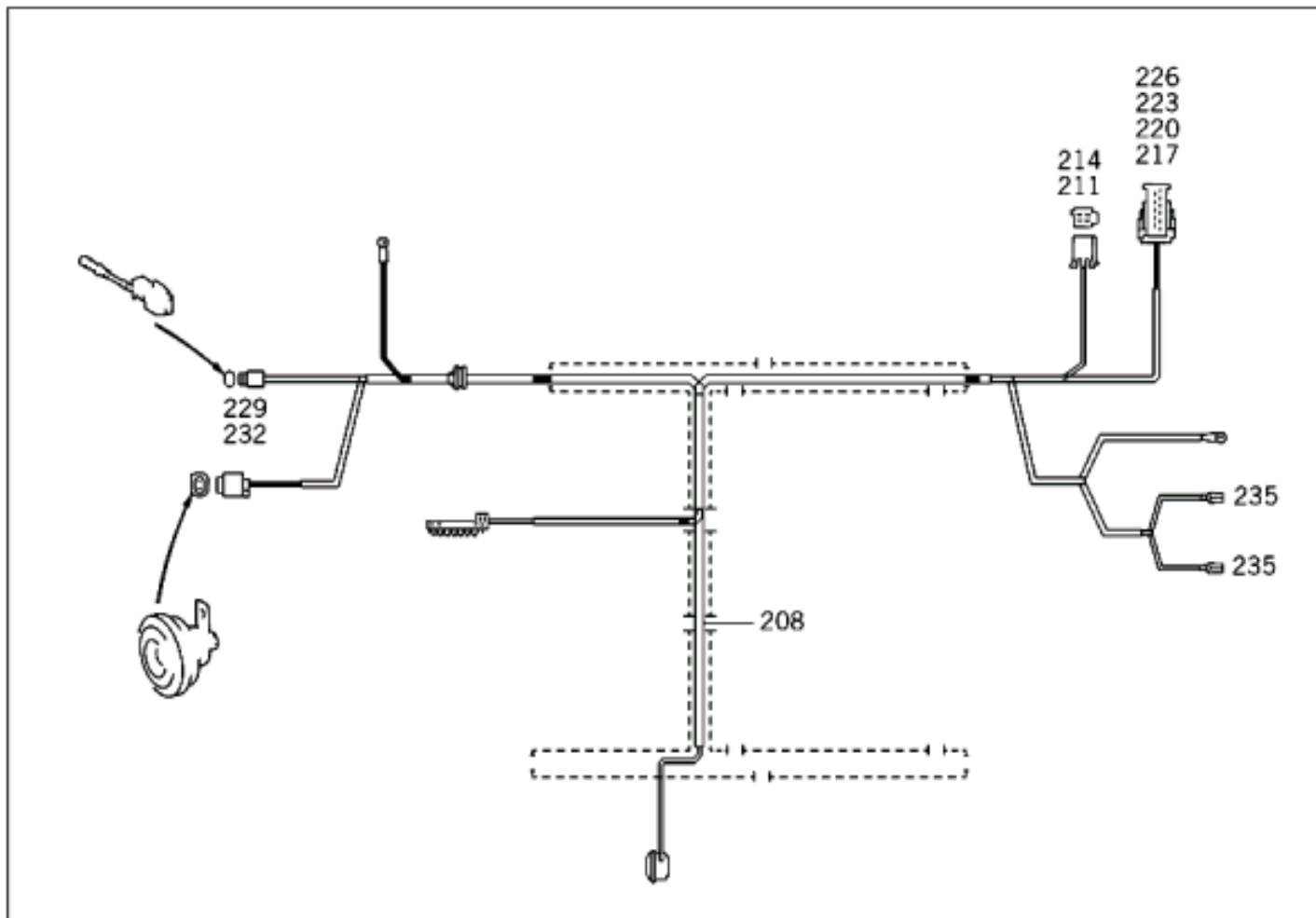
# SEAT HEATING



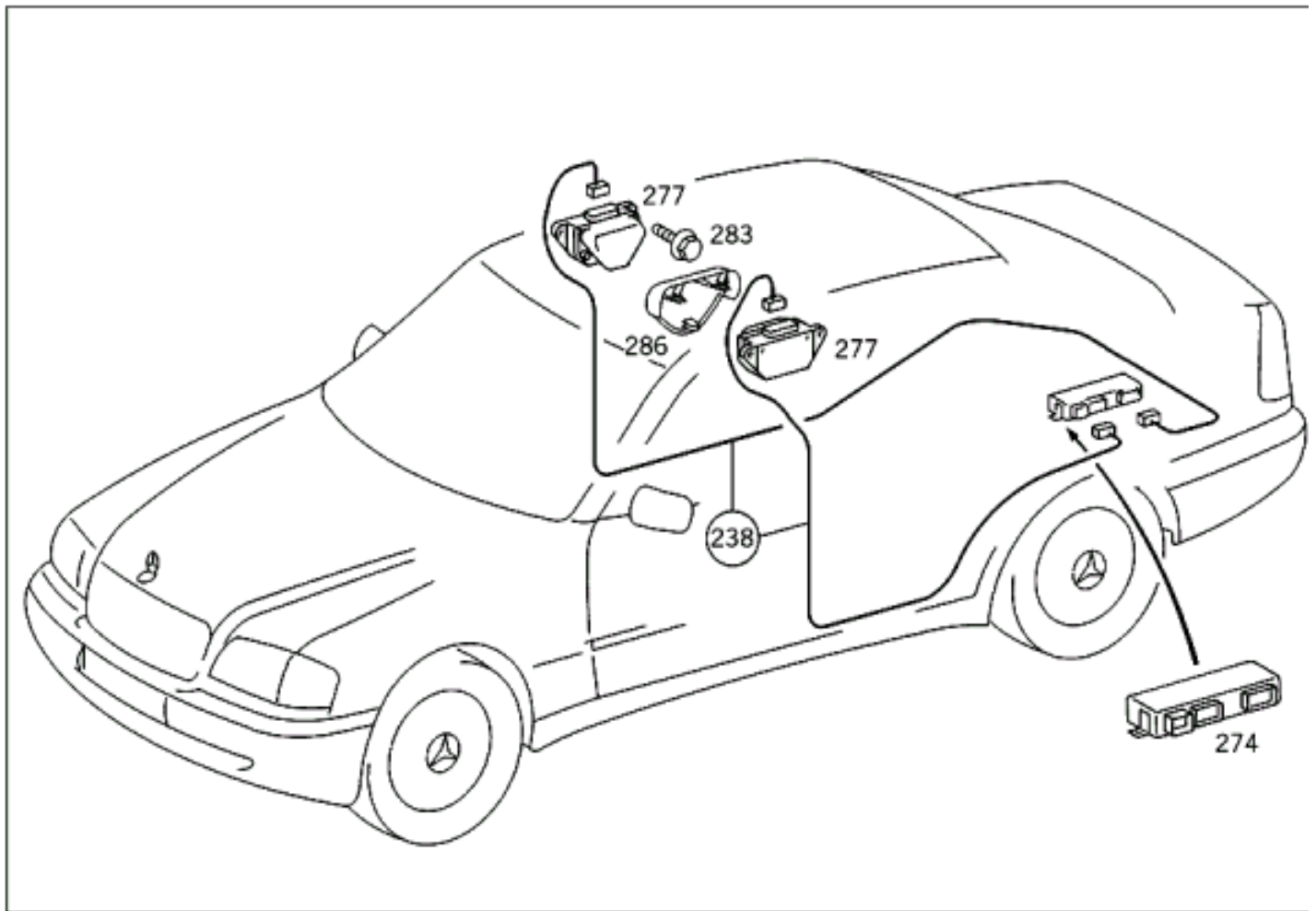
# BURGLARY ALARM SYSTEM AND INFRARED CLOSING SYSTEM



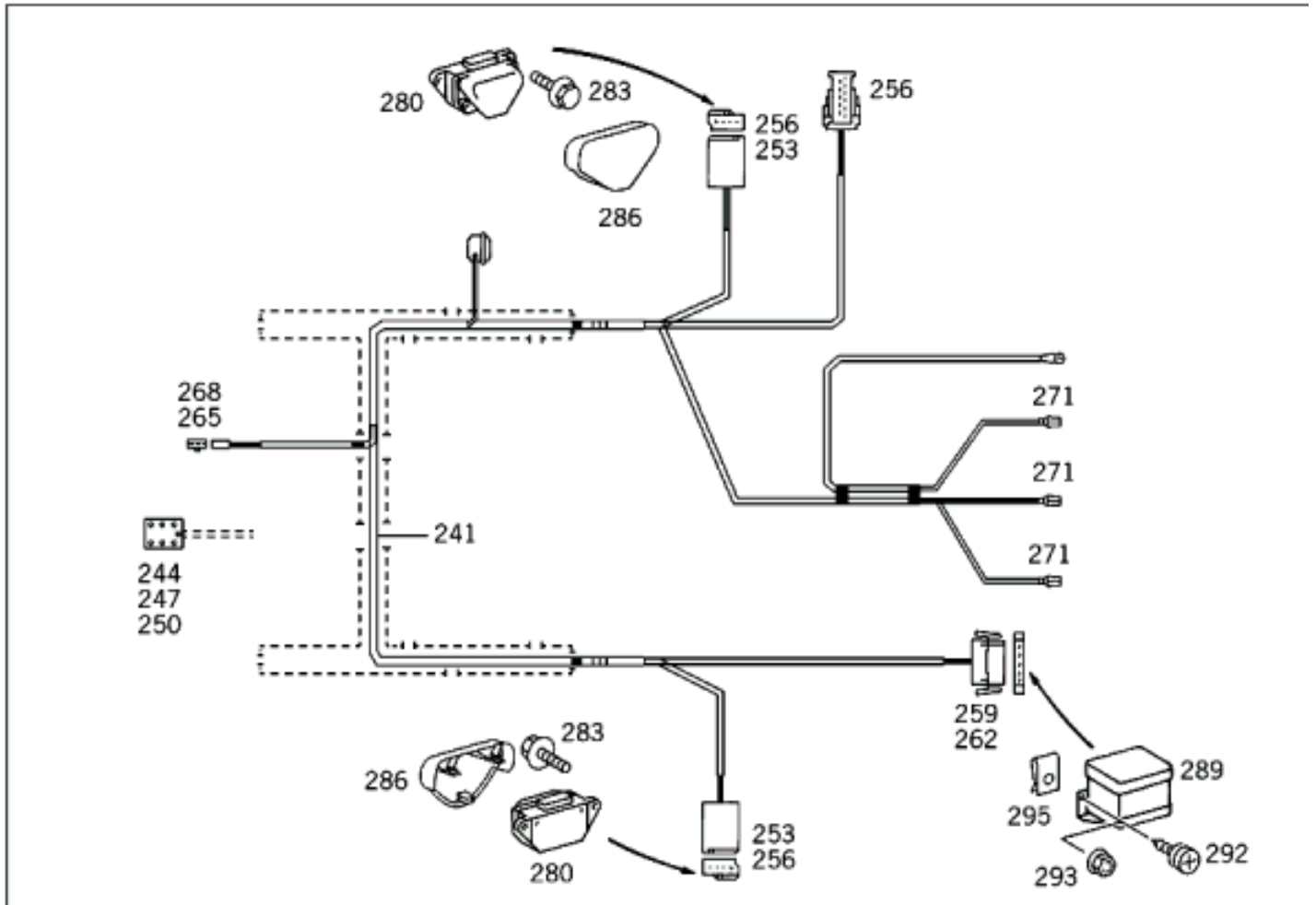
# BURGLARY ALARM SYSTEM AND INFRARED CLOSING SYSTEM



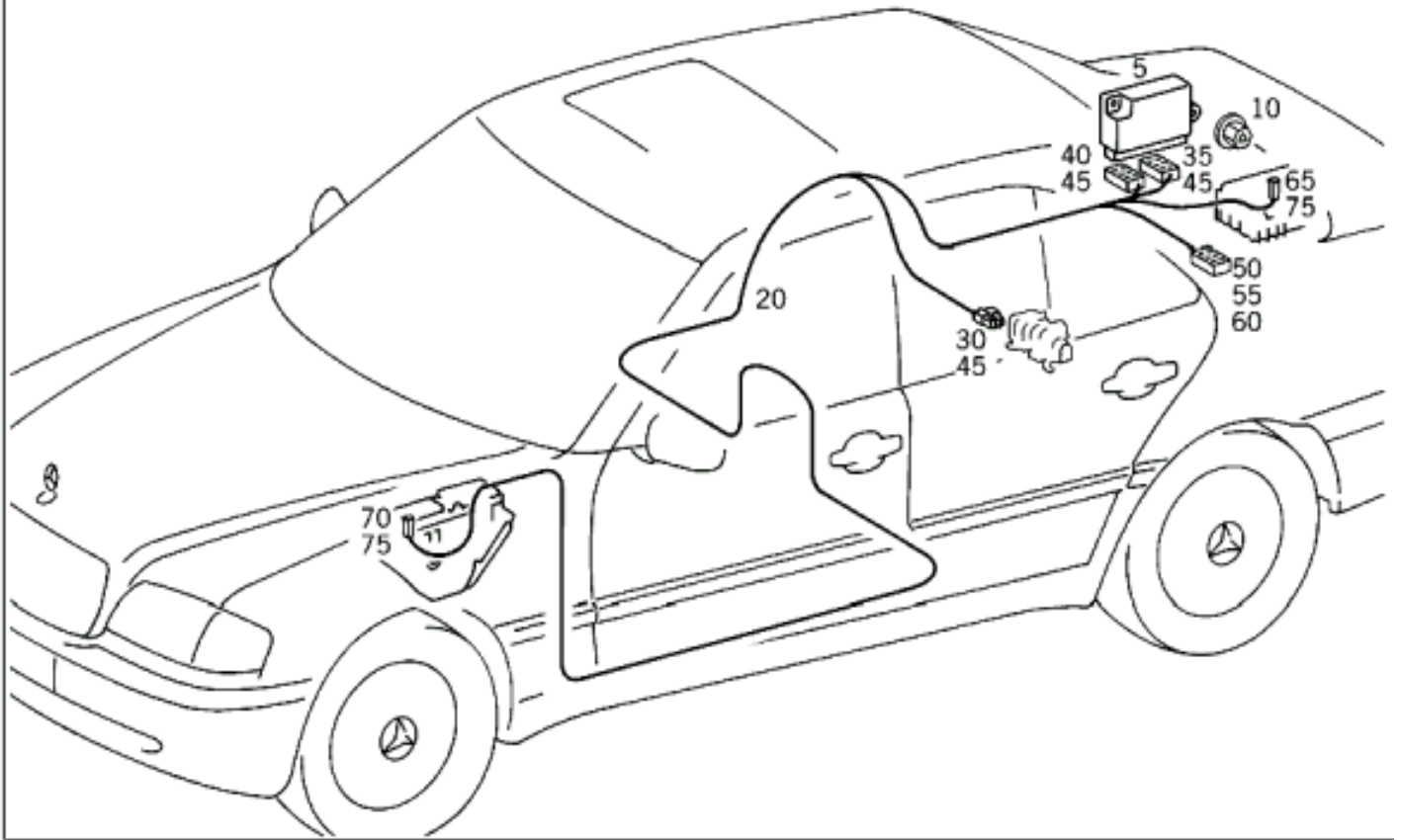
# BURGLARY ALARM SYSTEM AND INFRARED CLOSING SYSTEM



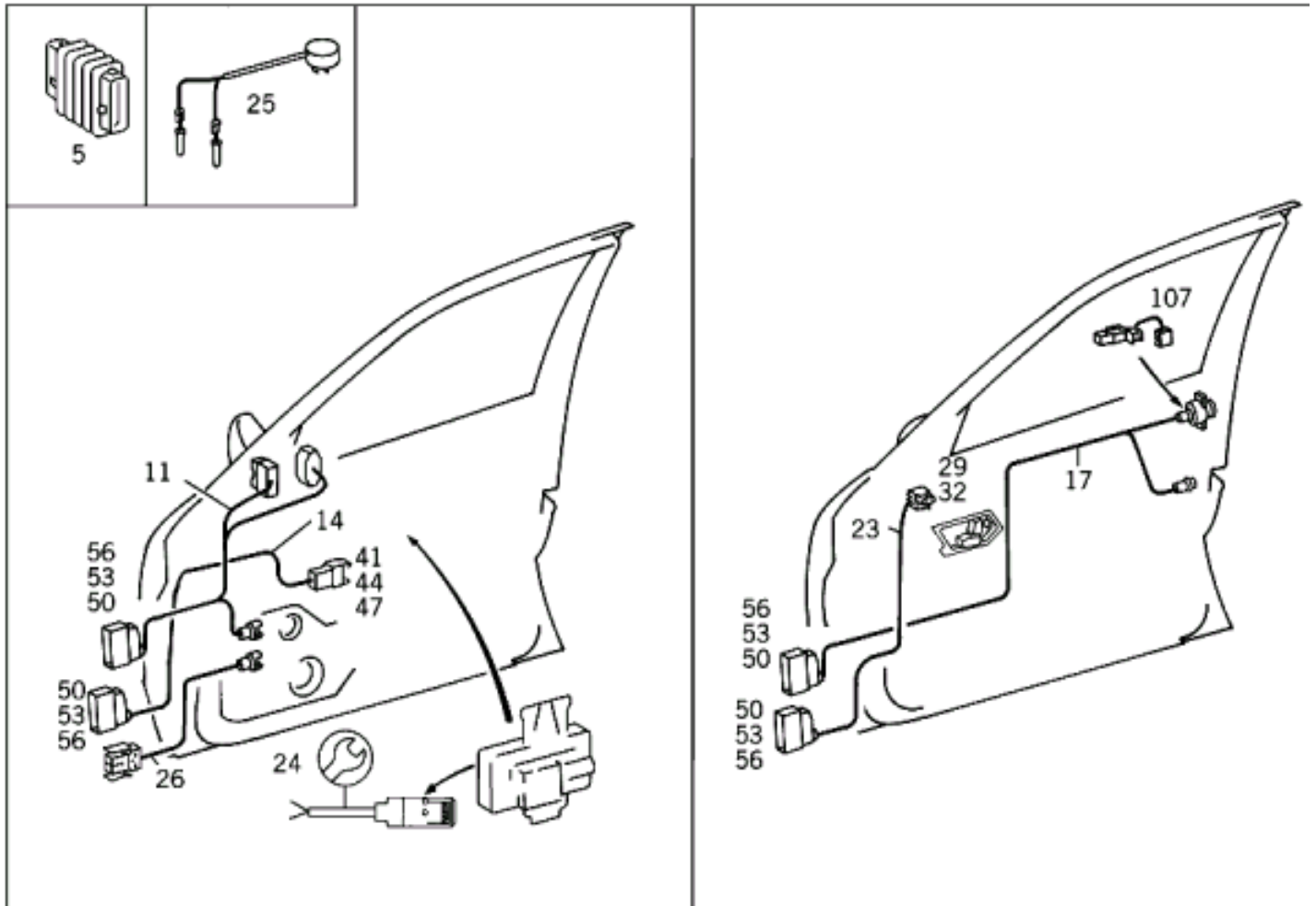
# BURGLARY ALARM SYSTEM AND INFRARED CLOSING SYSTEM



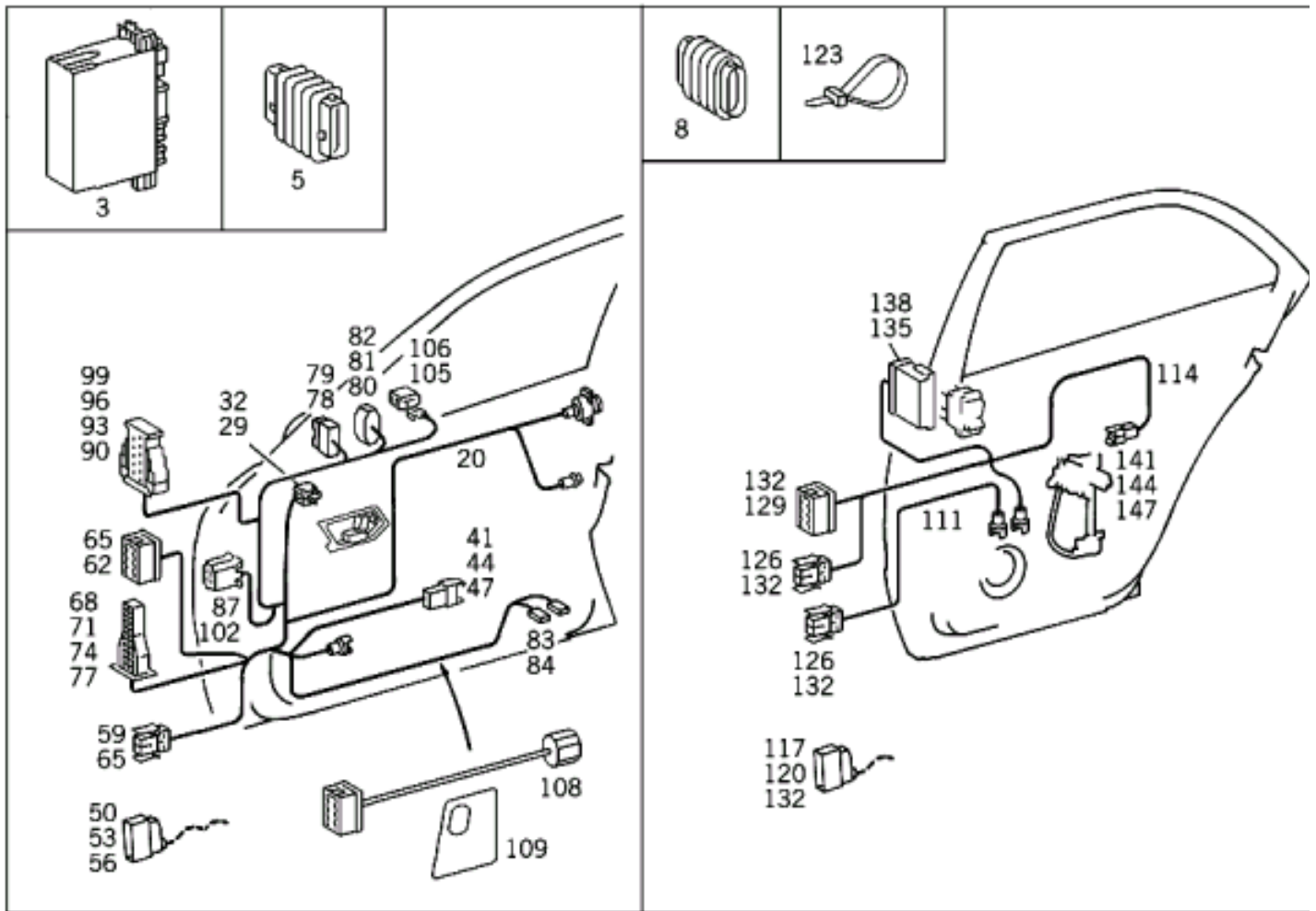
# COMFORT CONTROL



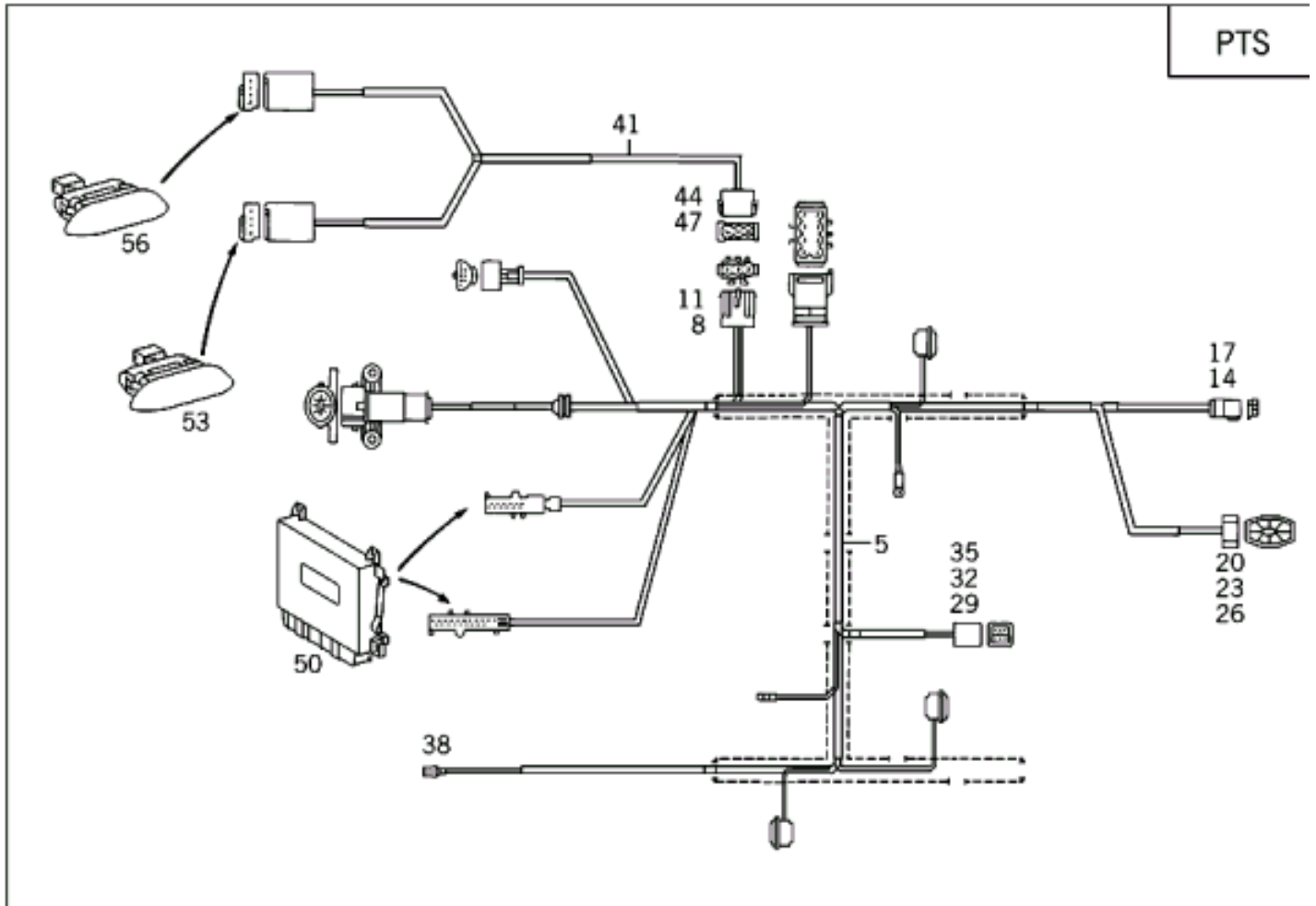
# DOOR CABLE HARNESSES AND PROTECTIVE HOSES



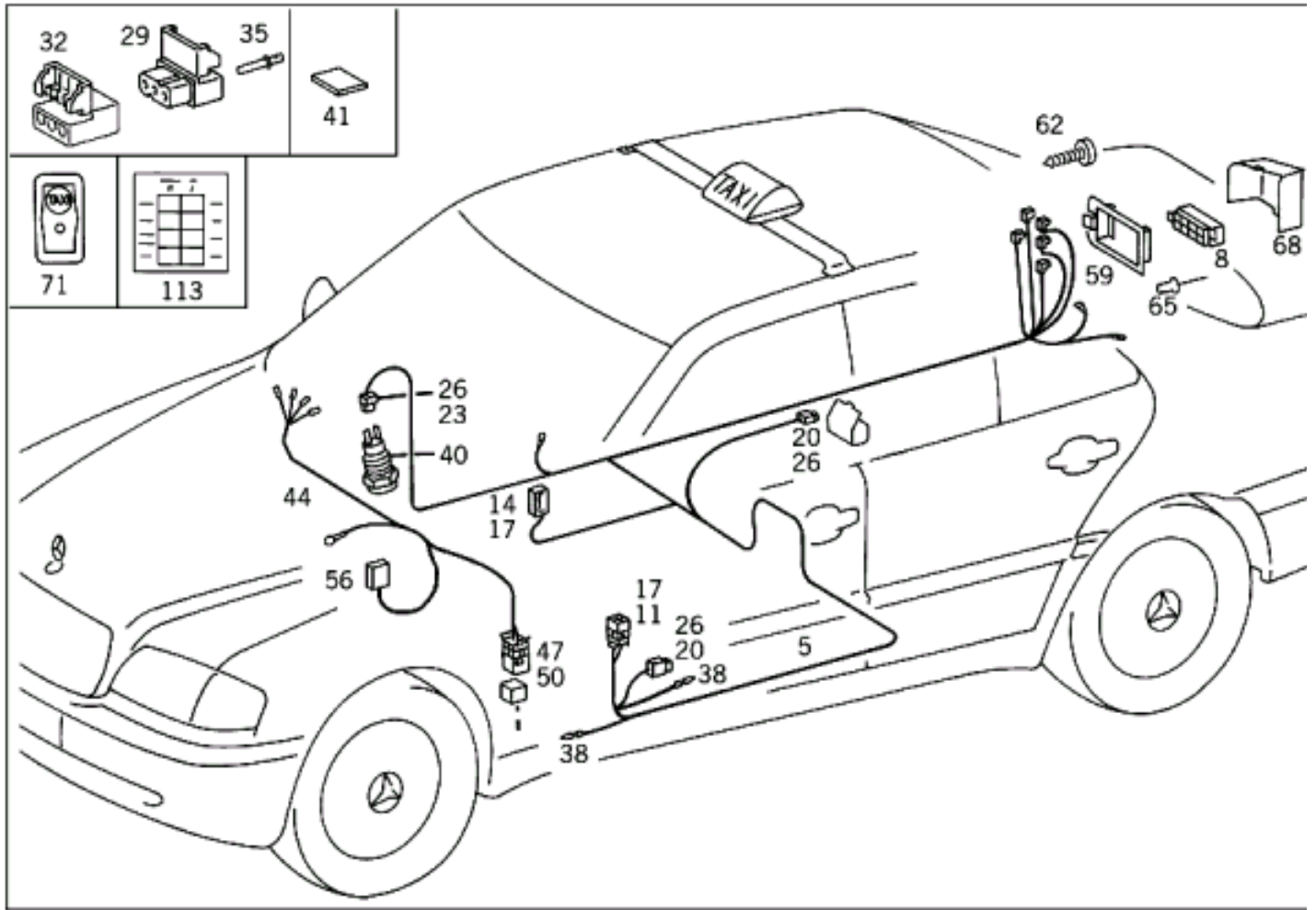
# DOOR CABLE HARNESSES AND PROTECTIVE HOSES



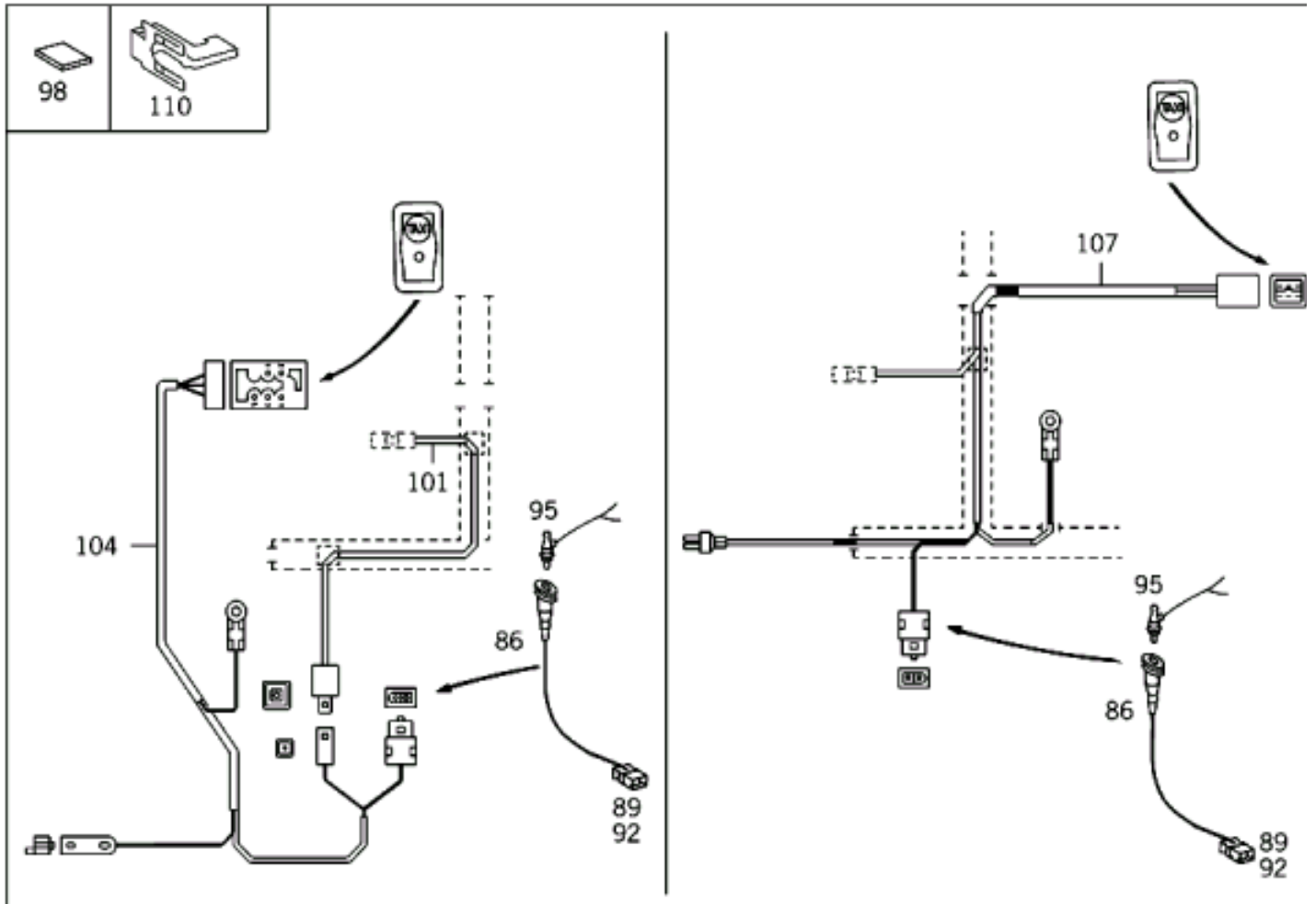
# PARKTRONIC SYSTEM



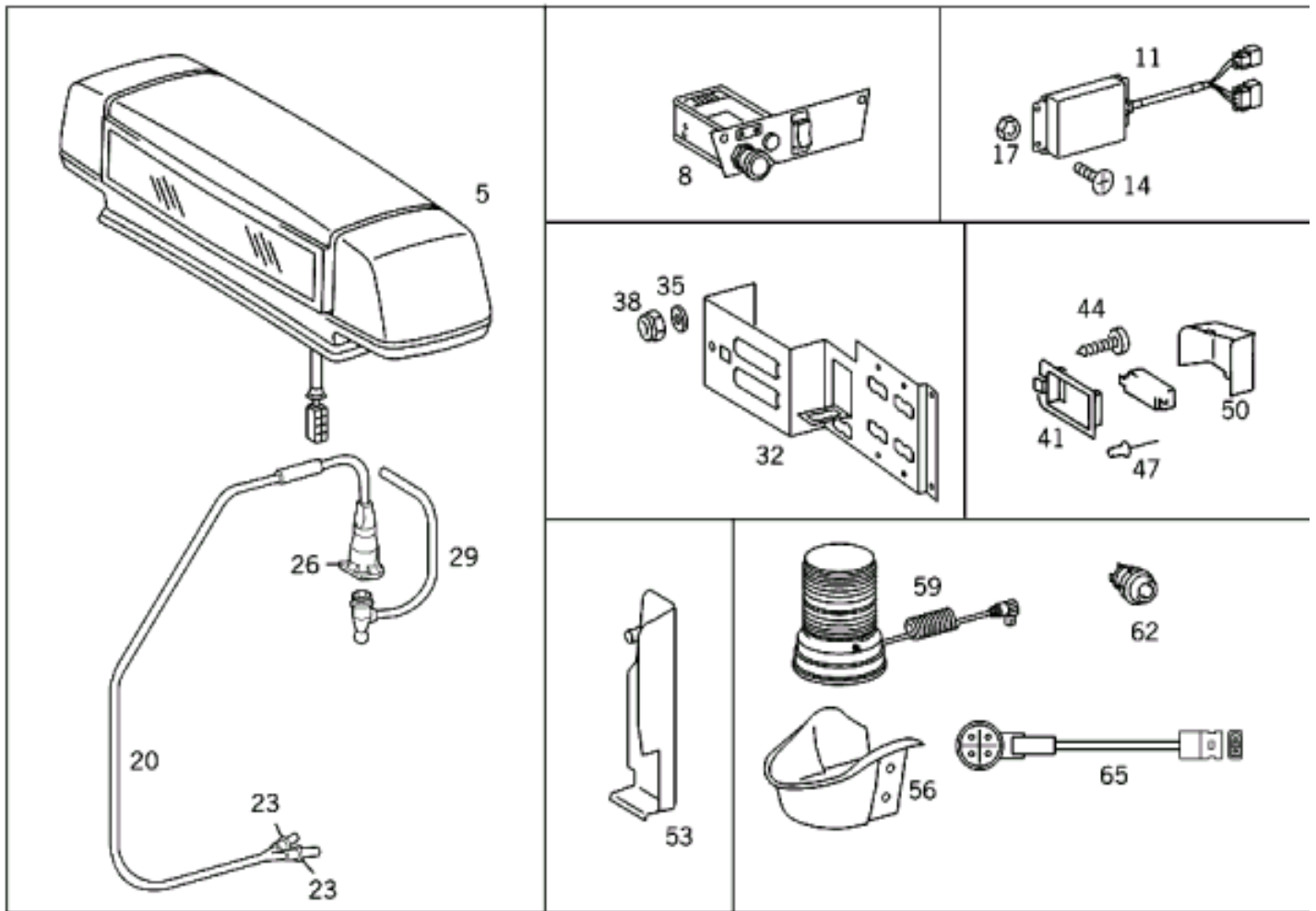
ADDITIONALPARTS TAXI



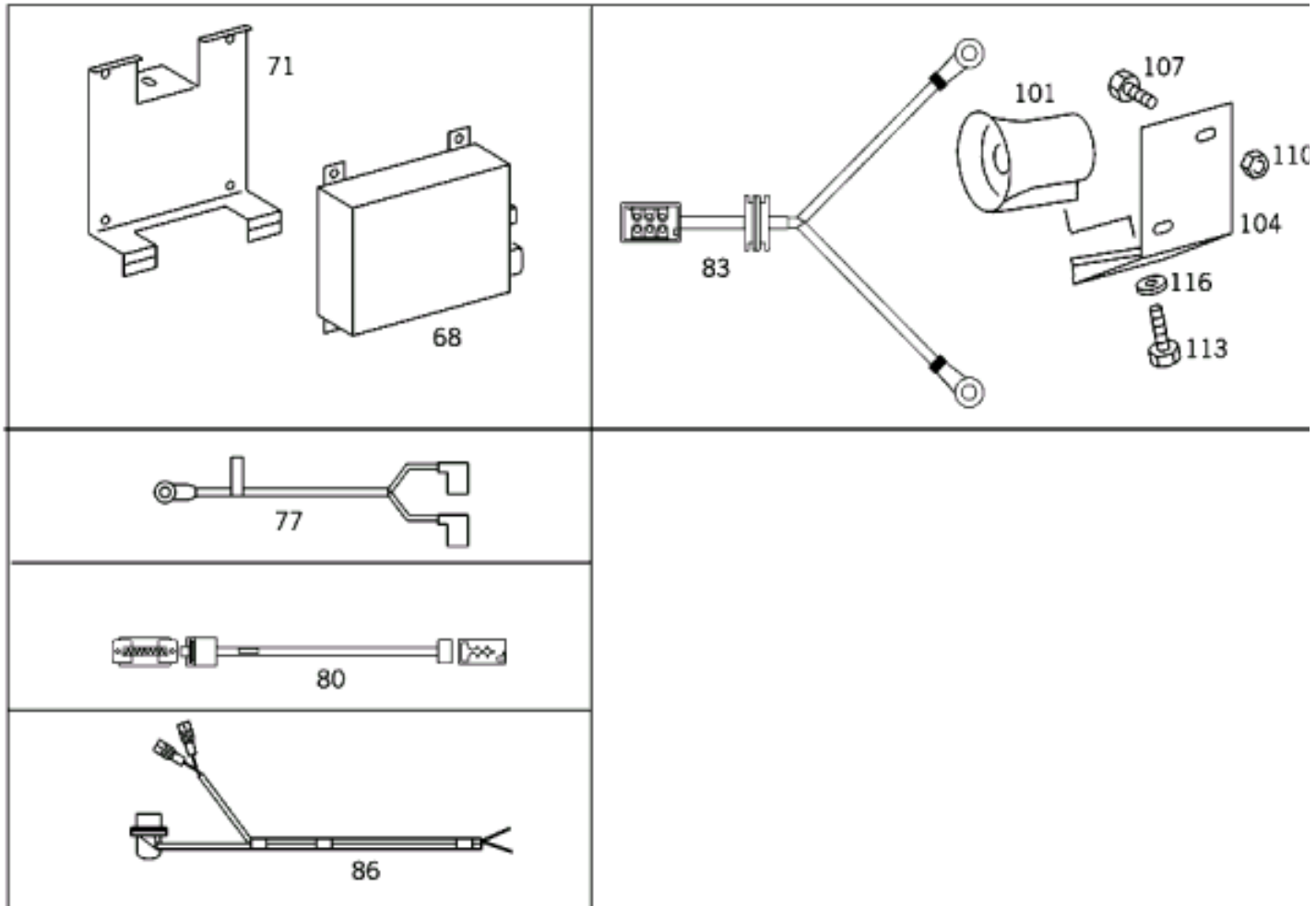
ADDITIONALPARTS TAXI



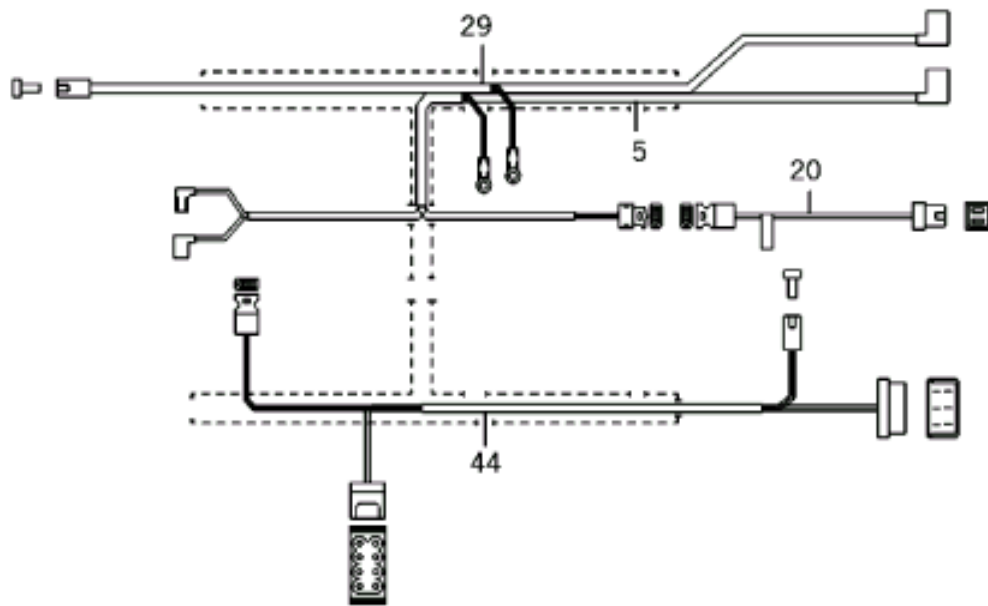
ADDITIONALPARTS TAXI FOR SPECIAL VEHICLES



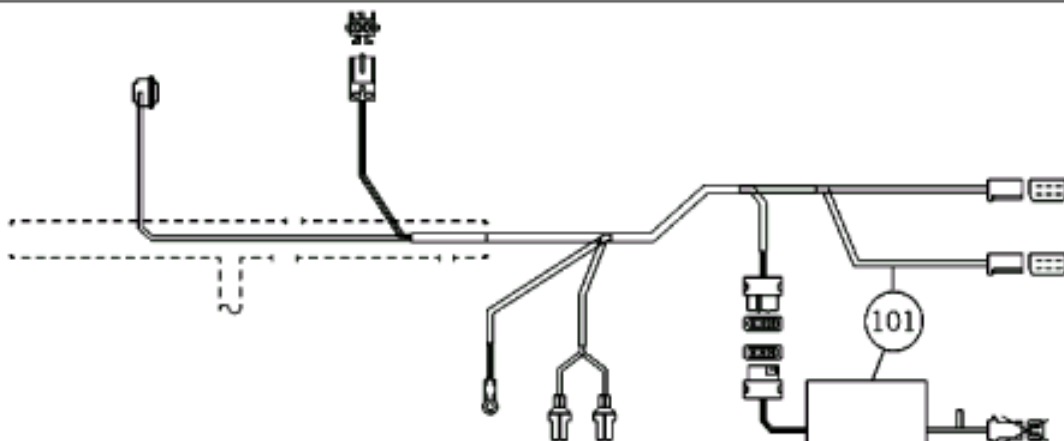
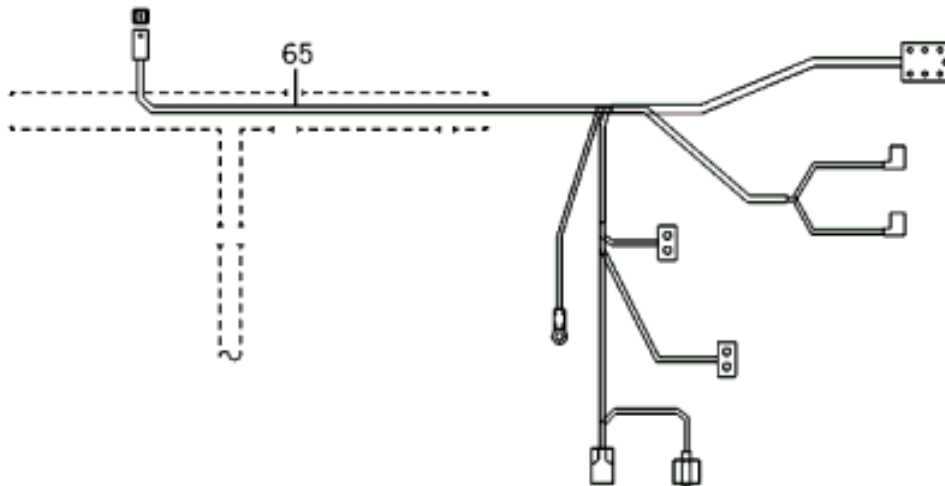
ADDITIONALPARTS PARTS FOR SPECIAL VEHICLES



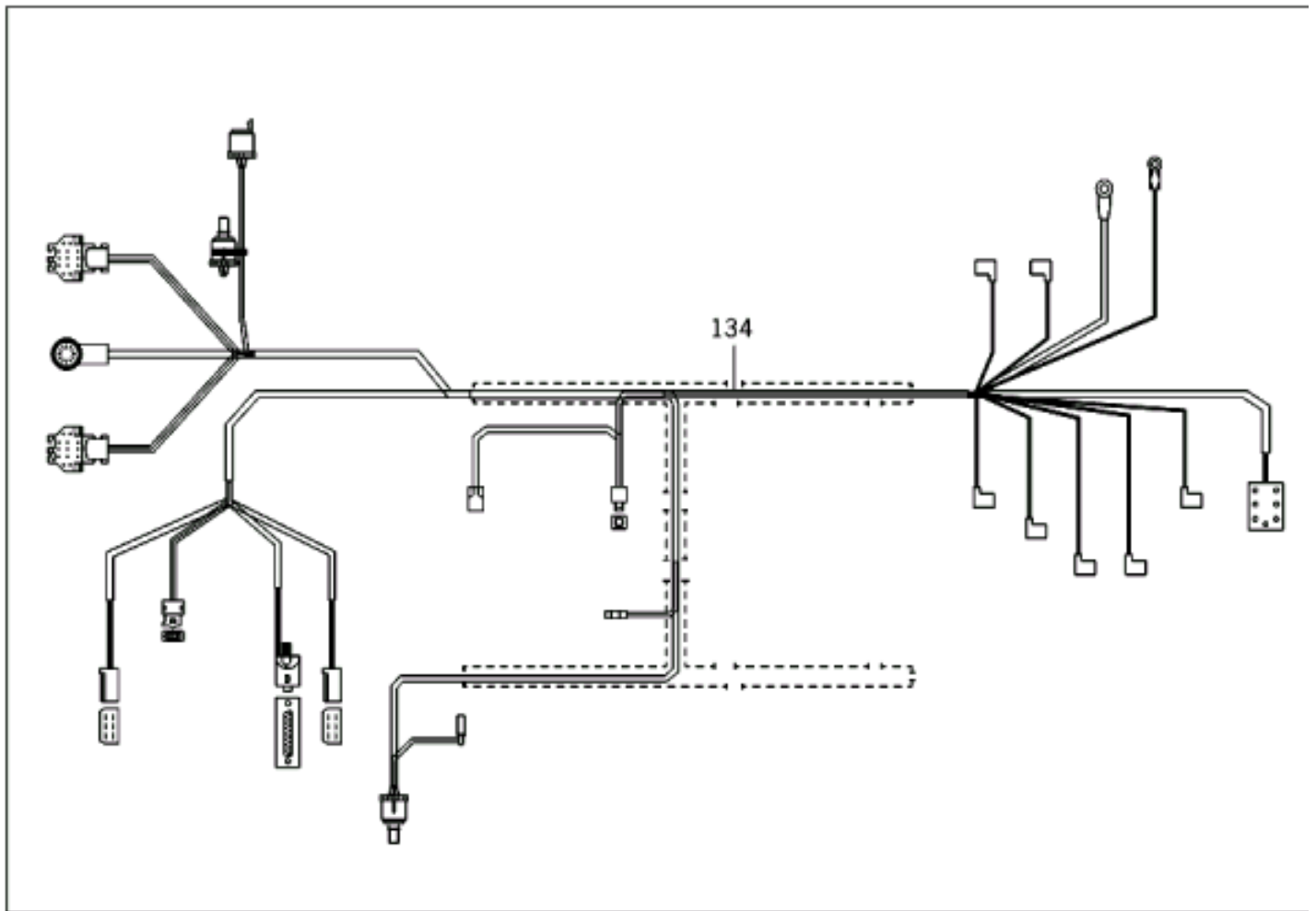
CABLE HARNESSSES FRAME FLOOR UNIT SPECIAL VEHICLES



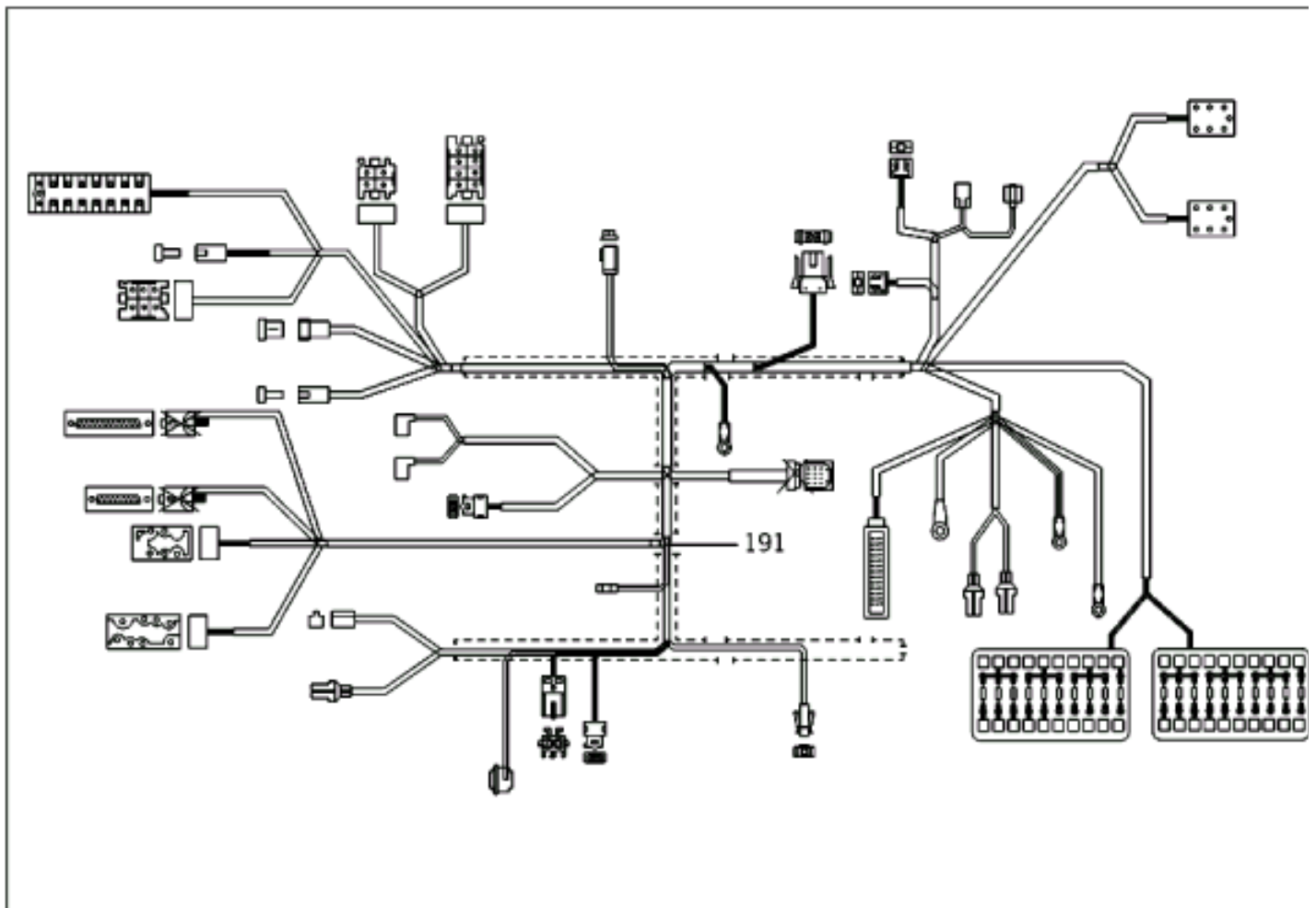
CABLE HARNESSSES FRAME FLOOR UNIT SPECIAL VEHICLES



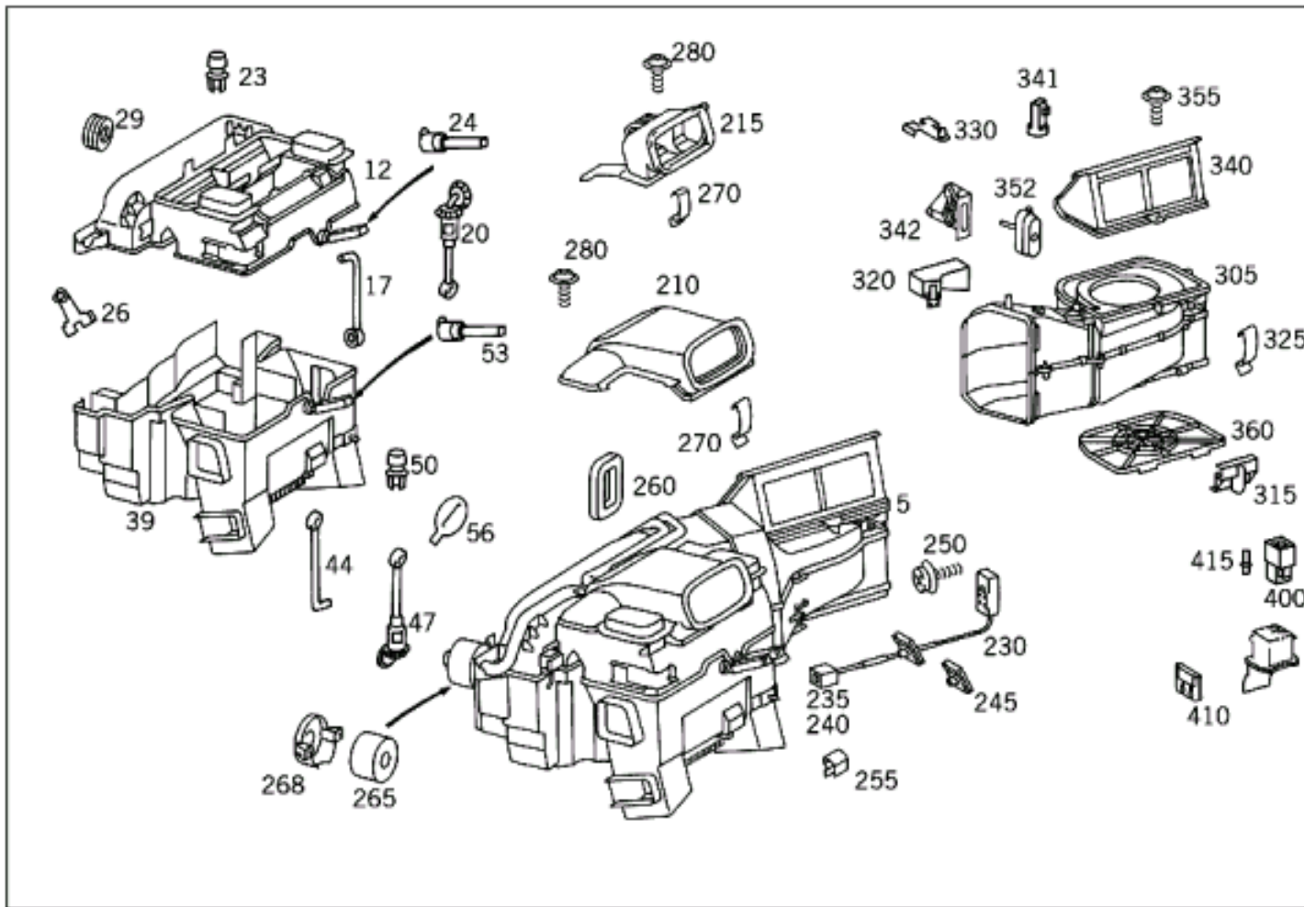
CABLE HARNESSES FRAME FLOOR UNIT SPECIAL VEHICLES



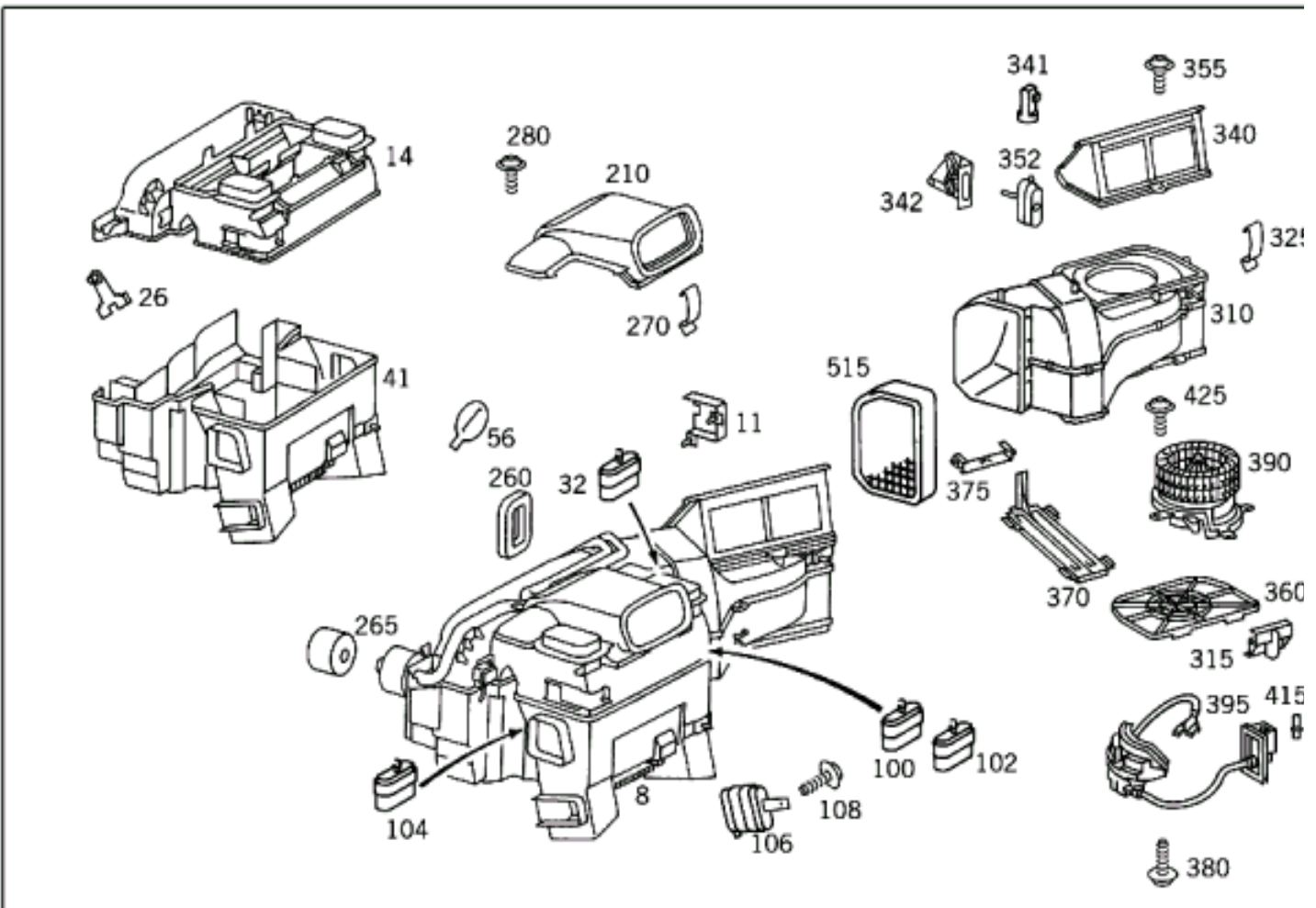
CABLE HARNESSES FRAME FLOOR UNIT SPECIAL VEHICLES



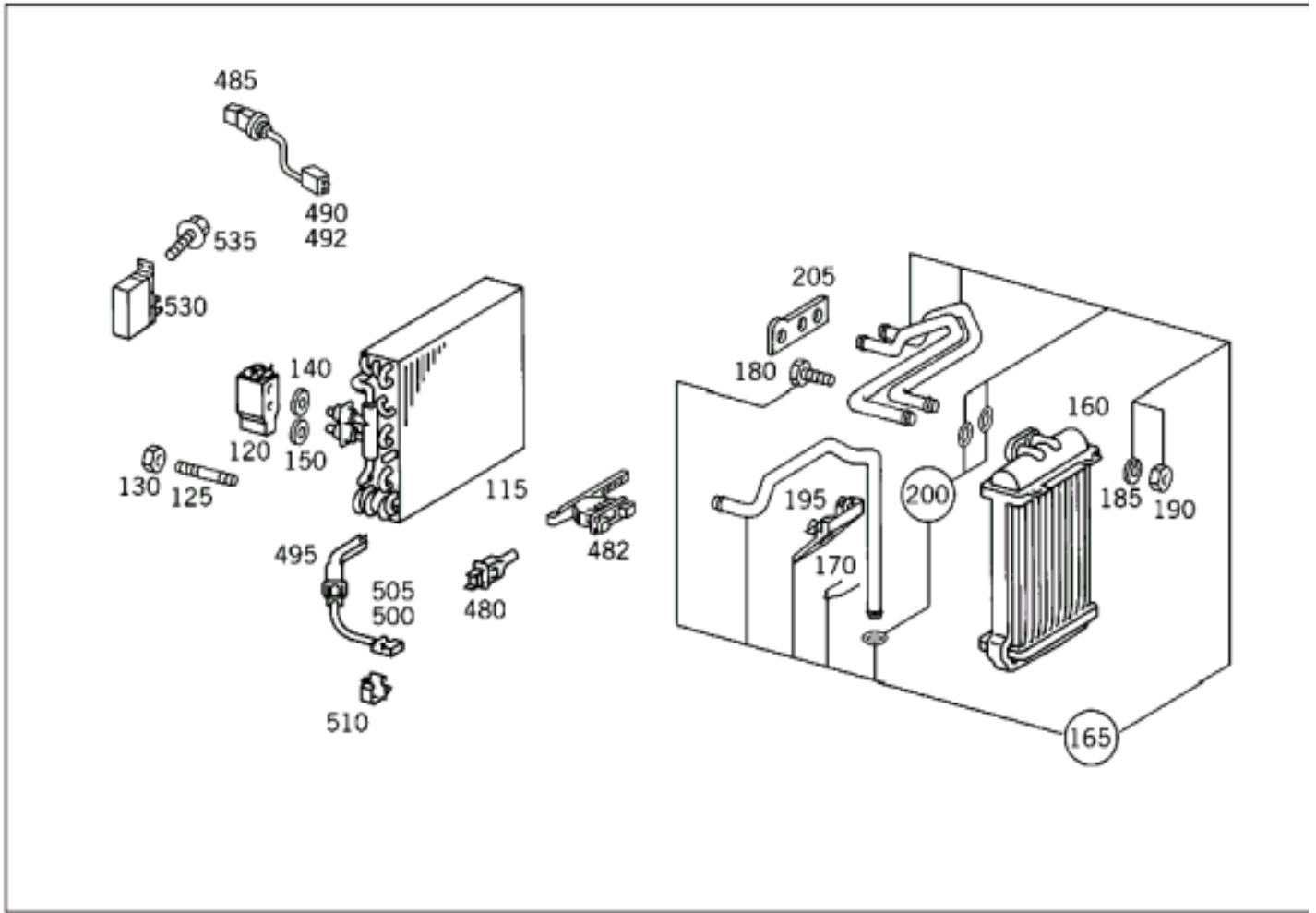
HEATER CASE WITH BLOWER



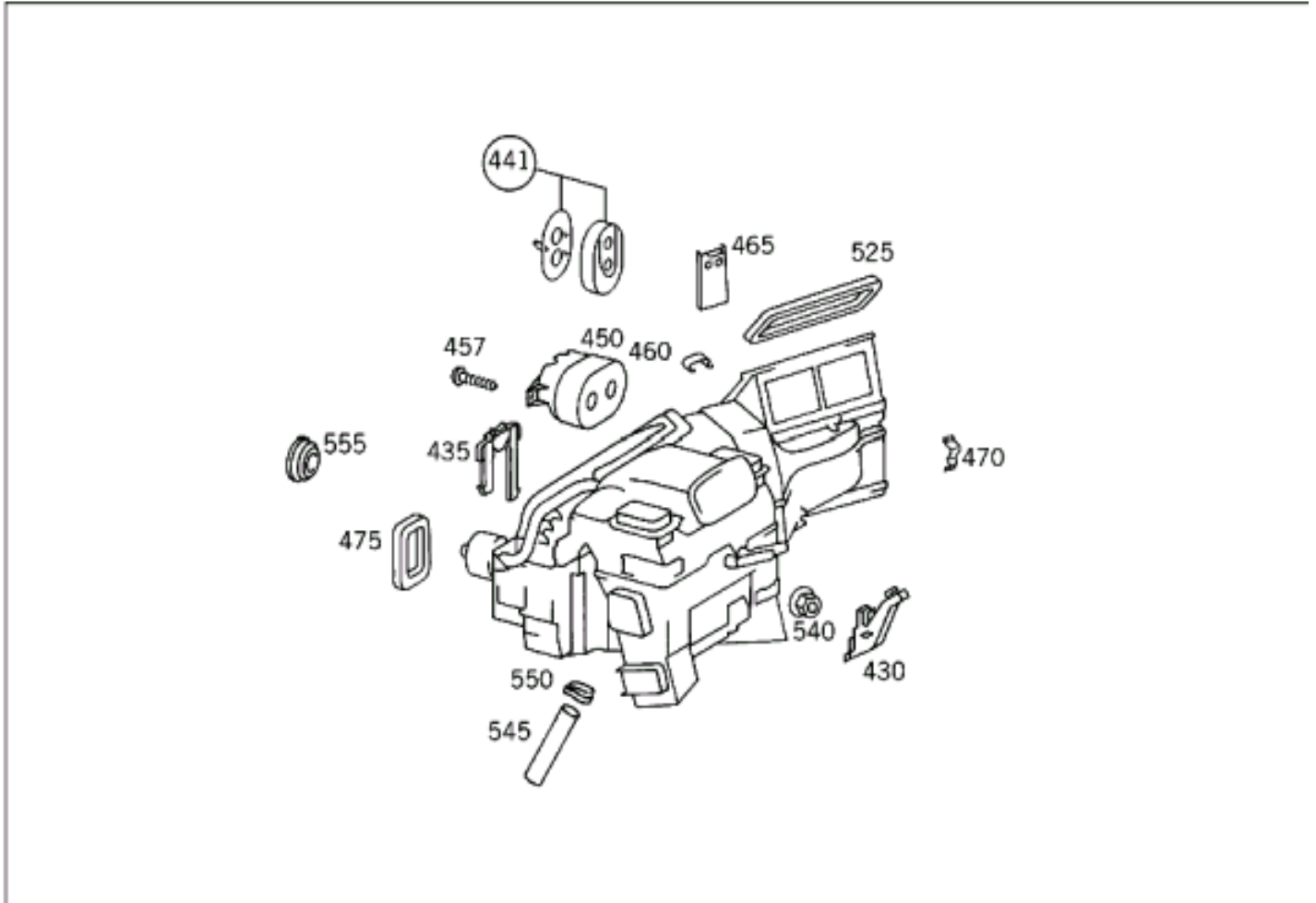
HEATER CASE WITH BLOWER



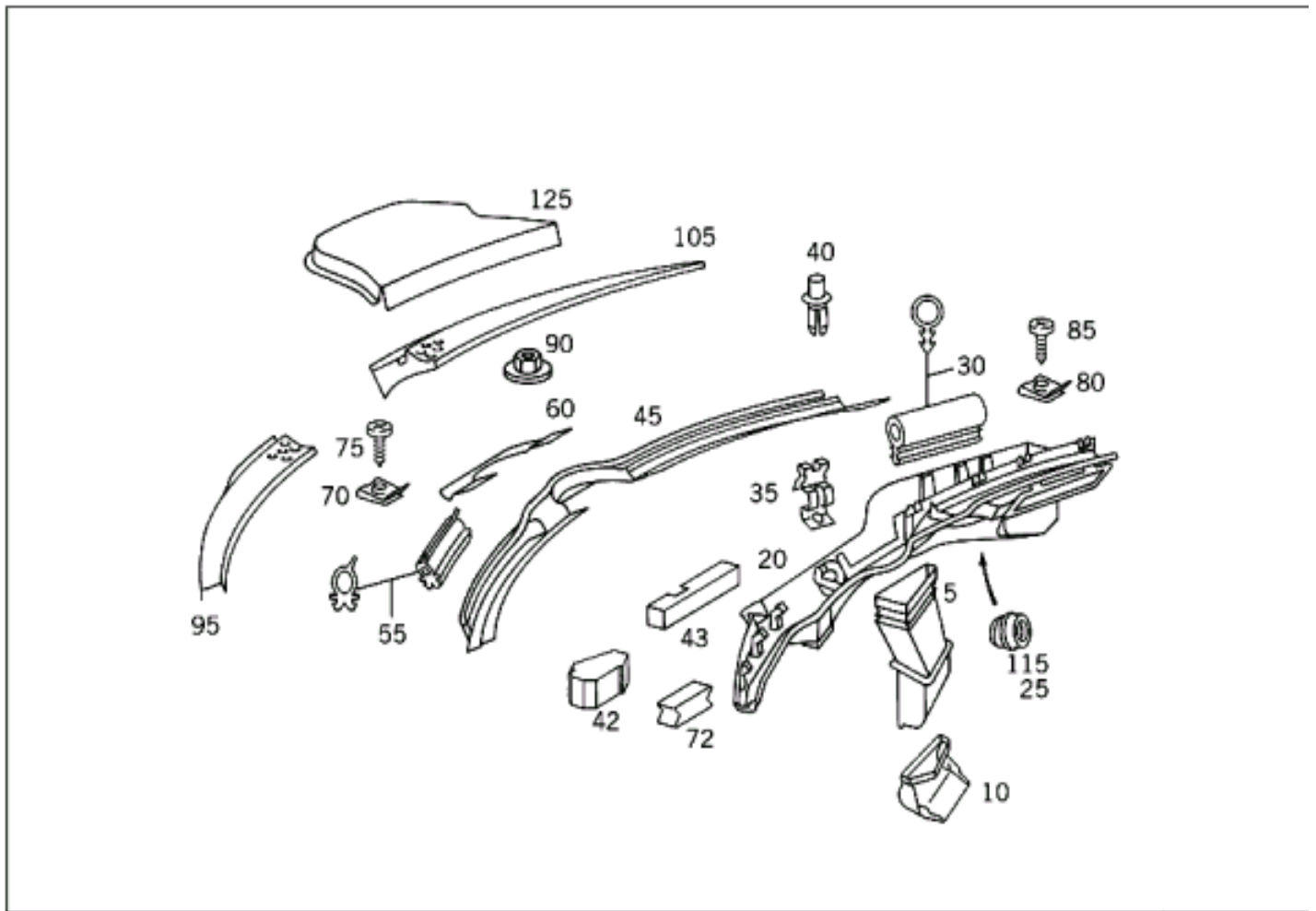
# HEATER CASE WITH BLOWER



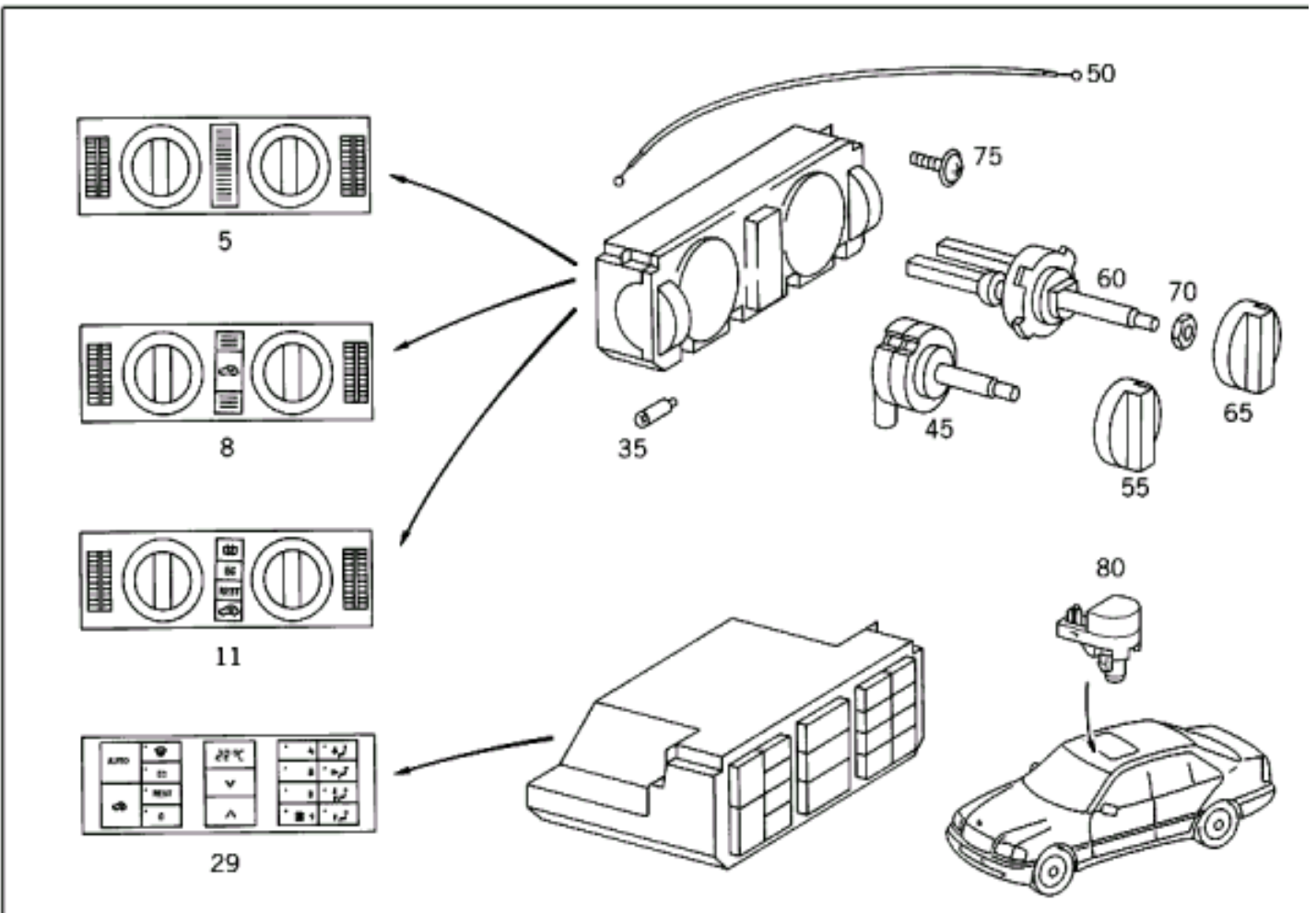
# HEATER CASE WITH BLOWER



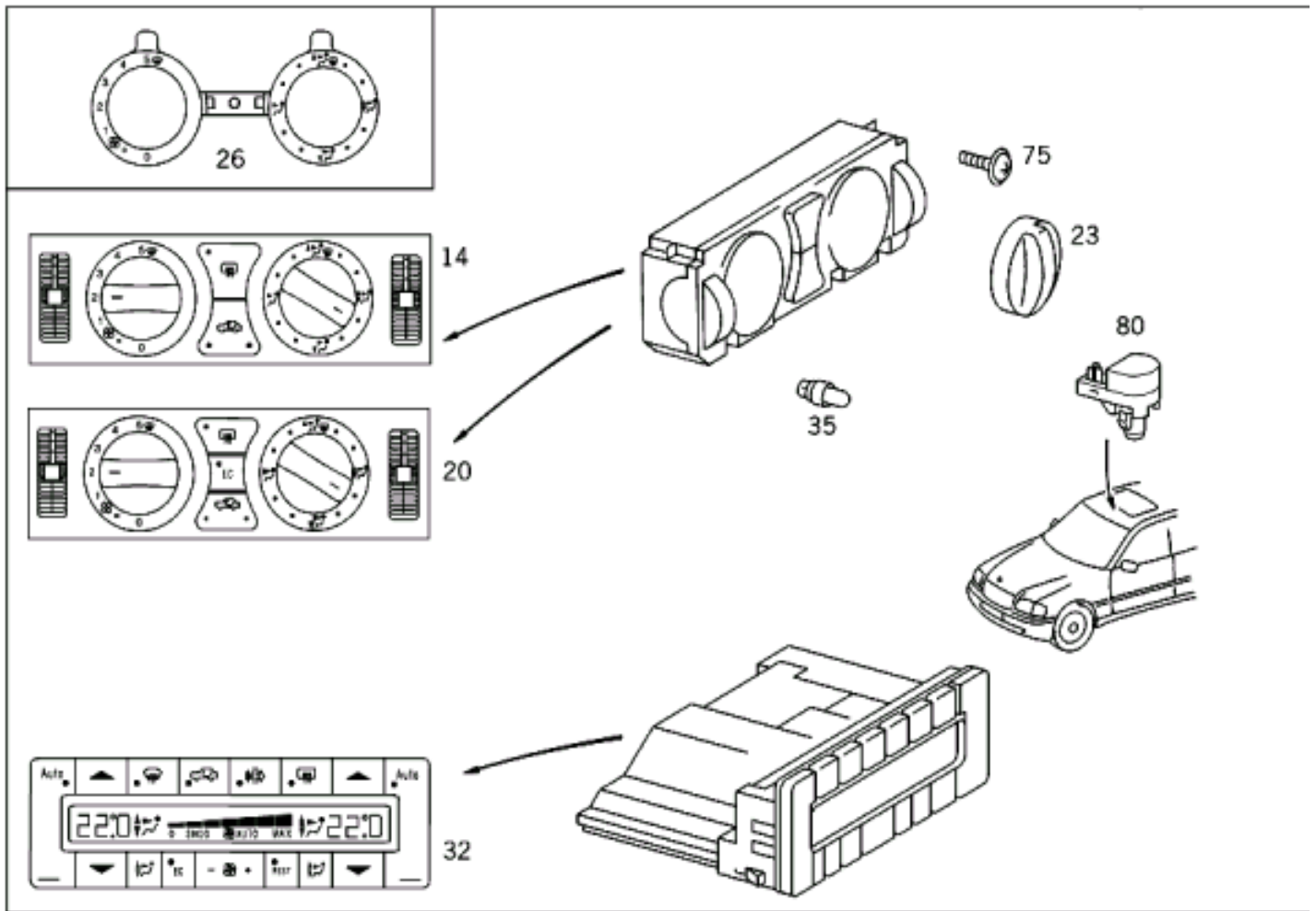
# WATER BAFFLE WITH INTAKE SHELL



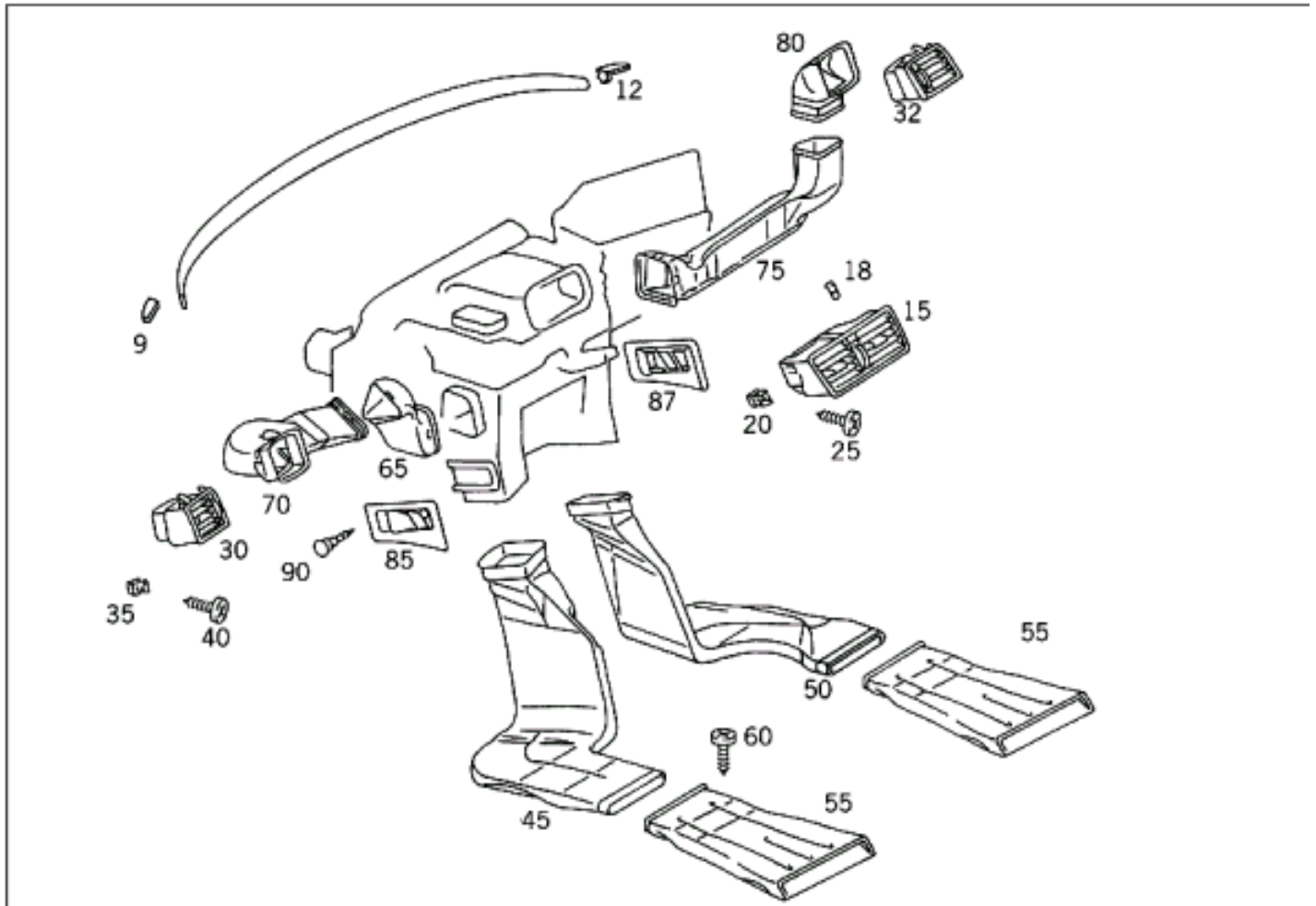
# HEATING/AIR-CONDITIONER OPERATING UNIT



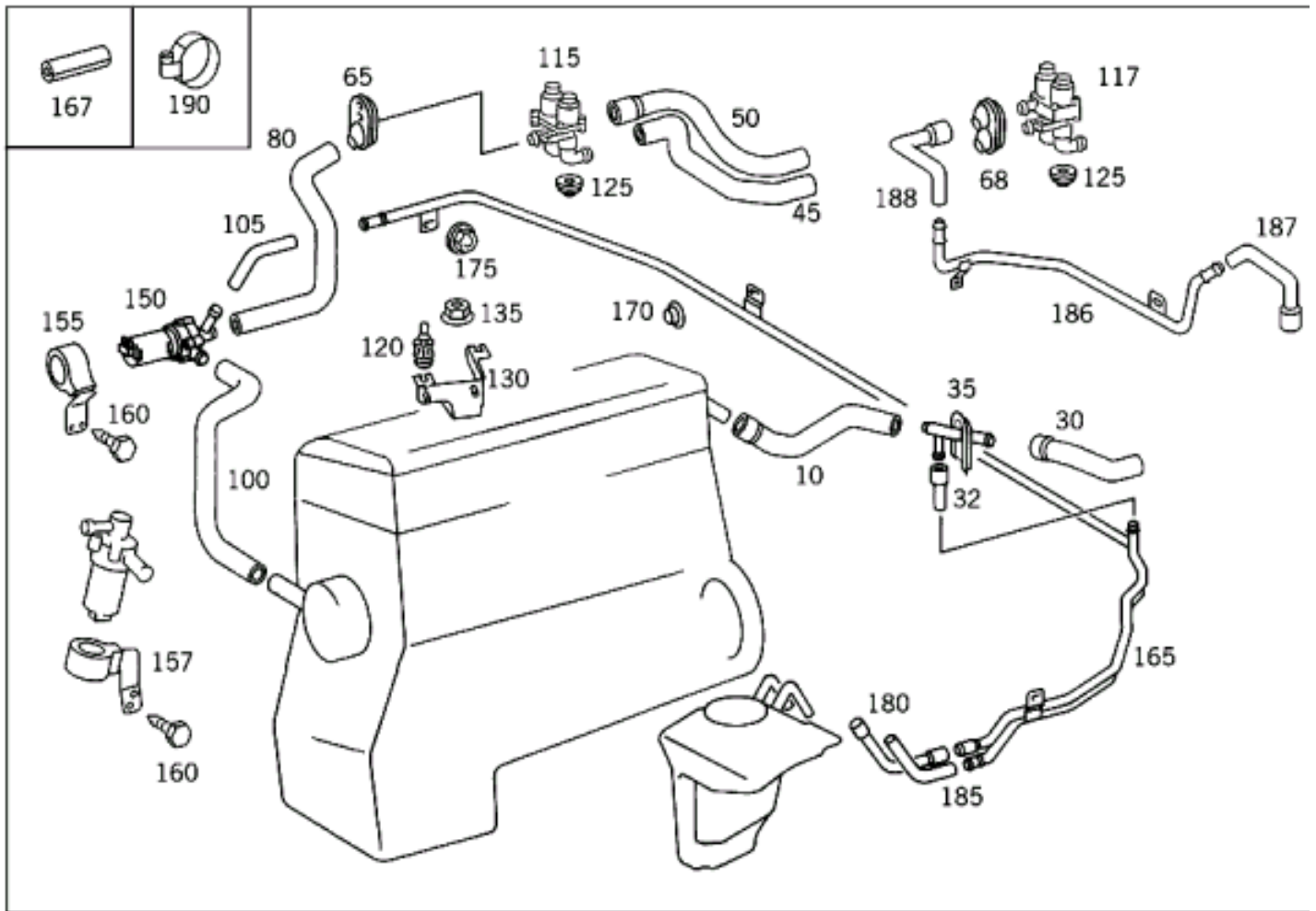
# HEATING/AIR-CONDITIONER OPERATING UNIT



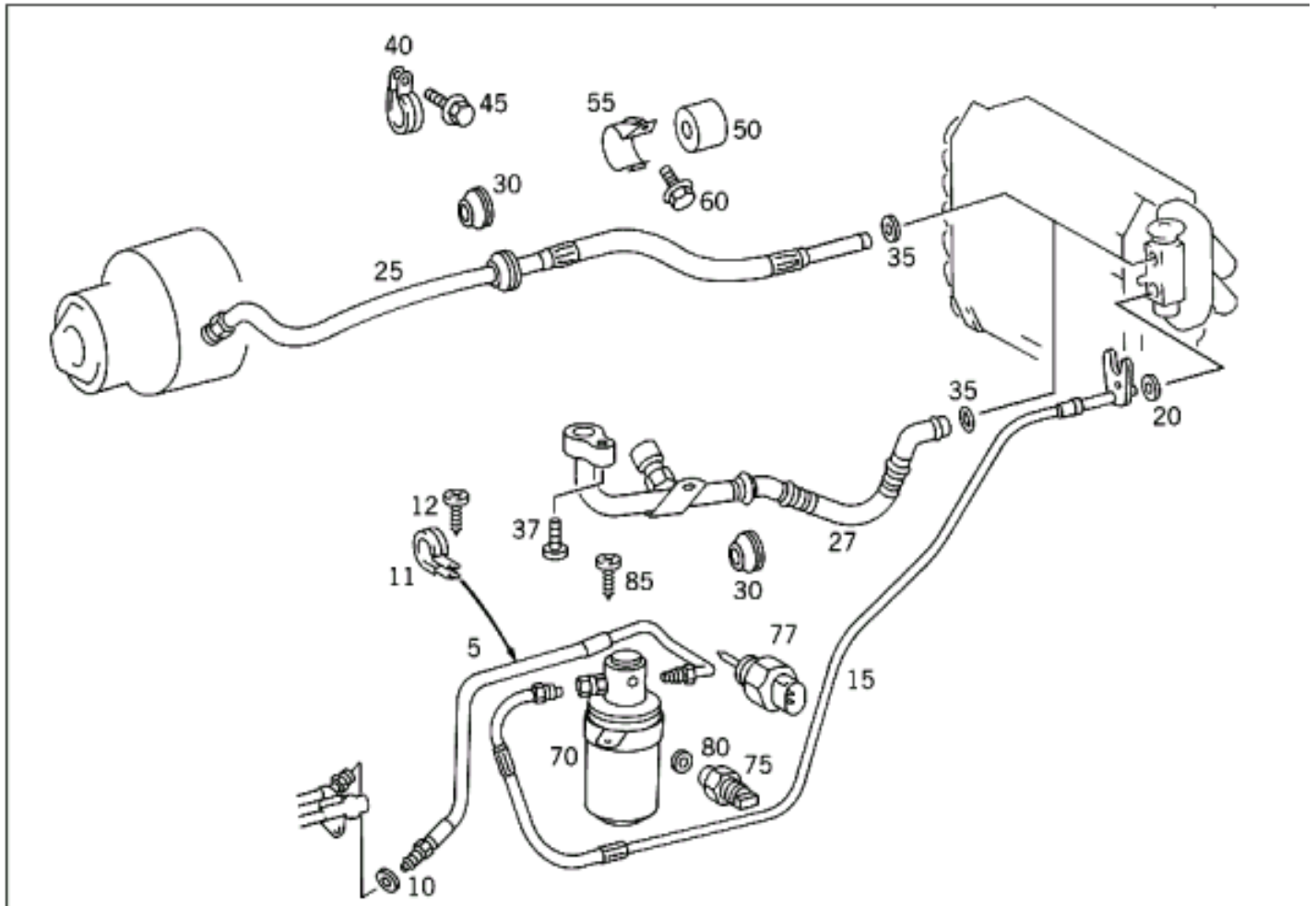
# AIR GUIDE



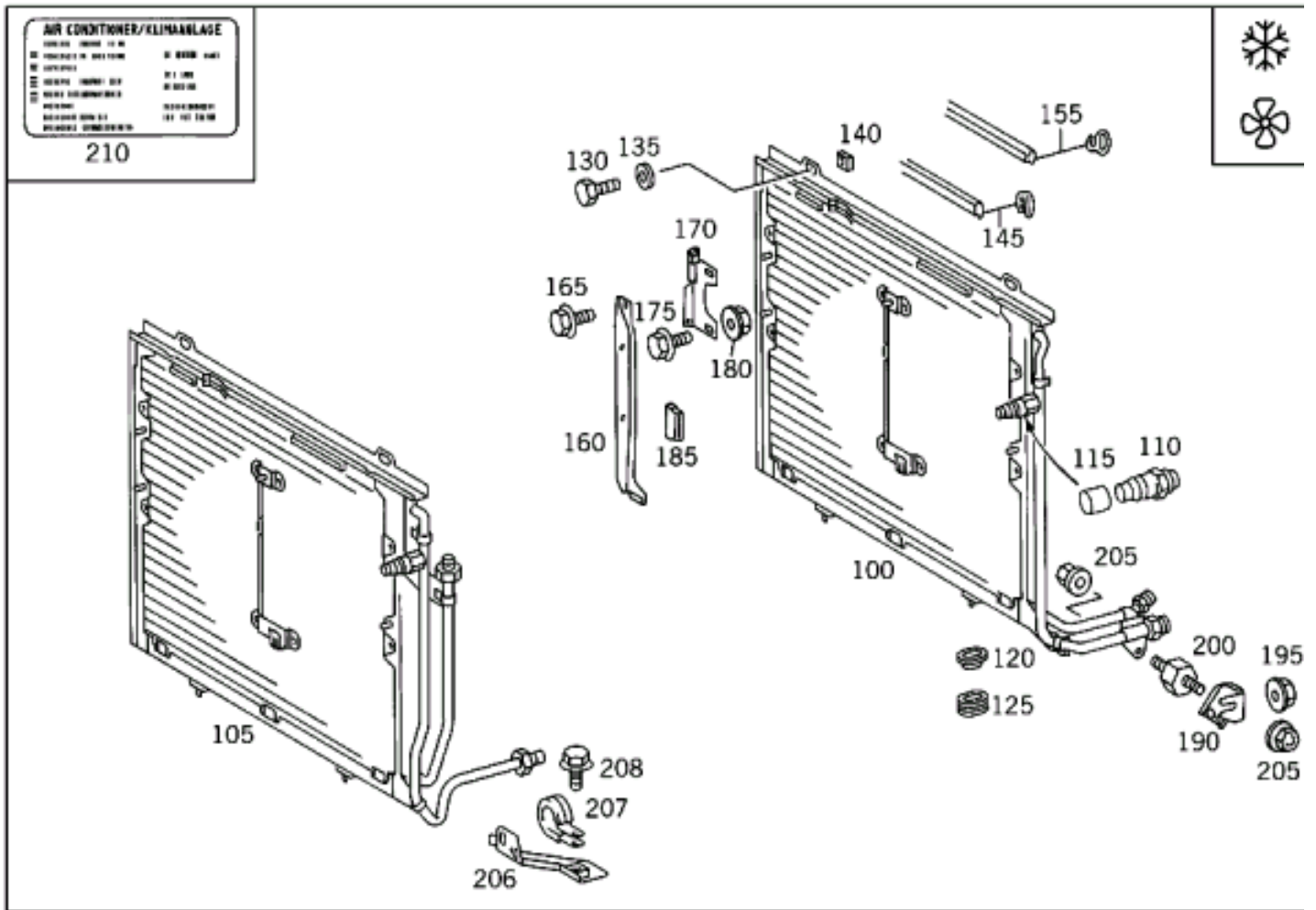
# HEATING WATER CONNECTION



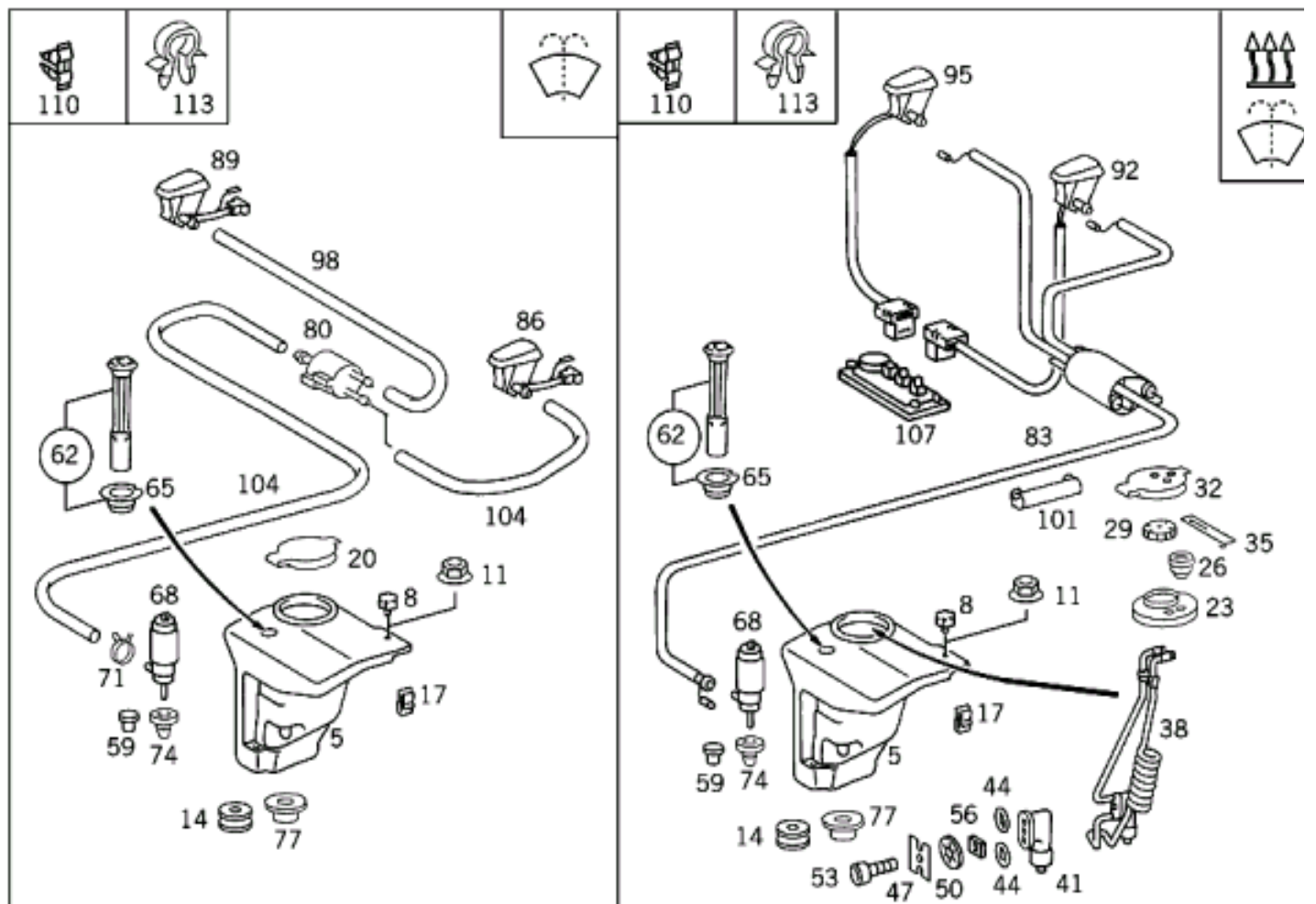
# REFRIGERANT LINE ARRANGEMENT



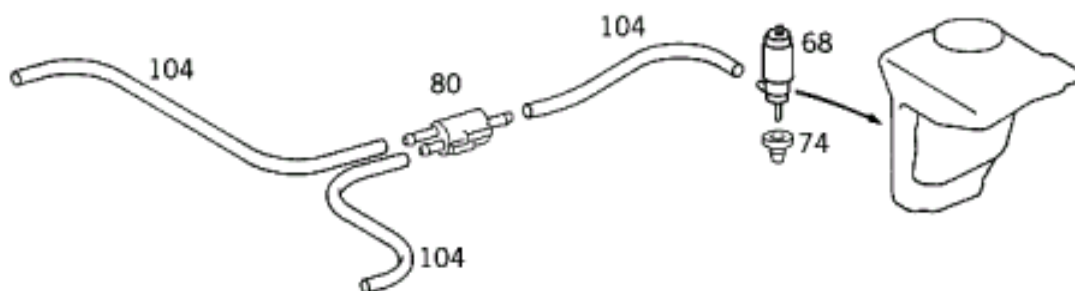
# REFRIGERANT LINE ARRANGEMENT



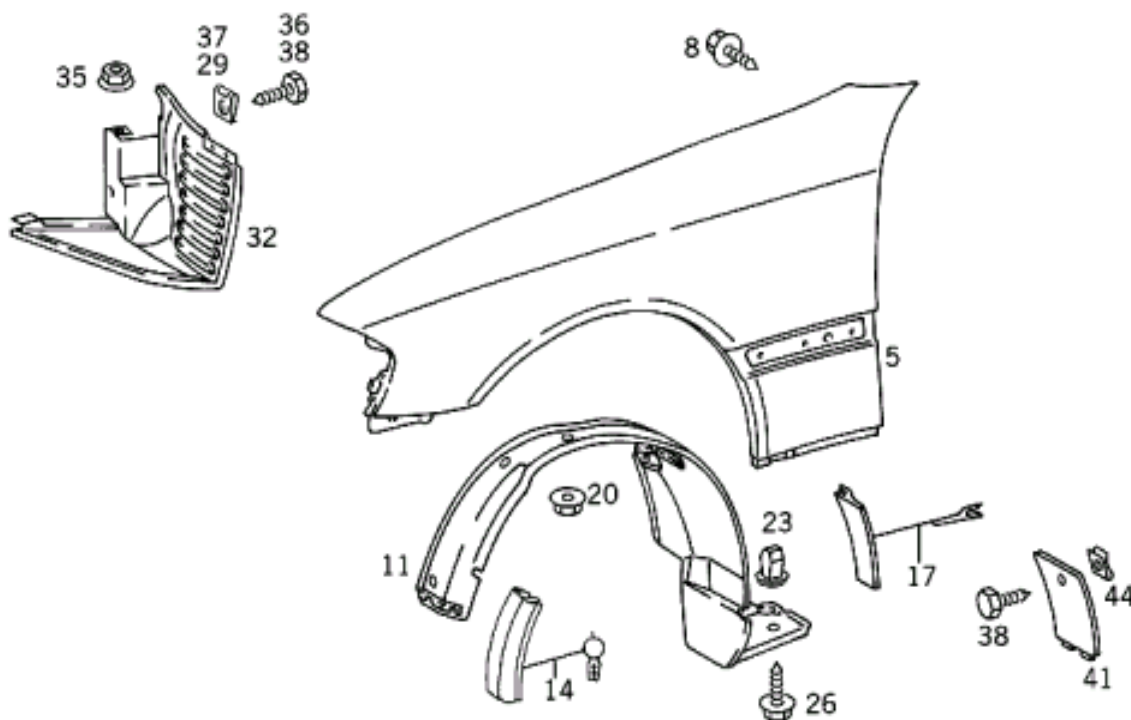
# WINDSHIELD WASHER, HEADLAMP WIPER/WASHER



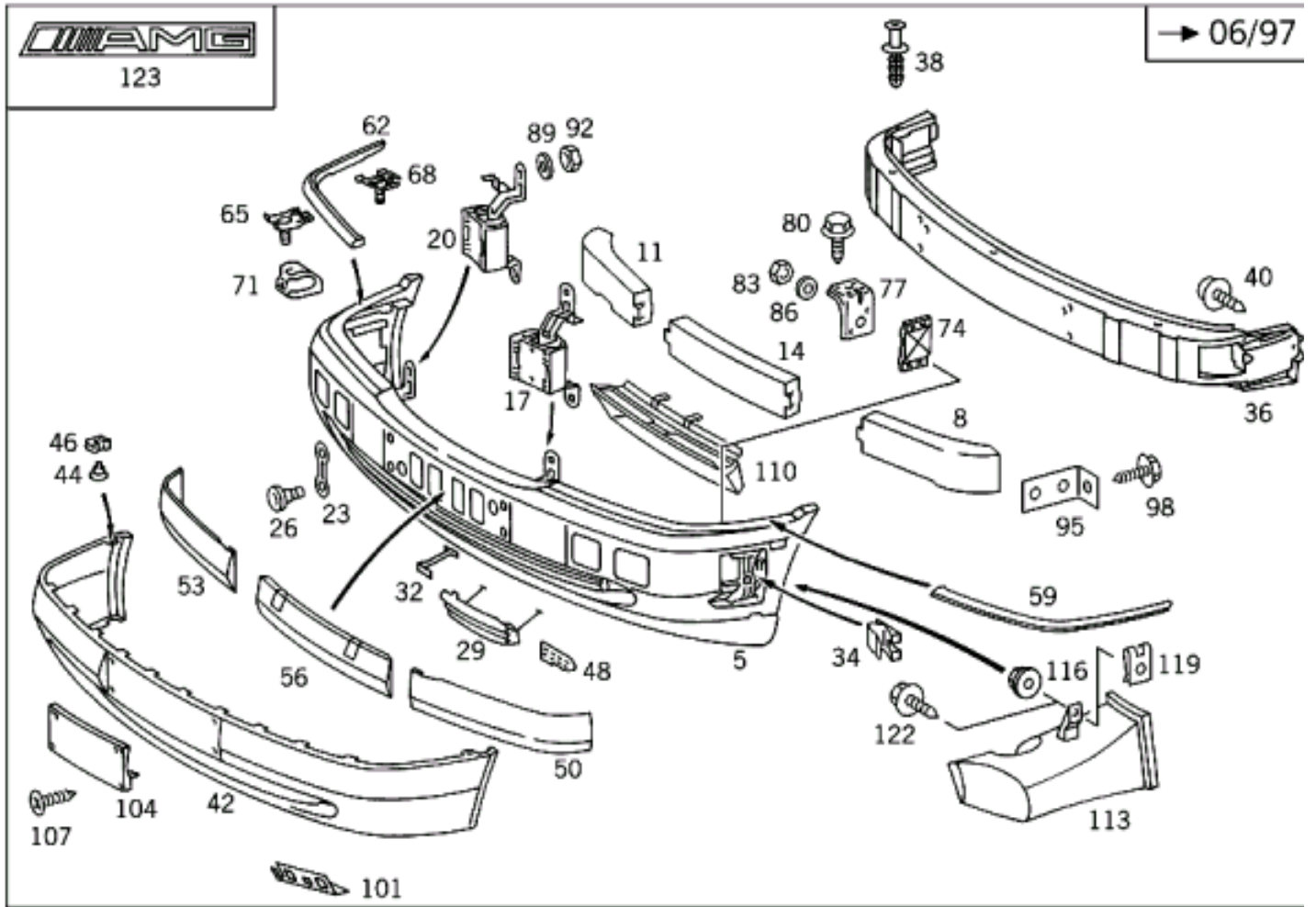
WINDSHIELD WASHER, HEADLAMP WIPER/WASHER



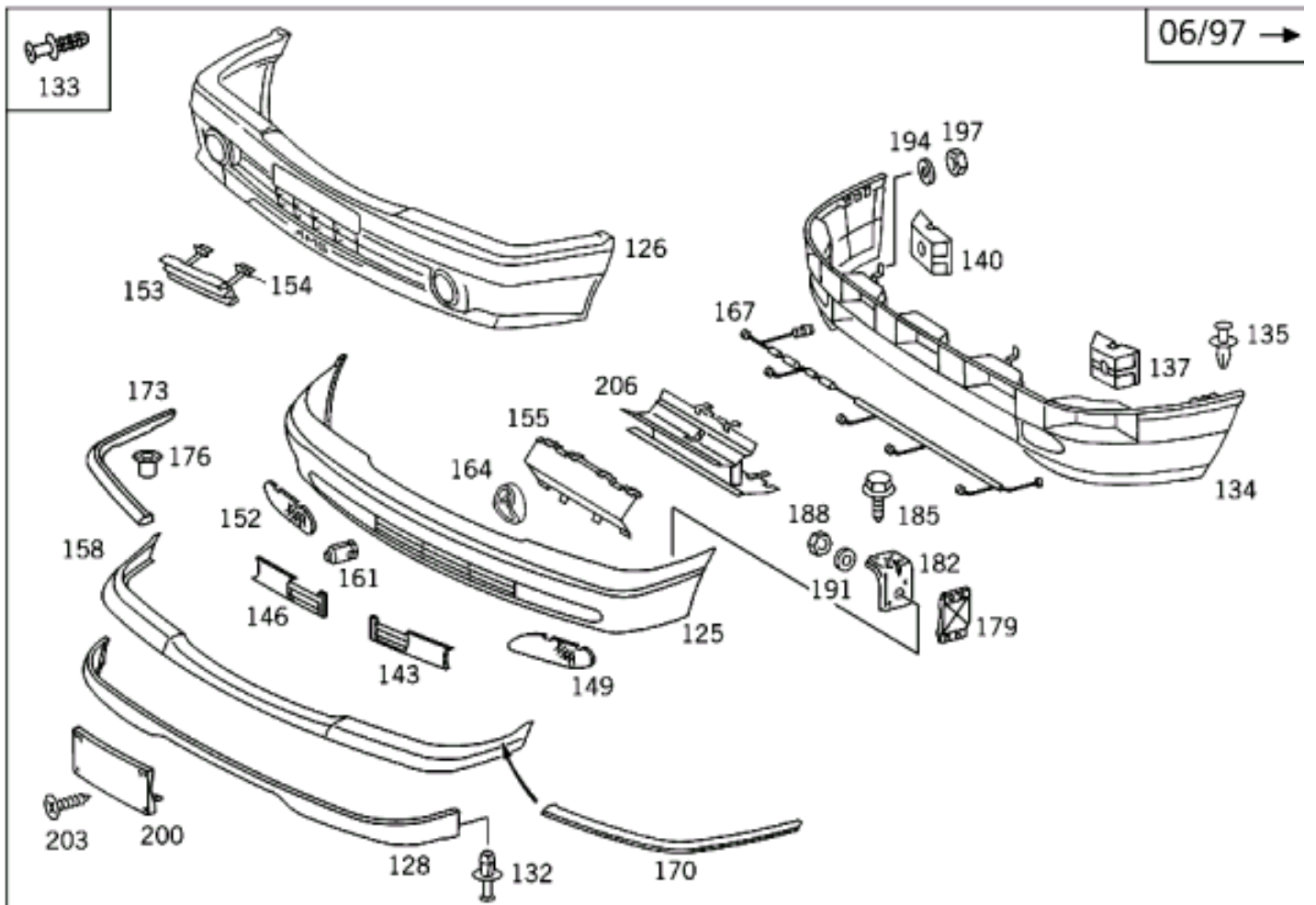
FRONT FENDER



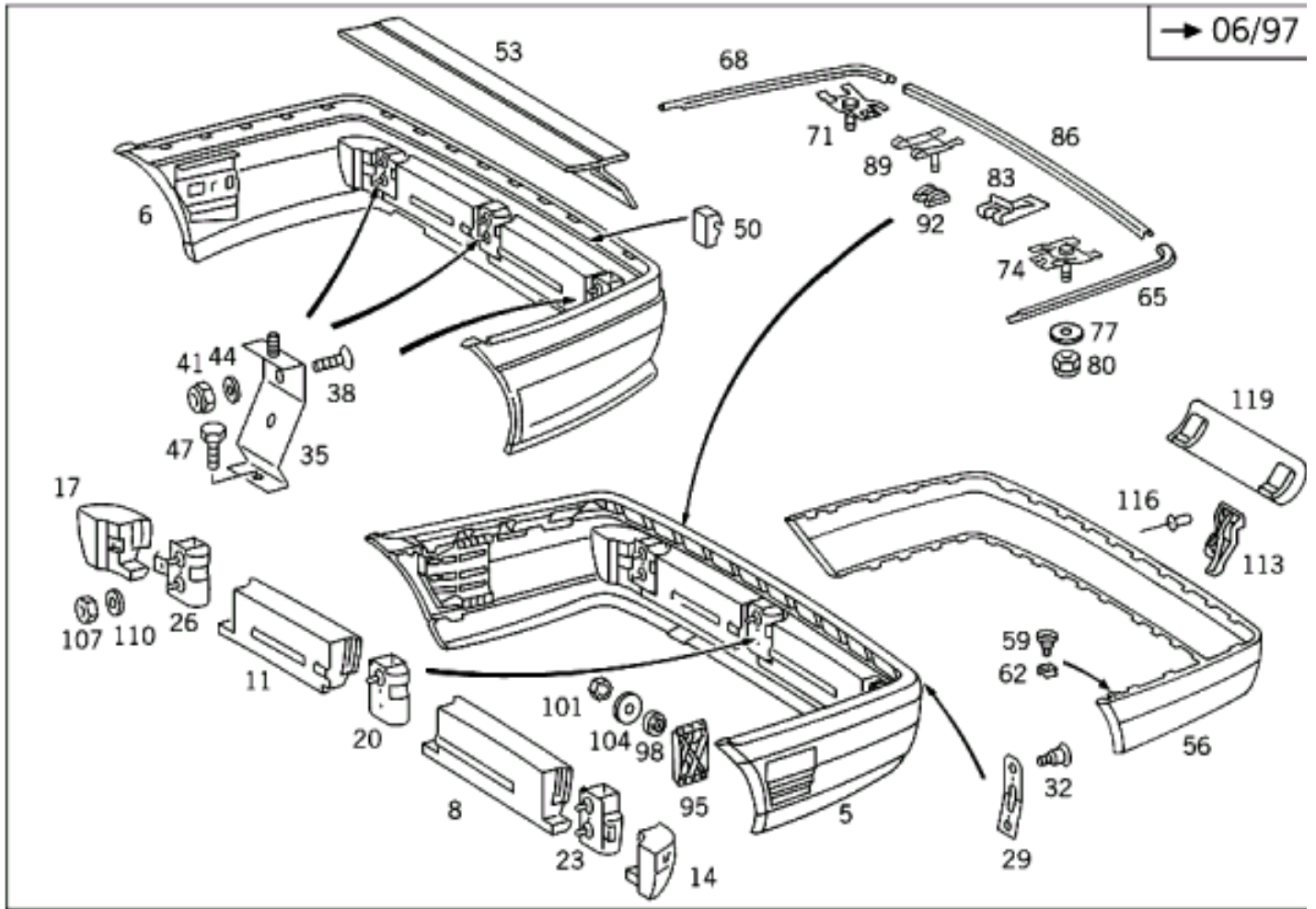
FRONT BUMPER



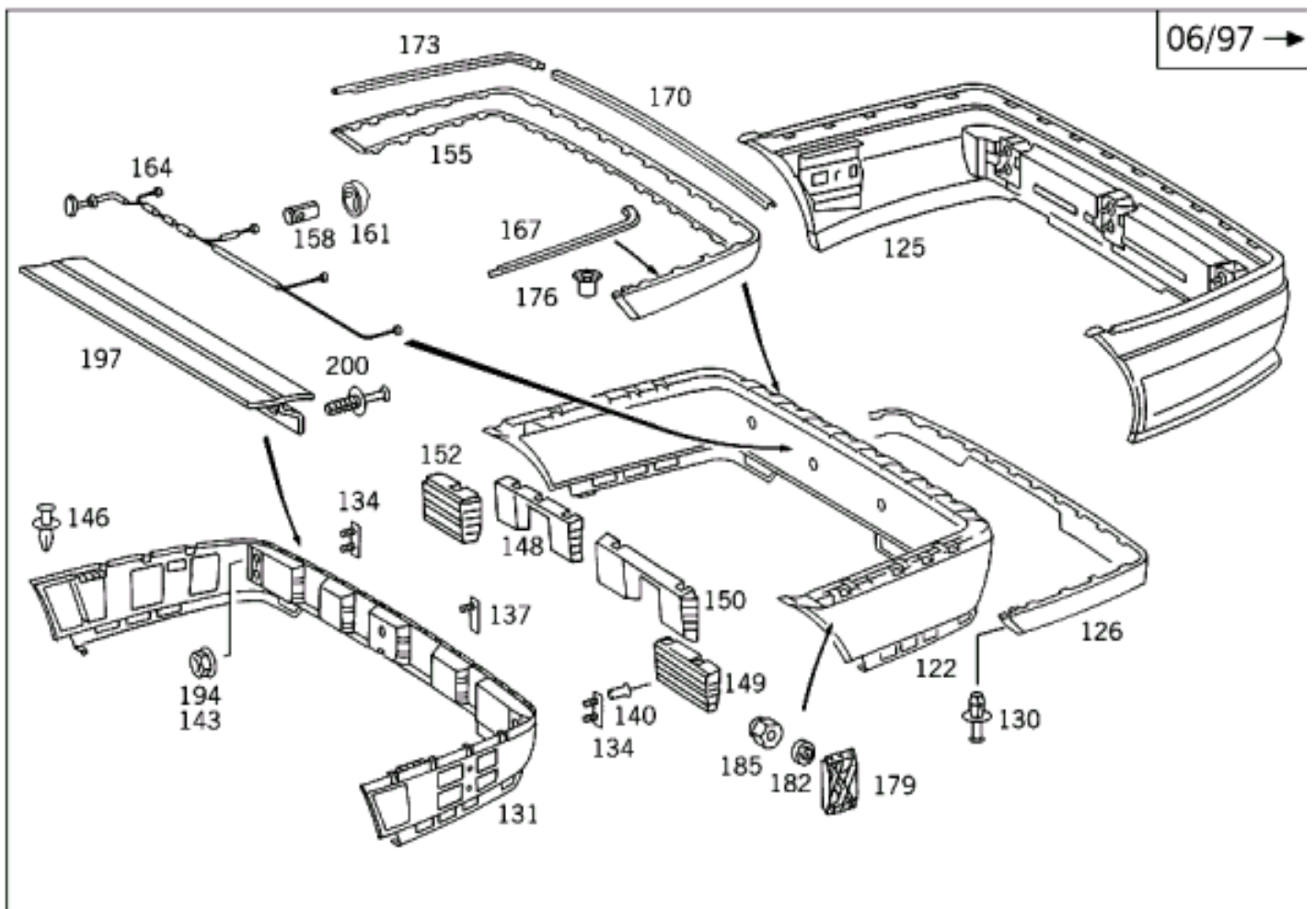
FRONT BUMPER



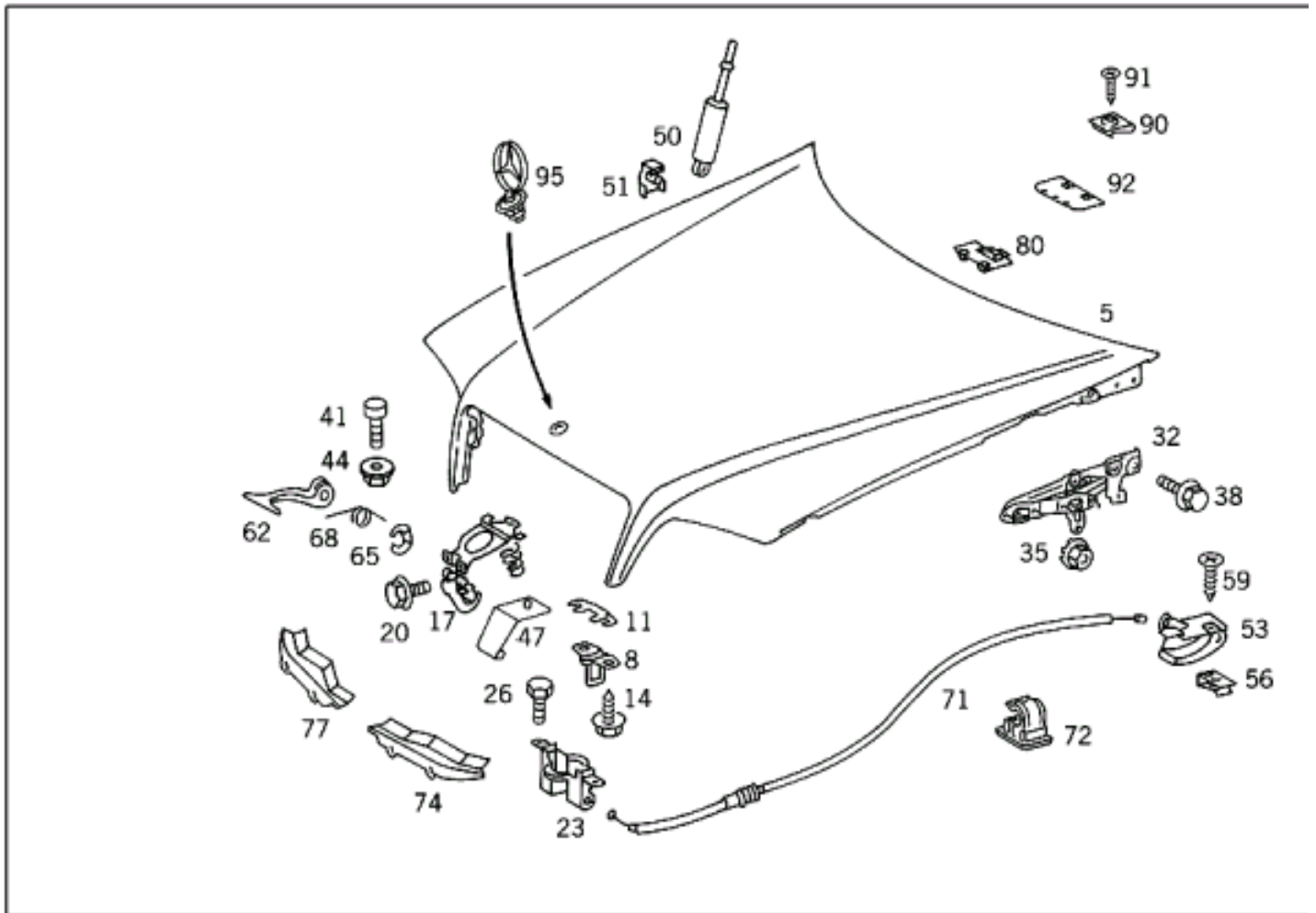
# REAR BUMPER



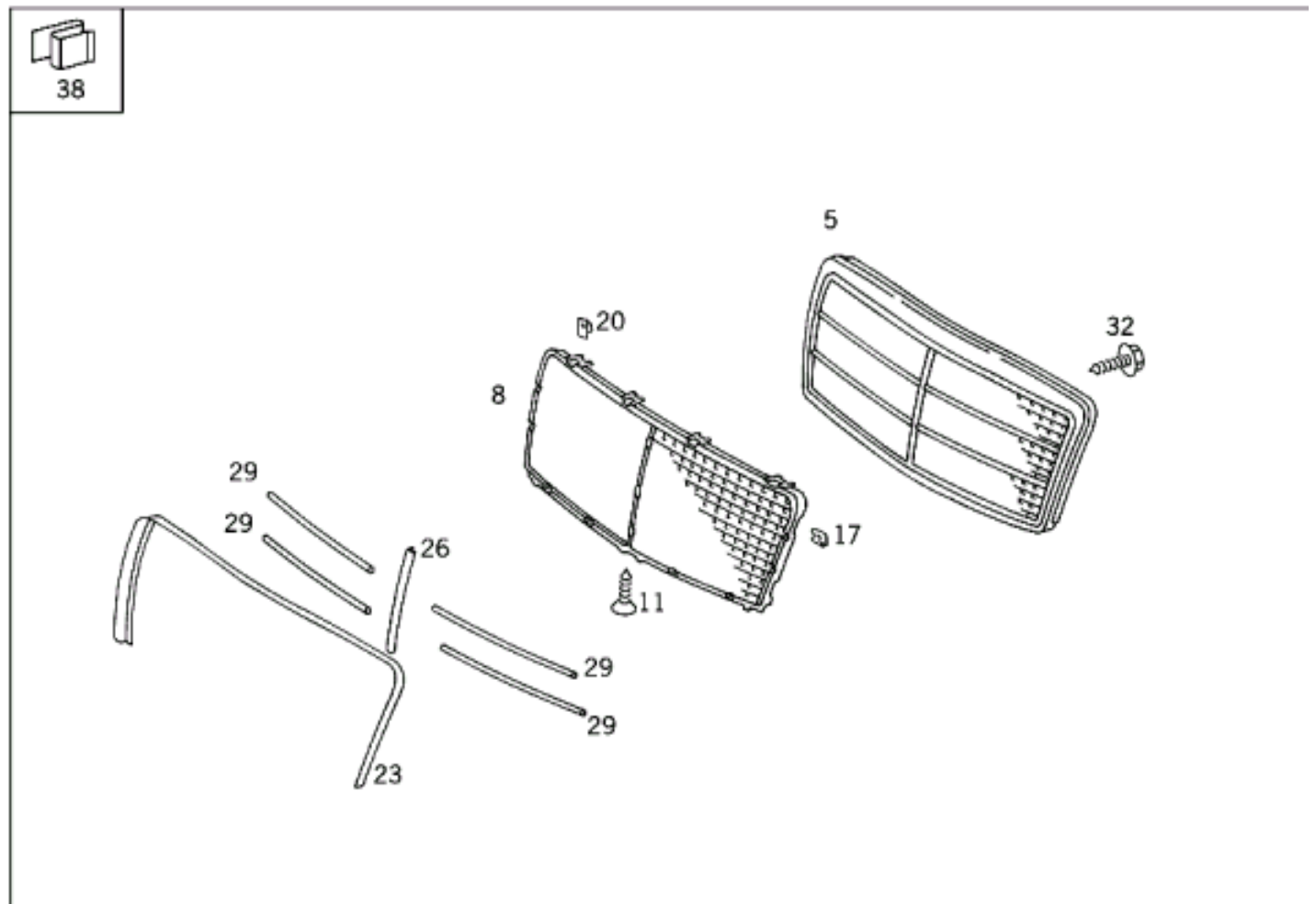
# REAR BUMPER



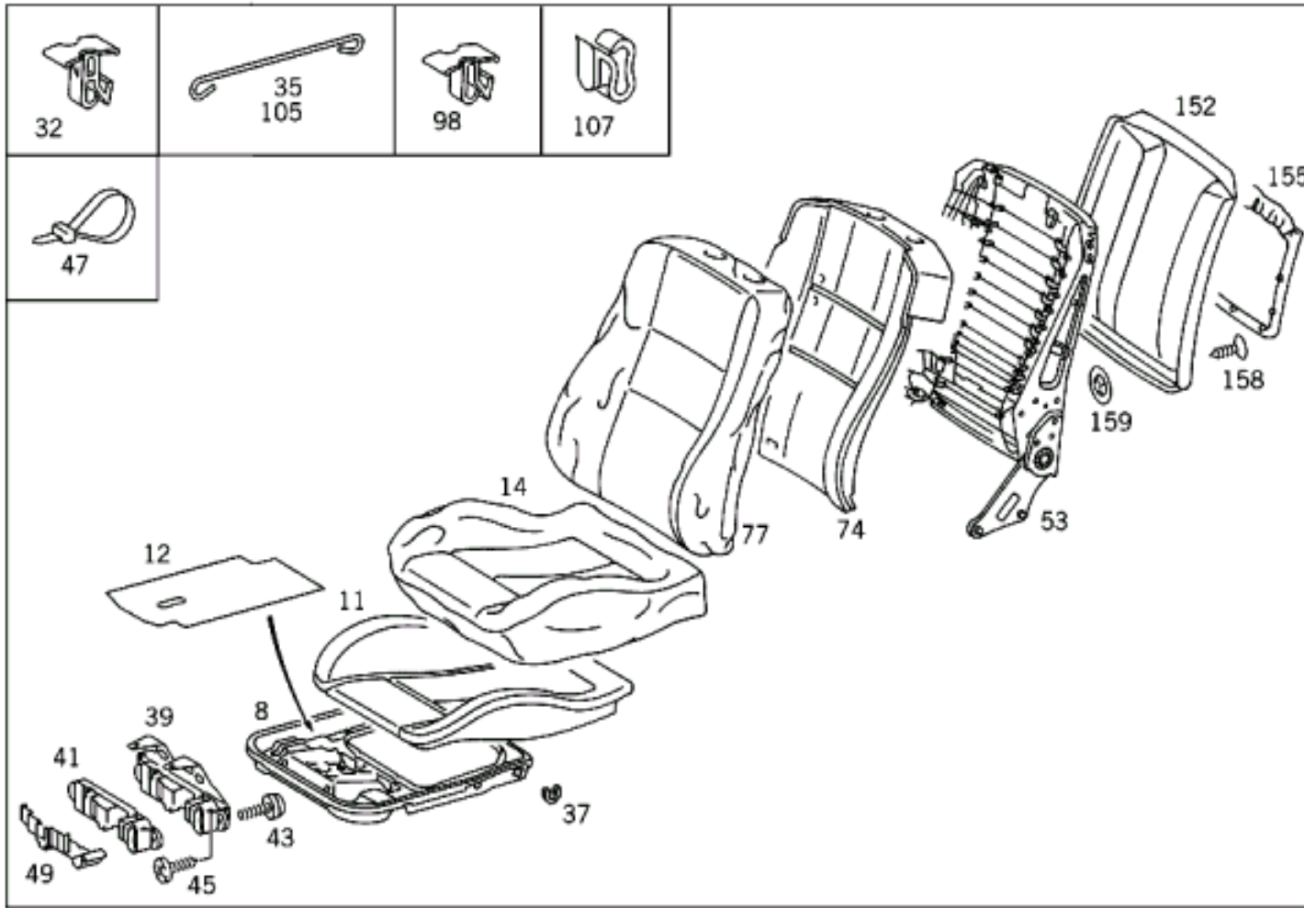
# ENGINE HOOD



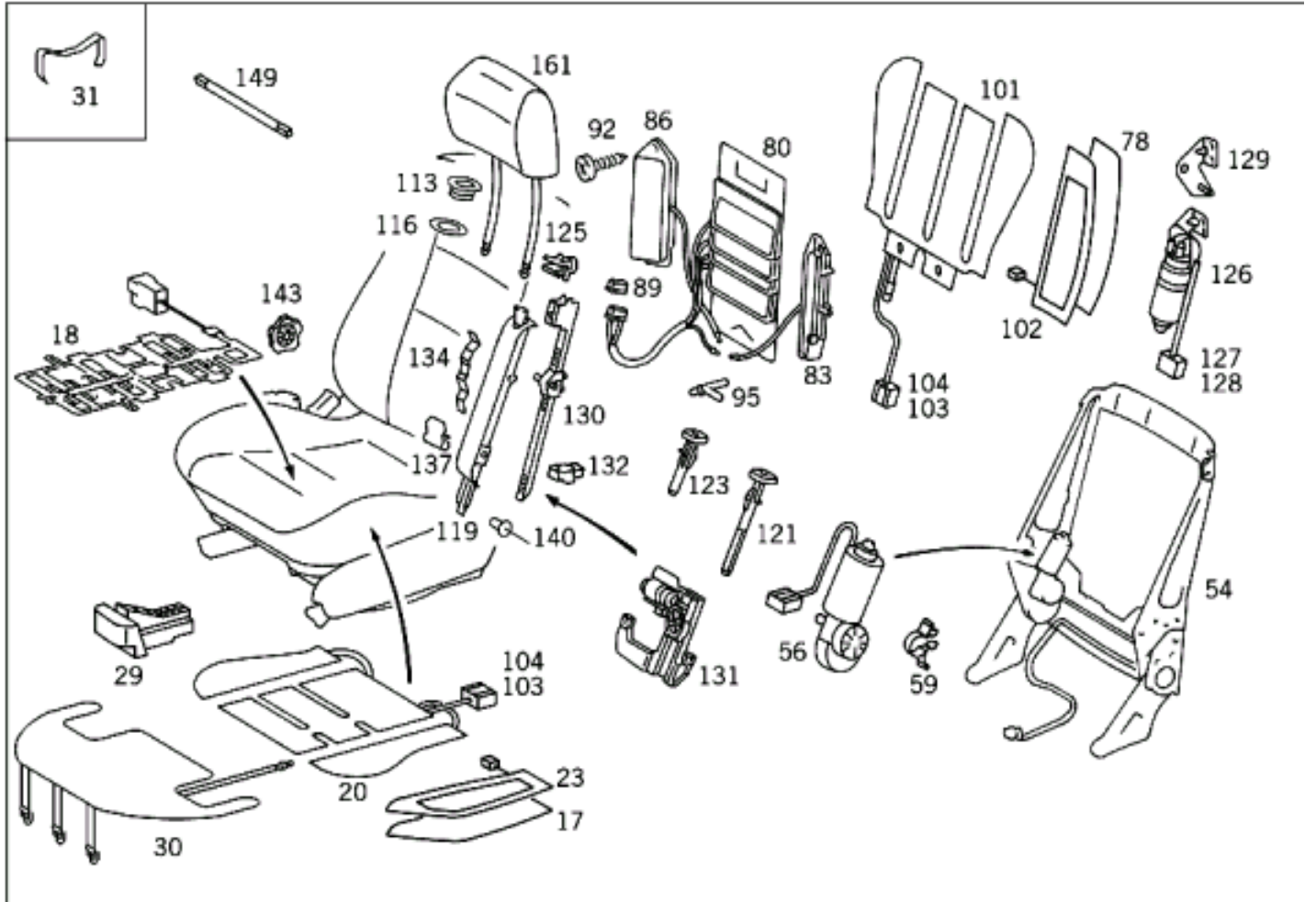
# RADIATOR GRILLE SHELL



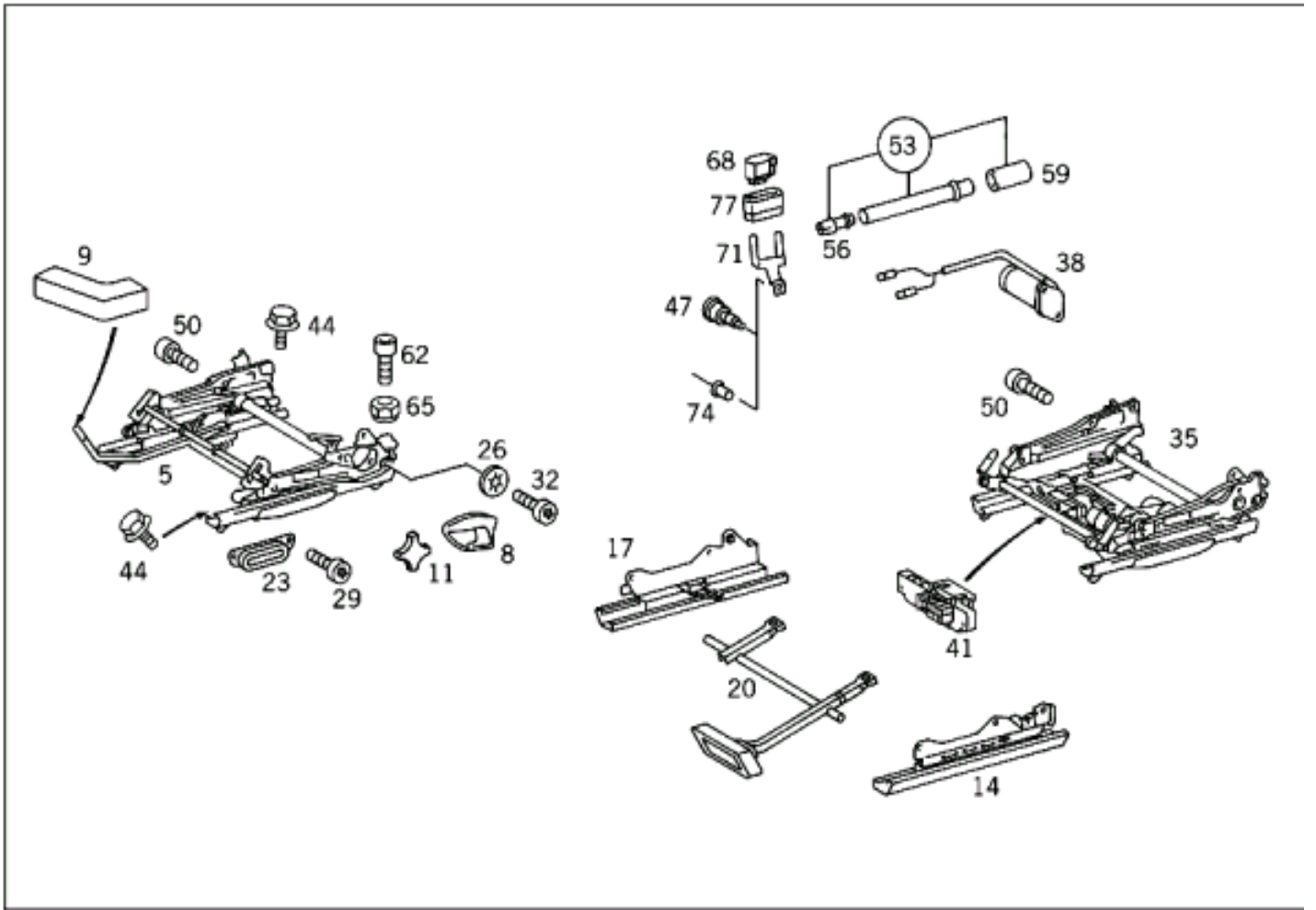
FRONT SEAT AND HEADREST



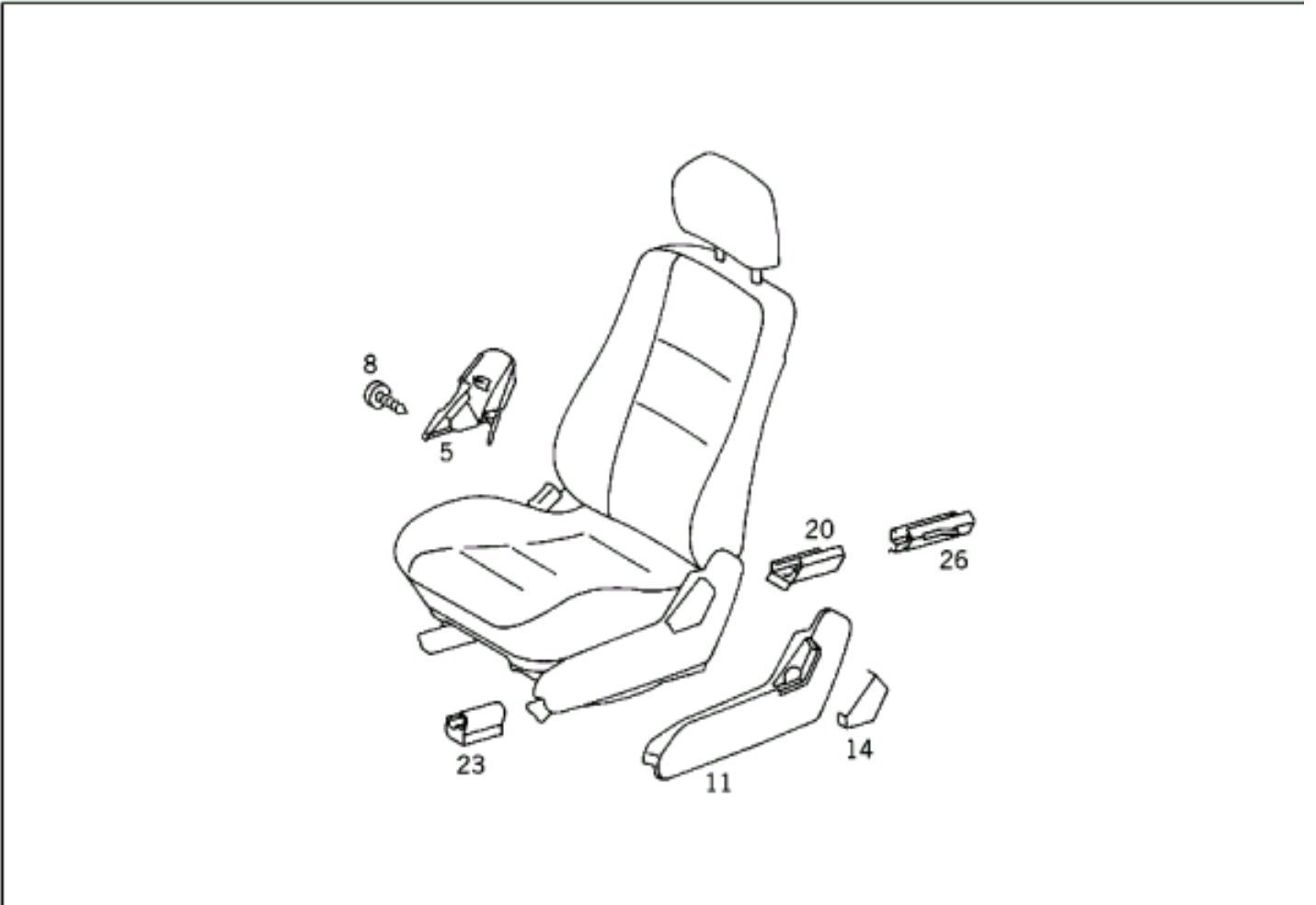
FRONT SEAT AND HEADREST



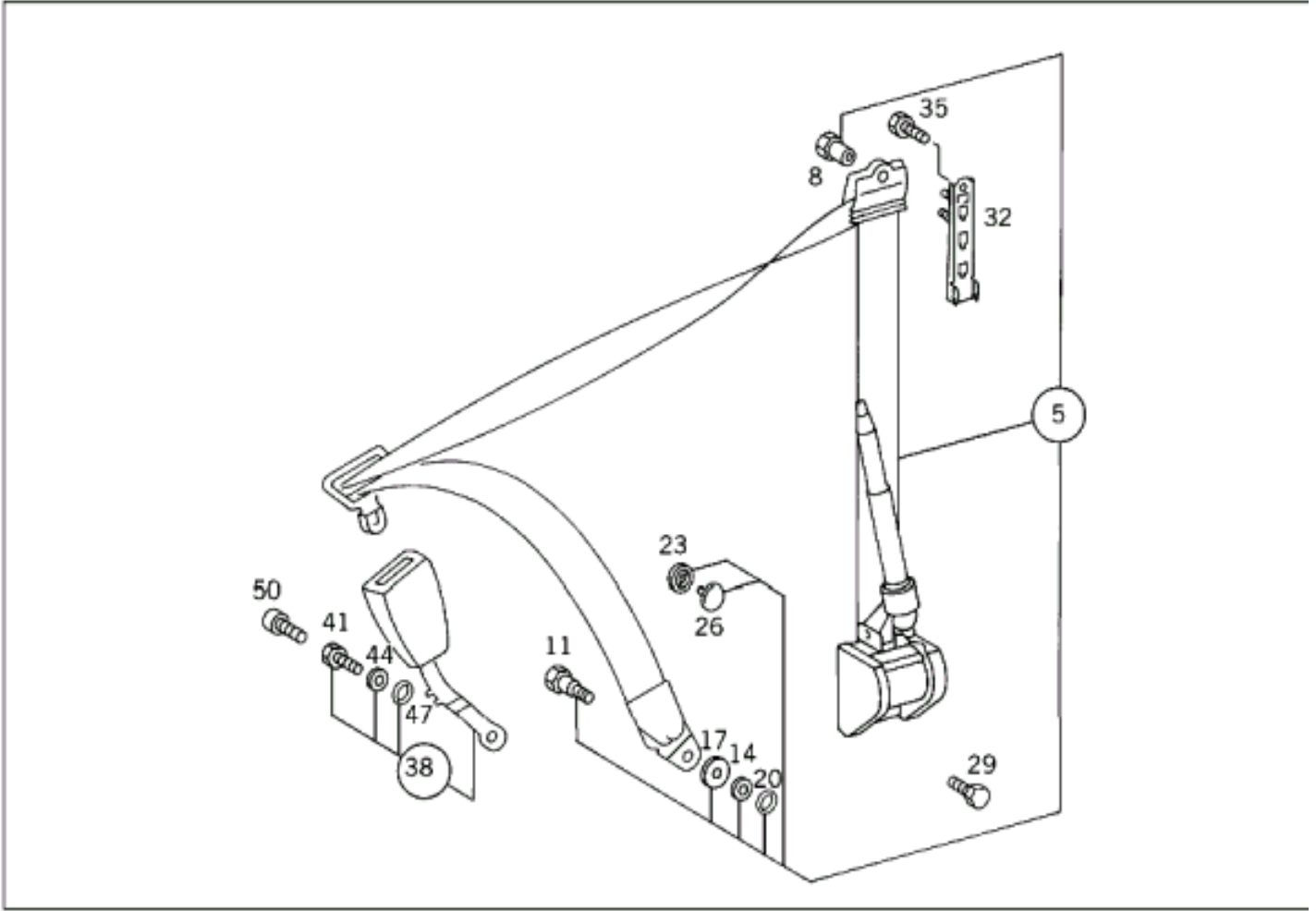
## SEAT ADJUSTER



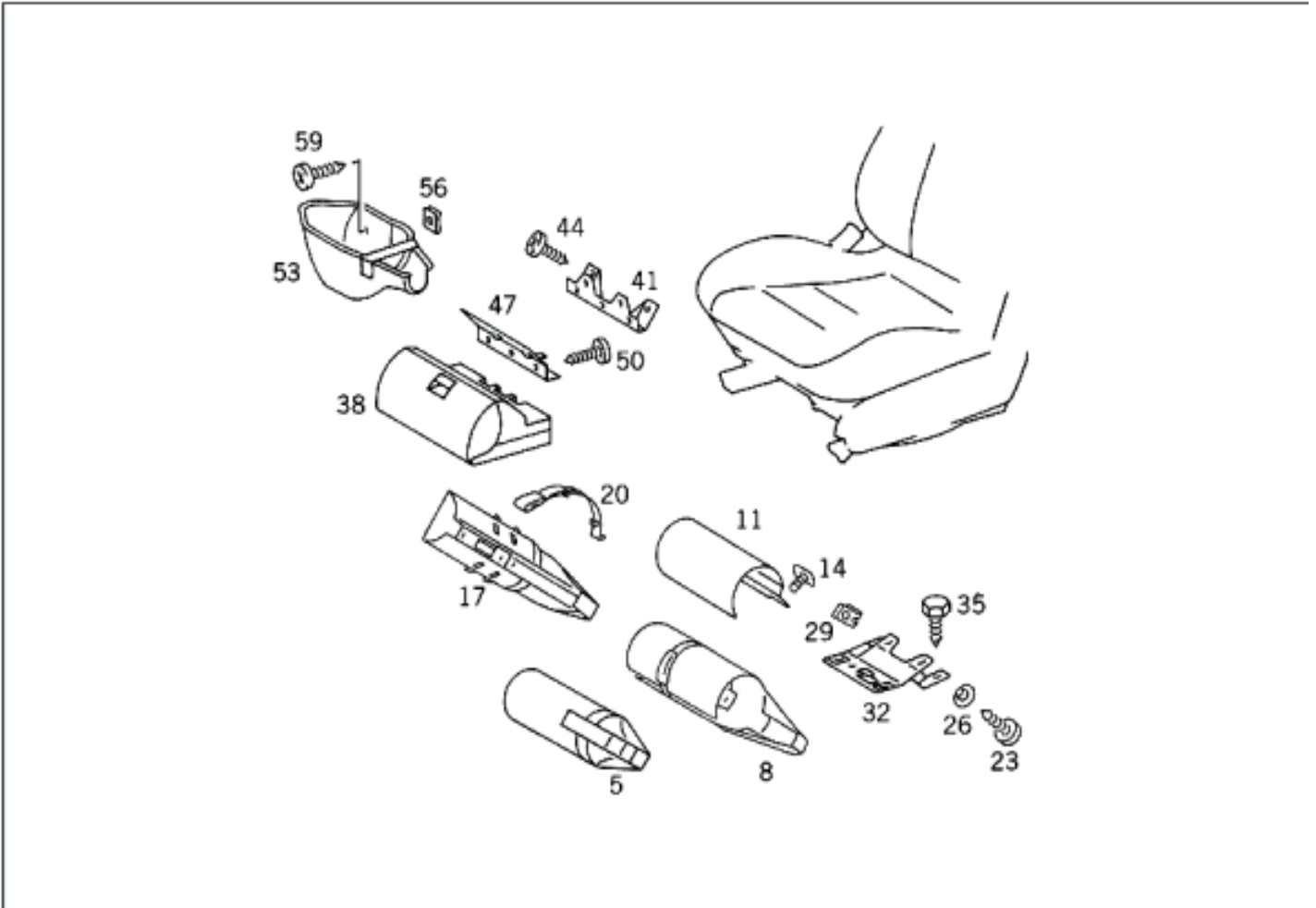
## COVERINGS



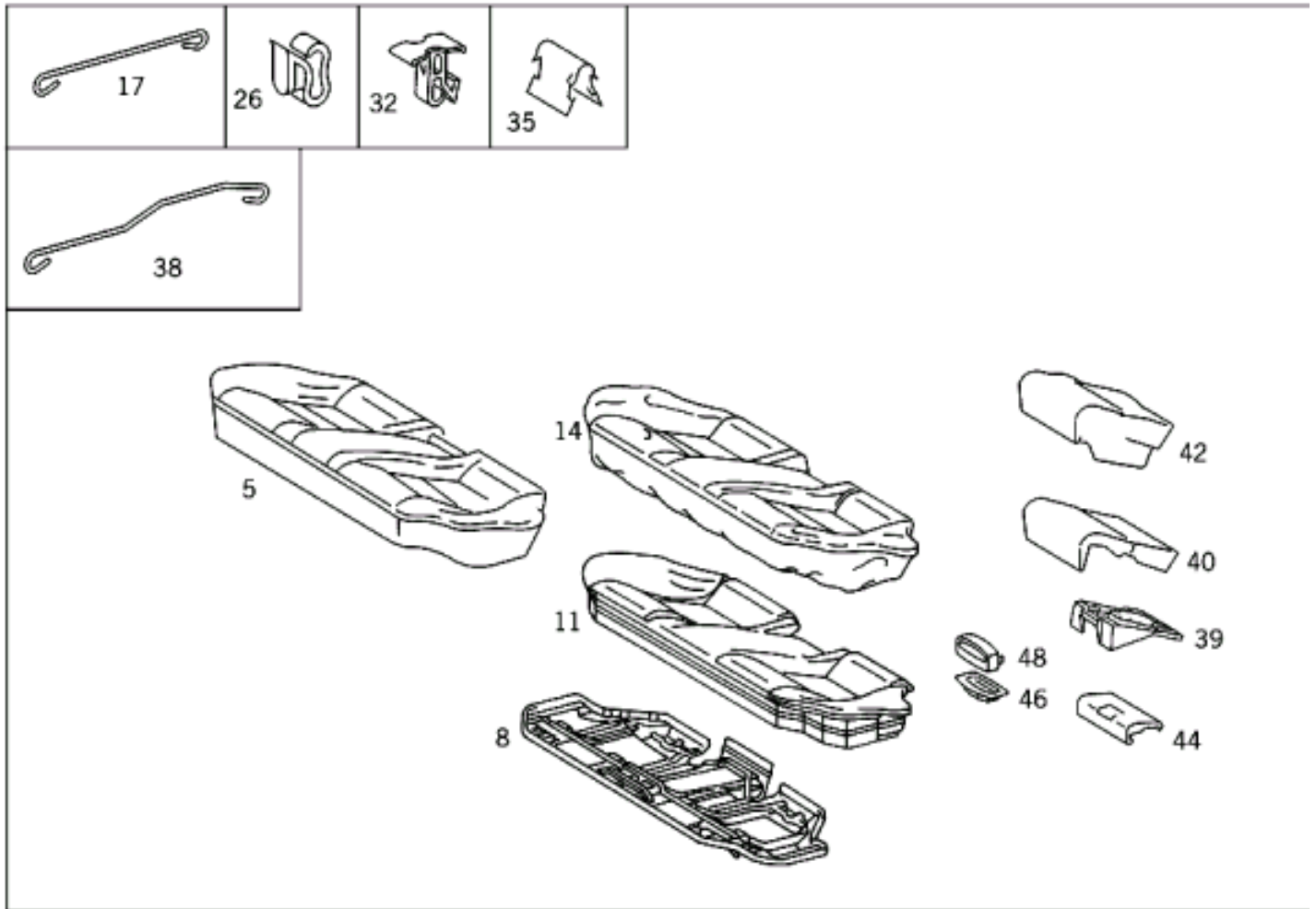
# FRONT SEAT SAFETY BELT



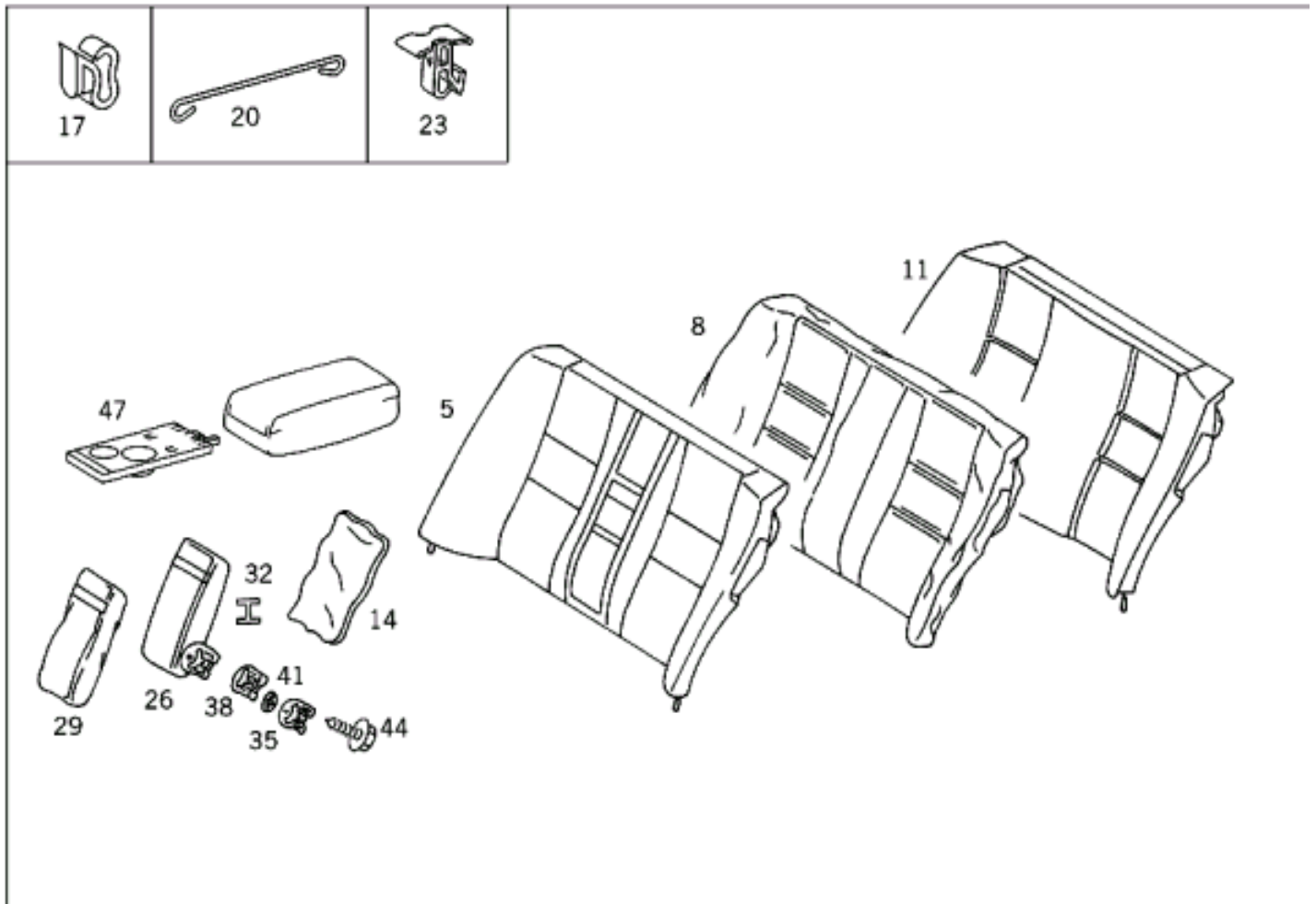
# FEUERLOESCHER, SITZANBAUTEILE FUER SONDERFAHRZEUGE



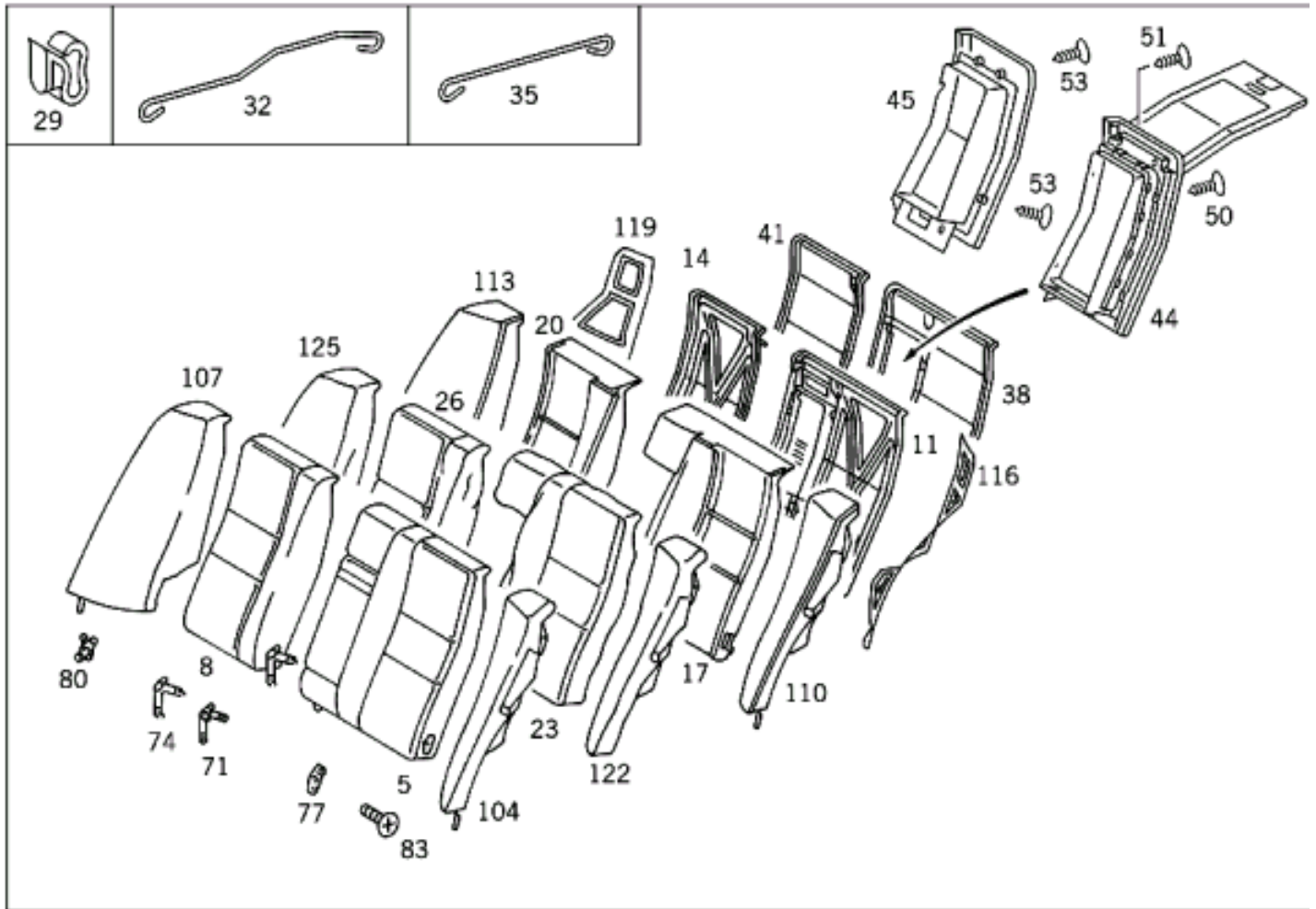
## REAR SET CUSHION



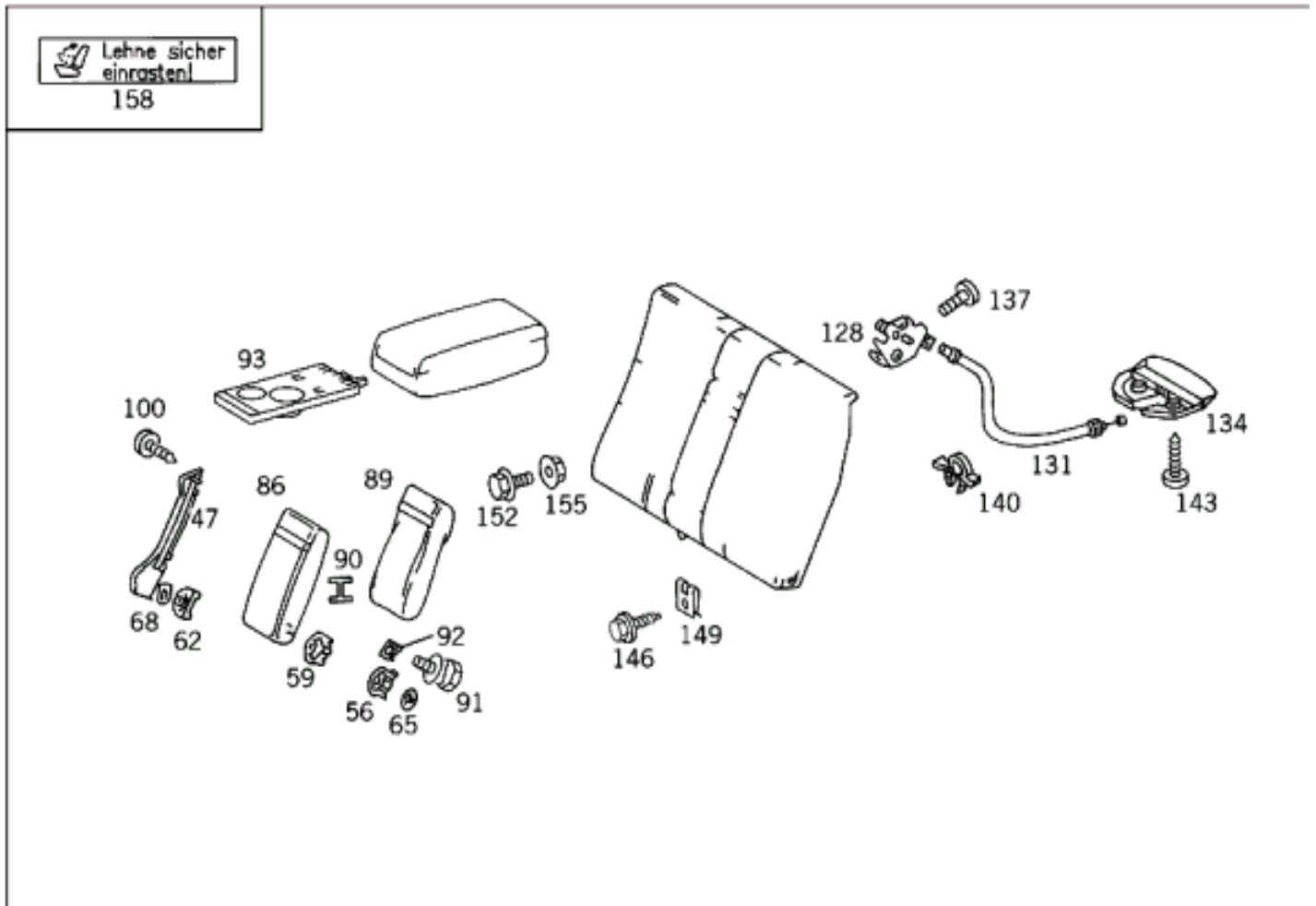
## REAR BACKREST



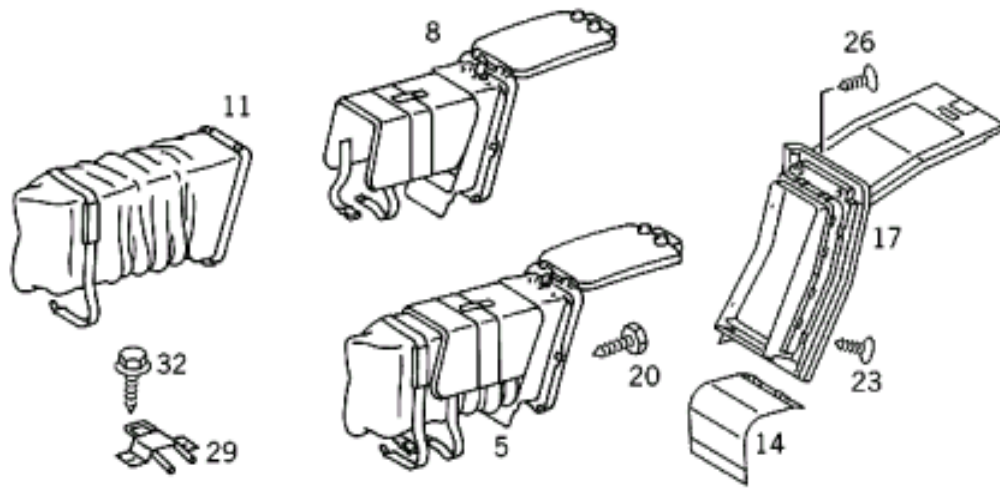
REAR FOLDING BACKREST



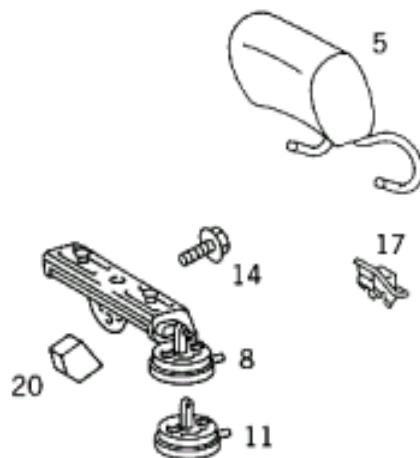
REAR FOLDING BACKREST



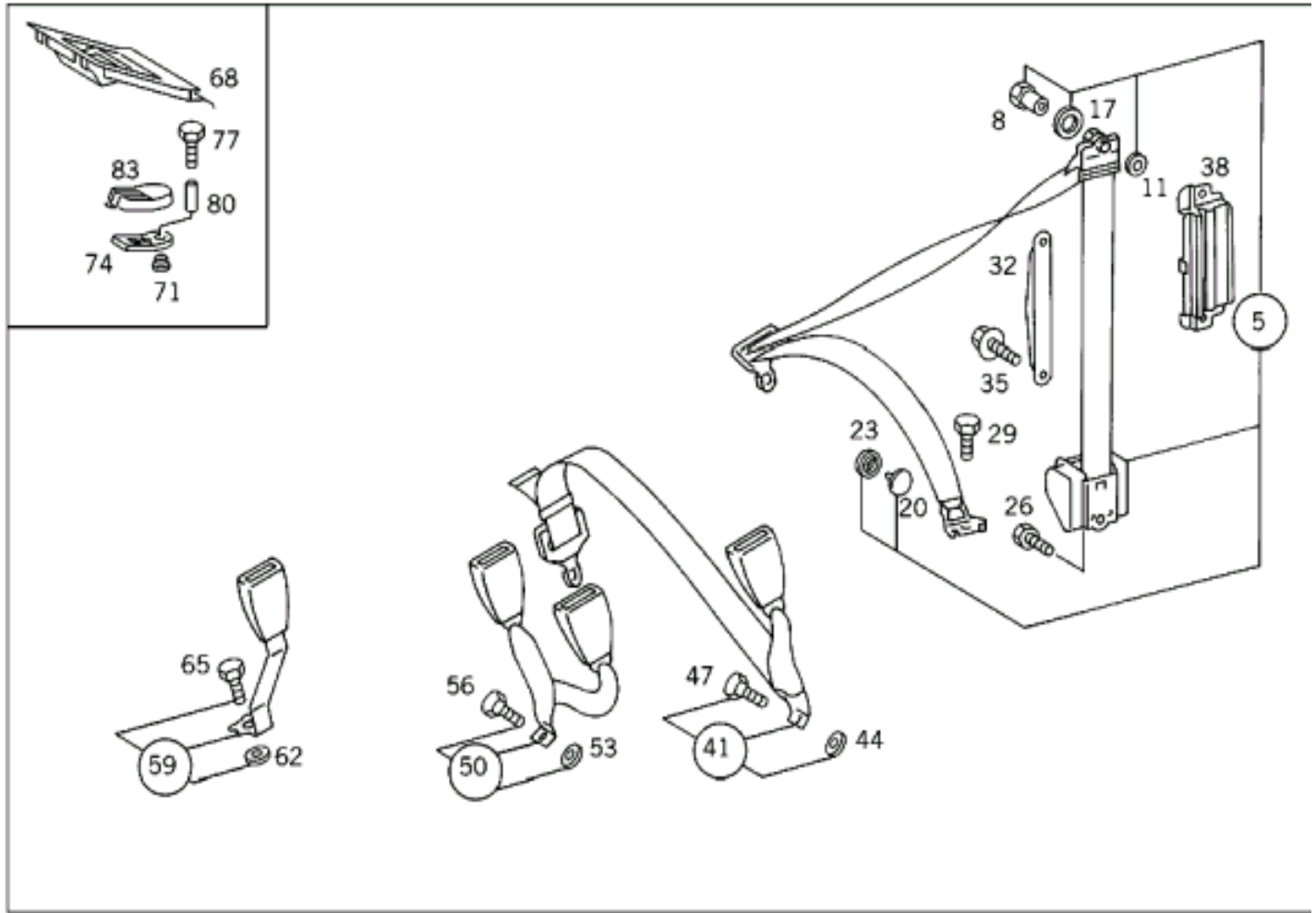
# SKI BAG



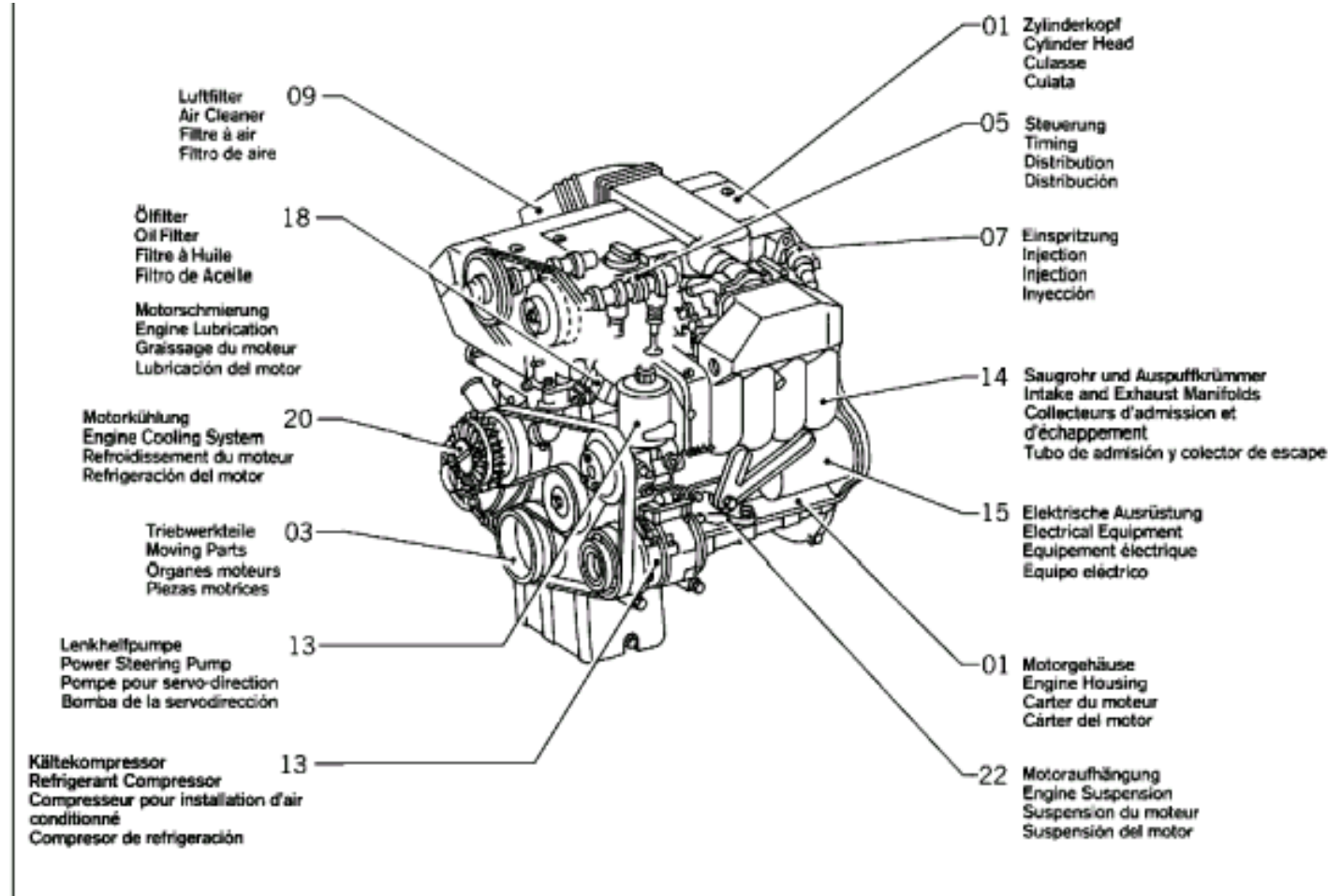
# HEADREST



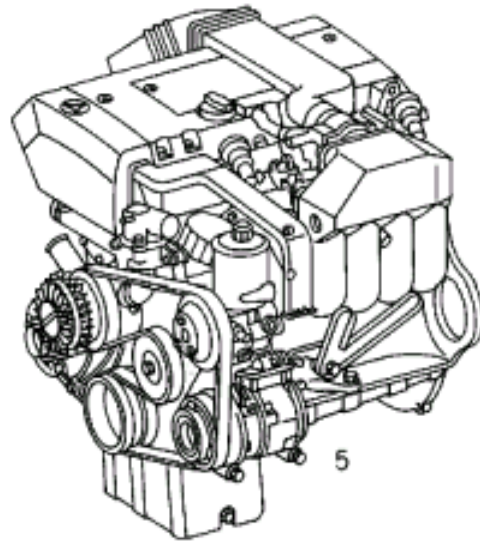
## REAR SEAT SAFETY BELT



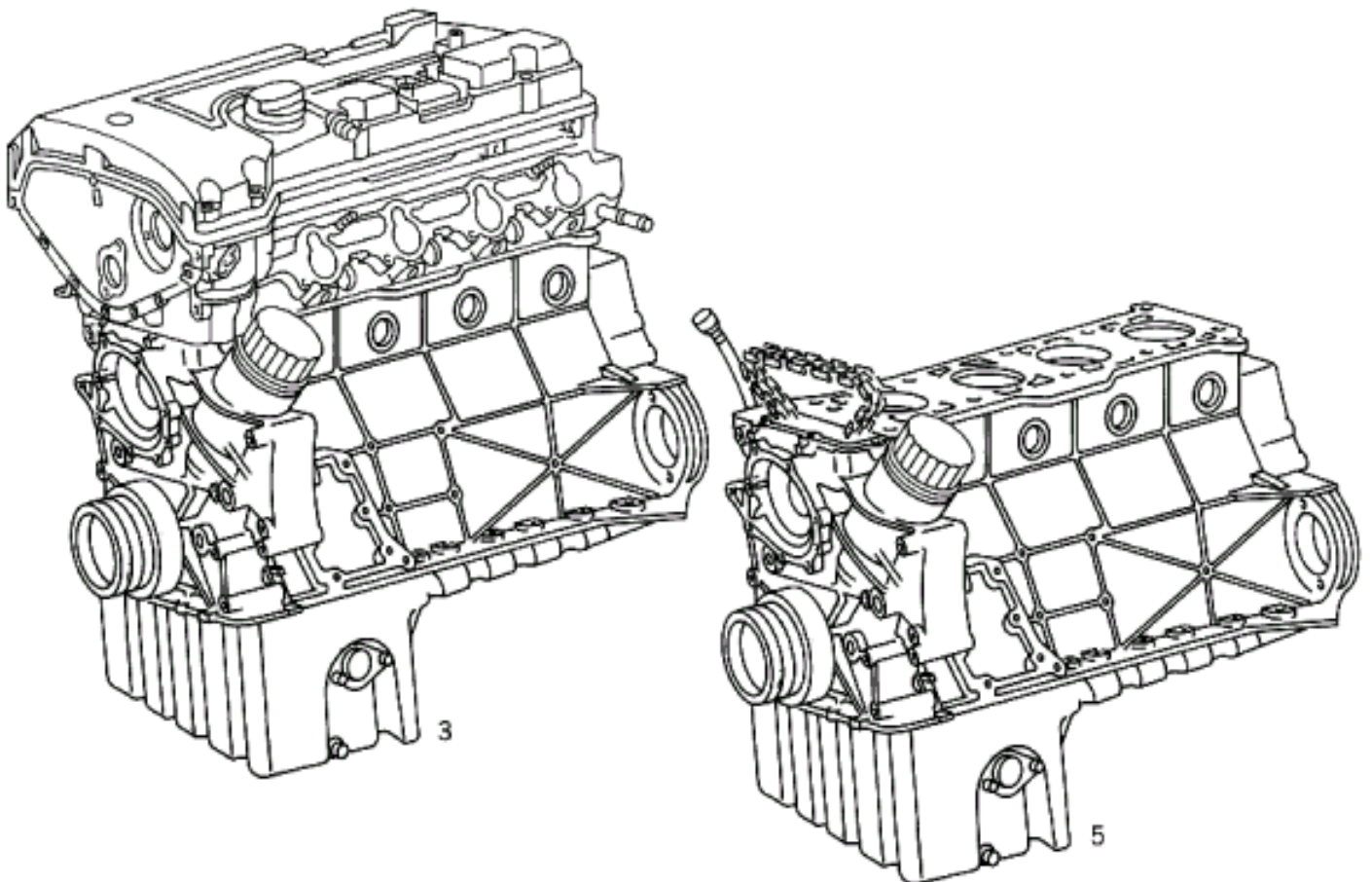
## DESIGN GROUP ORIENTATION TABLE



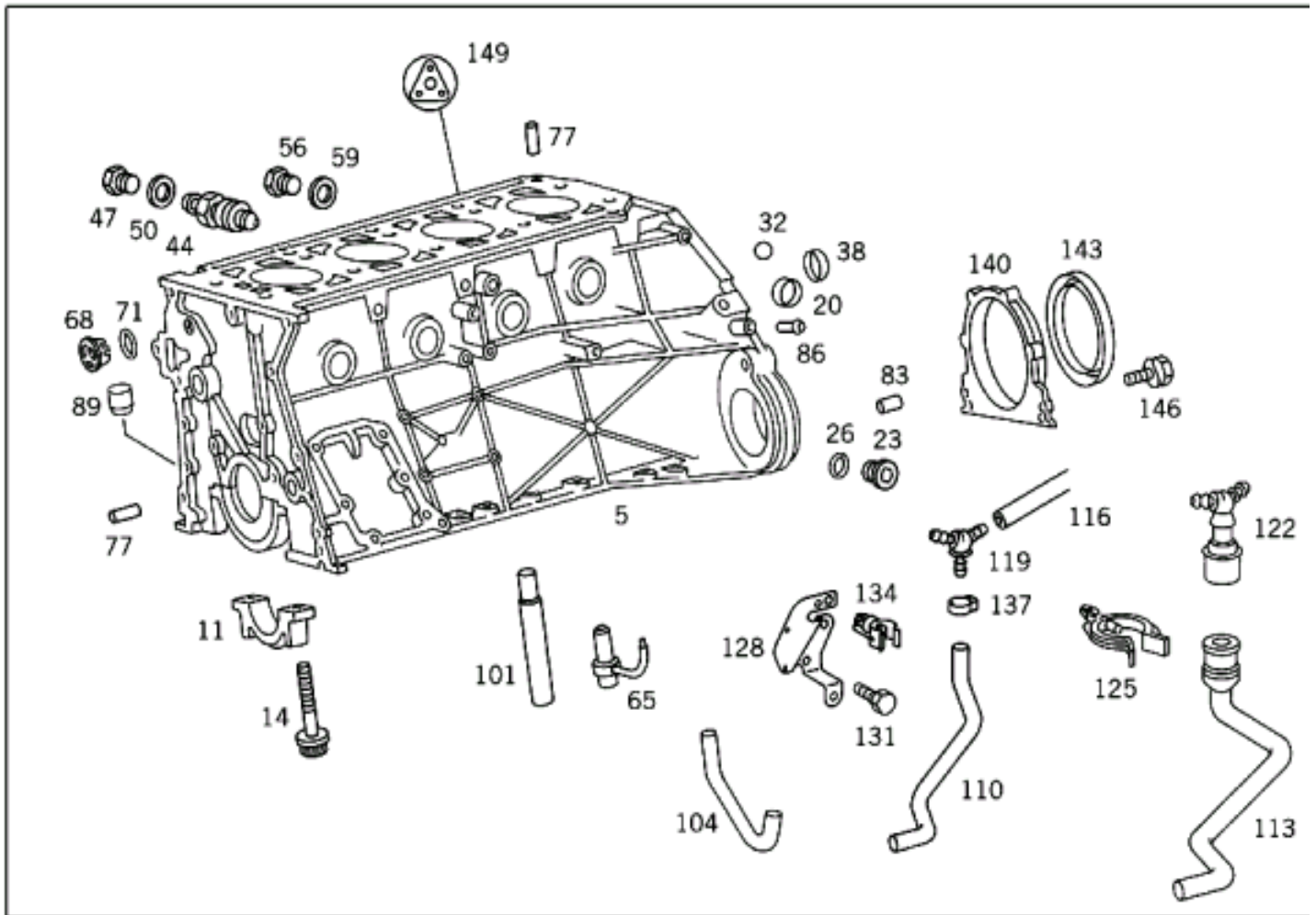
ENGINE



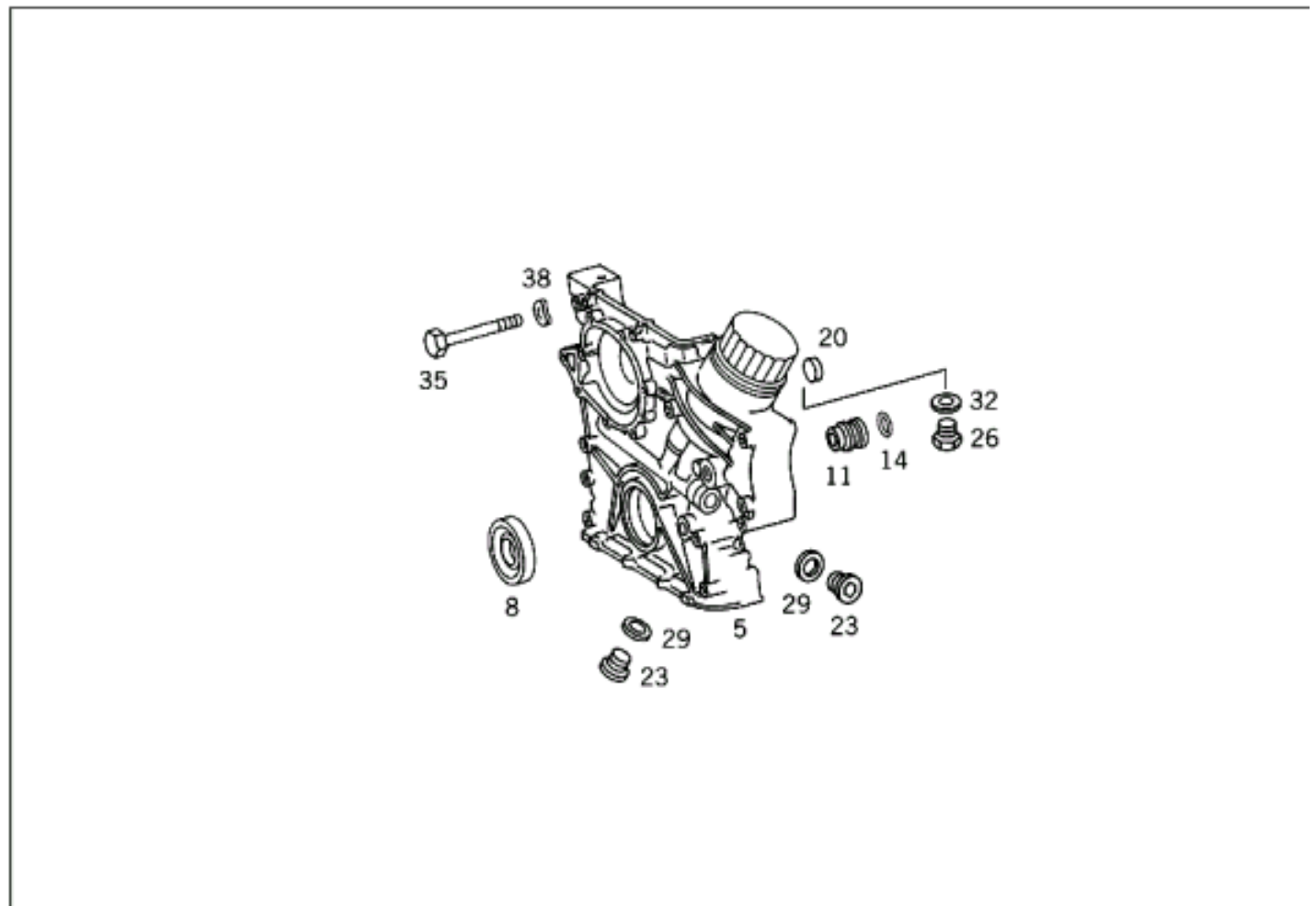
BASIC ENGINE



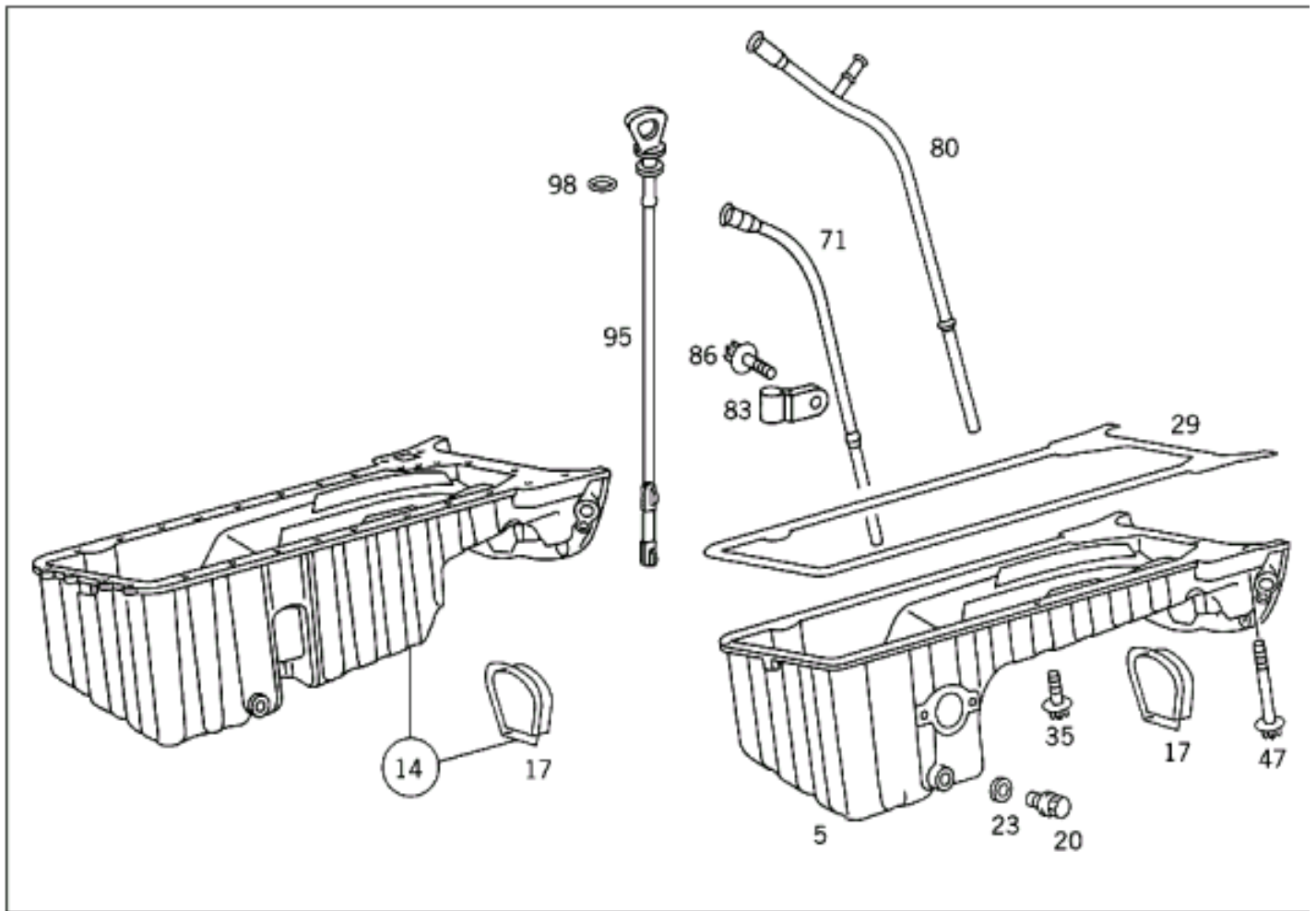
# CYLINDER CRACKCASE, COVER, GASKET KIT



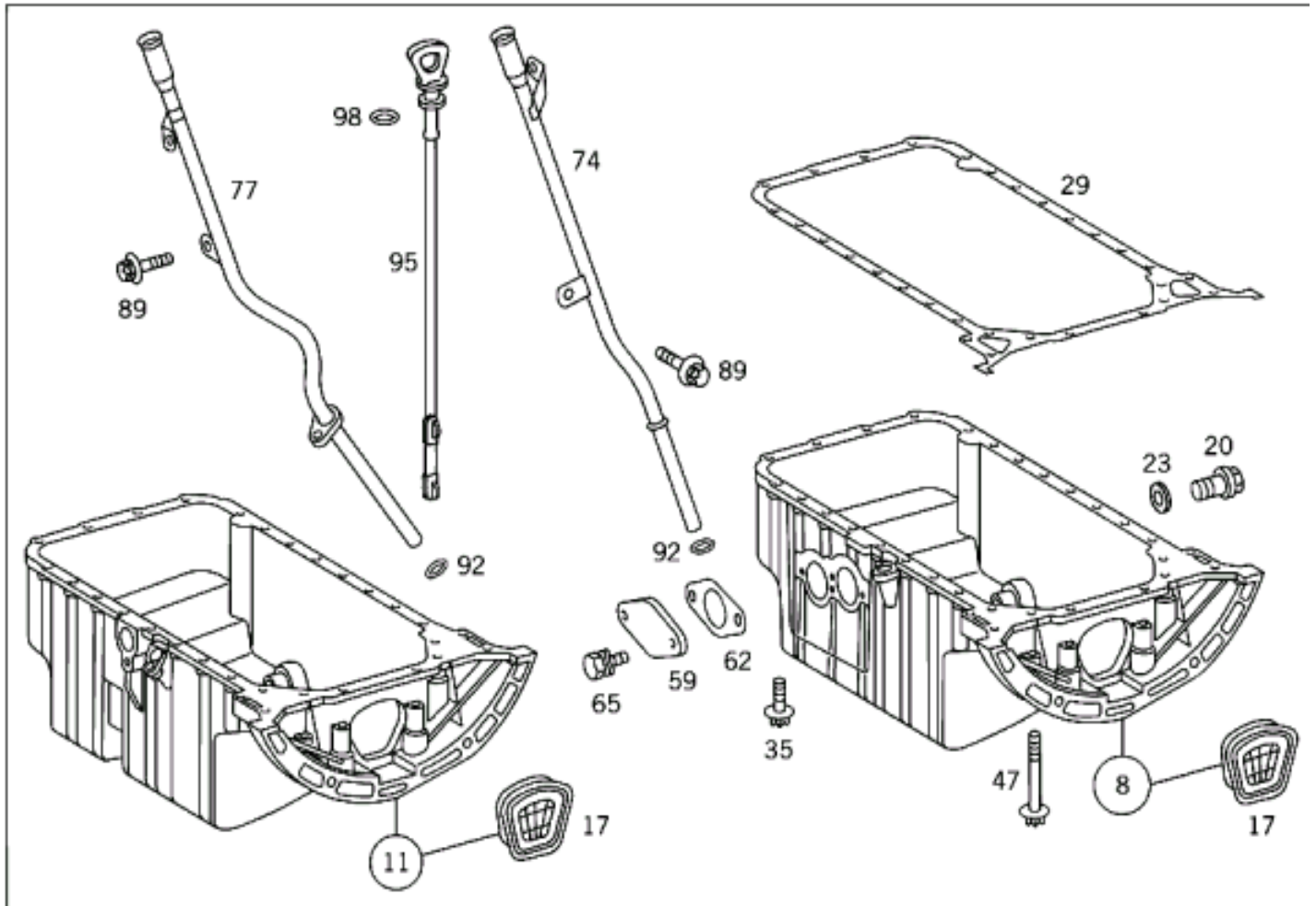
# TIMING CASE



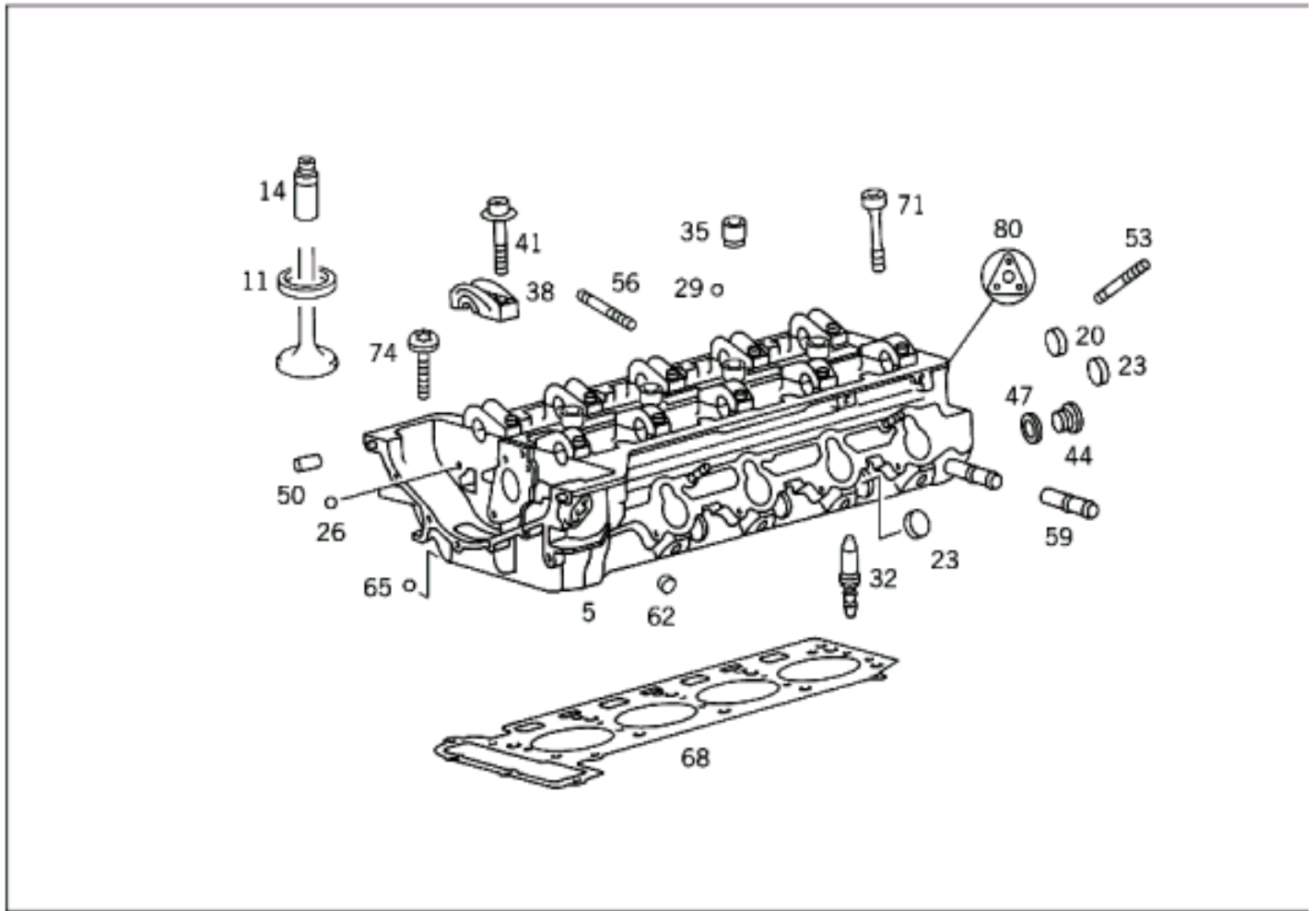
OIL PAN AND OIL LEVEL DISPLAY



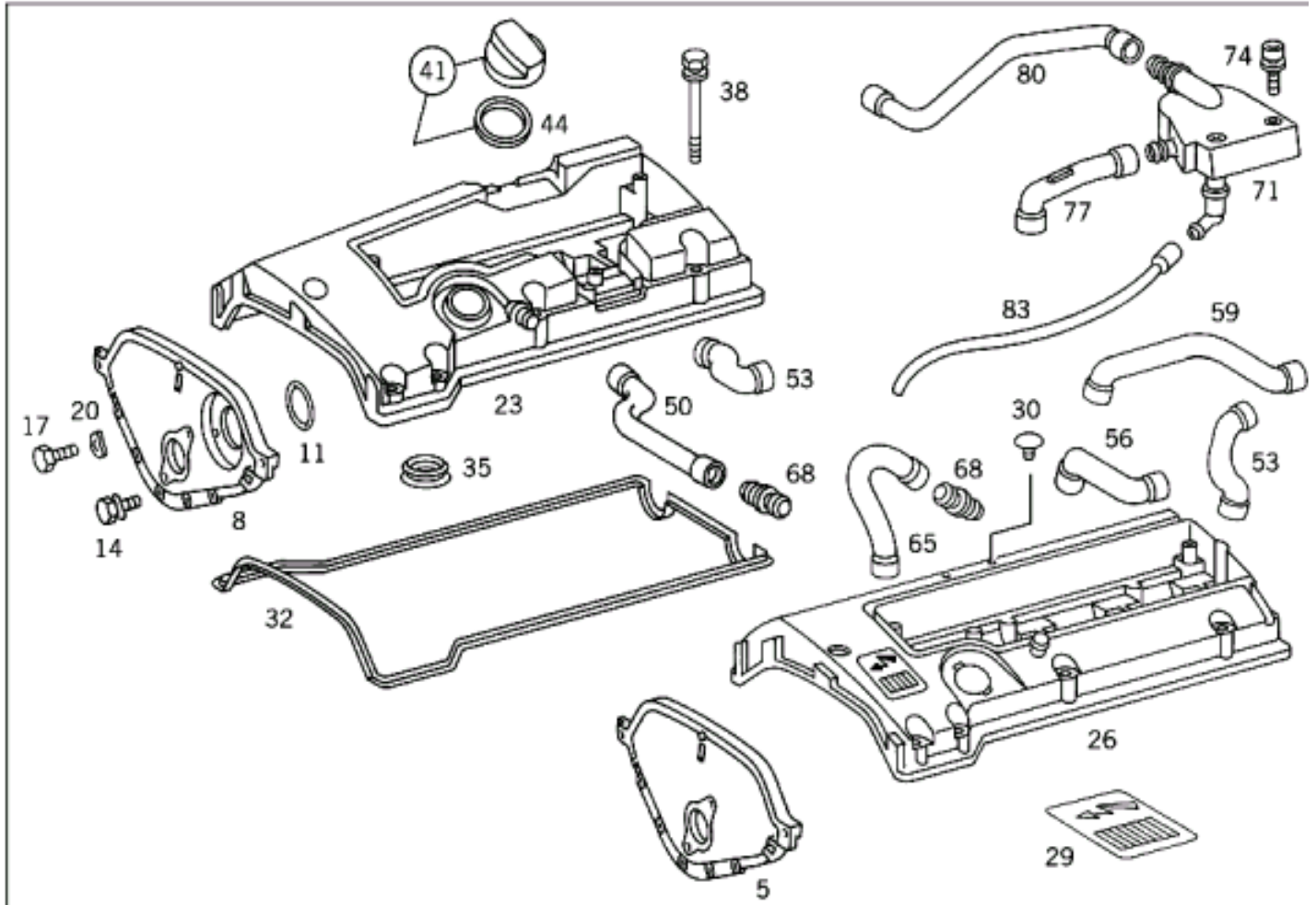
OIL PAN AND OIL LEVEL DISPLAY



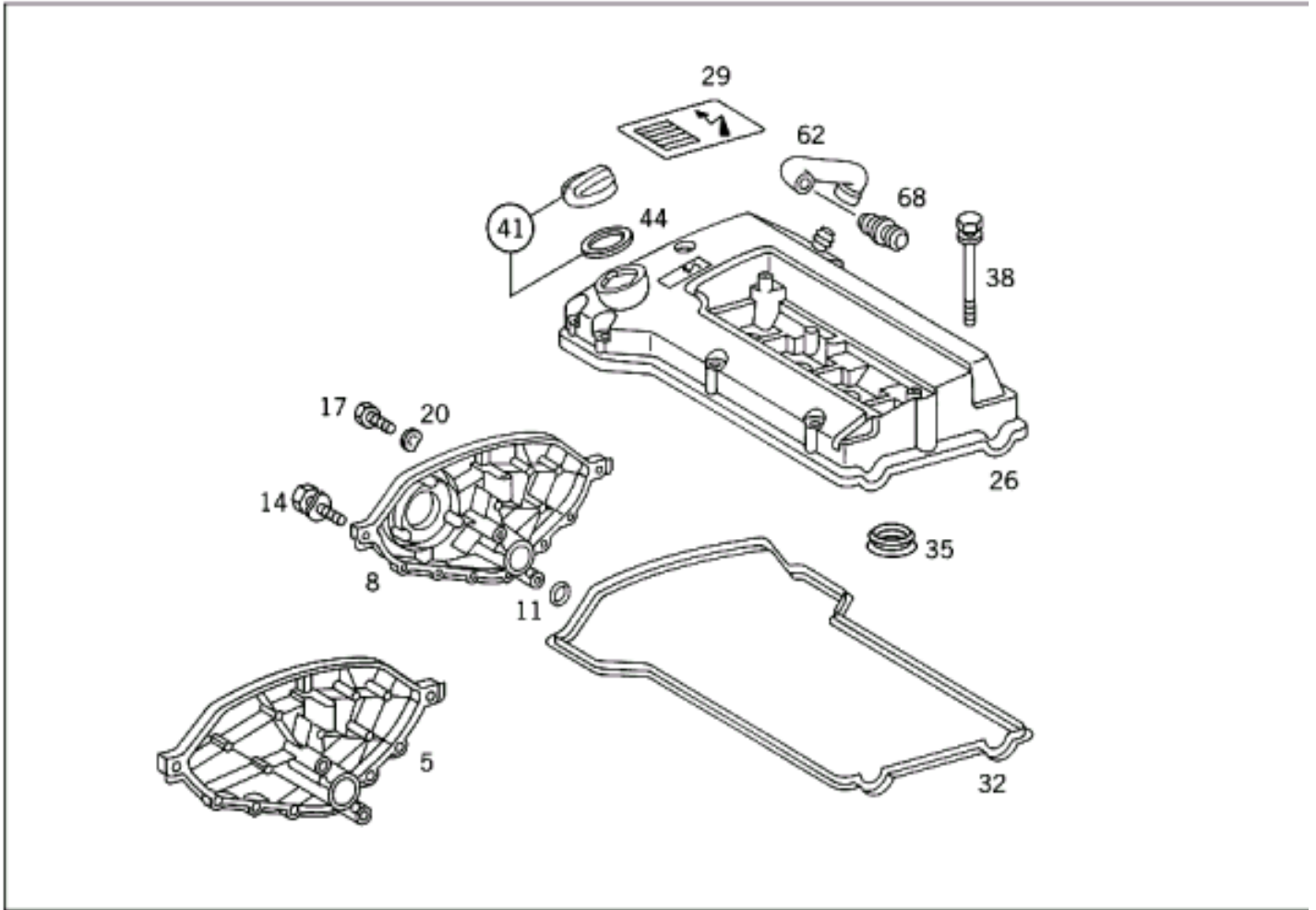
# CYLINDER HEAD AND GASKET KIT



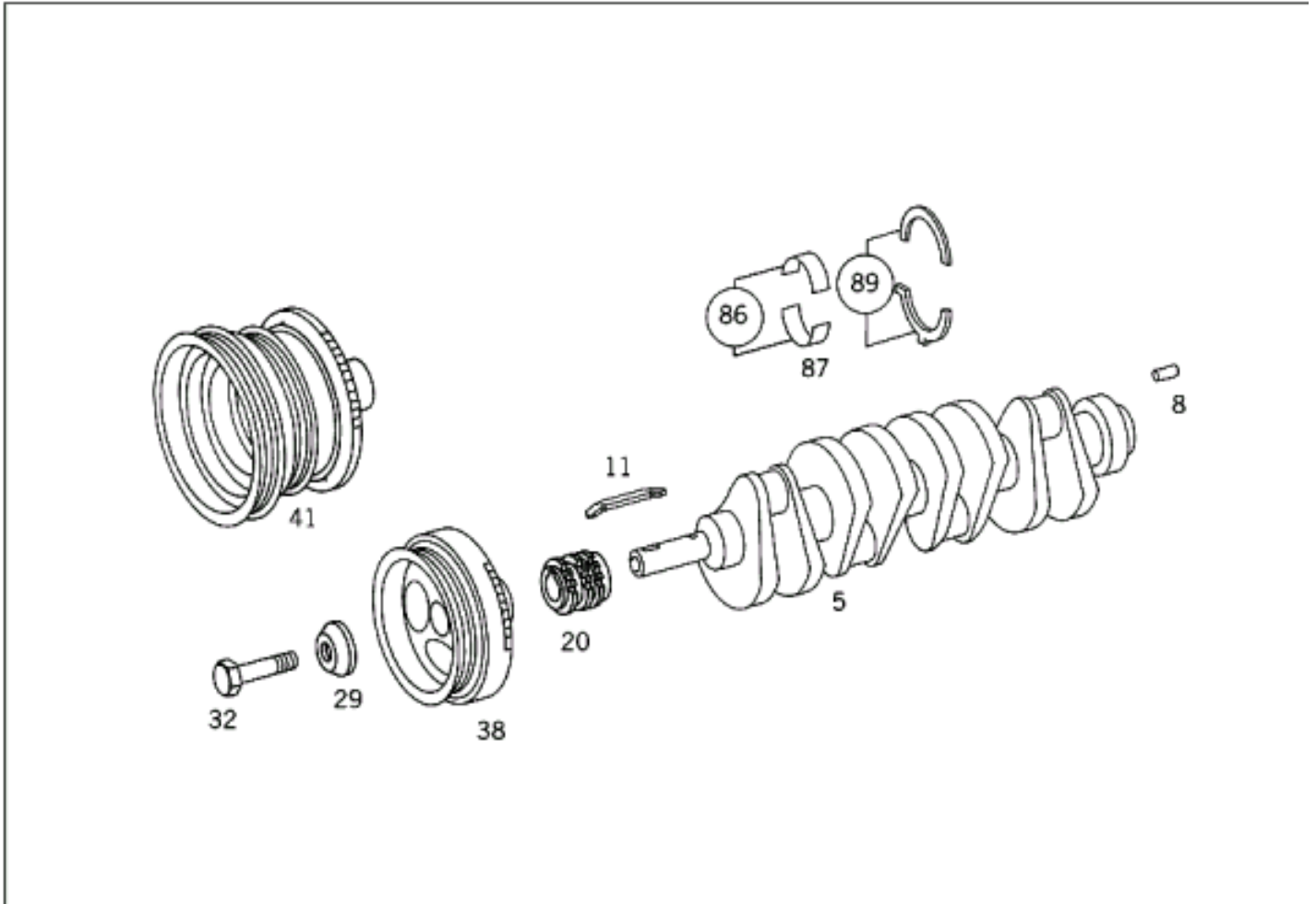
# CYLINDER HEAD COVER



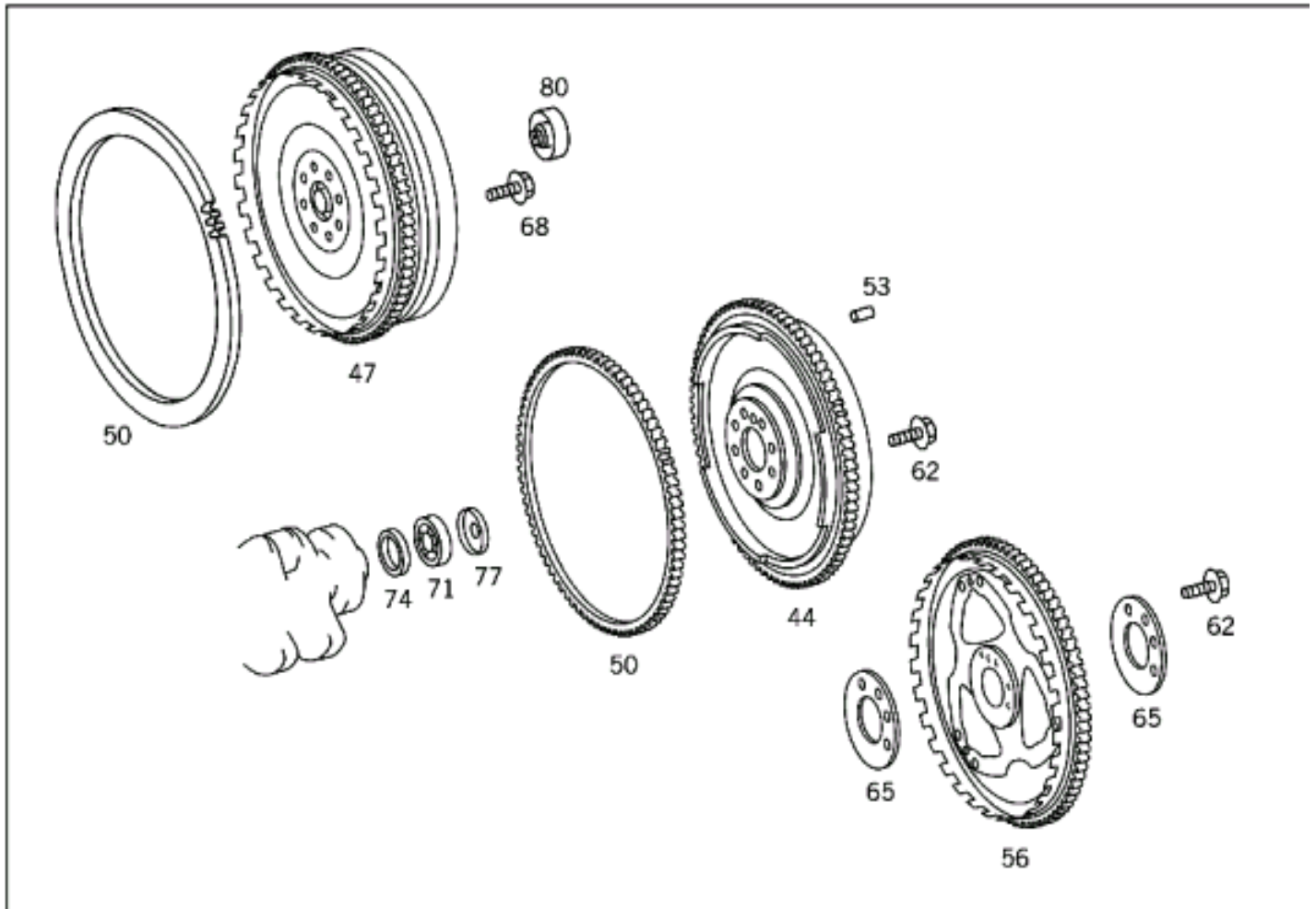
## CYLINDER HEAD COVER



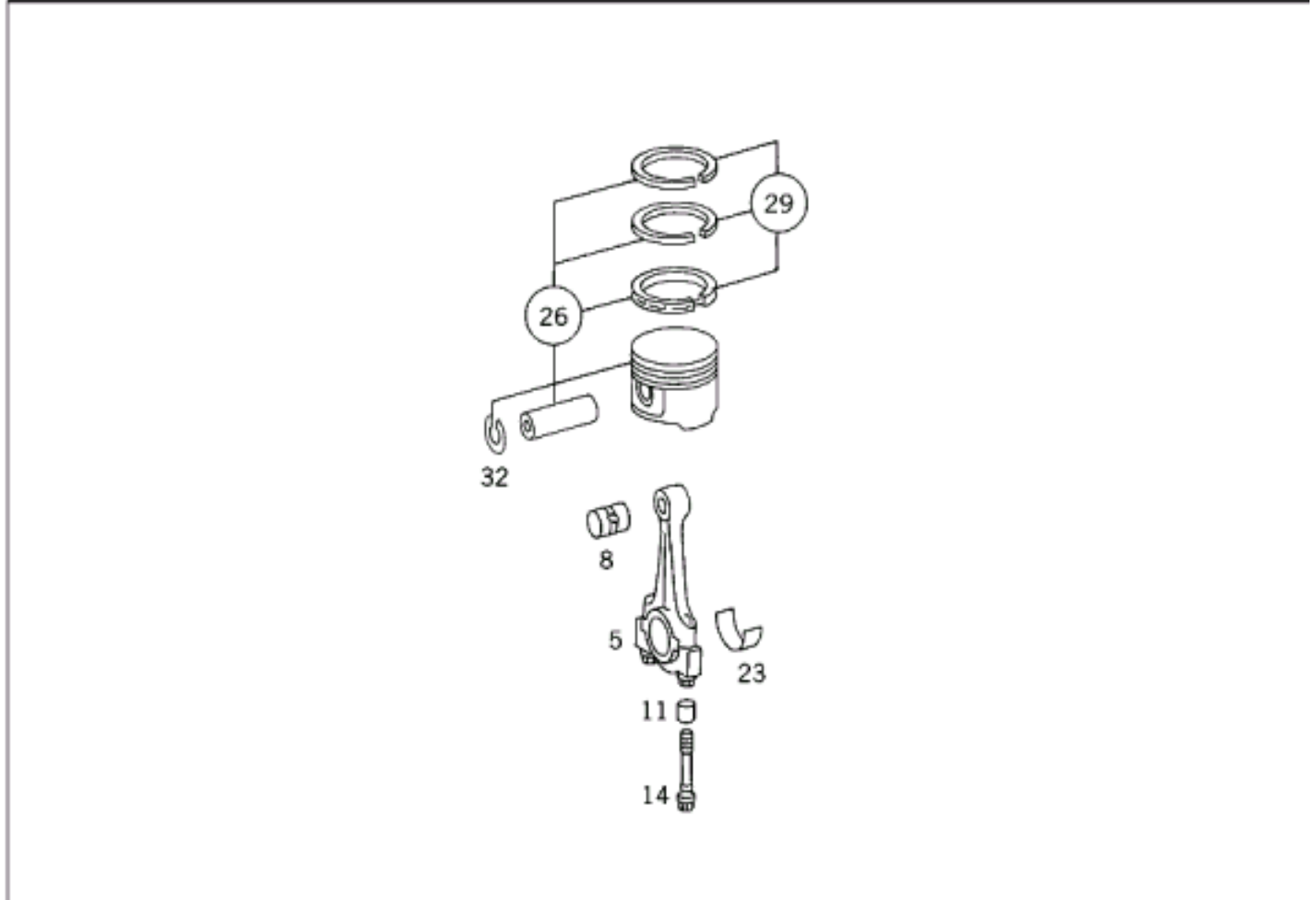
## CRANKSHAFT AND FLYWHEEL



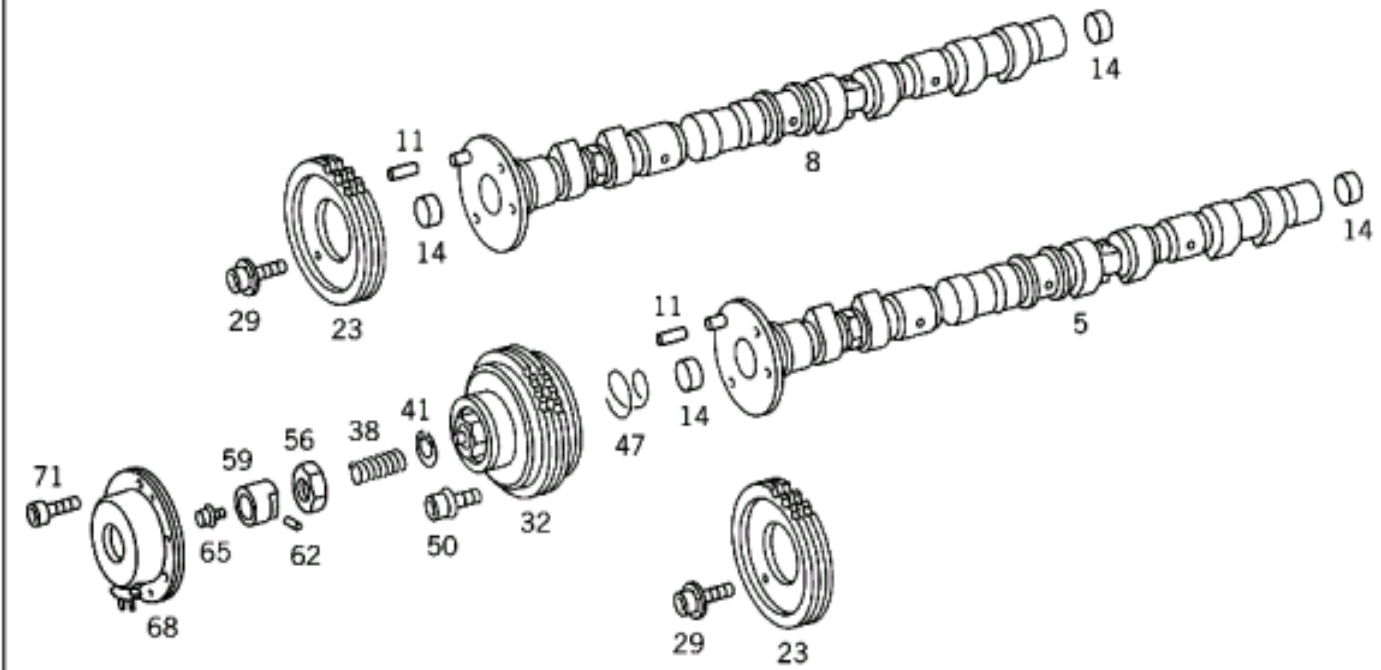
## CRANKSHAFT AND FLYWHEEL



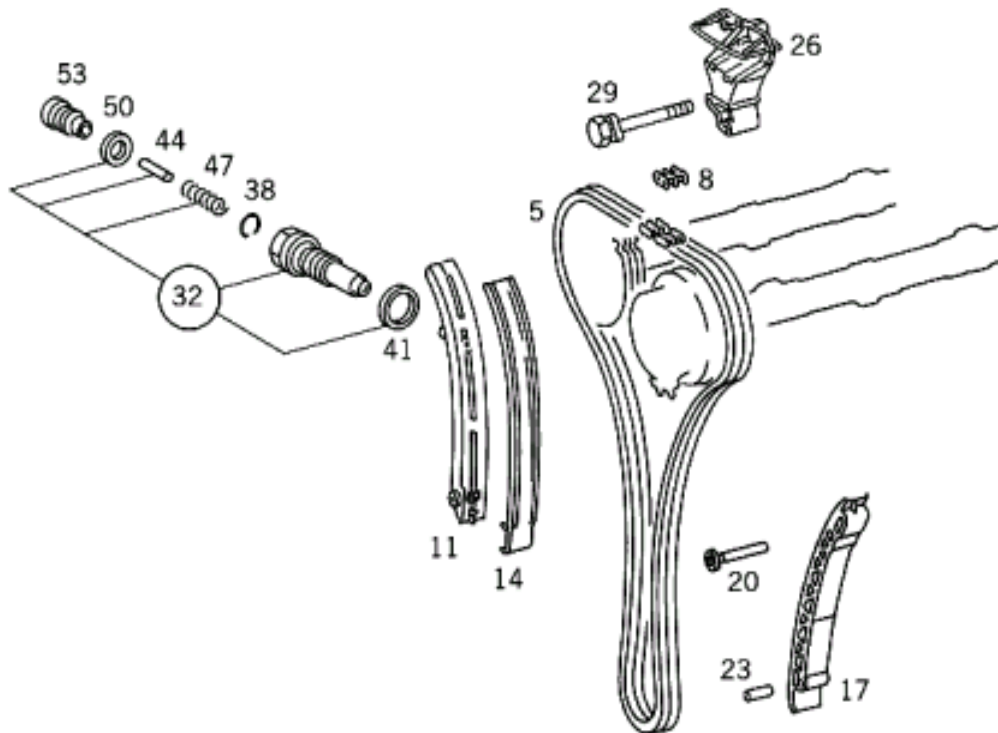
## CONNECTING ROD AND PISTONS



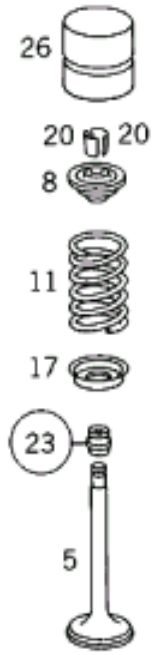
## CAMSHAFT AND CAMSHAFT ADJUSTER



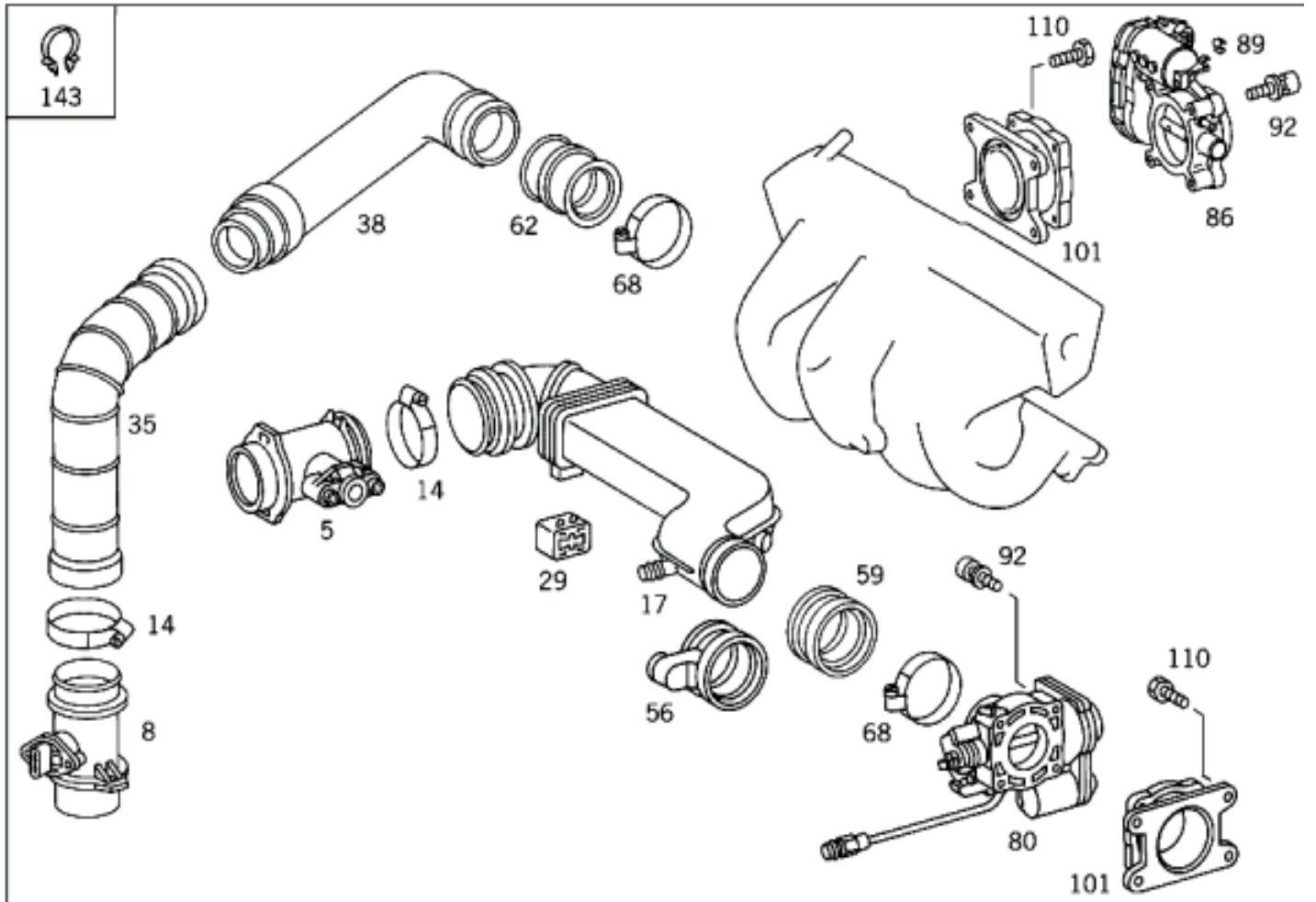
## CHAIN DRIVE



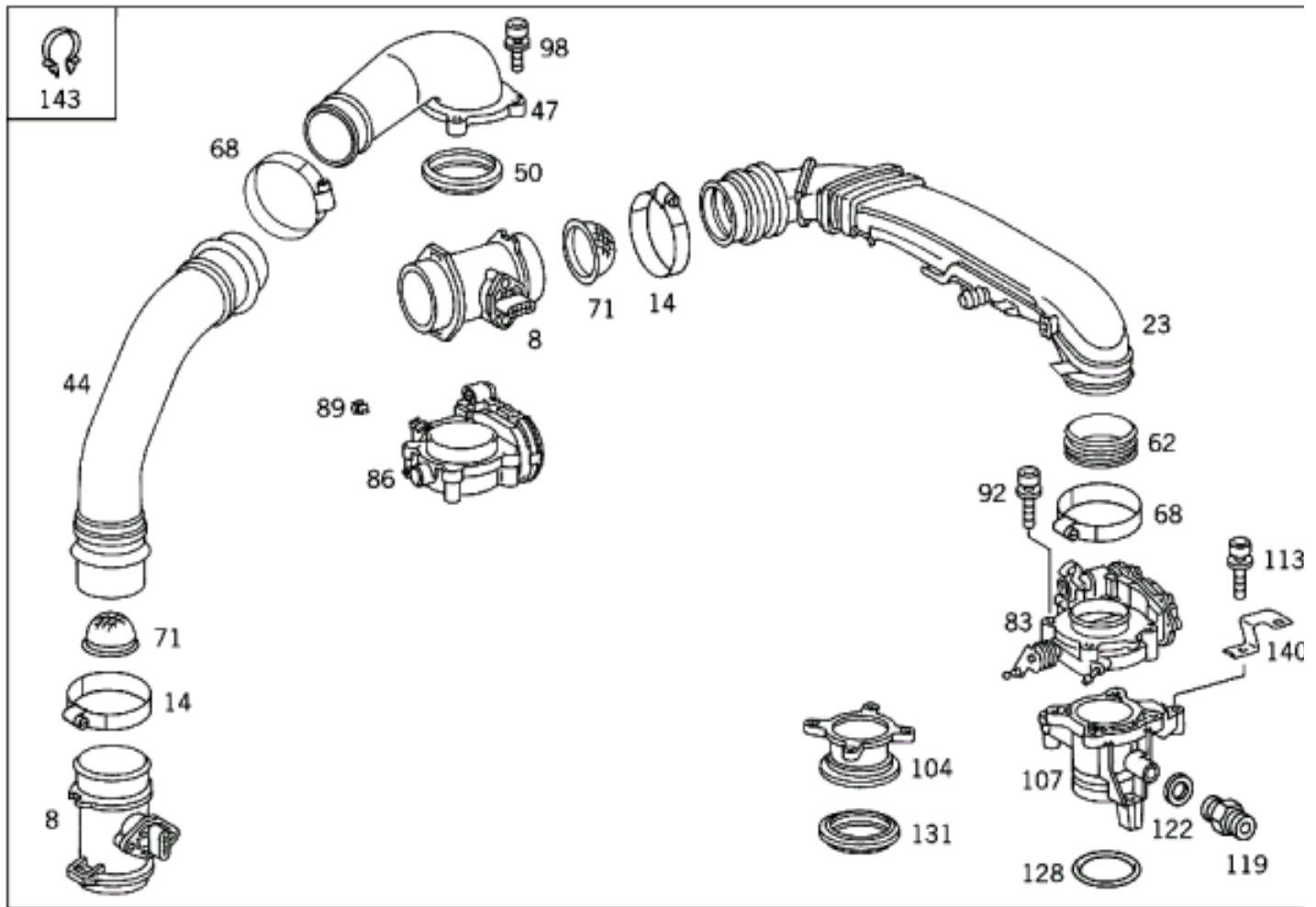
# VALVES



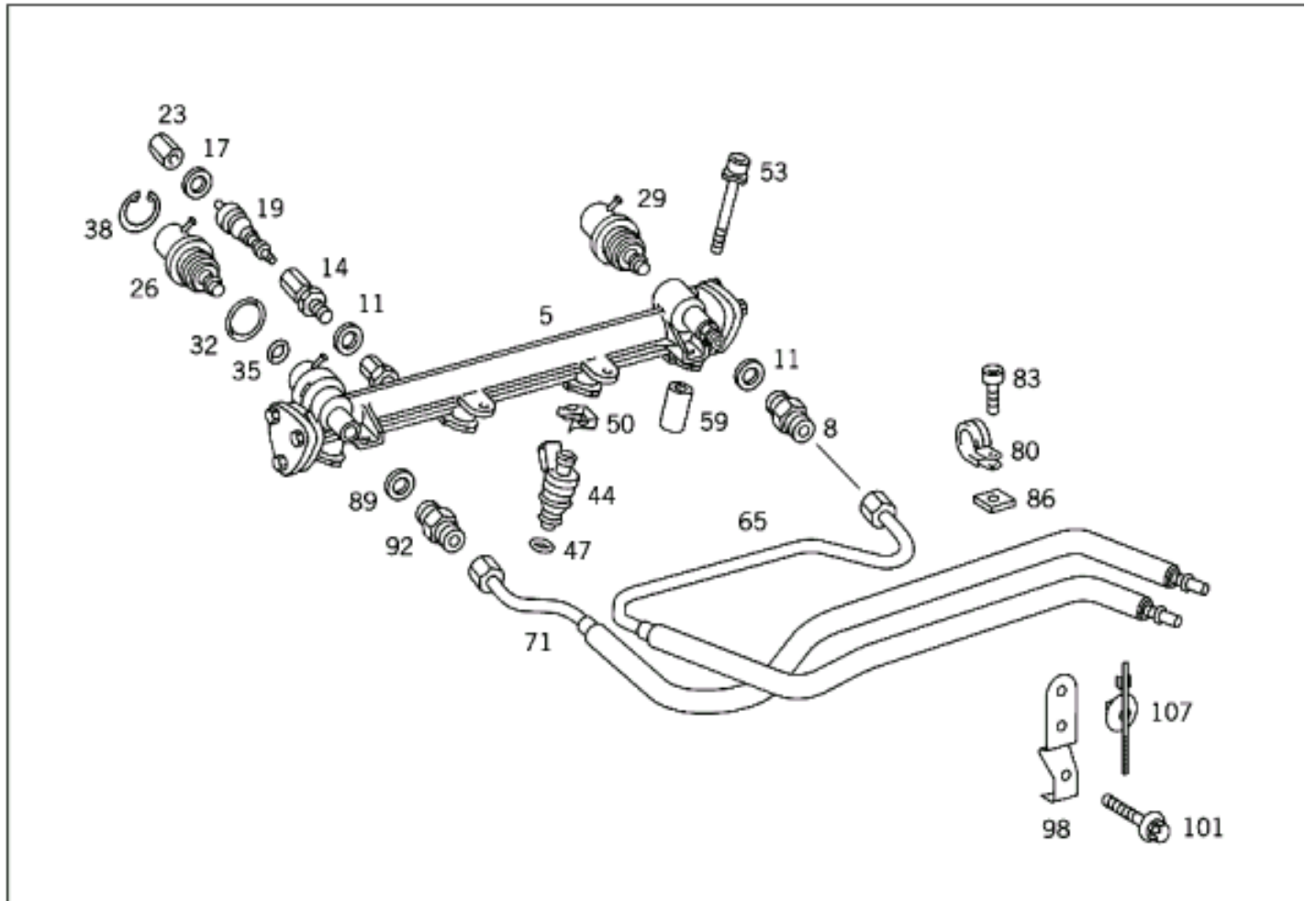
# AIR-MASS SENSOR, THROTTLE VALVE ACTUATOR; USED WITH MOTRONIC



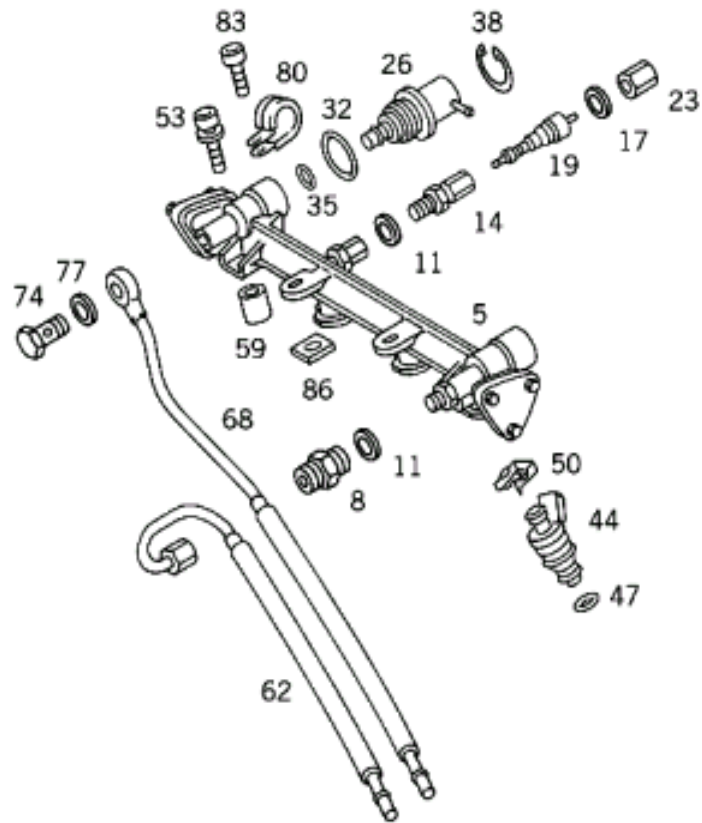
AIR-MASS SENSOR, THROTTLE VALVE ACTUATOR; USED WITH MOTRONIC



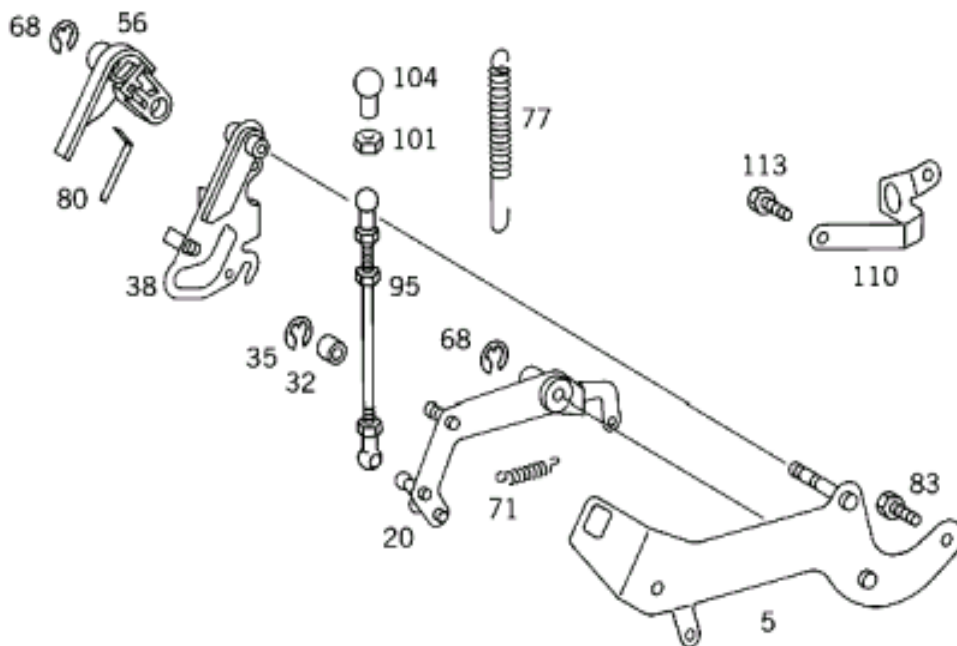
INJECTION VALVES, FUEL DISTRIBUTOR; USED WITH MOTRONIC



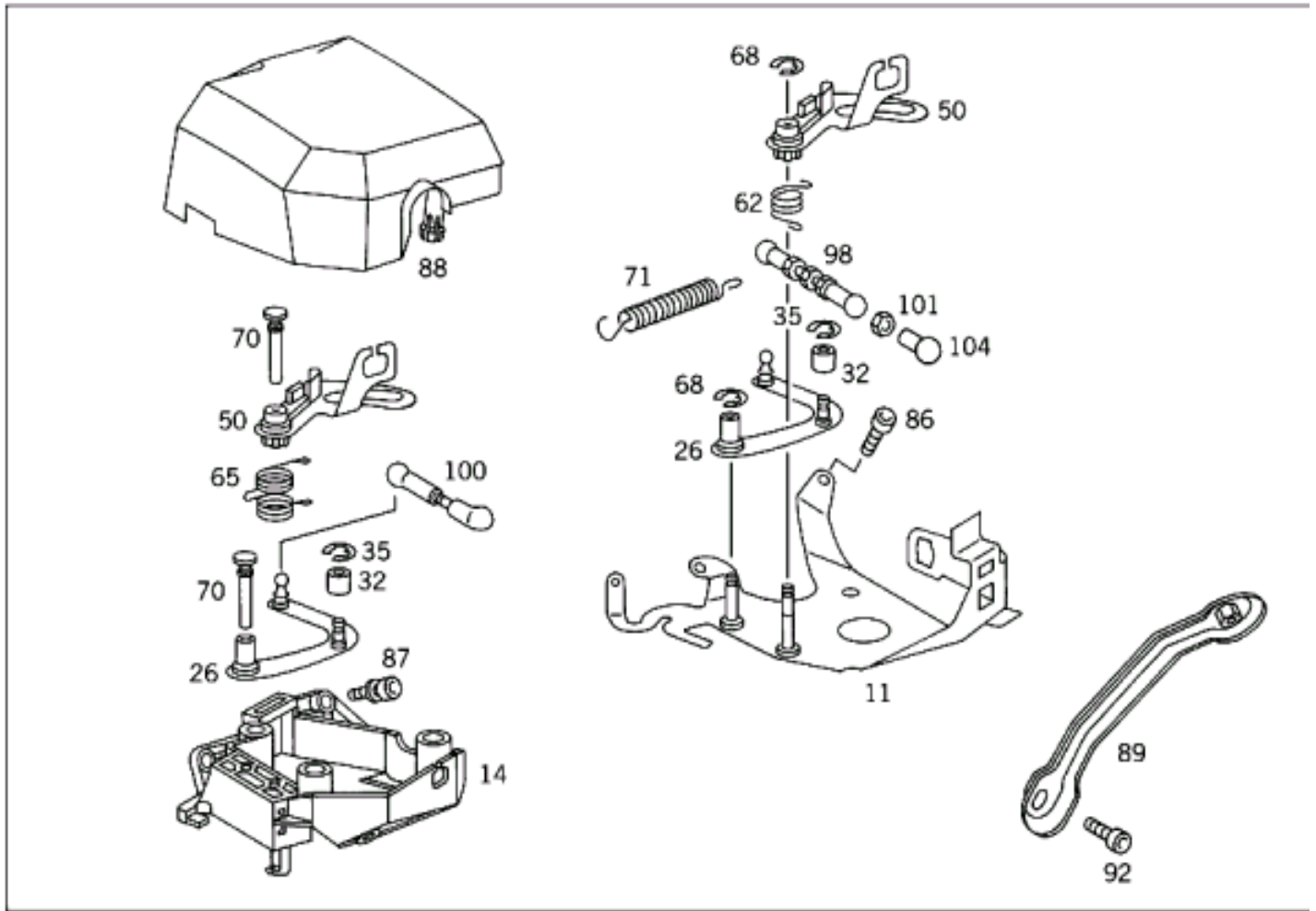
INJECTION VALVES, FUEL DISTRIBUTOR; USED WITH MOTRONIC



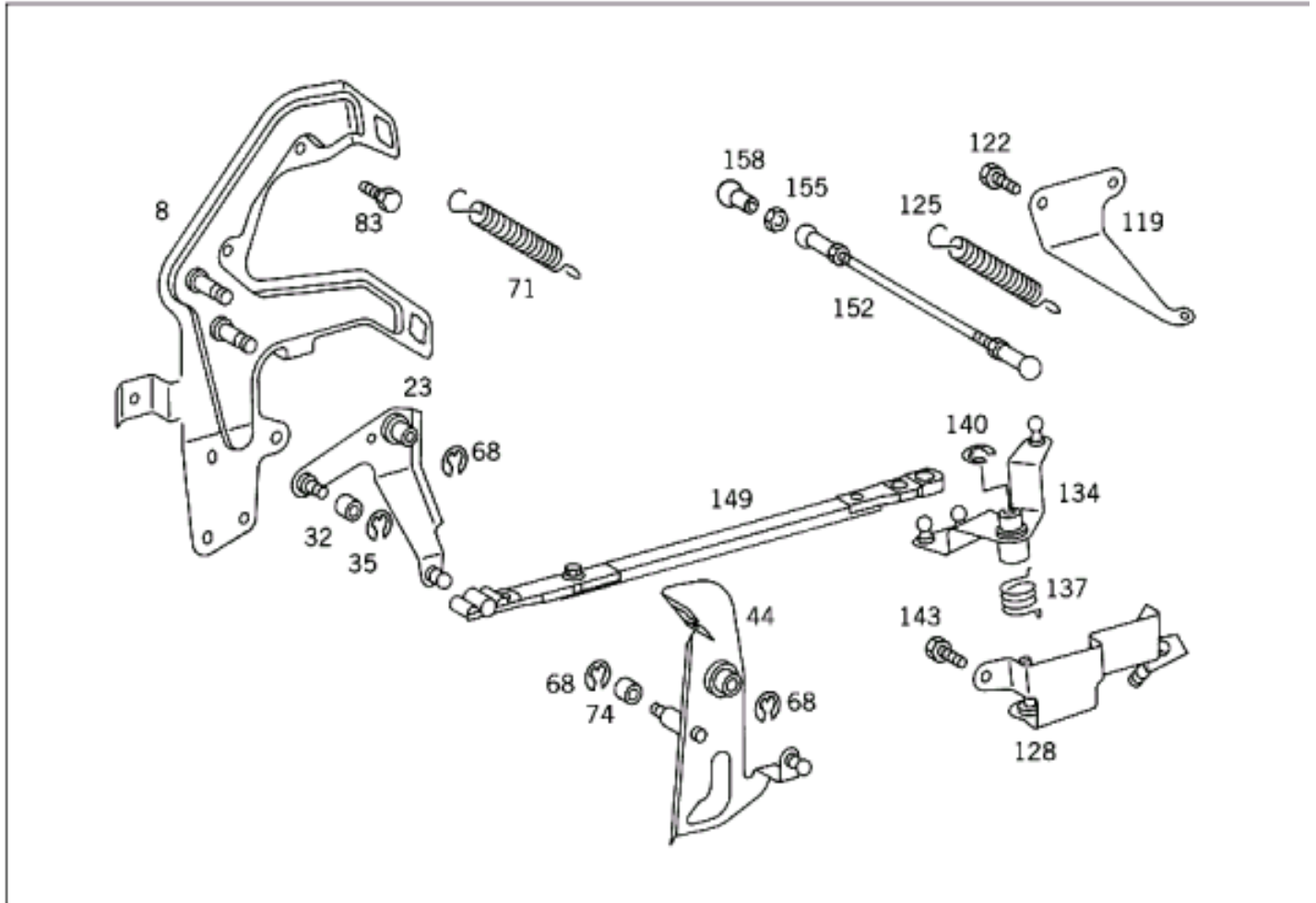
MOTRONIC CONTROL



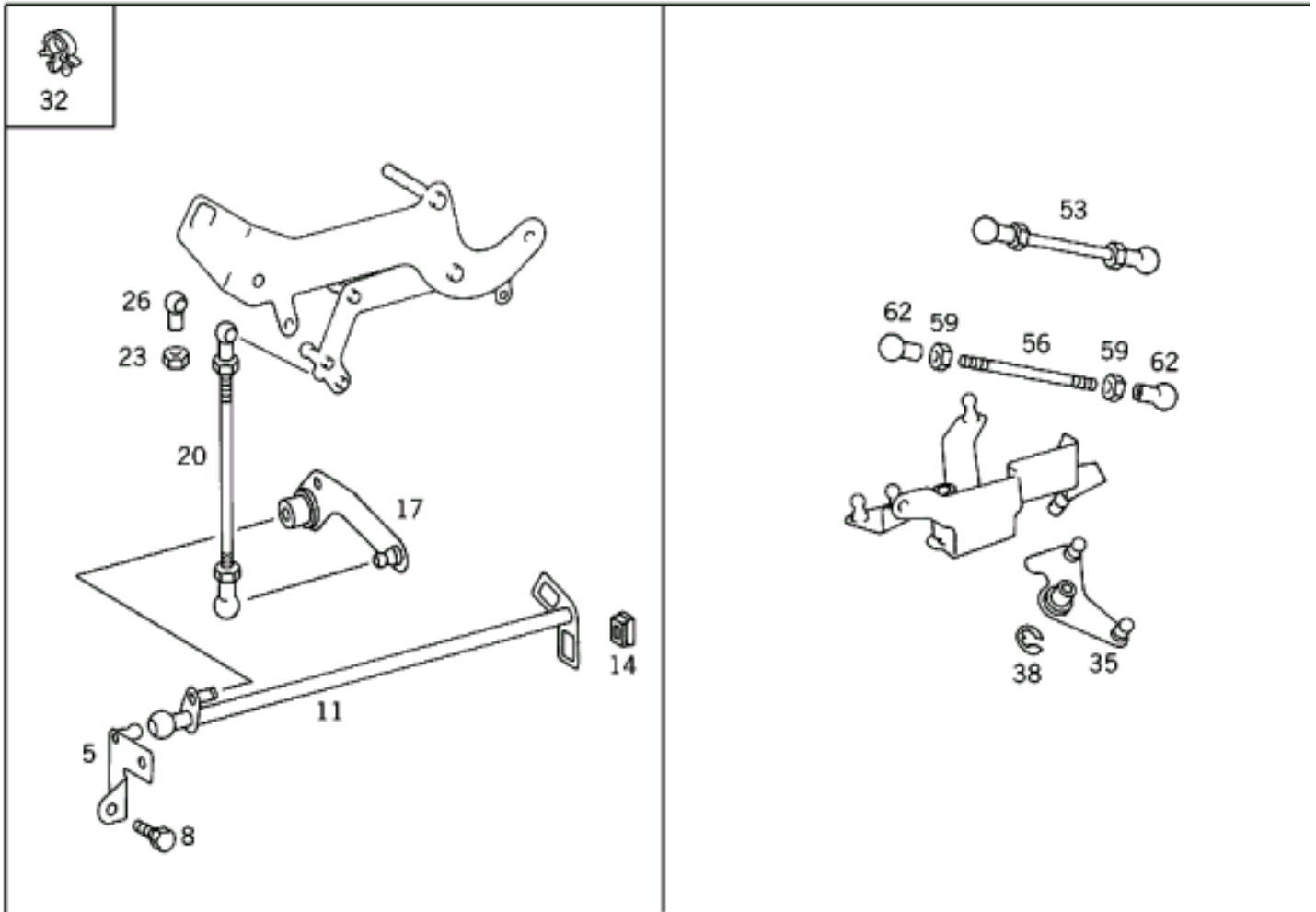
MOTRONIC CONTROL



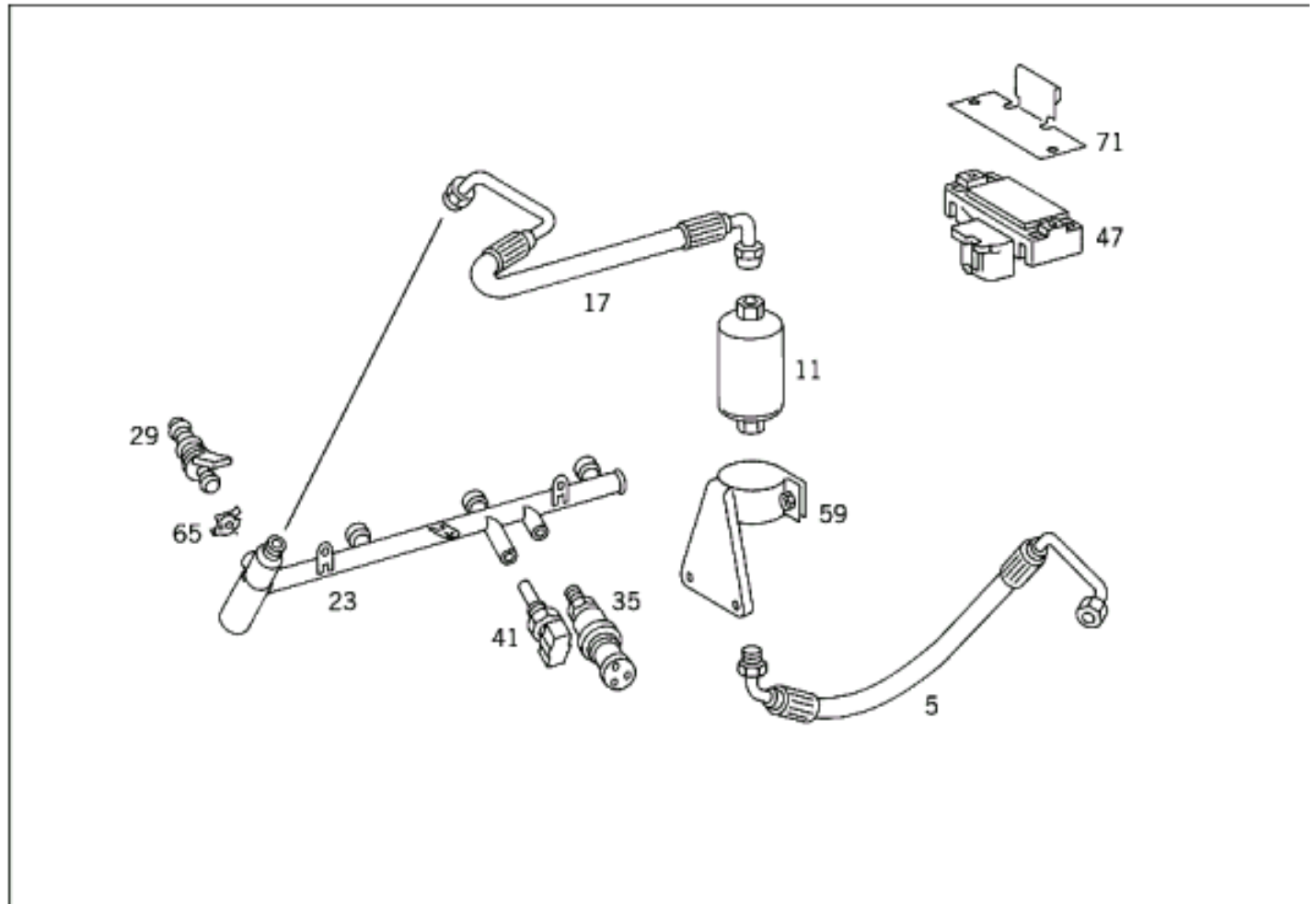
MOTRONIC CONTROL



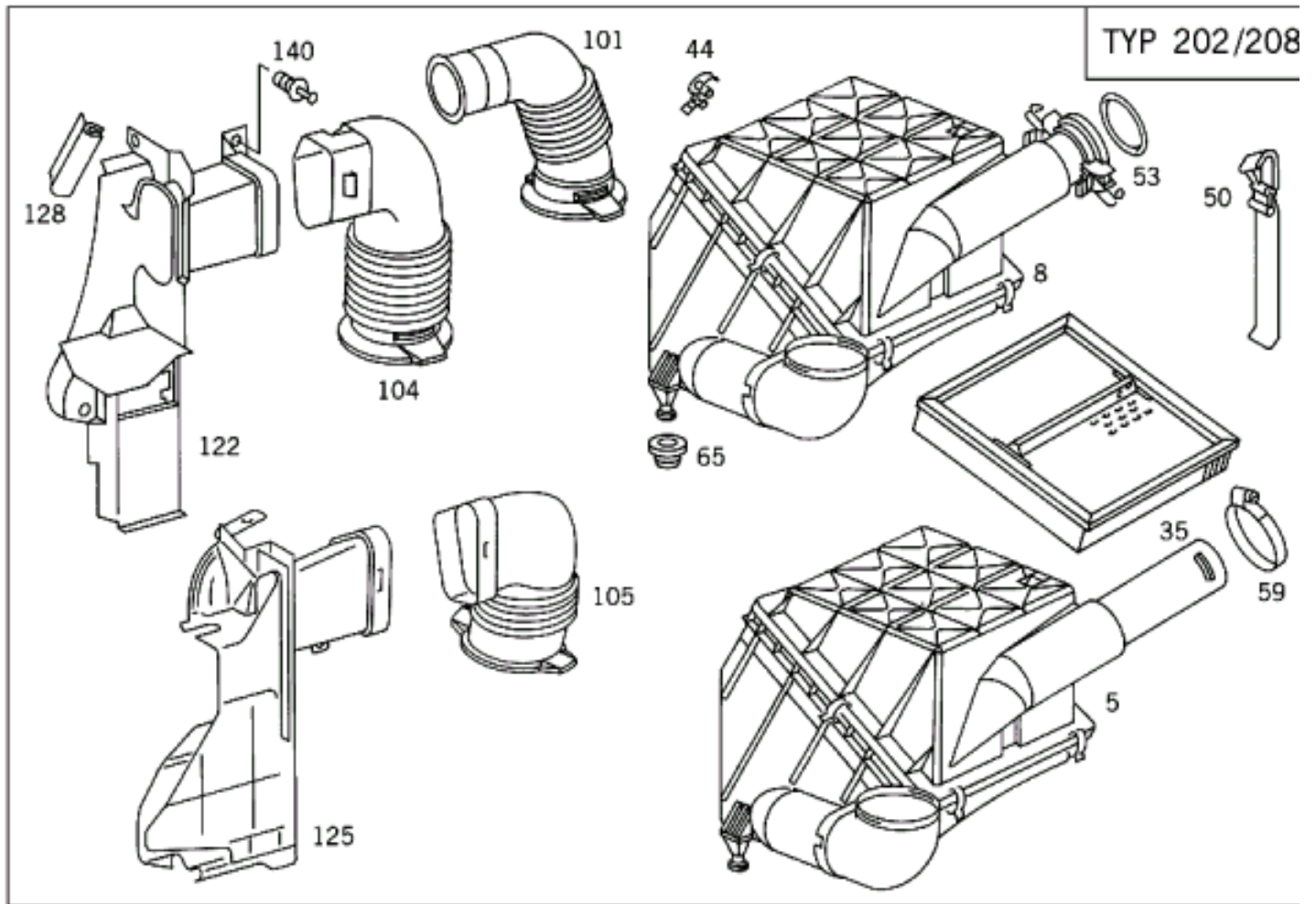
# TEMPOMAT CONTROL



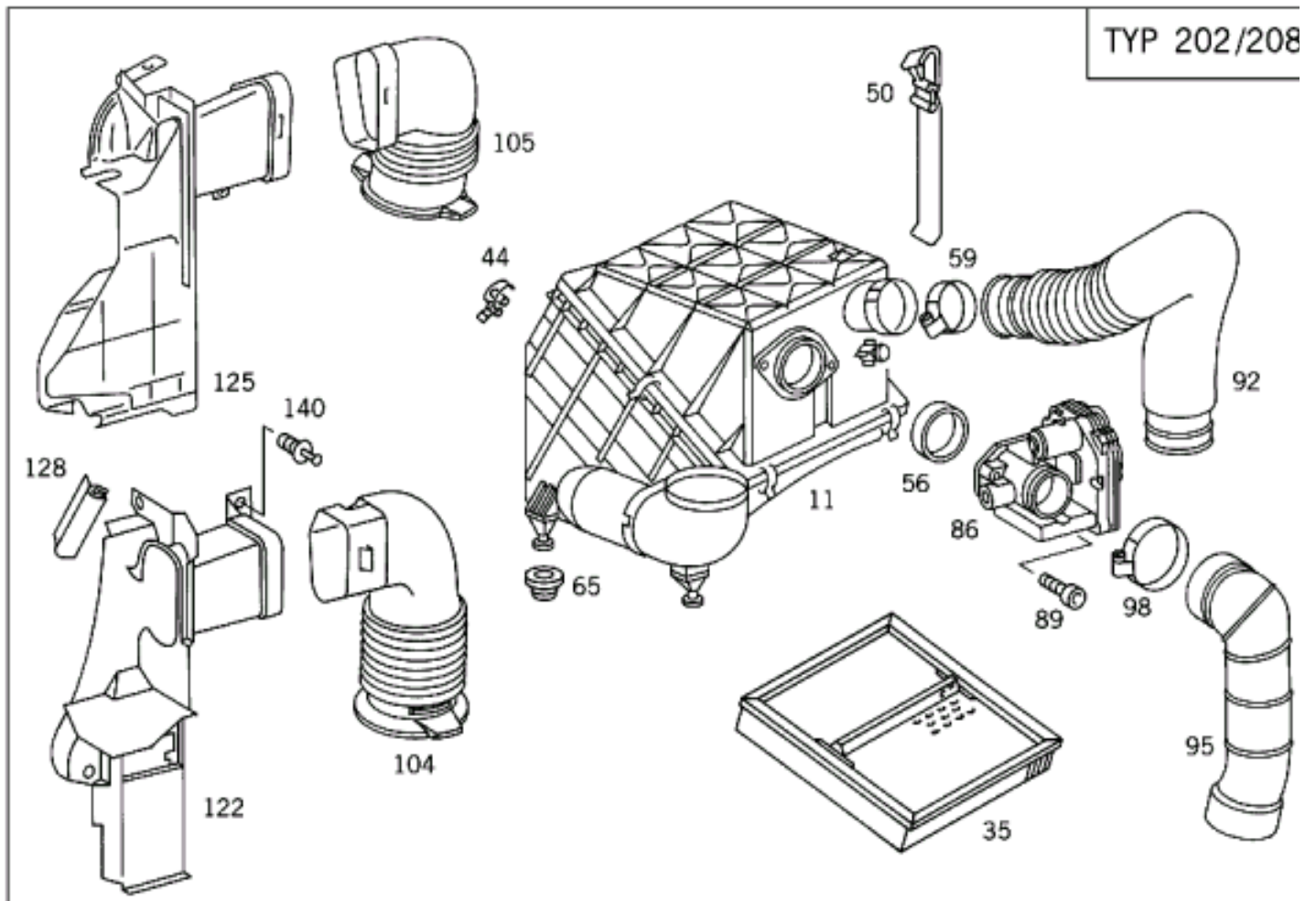
# ADDITIONAL PARTS FOR GAS OPERATION



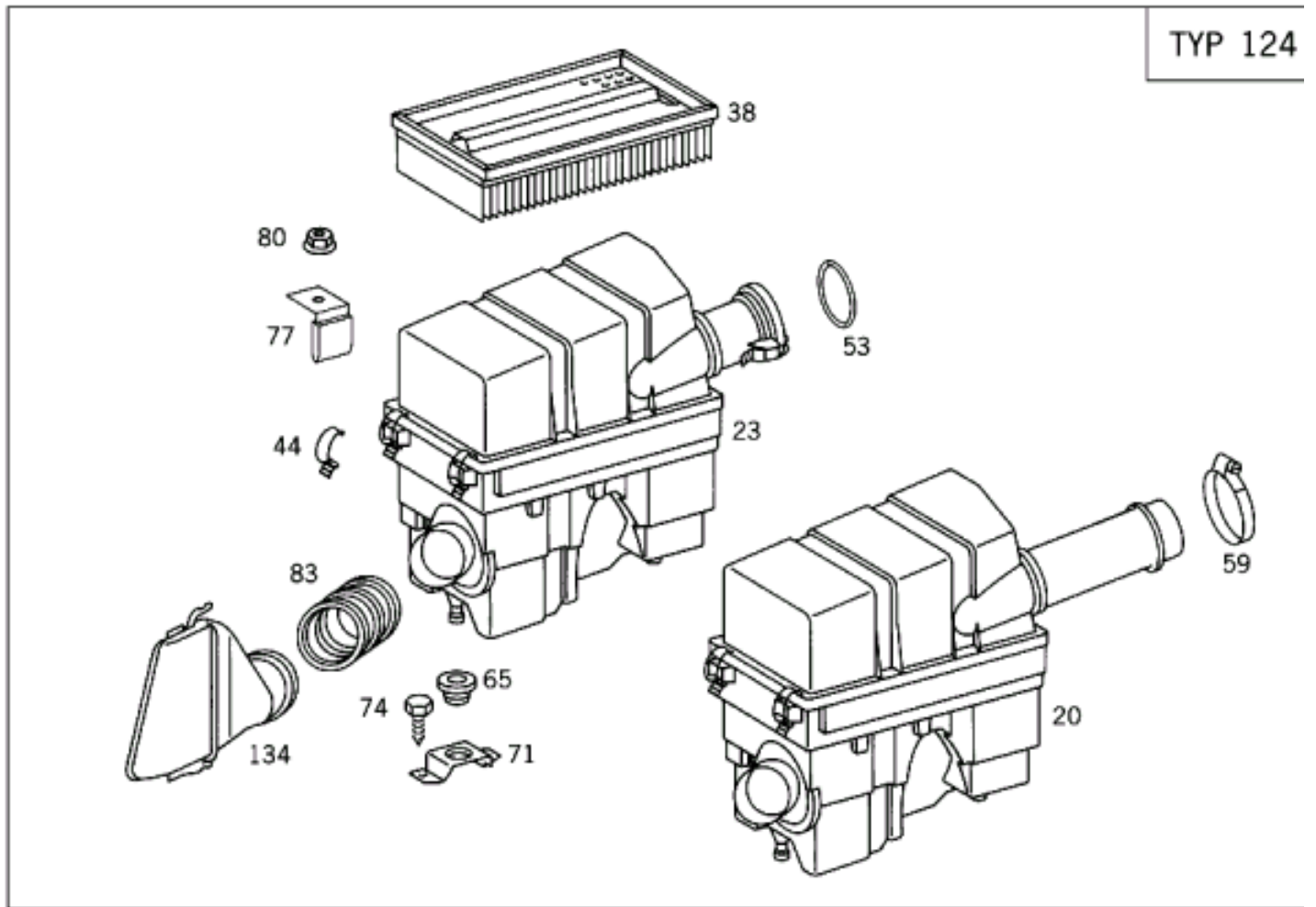
AIR CLEANER



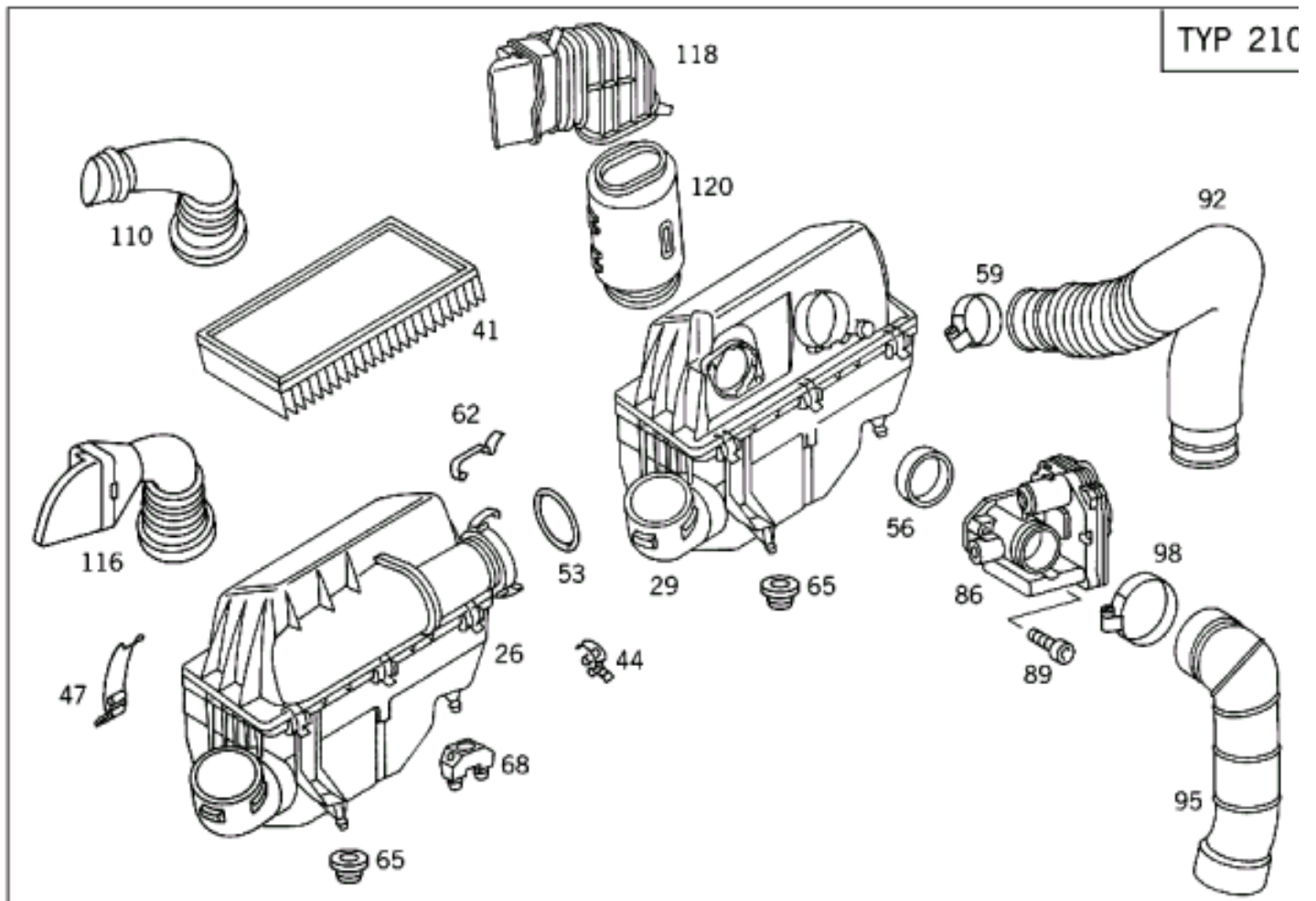
AIR CLEANER



AIR CLEANER

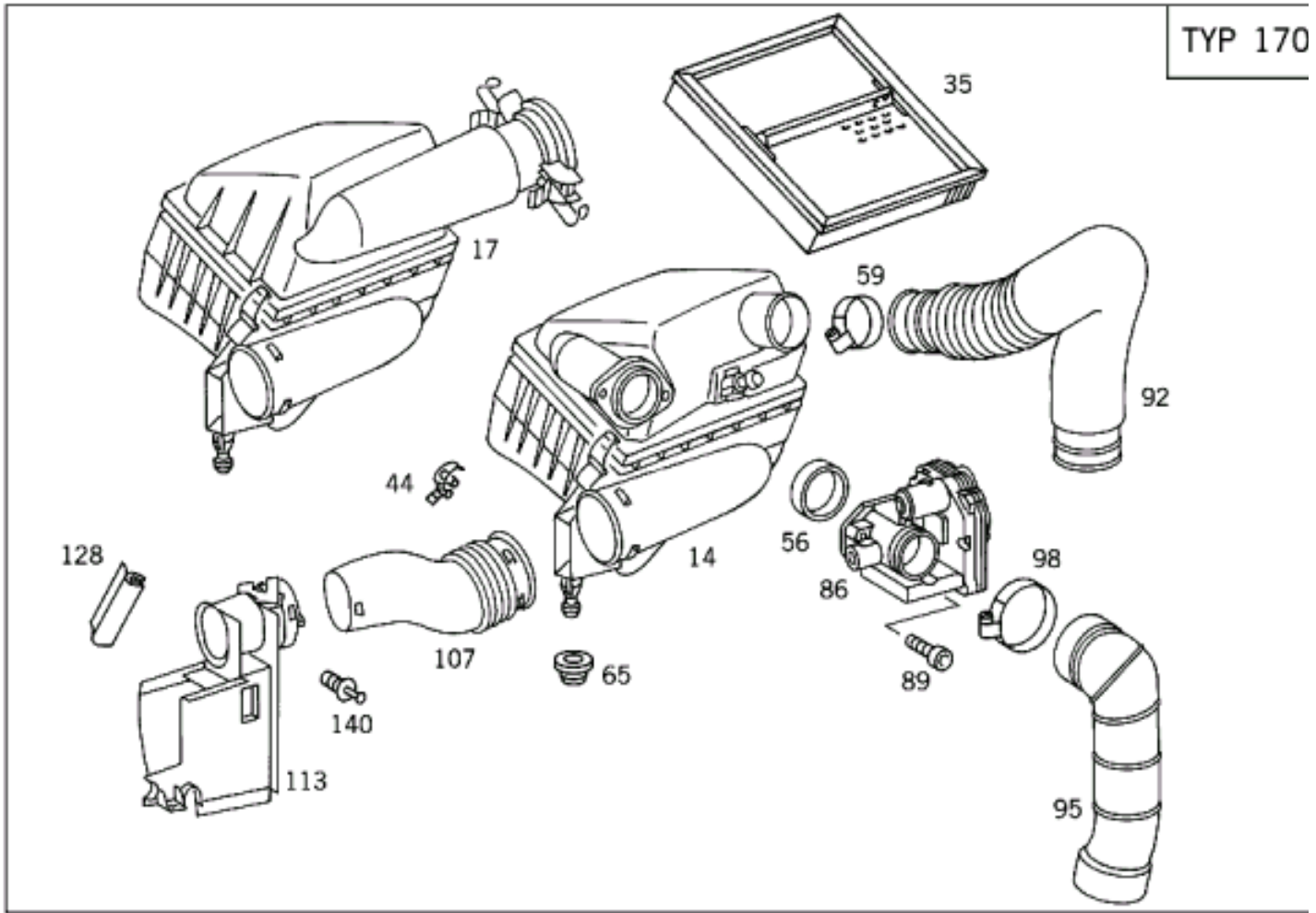


AIR CLEANER

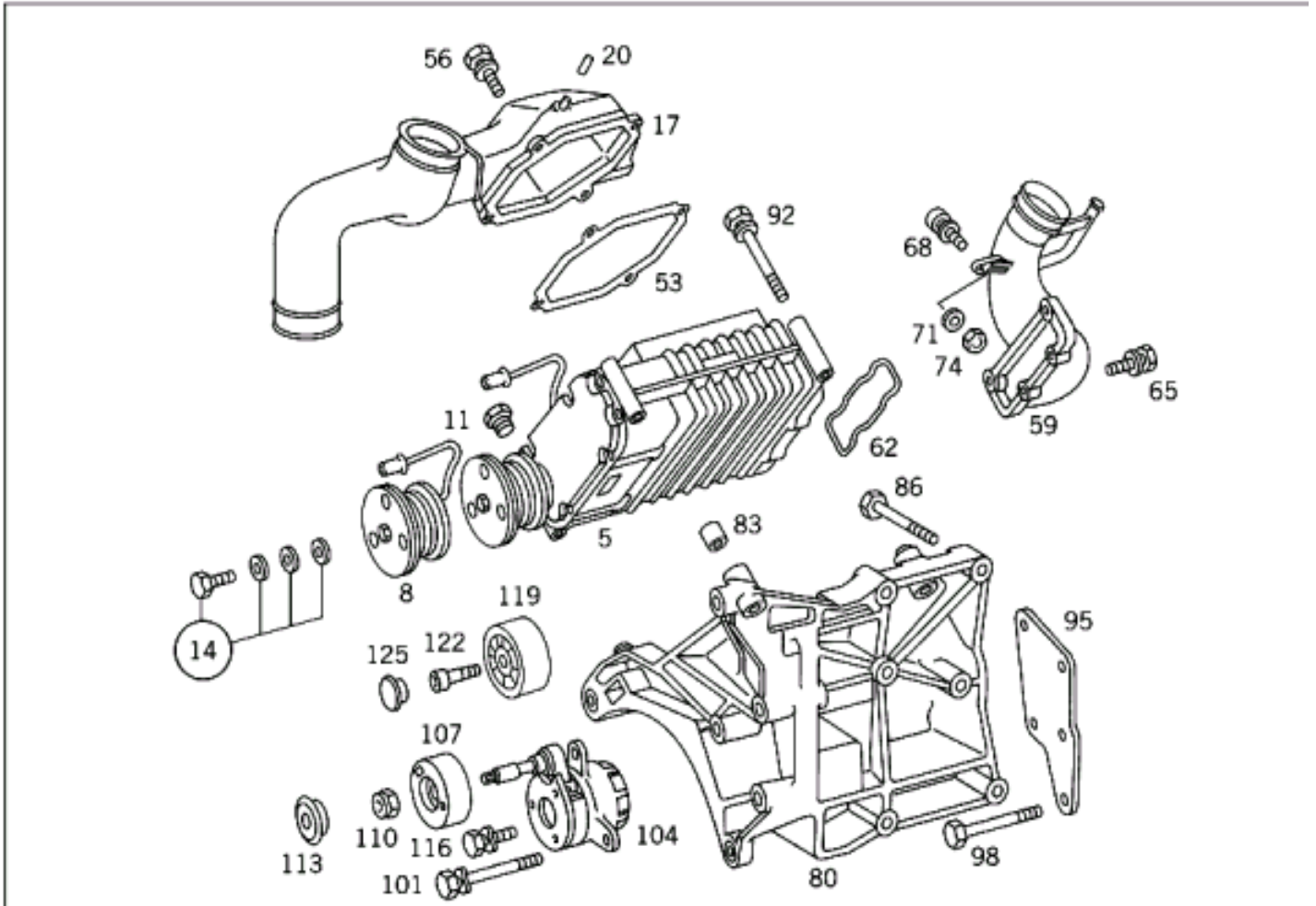


# AIR CLEANER

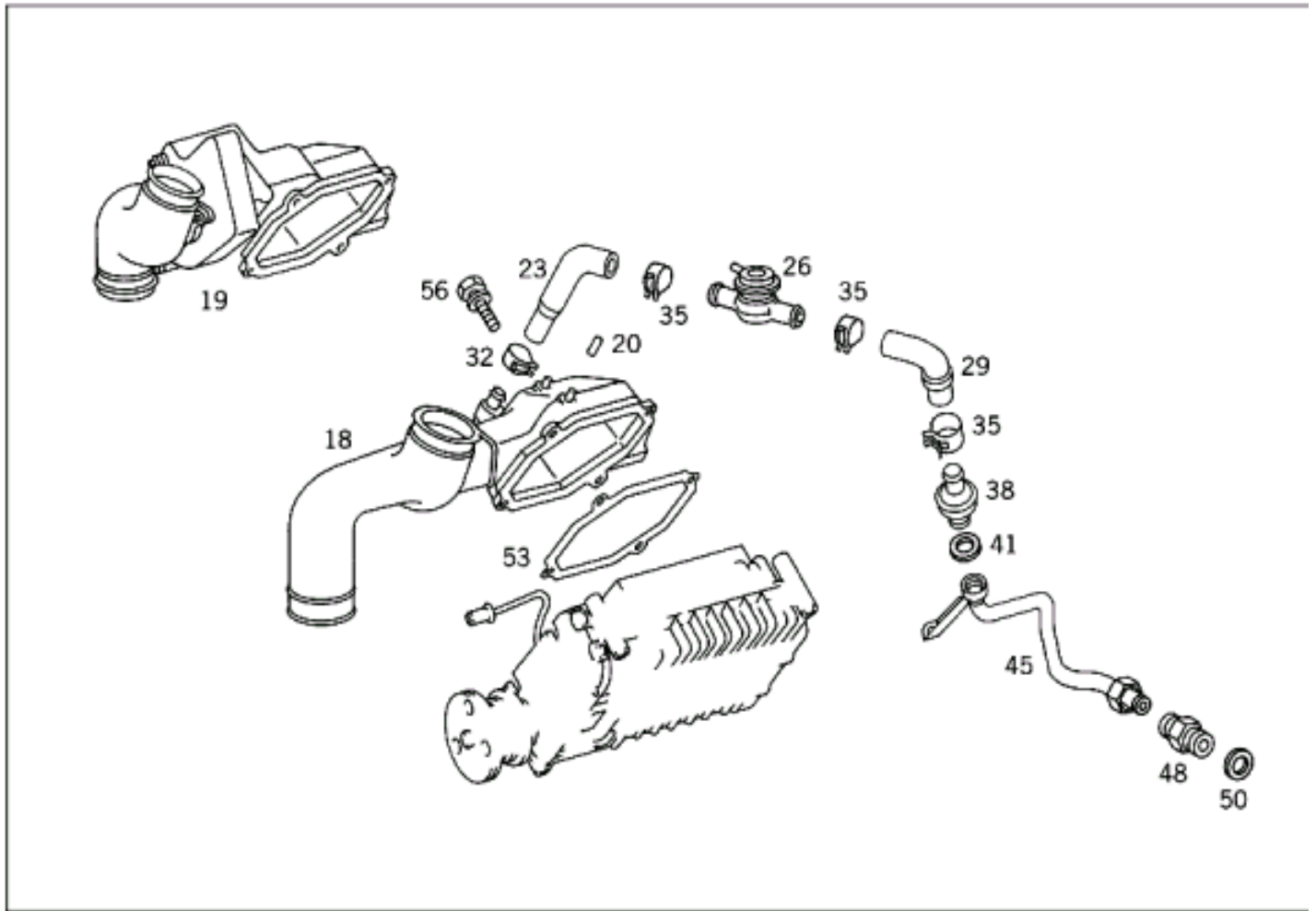
TYP 170



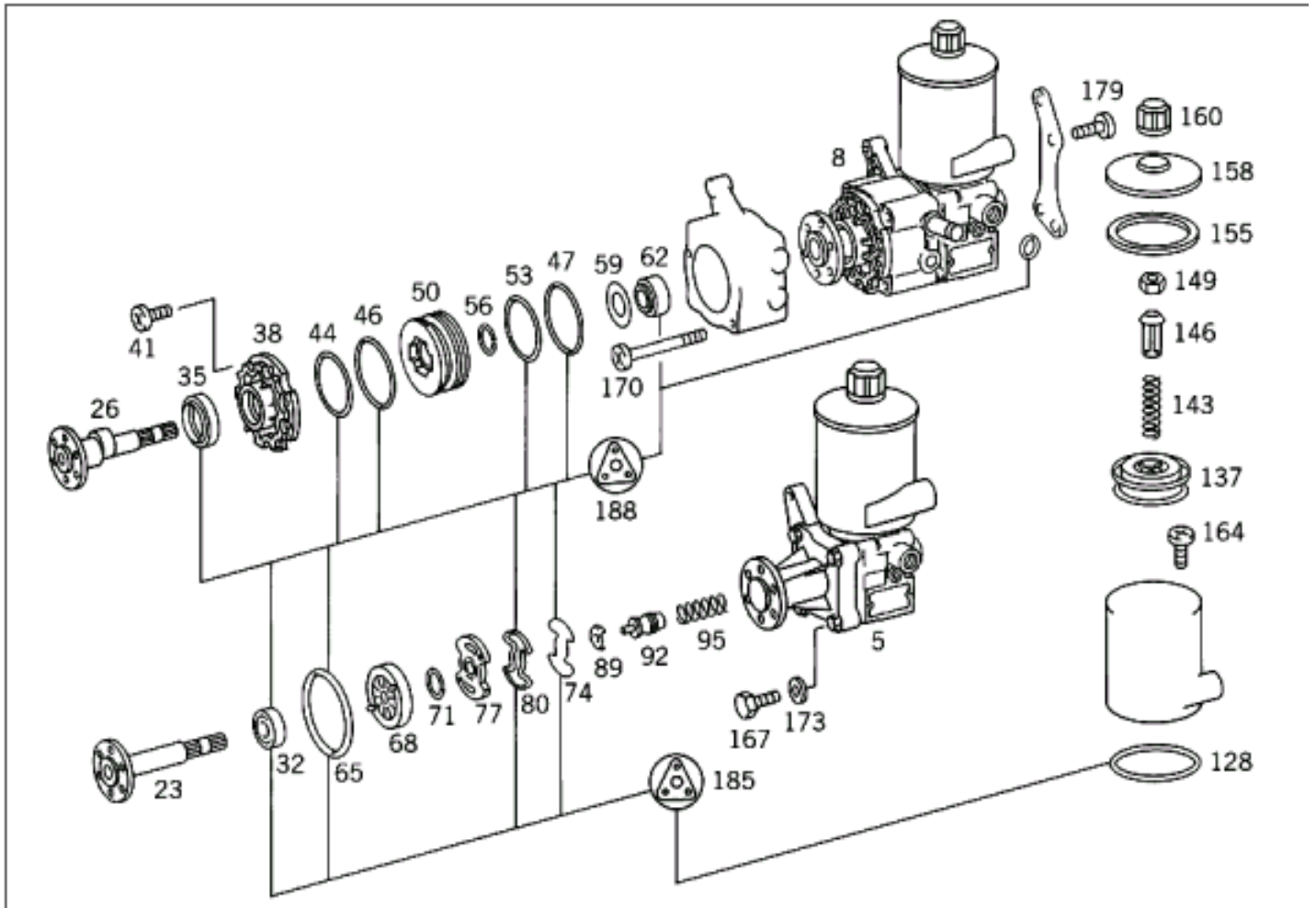
# COMRESSOR



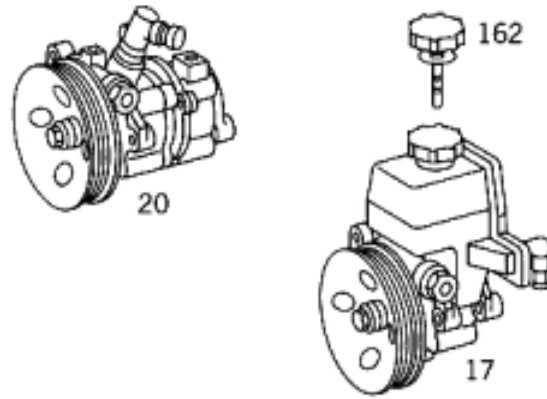
# COMPRESSOR



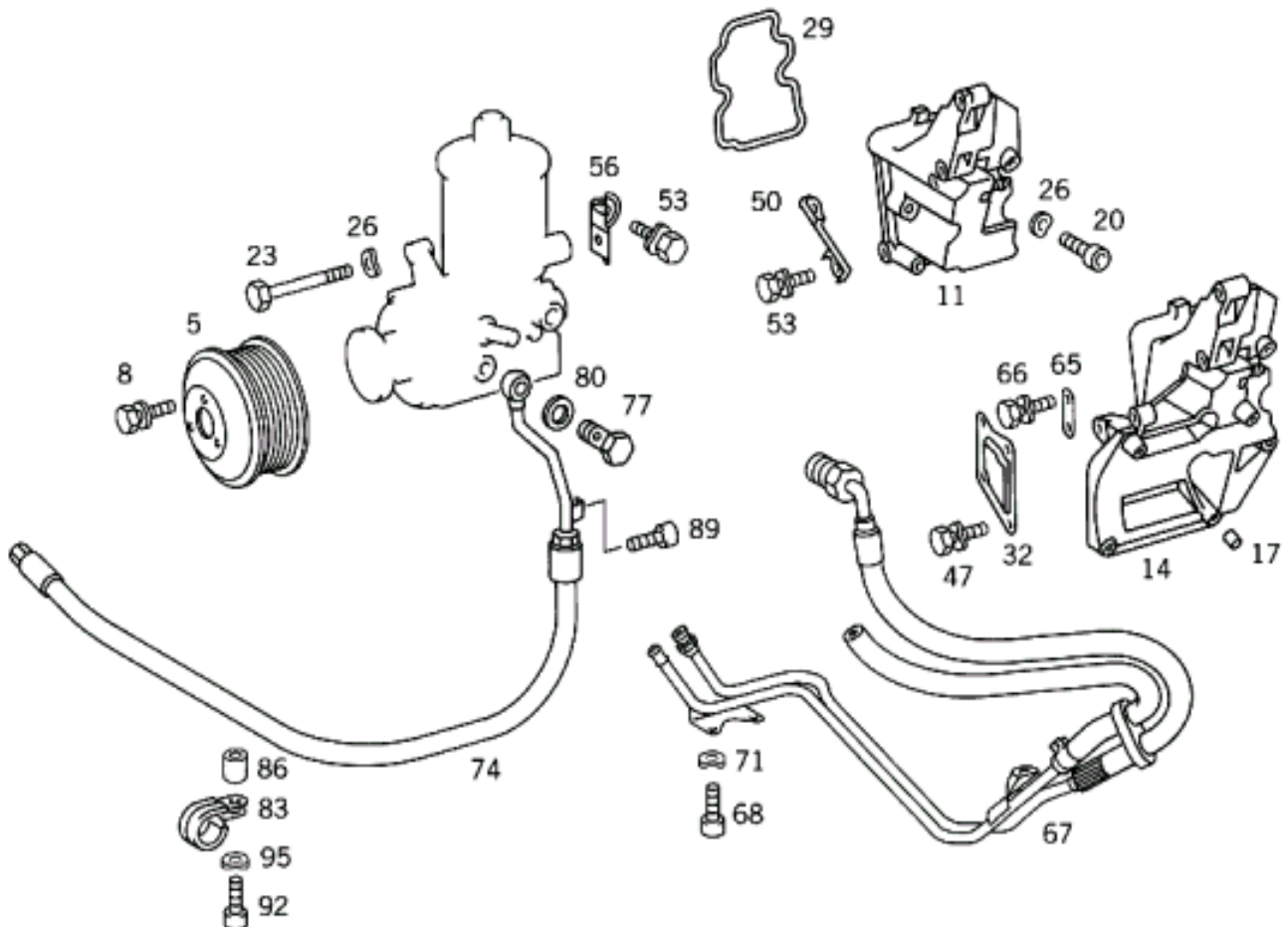
# TANDEM PUMP AND POWER STEERING PUMP



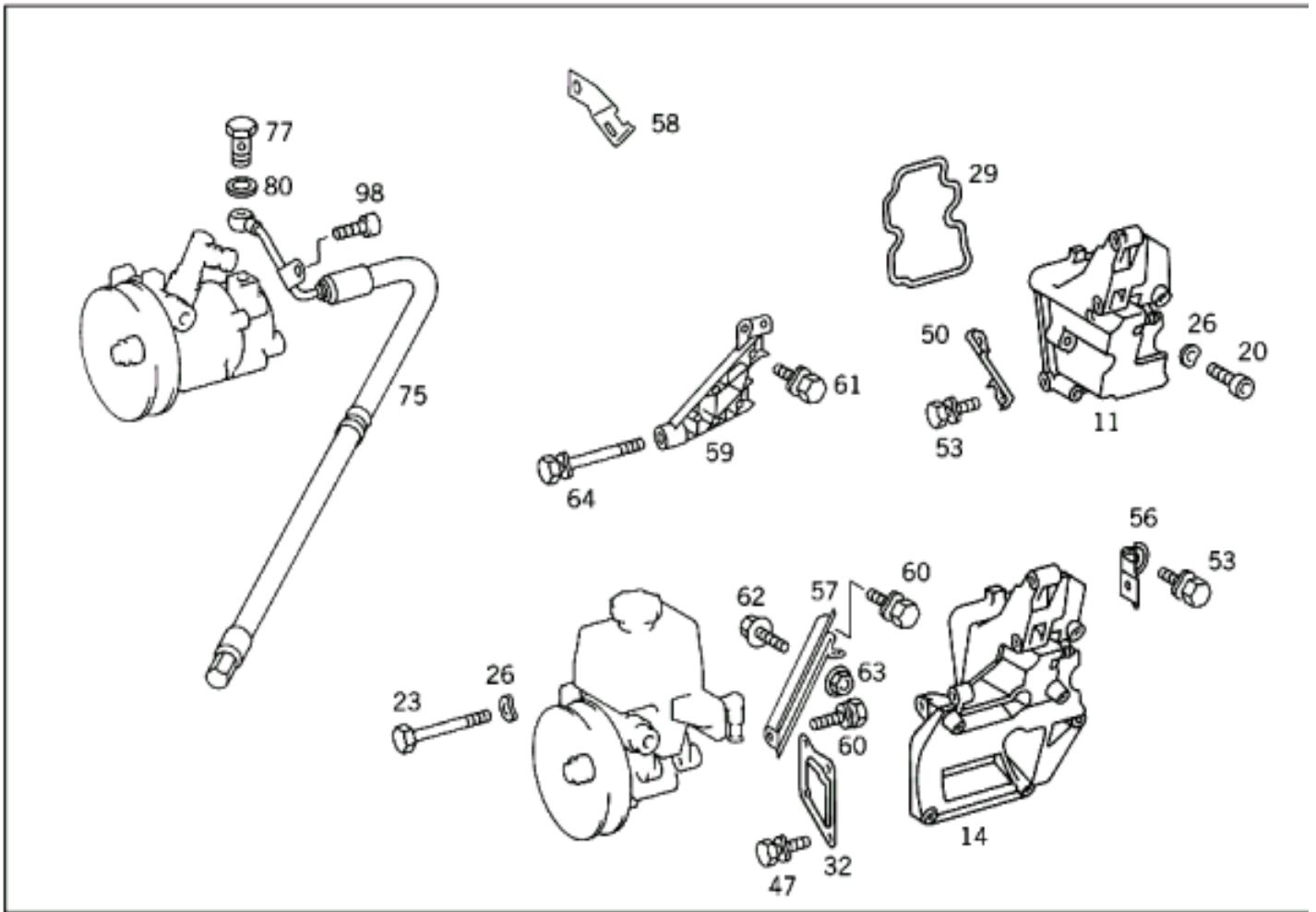
# TANDEM PUMP AND POWER STEERING PUMP



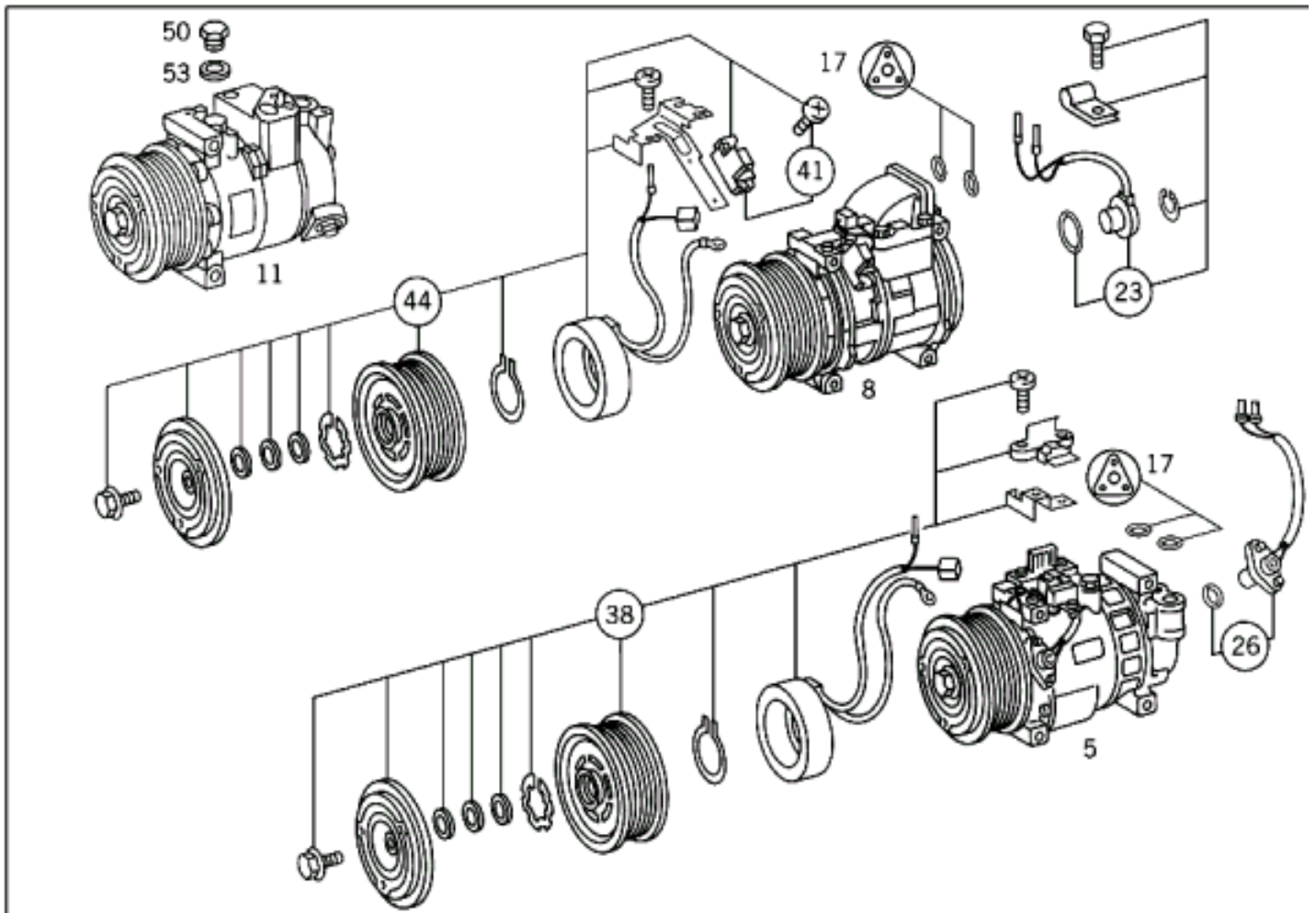
# ATTACHMENT PARTS USED W/POWER STEERING PUMP



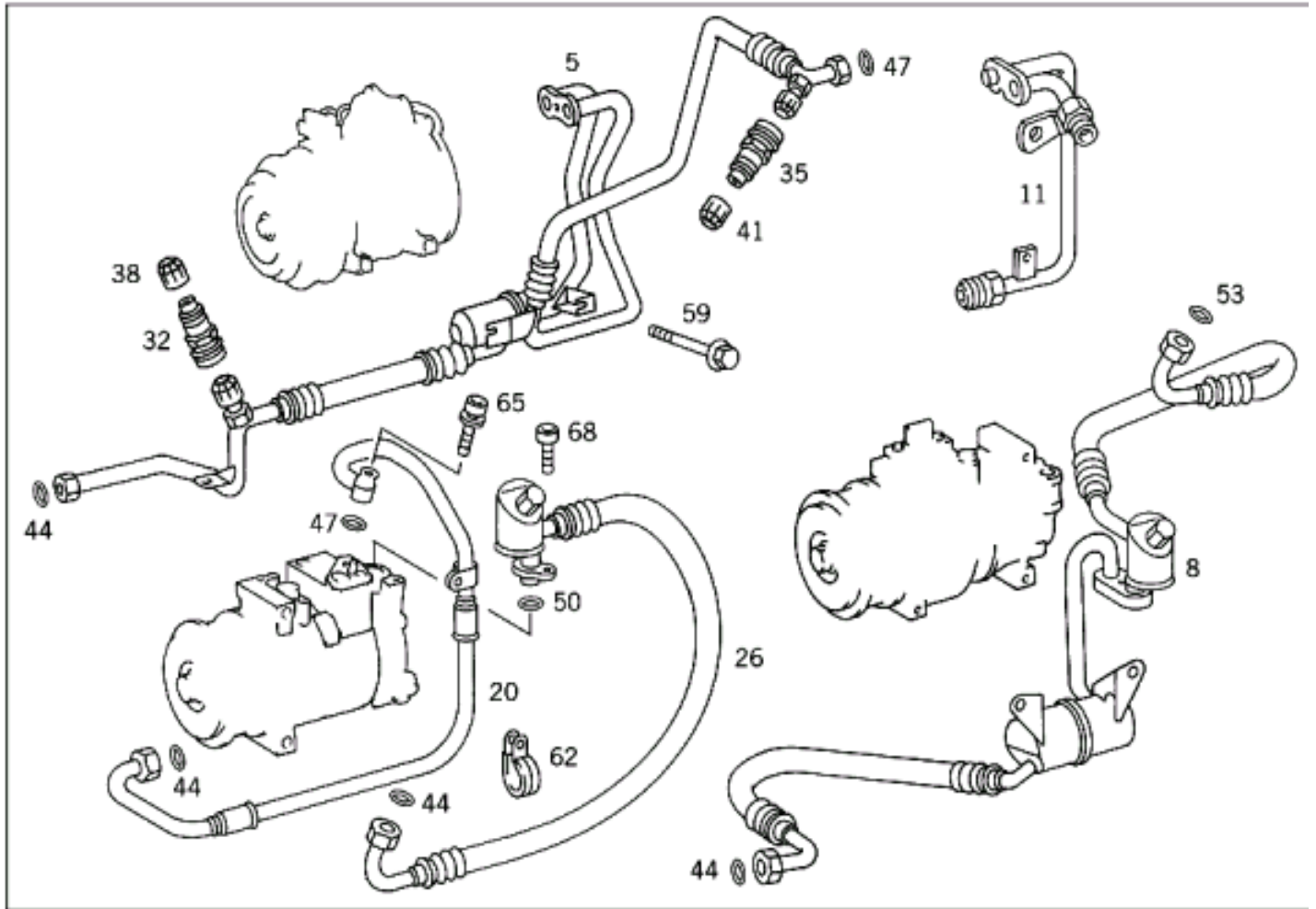
ATTACHMENT PARTS USED W/POWER STEERING PUMP



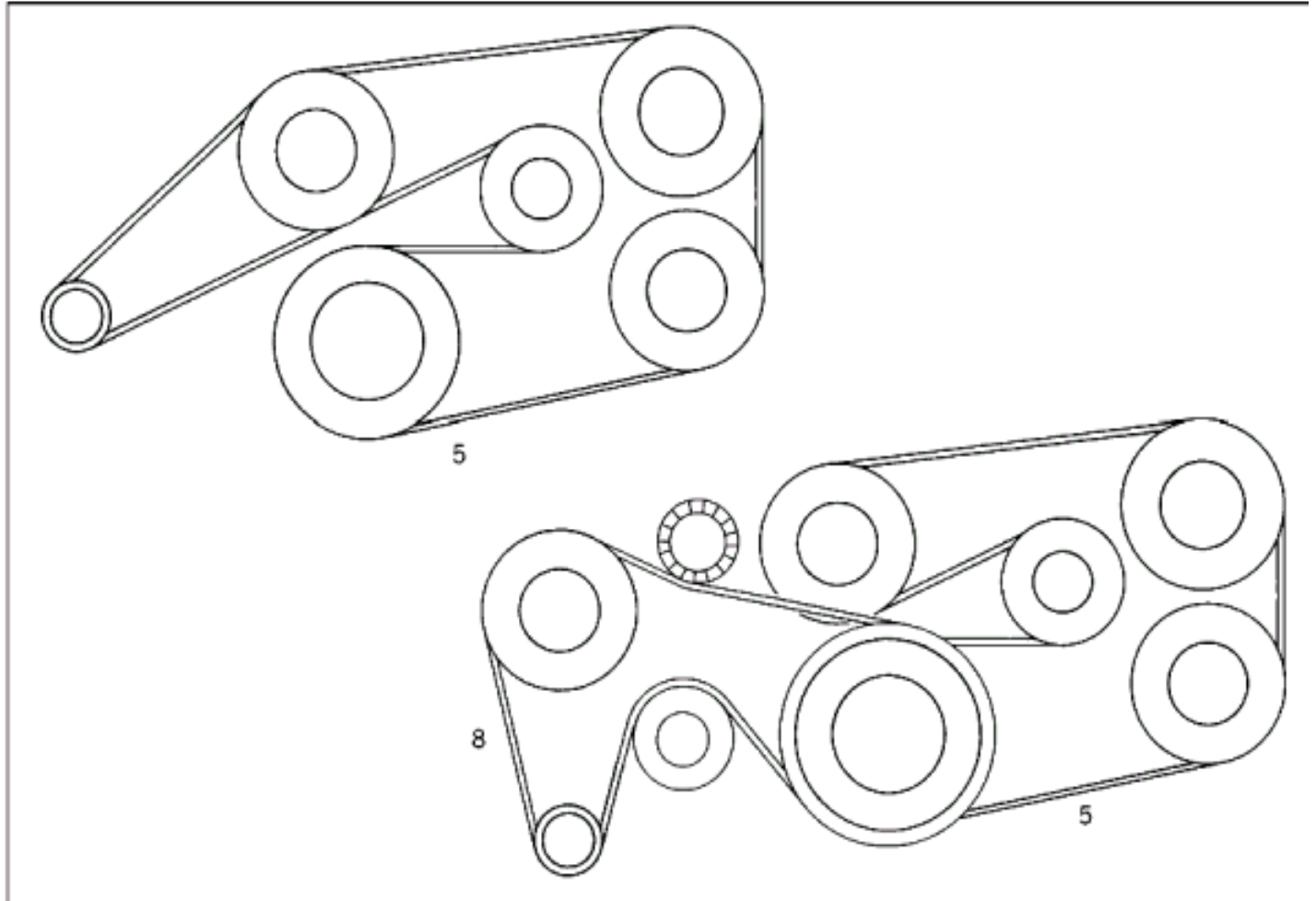
REFRIGERANT COMPRESSOR



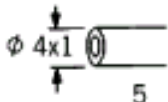
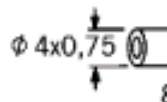
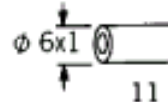
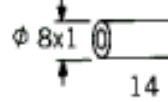
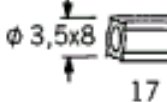
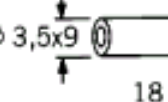

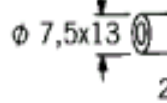
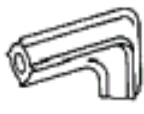




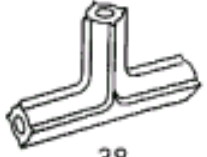







# REFRIGERANT COMPRESSOR ATTACHMENT PARTS



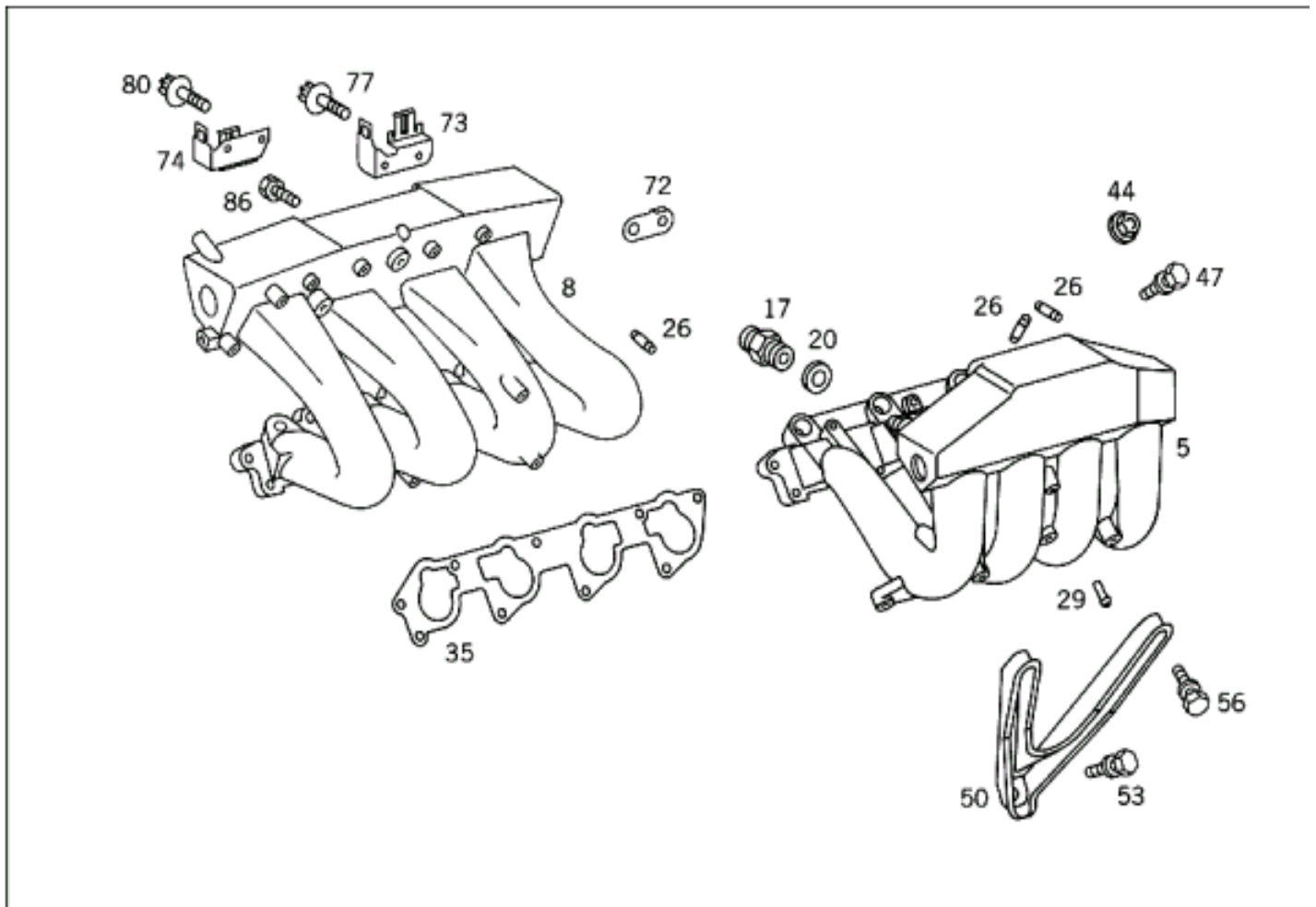
# V-BELTS



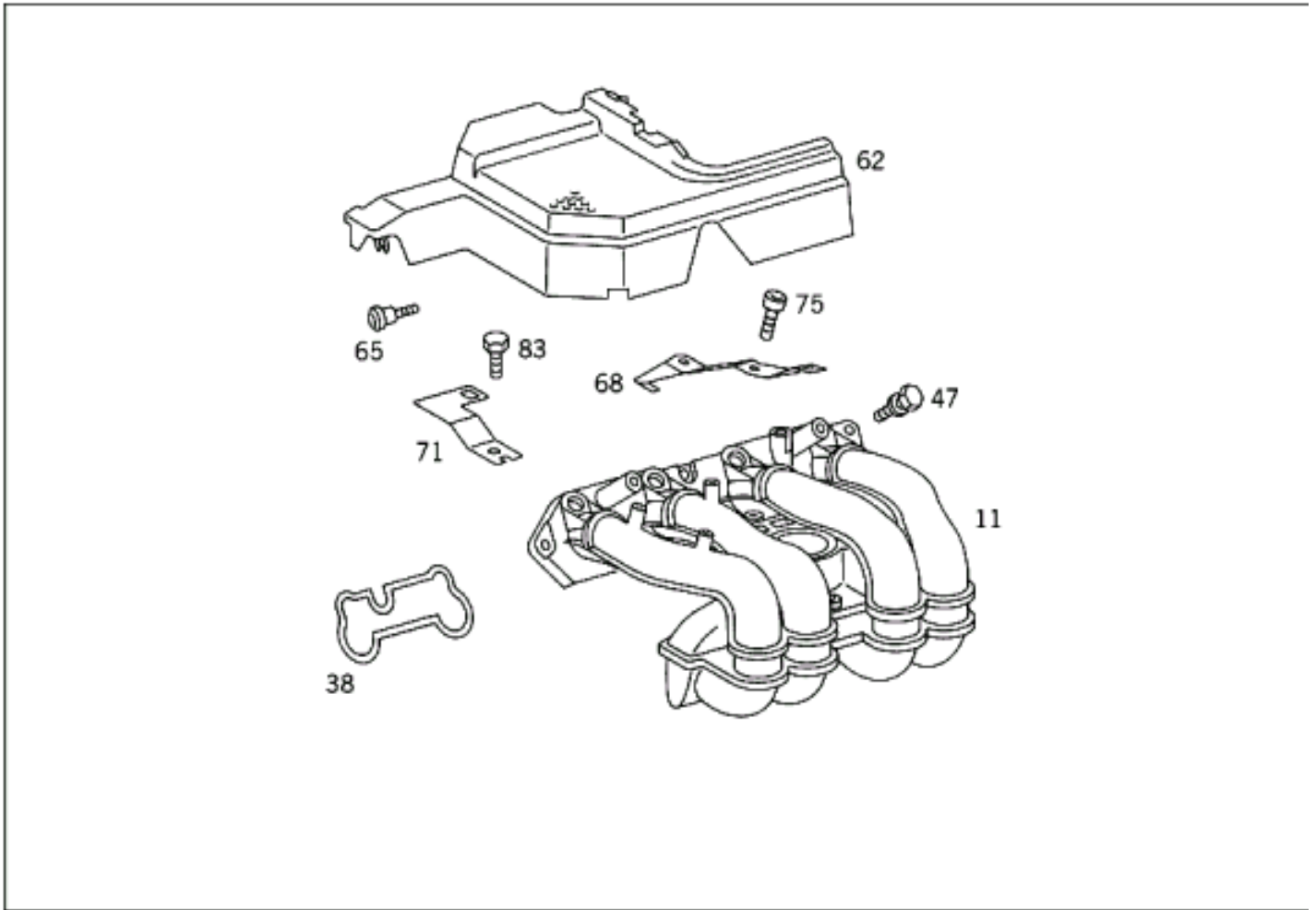
COLLECTIVE ILLUSTRATION VACUUM SYSTEM CONNECTING PARTS

 5	 8	 11	 14	 17	 18
 19	 20	 23	 26	 29	 32
 35	 38	 41	 44	 47	 50
 52	 54	 56			

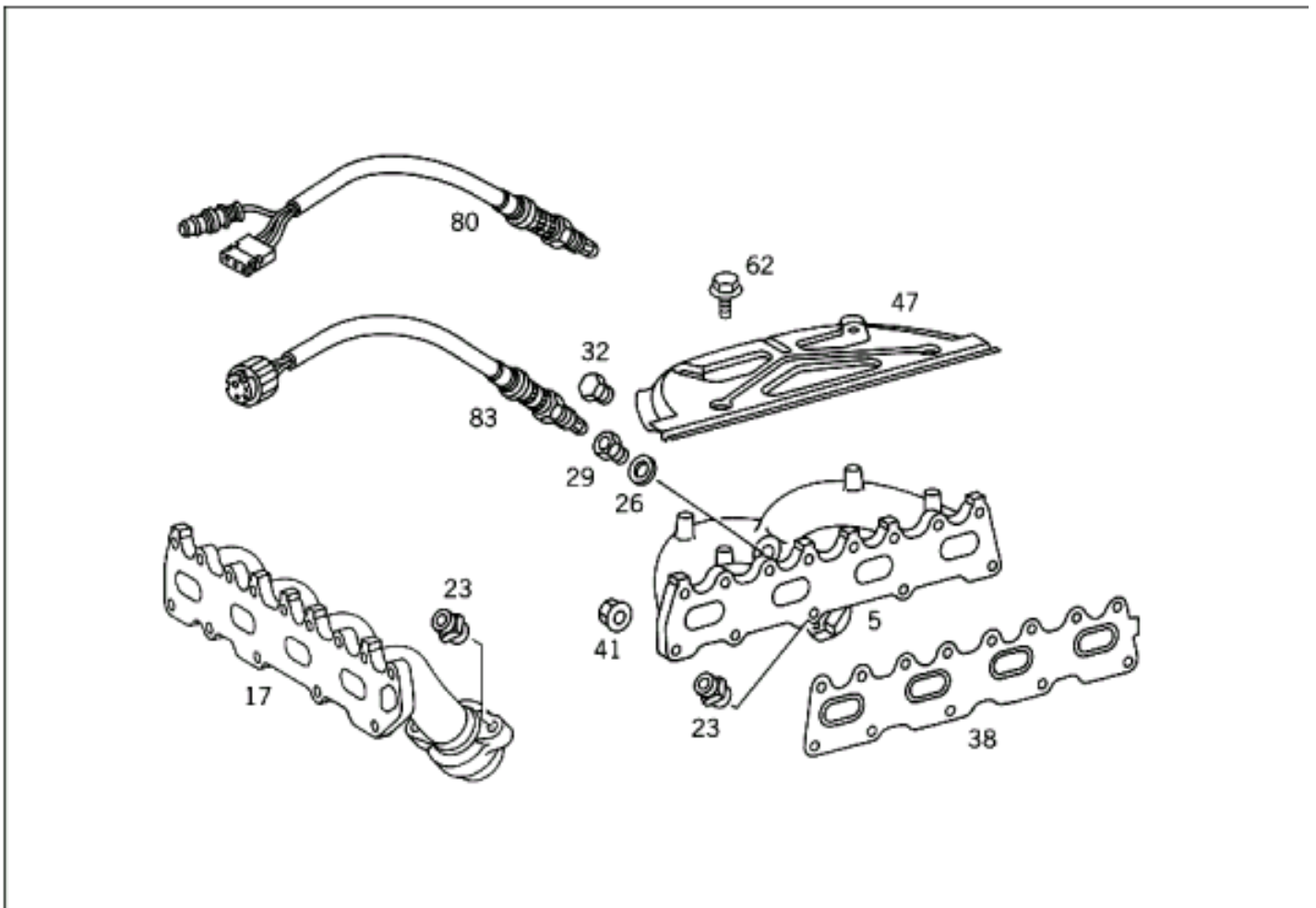
INTAKE MANIFOLD



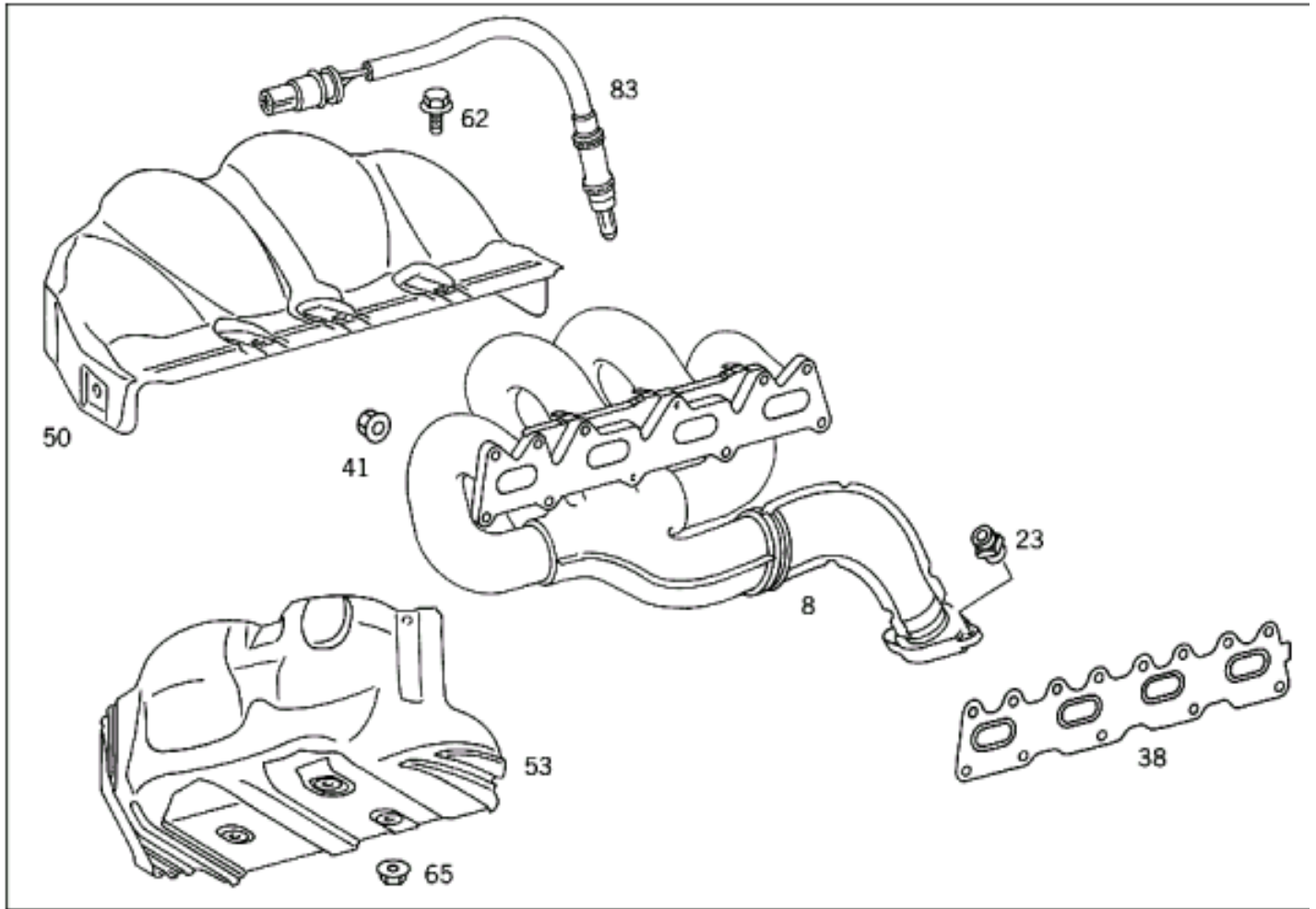
# INTAKE MANIFOLD



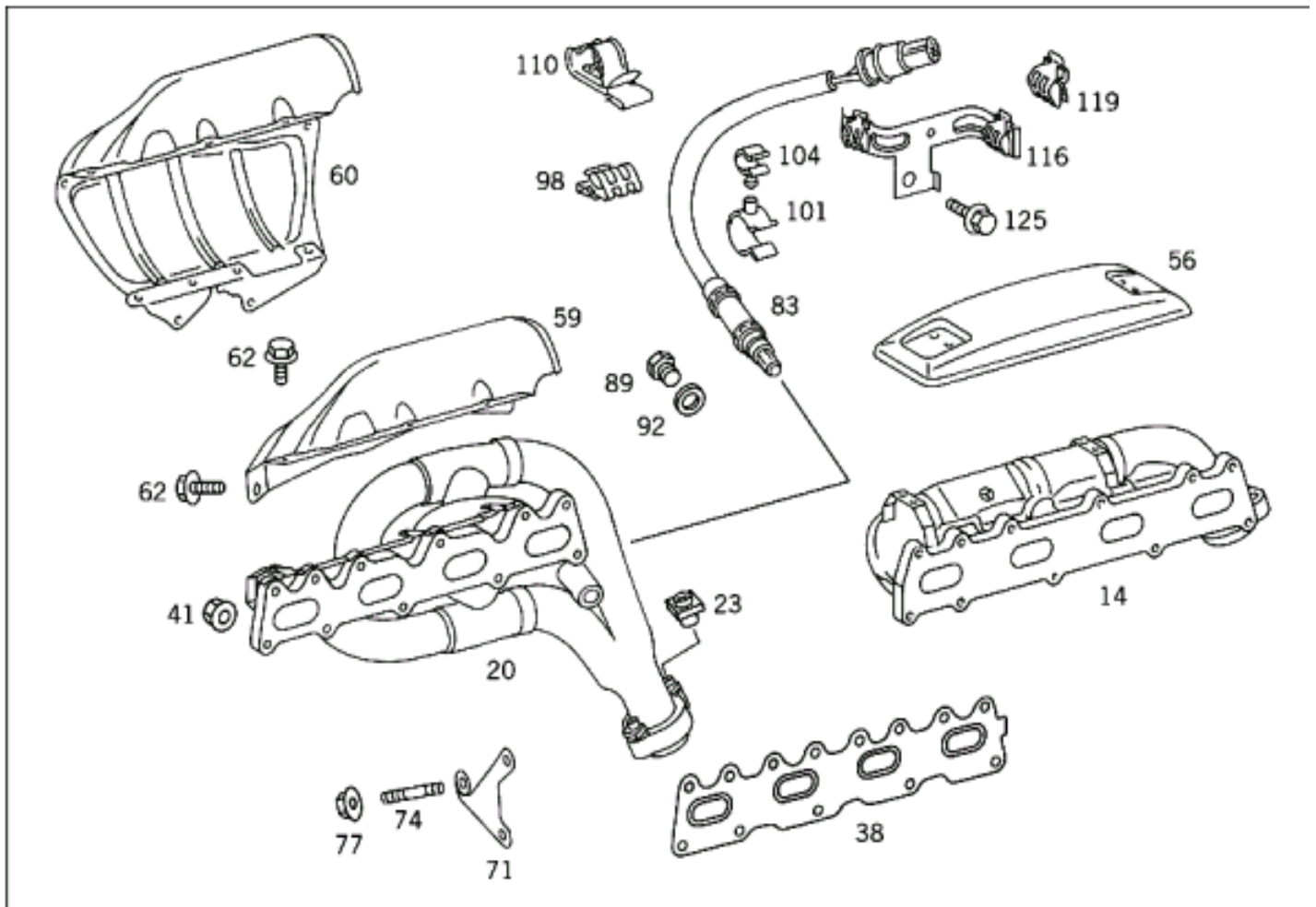
# EXHAUST MANIFOLD

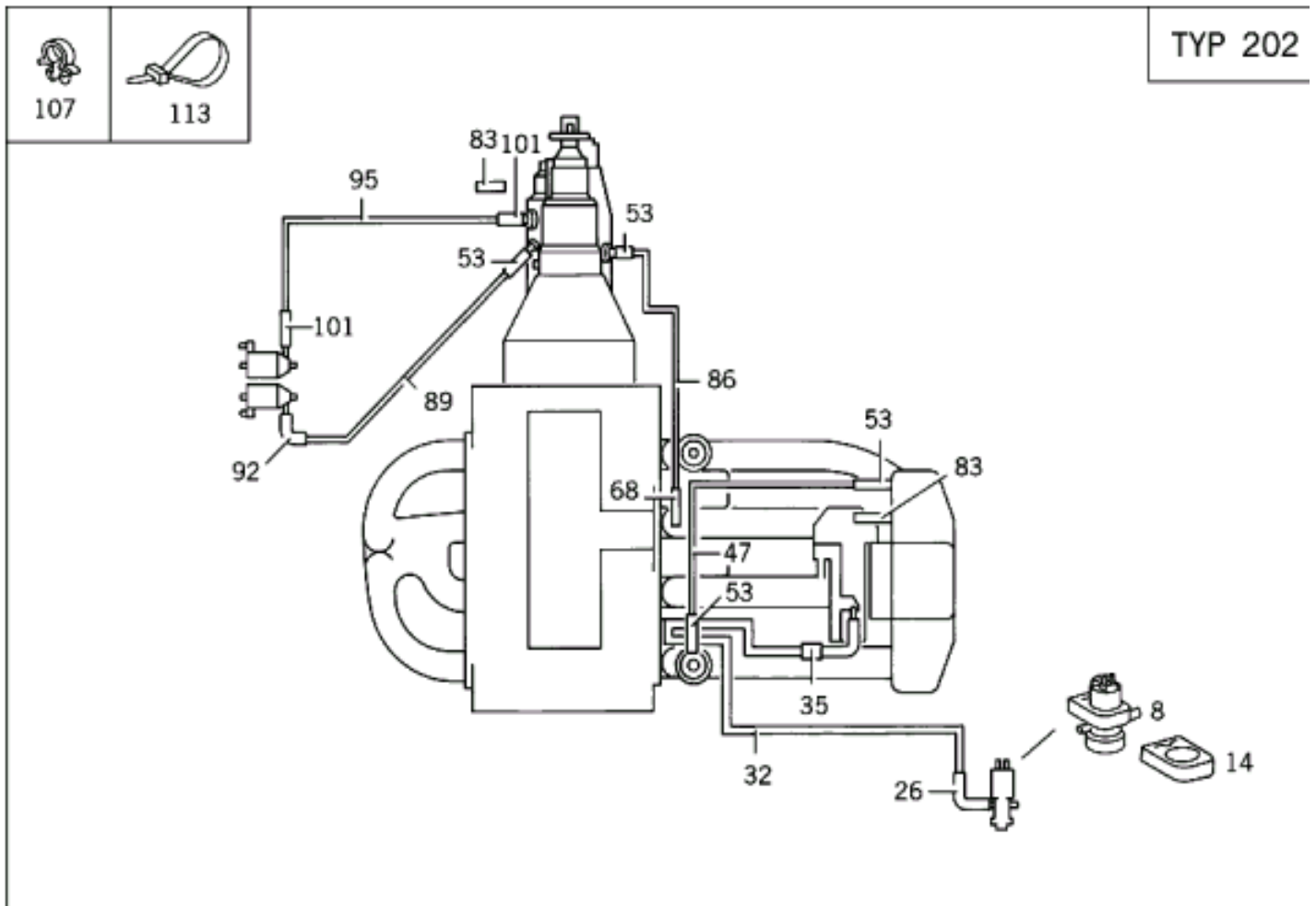
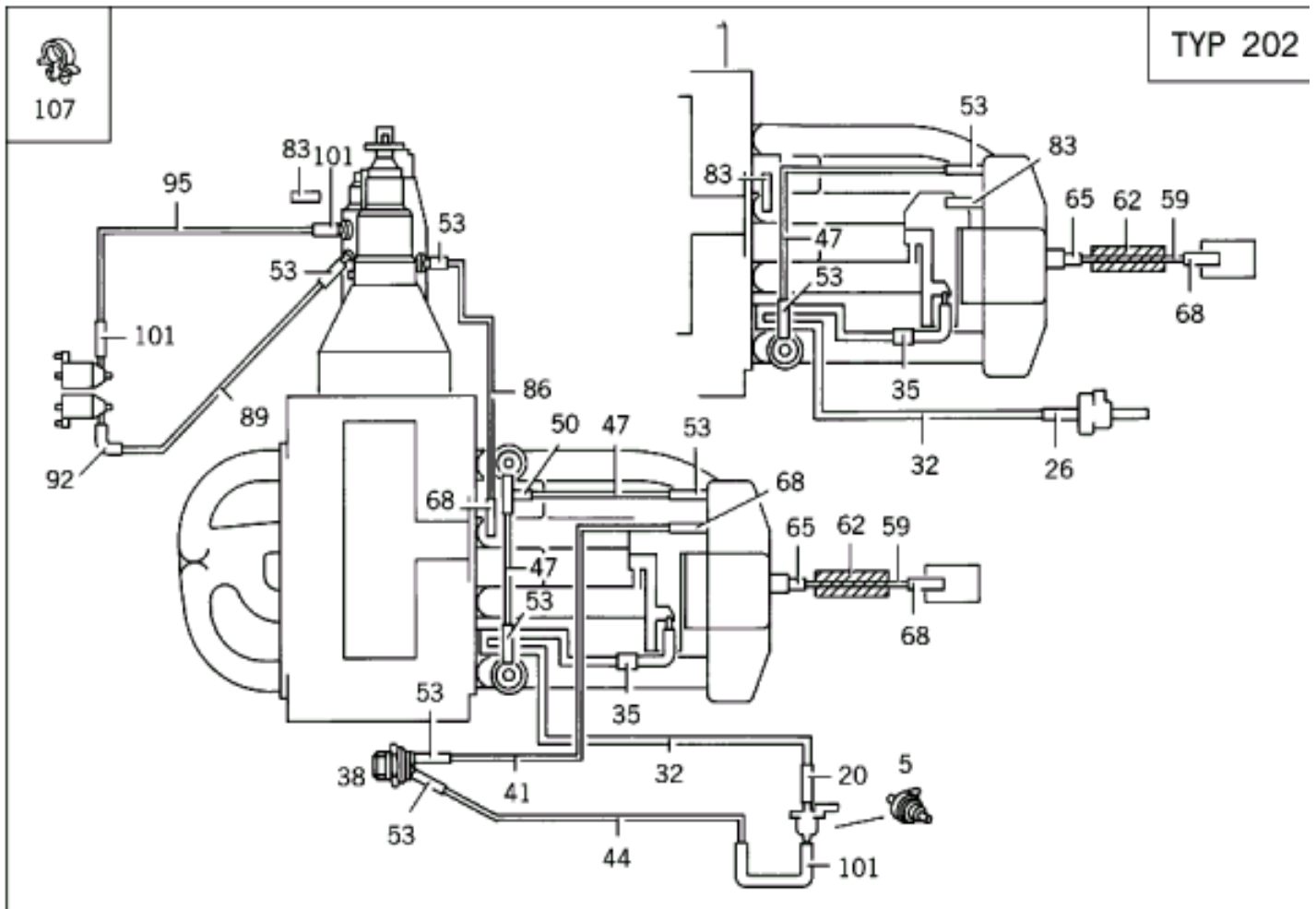


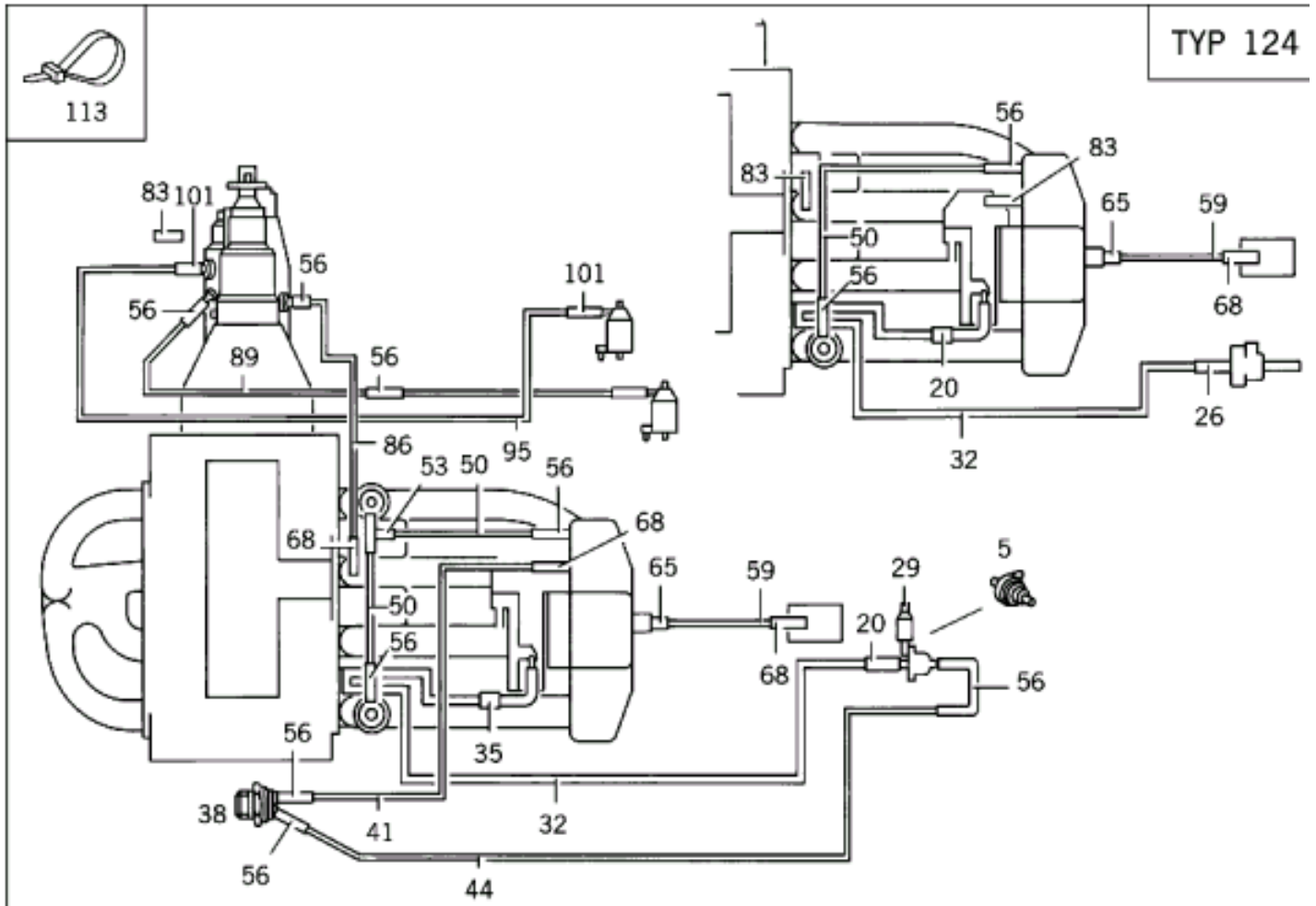
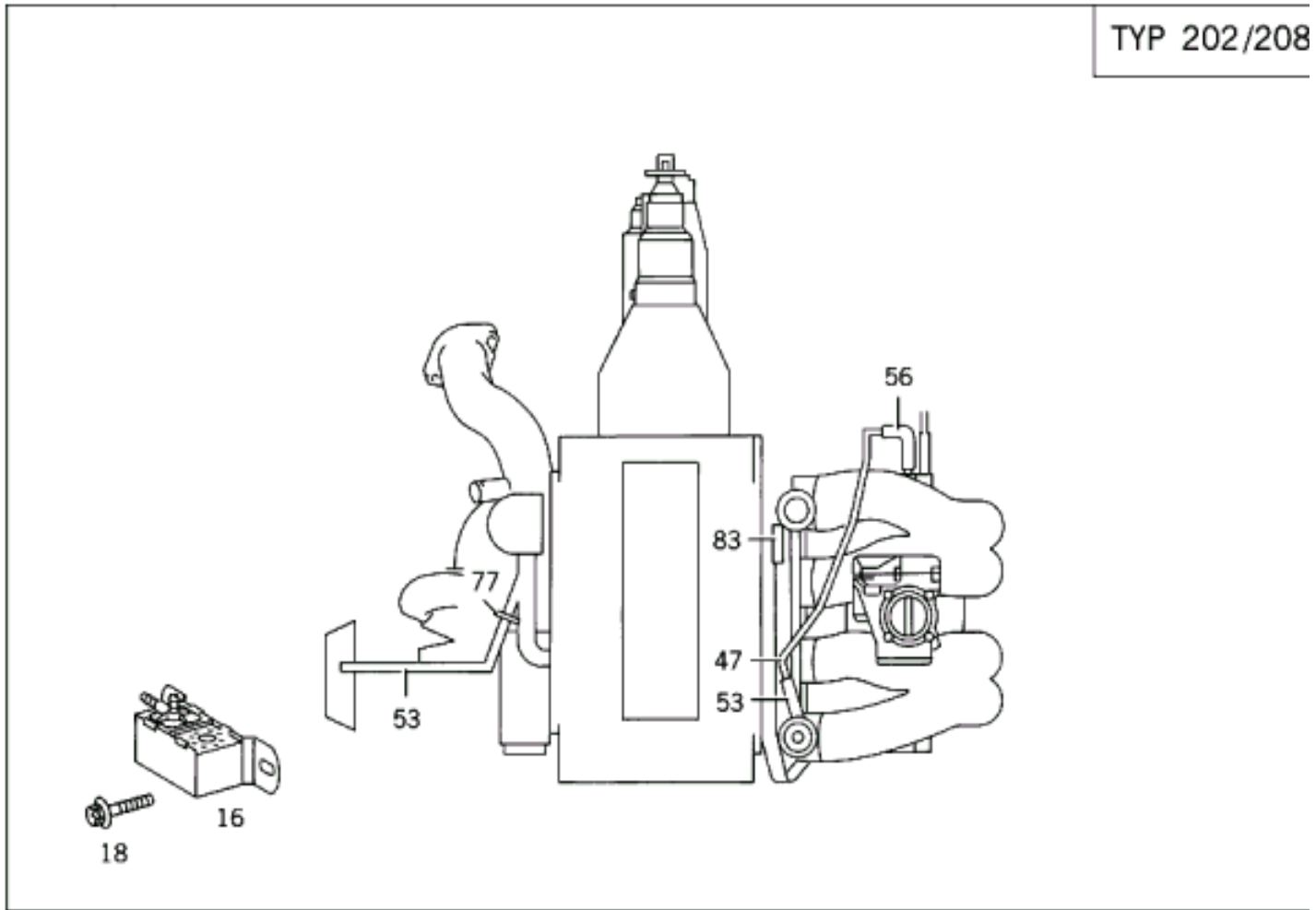
# EXHAUST MANIFOLD



# EXHAUST MANIFOLD



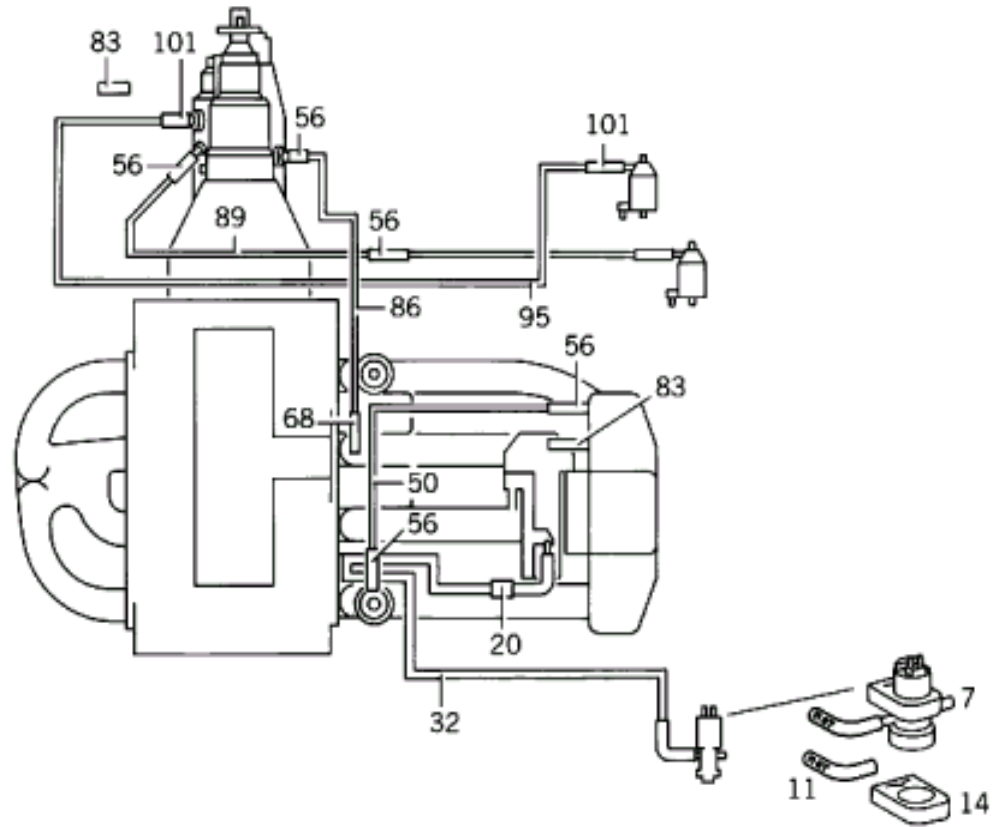




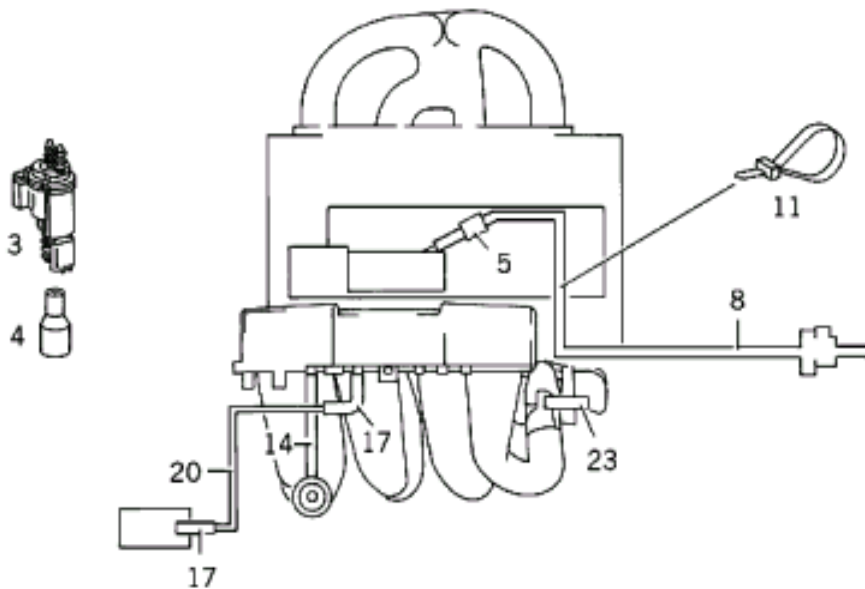


113

TYP 124

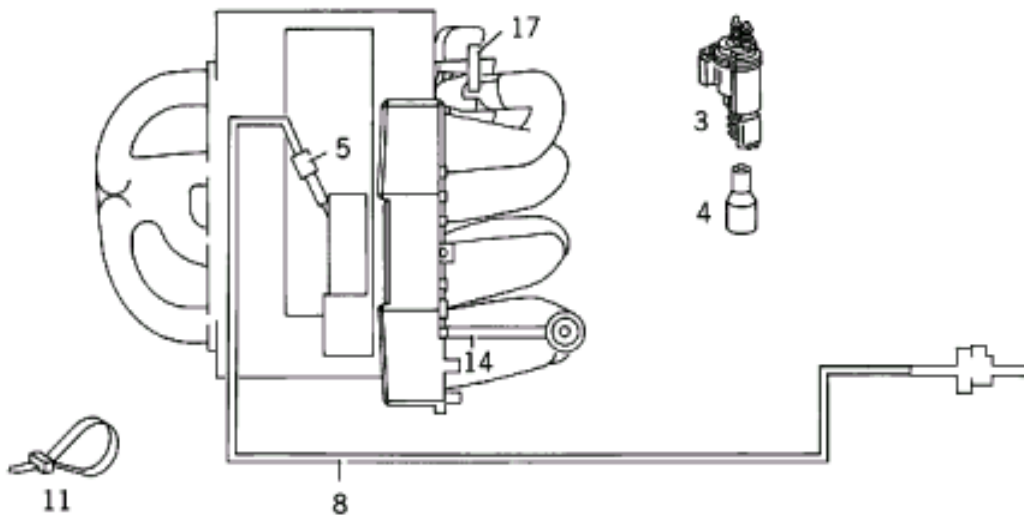


TYP TO



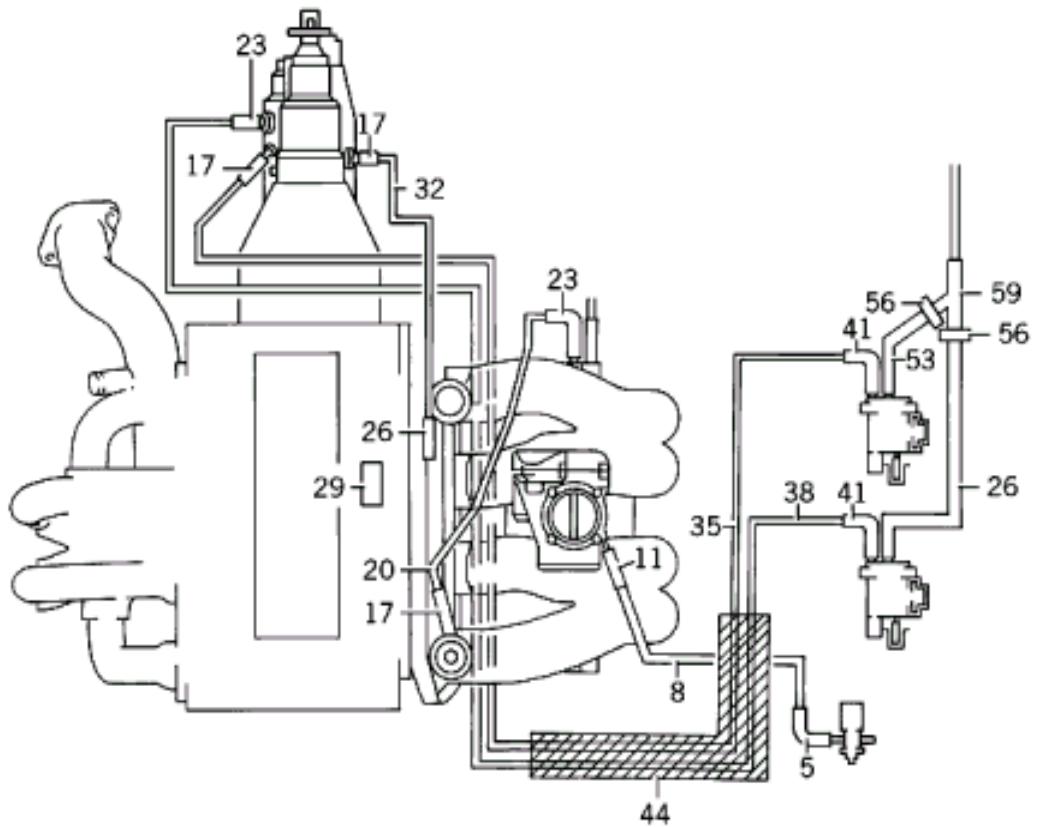
VACUUM SYSTEM T1N

TYP T1N



VACUUM SYSTEM 210

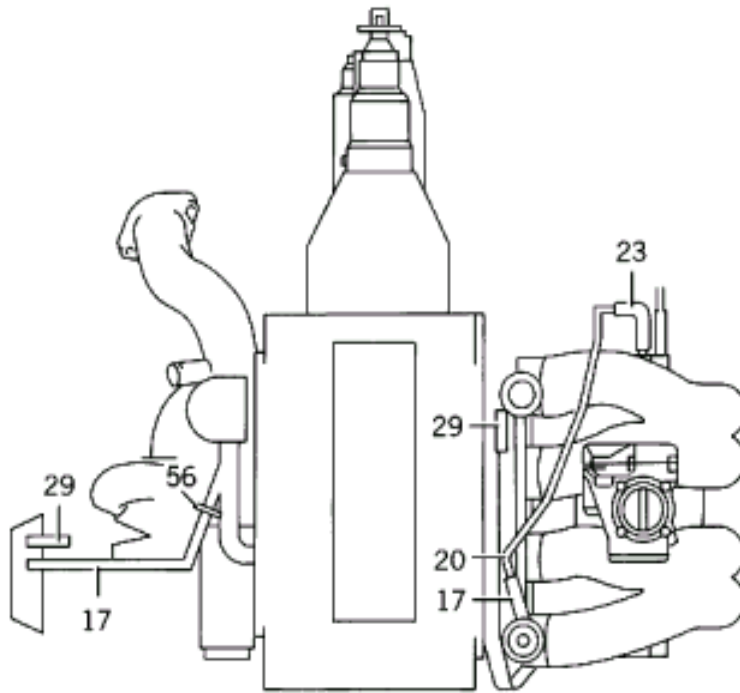
TYP 210





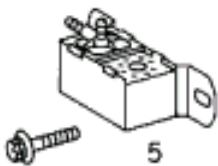
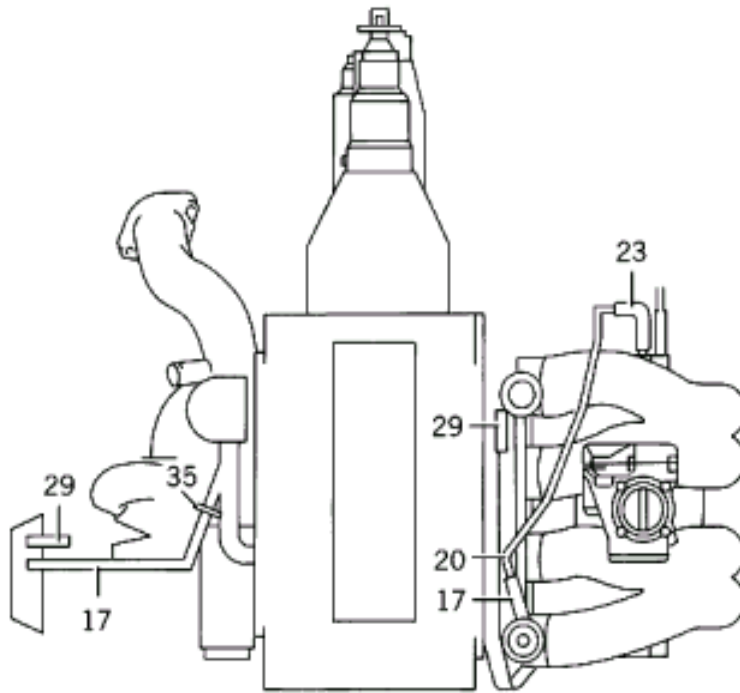
50

TYP 210



50

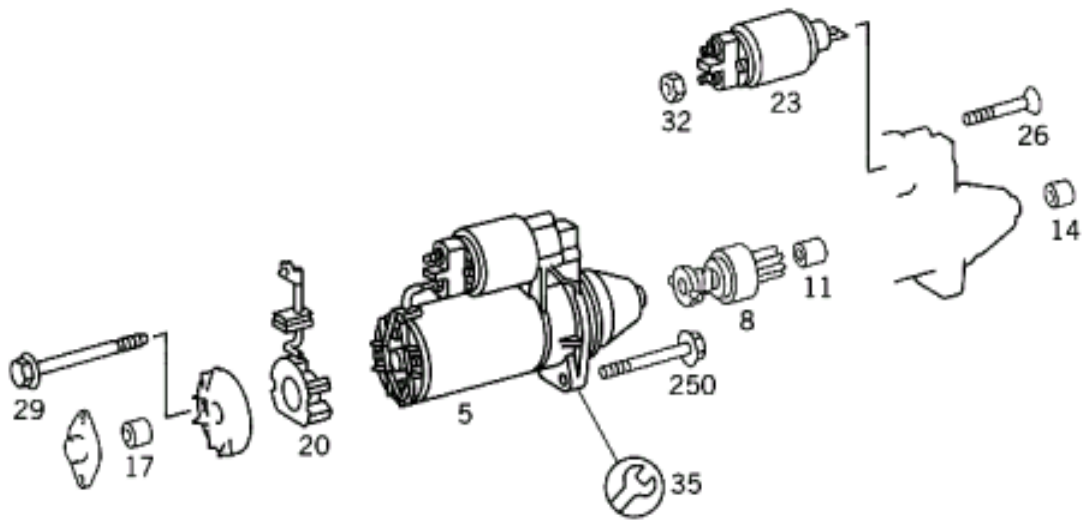
TYP 170



11

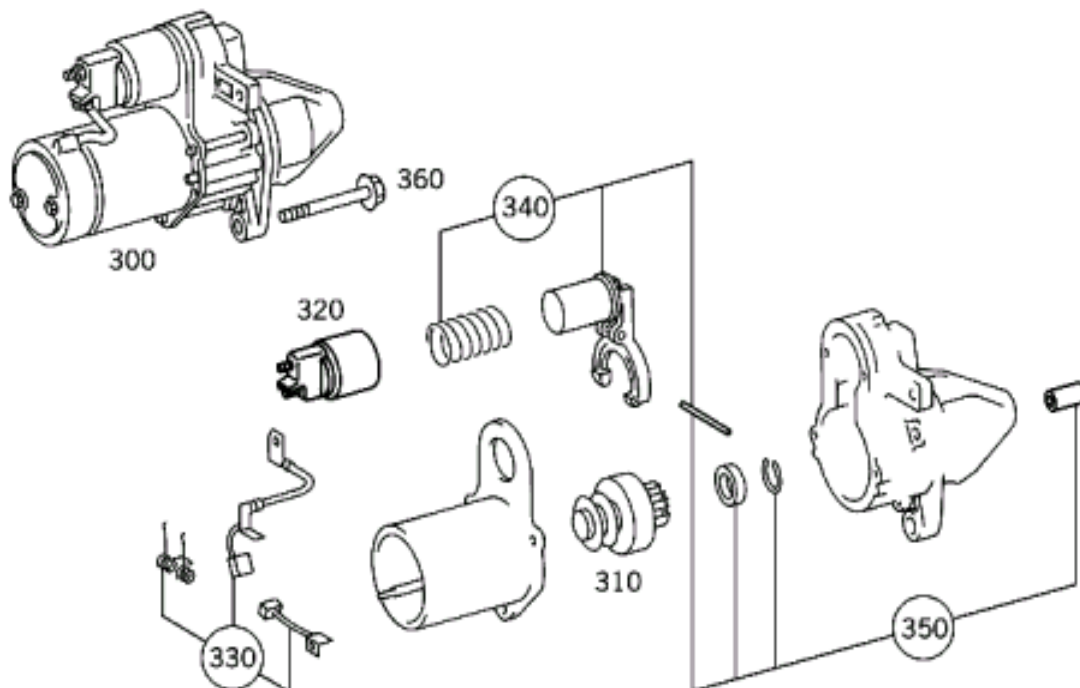
STARTING MOTOR

 **BOSCH**

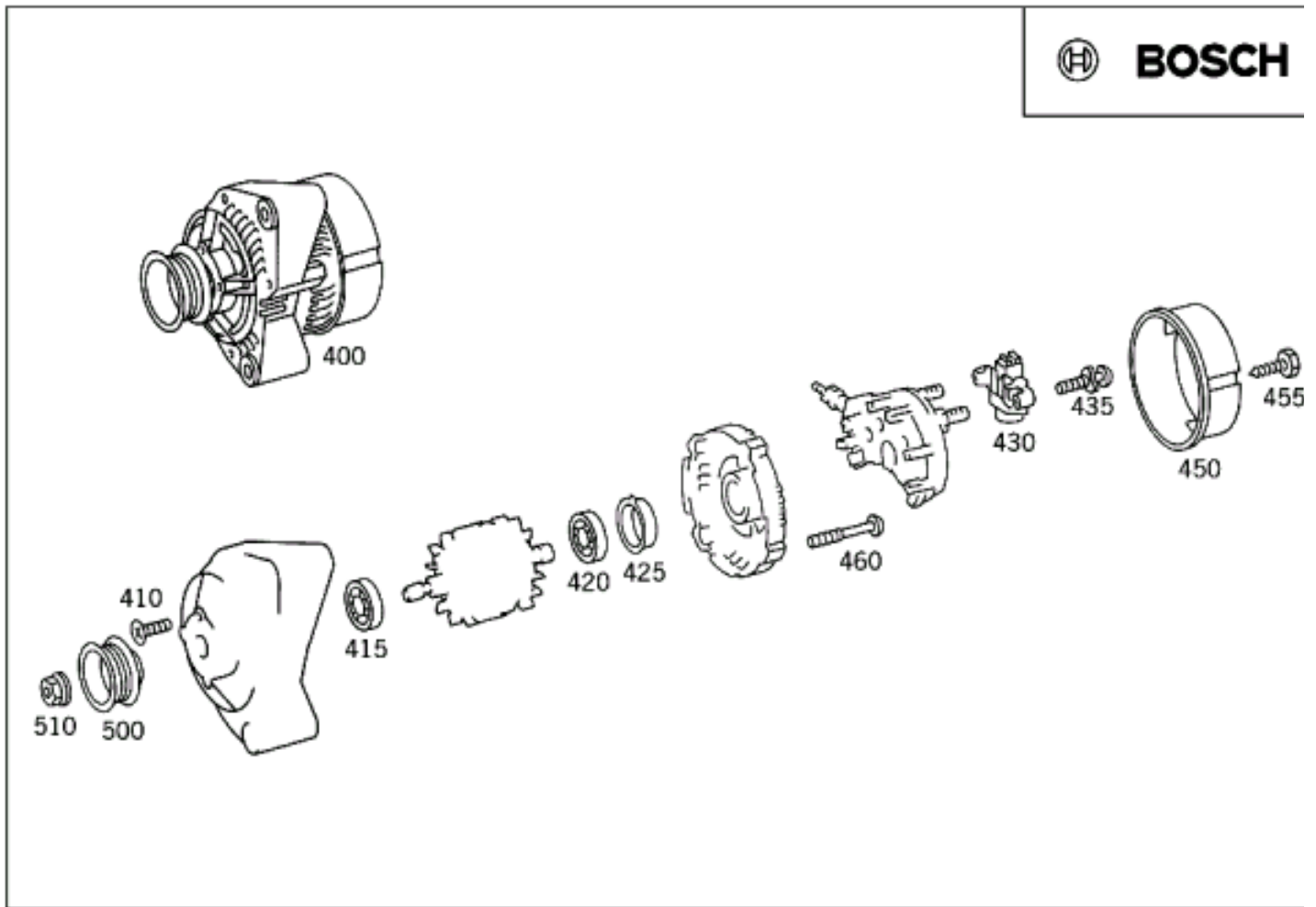


STARTING MOTOR

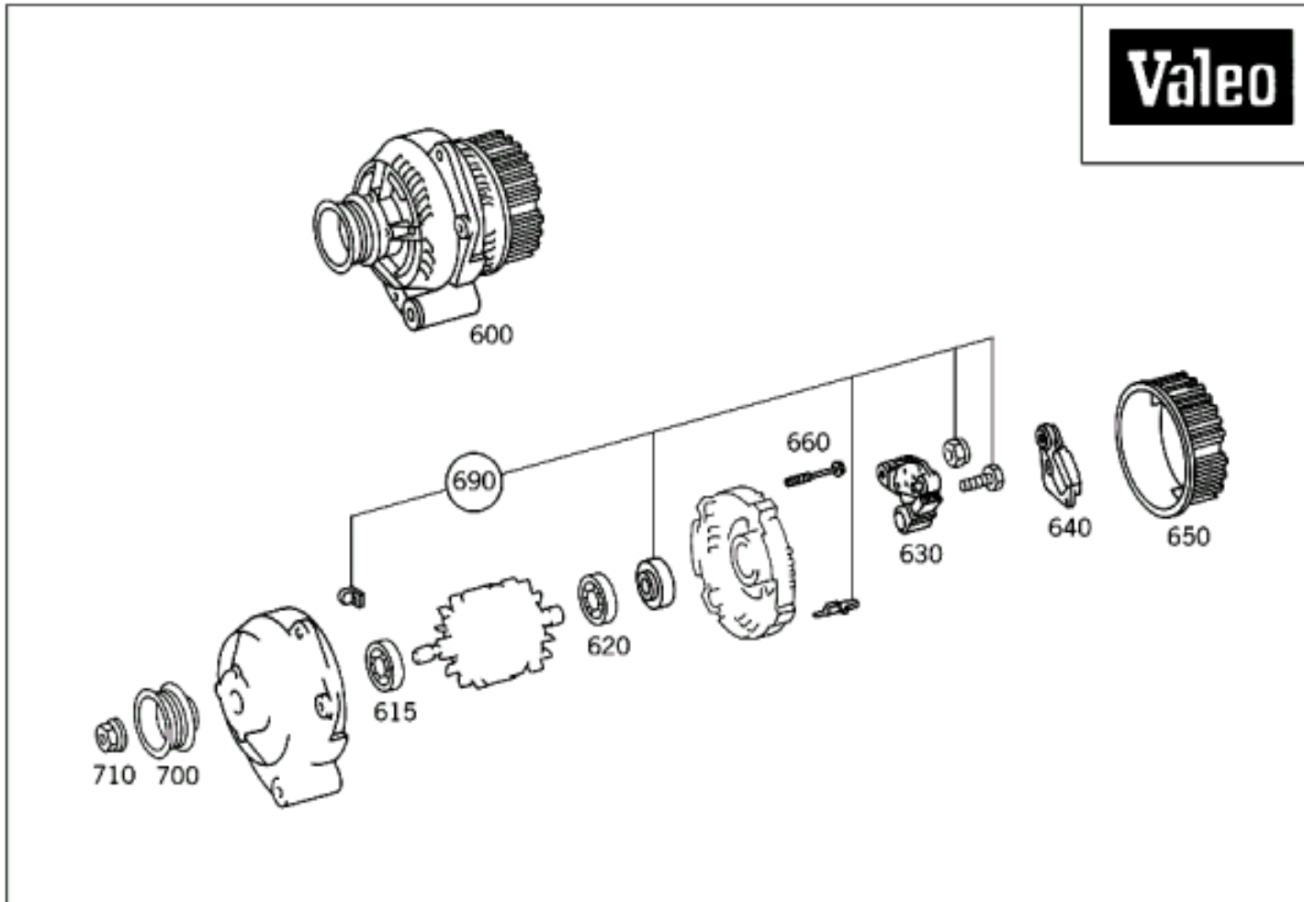
**Valeo**



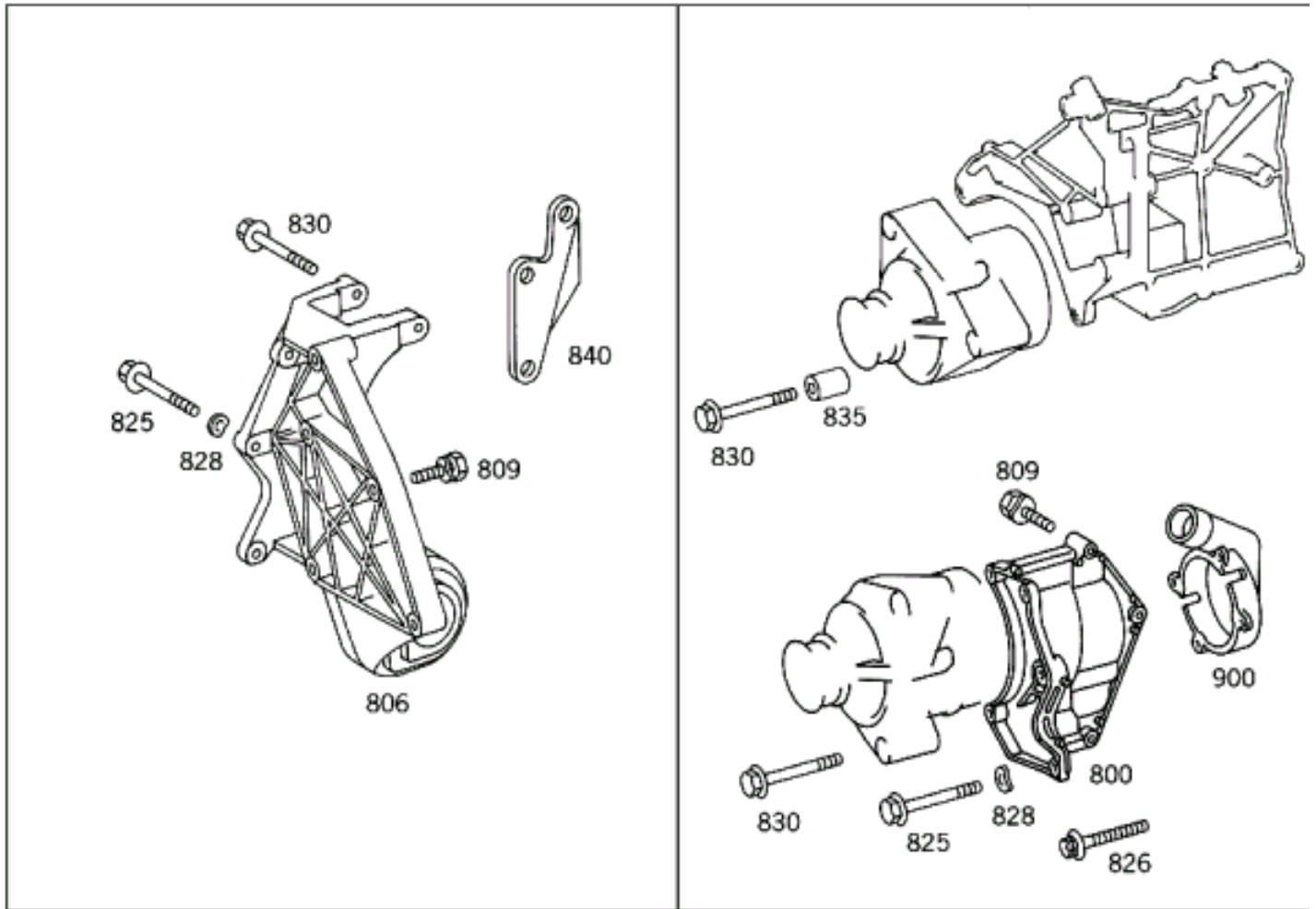
ALTERNATOR



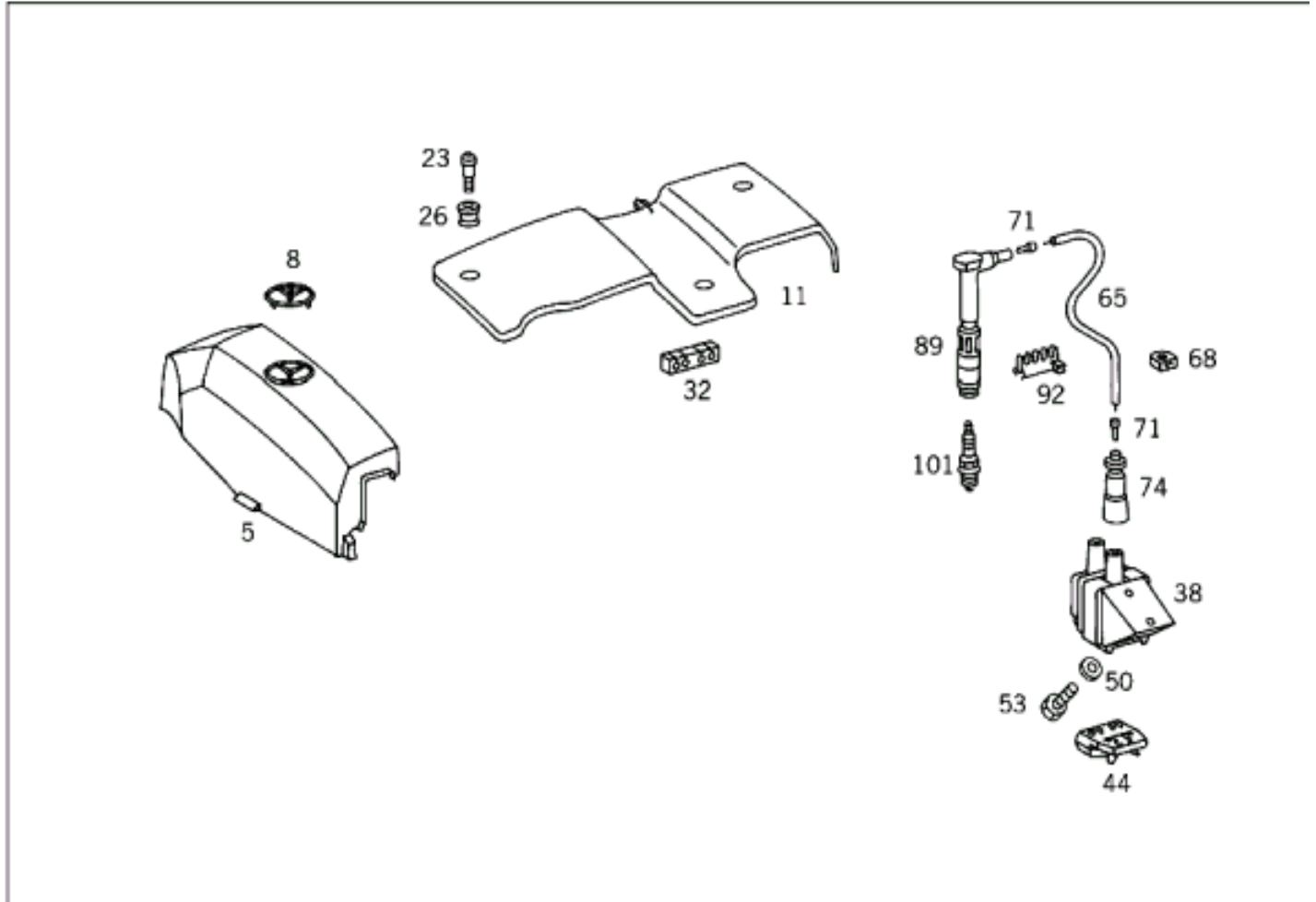
ALTERNATOR



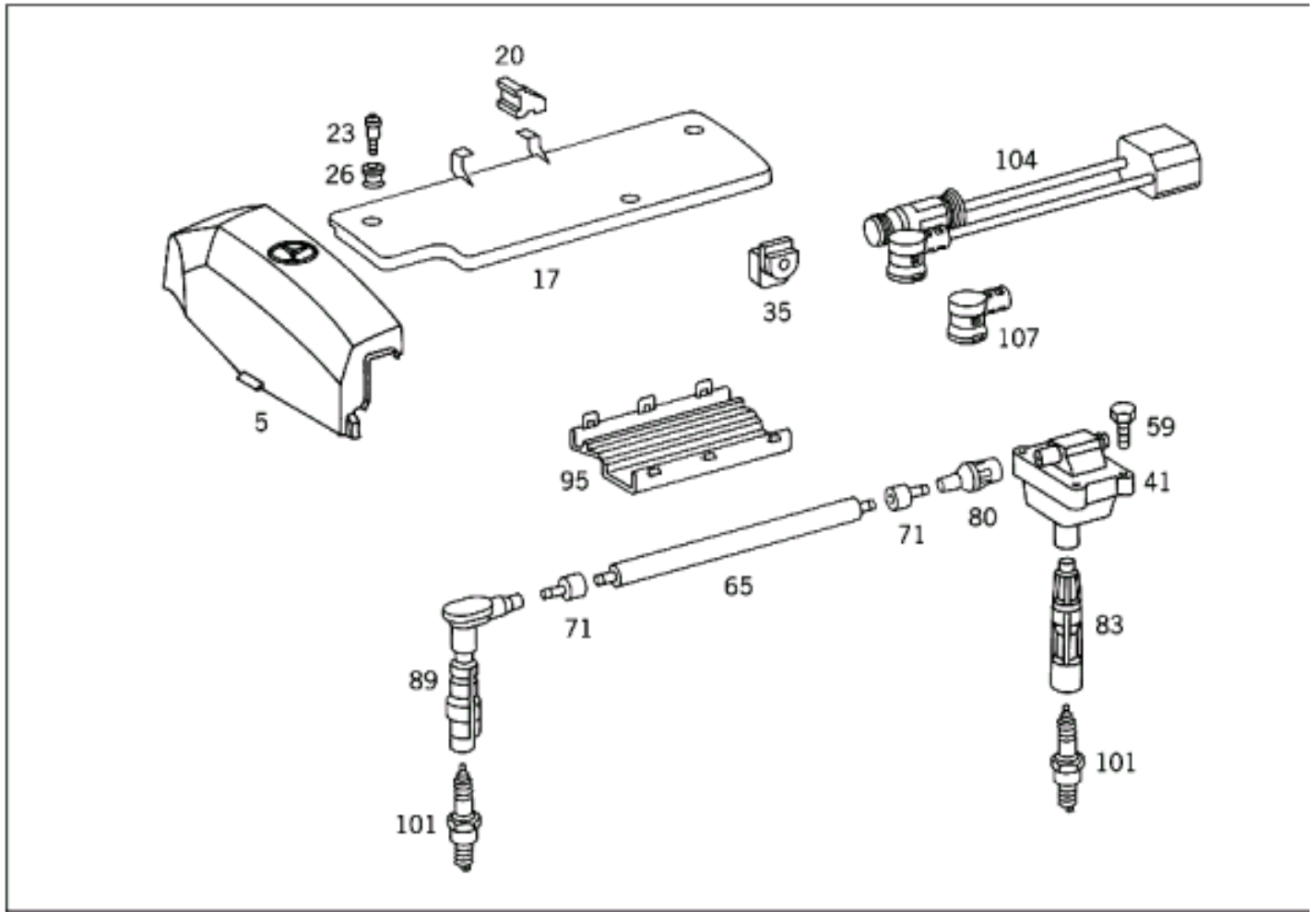
# ALTERNATOR



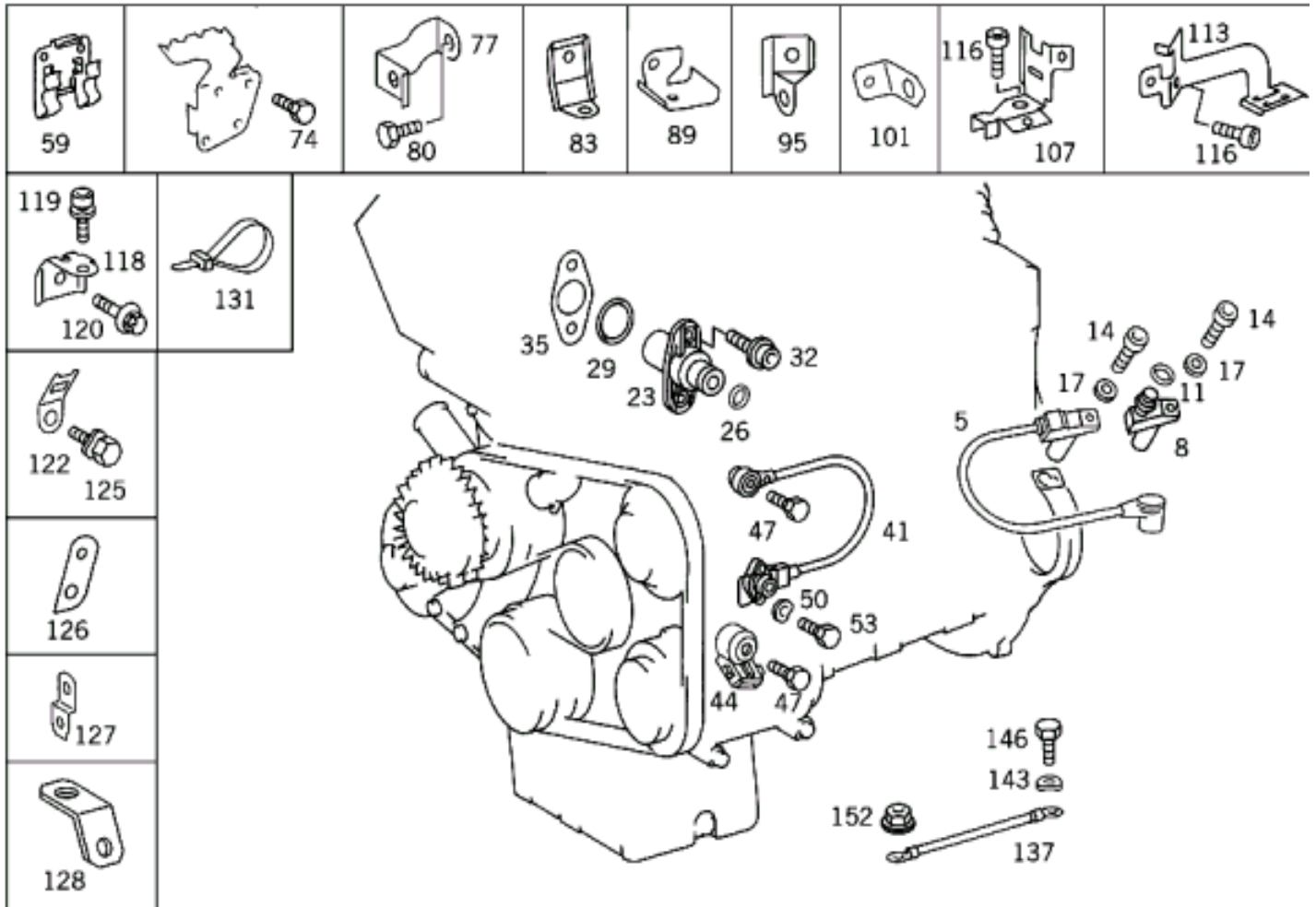
# IGNITION SYSTEM



# IGNITION SYSTEM

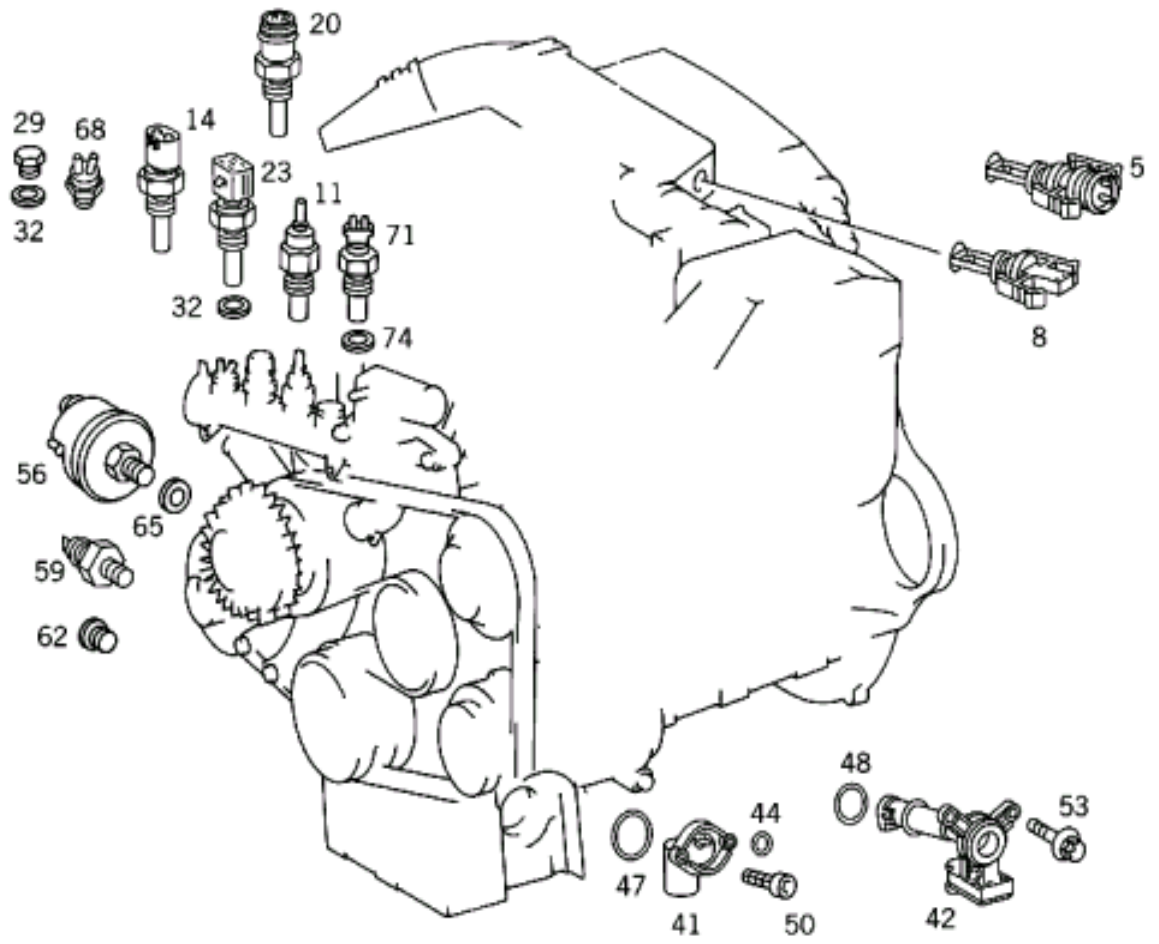


## T.D.C. SENDER UNIT, POSITION SENDER UNIT, KNOCK SENSOR AND GROUND STRAP



SWITCHES, SENDER UNITS, SENSORS

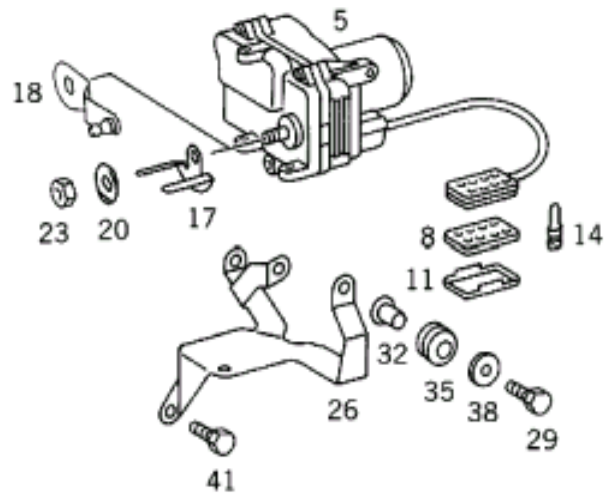
5,8	B 17
11	B 13
20	B11/3
14,23	B11/4
41	S 43
56	B 5
71	B10/8



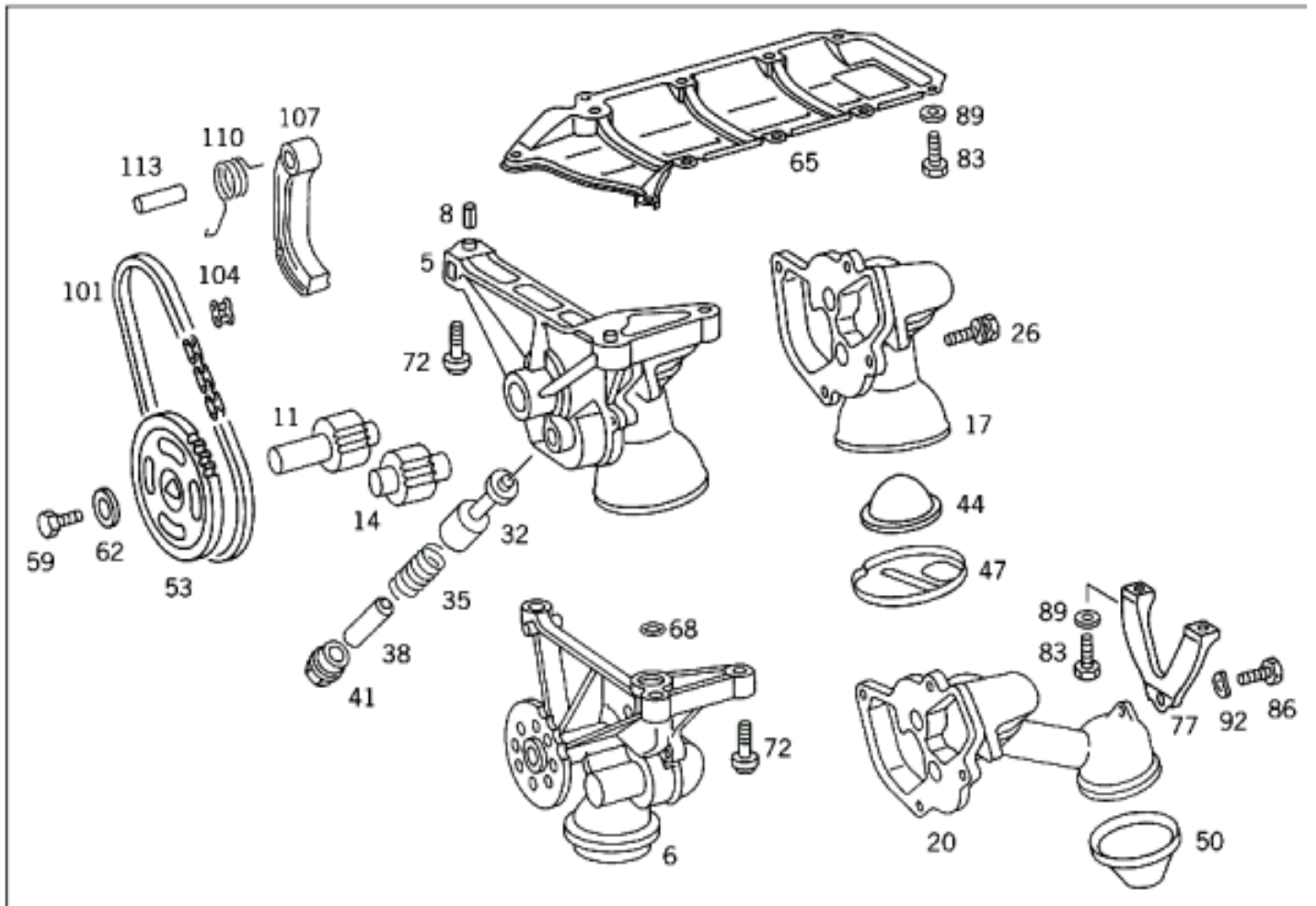
INTAKE MANIFOLD PREHEATING



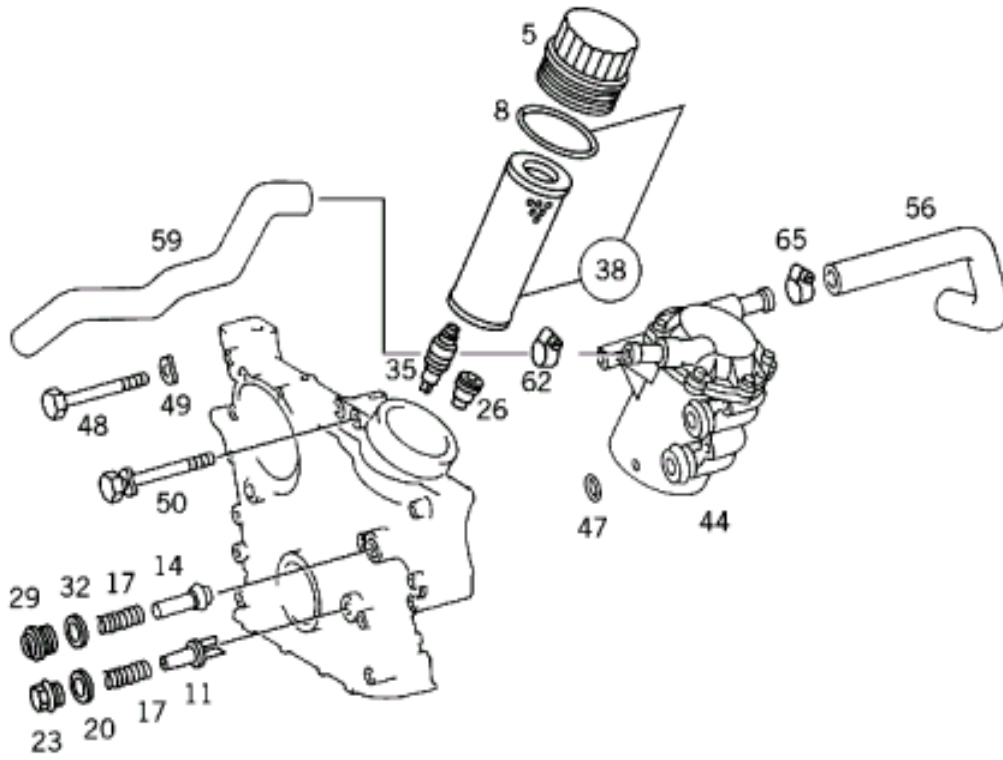
# FINAL CONTROL ELEMENT AND ATTACHMENT



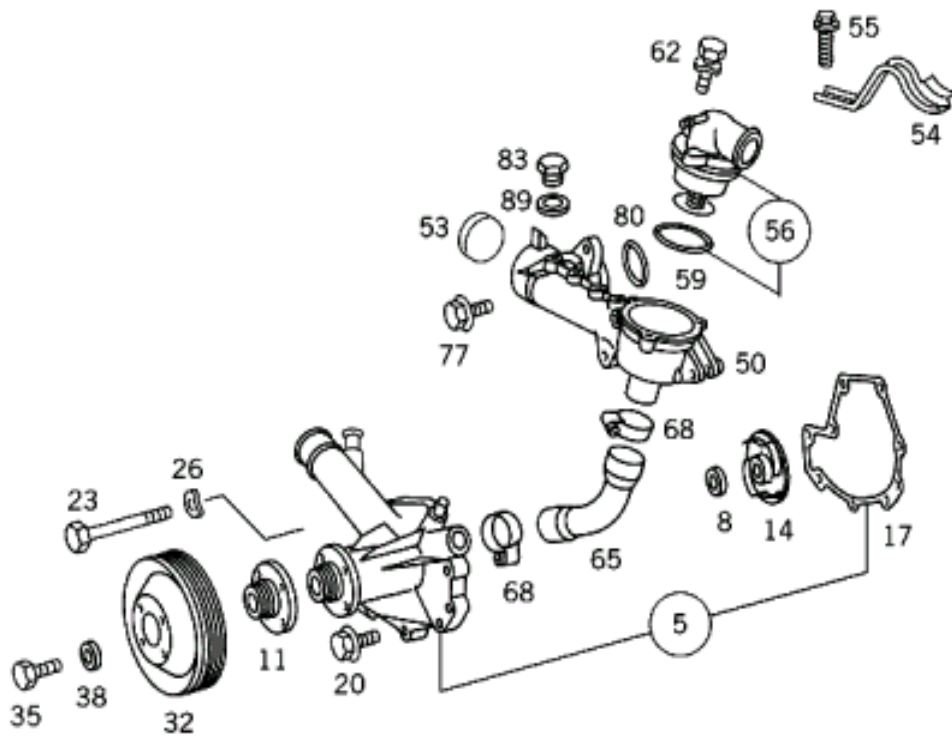
# OIL PUMP



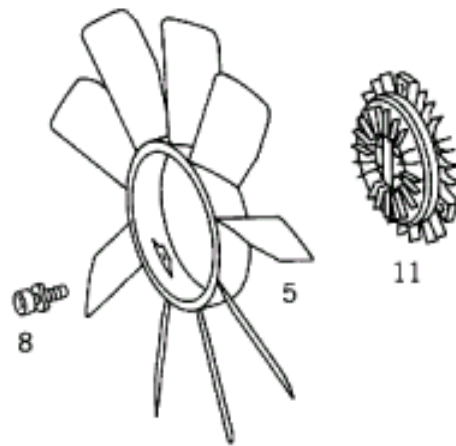
# OIL FILTER



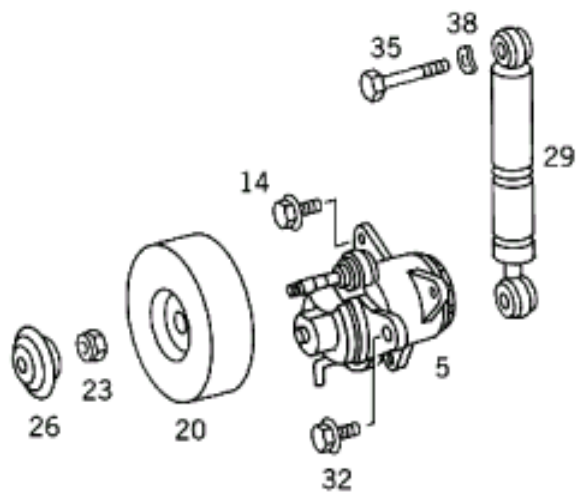
# WATER PUMP



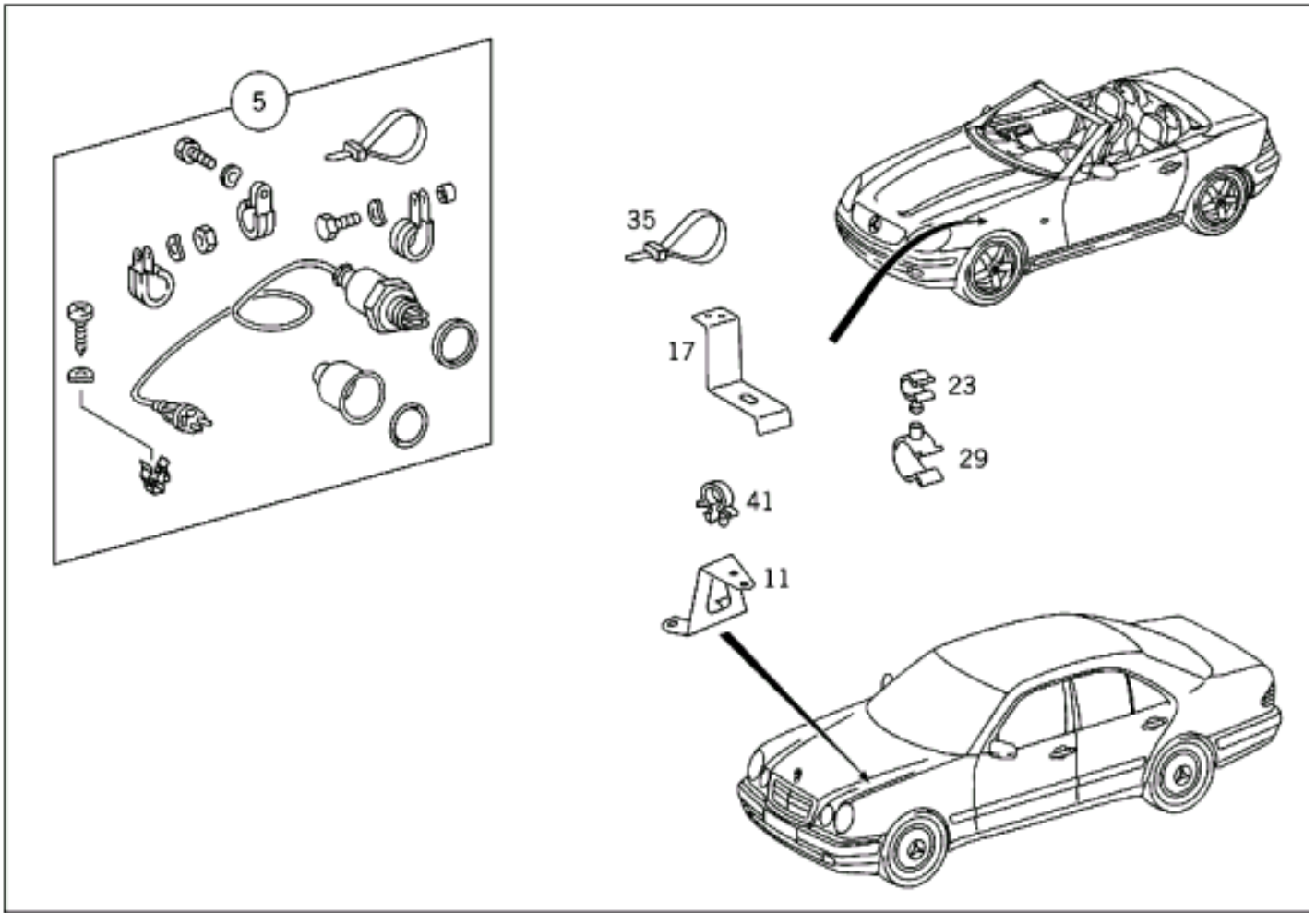
FAN



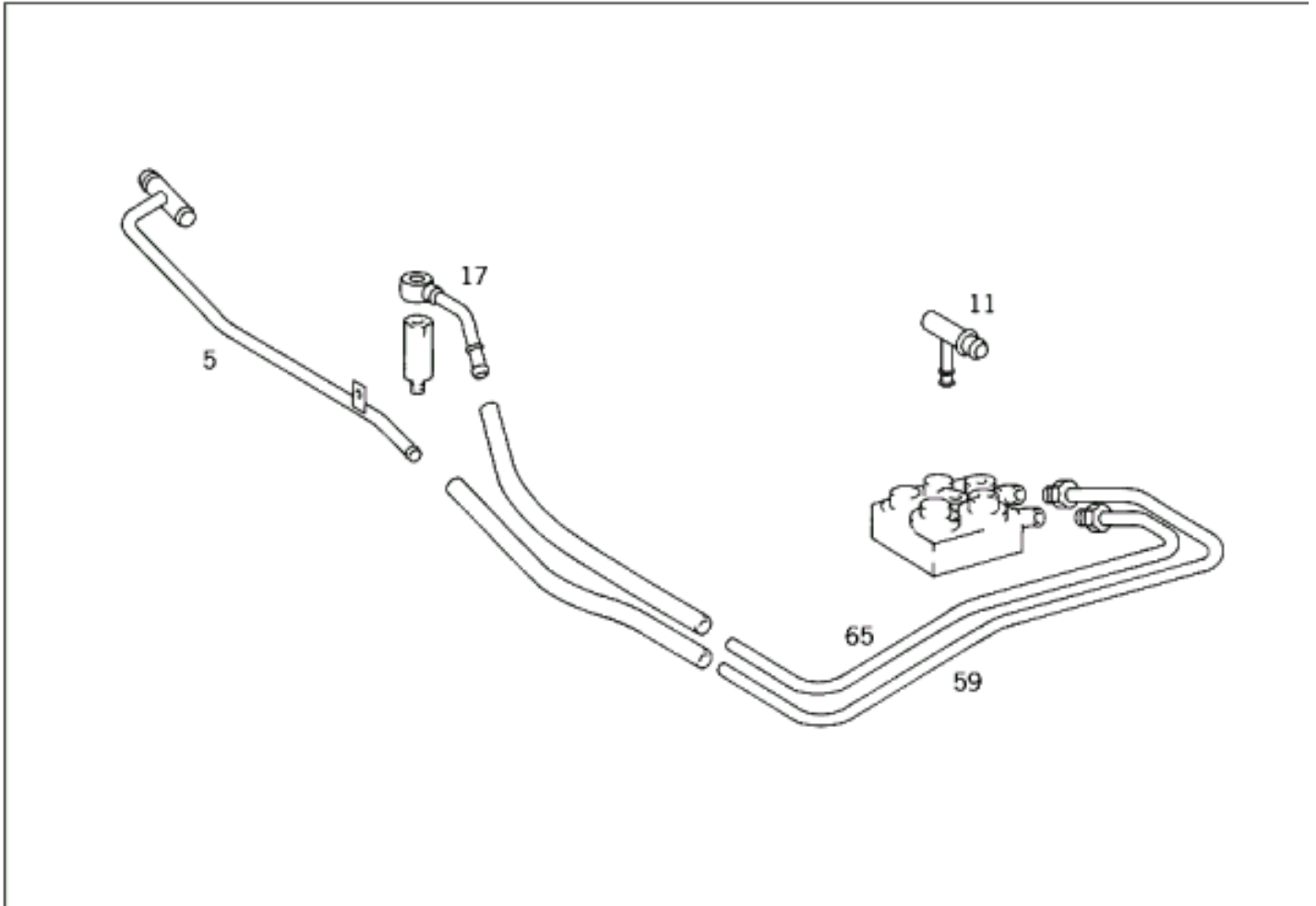
BELT TIGHTENER



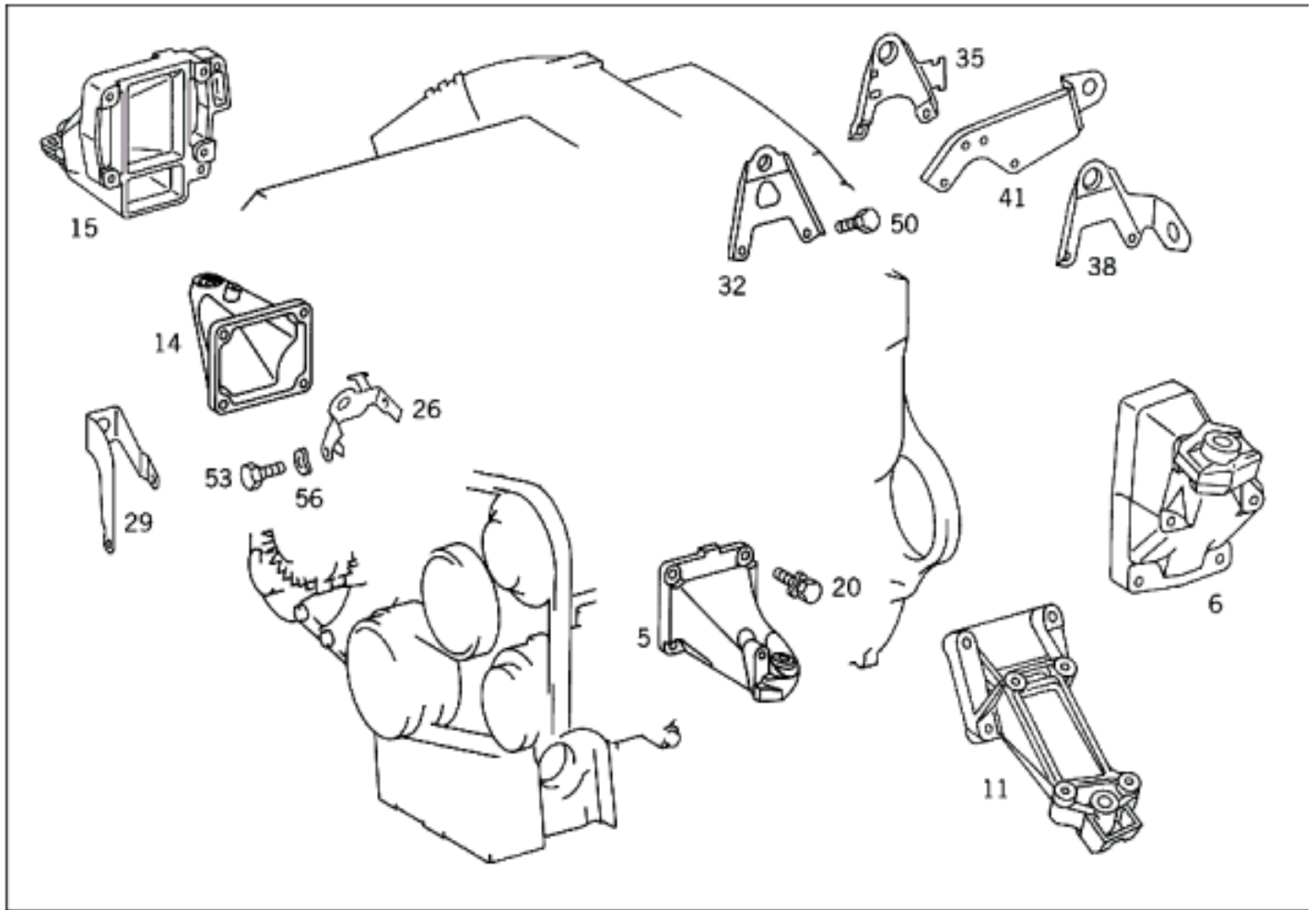
# COOLING WATER PER-HEATER



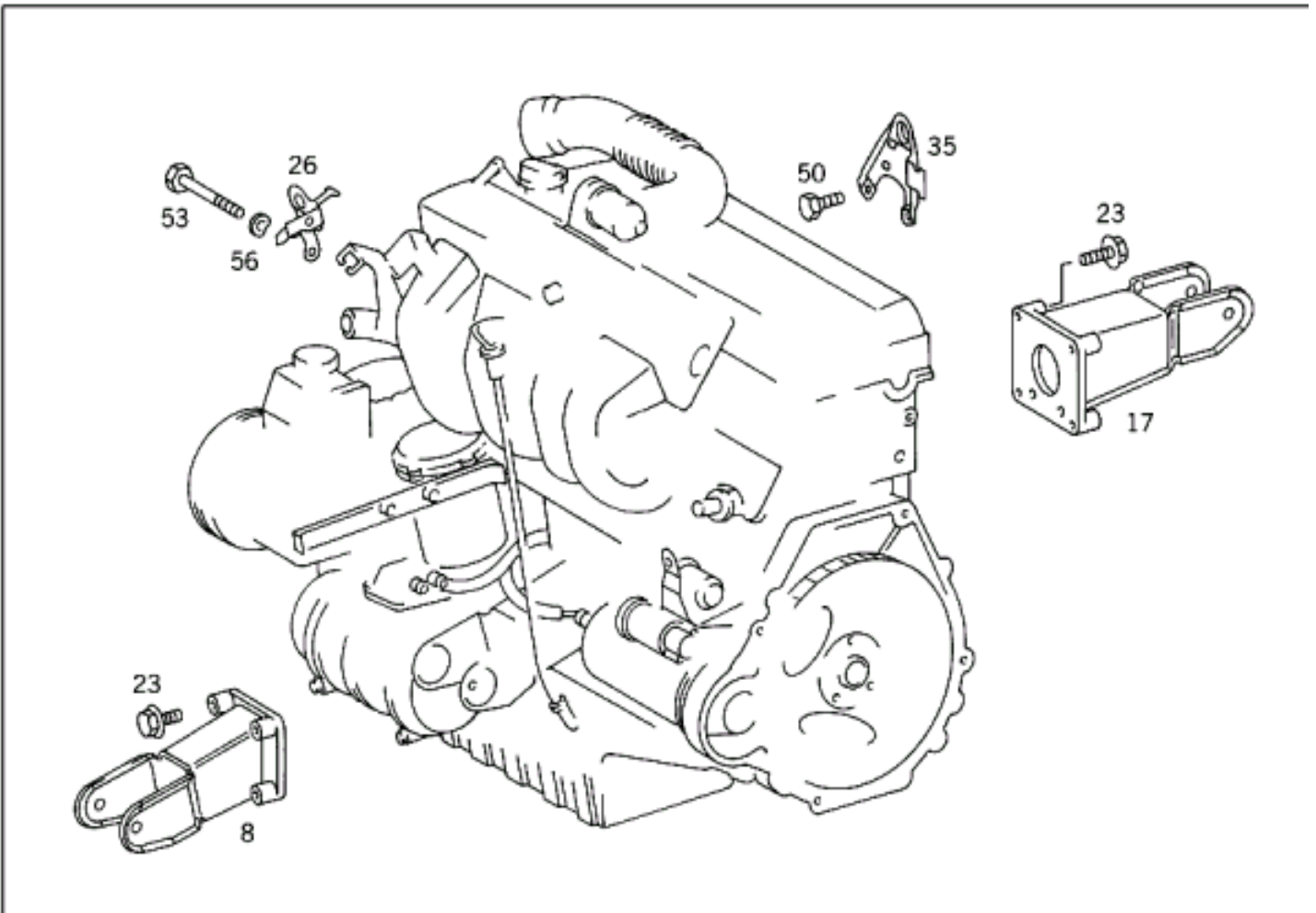
# ADDITIONAL PARTS FOR GAS OPERATION



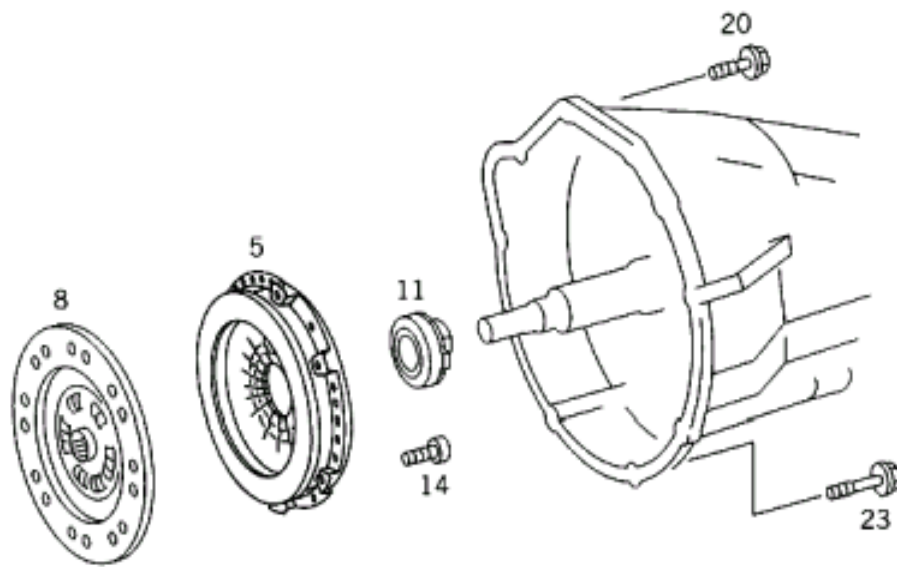
ENGINE SUPPORTS AND ATTACHMENT PARTS



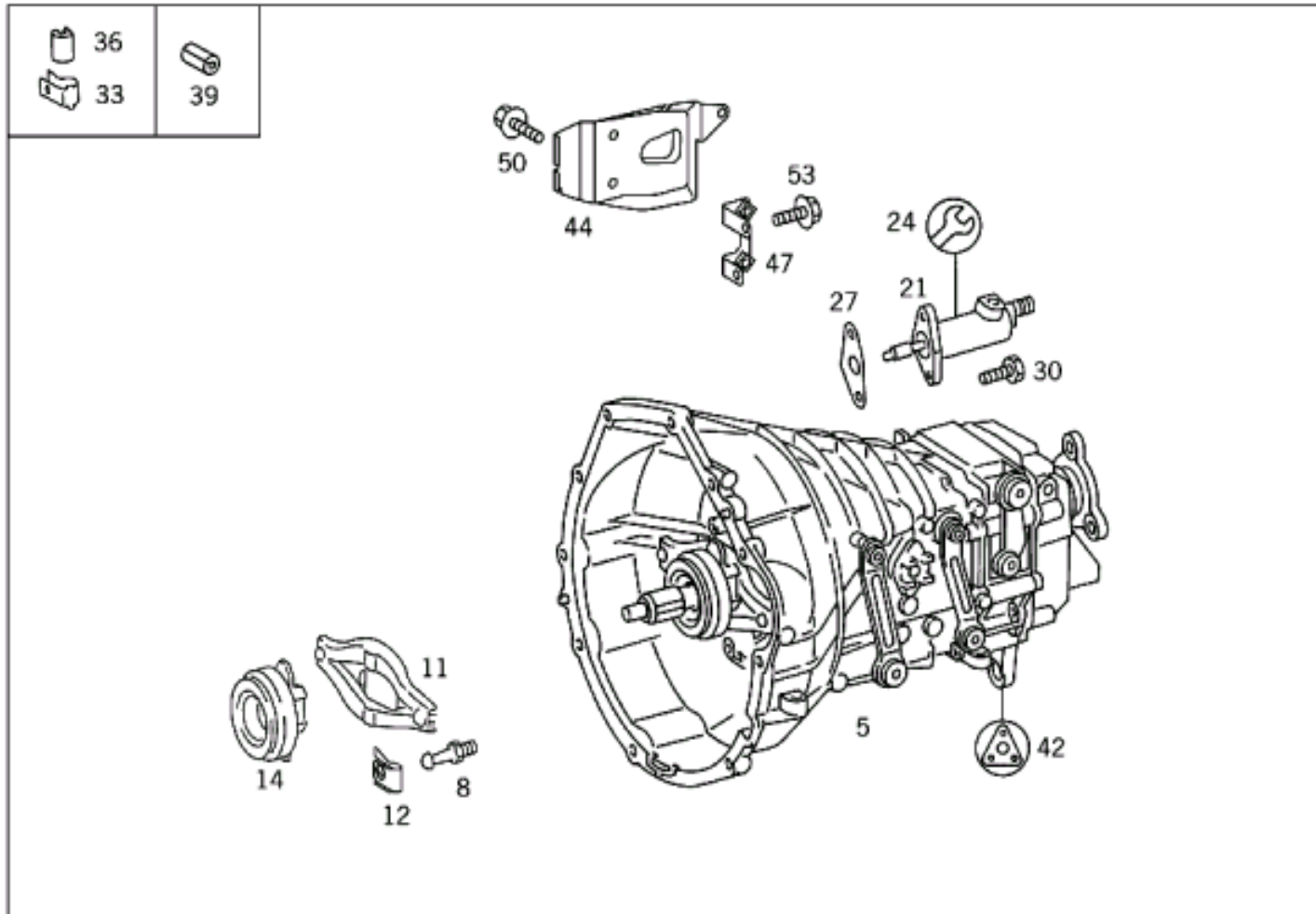
ENGINE SUPPORTS AND ATTACHMENT PARTS



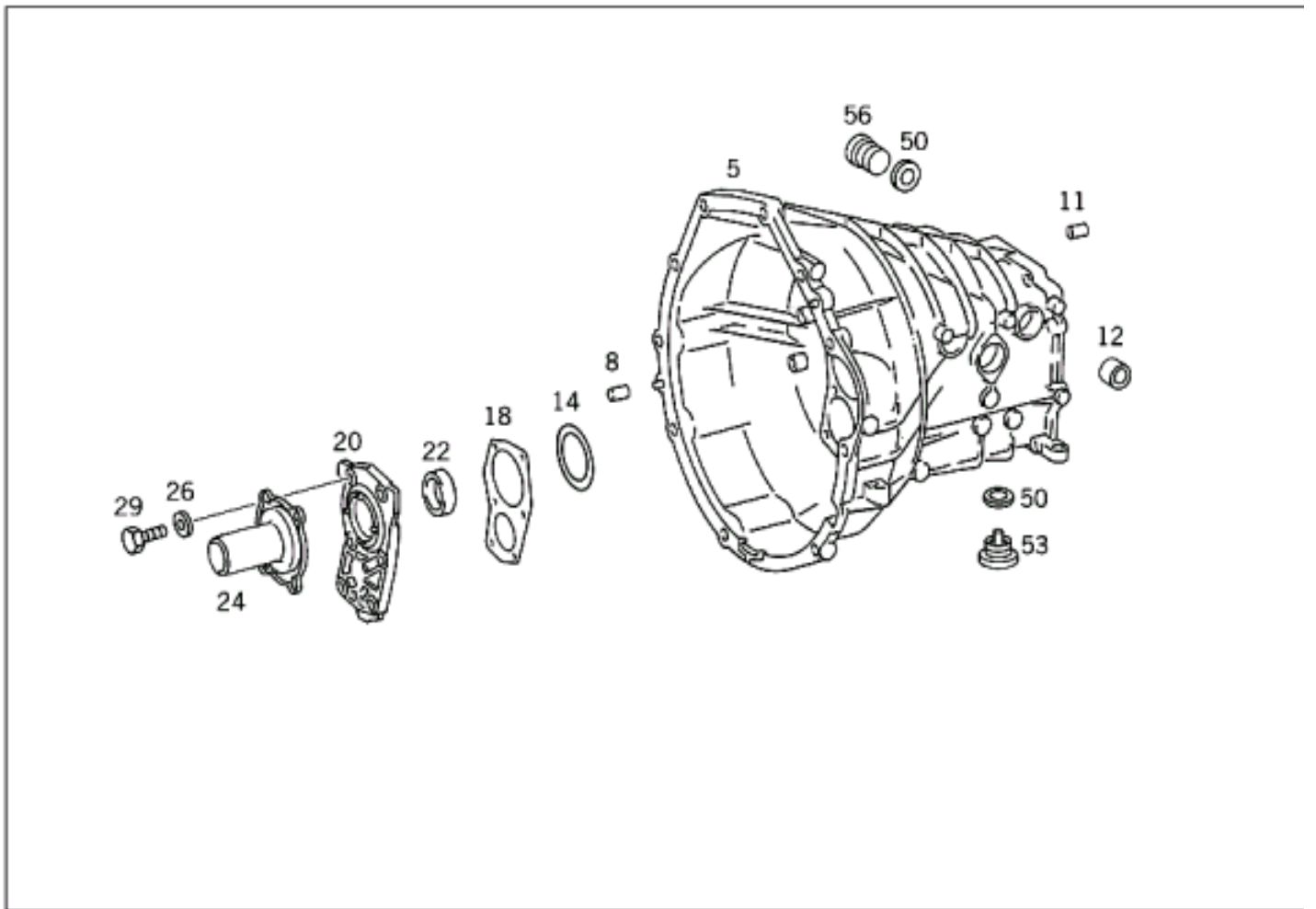
# CLUTCH



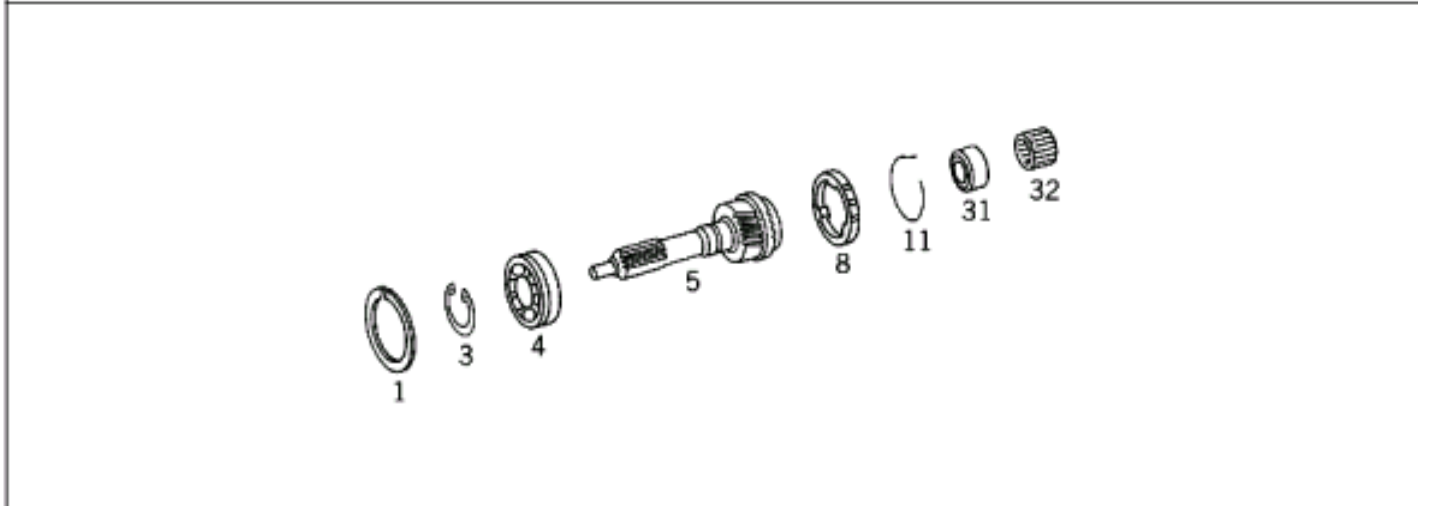
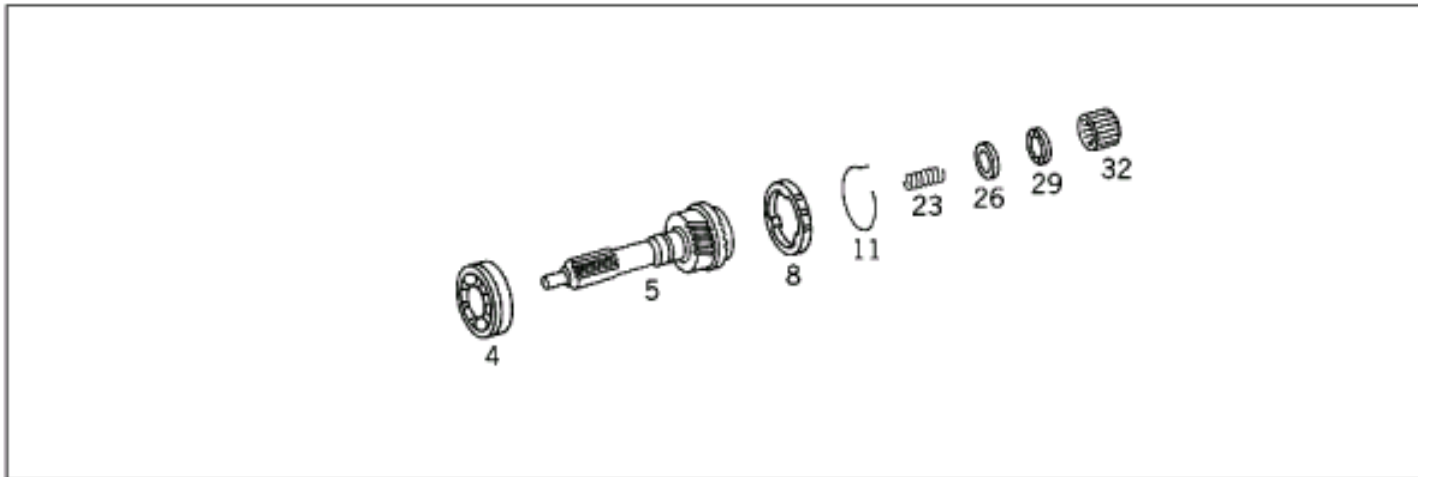
# TRANSMISSION ASSEMBLY WITH RELEASE BEARING SLAVE CYLINDER GASKET KIT



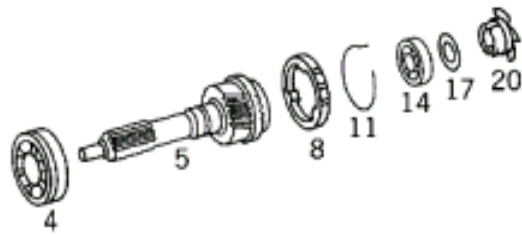
# TRANSMISSION CASE FRONT COVER



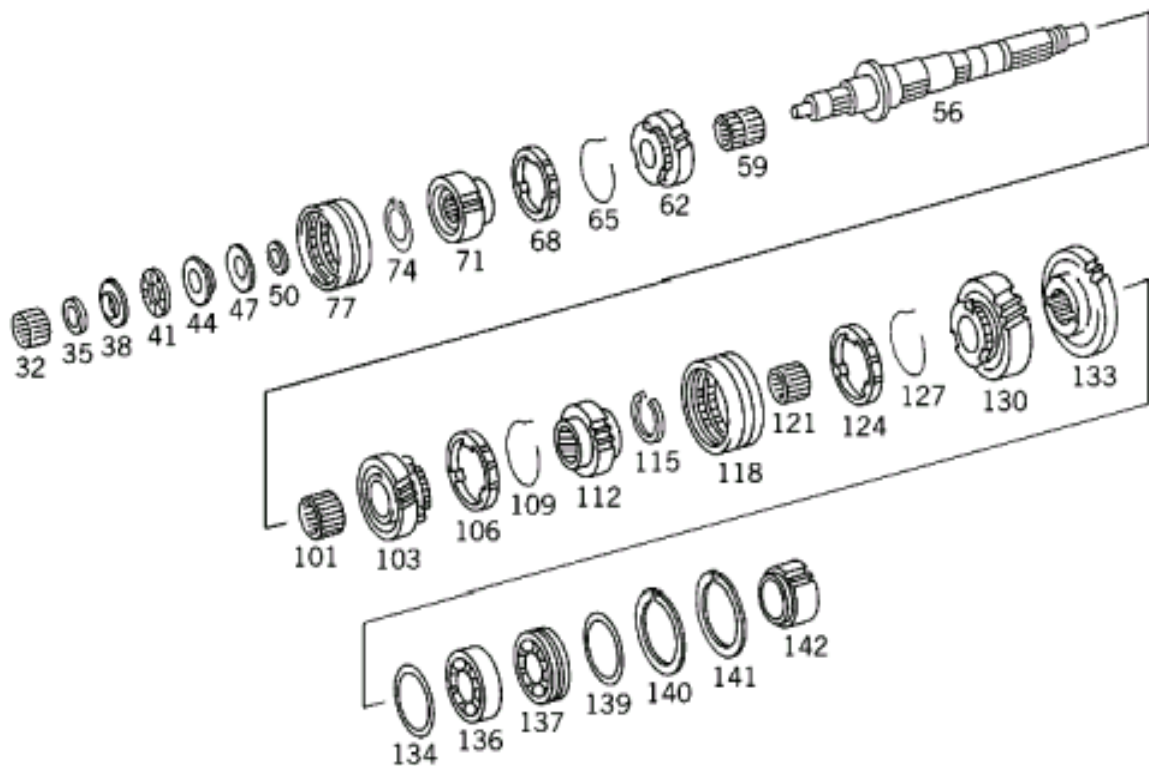
# TRANSMISSION SHAFTS AND GEARS



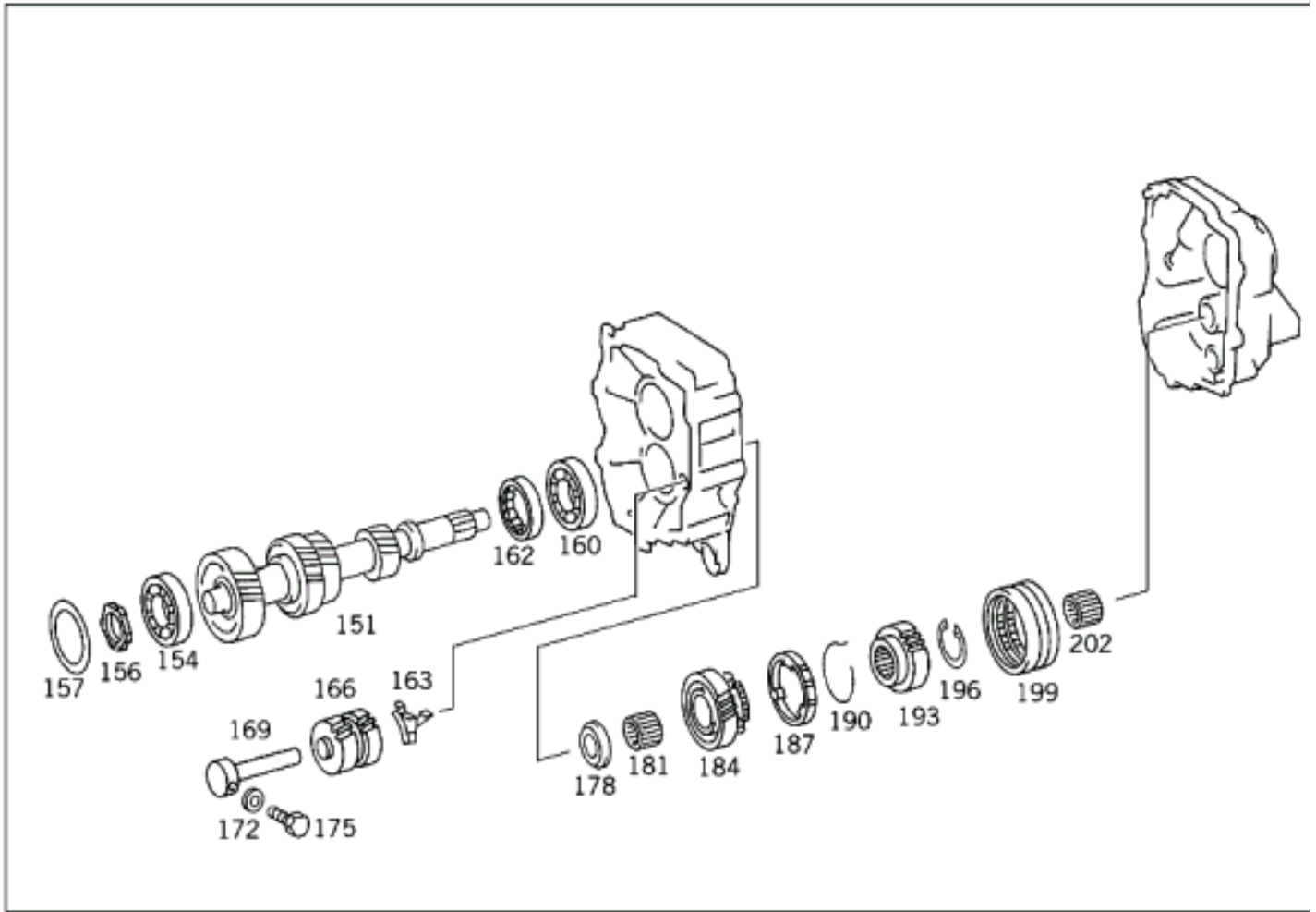
# TRANSMISSION SHAFTS AND GEARS



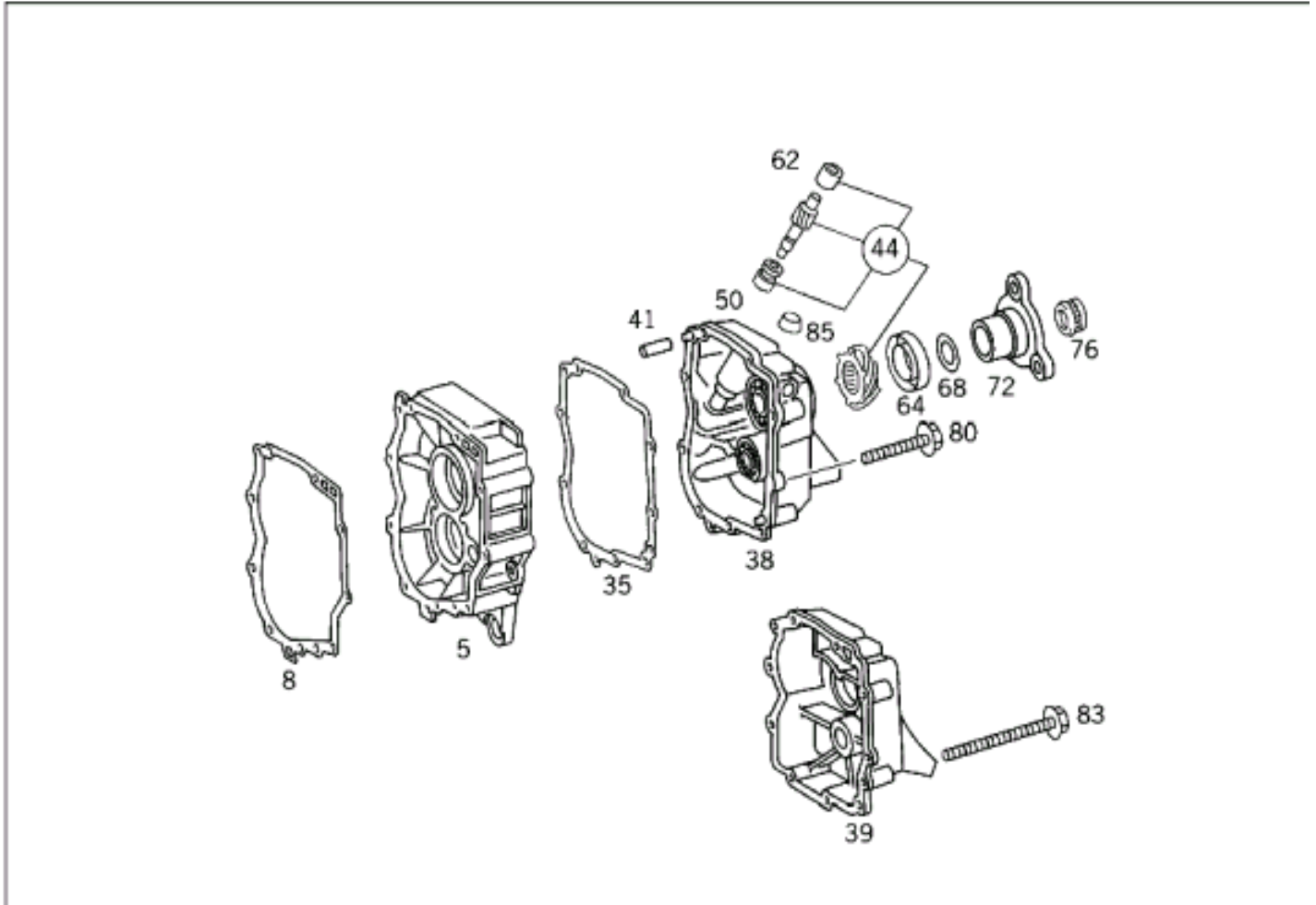
# TRANSMISSION SHAFTS AND GEARS



# TRANSMISSION SHAFTS AND GEARS



# INTERMEDIATE PIECE, REAR COVER, JOINT FLANGE



SHIFTING FORK, SWINGING LINK, SHIFT LEVER

